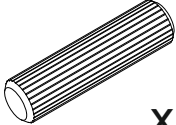
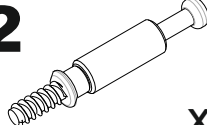
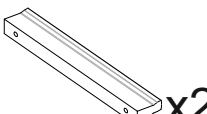
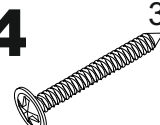
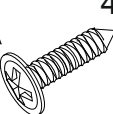
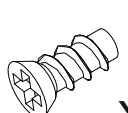




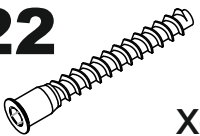

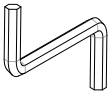
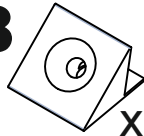

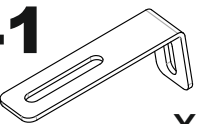

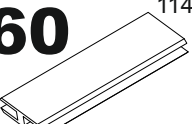
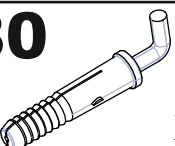
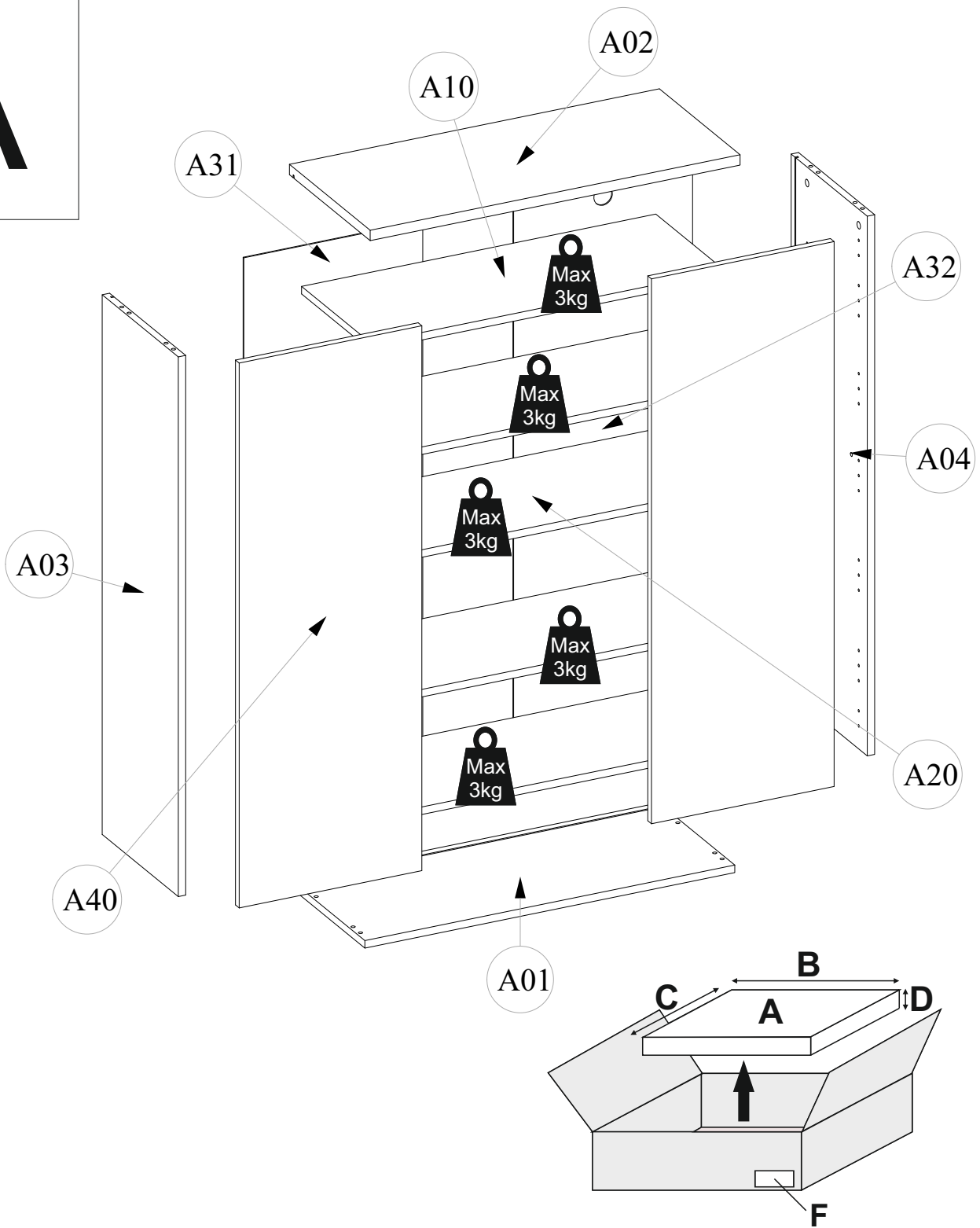


- | | | | | |
|--|---|---|--|---|
| 1  x12 | 2  x8 | 3  x2 | 4  3.5x30 x4 | 4A  4x16 x5 |
| 6  5x11 x12 | 9  ø15 x8 | 9A  x8 | 10  x4 | 13  x16 |
| 22  x4 | 22A  x4 | 26  x1 | 38  x16 | 39  3x20 x22 |
| 41  x1 | 54  ø35 x6 | 60  1144mm x1 | 80  x1 | |

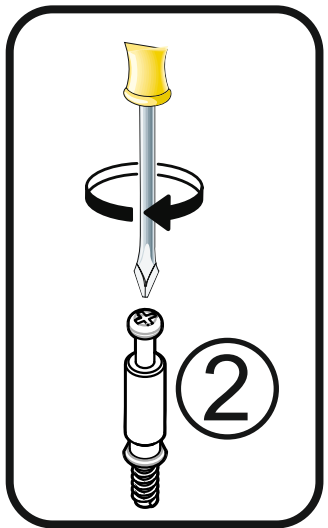
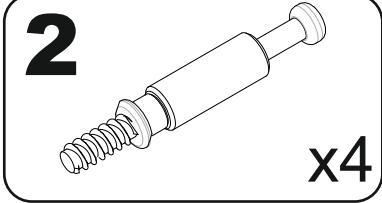
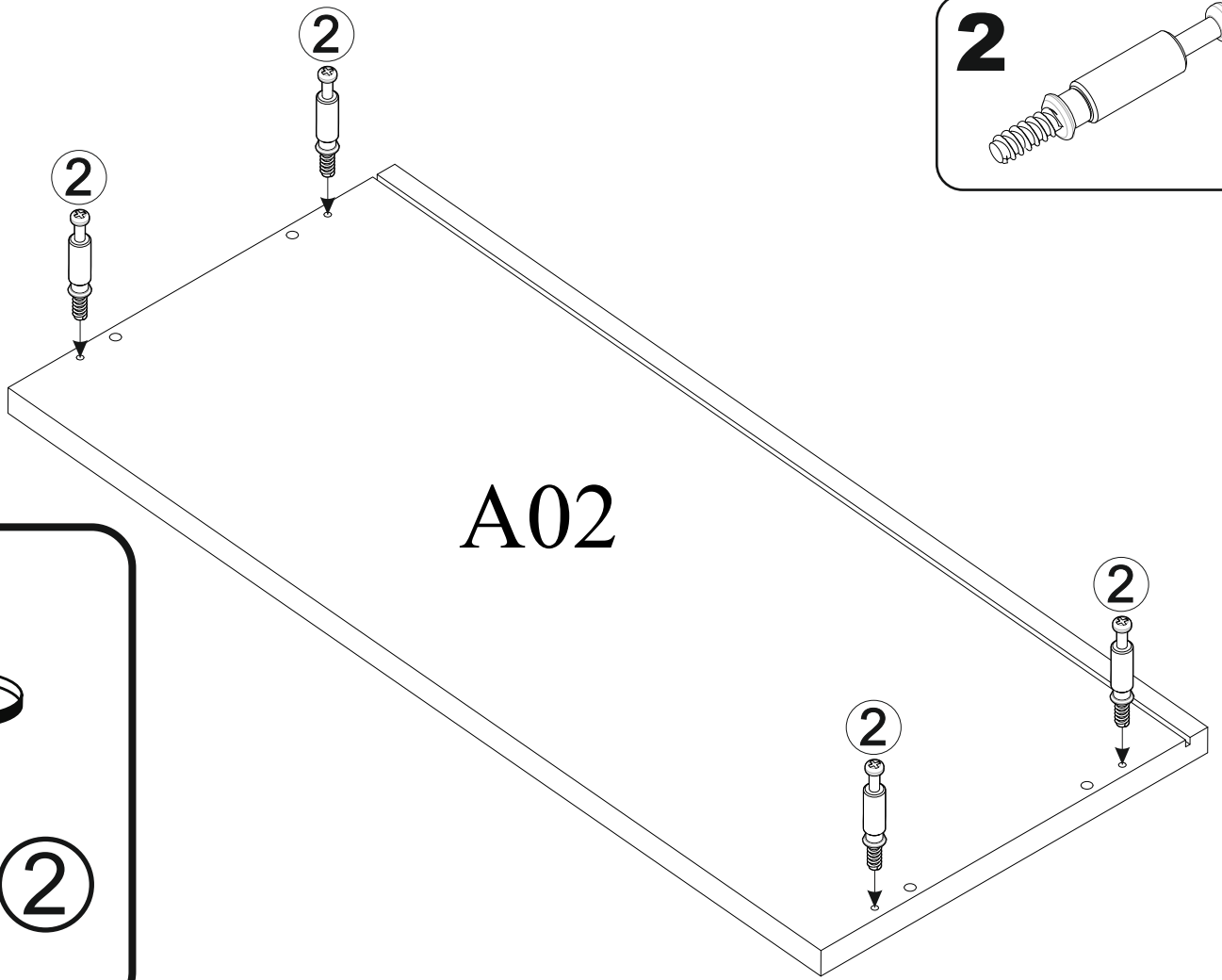


A

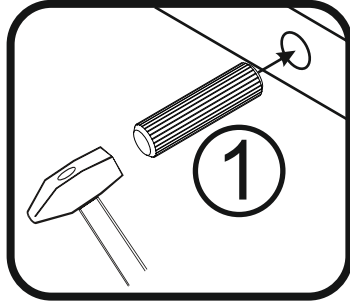
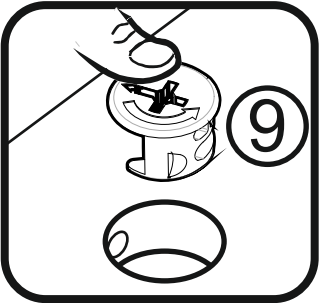
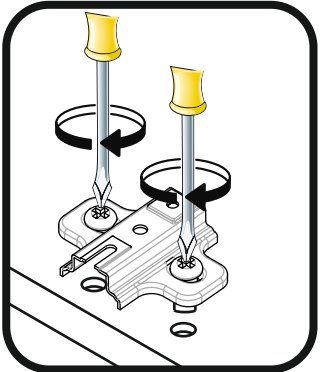
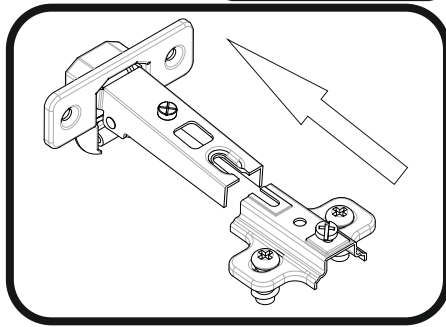
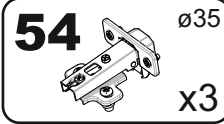
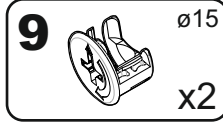
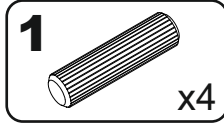
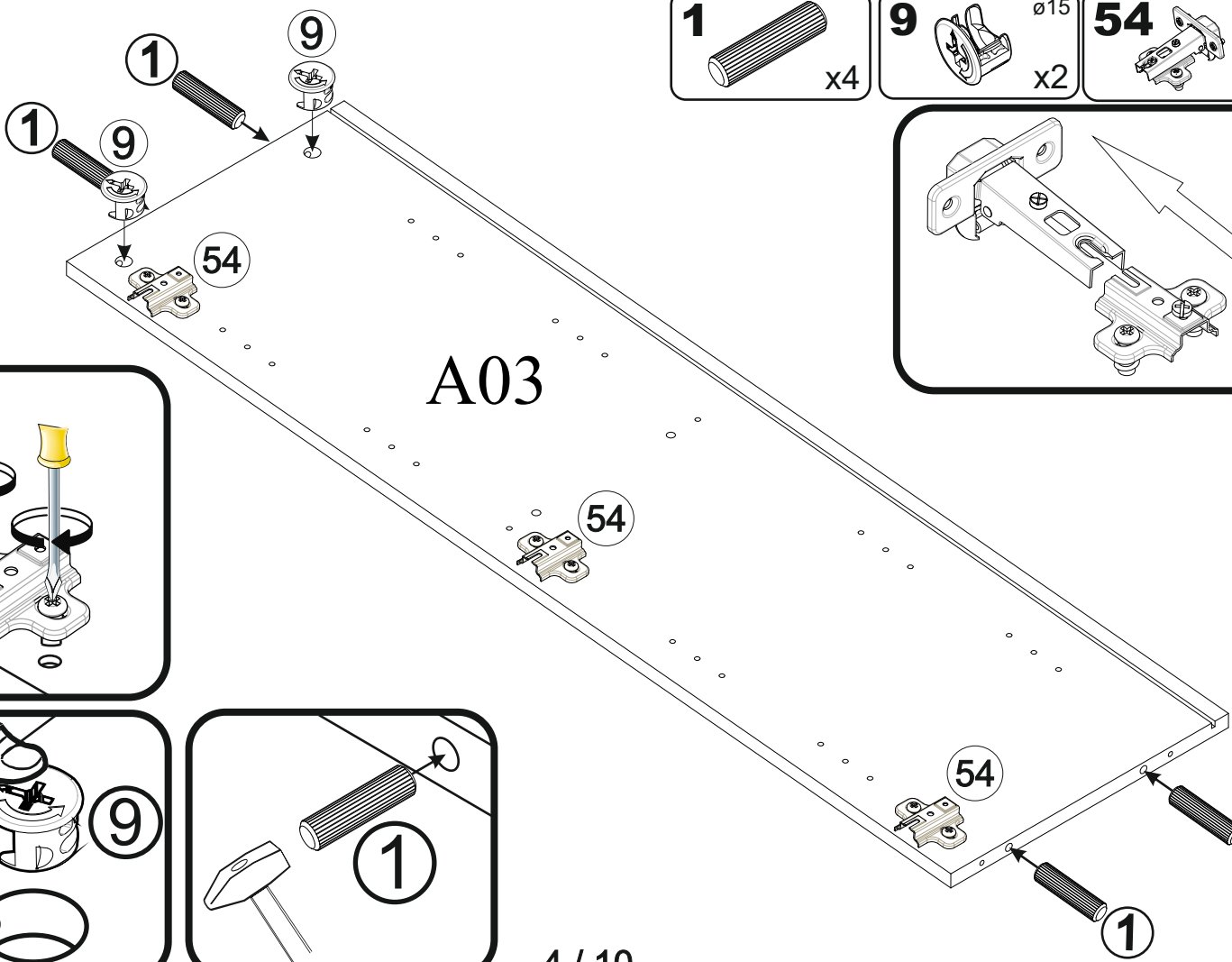


| A | B_(mm) | C_(mm) | D_(mm) | E | F |
|-----|--------|--------|--------|---|-----|
| A01 | 802 | 330 | 16 | 1 | 1 2 |
| A02 | 802 | 350 | 22 | 1 | 1 2 |
| A03 | 1146 | 330 | 16 | 1 | 2 2 |
| A04 | 1146 | 330 | 16 | 1 | 2 2 |
| A10 | 768 | 300 | 16 | 4 | 1 2 |
| A20 | 768 | 310 | 16 | 1 | 1 2 |
| A31 | 1156 | 388 | 3 | 1 | 2 2 |
| A32 | 1156 | 388 | 3 | 1 | 2 2 |
| A40 | 1157 | 396 | 16 | 2 | 2 2 |

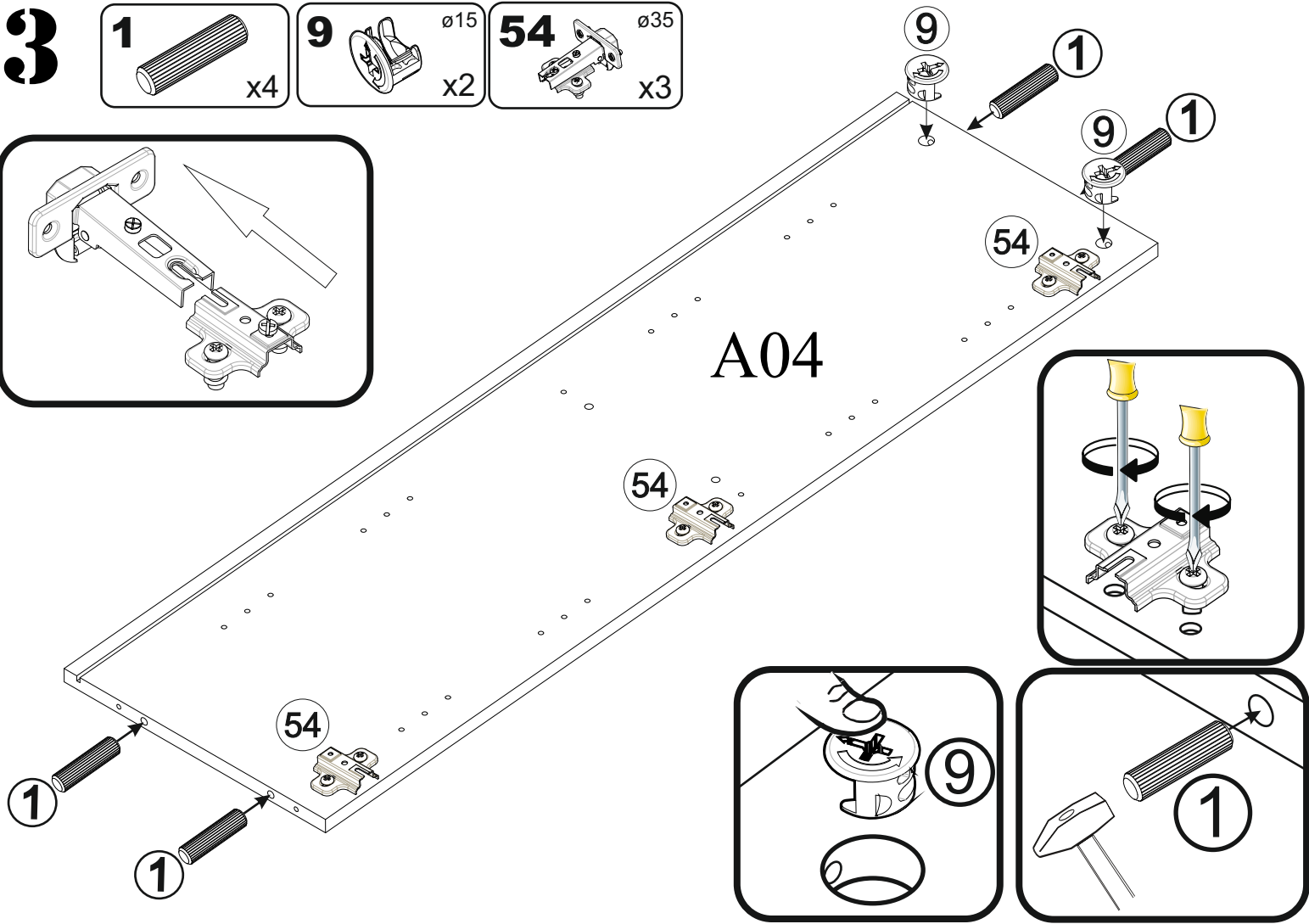
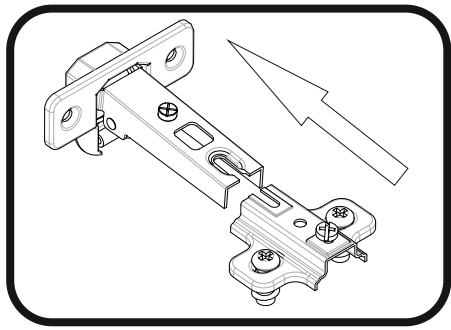
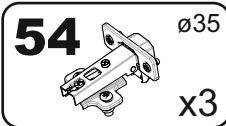
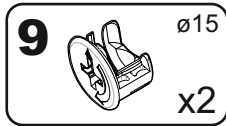
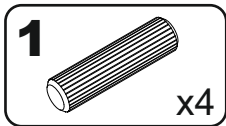
1



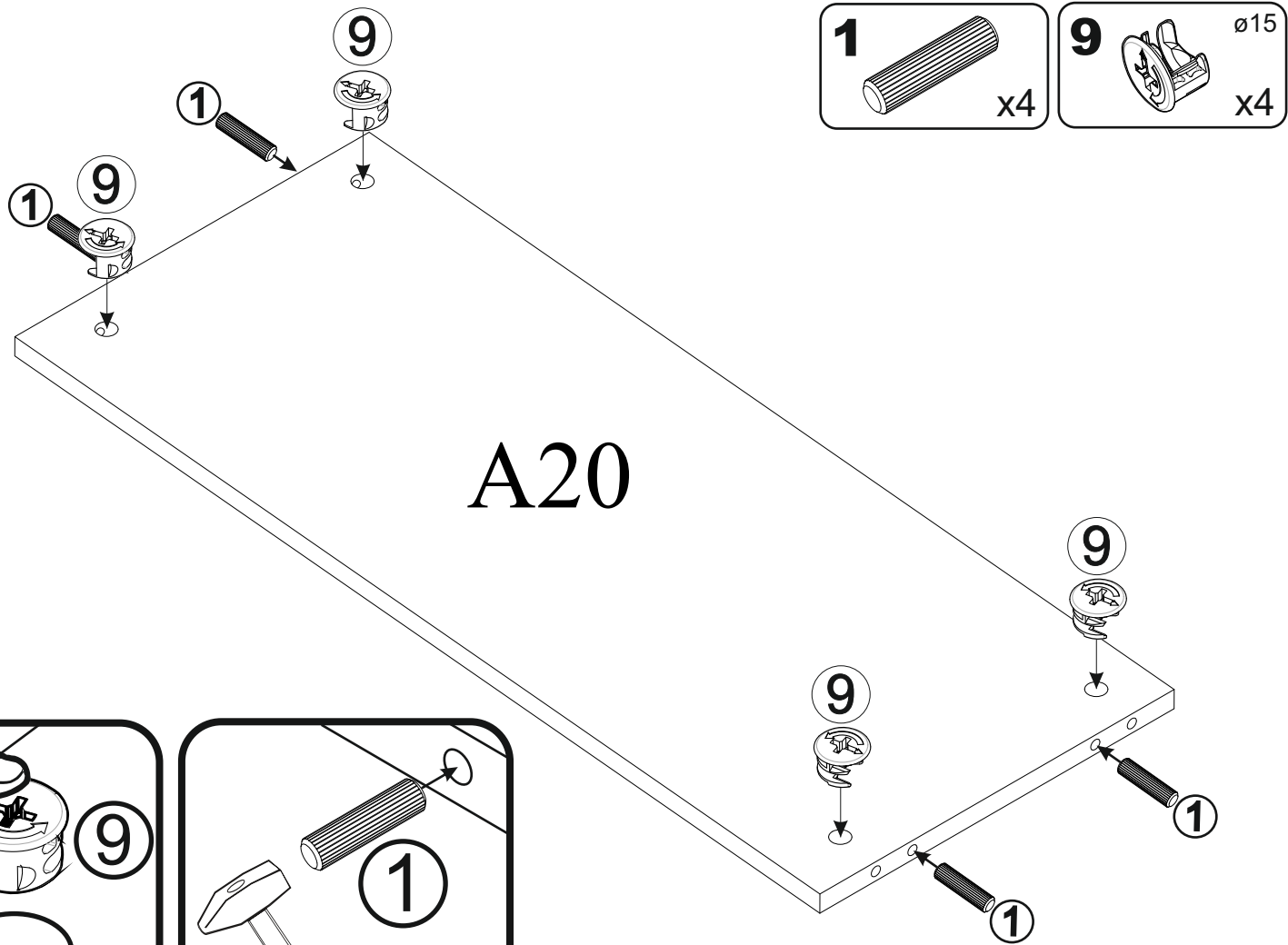
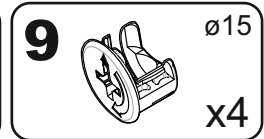
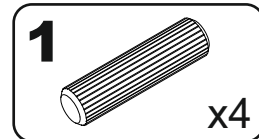
2



3

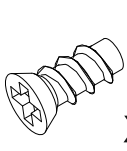


4

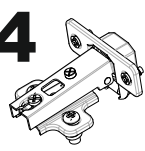
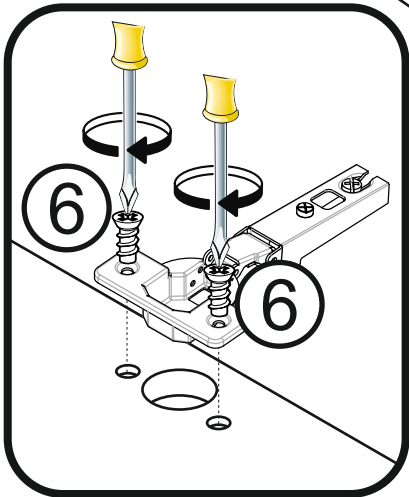
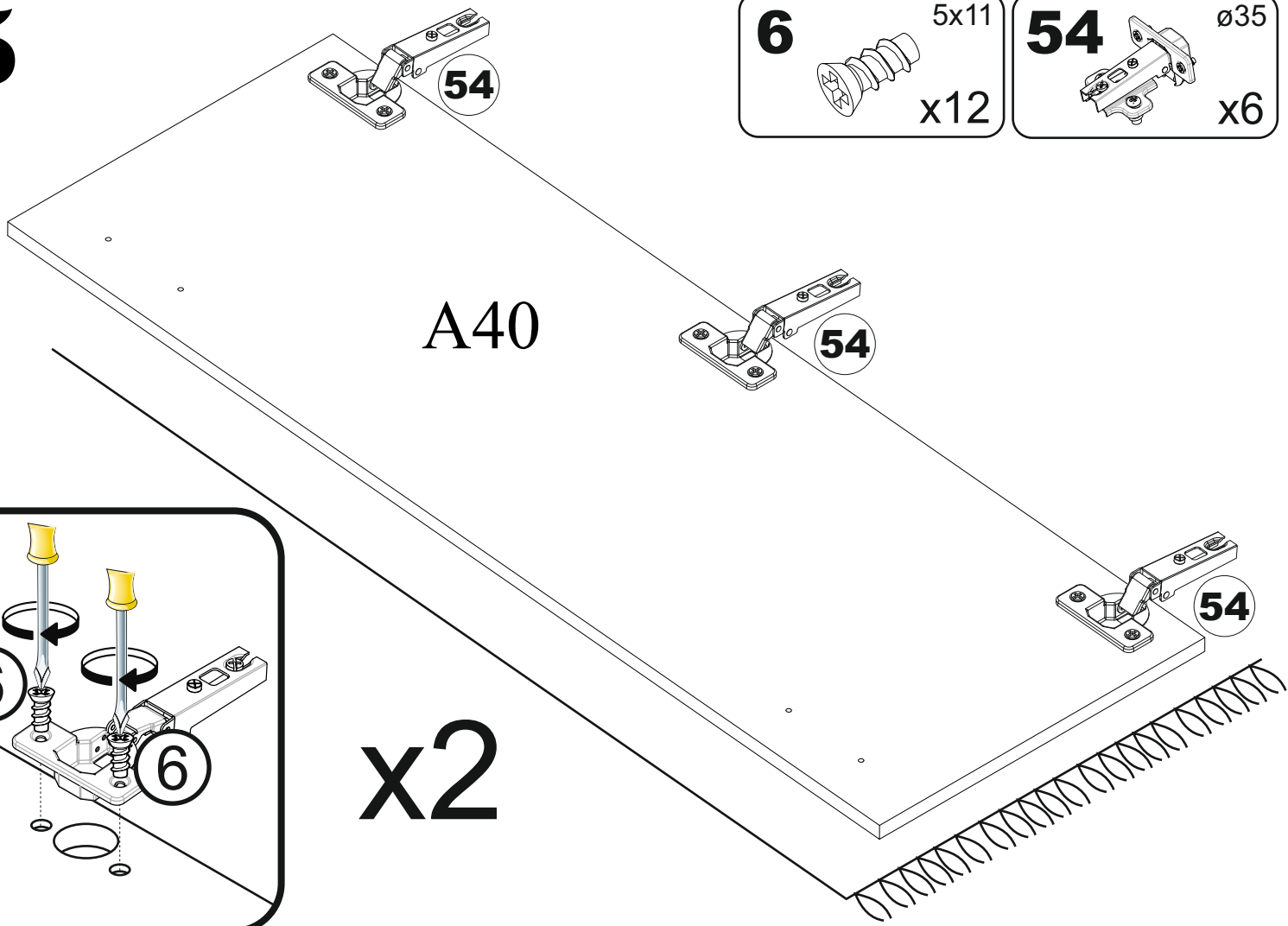


5

6 5x11
x12

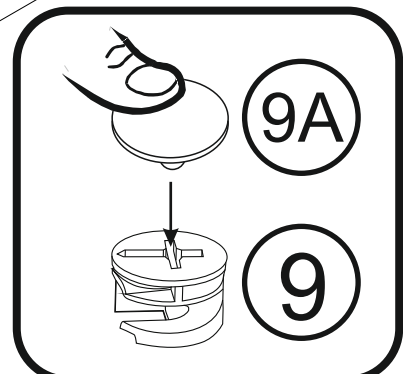
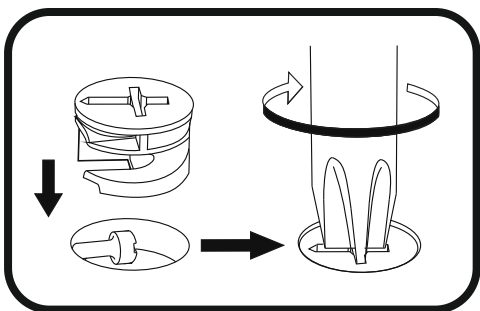
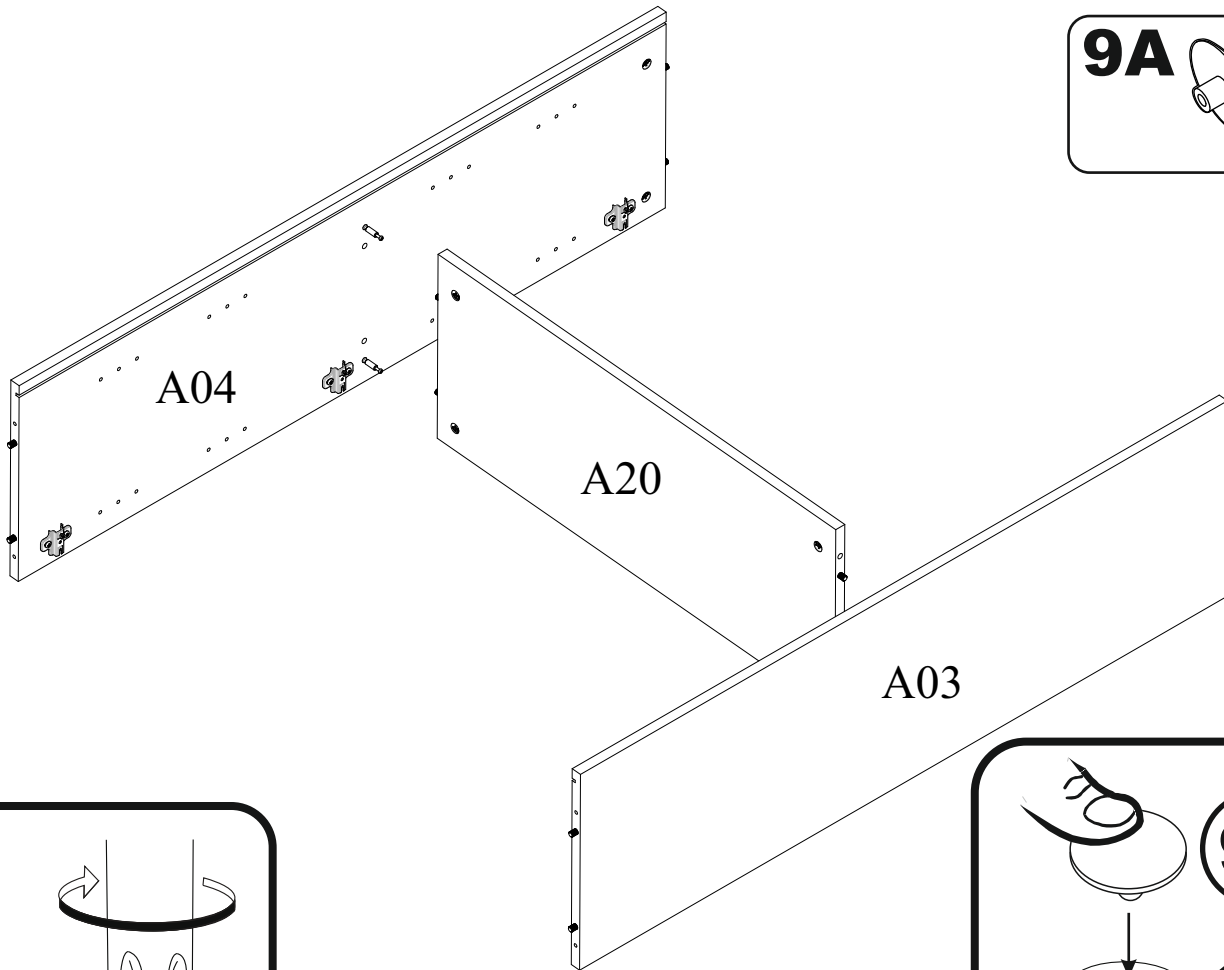


54 ø35
x6

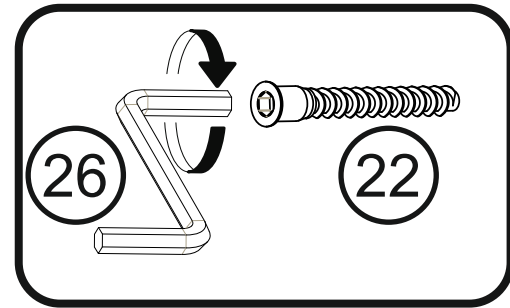
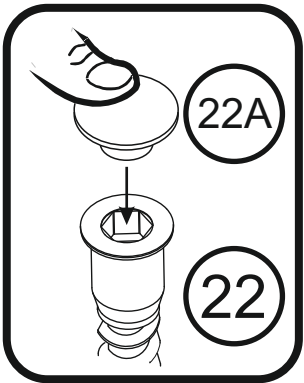
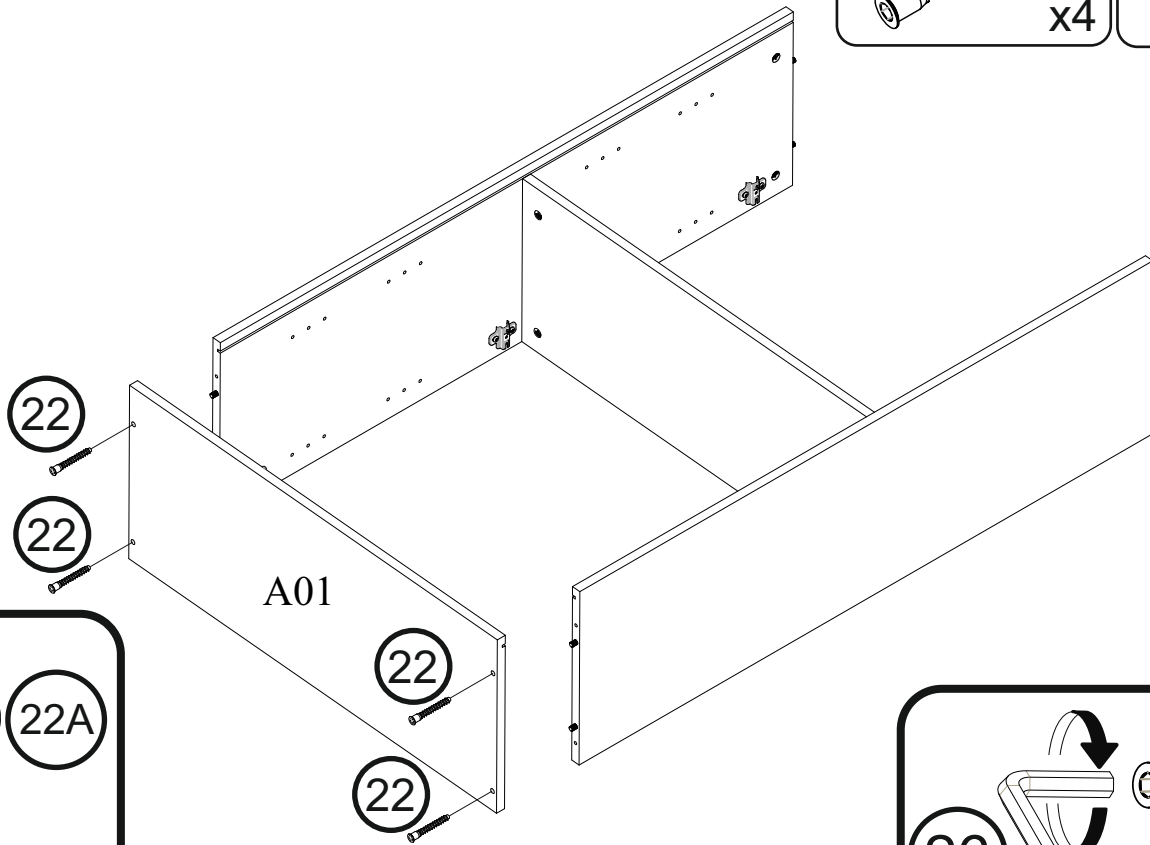
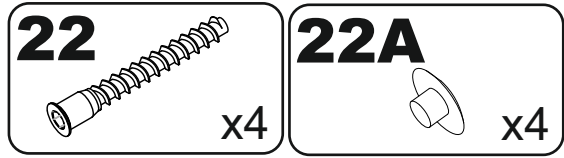



6

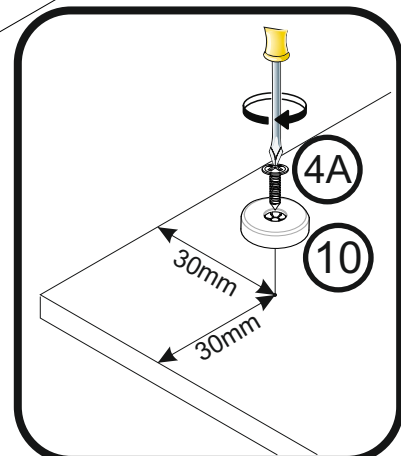
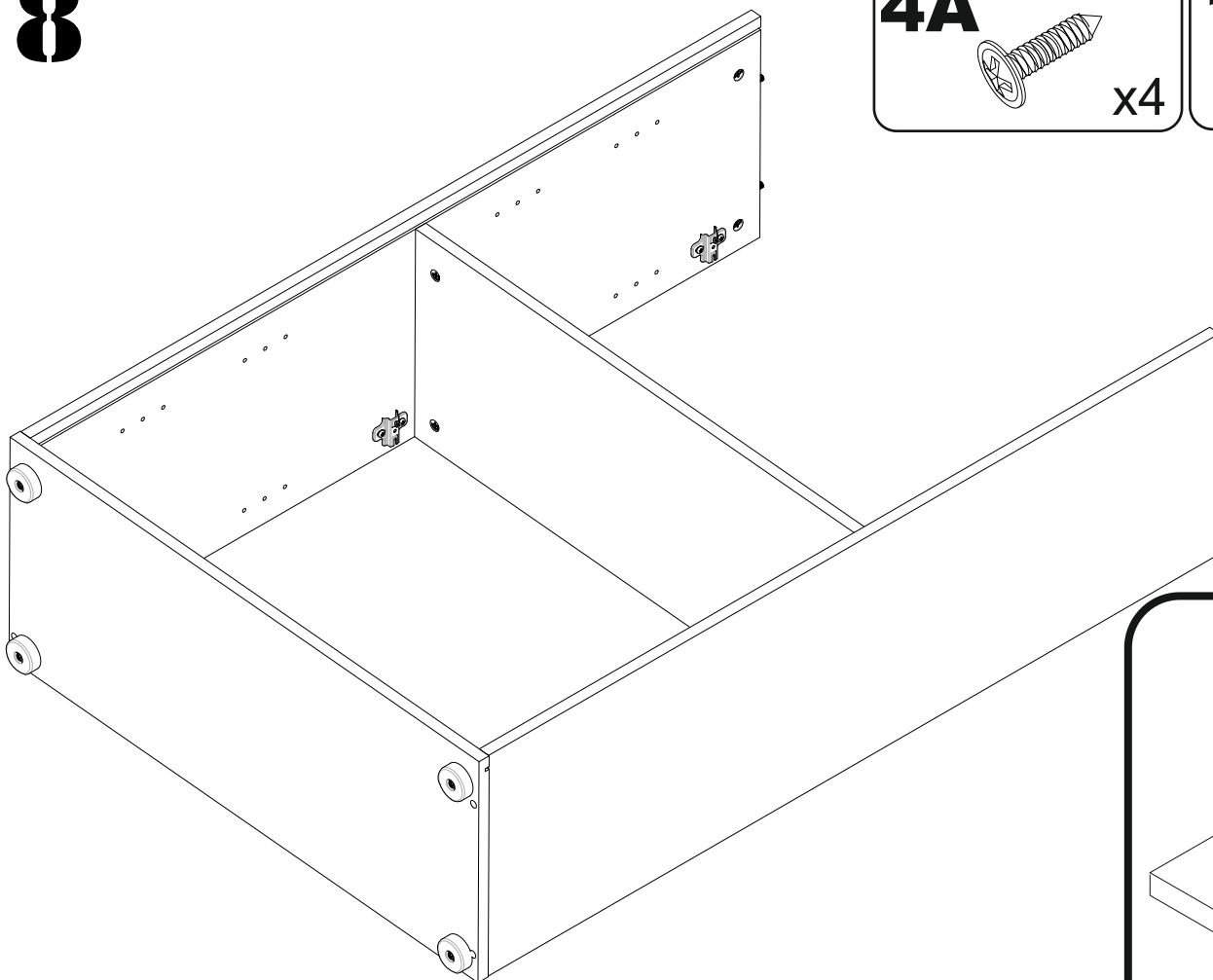
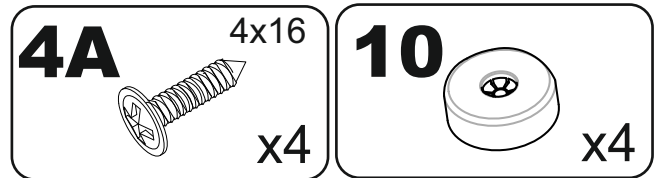
9A x4

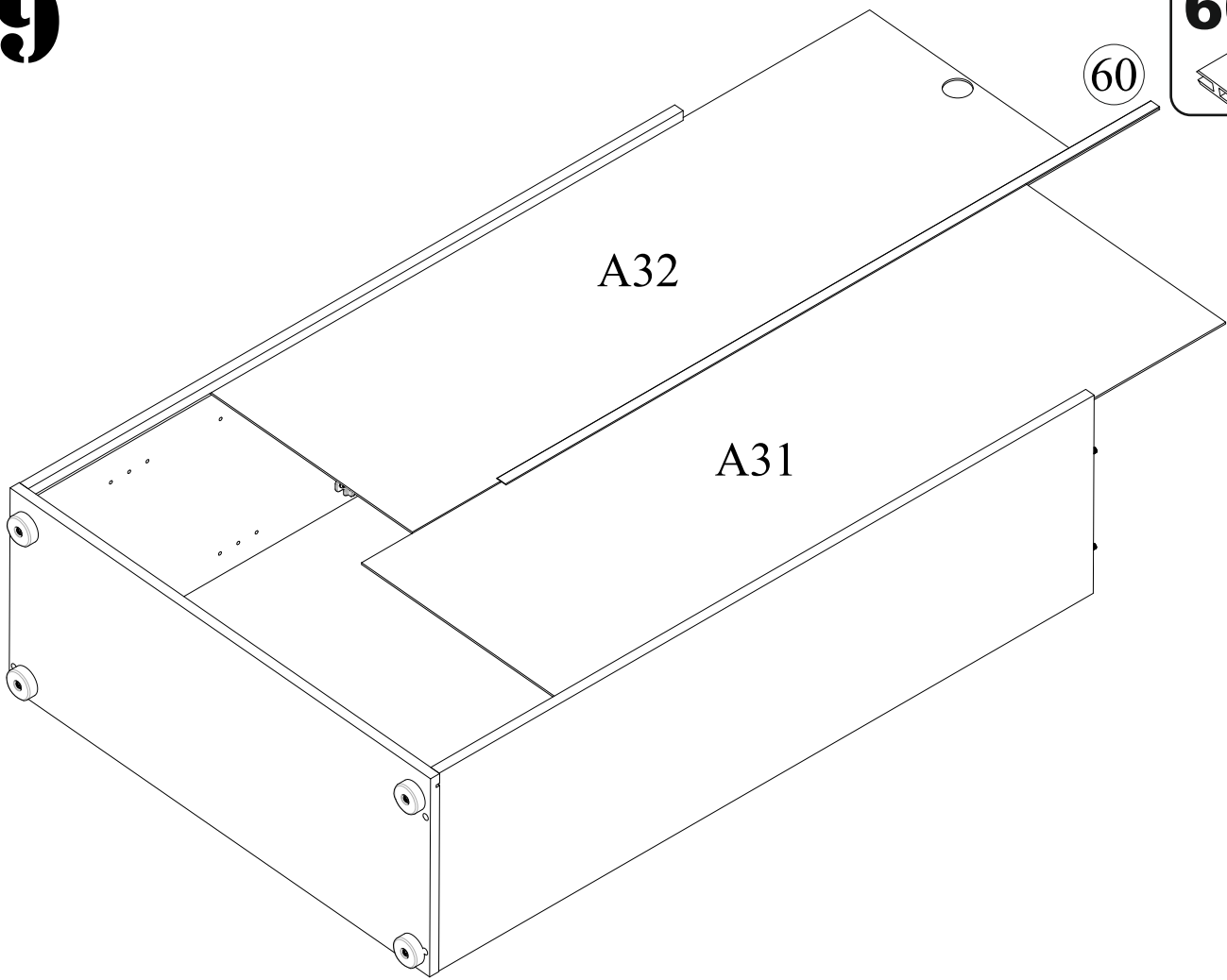
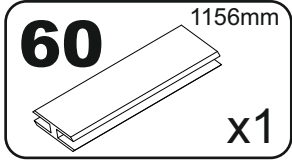
7



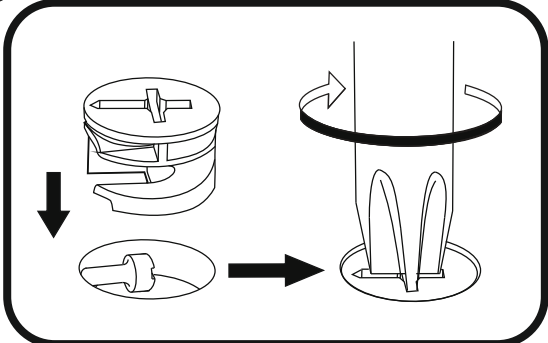
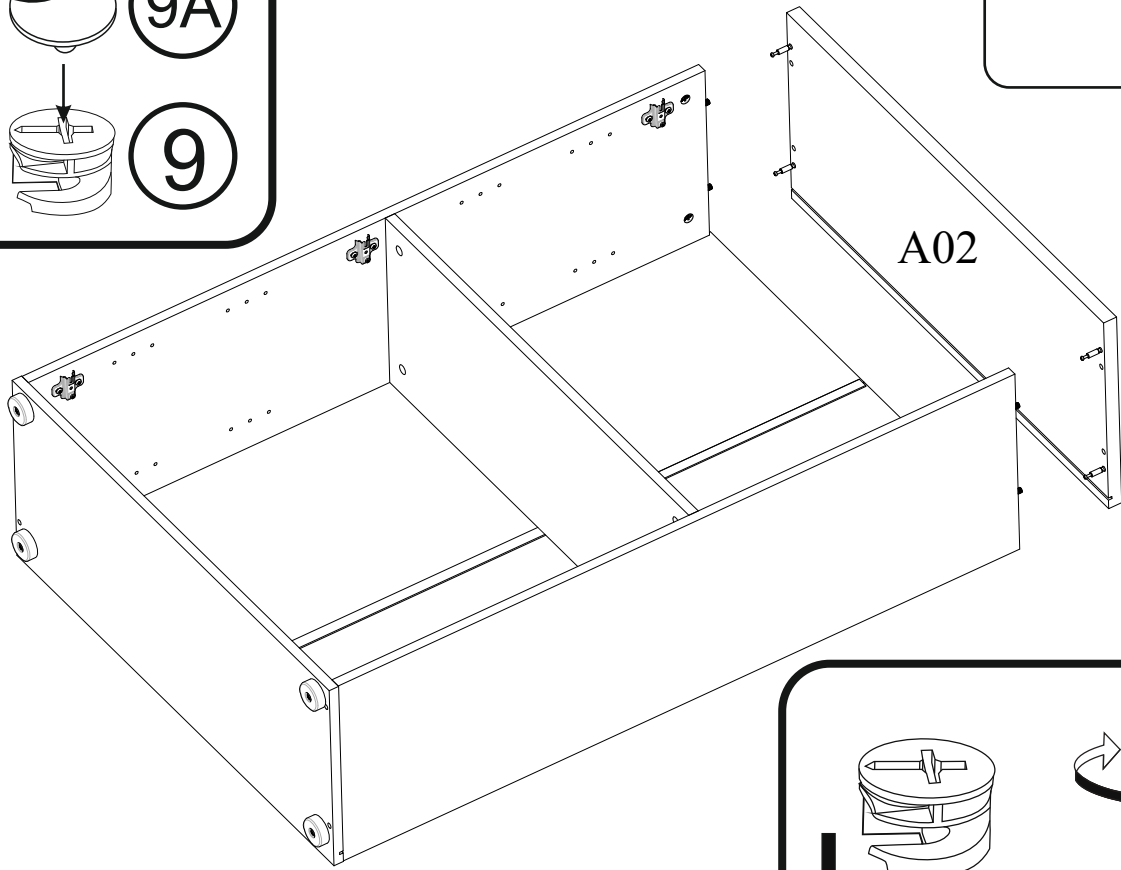
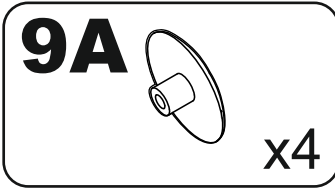
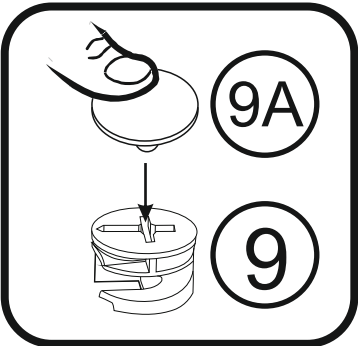
8



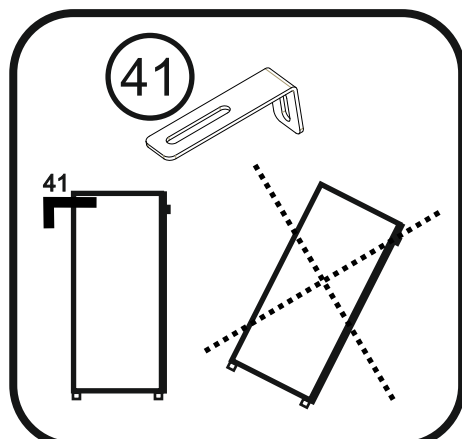
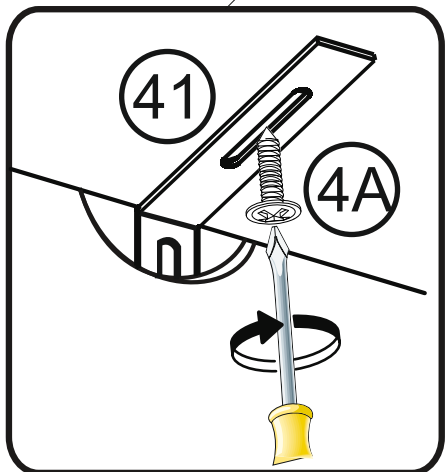
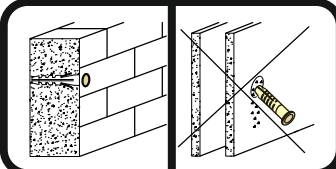
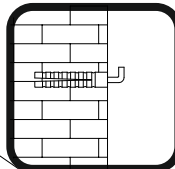
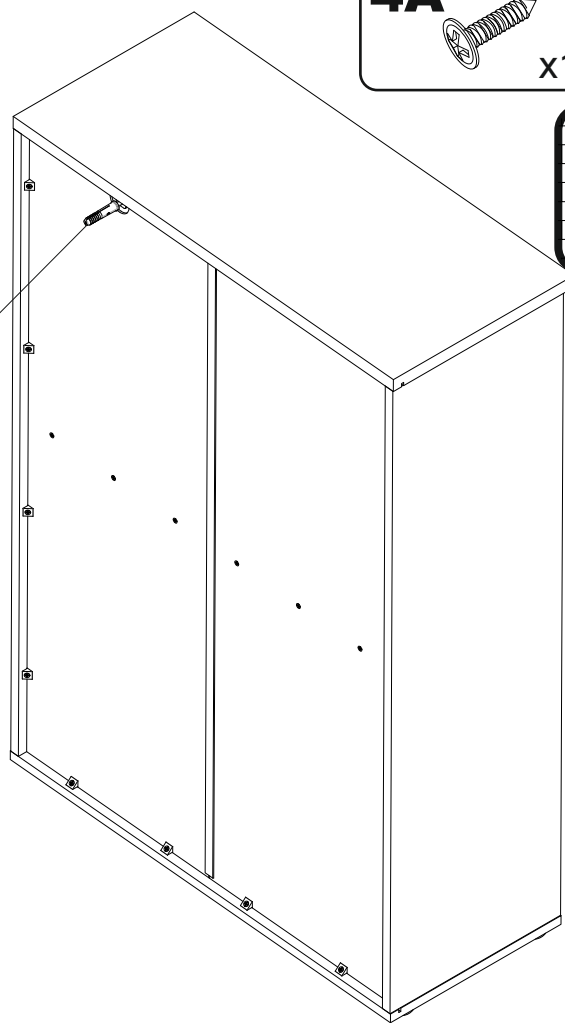
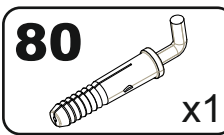
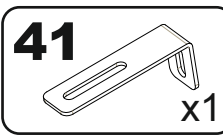
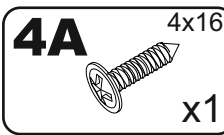
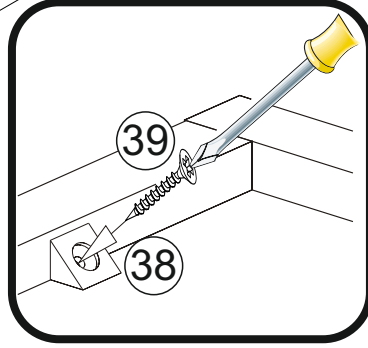
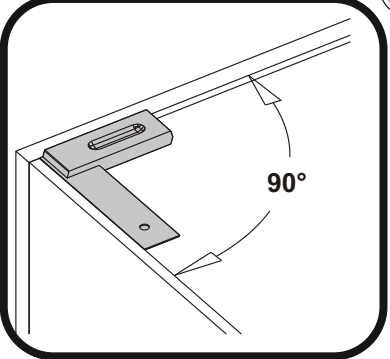
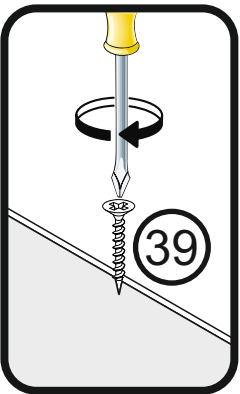
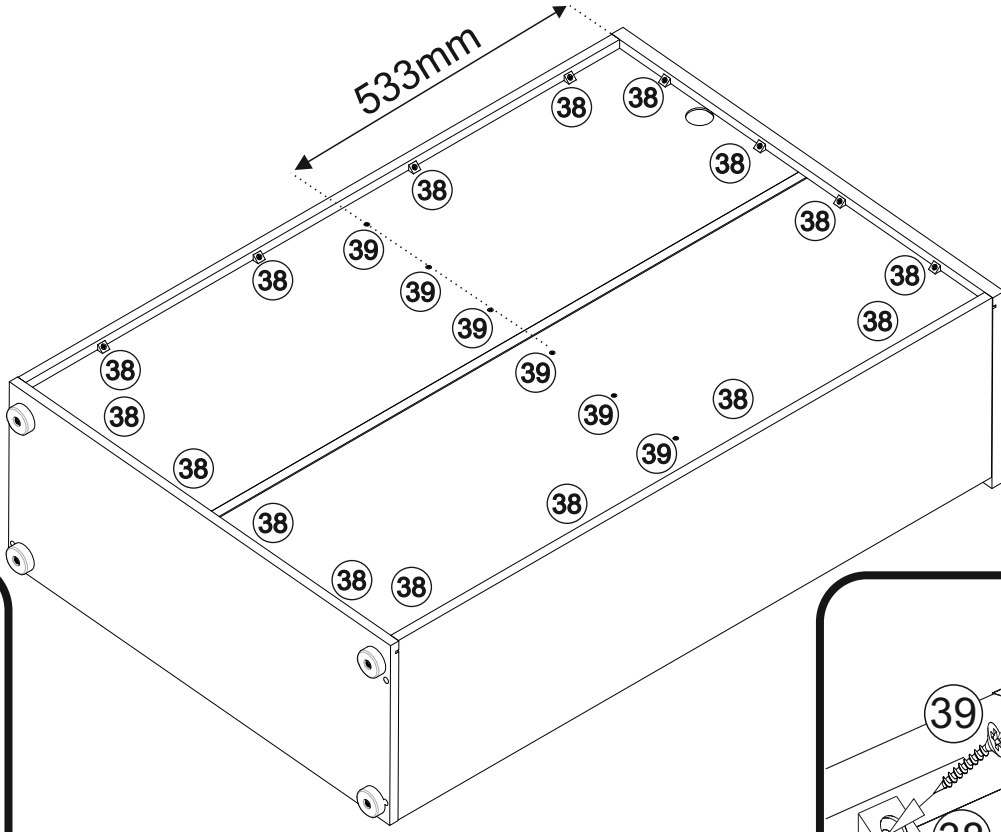
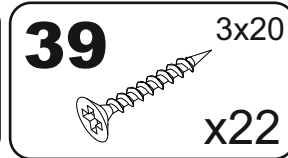
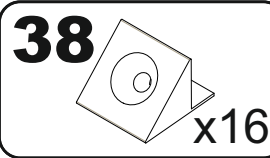
9



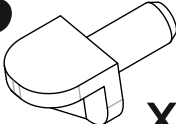
10

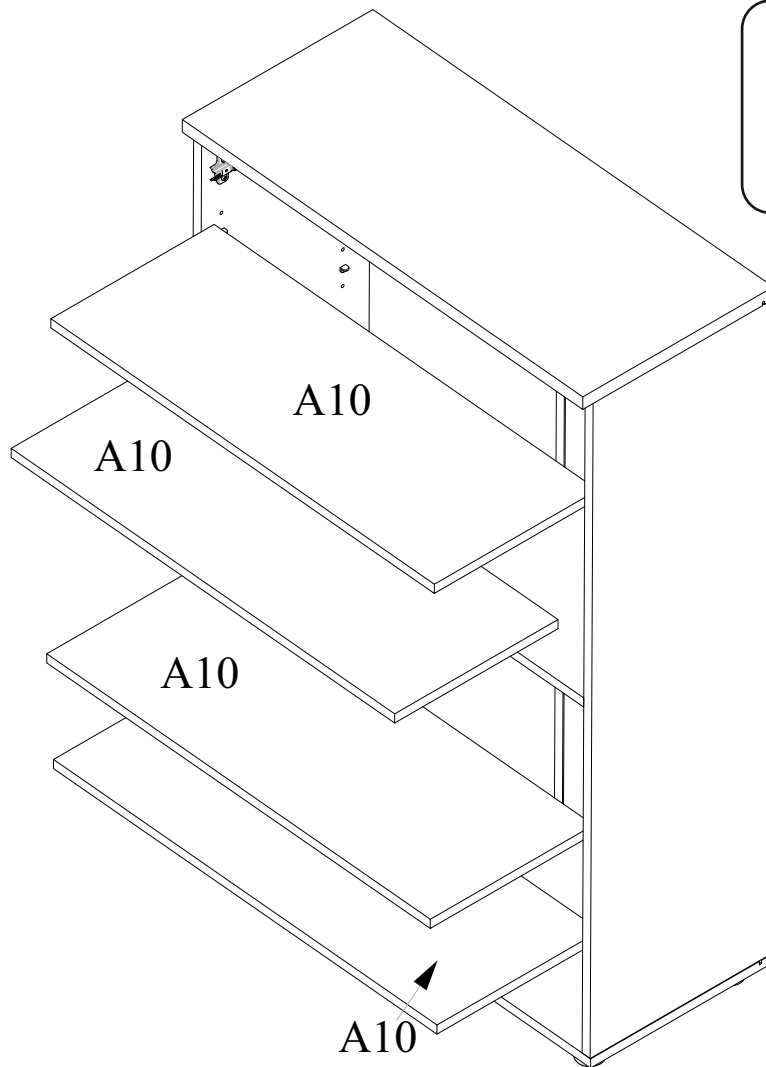


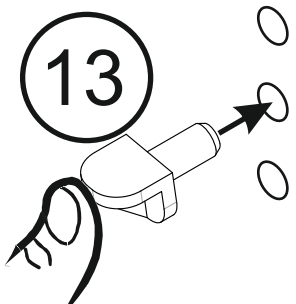
11



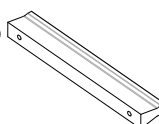
13

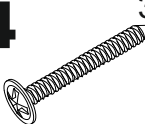
13  x16







13 


14

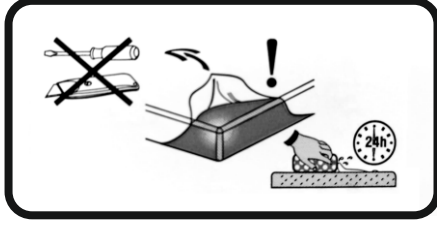
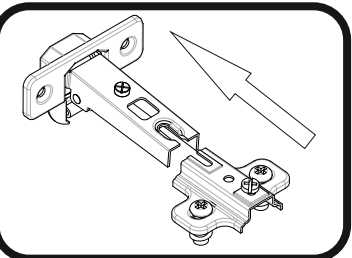
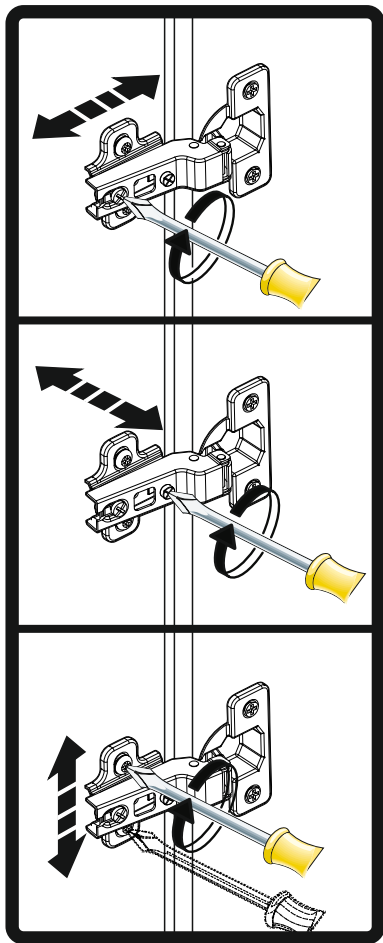
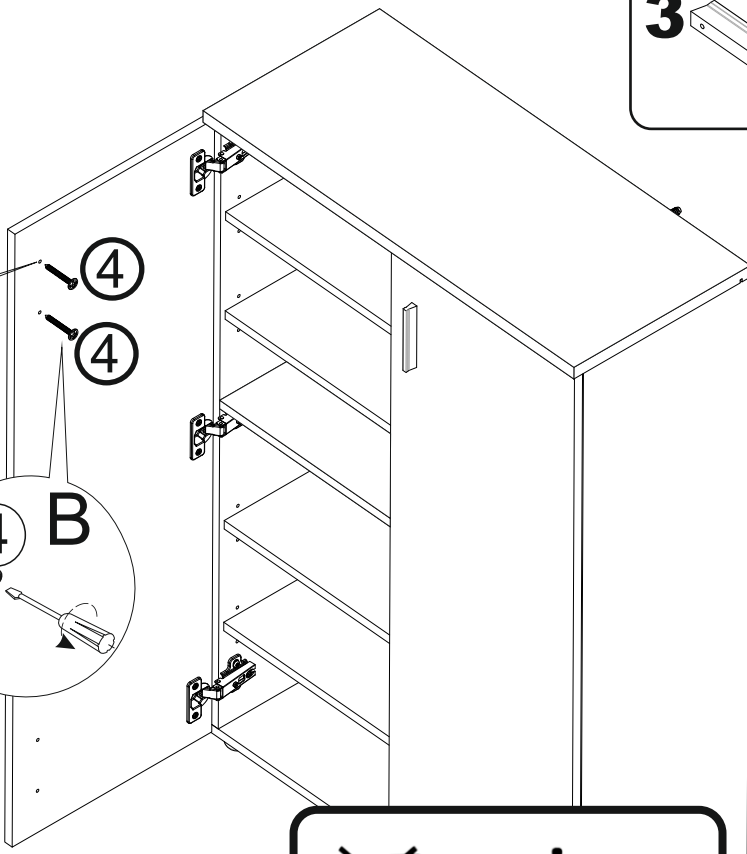
3  x2

4  3.5x30 x4

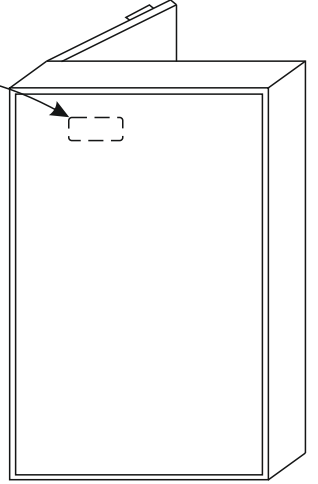
3  **4**  **4** 

A 

4 B 



OPTION



Möbel Name:

LINCOLN SCHUHSCHRANK

33201

Hergestellt im:

PPHU BOMA
Kazimierzowo 3c
82-300 Elblag
Polen

Hergestellt für:

BEGA GRUPPE
Pyromonter Straße 78
D - 32676 Lügde

