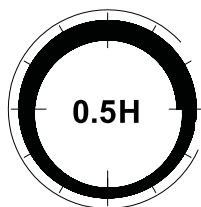
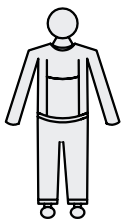
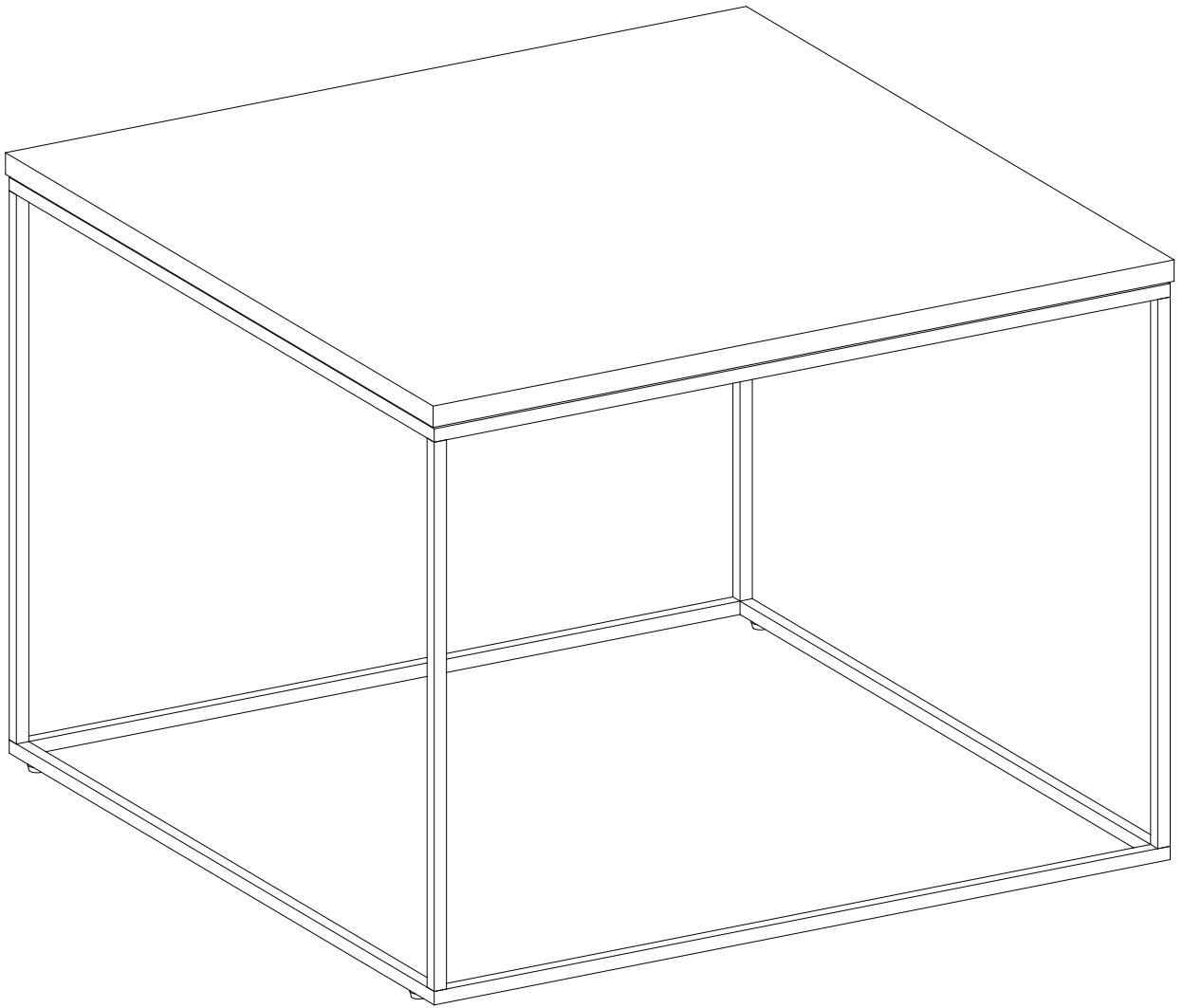
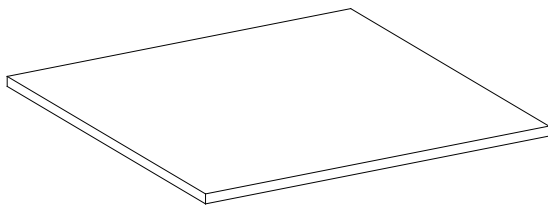
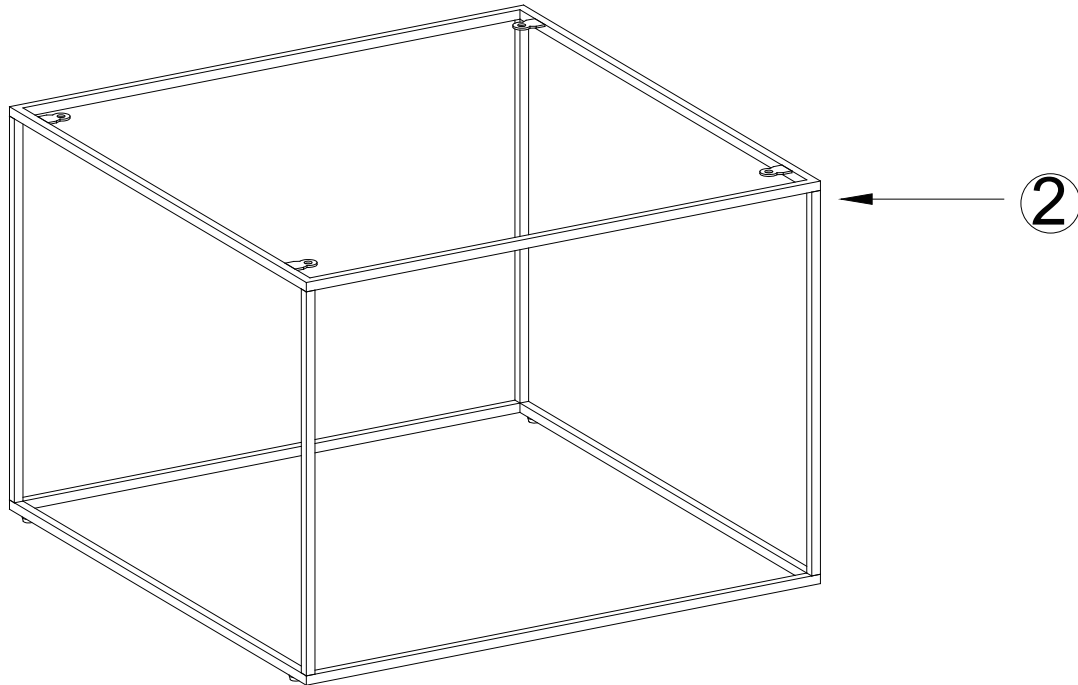
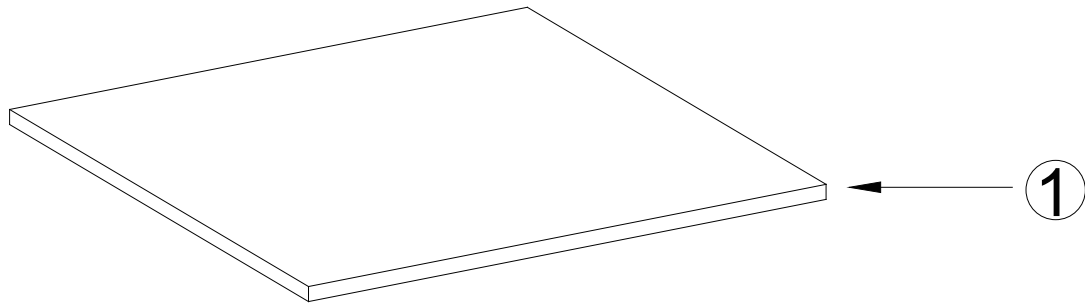


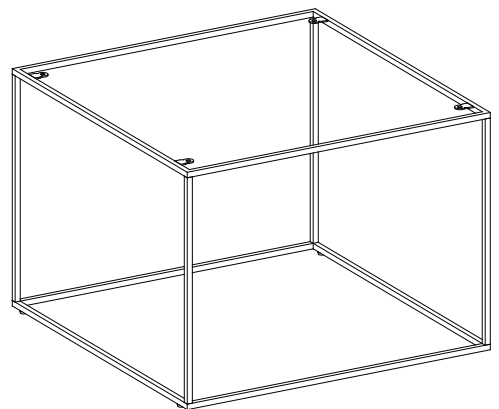
---

# Bolton





1(x1)



2(x1)

---

Ø30  
Ax4



