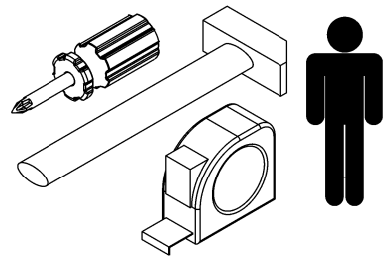
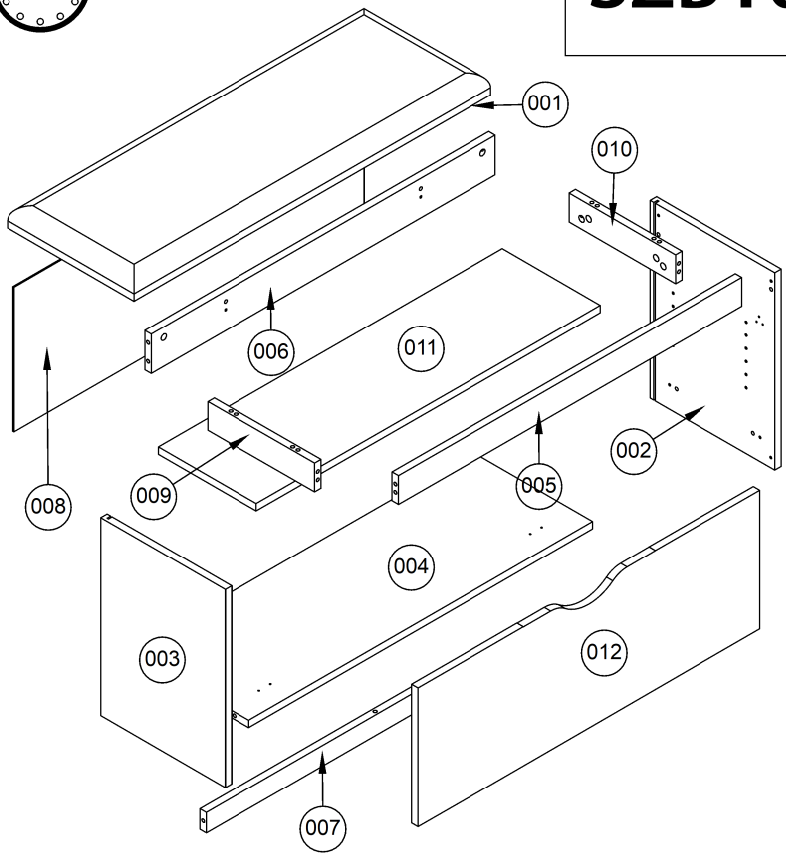
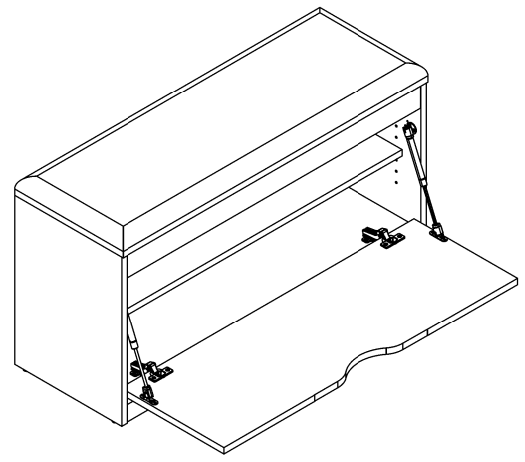
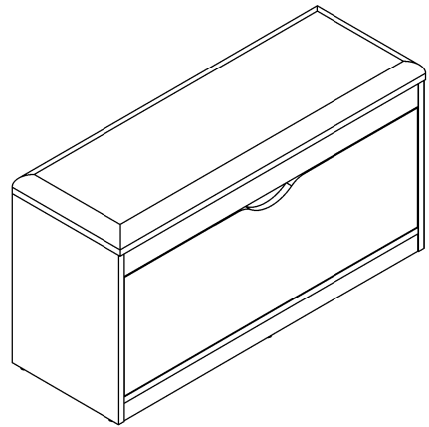
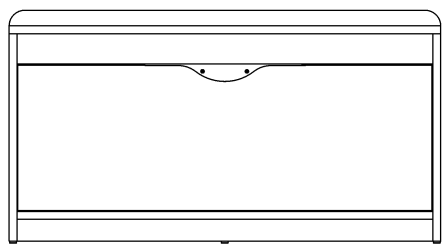
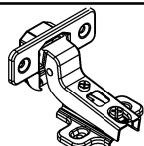

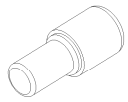
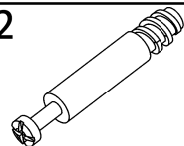
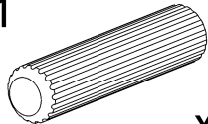
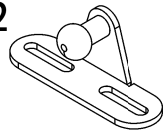
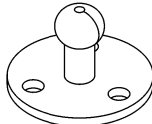
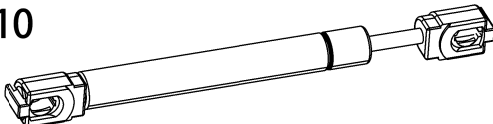
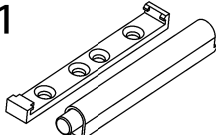
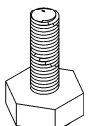





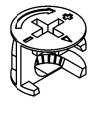
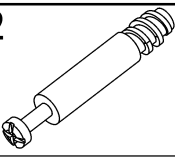
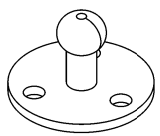
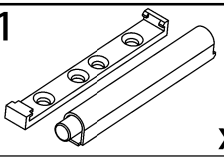
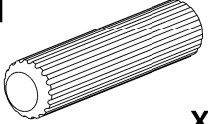
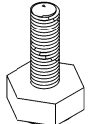
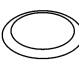
SZB100

 - 45 min.

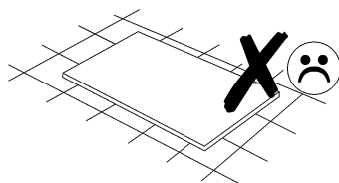
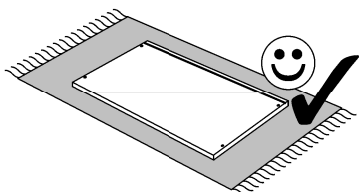
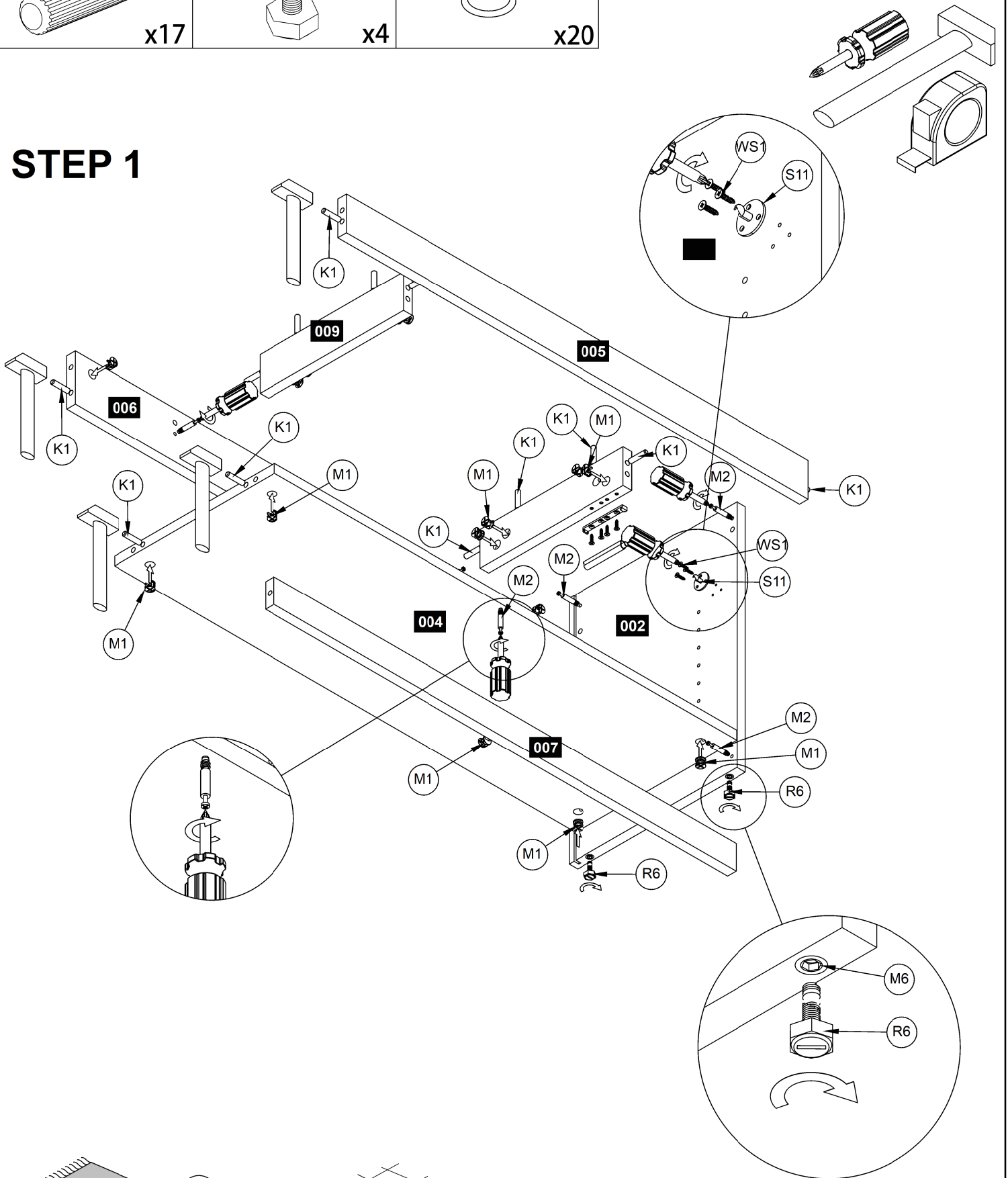



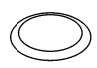
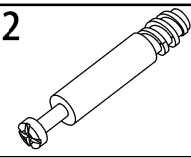
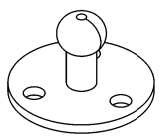
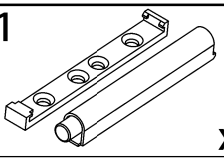
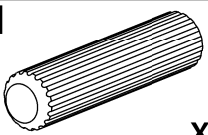

Number	Qty	Size A	Size B
001	1	1000	355
002	1	480	350
003	1	480	350
004	1	964	335
005	1	70	964
006	1	96	964
007	1	50	964
012	1	337	960
008	1	352	982
009	1	70	299
010	1	70	299
011	1	964	275

ZW3  x2	WS1  3,5x16 x40	P5  x4	M2  x20	K1  x17
S12  x2	S11  x2	S10  x2	C1  x1	
R6  x4	M1  x20	M3  x20	<div style="border: 1px solid black; padding: 5px; display: inline-block;"> 1/10 </div>	

WS1  3,5x16 x40	M1  x20	M2  x20	S13  x2	C1  x1
K1  x17	R6  x4	M3  x20		

STEP 1



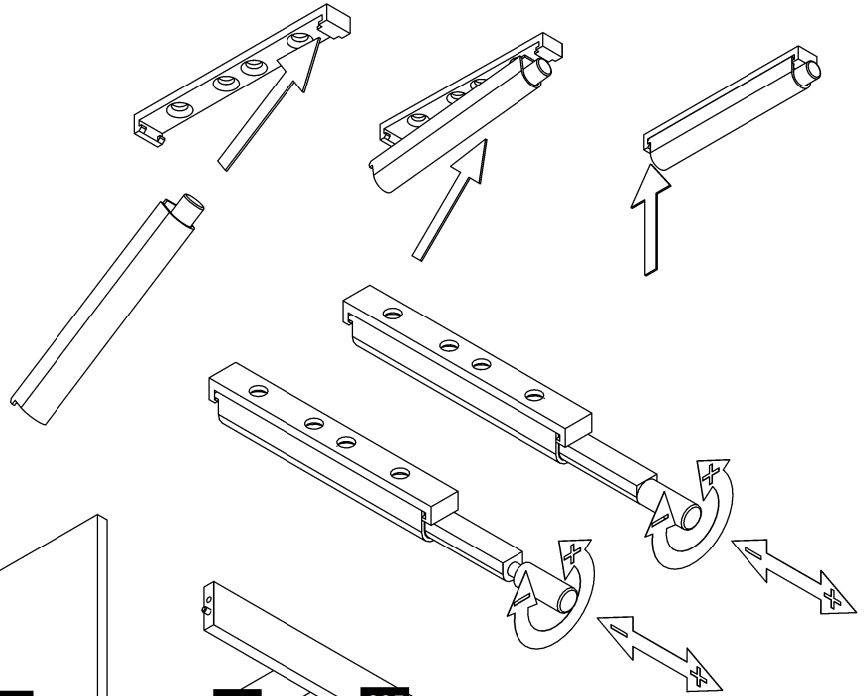
WS1  3,5x16 x40	M3  x20	M2  x20	S13  x2	C1  x1
K1  x17	M1  x20			

STEP 1A

STEP 1A-1

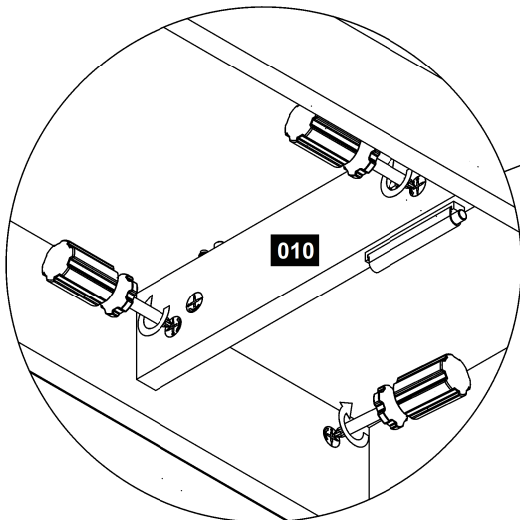
STEP 1A-2

STEP 1A-3

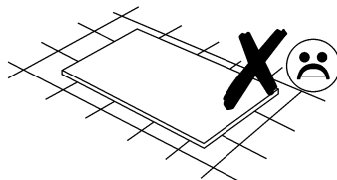
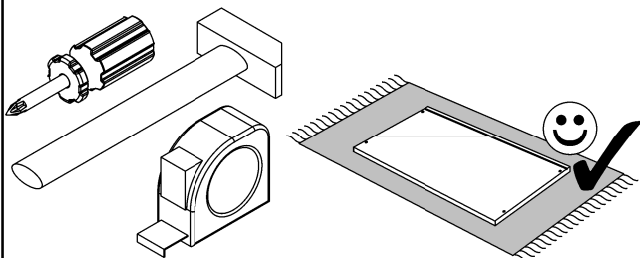
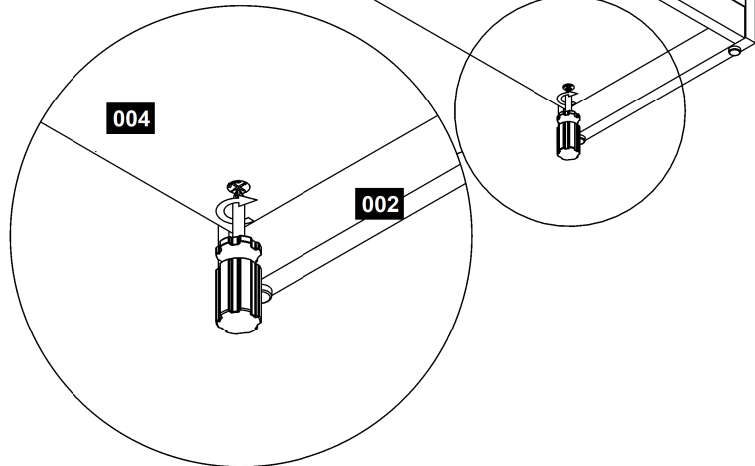


STEP 2

STEP 2B

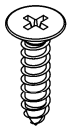


STEP 2C



STEP 2

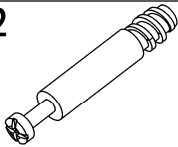
WS1
3,5x16
x40



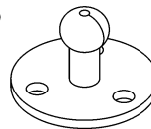
M3
x20



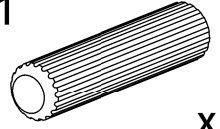
M2
x20



S13
x2



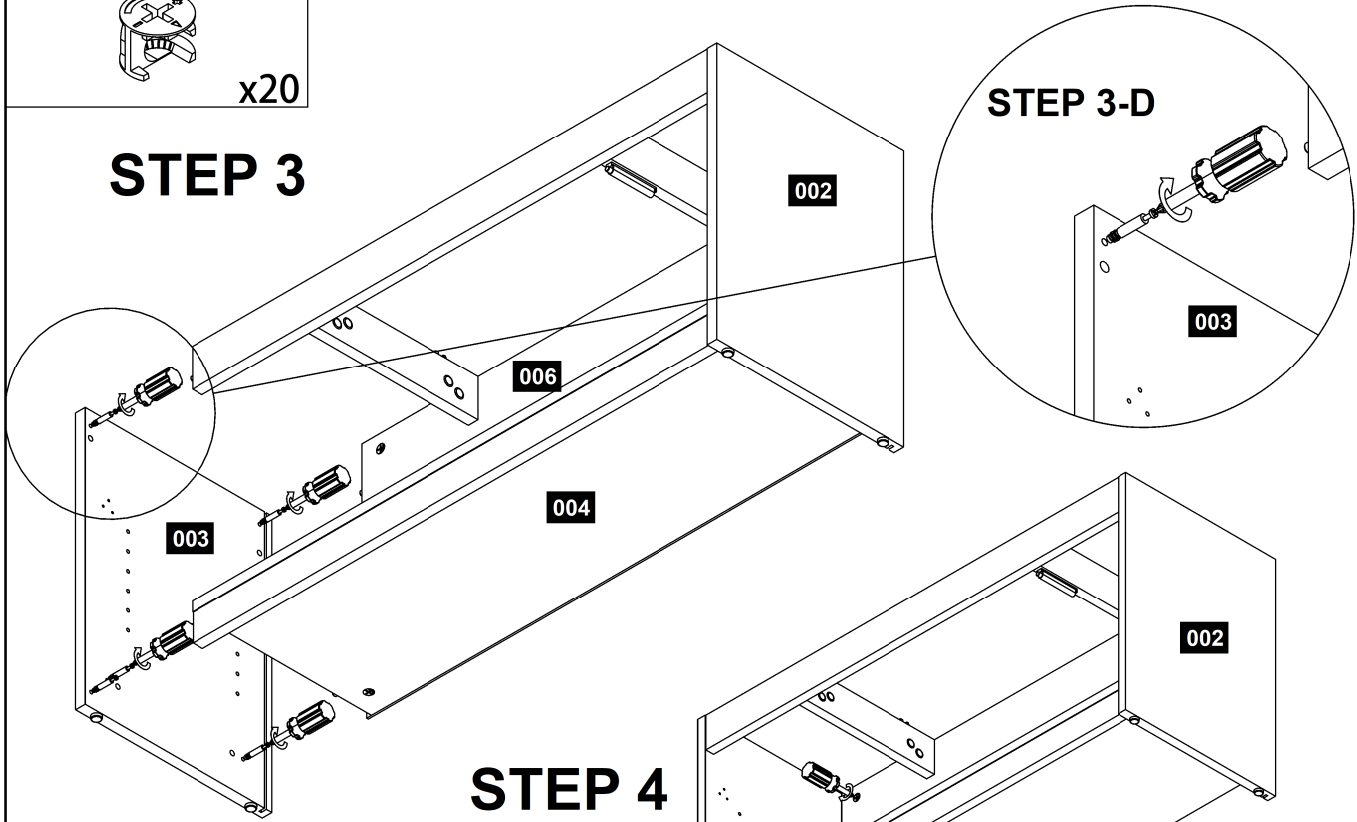
K1
x17



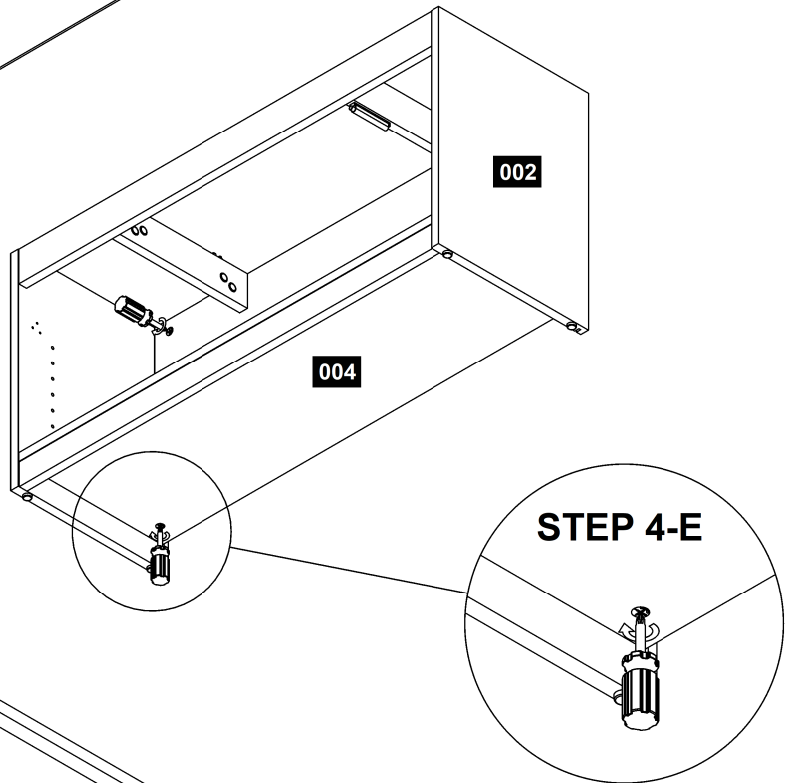
M1
x20



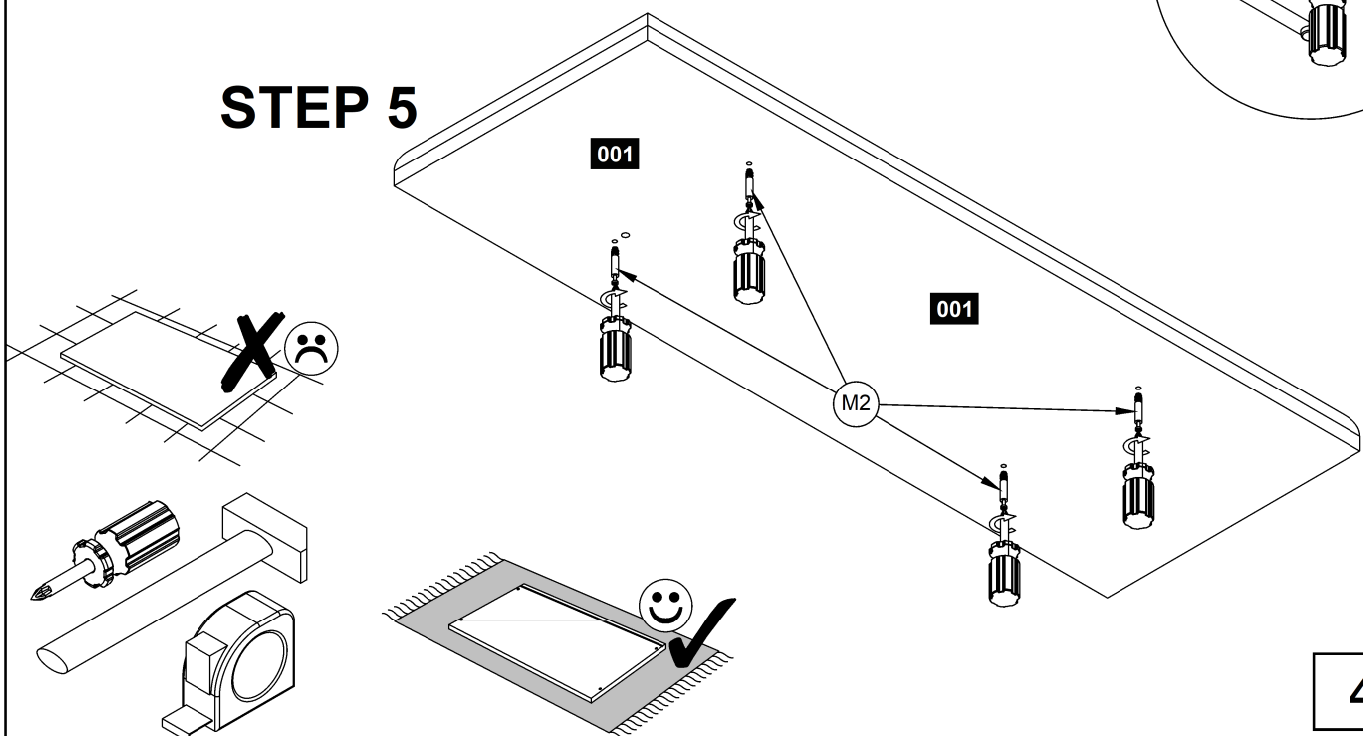
STEP 3



STEP 4

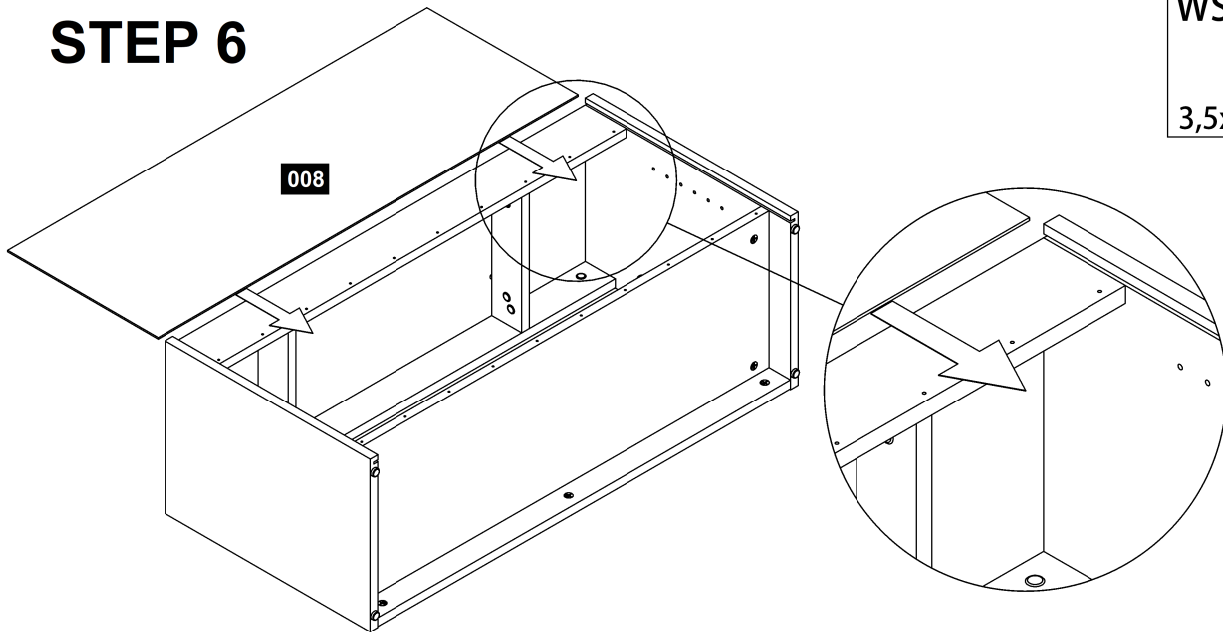


STEP 5

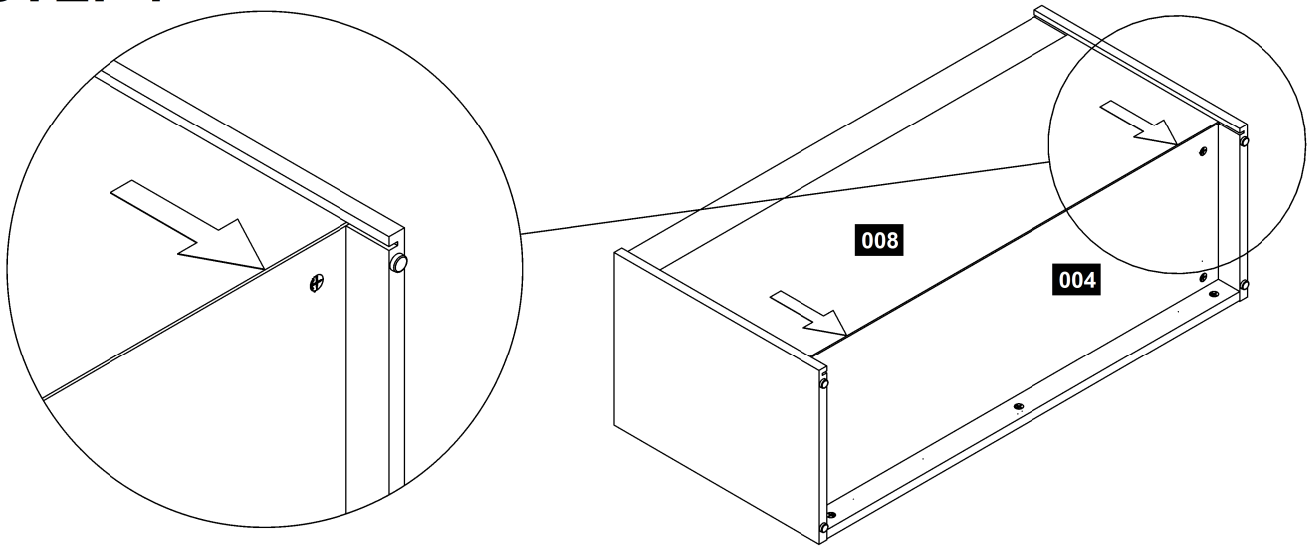


STEP 6

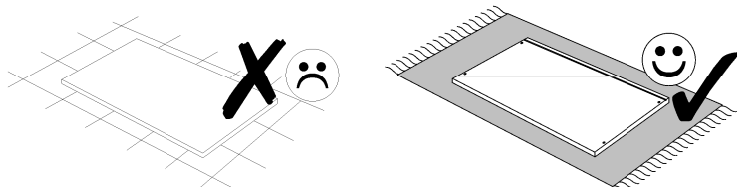
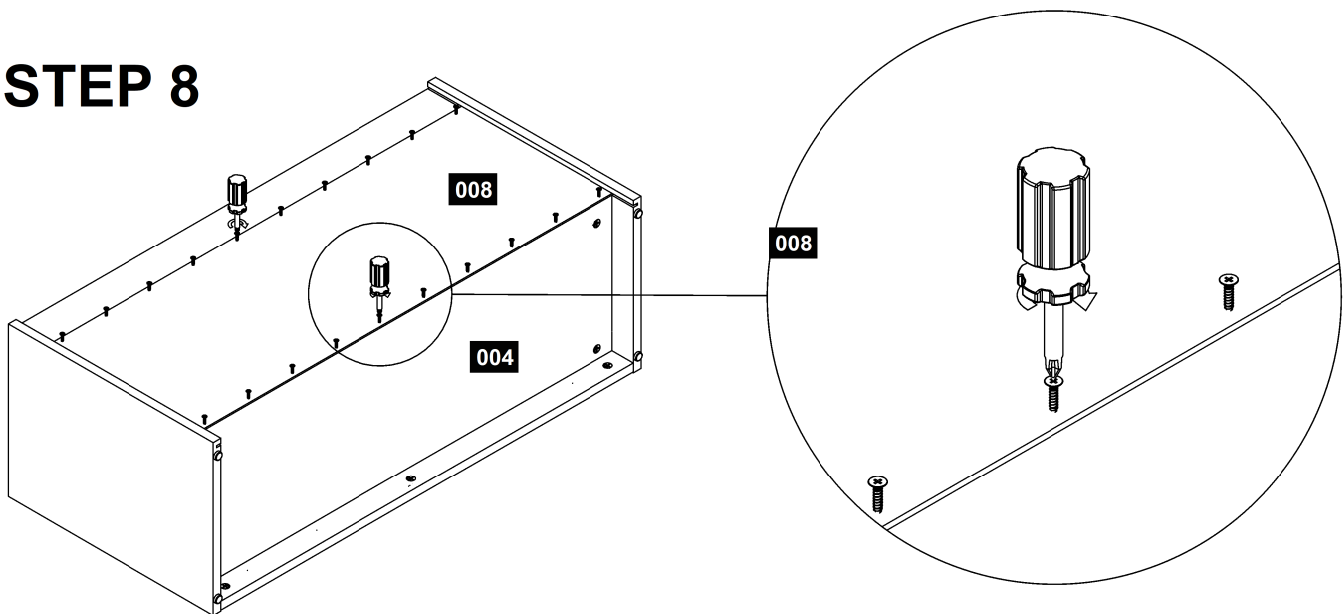
WS1
3,5x16 x40



STEP 7

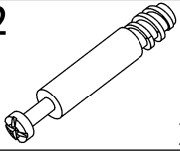


STEP 8



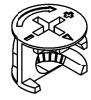
STEP 9

M2



x20

M1

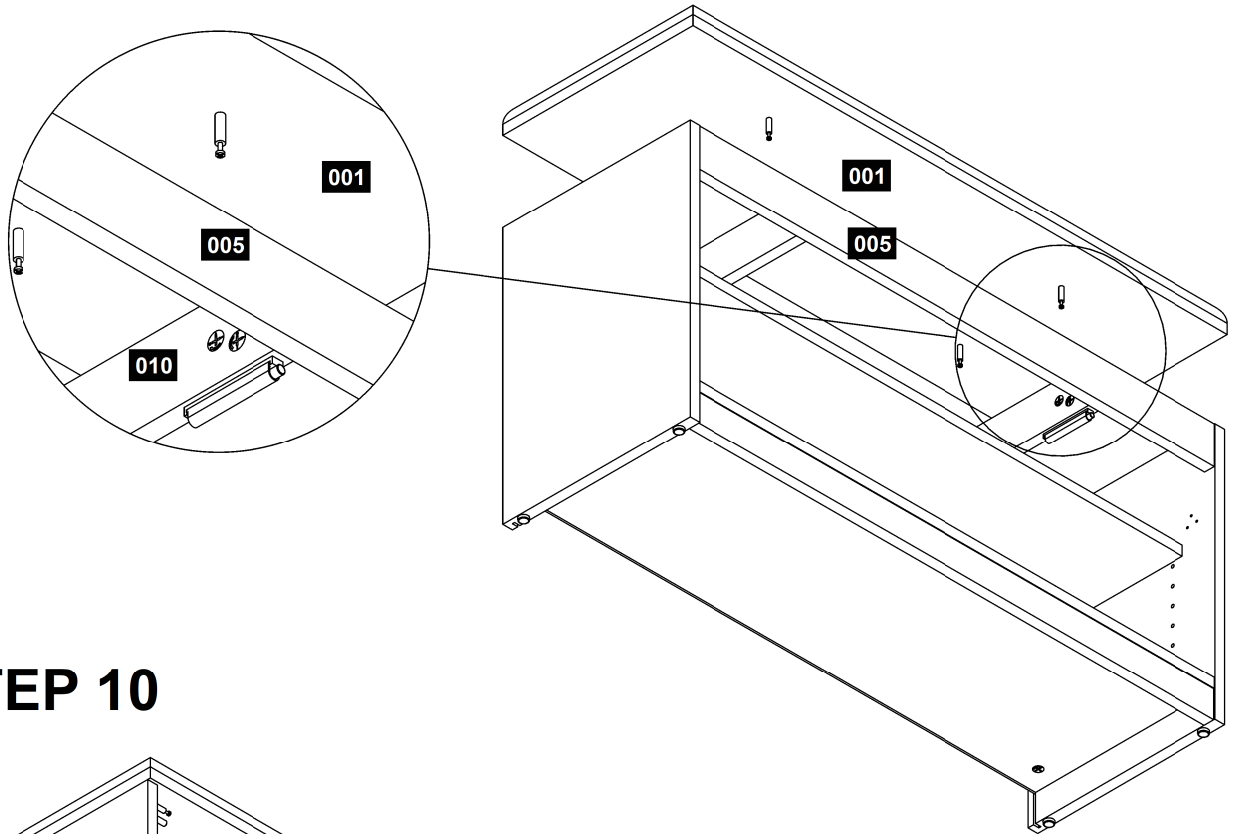
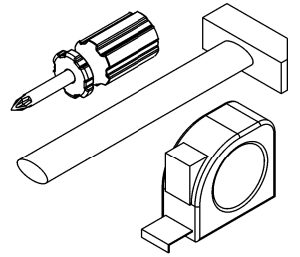


x20

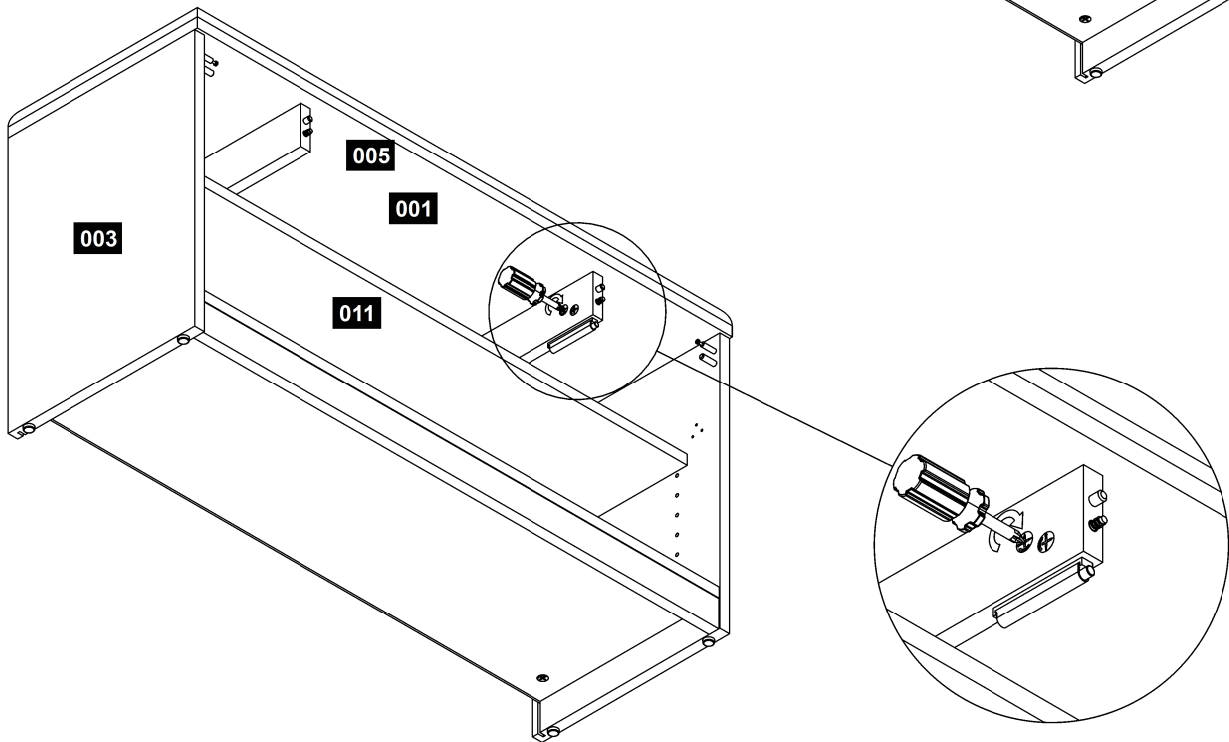
M3



x20

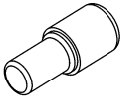


STEP 10

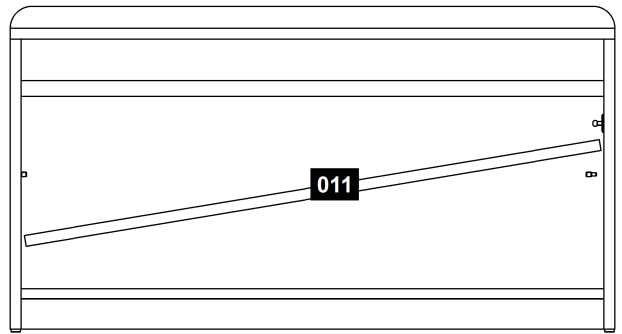
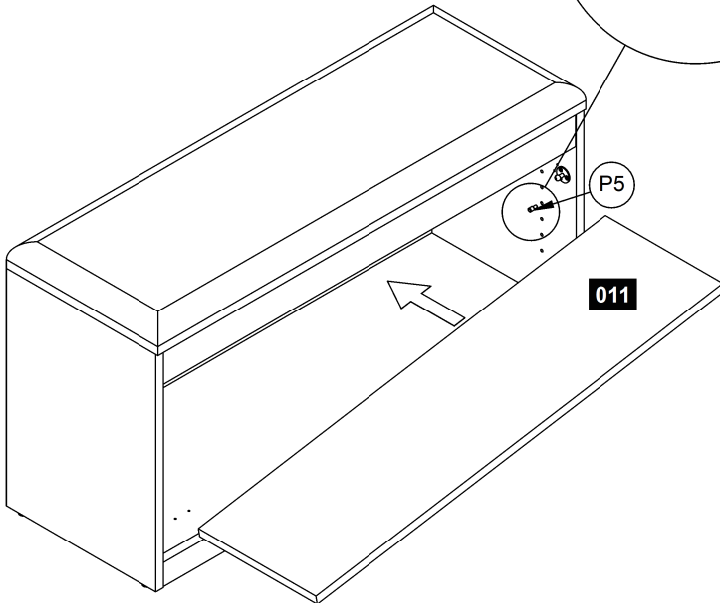
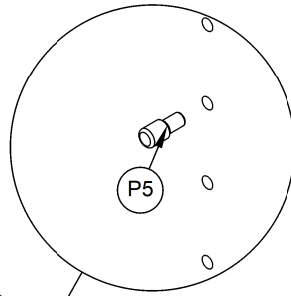
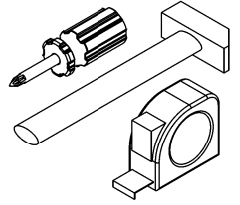


STEP 11

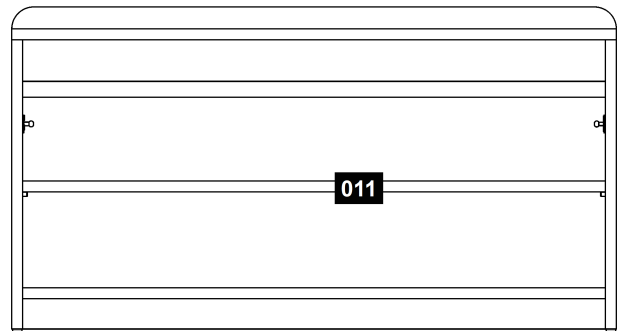
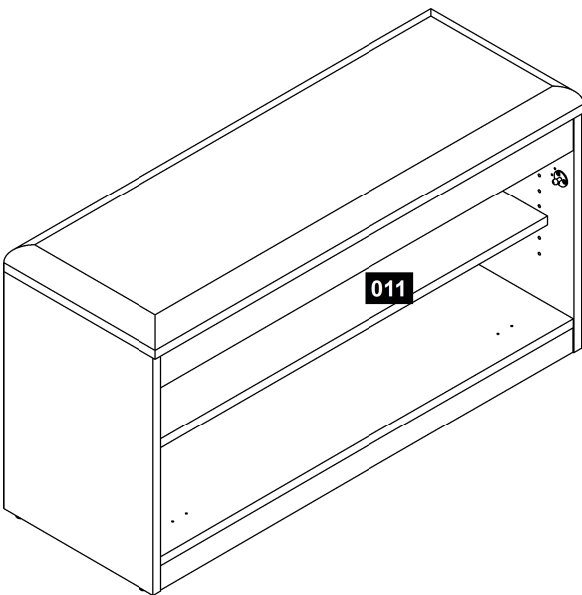
P5



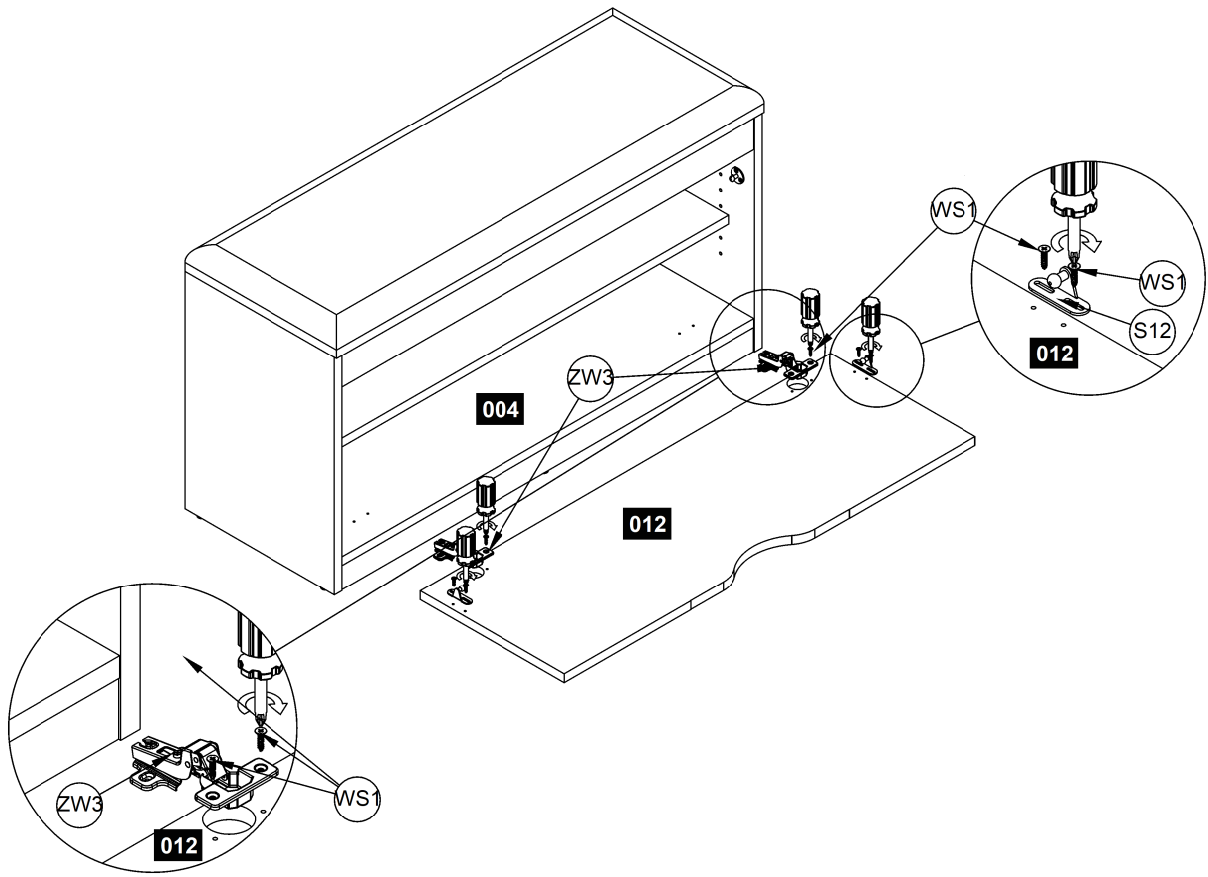
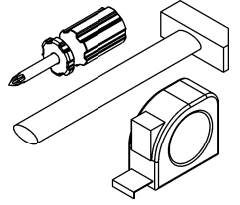
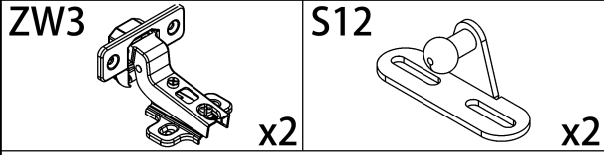
x4



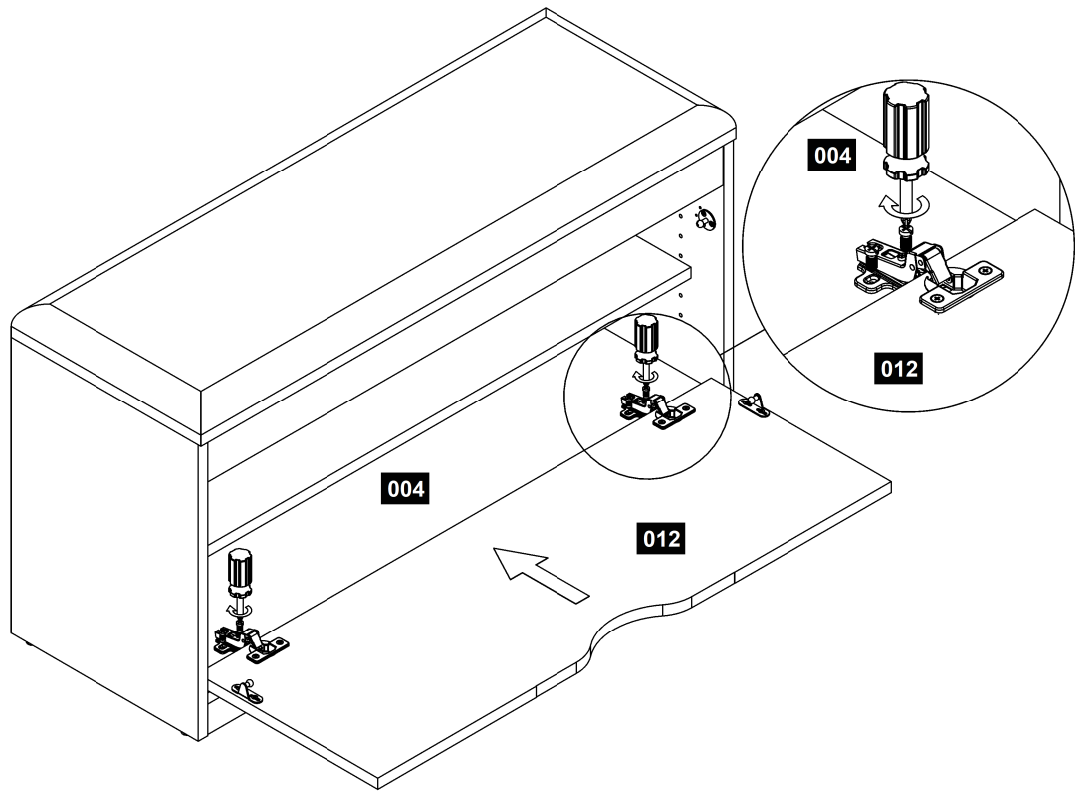
STEP 12



STEP 13

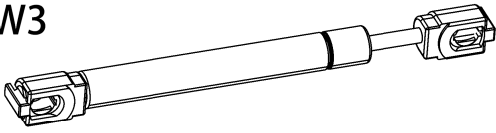


STEP 14

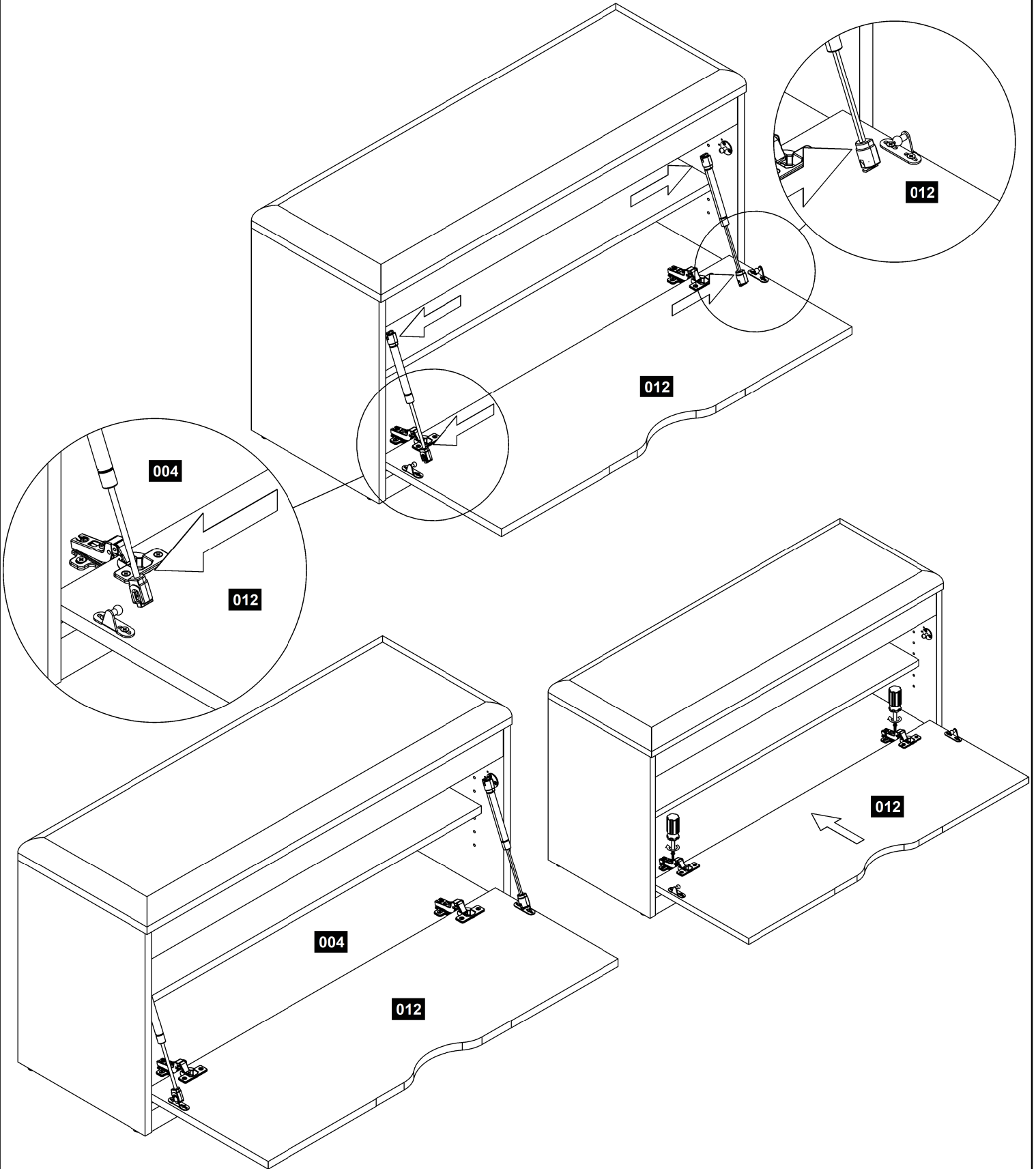


STEP 15

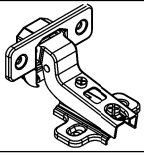
ZW3



x2



ZW3



X2

