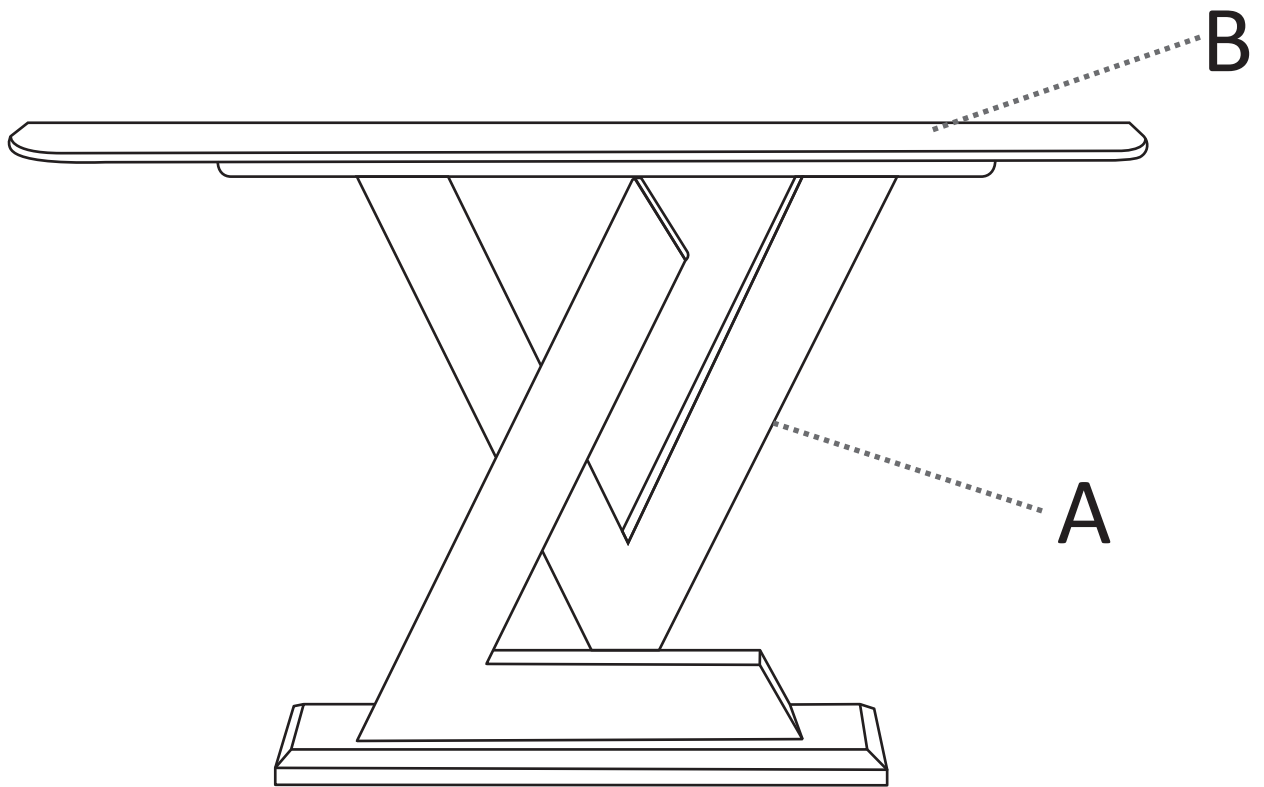
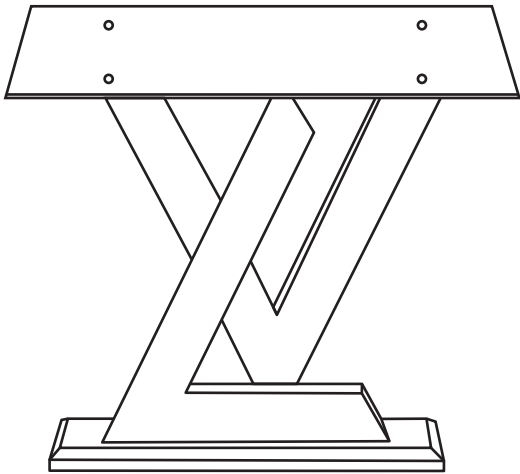


# Assembly Instructions

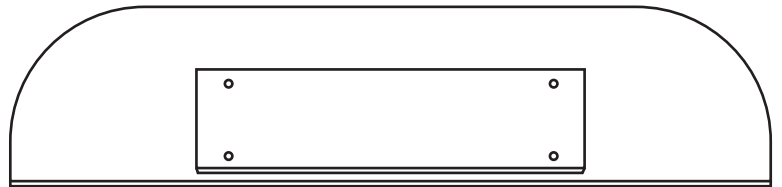


## Parts List

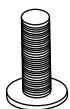
Open the hardware check all parts QTY, thanks



A × 1



B × 1

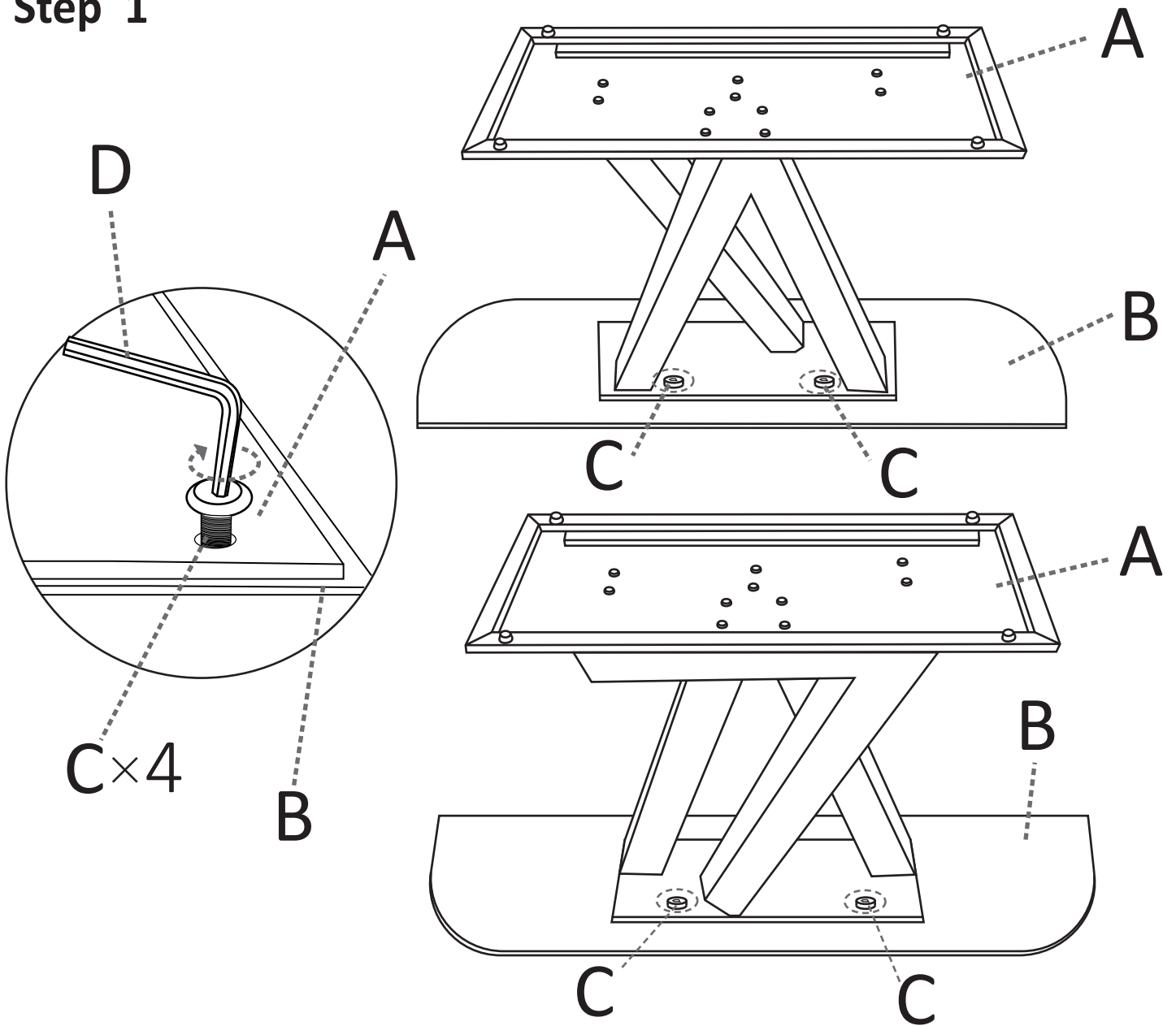


C × 4



D × 1

# Step 1



# Step 2

