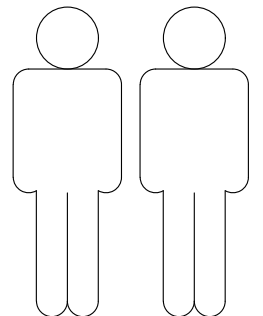
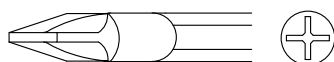
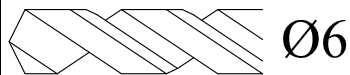
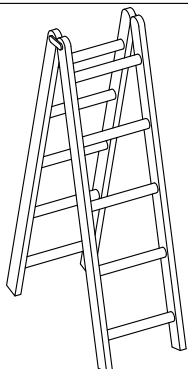
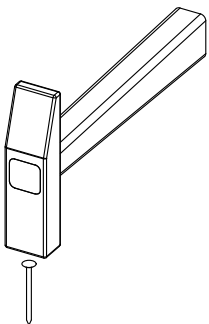
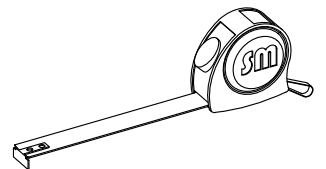
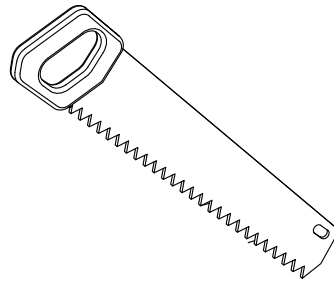
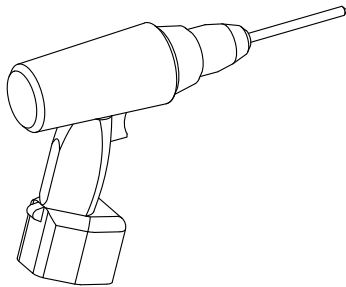
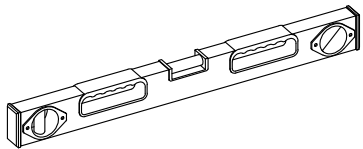
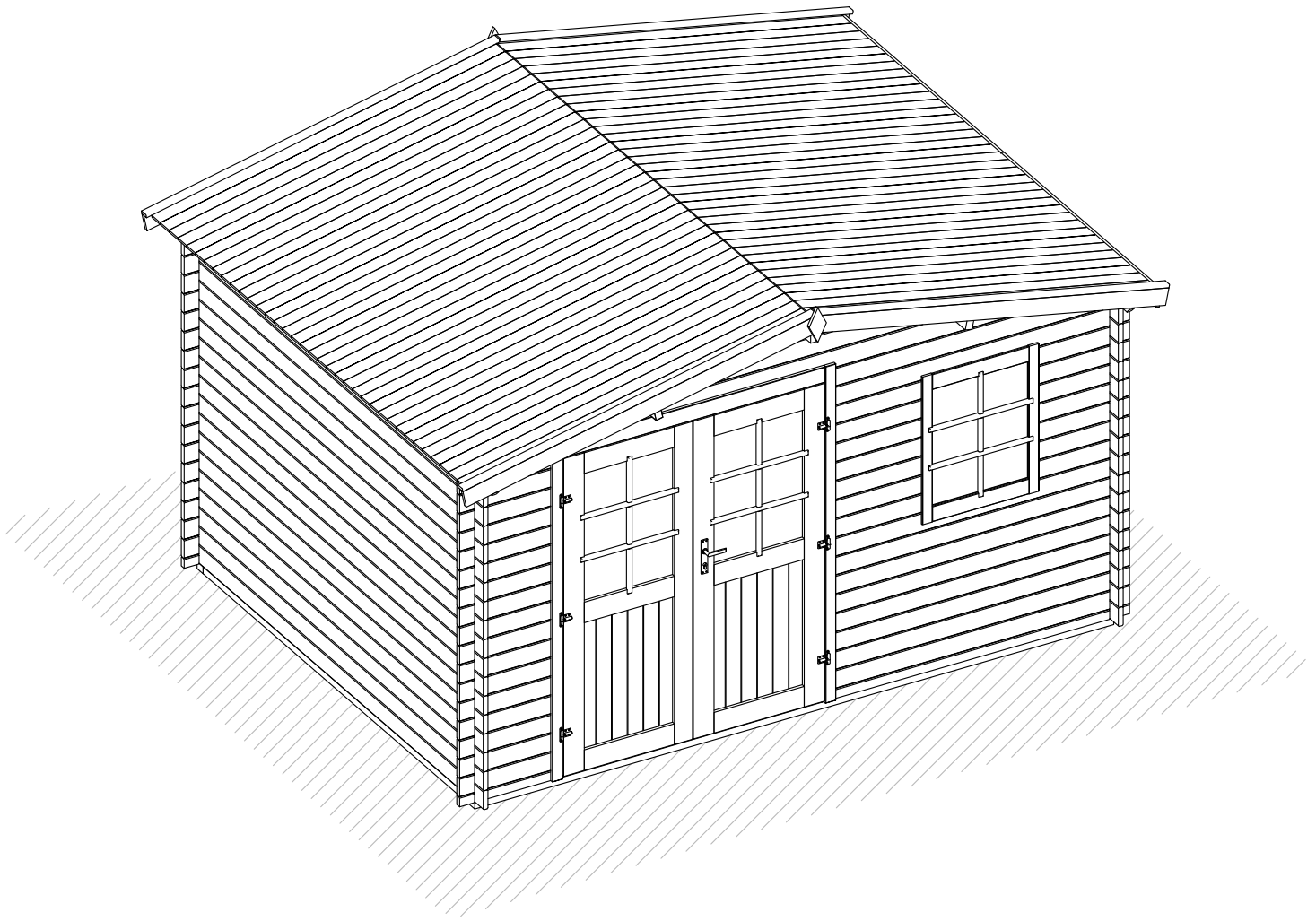


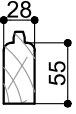


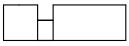
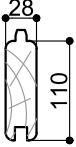

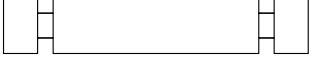

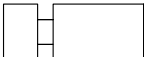

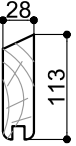

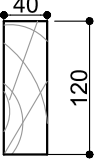
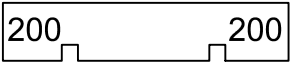
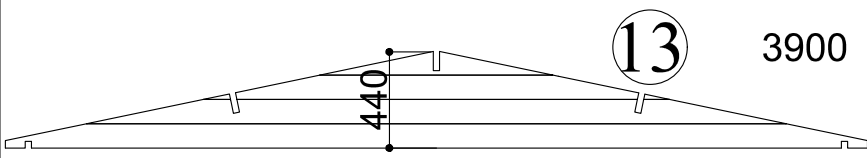
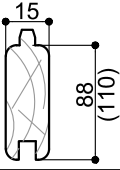
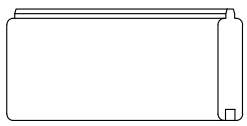
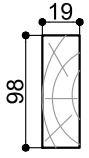

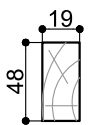
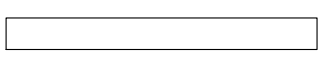
1

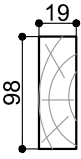
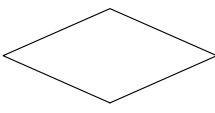
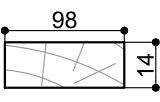
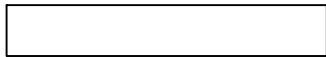
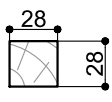
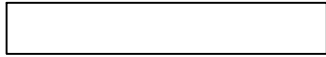
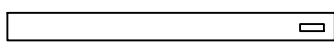
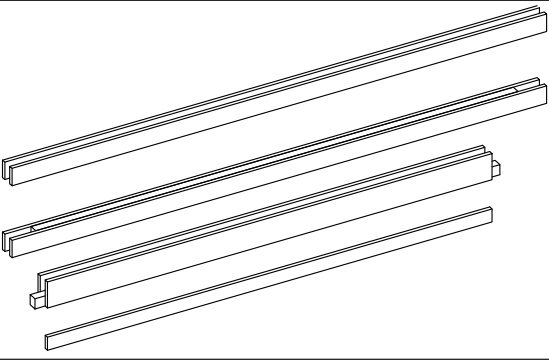
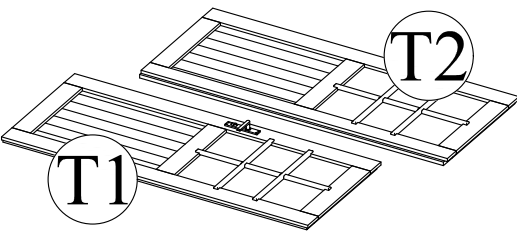
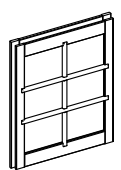
→||←28 mm

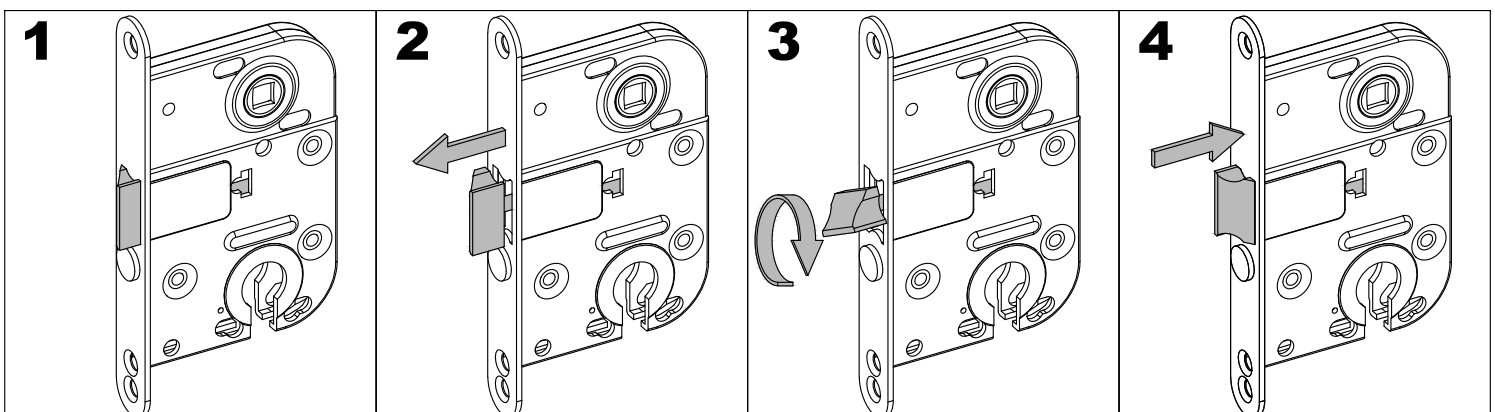
3,9 x 3,0

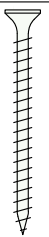
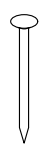
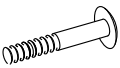


28016_22

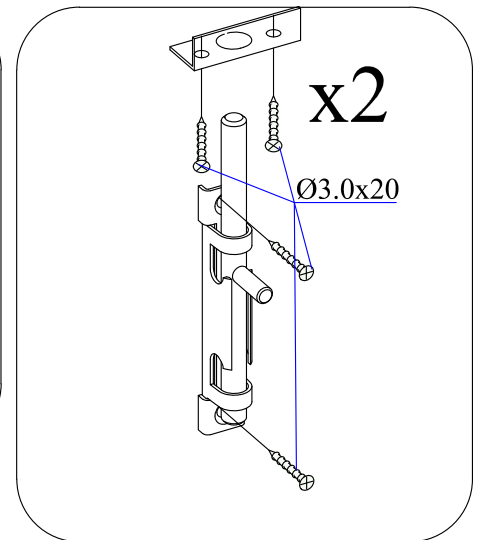
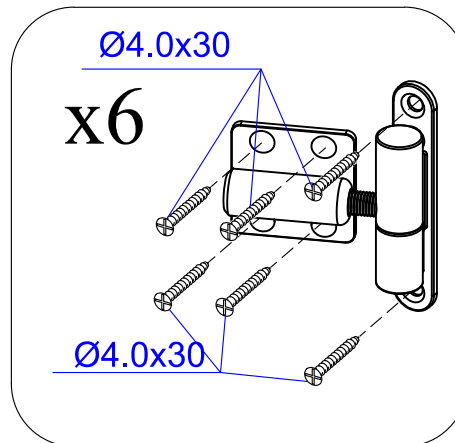
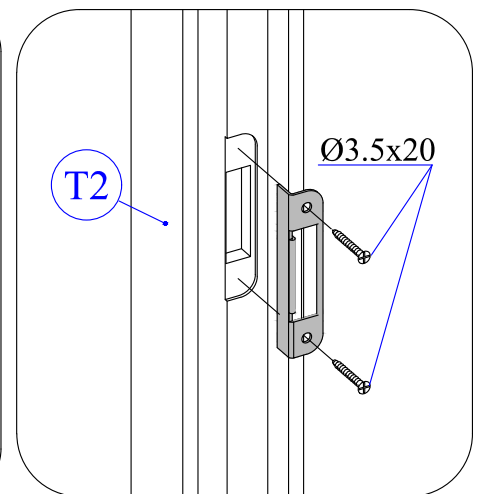
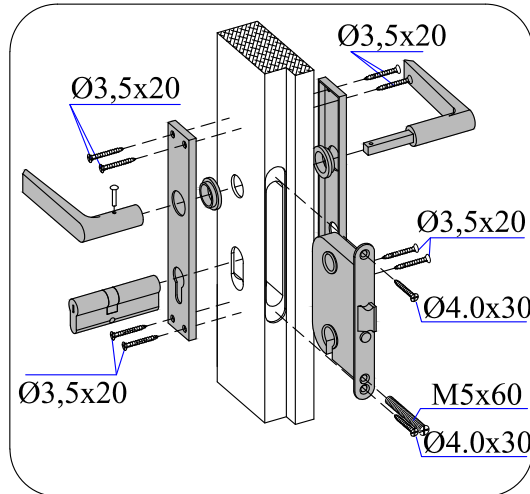


| Dim. | Skizze, Sketch | Pos. | Länge, Length,mm | Quantity Quantité | Name, Name | |
|---|---|------|---------------------|----------------------|----------------------------|--|
|  |  | ① | 3900 | 1 | Zurück Brett Back board | |
| |  | ② | 1750 | 1 | Front Brett Front board | |
| |  | ③ | 560 | 1 | Front Brett Front board | |
|  |  | ④ | 2980 | 34+1 | Zurück Brett Back board | |
| |  | ⑤ | 3900 | 17+1 | Seiten Brett Side board | |
| |  | ⑥ | 1750 | 10 | Front Brett Front board | |
| |  | ⑦ | 560 | 24 | Front Brett Front board | |
| |  | ⑧ | 560 | 7 | Front Brett Front board | |
|  |  | ⑪ | 3200 | 2 | Seiten Brett Side board | |
|  |  | ⑫ | 3200 | 3 | Sparren Rafter | |
|  | | ⑬ | 3900 | 2 | Front Brett Front board | |
|  |  | ⑭ | 2050 | 74+2 (58+2) | Dachbretter Roof board | |
|  |  | ⑮ | 2070 | 4 | Wind Brett Wind board | |
|  |  | ⑯ | 2070 | 4 | Wind Brett Wind board | |

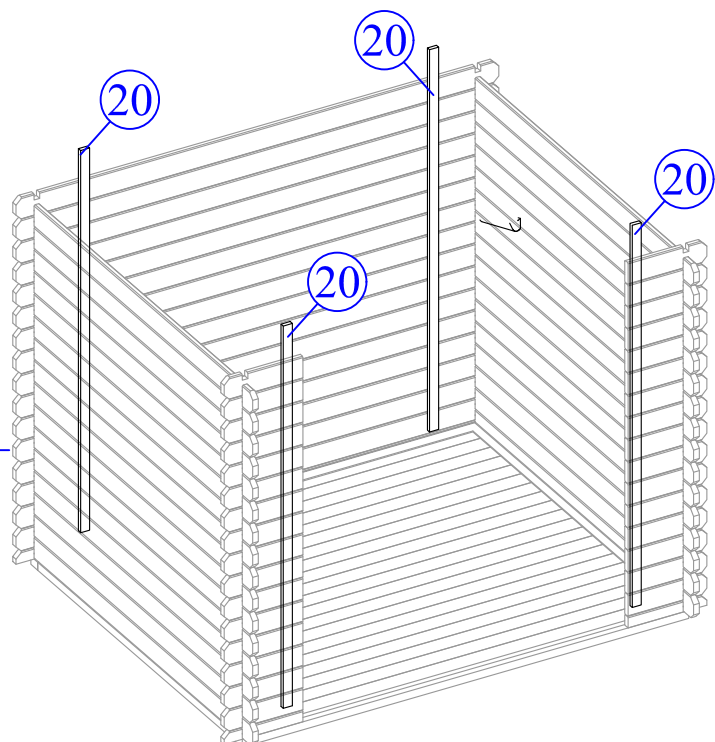
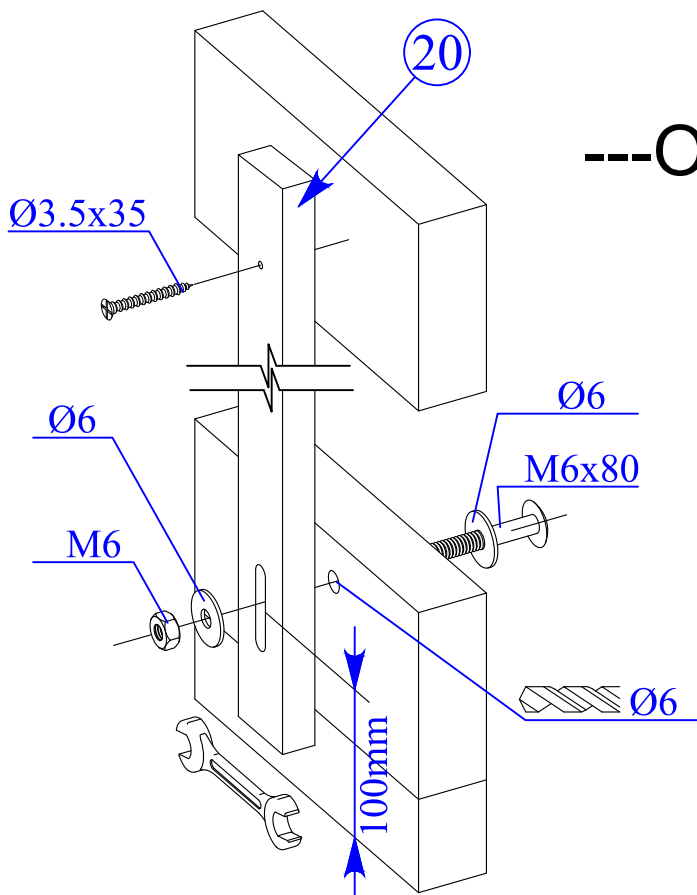
| Dim. | Skizze, Sketch | Pos. | Länge, Length,mm | Quantity Quantité | Name, Name | |
|---|---|--------------|---------------------|--------------------------------------|--------------------------|--|
|  |  | 17 | 200 | 2 | Decor | |
|  |  | 18 | 1600 | 4 | Wind Brett Wind board | |
|  |  | 19 | 1600 | 4 | Wind Brett Wind board | |
| OPTION 19x48 |  | 20 | 2000 | 4 | Wind Brett Wind board | |
|  | TR1 | 1960 | 1 | Türrahmen links Door frame left | | |
| | TR2 | 1960 | 1 | Türrahmen rechts Door frame right | | |
| | TR3 | 1580 | 1 | Über Türrahmen Door frame top | | |
| | TR4 | 1510 | 1 | Türstufe Door frame bottom | | |
|  | T1 | 1850x 765 | 1 | Tür Doors | | |
| | T2 | 1850x 765 | 1 | Tür Doors | | |
|  | | F1 | 700x 780 | 1 | Fenster Window | |



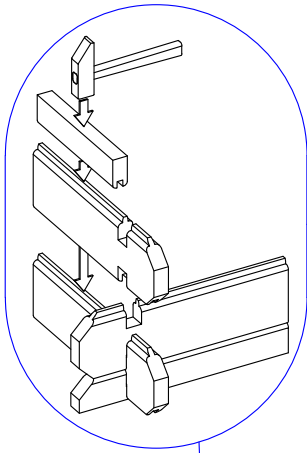
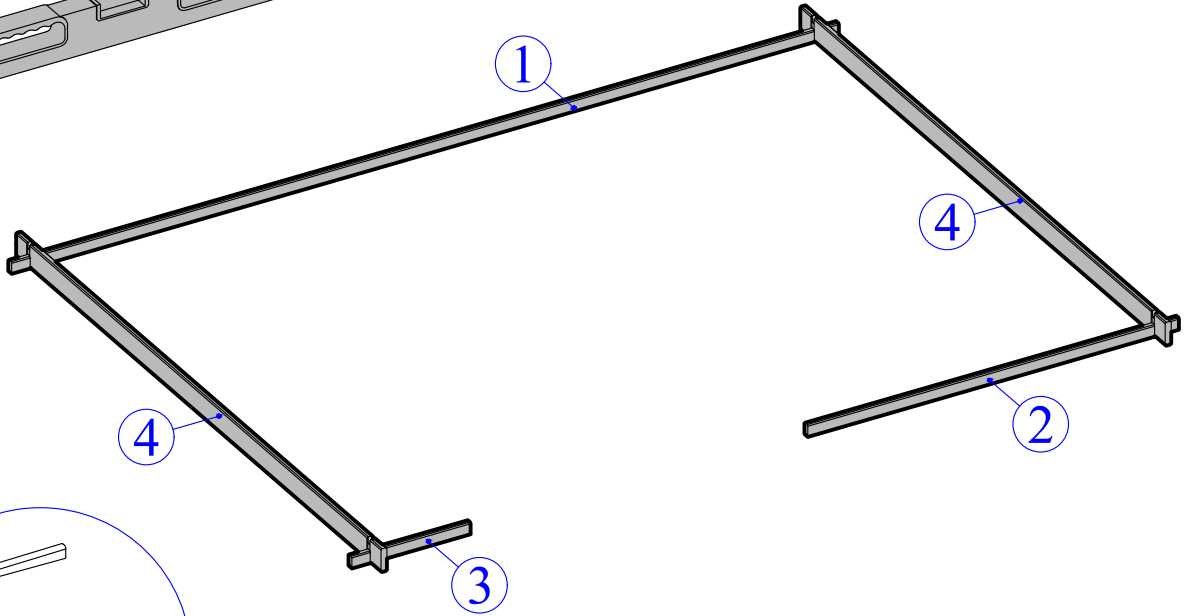
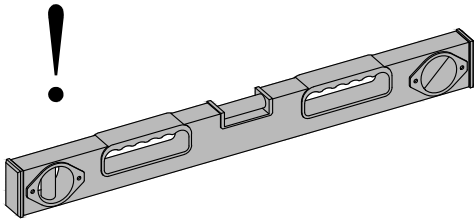
| | Pos. | Dim | Quant. |
|---|------|------------|--------|
|  | | Ø5.0 x 100 | 4 |
| | | Ø3.5 x 40 | 70 |
|  | | Ø2.0 x 40 | 230 |
| | | | |
|  | | M8 x 60 | 4 |
|  | | | 8 |
|  | | M8 | 4 |



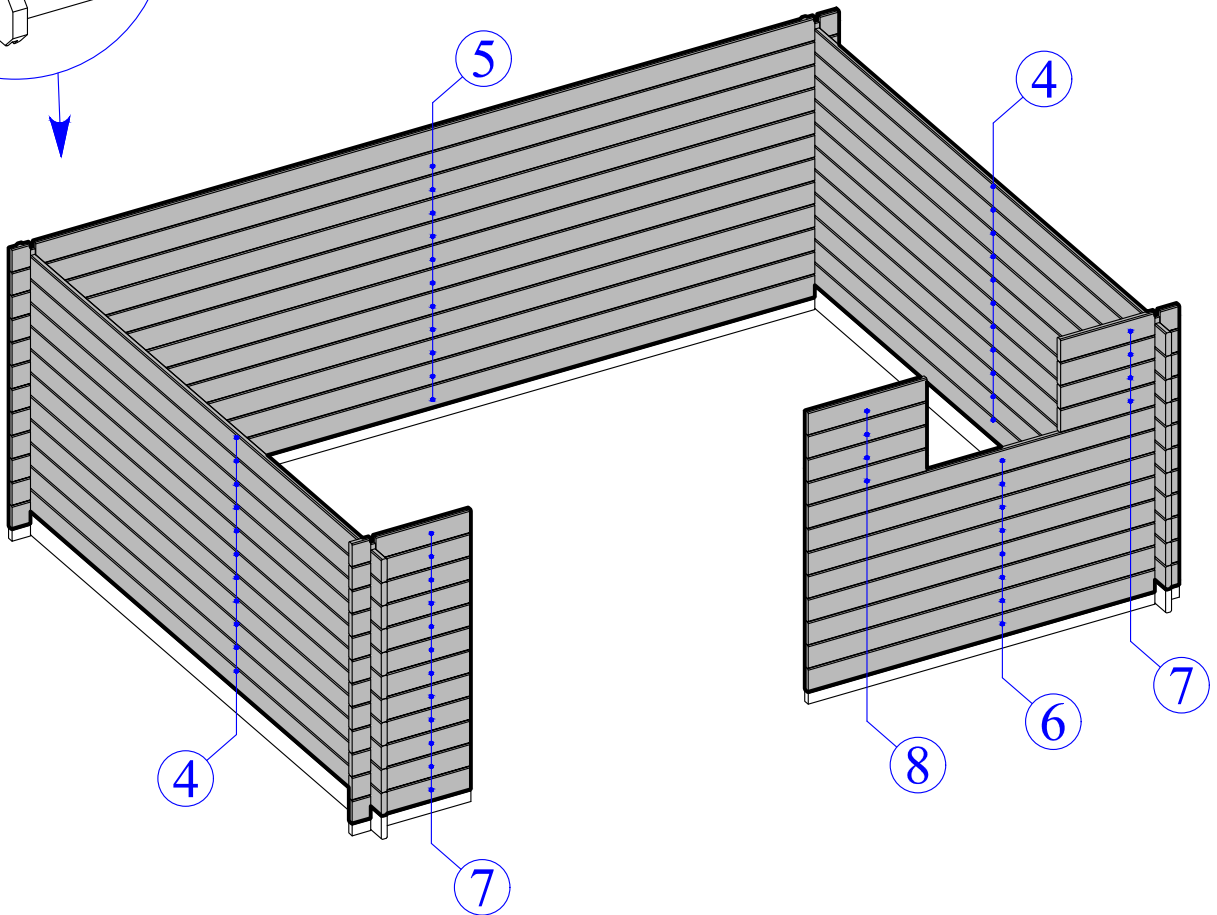
---OPTION---

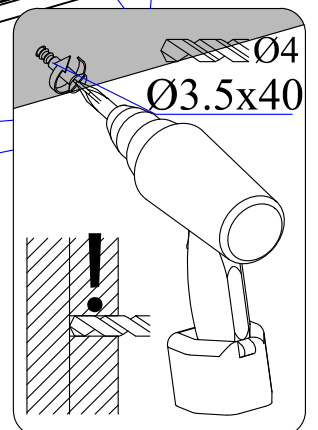
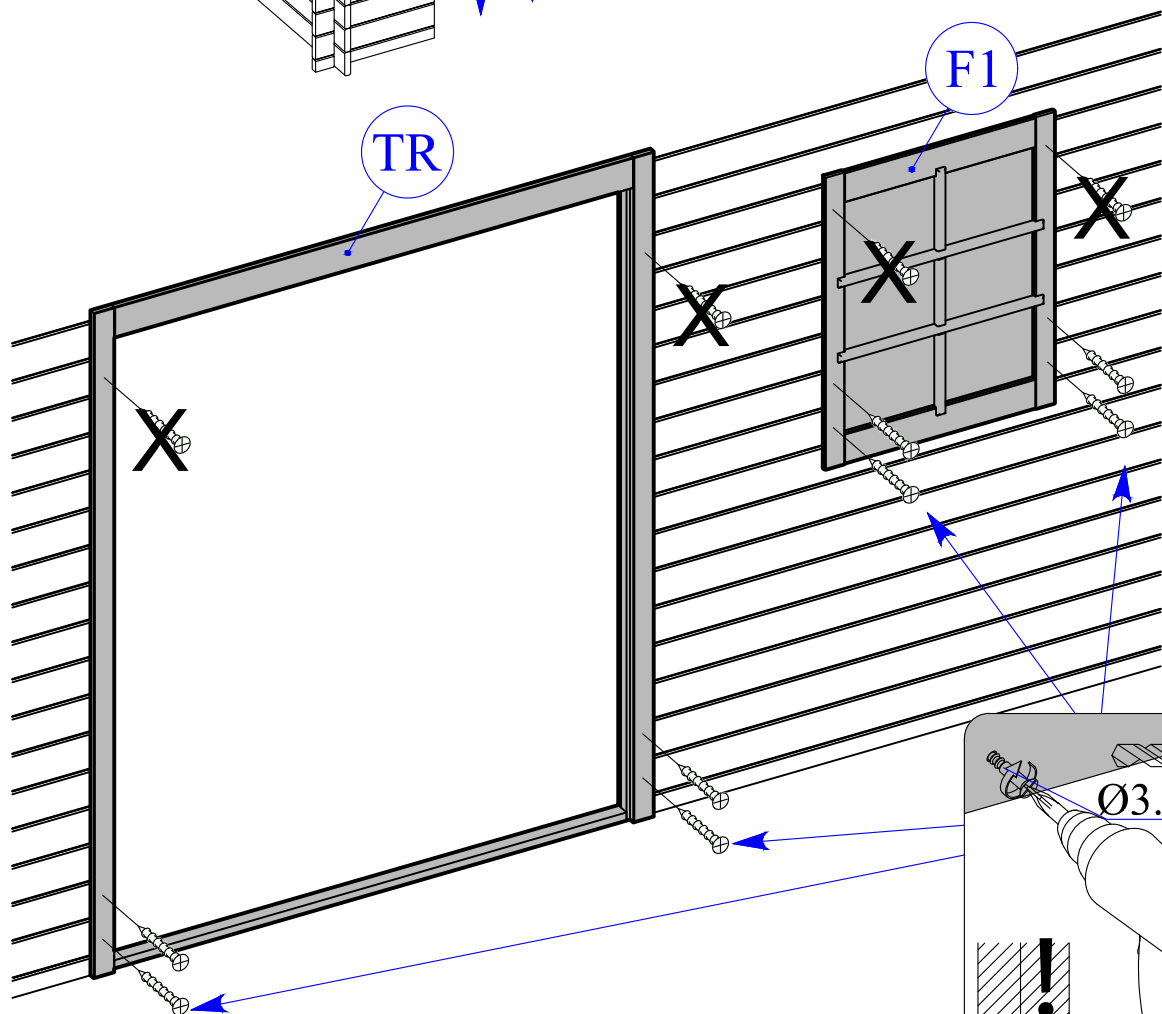
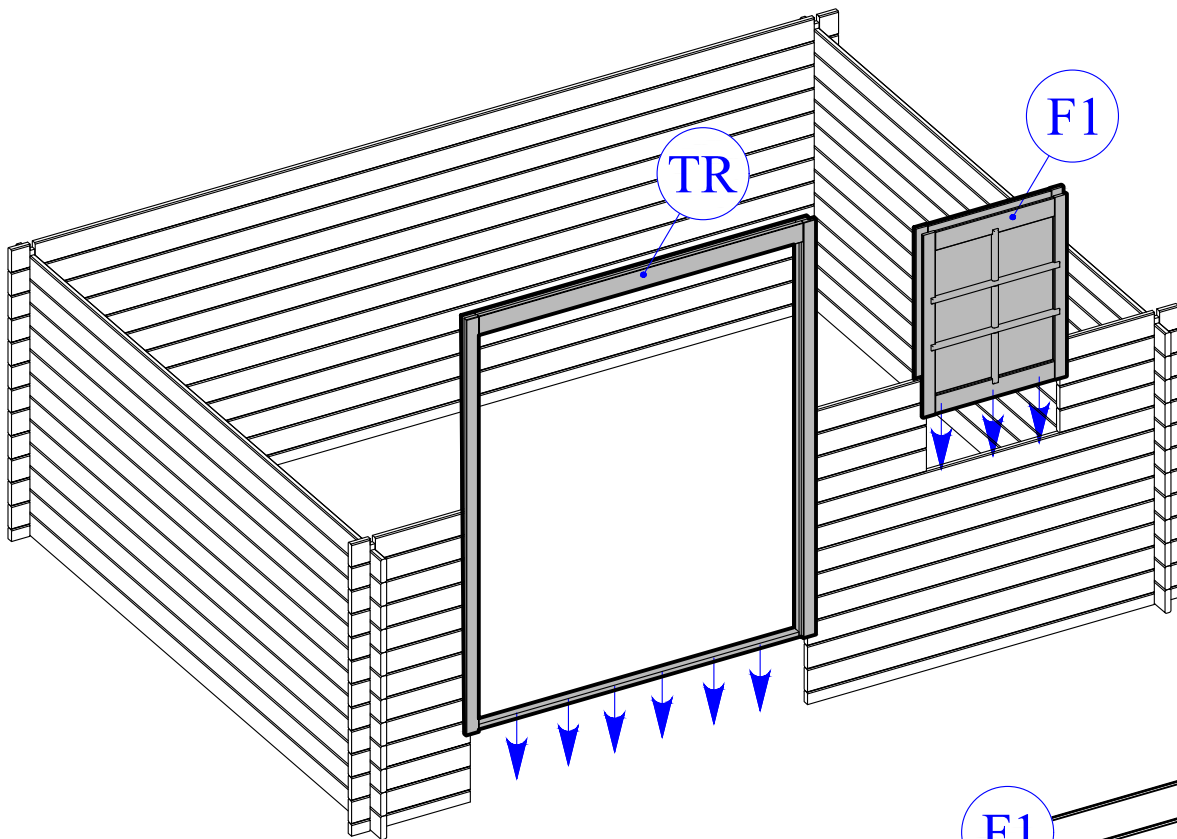


1

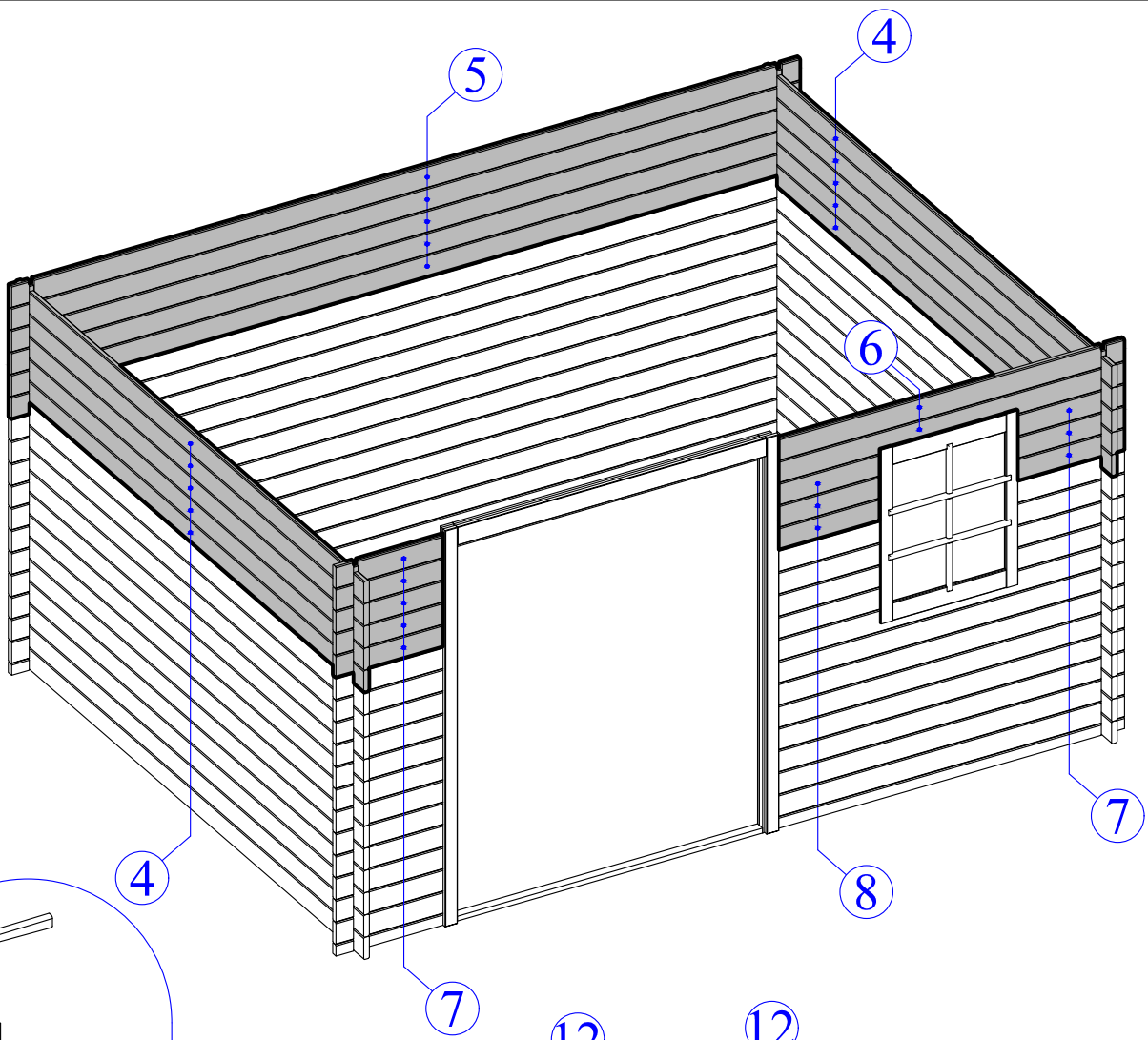


2

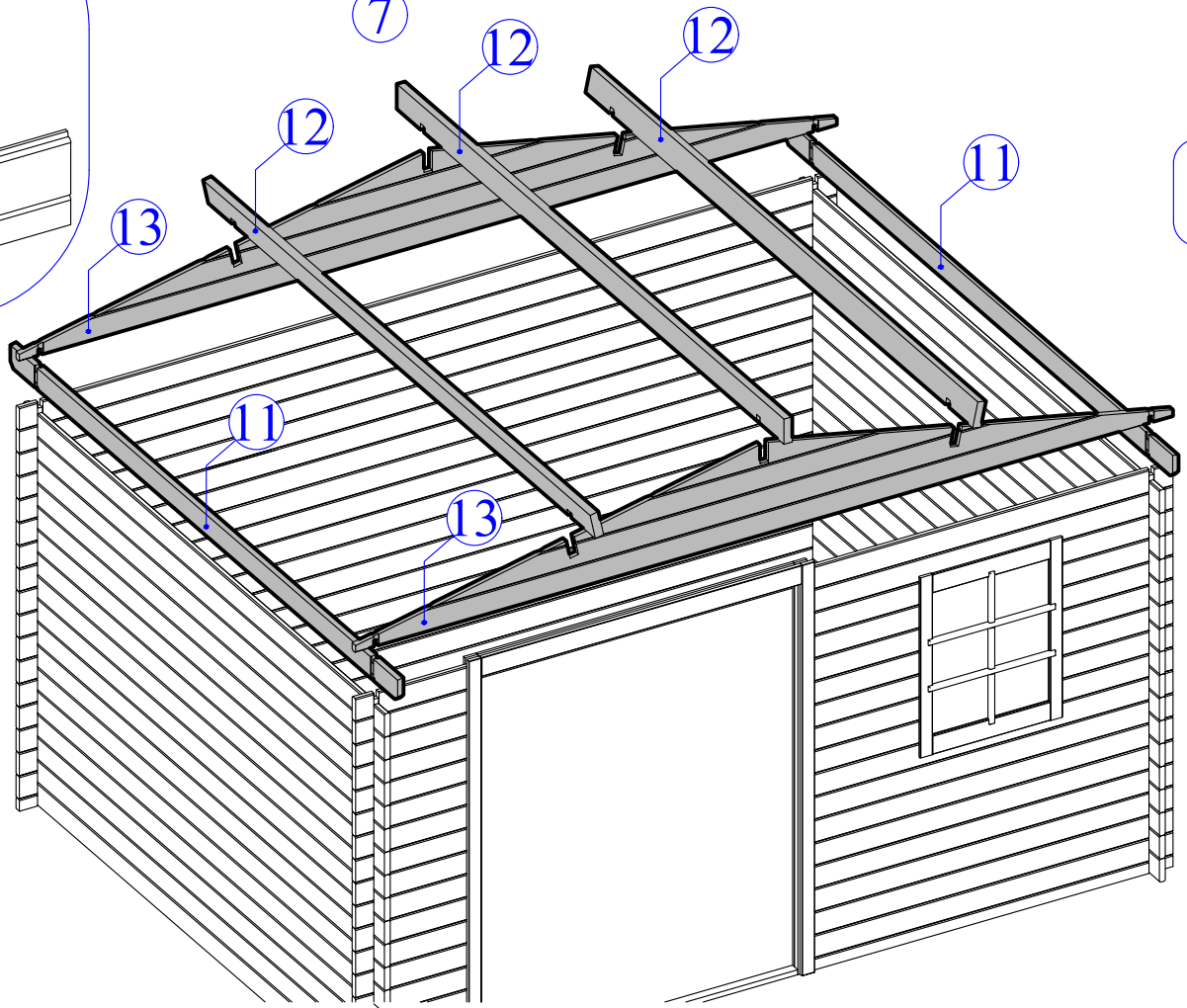




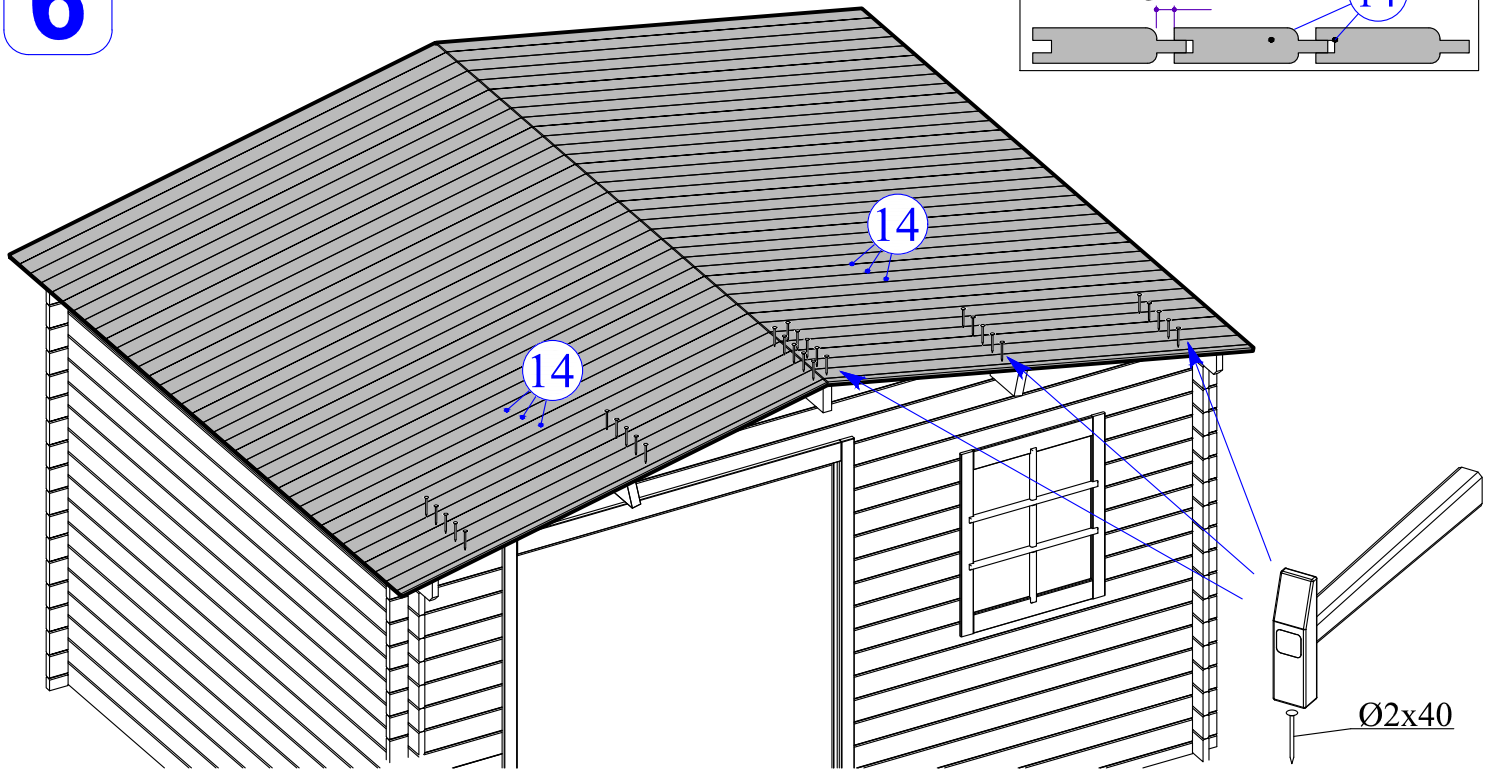
4



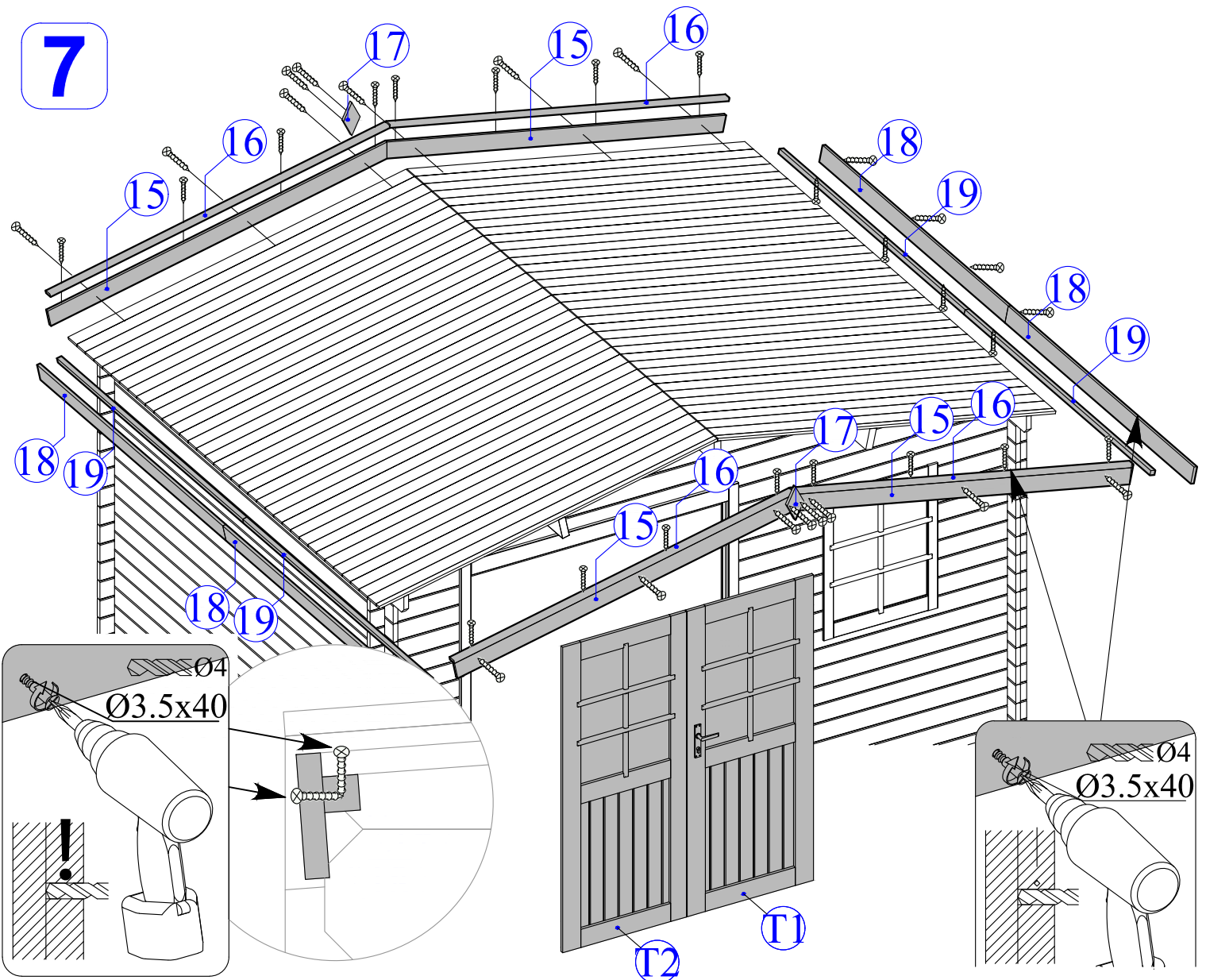
5

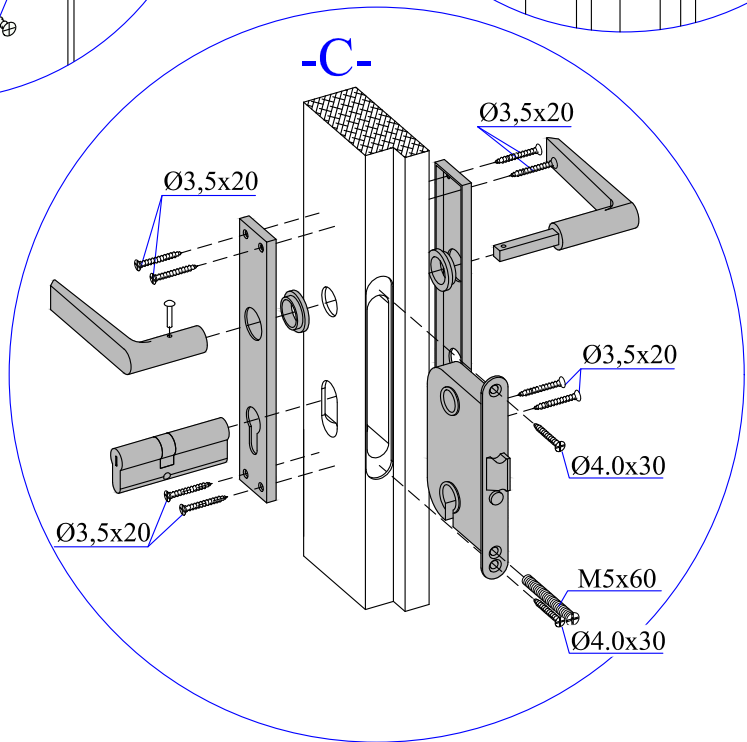
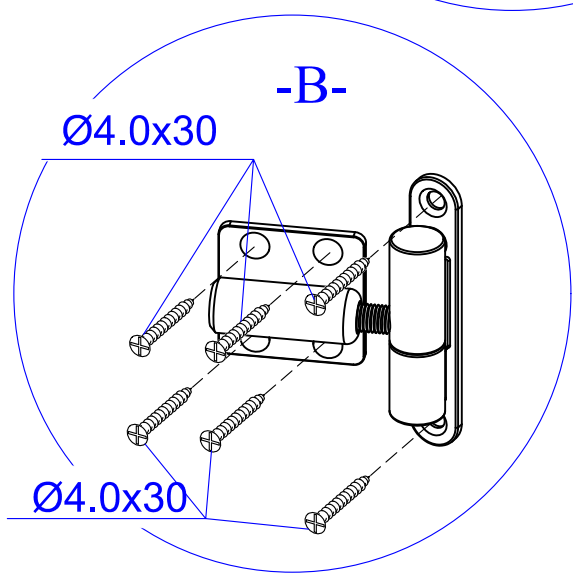
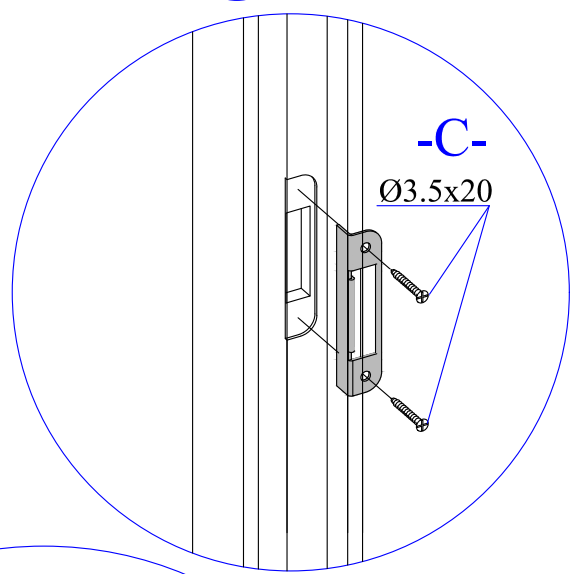
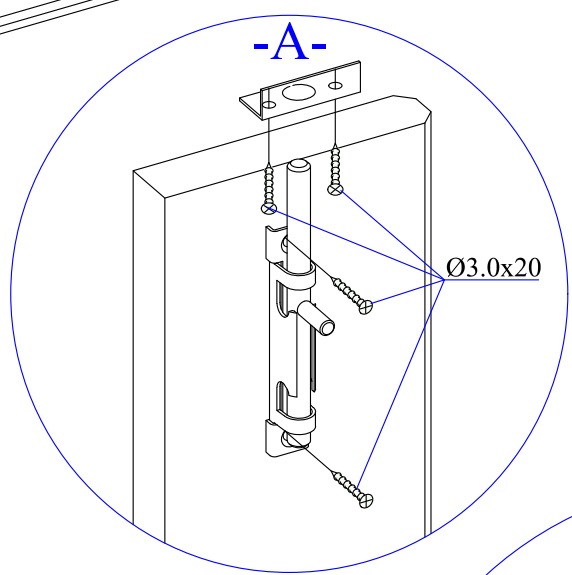
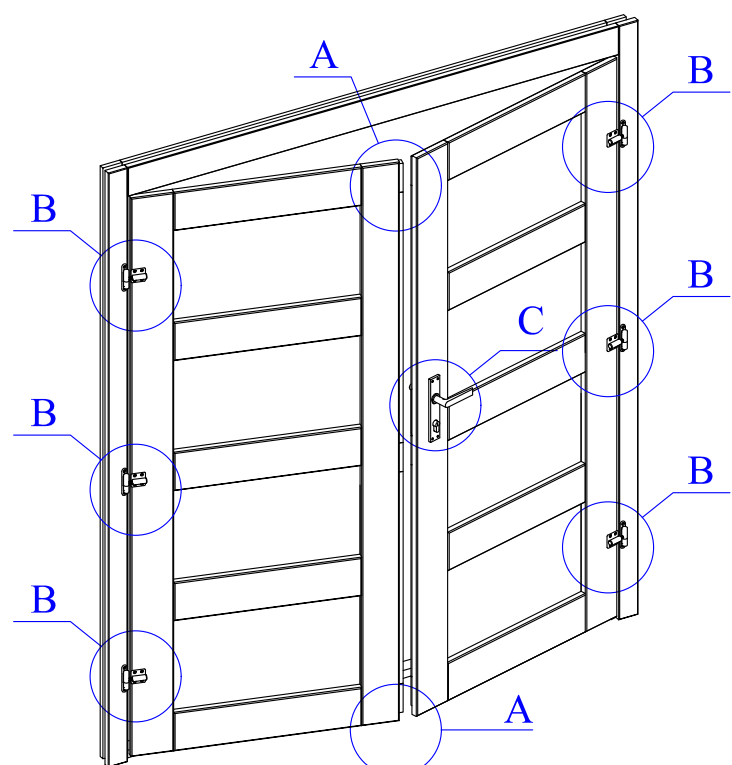
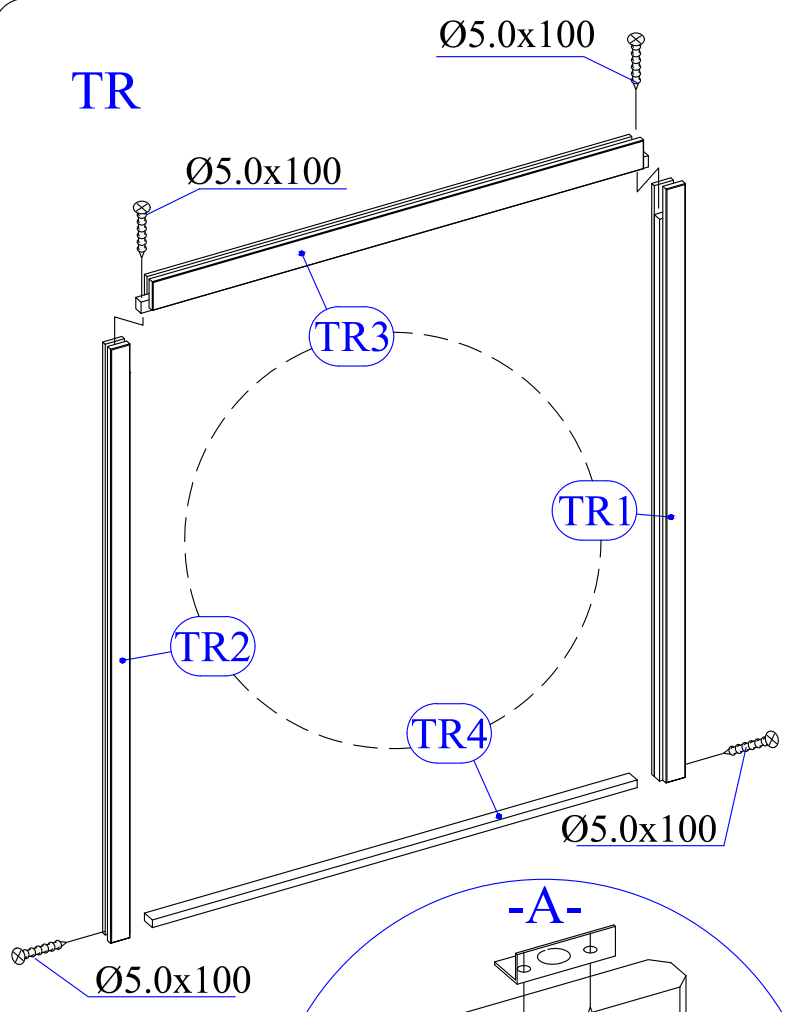


6



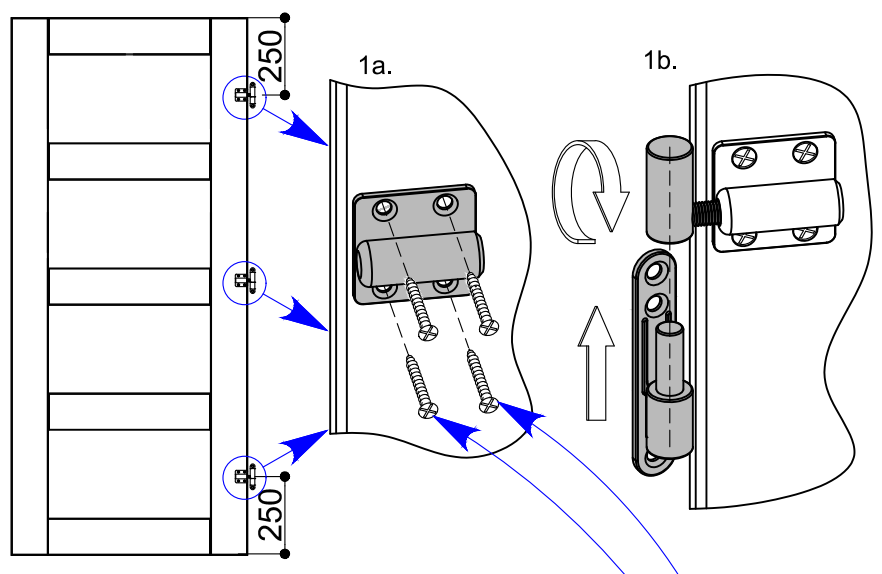
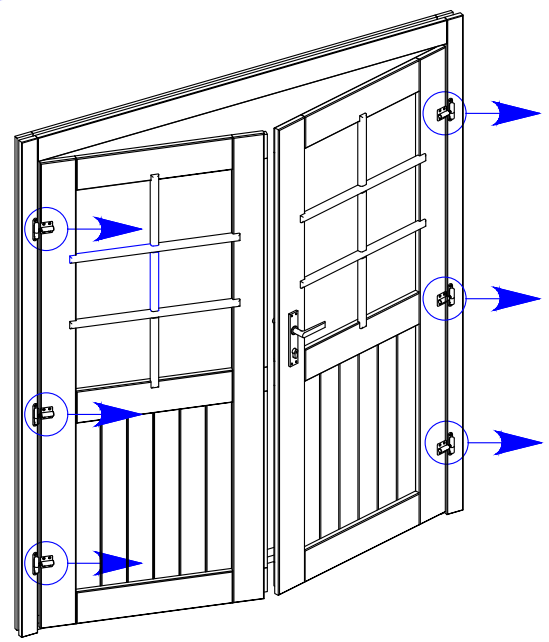
7



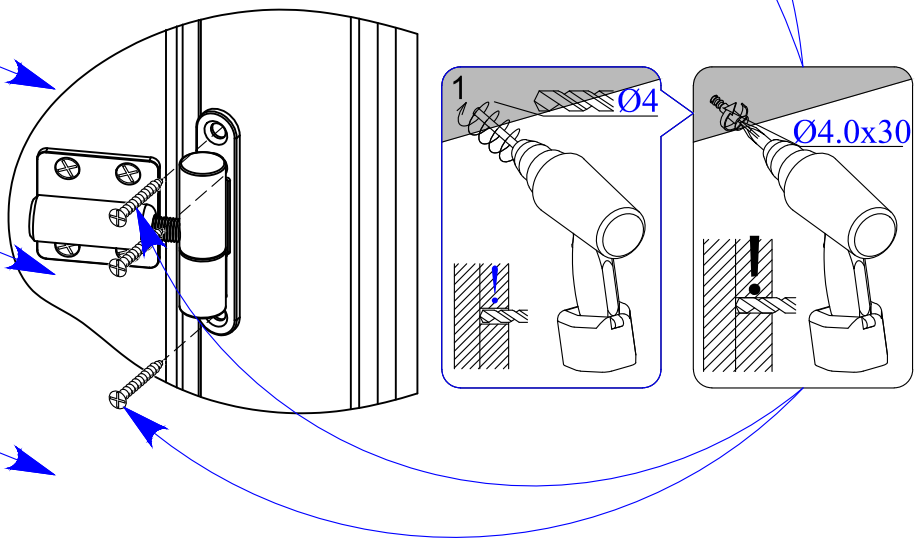
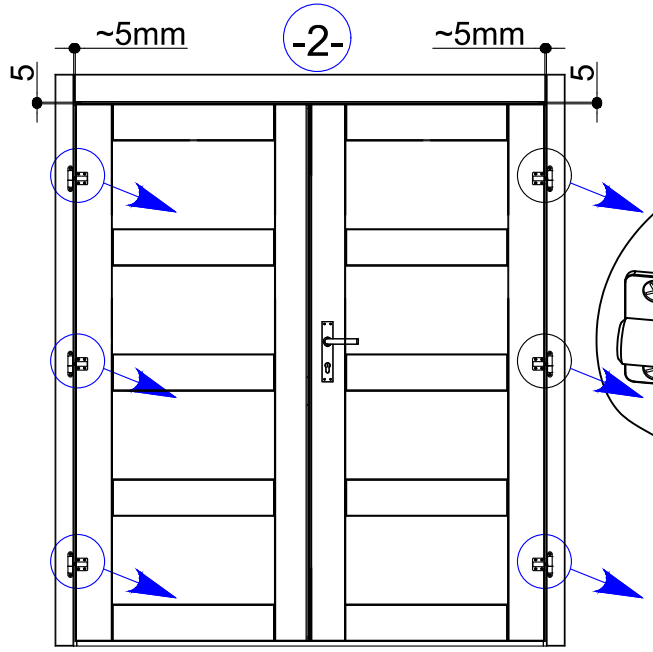


-B-

-1-



-2-



-3-

