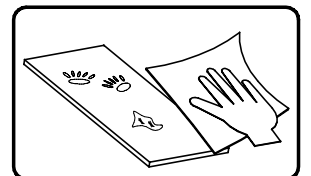
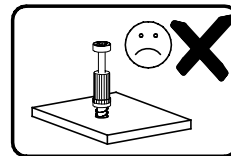
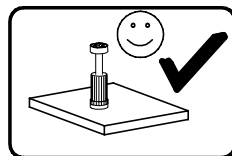
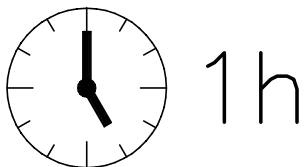
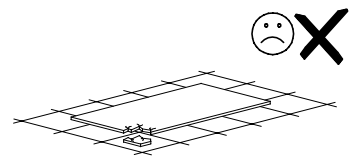
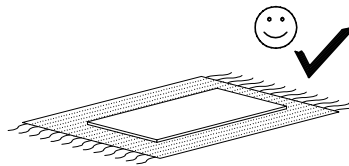
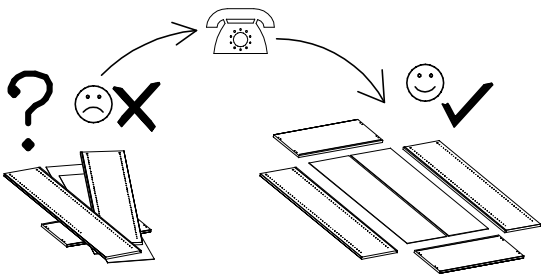
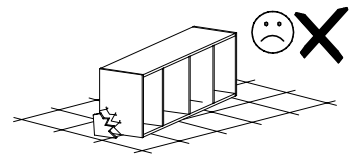
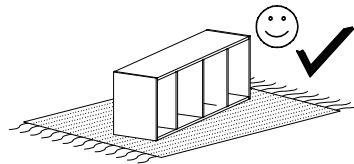
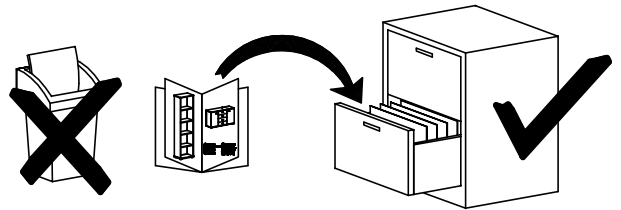
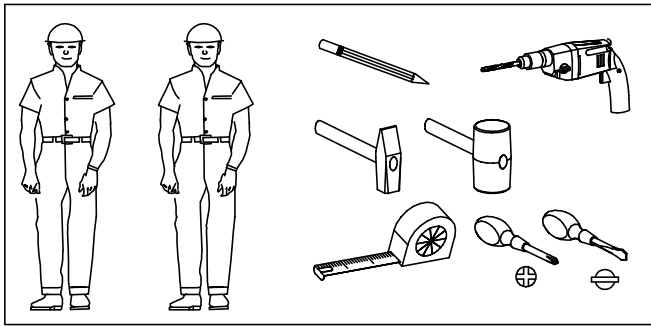
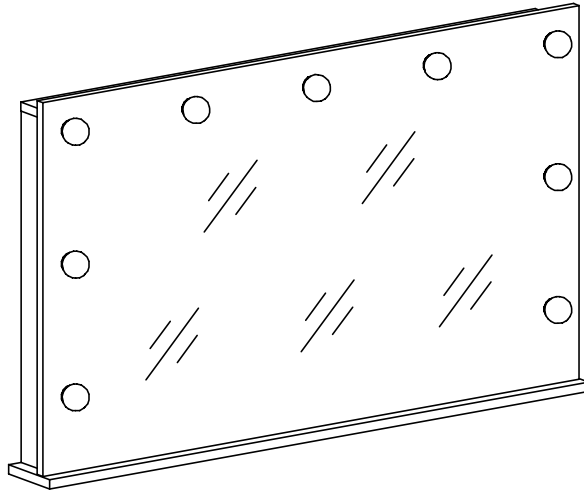
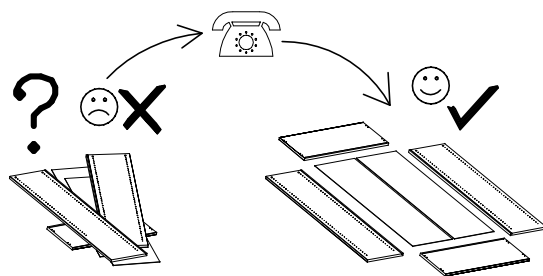
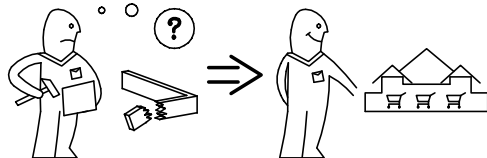
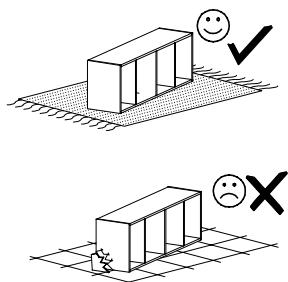
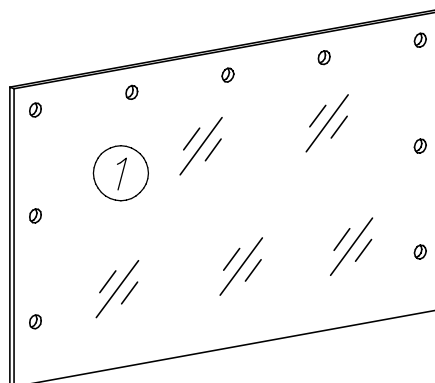
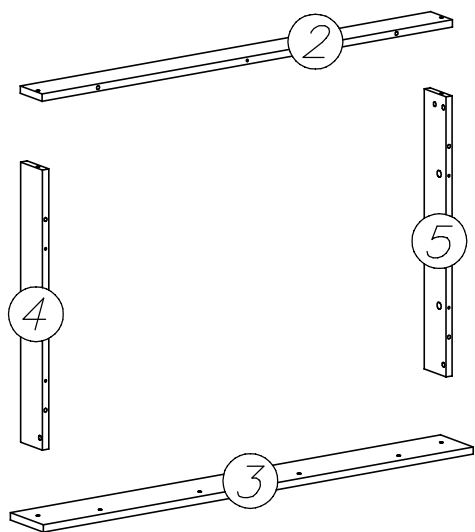


MADA ELITE

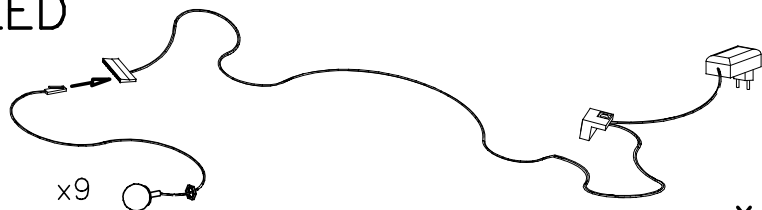




nr	L[mm]	B[mm]	T[mm]	Menge	Colli
1	1100	650	16	1	1/1
2	1055	79	16	1	1/1
3	1104	120	16	1	1/1
4	611	79	16	1	1/1
5	611	79	16	1	1/1



LED

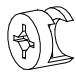
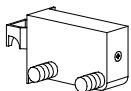
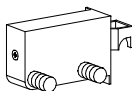


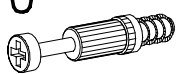

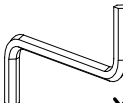
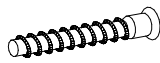



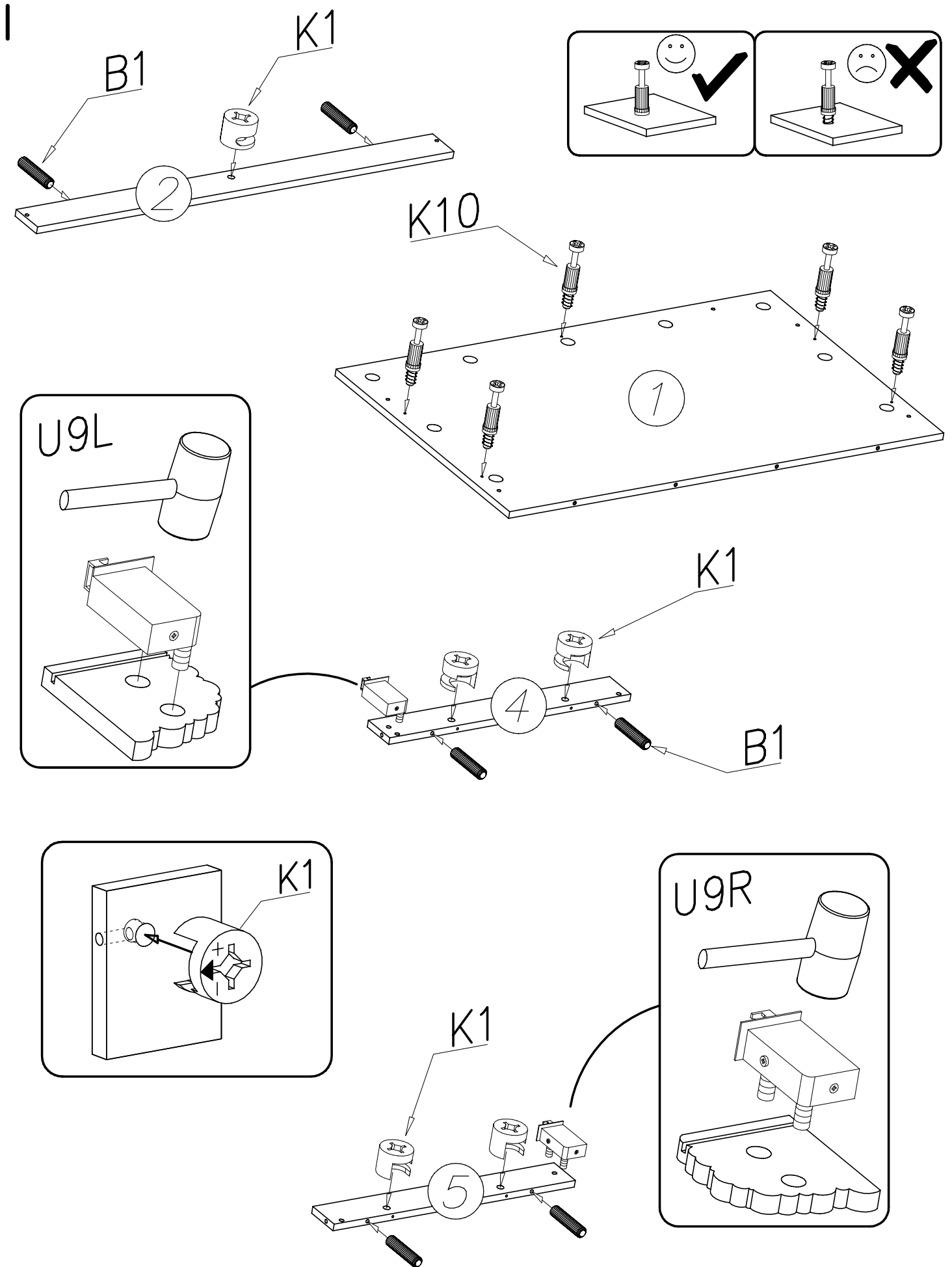
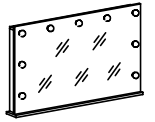
G3

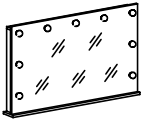


4x30

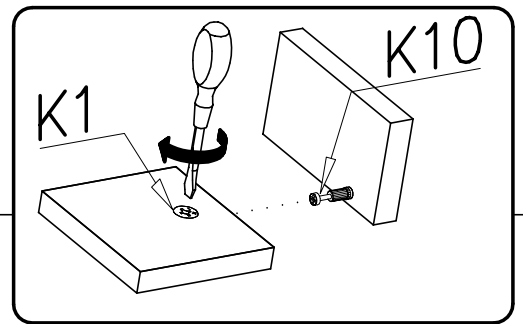
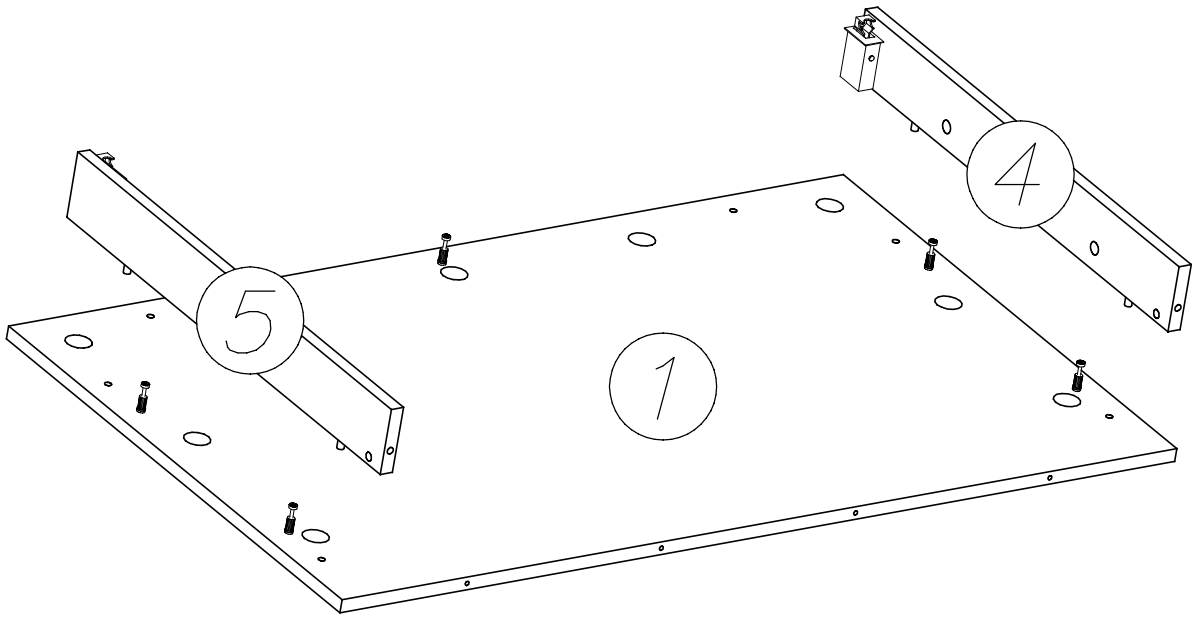
x...(2)

K1  $\varnothing 15 \times 12$ x...(5)	U9L  x...(1)	U9R  x...(1)	I7  $\varnothing 18$ x...(5)	I10  $\varnothing 10$ x...(1)
K10  x...(5)	B1  $\varnothing 8 \times 35$ x...(6)	W2  x...(1)	A1  $\varnothing 7 \times 50$ x...(8)	I9  $\varnothing 12$ x...(8)

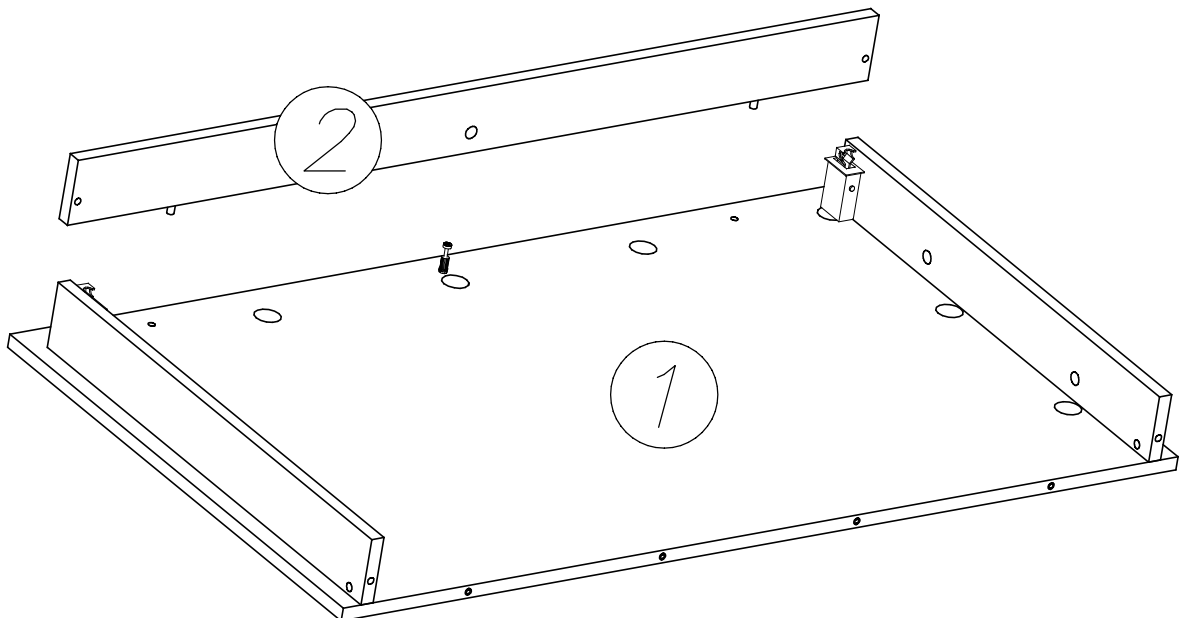


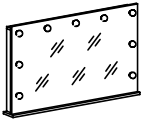


II

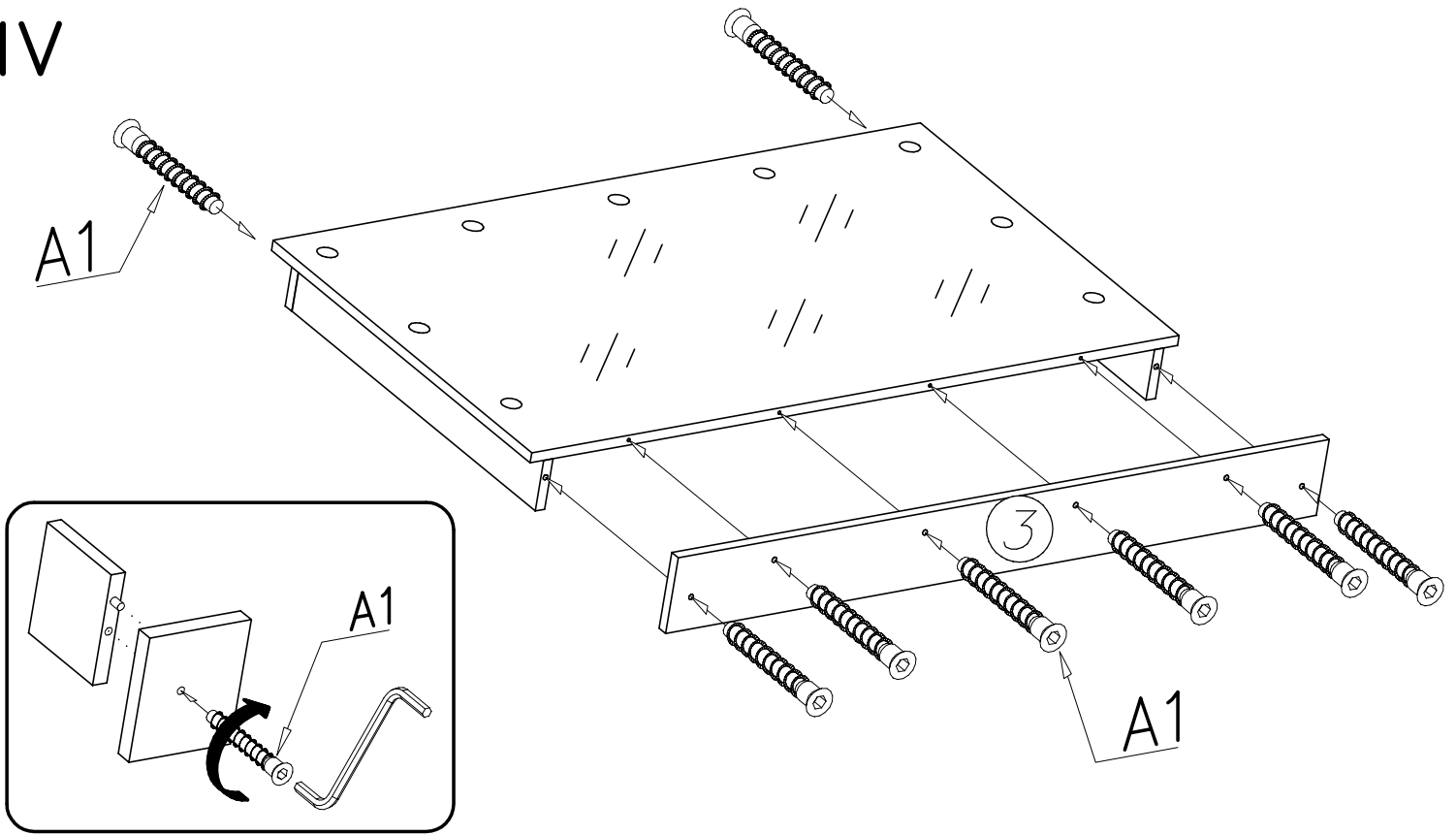


III

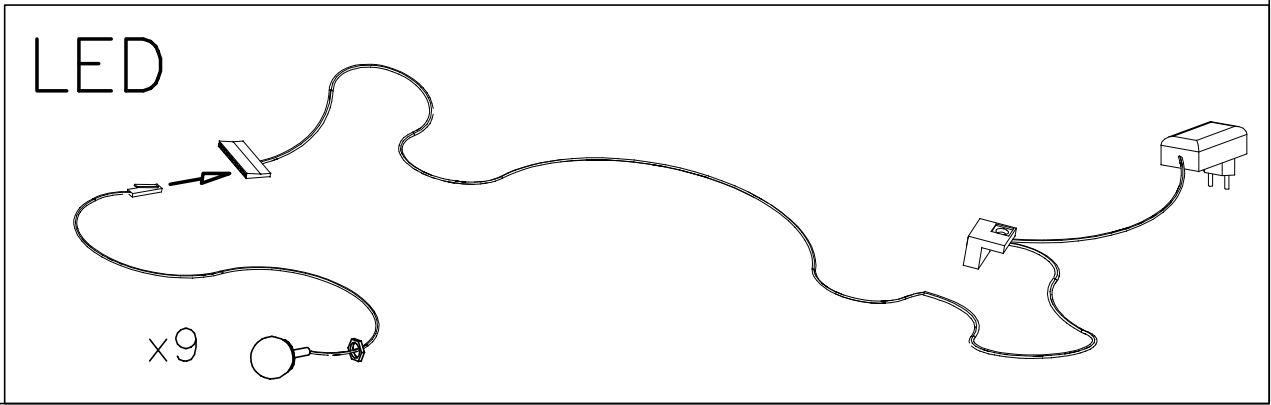
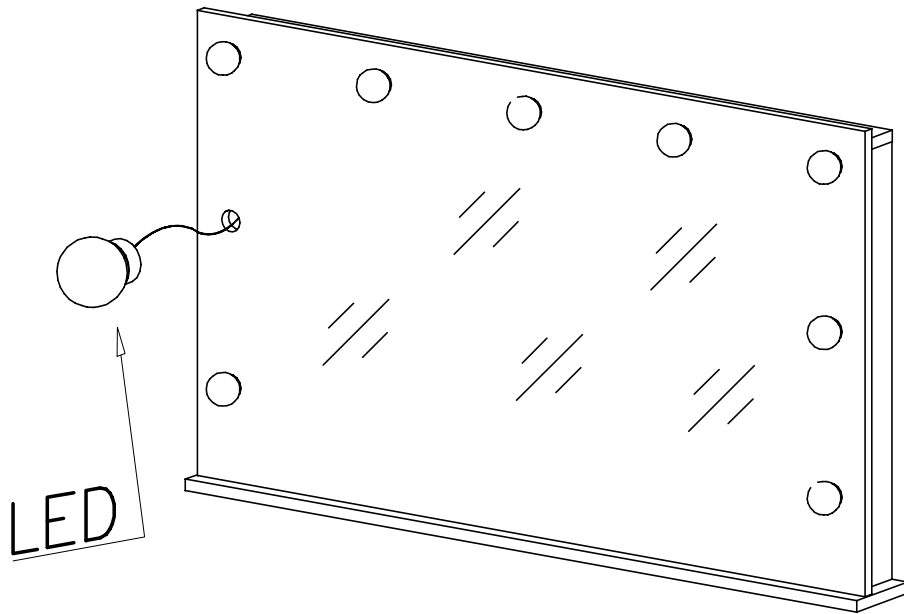


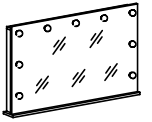


IV

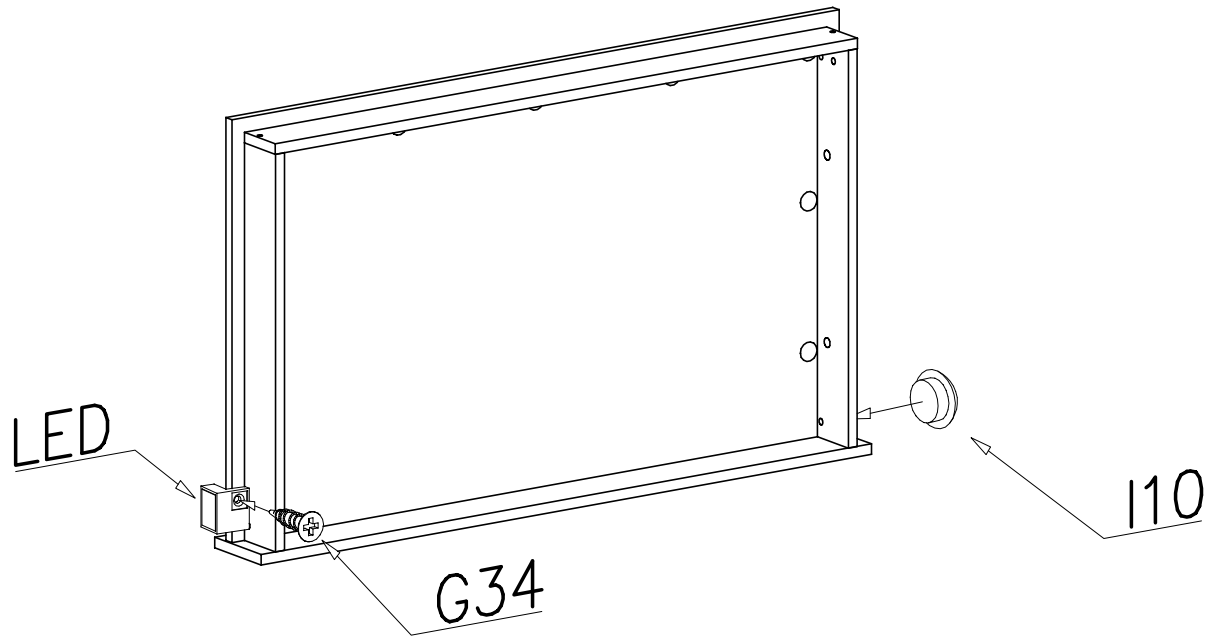


V



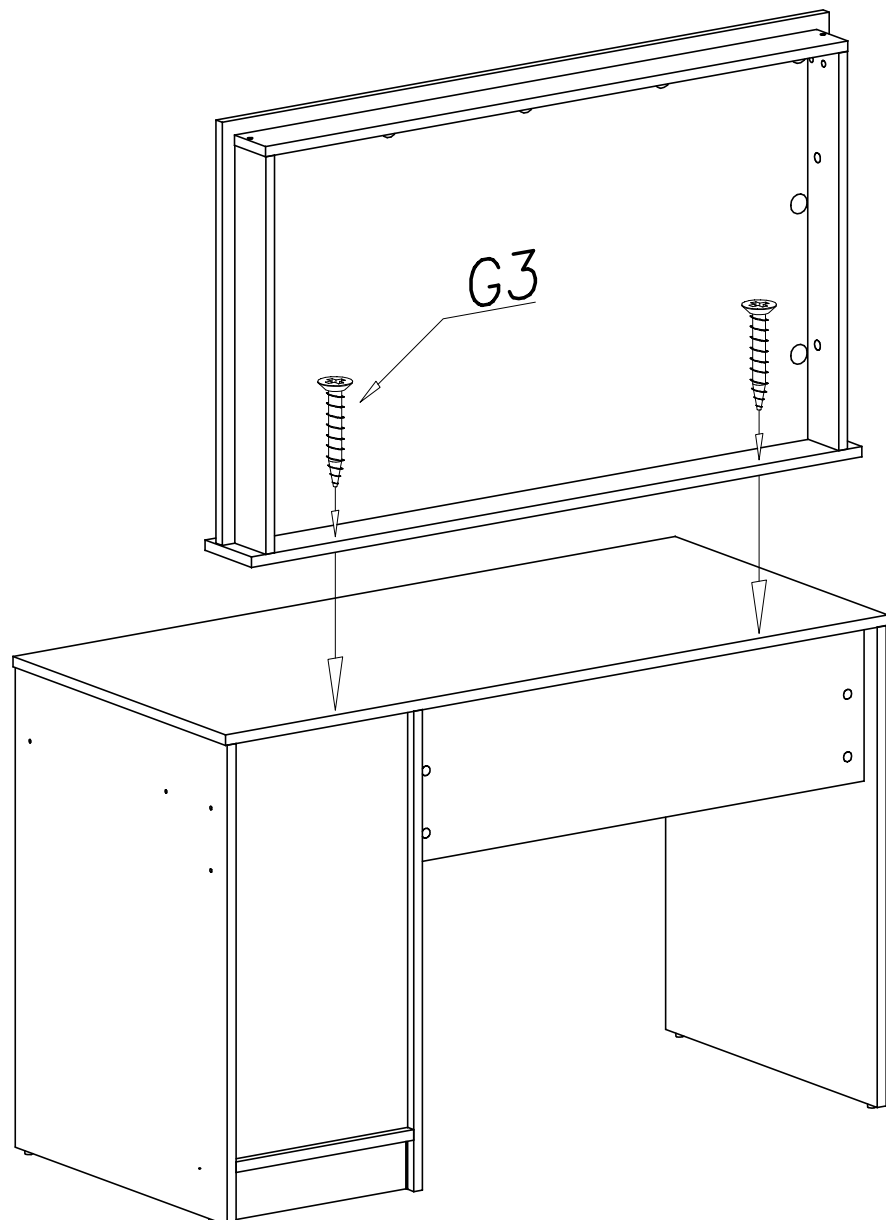
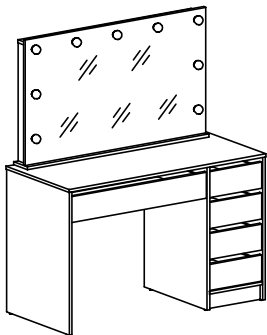


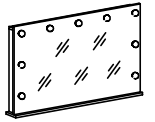
VI



VII

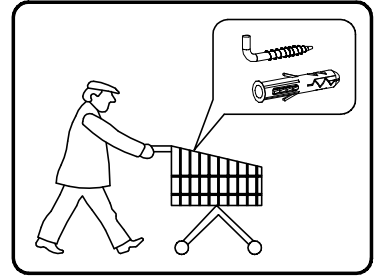
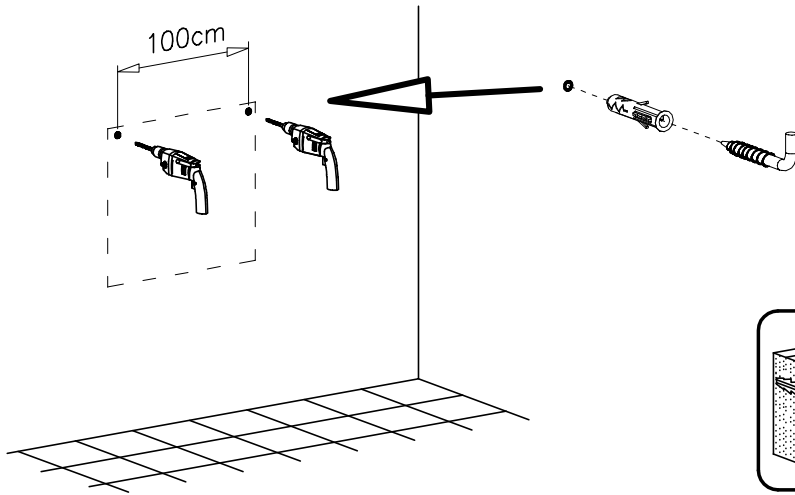
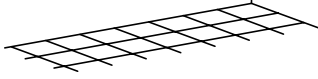
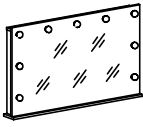
wersja A



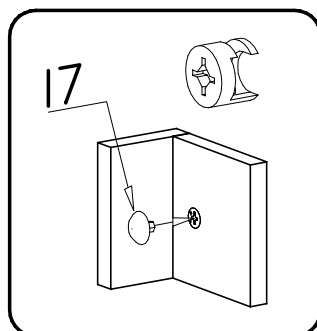
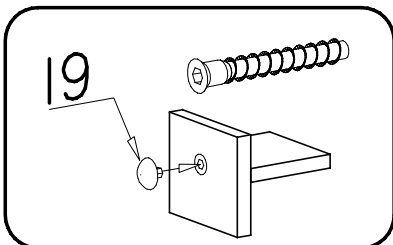
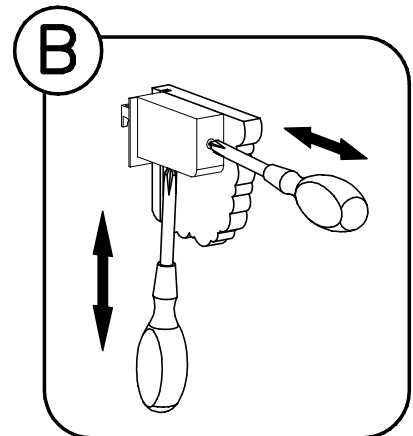
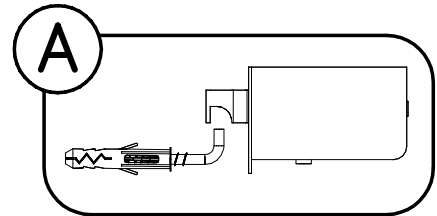
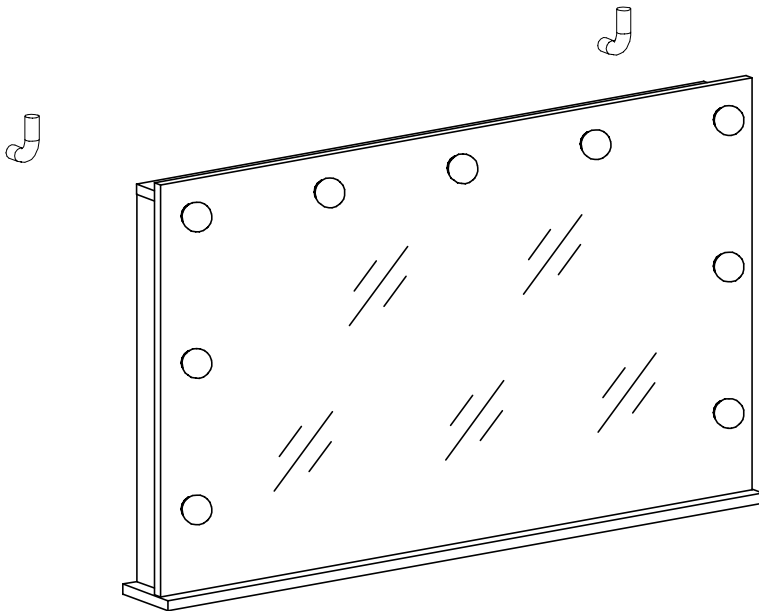


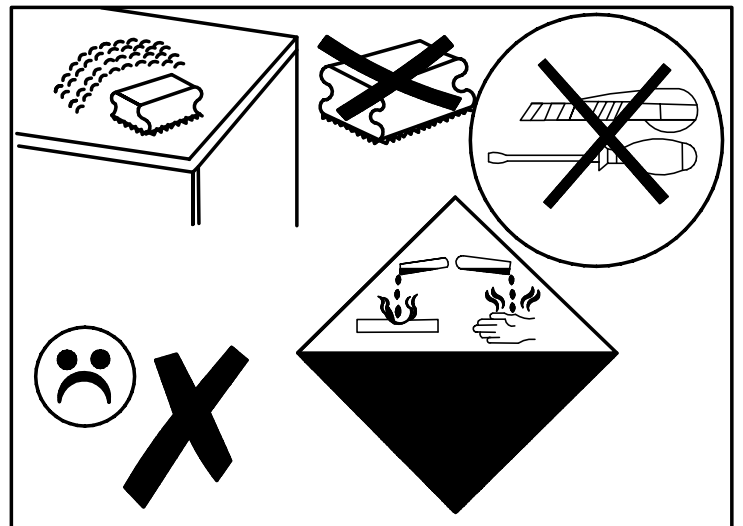
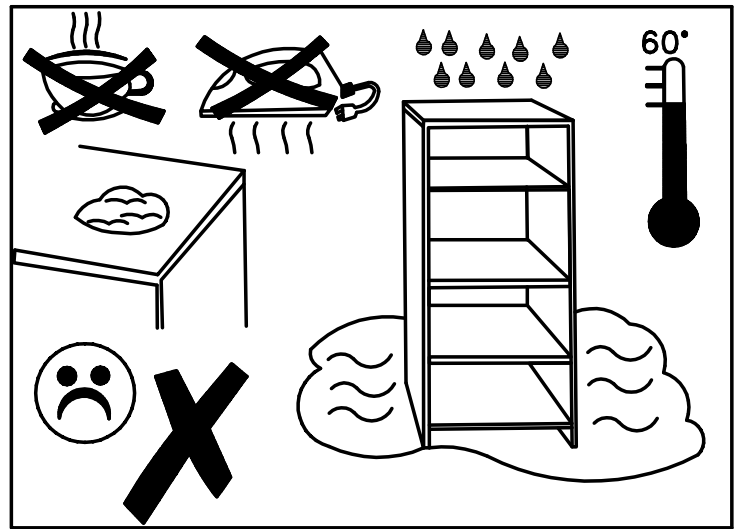
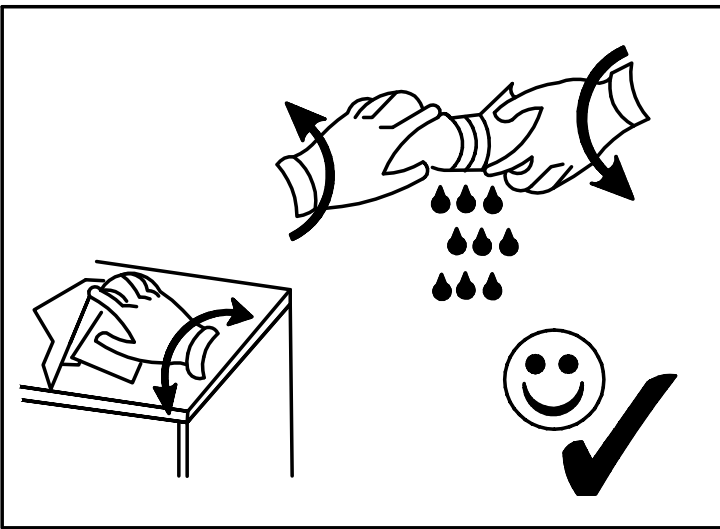
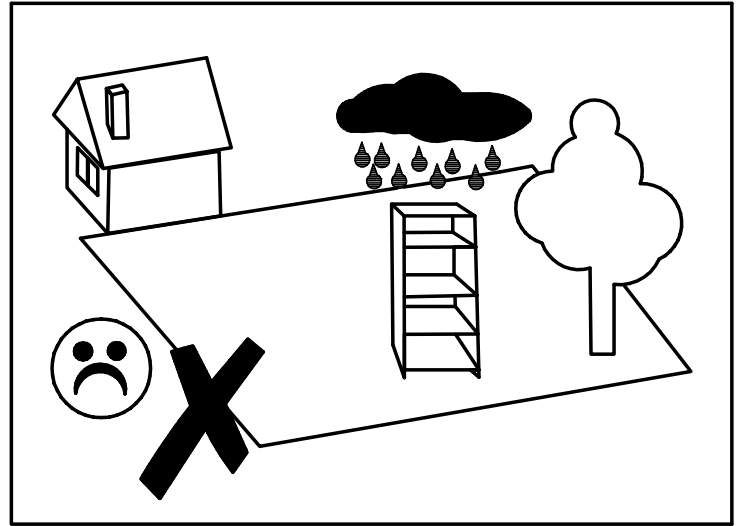
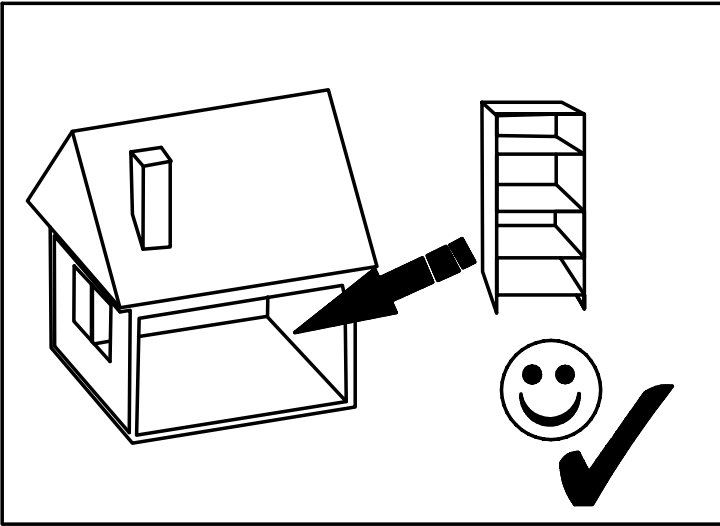
VIII

wersja B



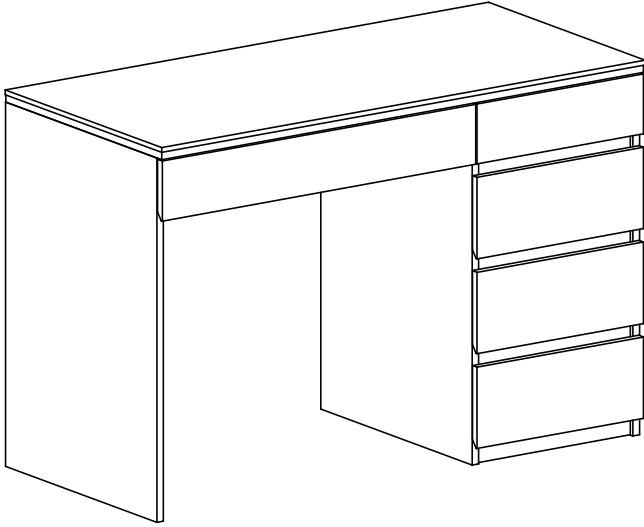
IX



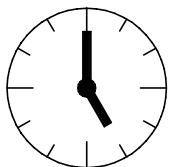
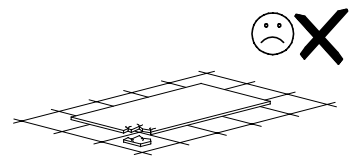
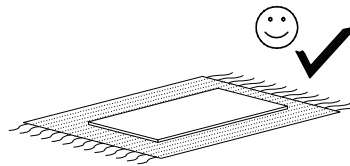
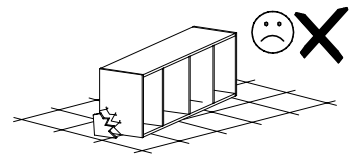
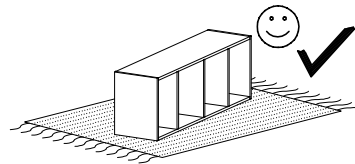
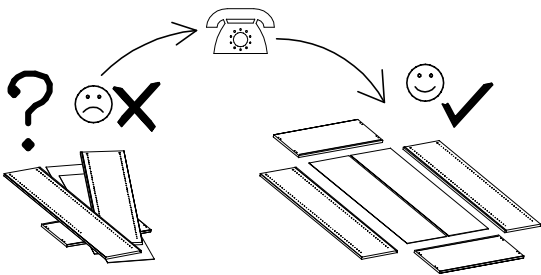
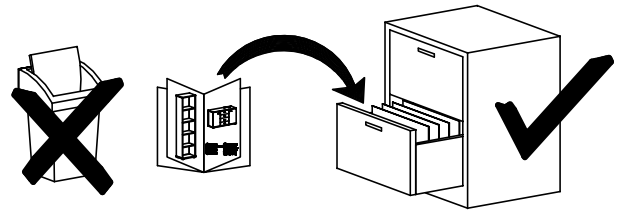
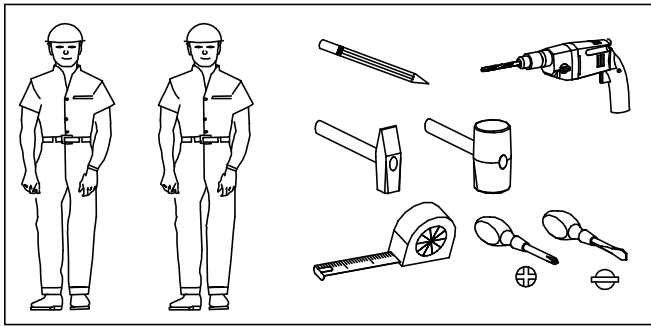
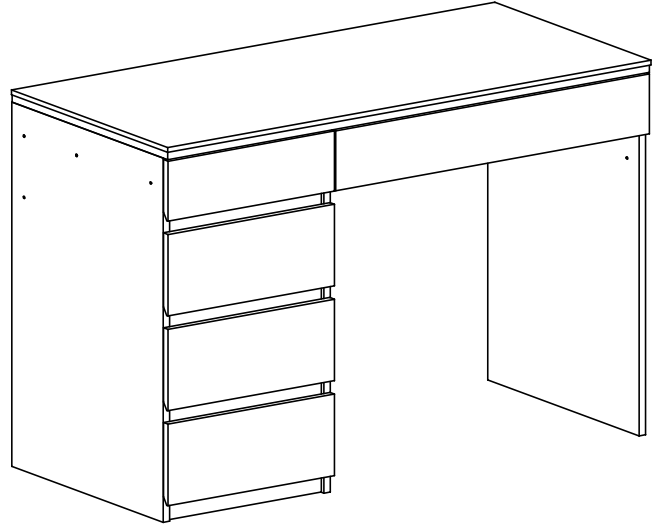


AURORA biurko

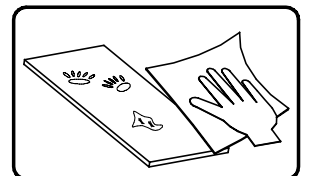
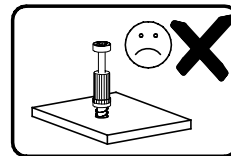
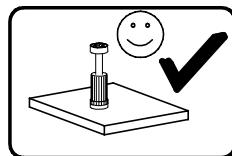
L



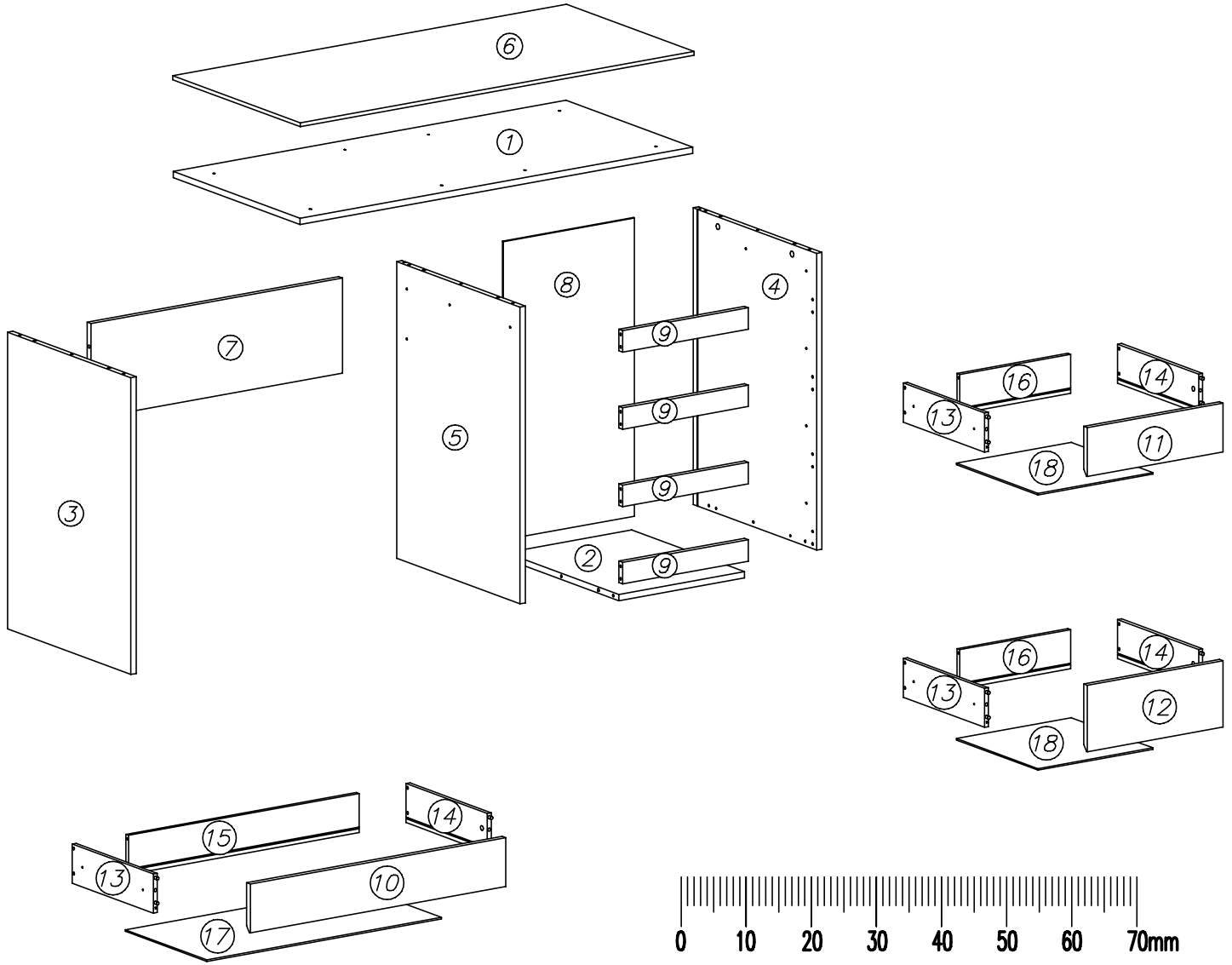
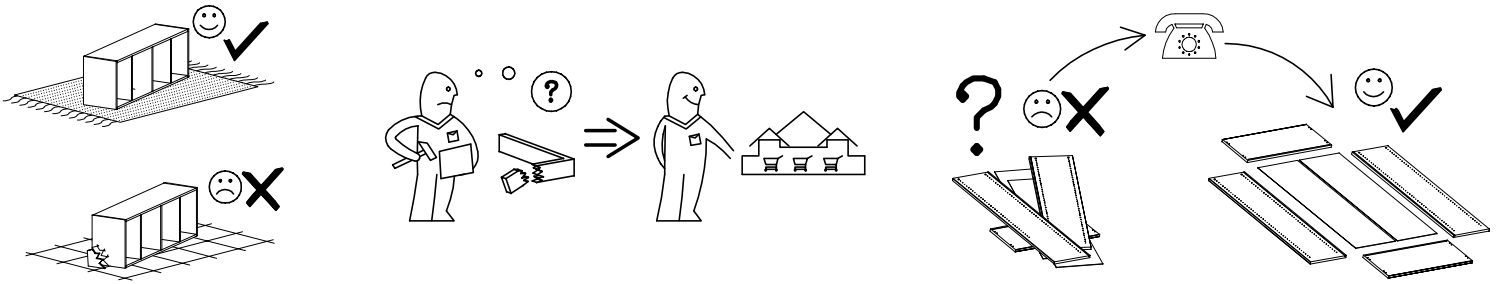
P

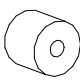
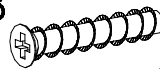




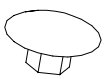
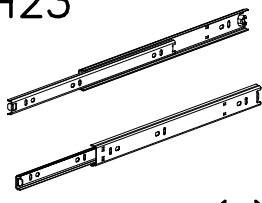


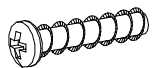
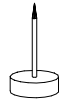
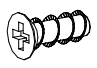
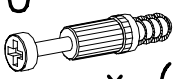
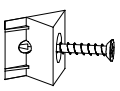
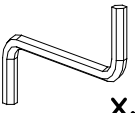




2h

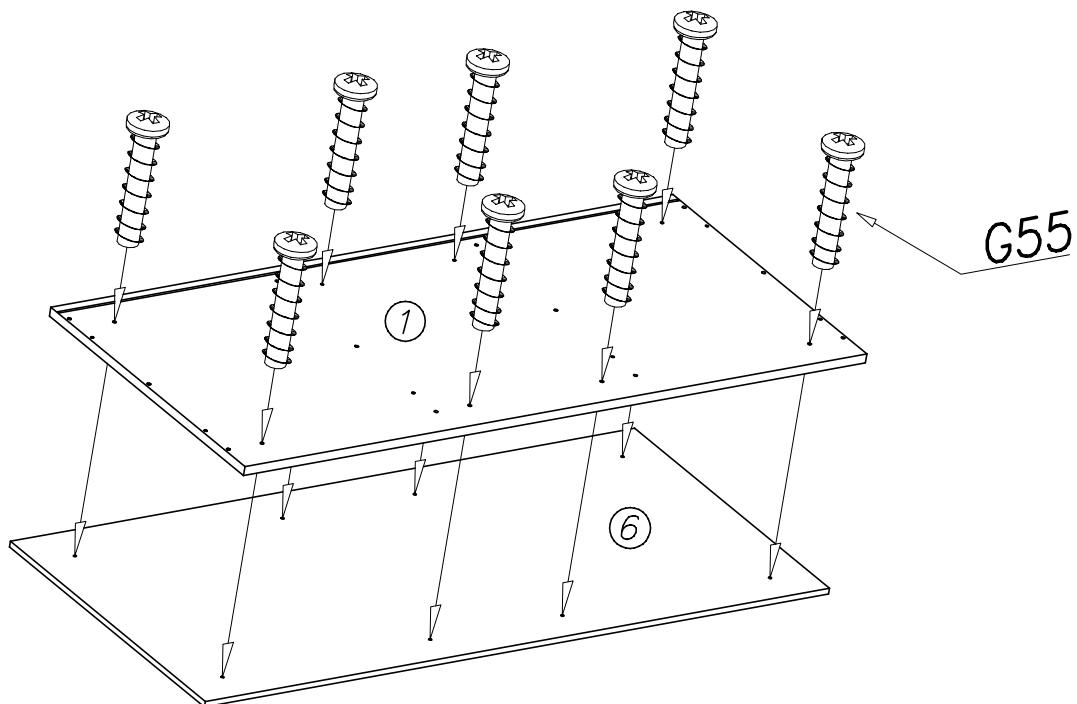


AURORA biurko

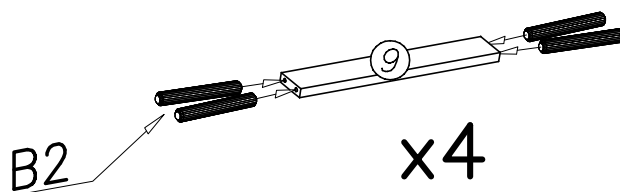
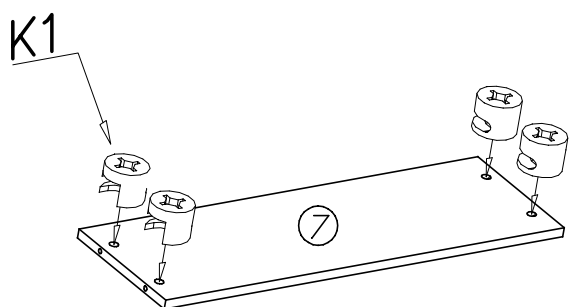
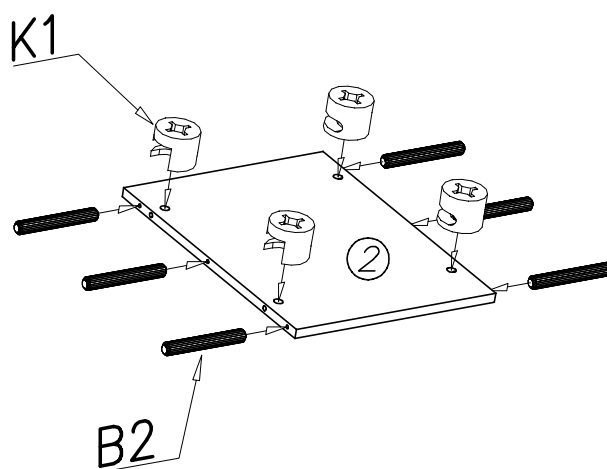
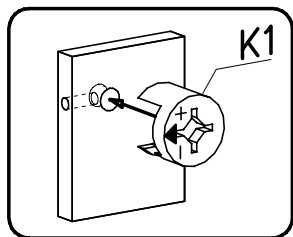
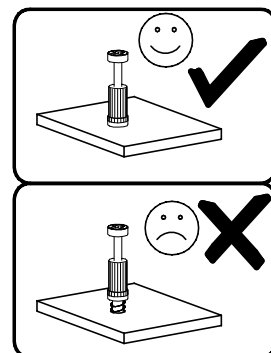
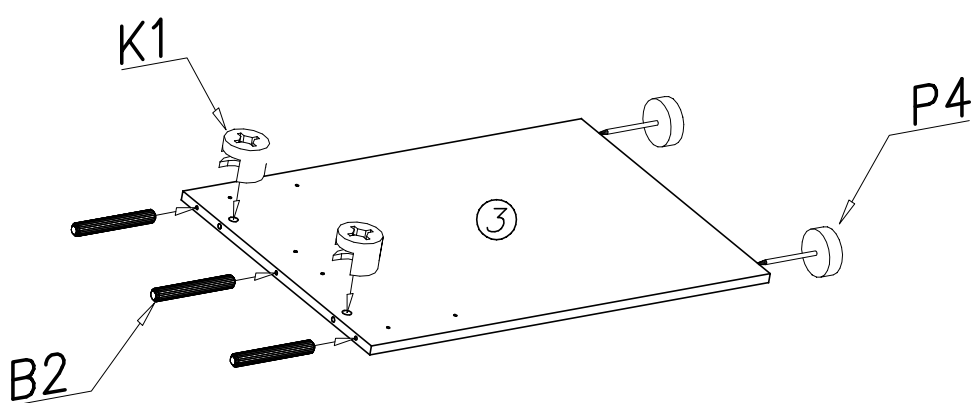


I27  18mm x...(2)	G58  6x32 x...(2)	A6  ø7x40 x...(20)	K4  ø12x10 x...(10)	G10  6x13 x...(18)
G34  3,5x16 x...(7)	I7  ø18 x...(18)	H23  H27-350mm x...(5)	M8  350mm x...(1)	
K1  ø15x12 x...(14)	G55  6x22 x...(8)		P4  x...(6)	G20  5x11 x...(20)
K10  x...(24)	I1  x...(5)	W2  x...(1)	I4  ø5 x...(5)	B2  ø6x35 x...(31)

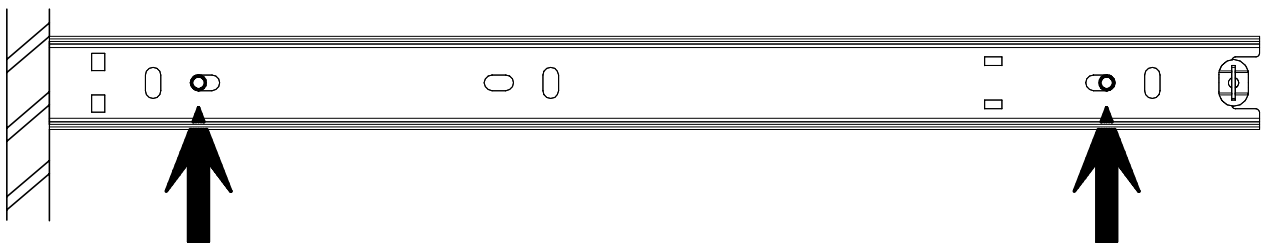
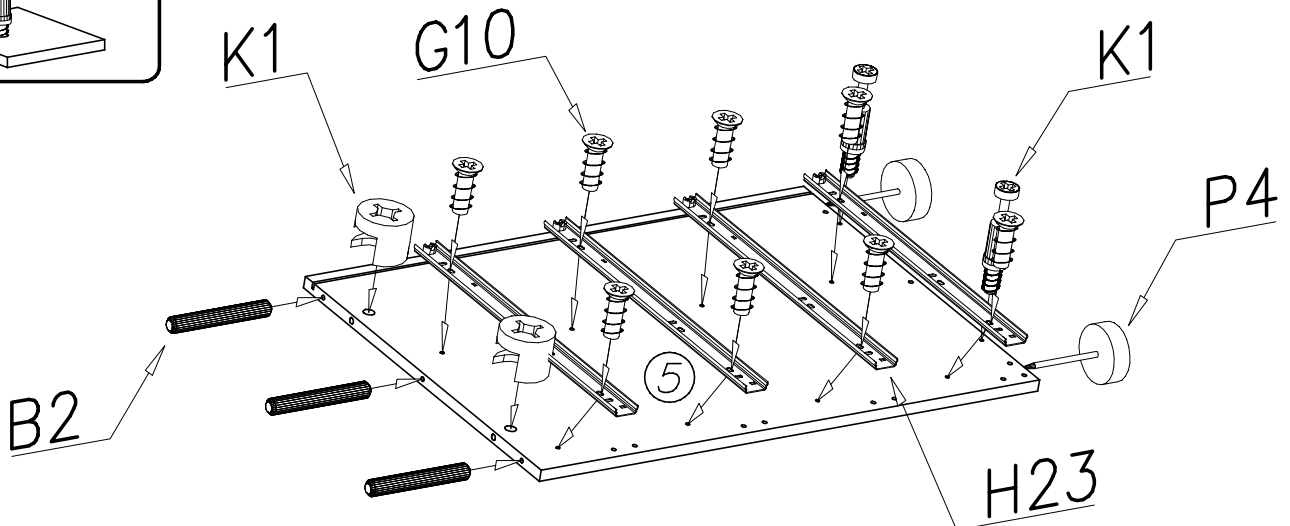
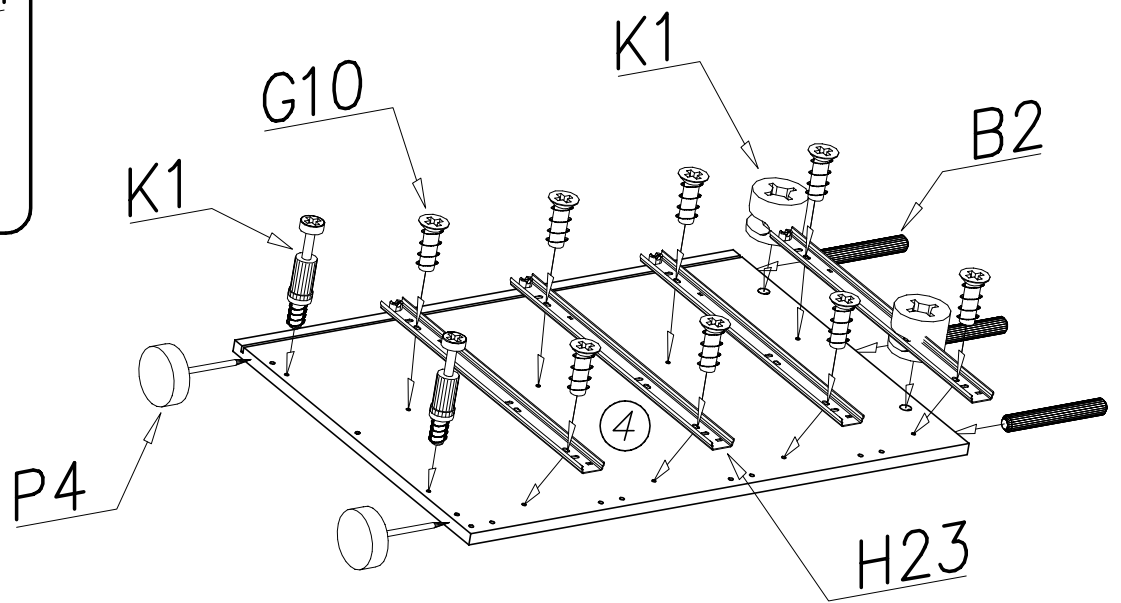
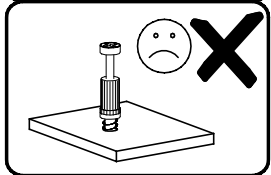
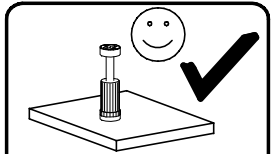
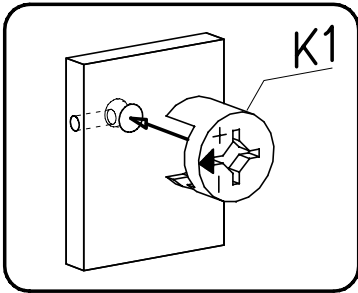
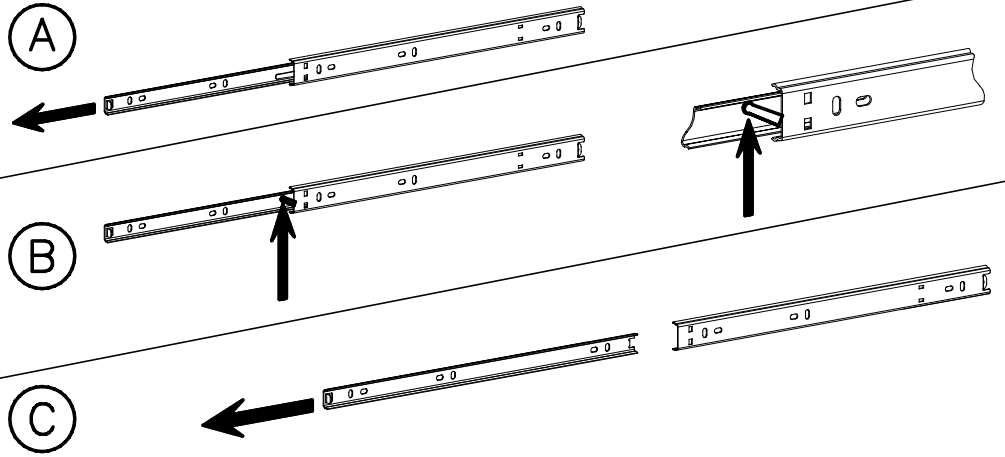
I



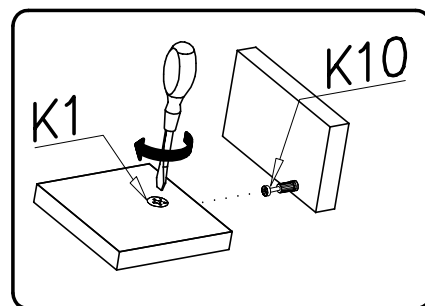
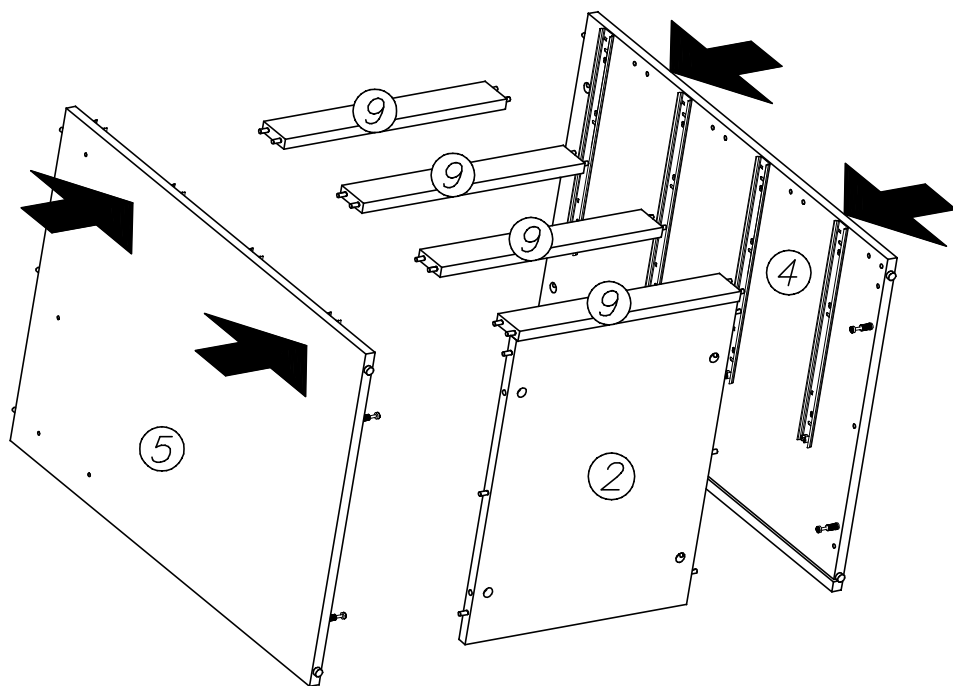
II



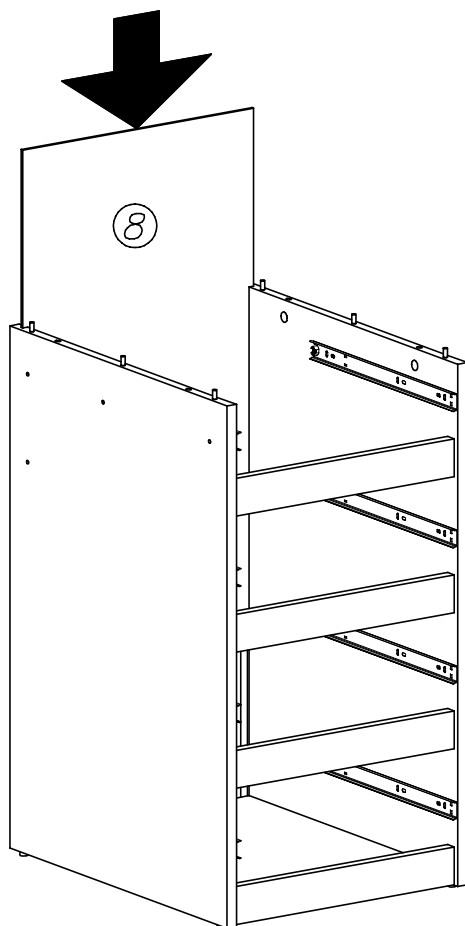
III

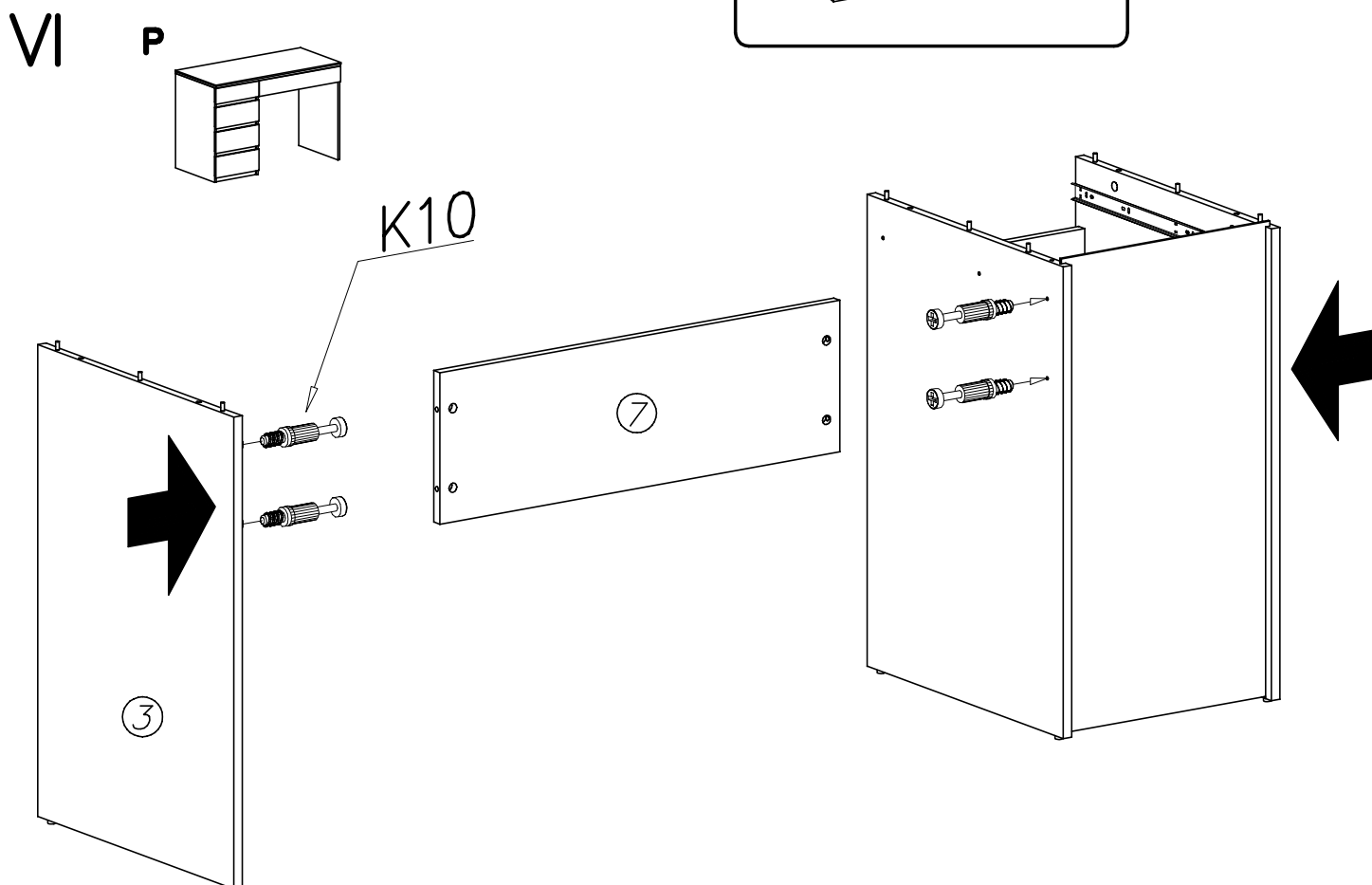
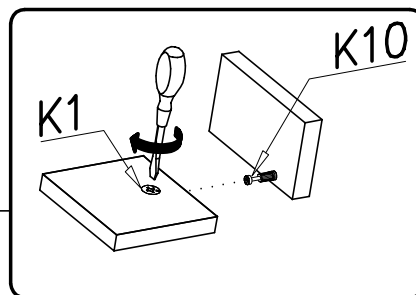
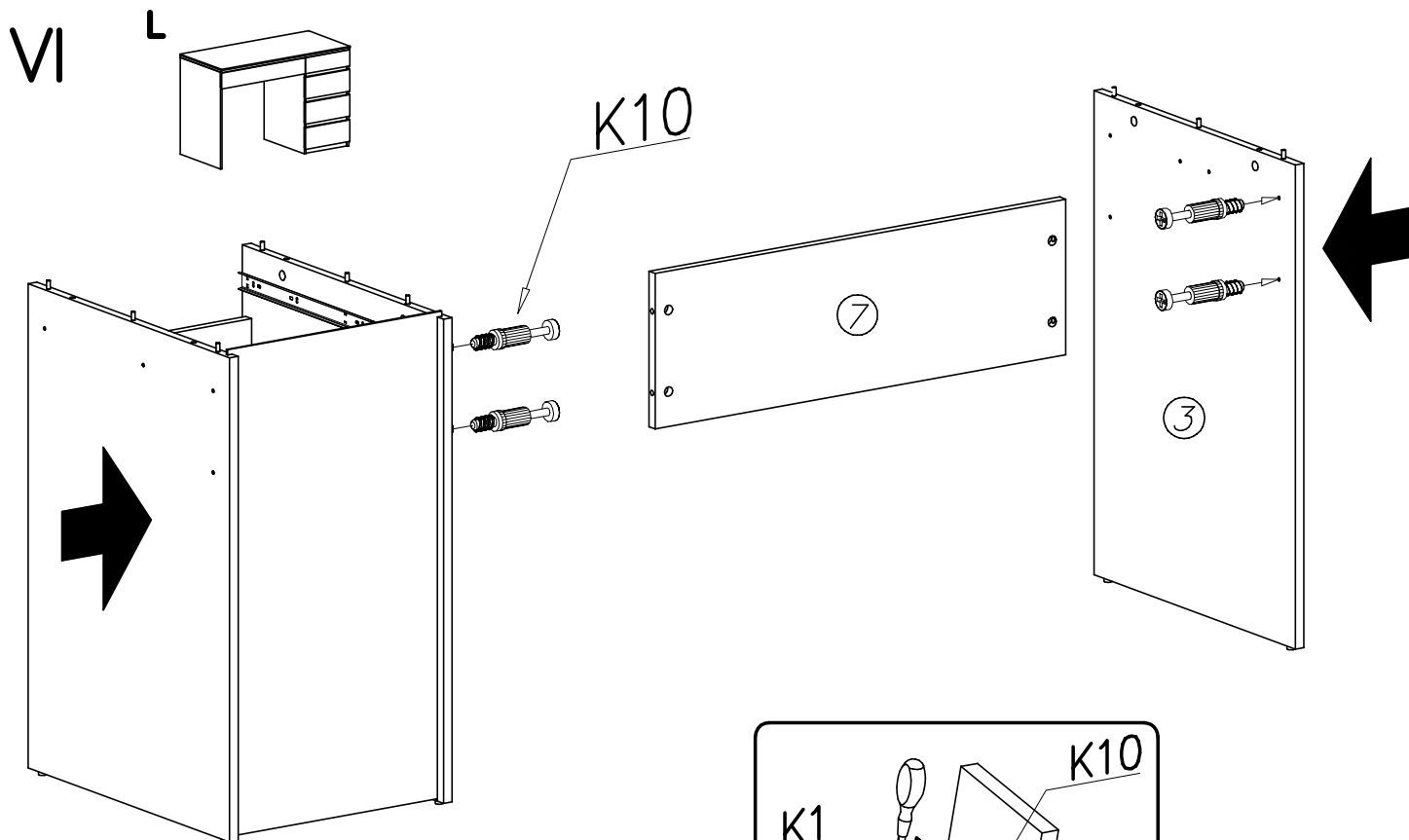


IV



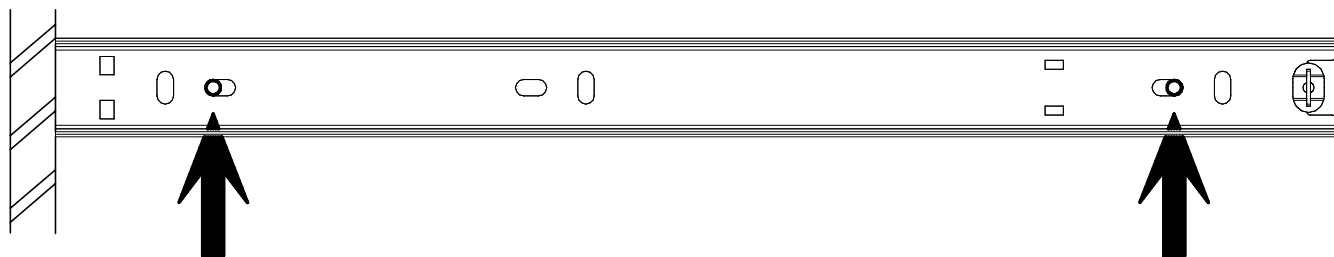
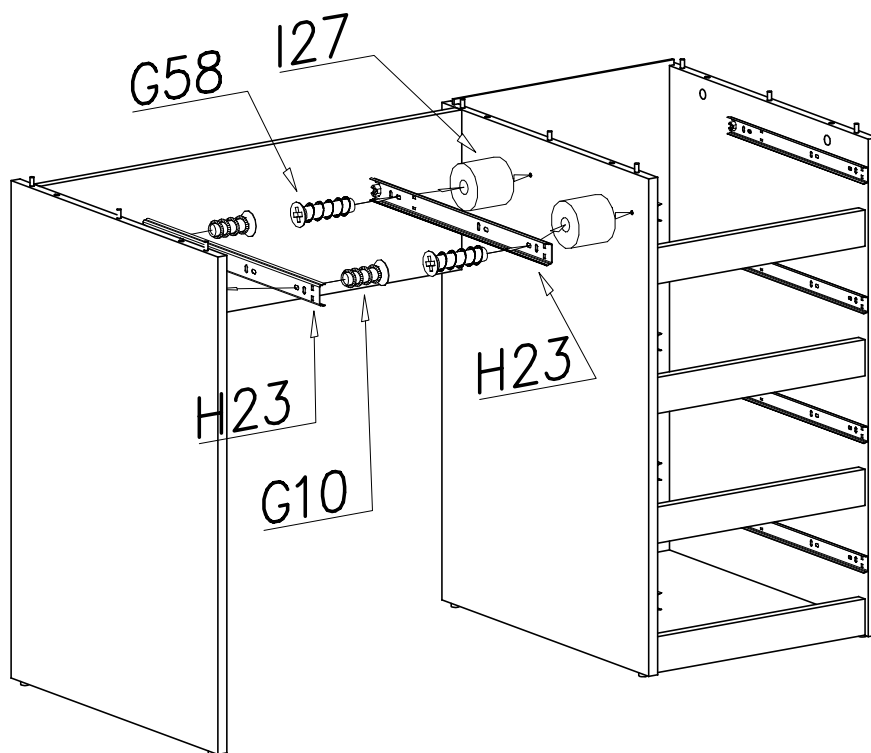
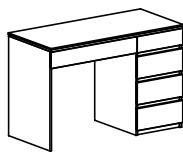
V





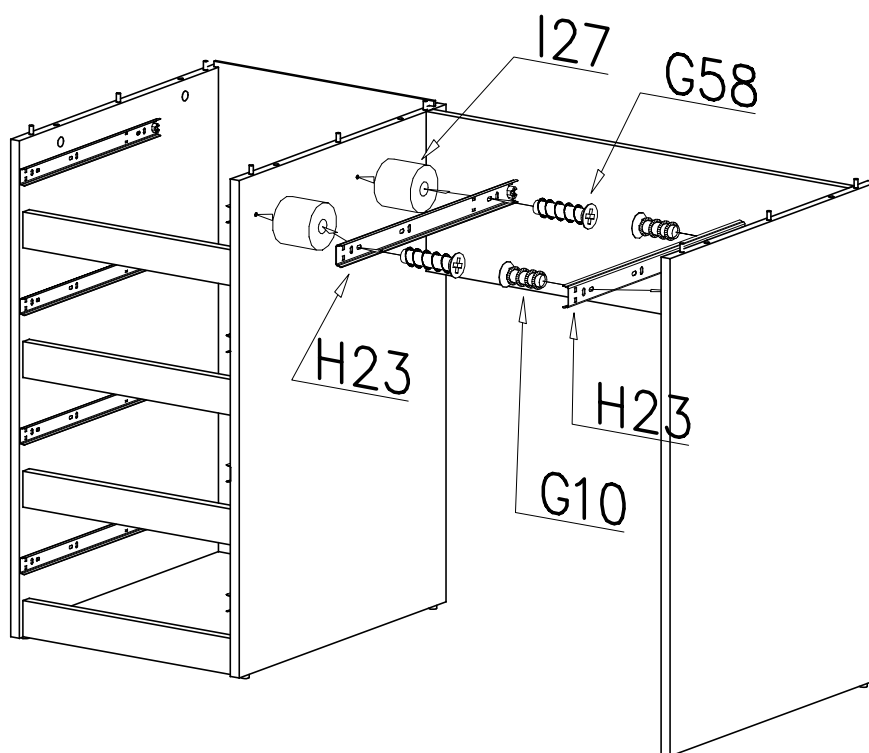
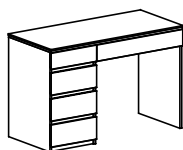
VII

L



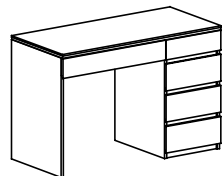
VII

P

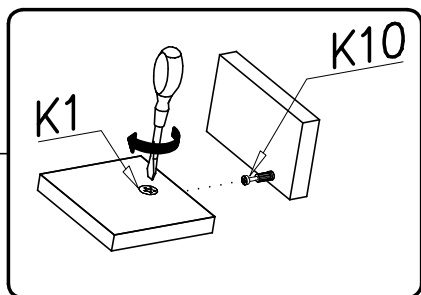
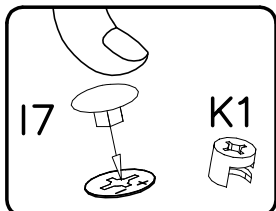
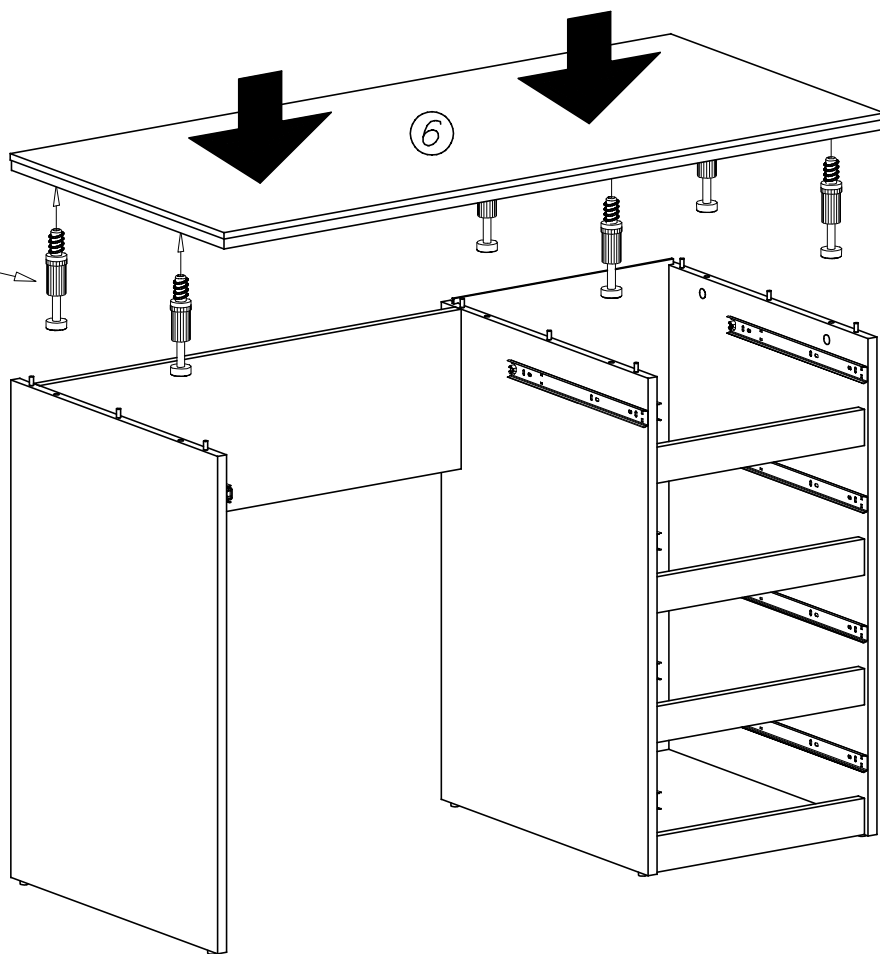


VIII

L

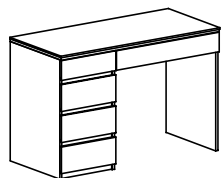


K10

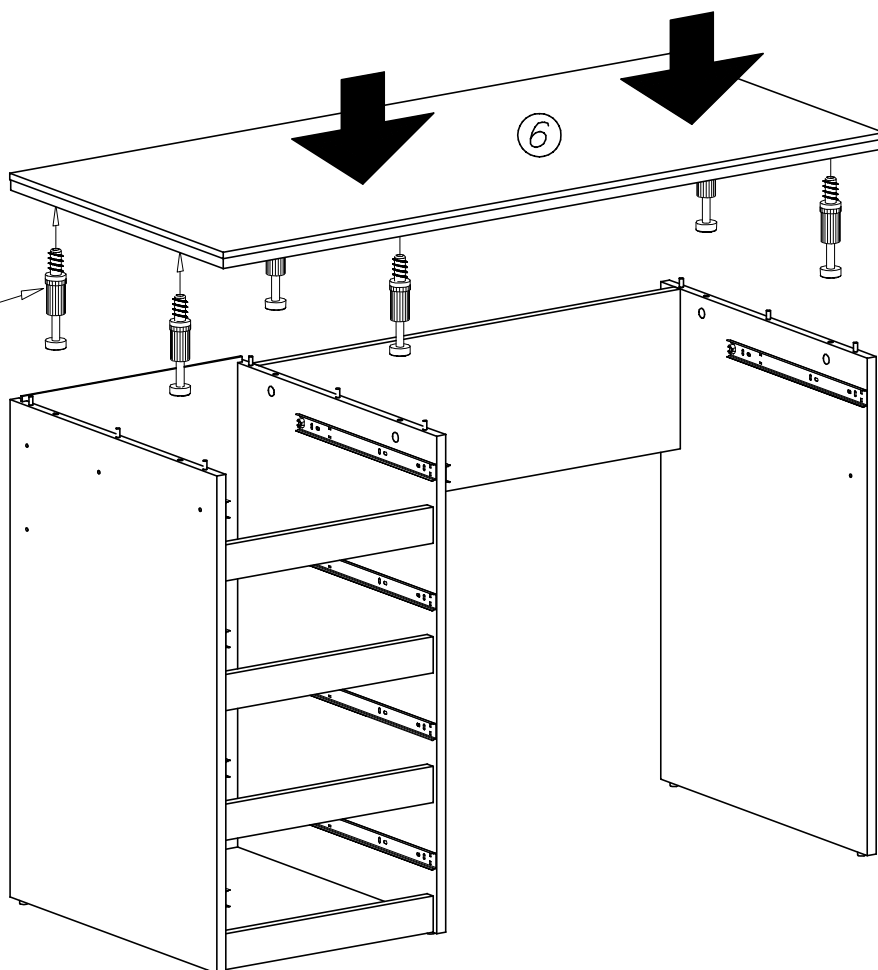


VIII

P

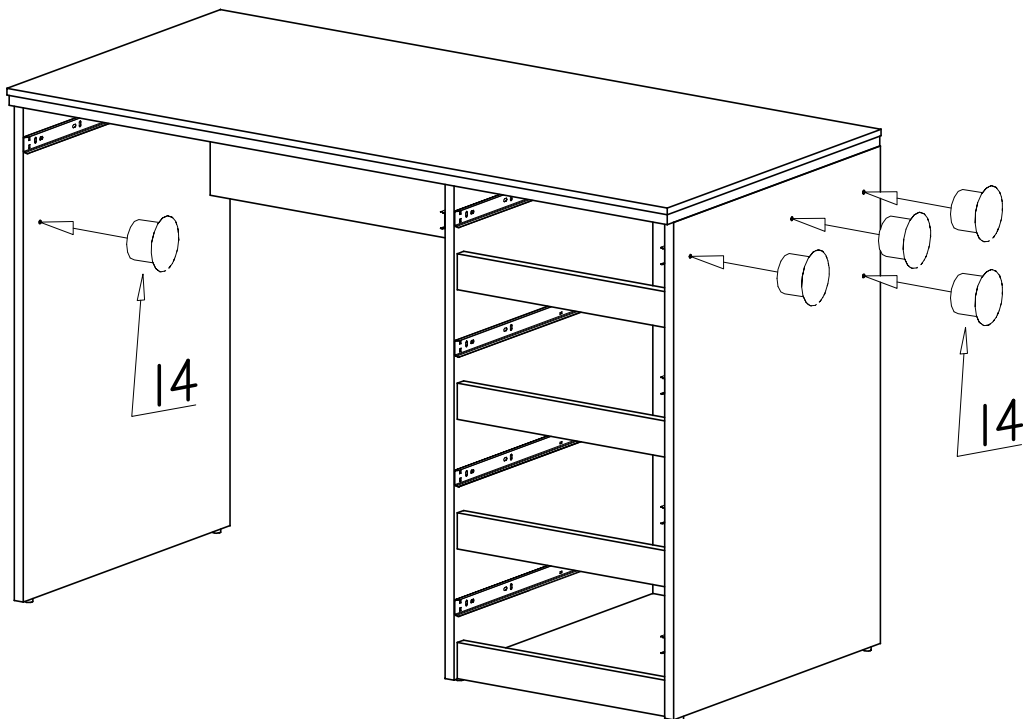
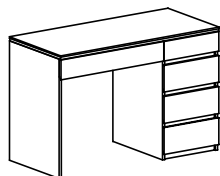


K10



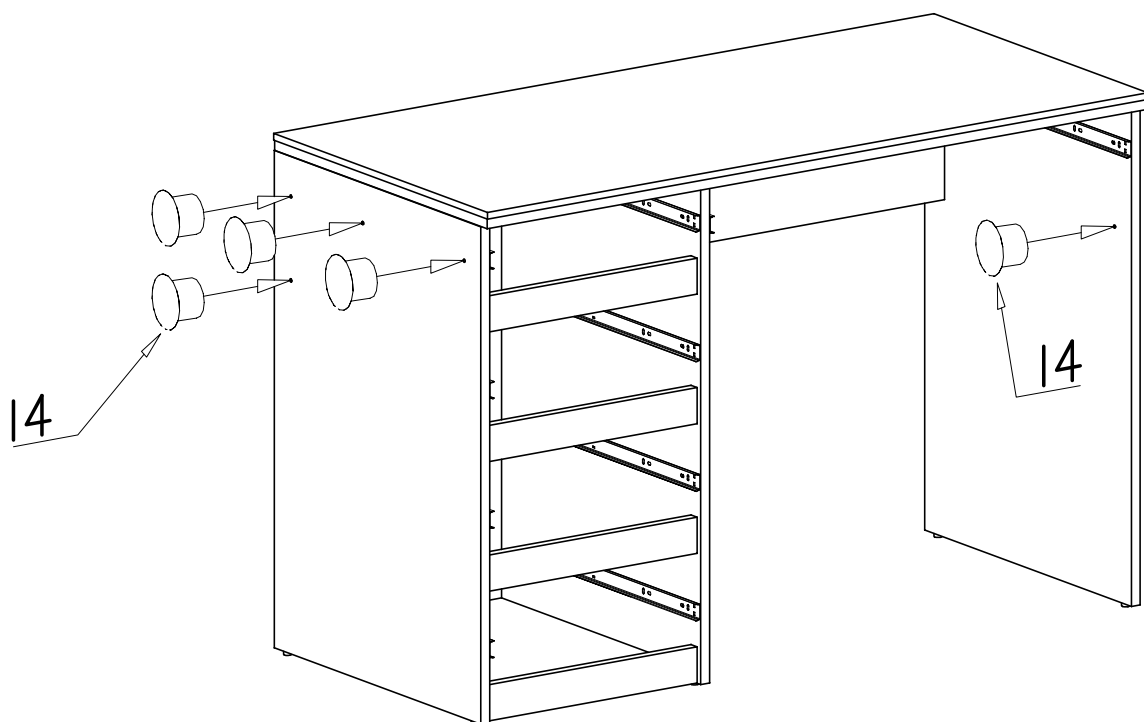
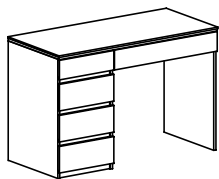
IX

L



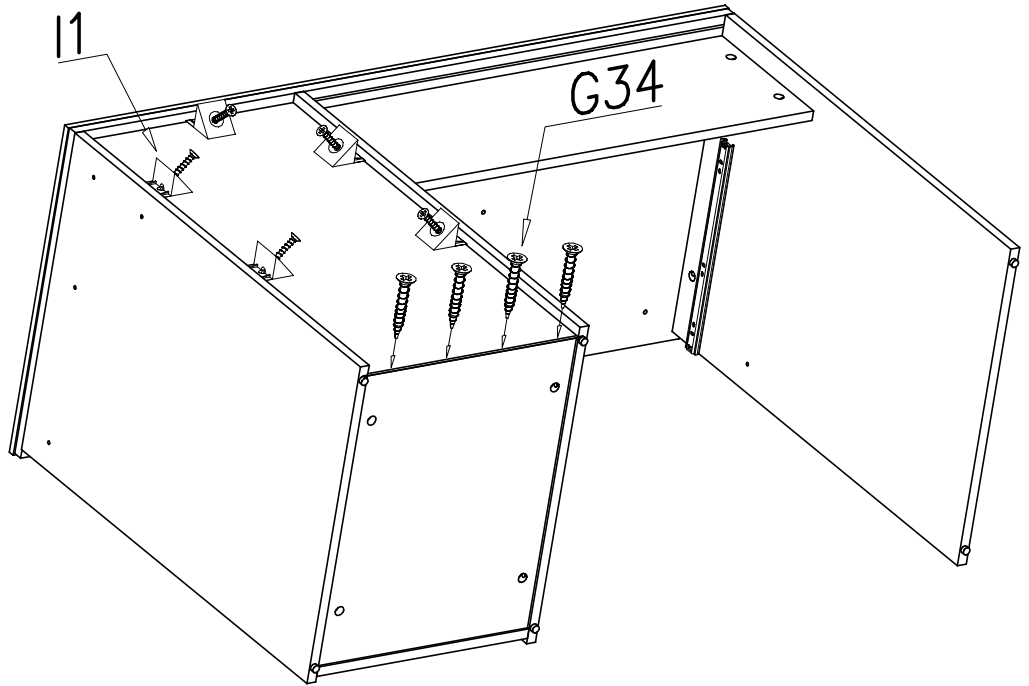
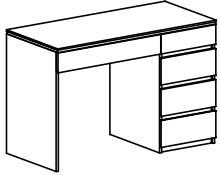
IX

P



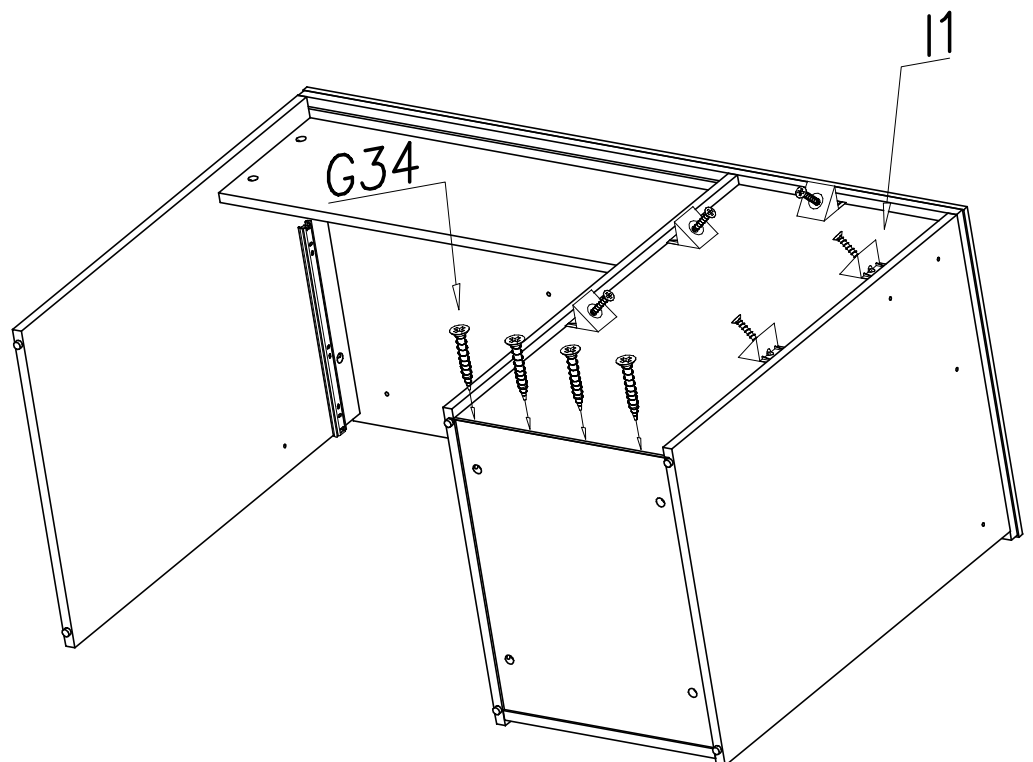
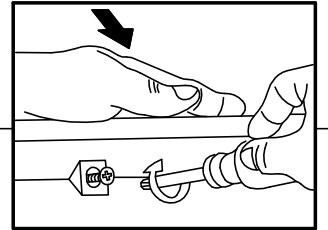
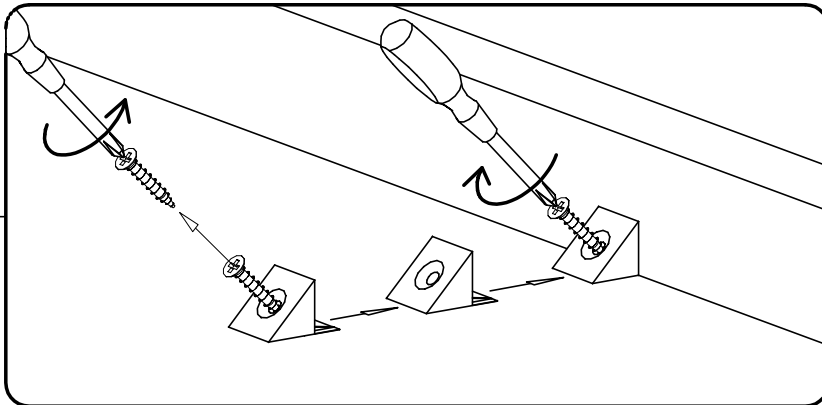
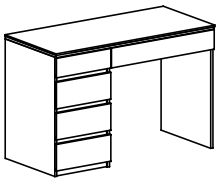
X

L

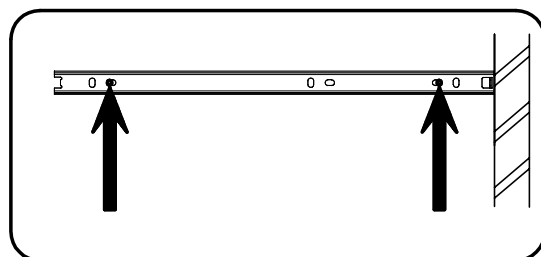
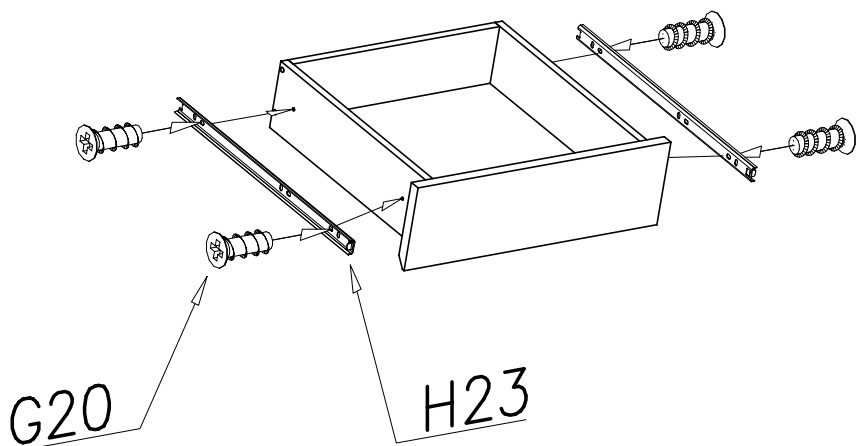
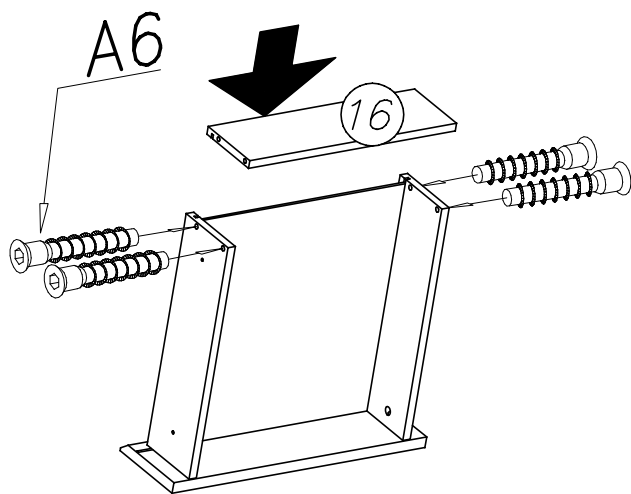
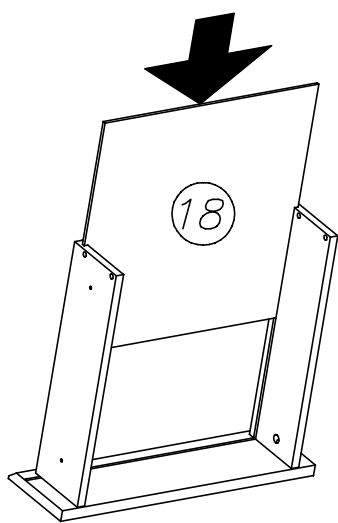
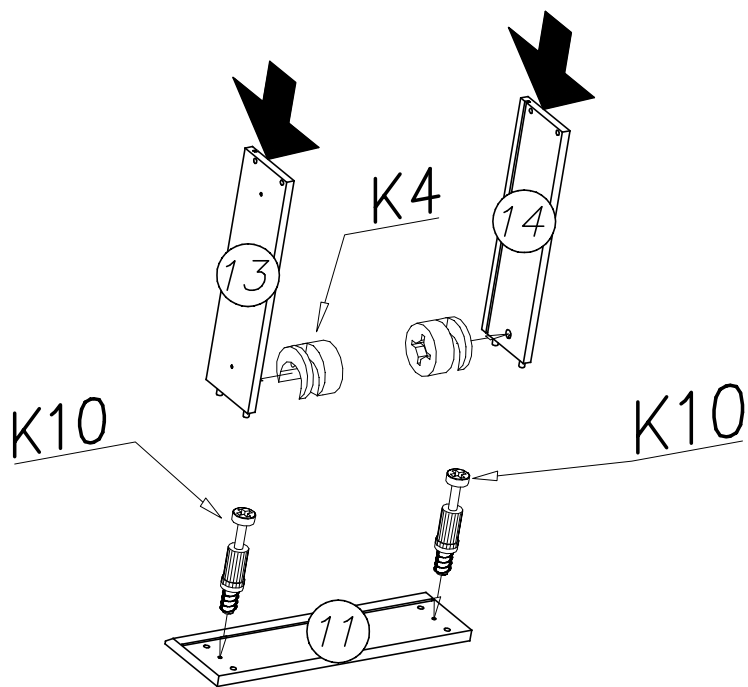


X

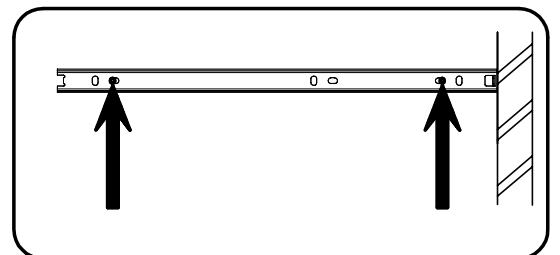
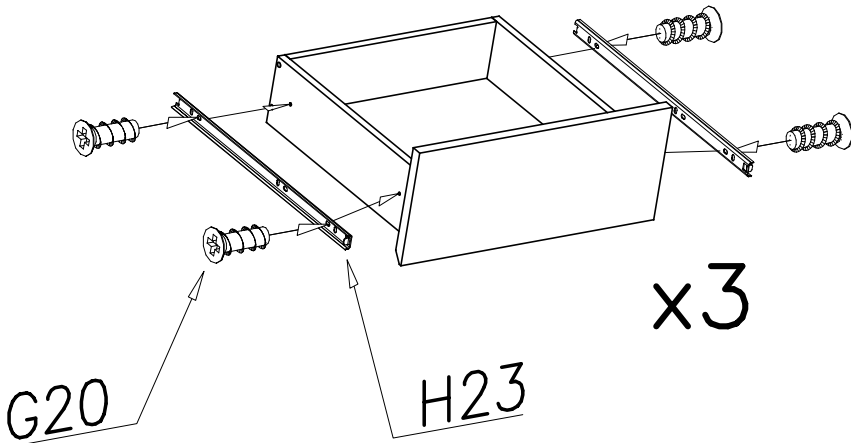
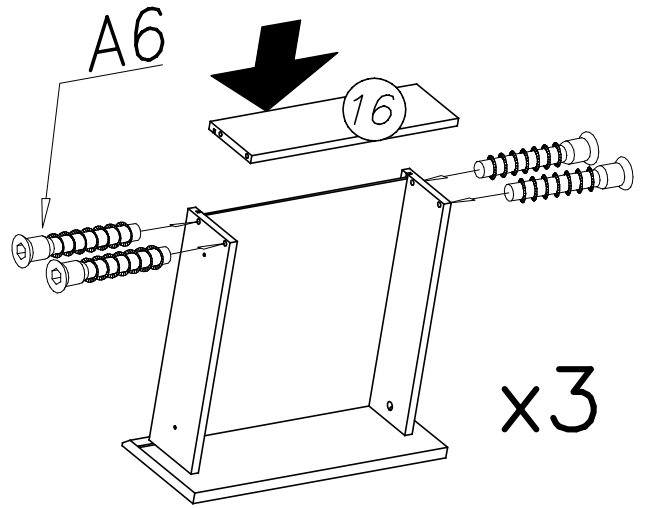
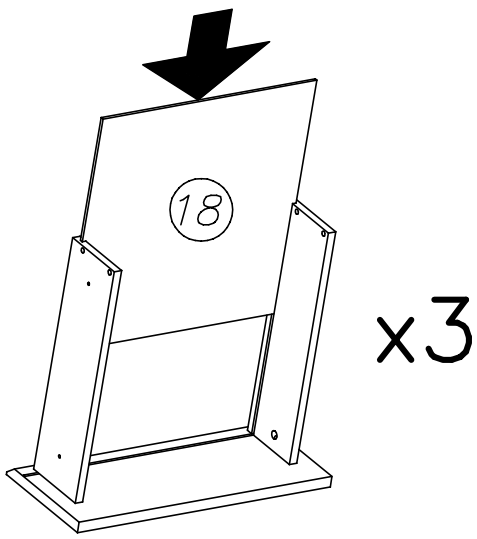
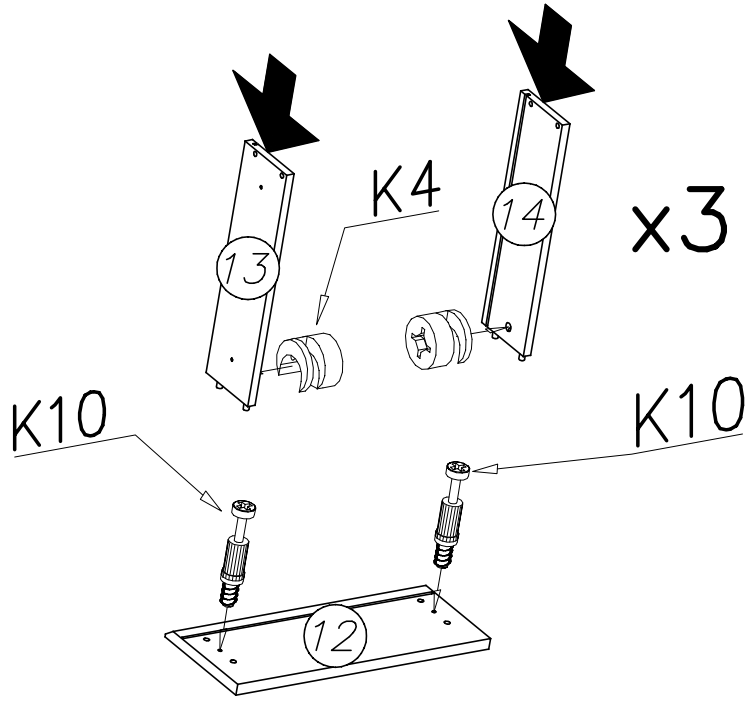
P



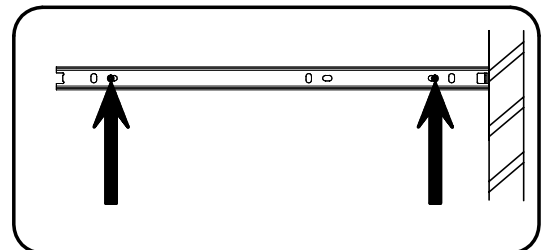
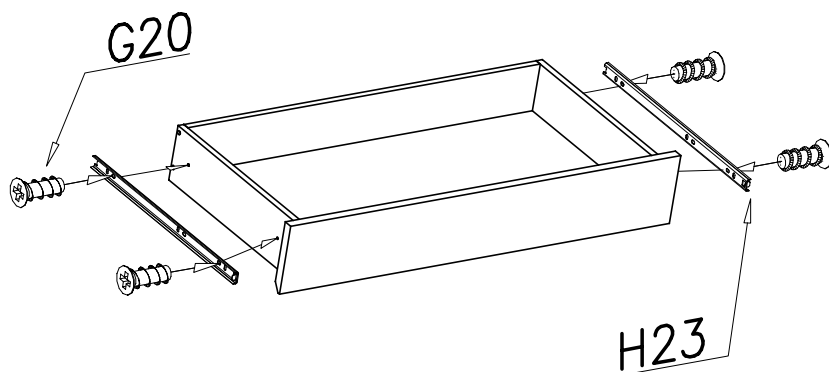
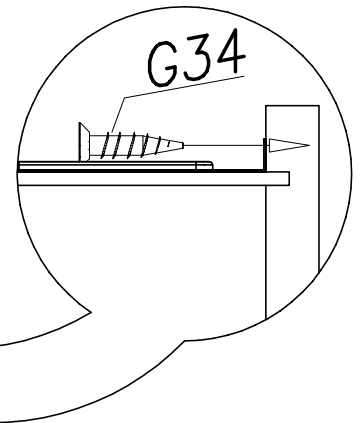
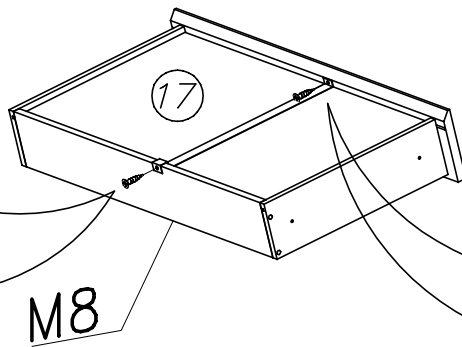
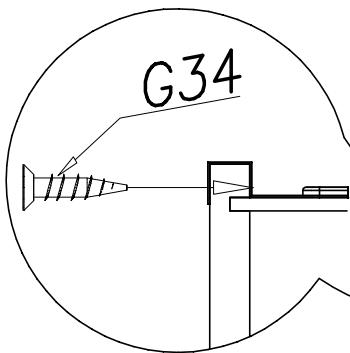
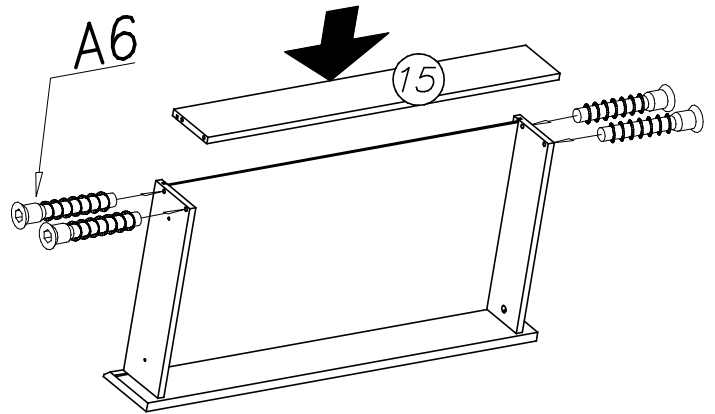
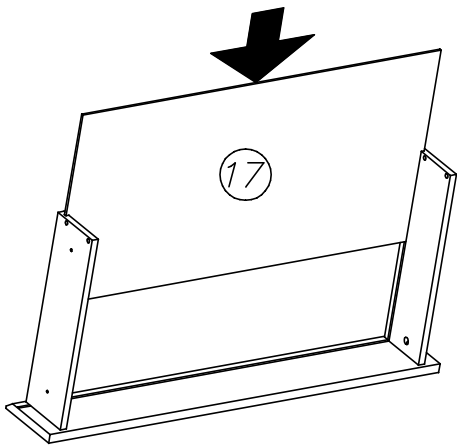
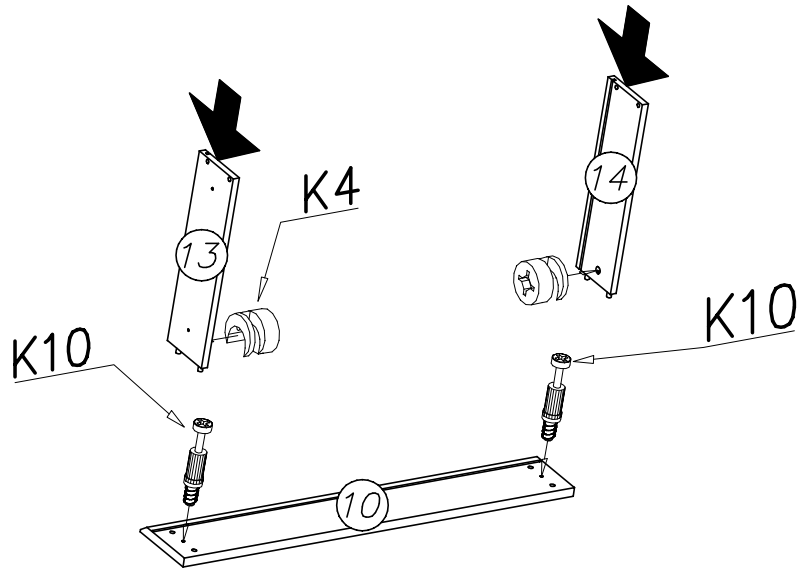
XI



XII

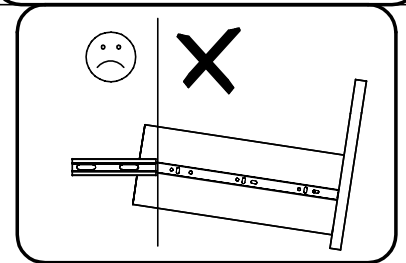
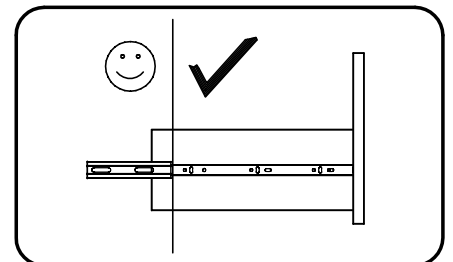
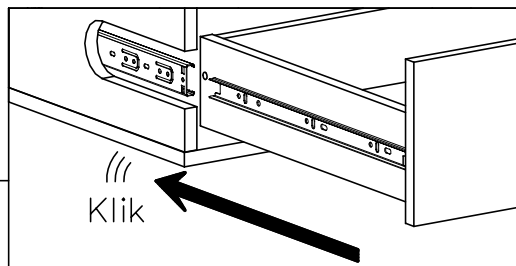
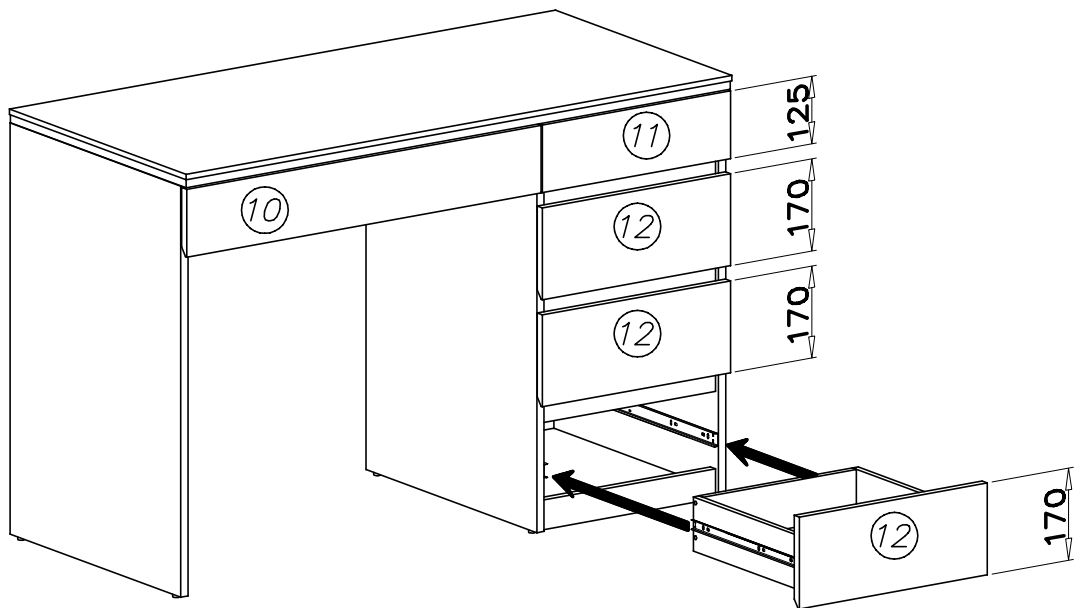


XIII



XIV

L



XIV

P

