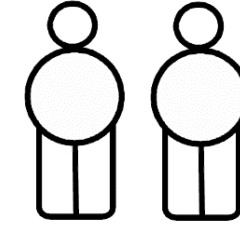
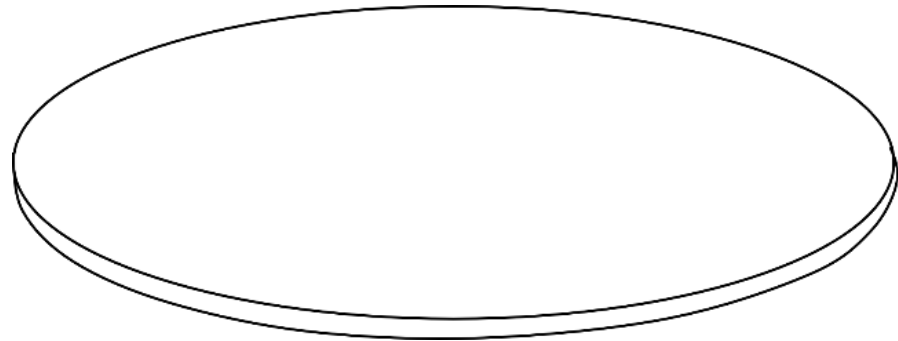


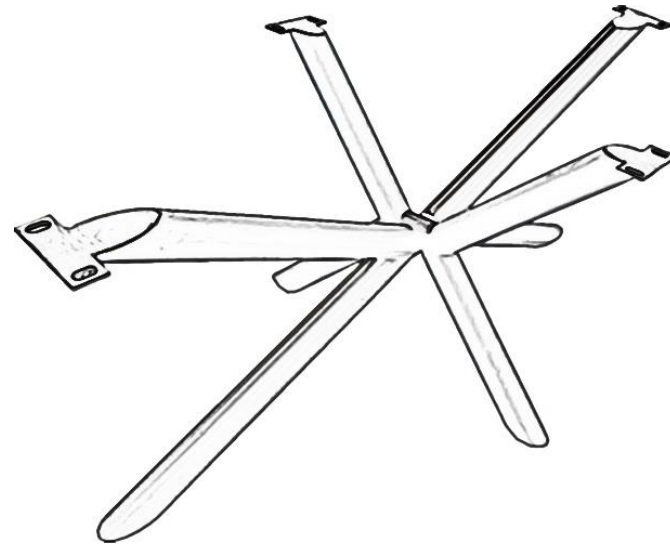
ASSEMBLY INSTRUCTION FOR OVAL DINING TABLE



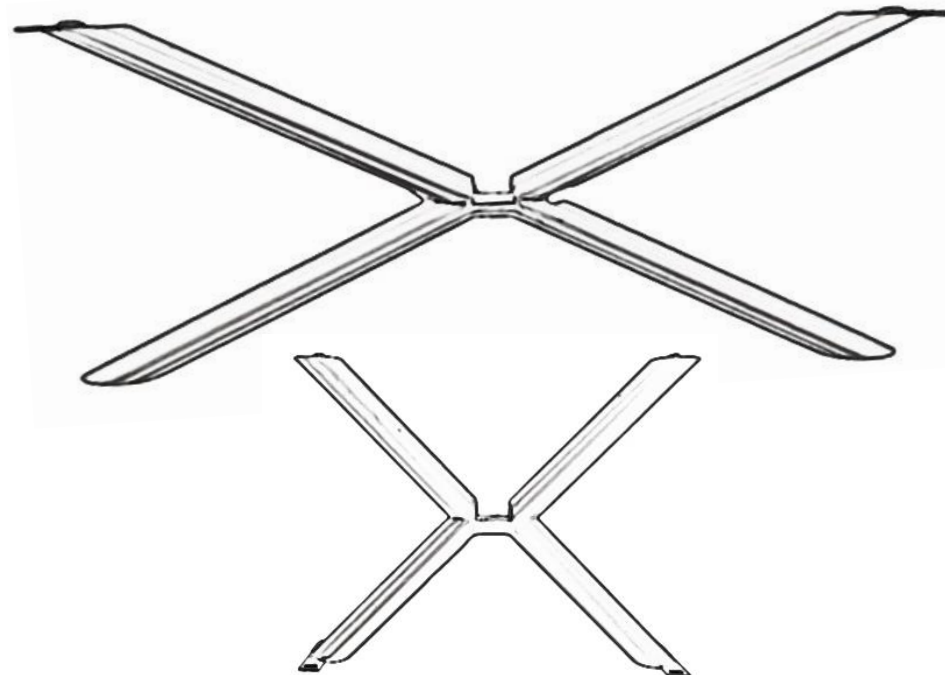
ITEM CODE: 70480-200		
SIZE: 200 X 110 X 77 CM		
SR. NO.	COMPONENT	QTY.
1	TOP	1
2	LEG	2
3	Washer	08
3	ALLEN BOLT M8*25mm	08
4	ALLEN KEY M5	1



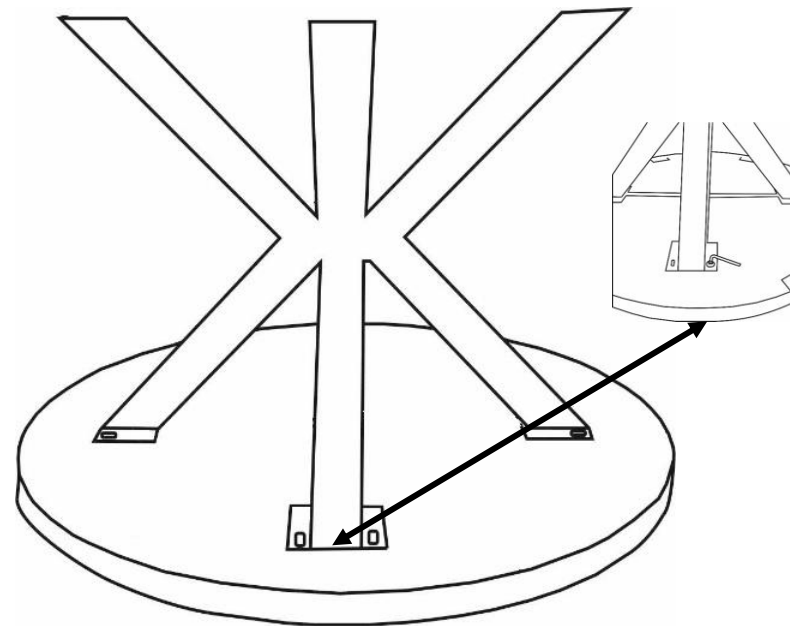
STEP - 1



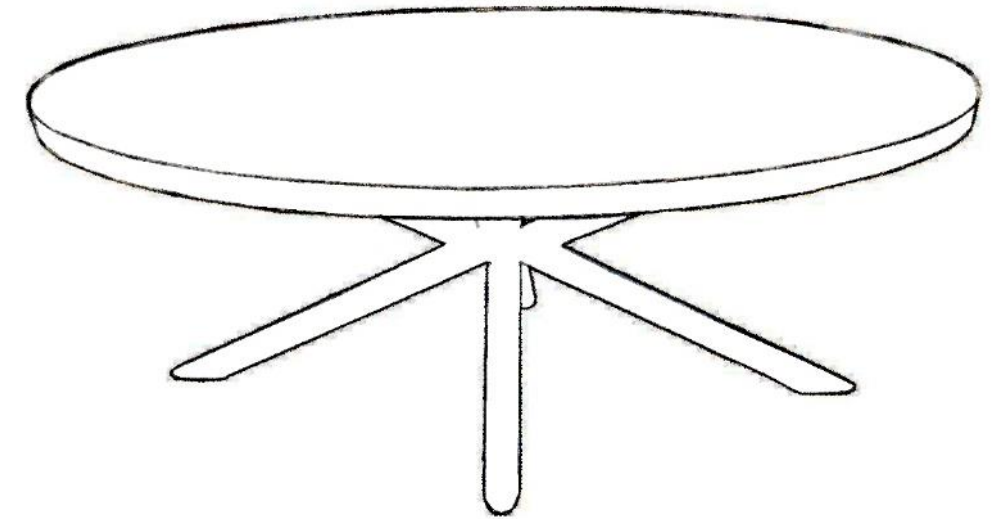
STEP - 3



STEP - 2



STEP - 4



final