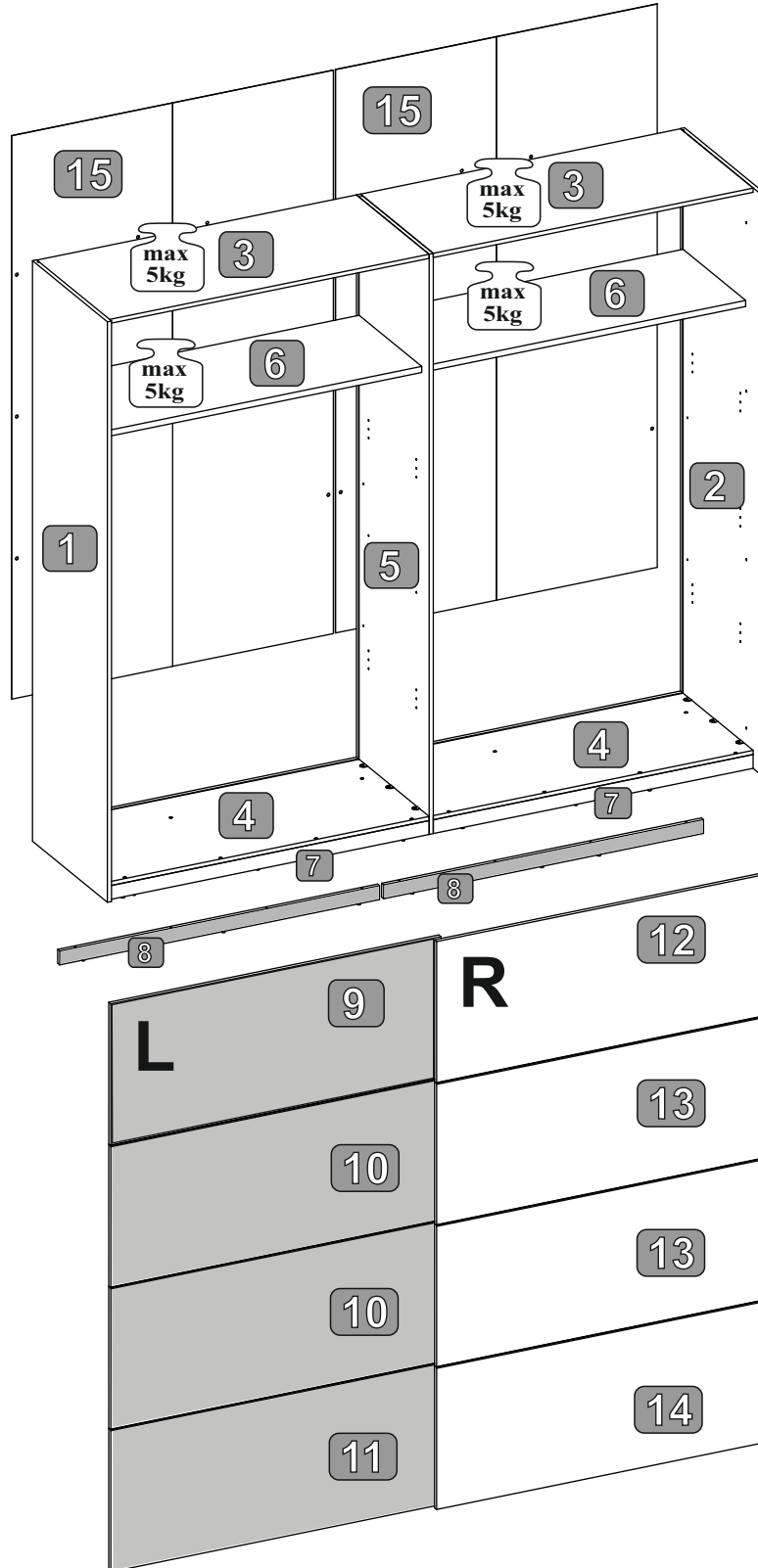
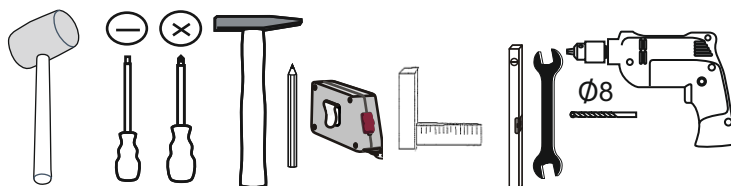
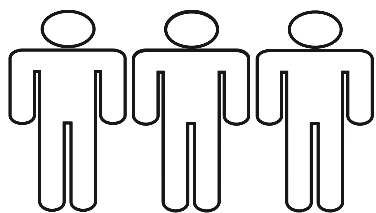



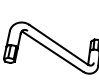
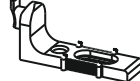


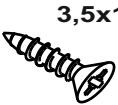

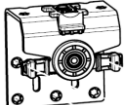
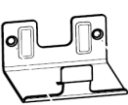


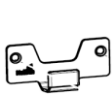
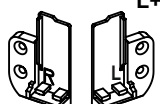
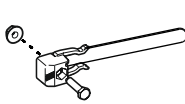

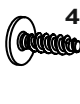
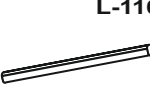
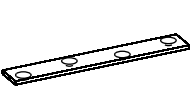
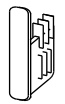





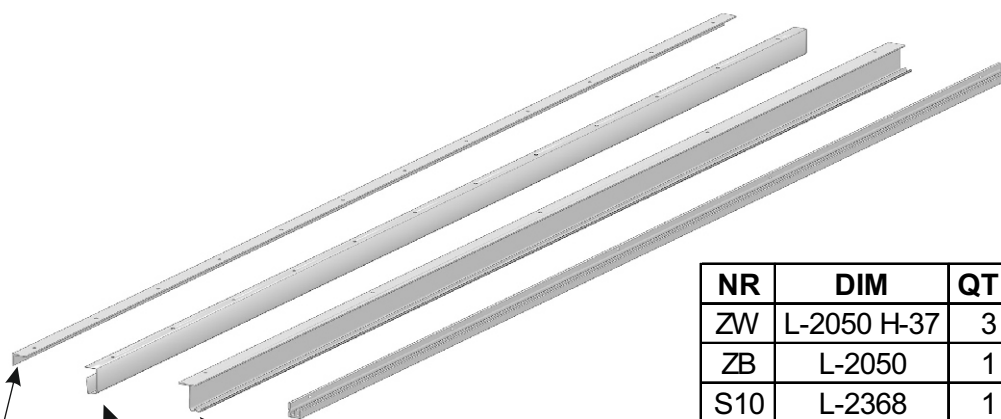


NR	DIM	QTE	COLLI	NR	DIM	QTE	COLLI	NR	DIM	QTE	COLLI
1	2095x551x15	1	2/6	6	1177,5x461x22	2	1/6	11	1215x512,5x15	1	4/6
2	2095x580x15	1	2/6	7	1177,5x50x15	2	1/6	12	1215x512,5x15	1	5/6
3	1177,5x535x15	1	3/6	8	1177,5x50x15	2	1/6	13	1215x512,5x15	2	5/6
4	1177,5x535x15	1	1/6	9	1215x512,5x15	1	4/6	14	1215x512,5x15	1	5/6
5	2094x535x15	1	1/6	10	1215x512,5x15	2	4/6	15	2033x1084x2	2	2/6

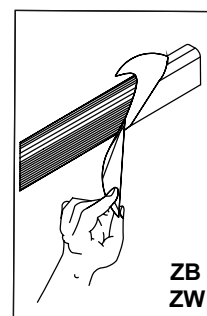
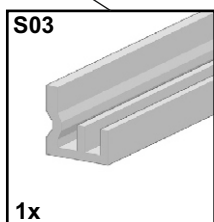
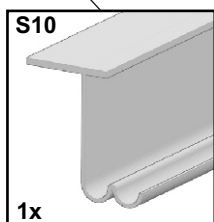
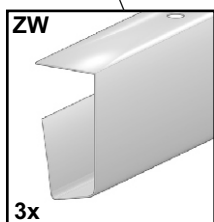
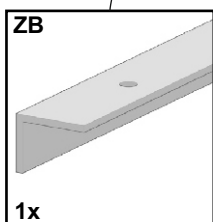




 32x T05	 32x T04	 16x W16	 1x K02	 16x R02	 16x W20	 4x E03
 176x W02	 18x S01	 2x P-10	 2x P-07	 1x P-09	 1x P-08	 2x P-06
 1x G-02	 2x F-02	 28x W12	 4x W07	 2x J01	 24x W08	 6x ZA2
 16x C02	 2x P01	 2x F01	 2x F11	 12x W05		



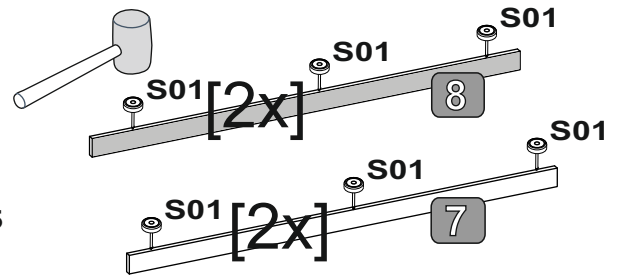
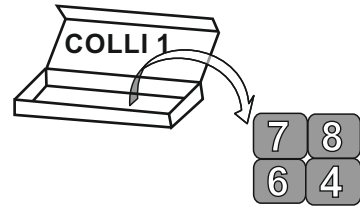
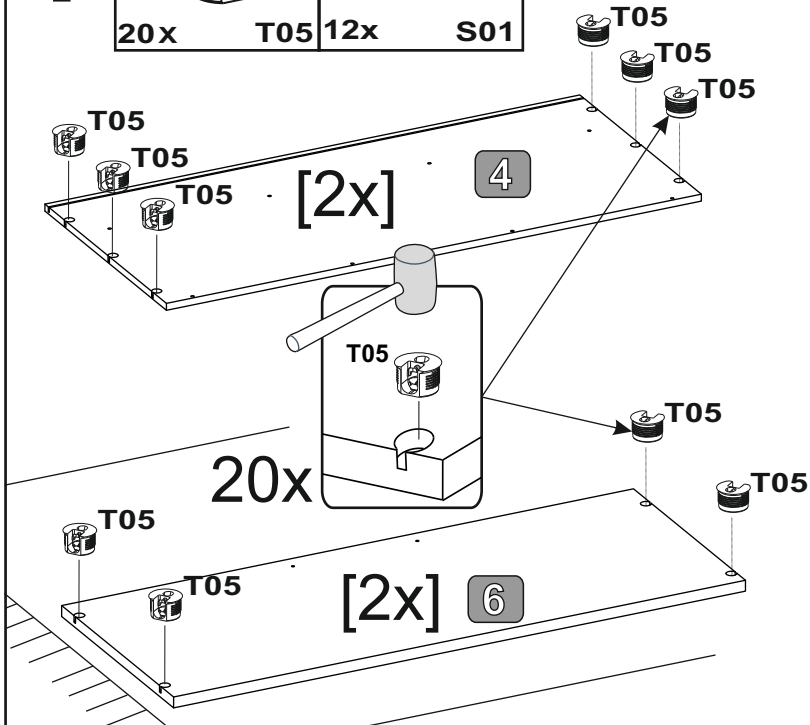
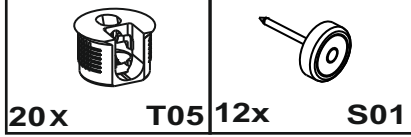
NR	DIM	QTE	COLLI
ZW	L-2050 H-37	3	6/6
ZB	L-2050	1	6/6
S10	L-2368	1	6/6
S03	L-2368	1	6/6



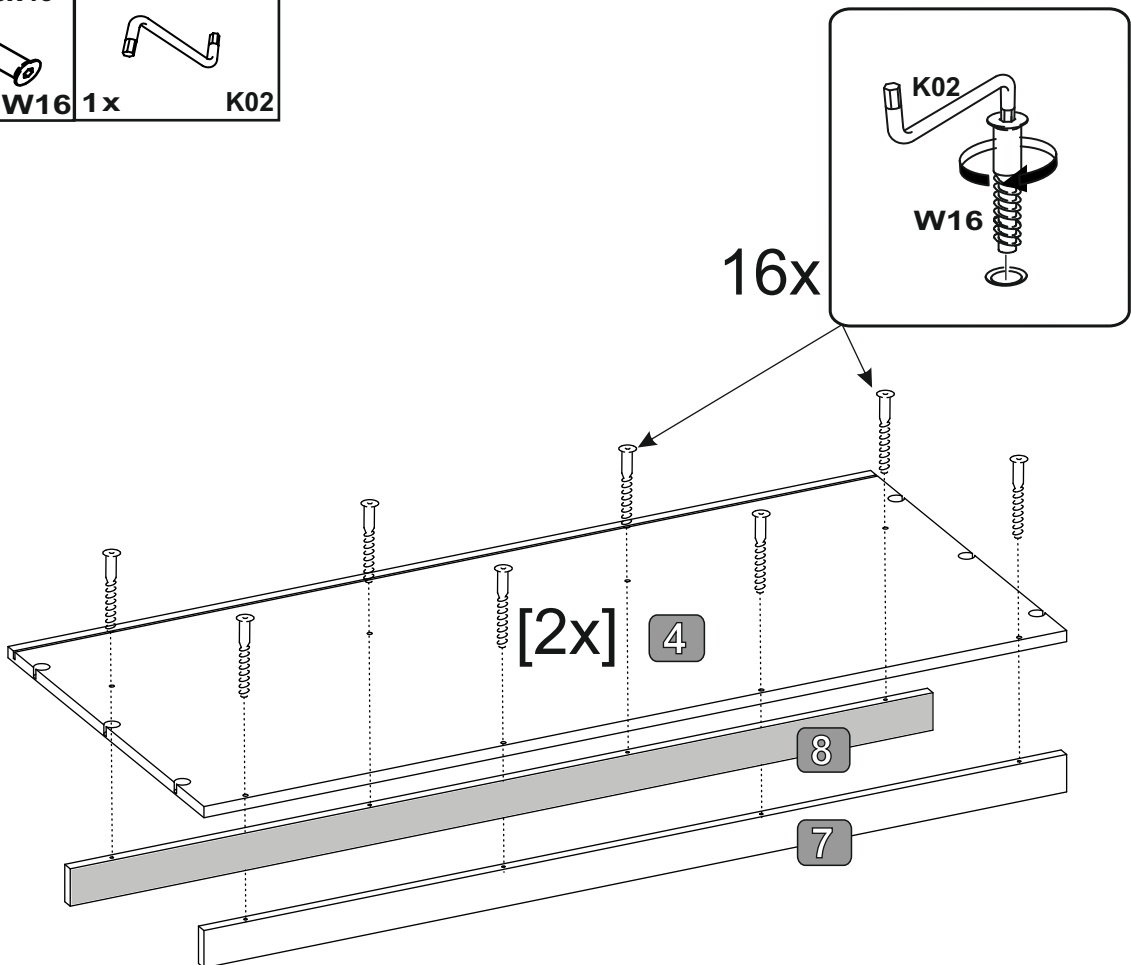
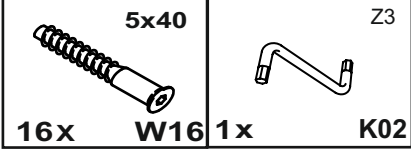
0 10 20 30 40 50 60 70 80 90 100



# 1



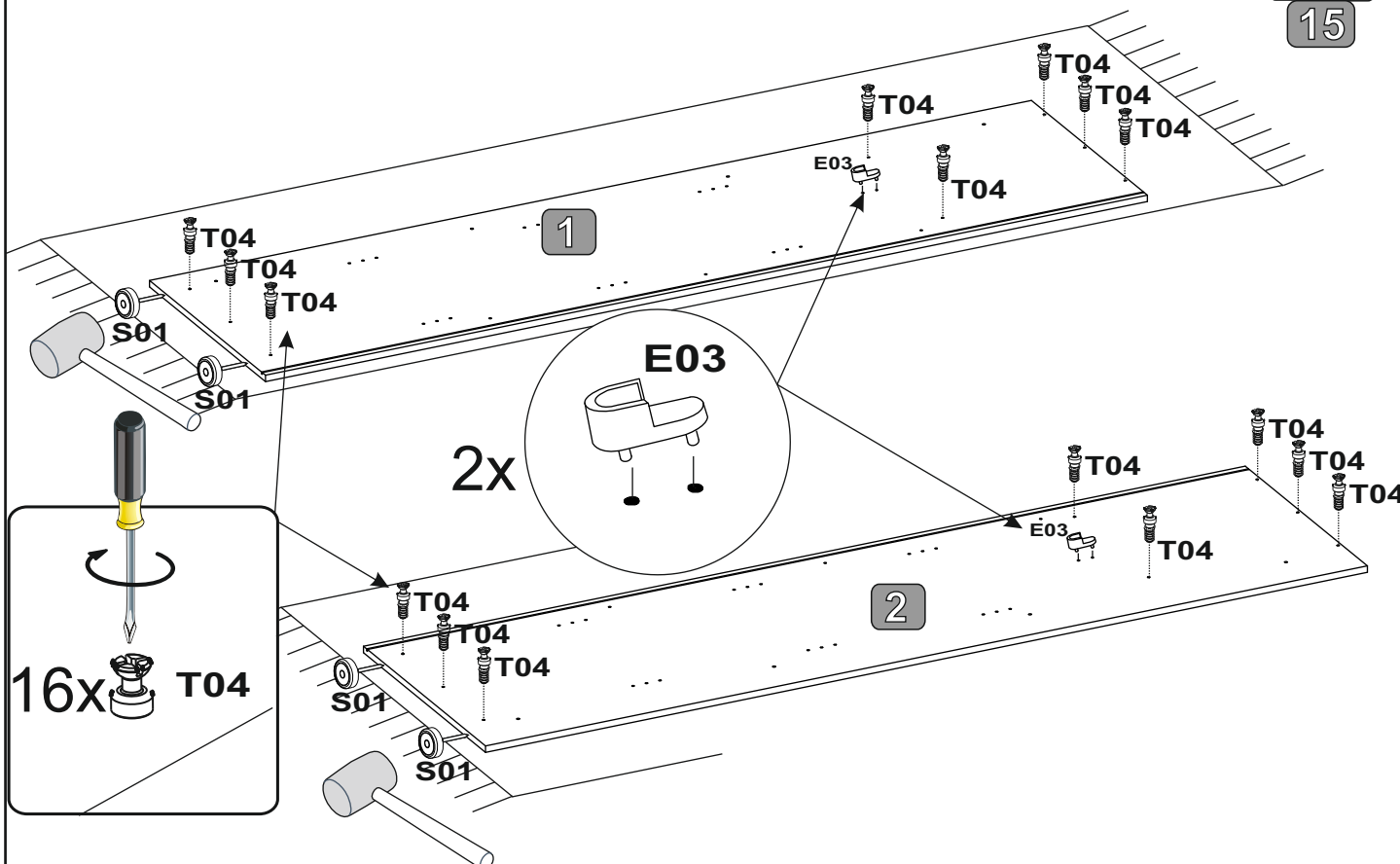
# 2



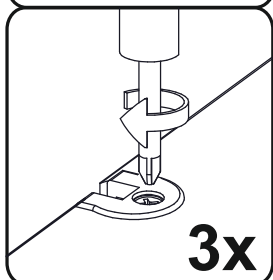
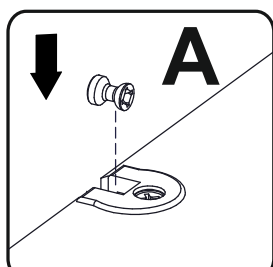
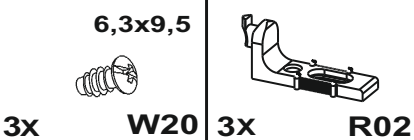
## 3



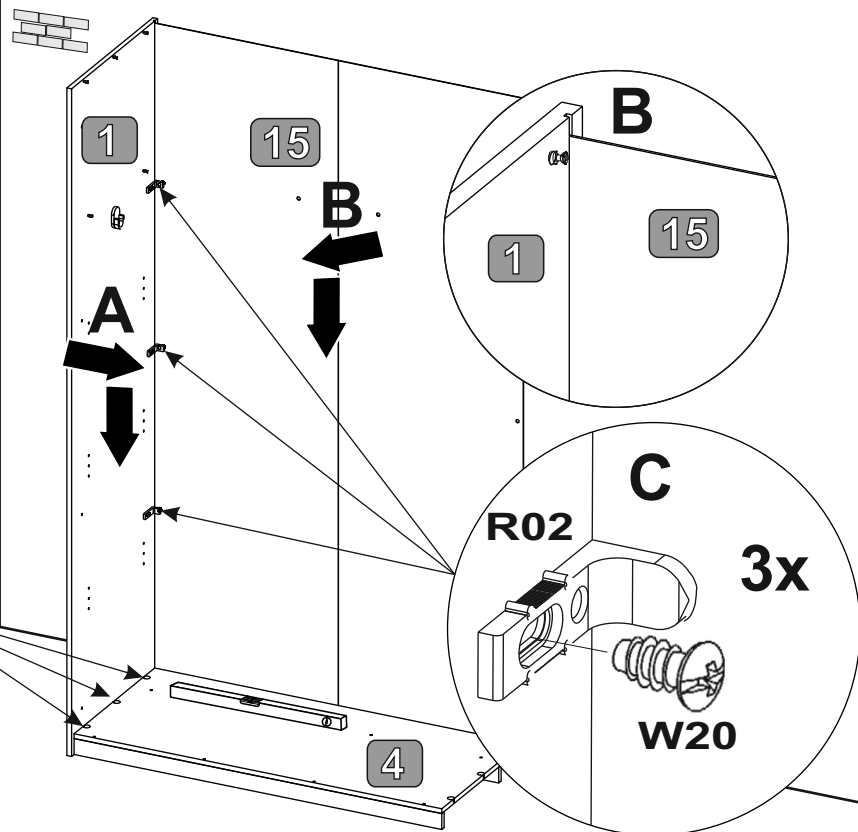
1 2  
15



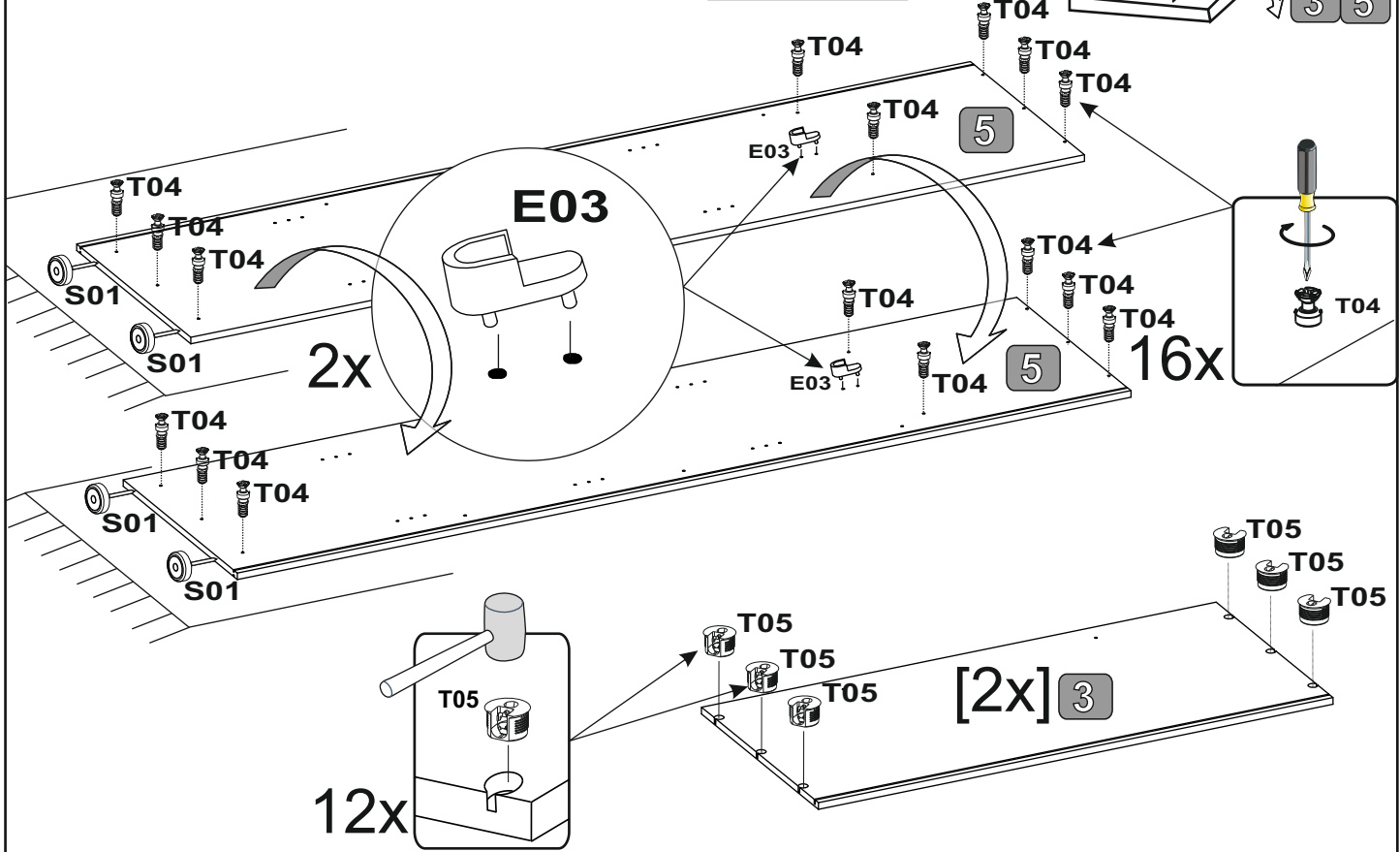
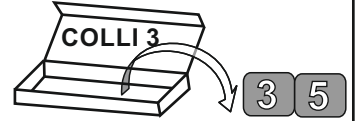
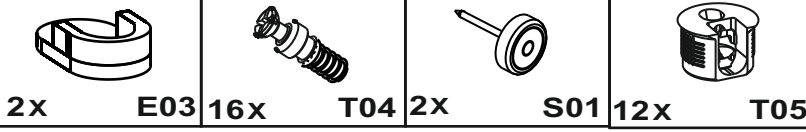
## 4



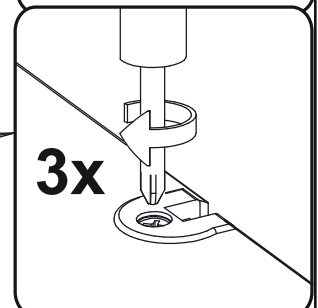
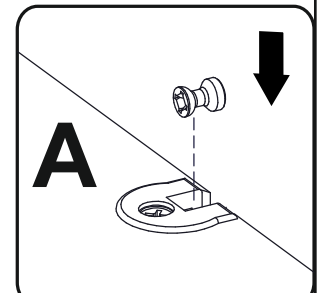
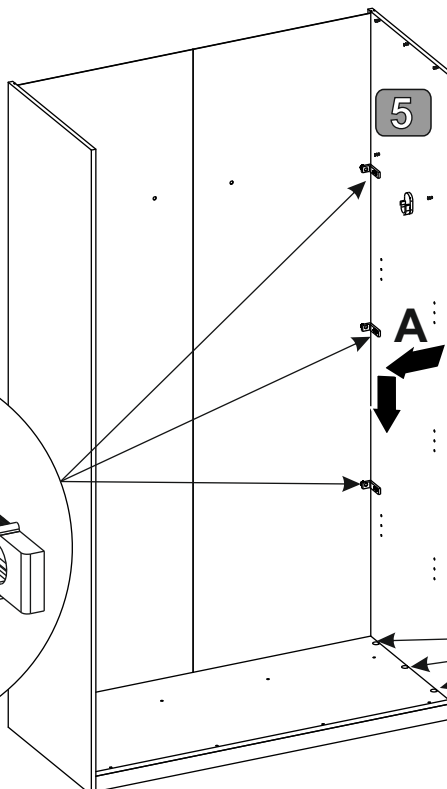
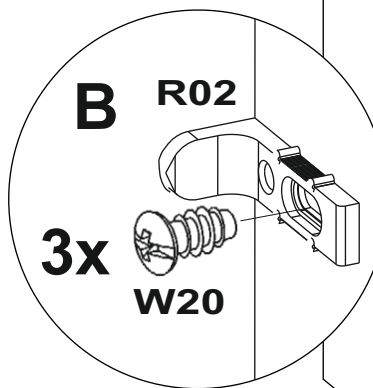
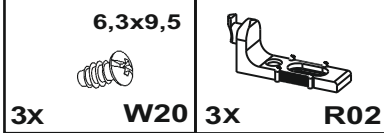
3x



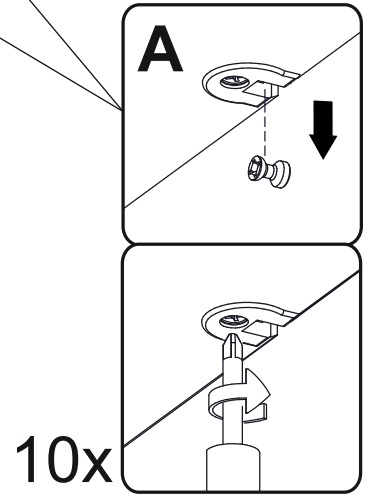
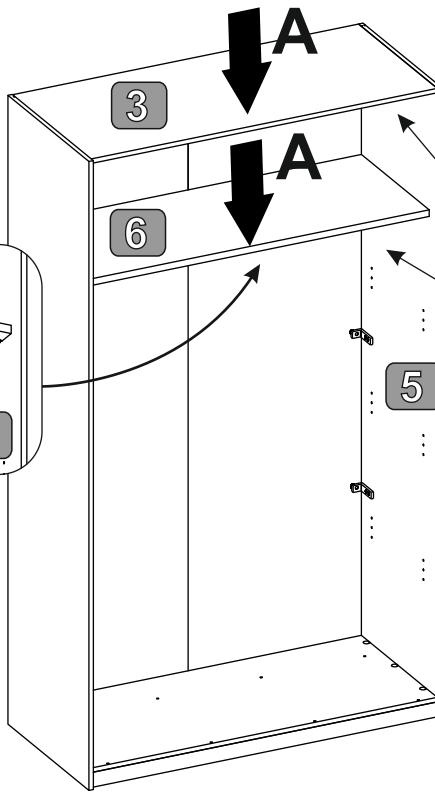
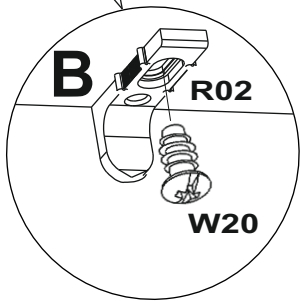
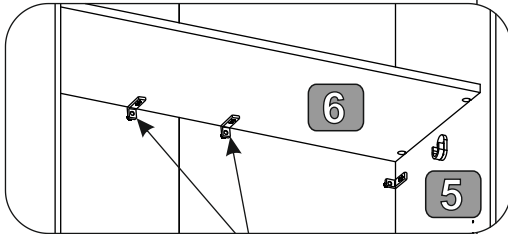
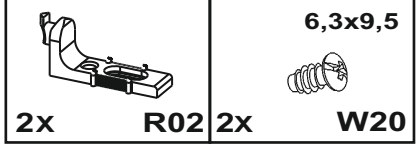
## 5



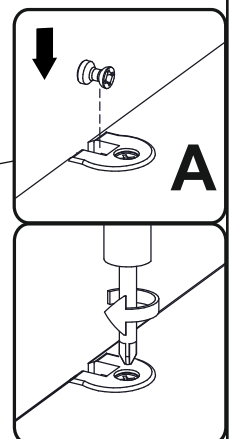
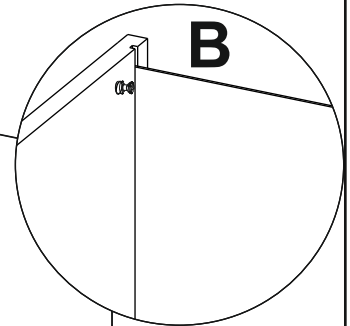
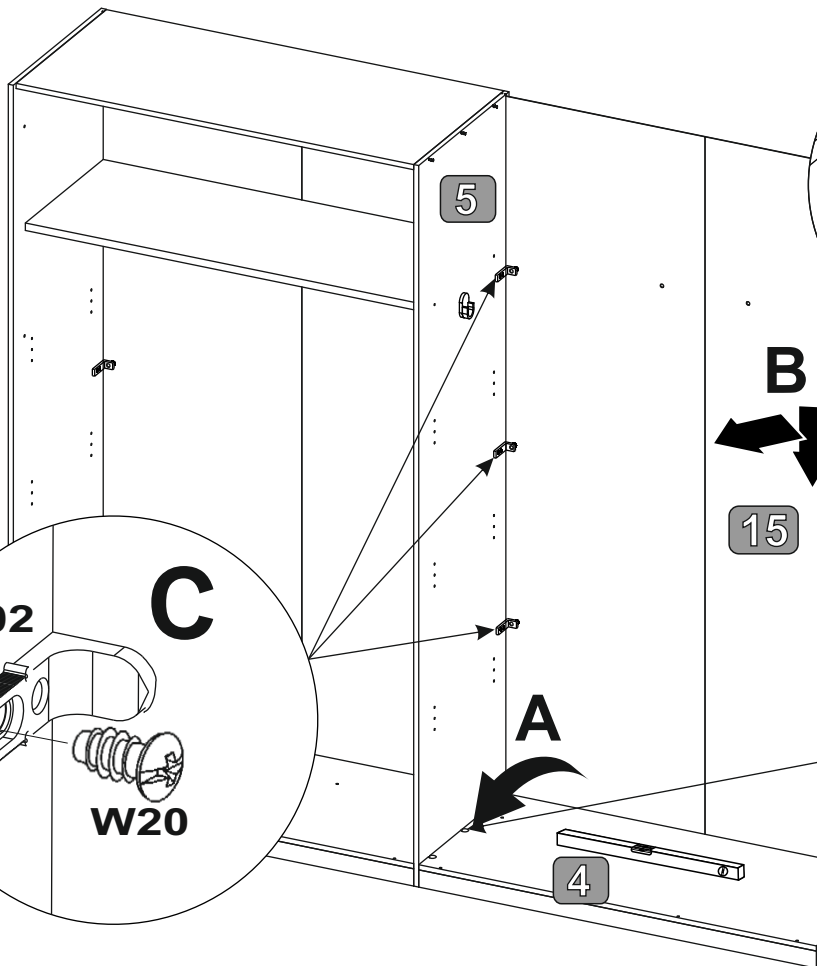
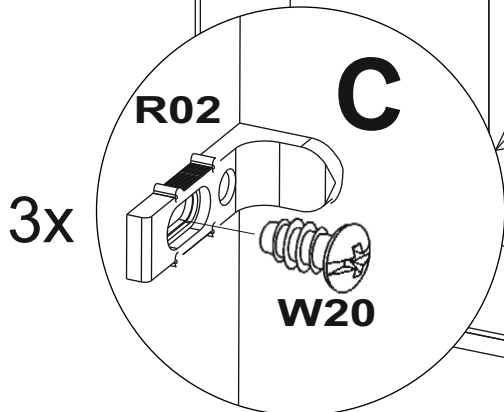
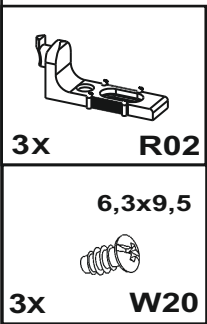
## 6



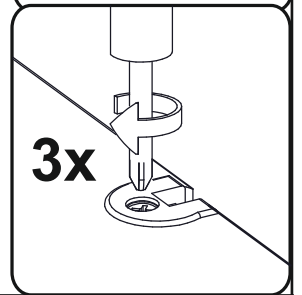
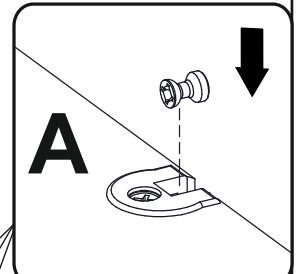
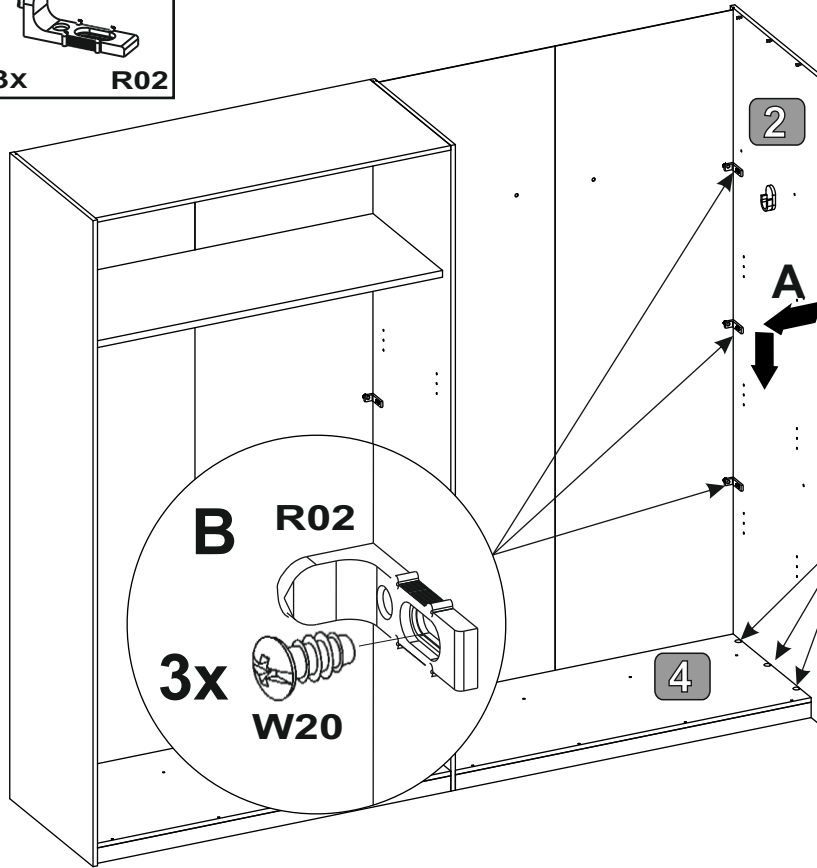
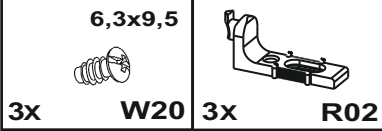
## 7



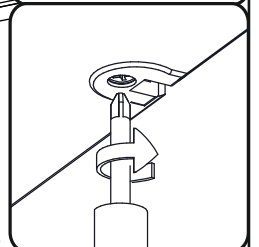
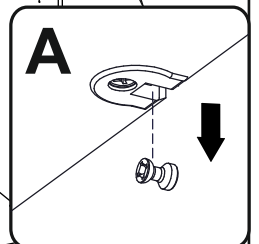
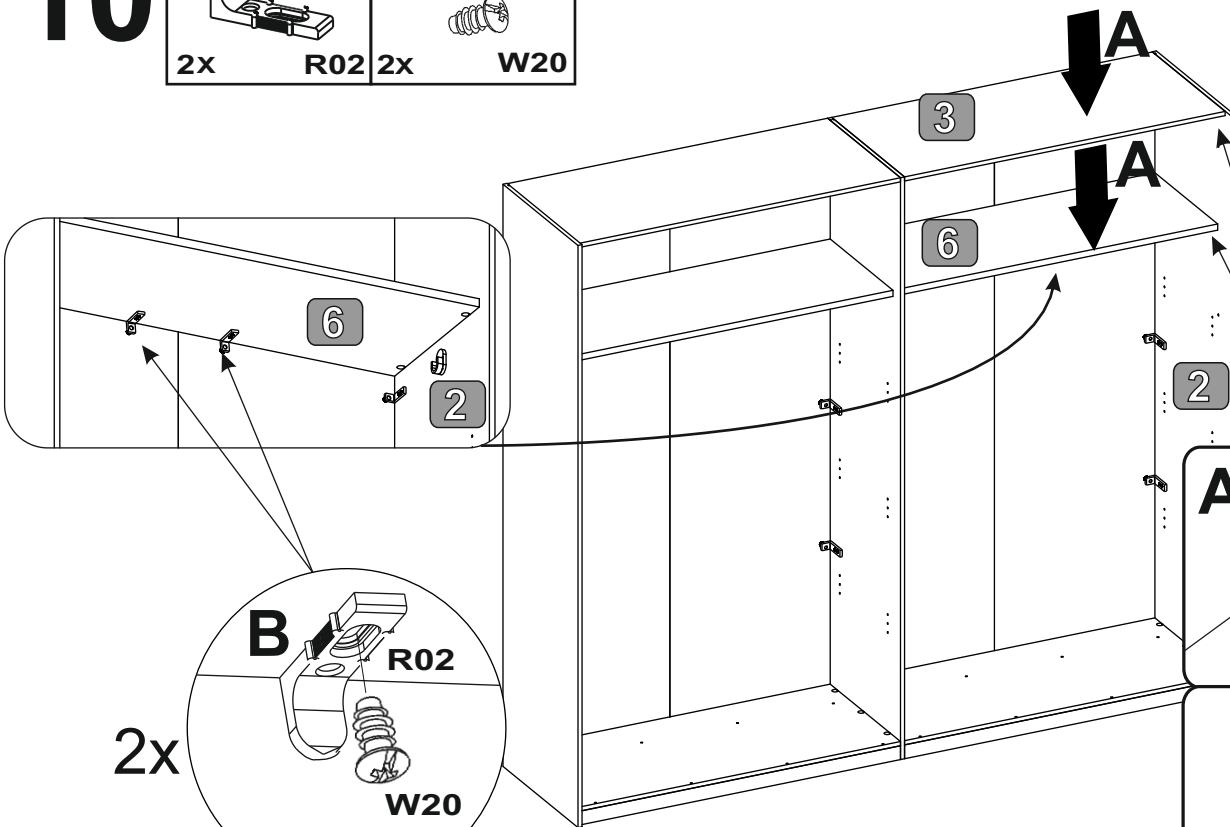
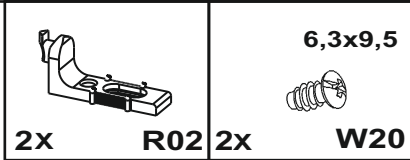
## 8



9

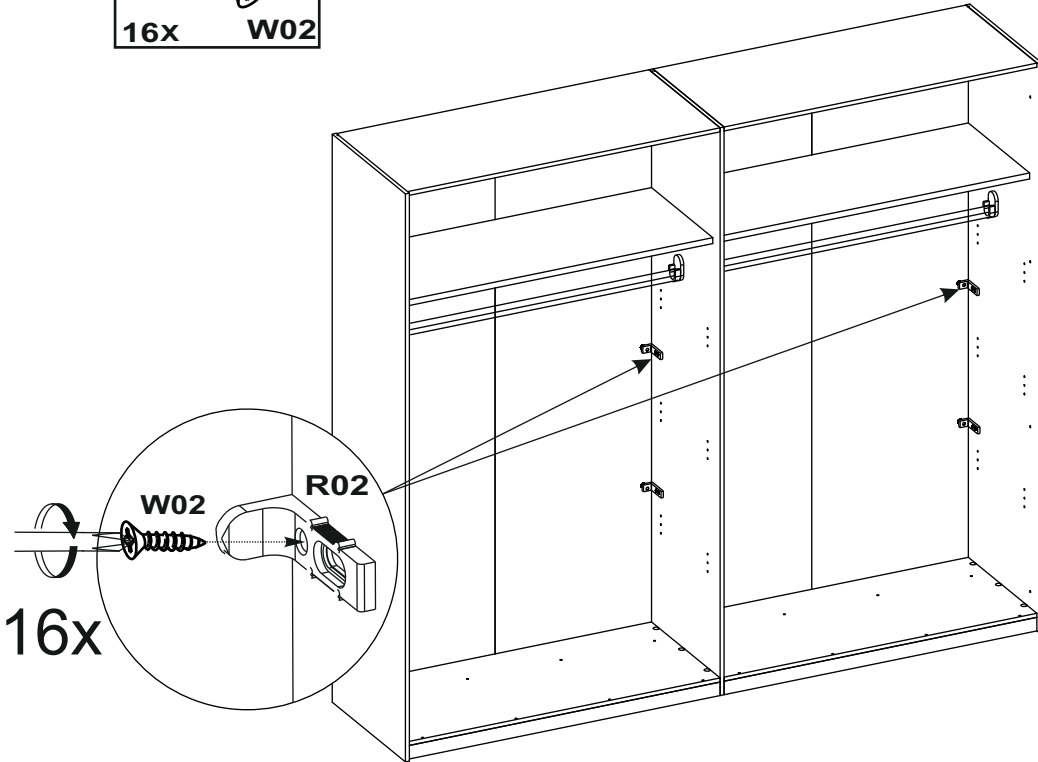
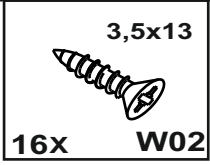


10

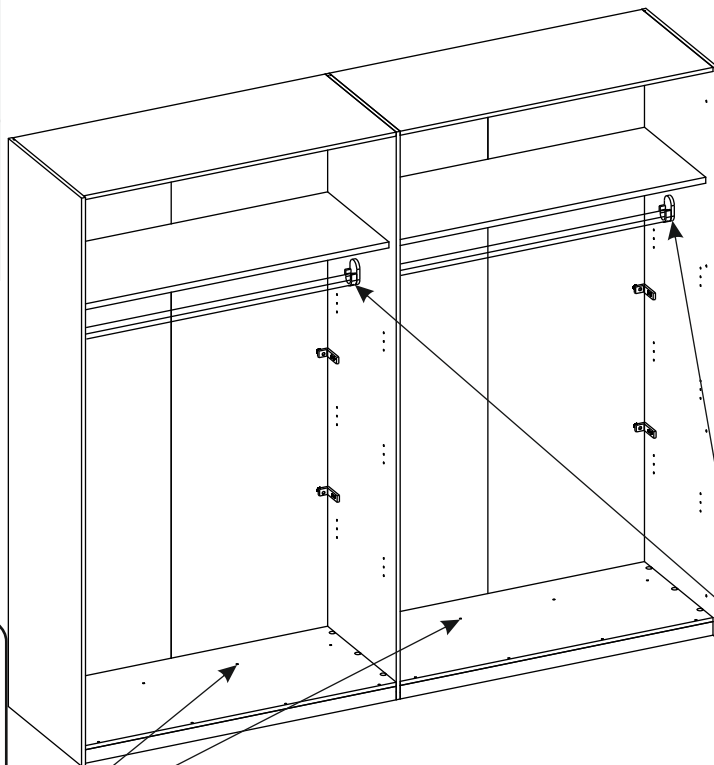
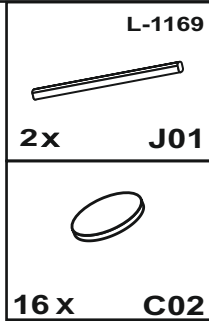




11

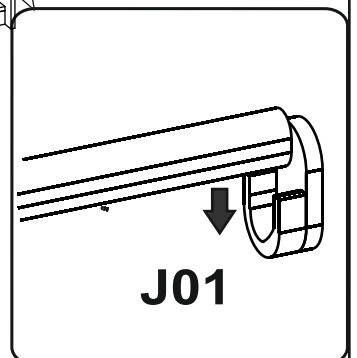
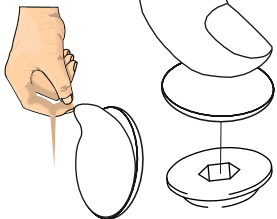


12

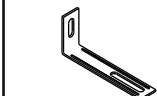


16x

C02



13



2x

P01



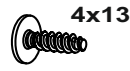
2x

F01



2x

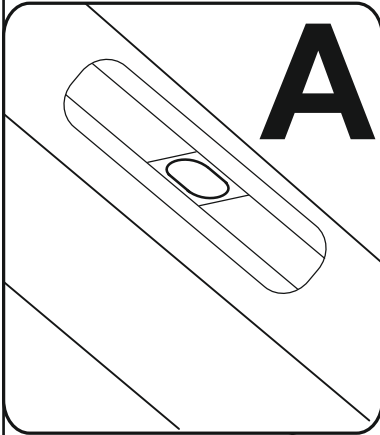
F11



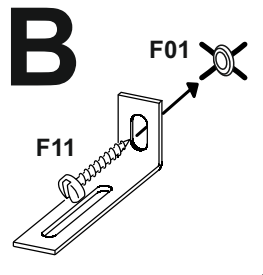
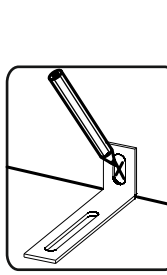
4x13

4x

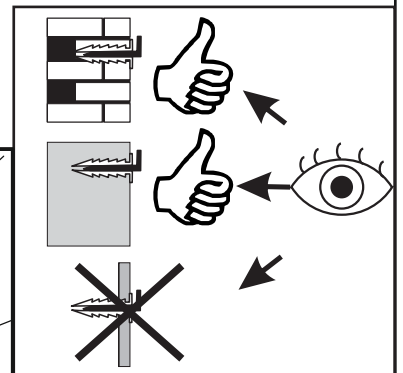
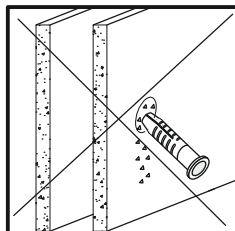
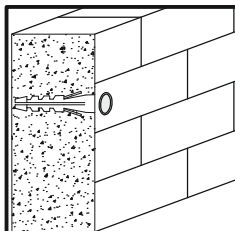
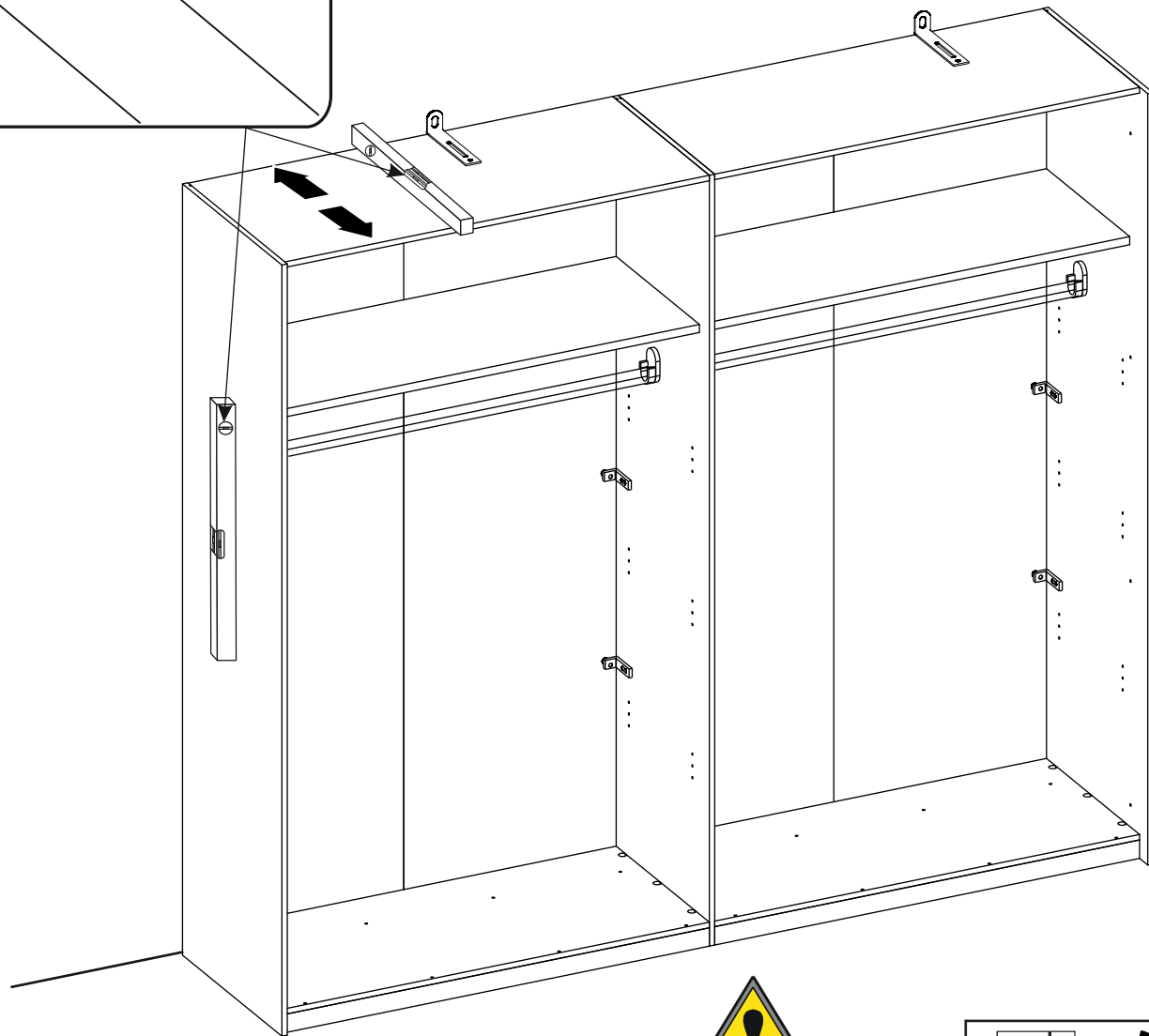
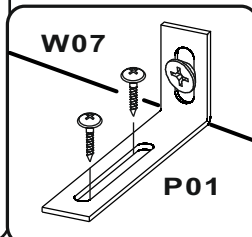
W07



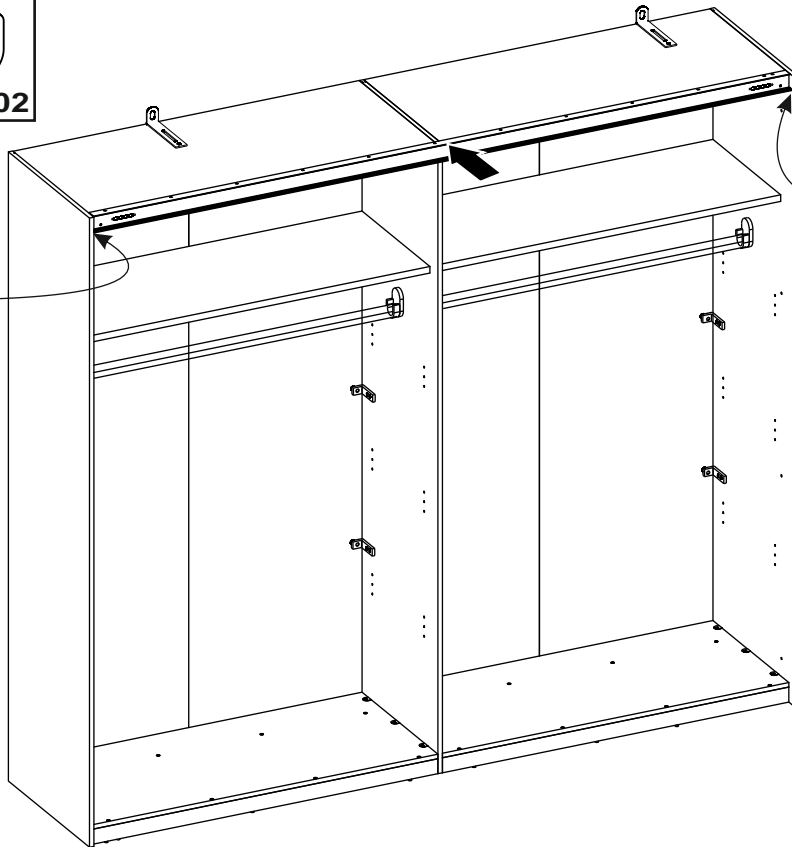
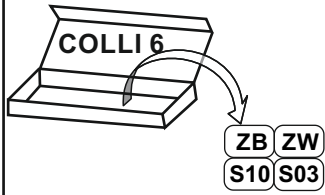
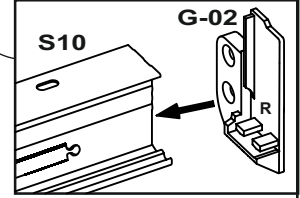
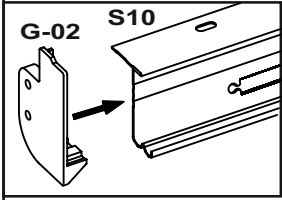
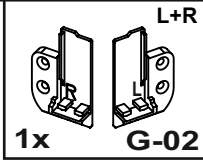
A



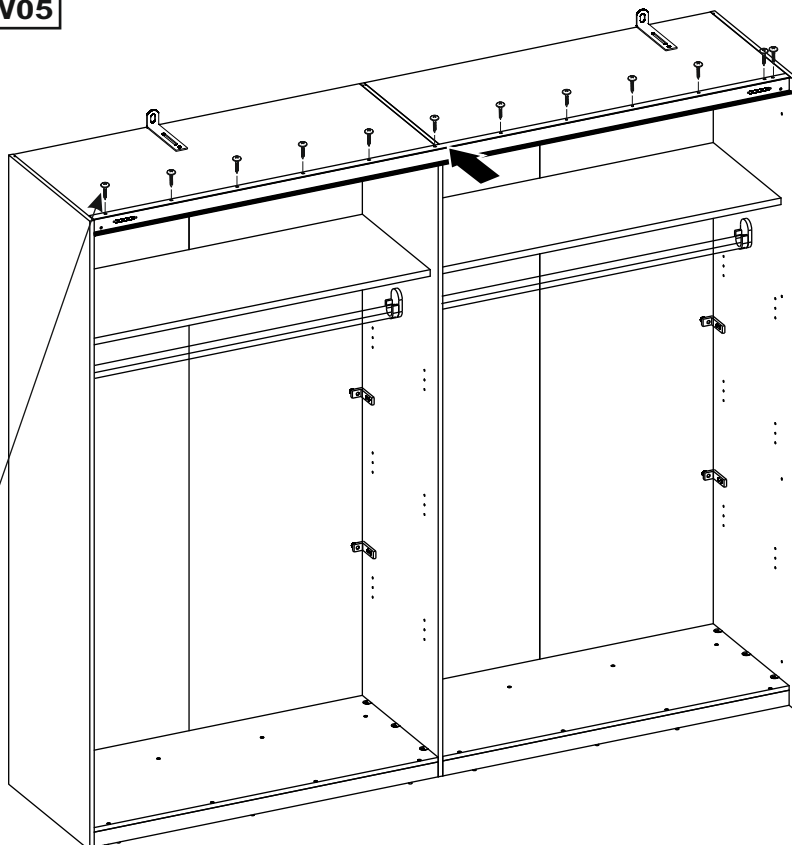
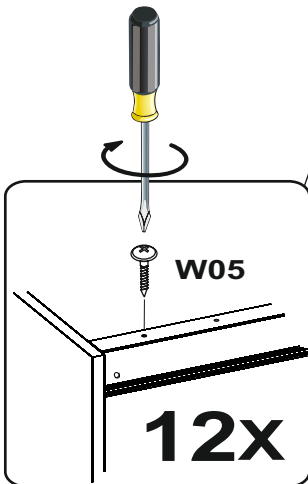
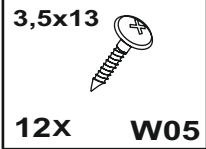
B



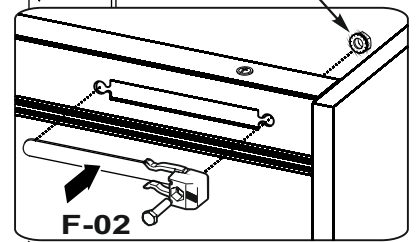
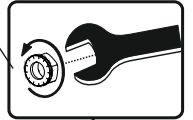
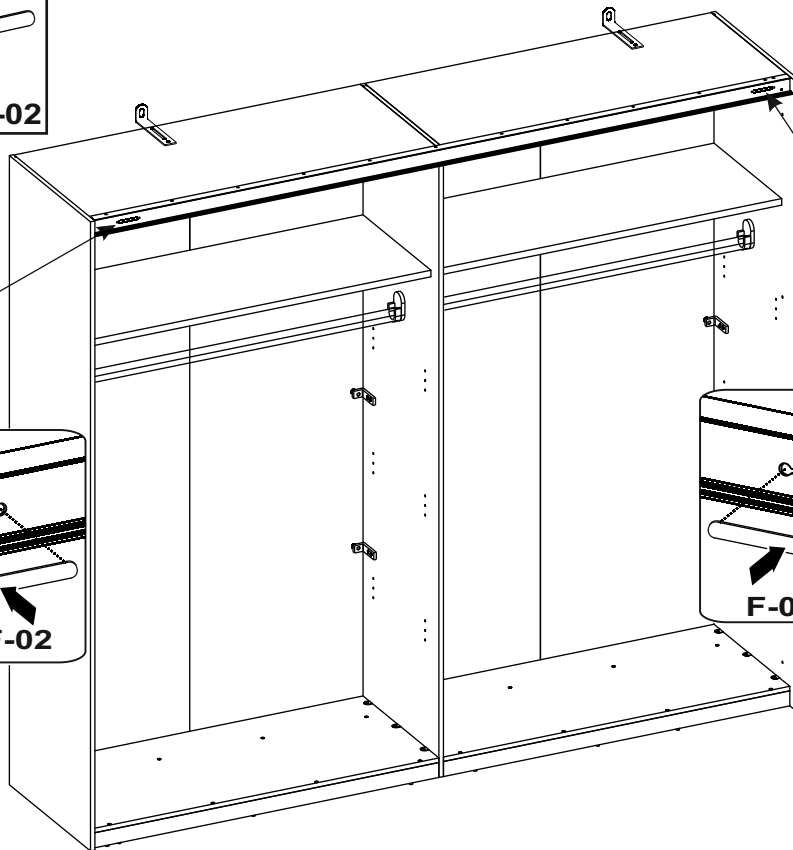
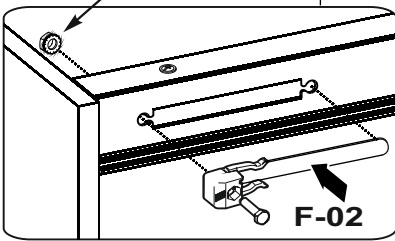
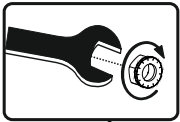
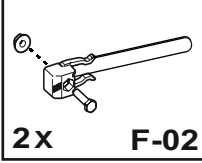
14



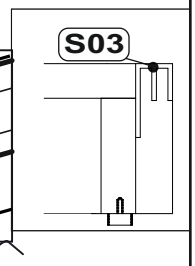
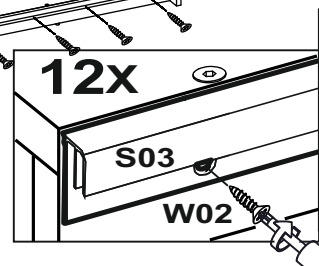
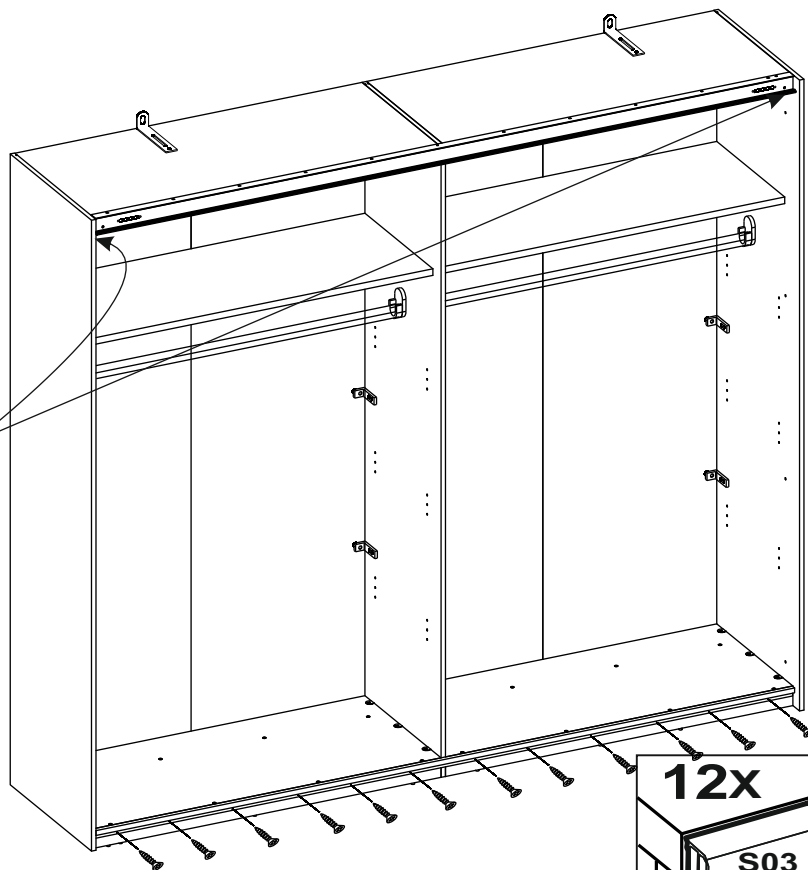
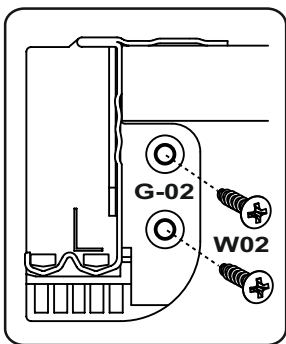
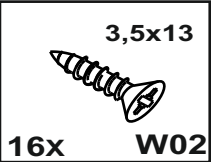
15



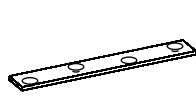
16



17

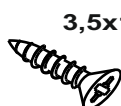


# 18



12x

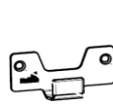
W08



3,5x13

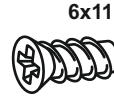
48x

W02



2x

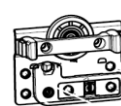
P-06



6x11

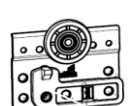
14x

W12



1x

P-08

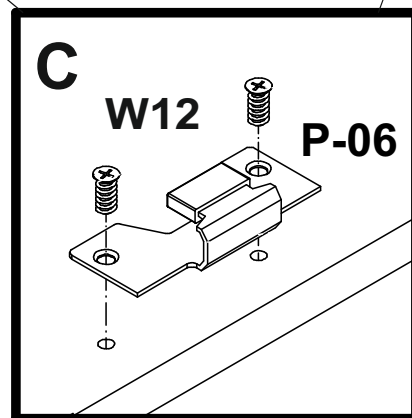
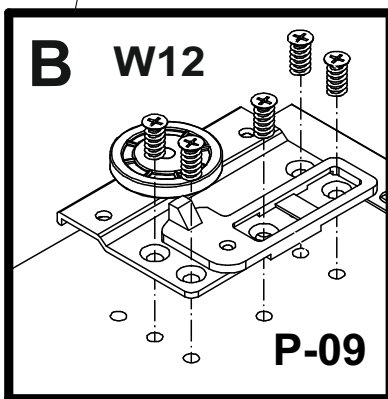
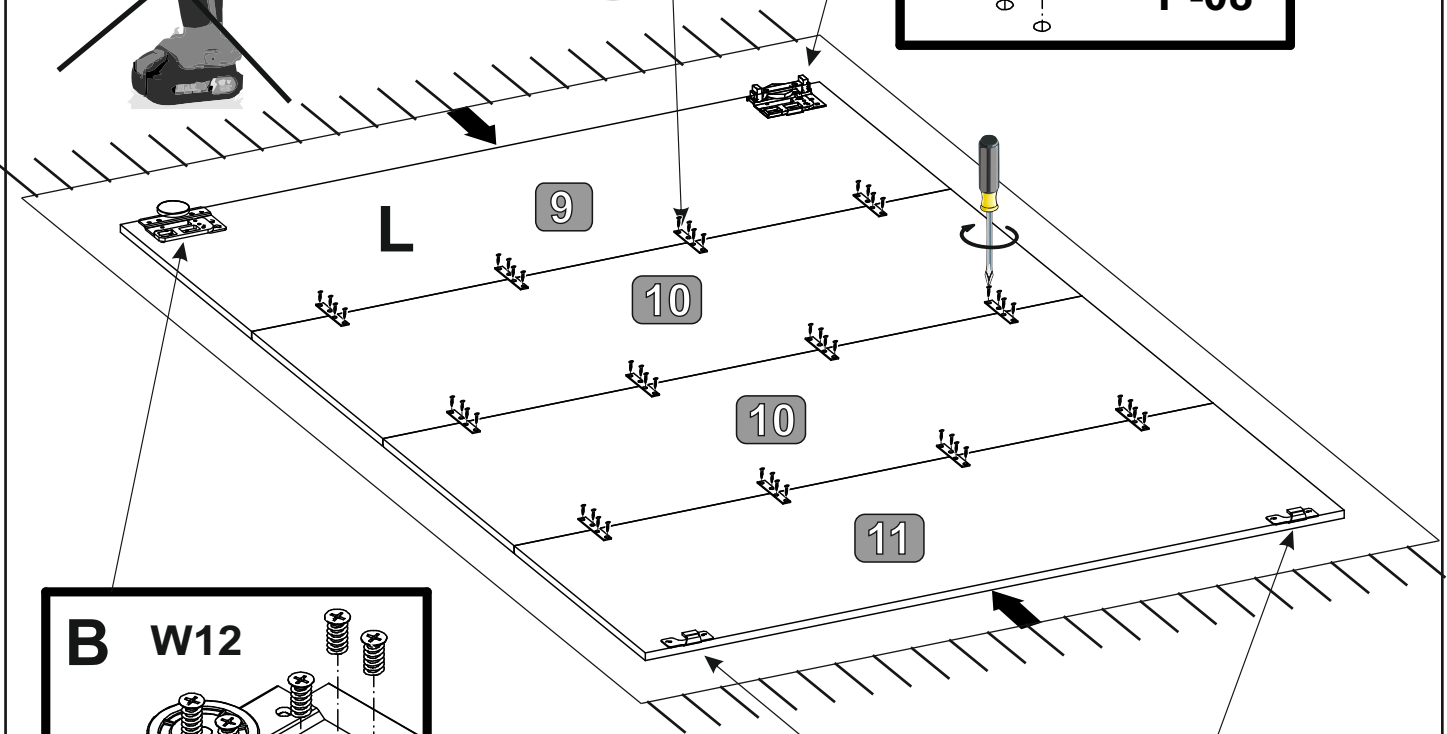
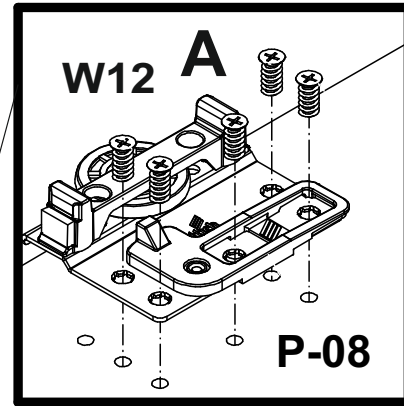
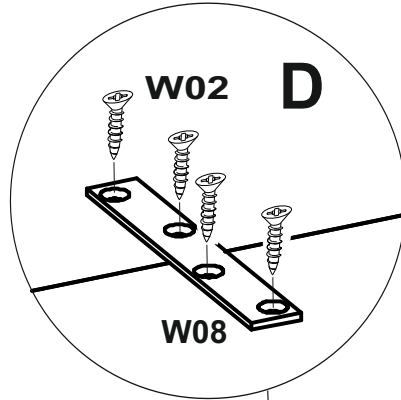


1x

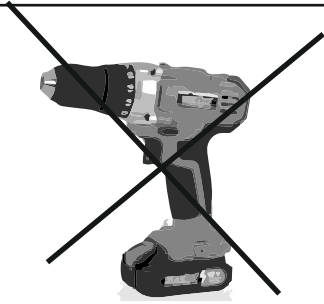
P-09

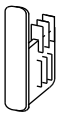
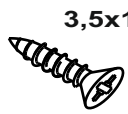
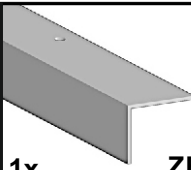
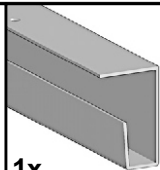


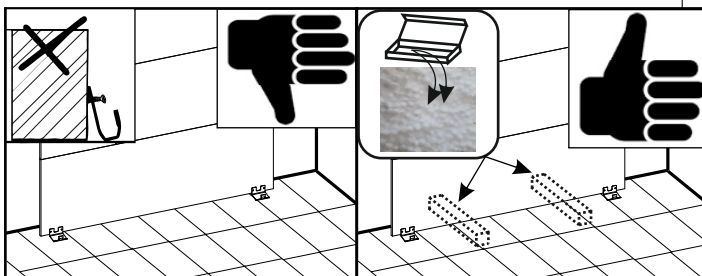
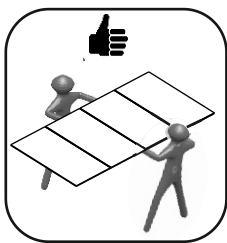
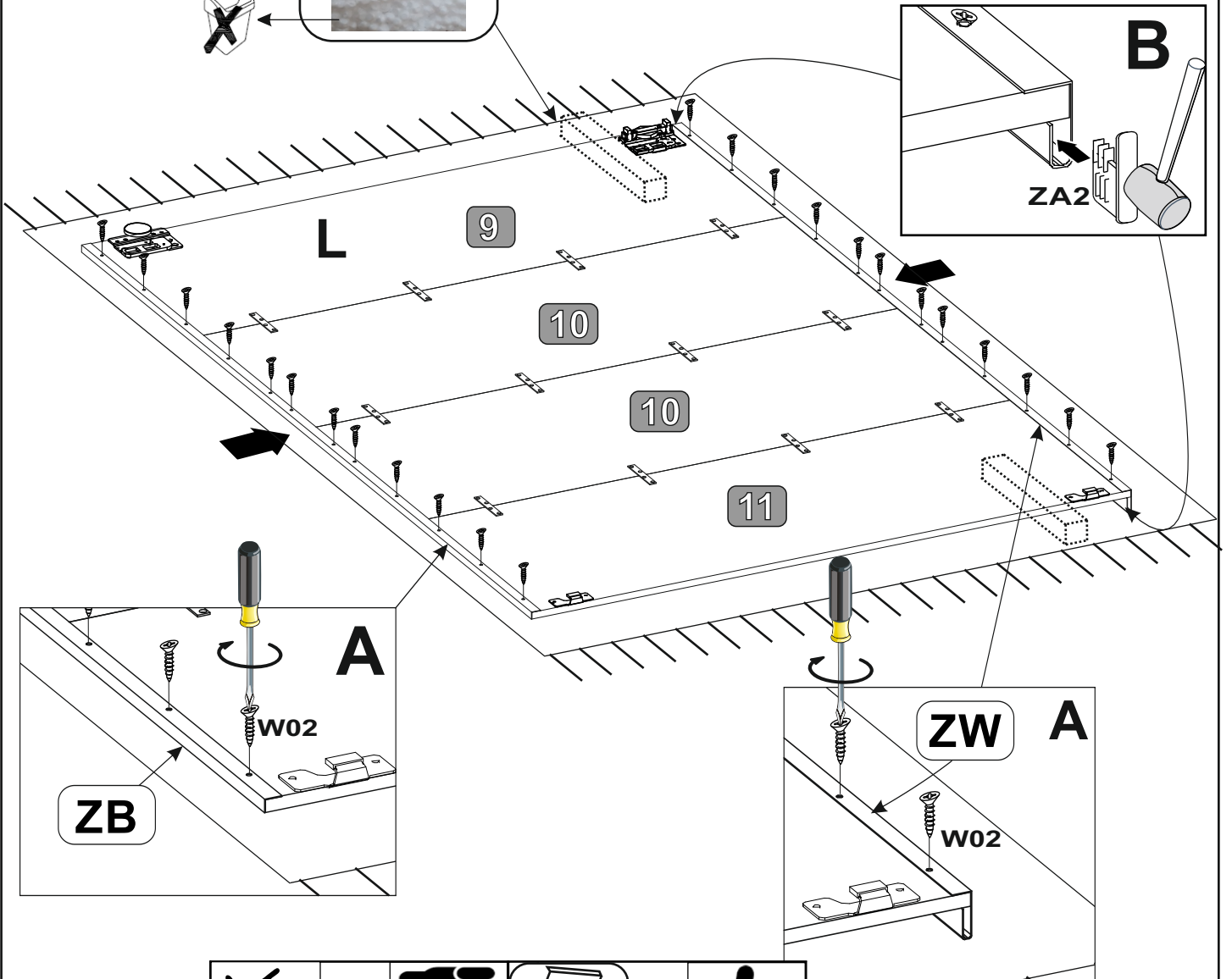
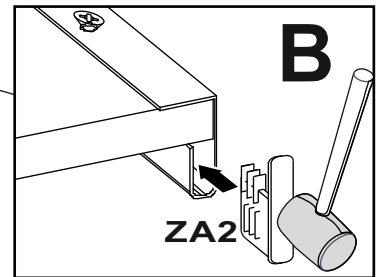
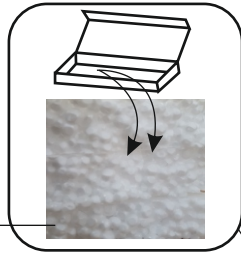
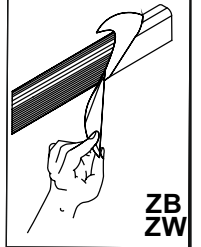
9 10  
11



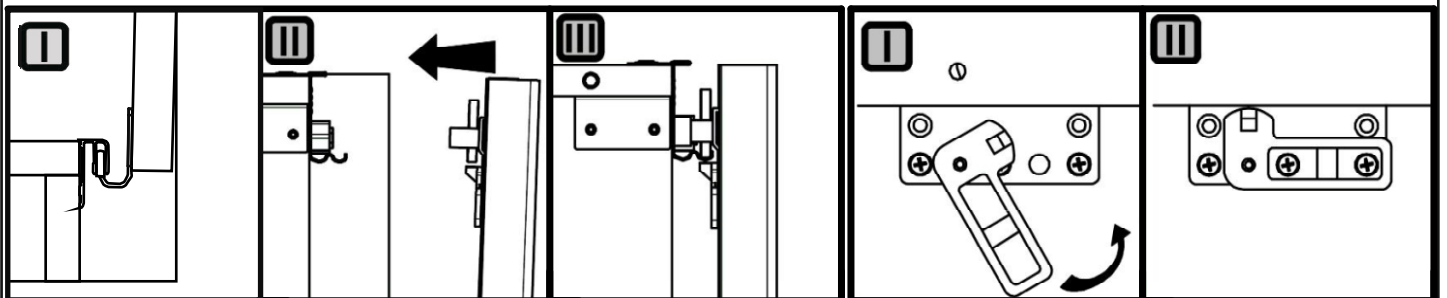
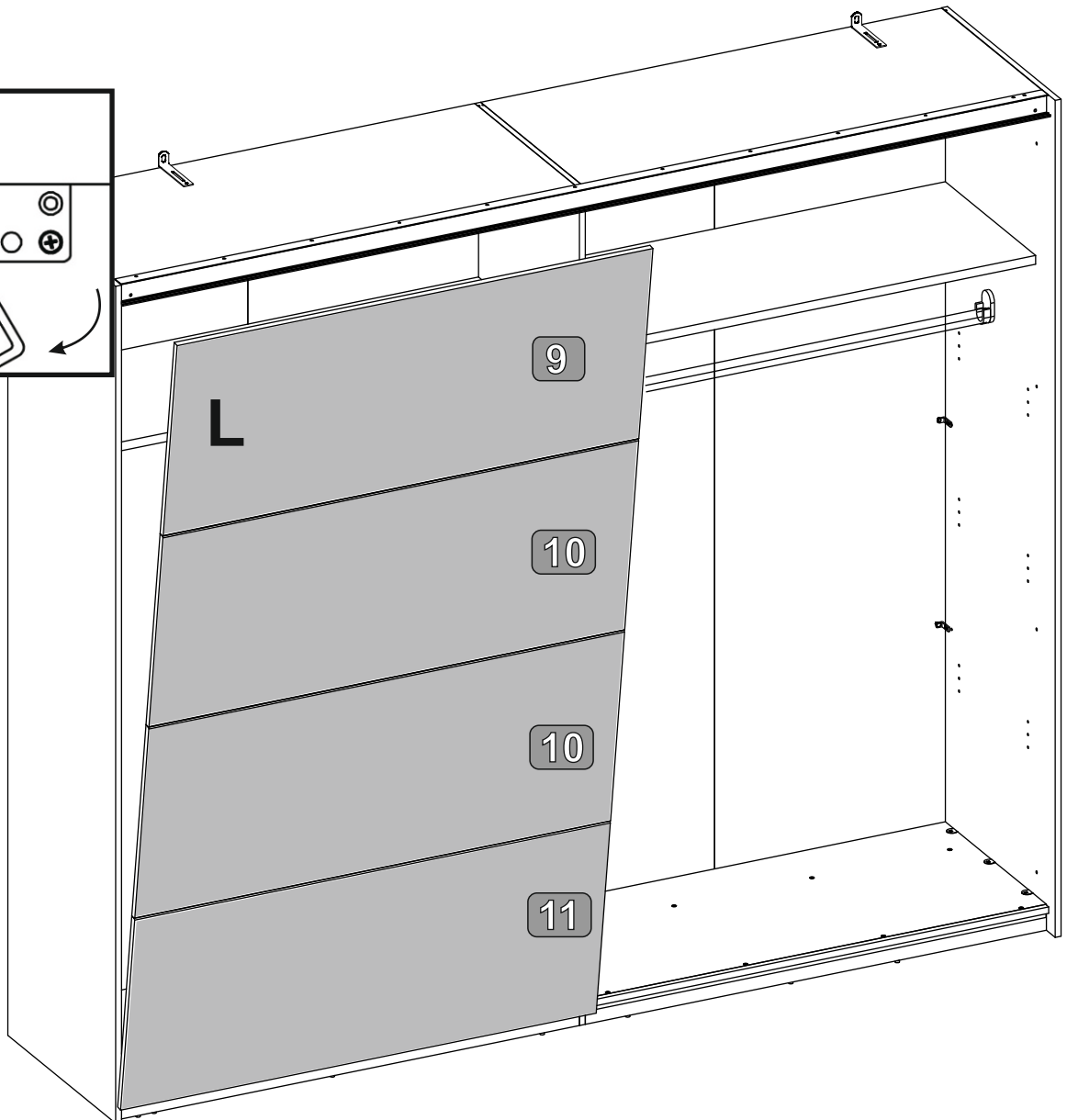
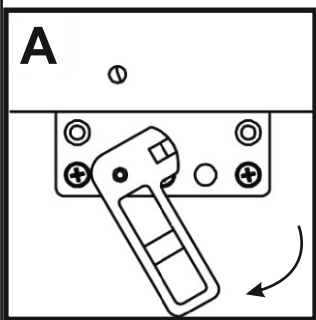
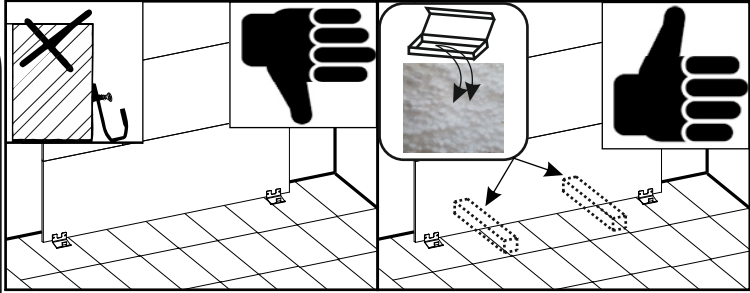
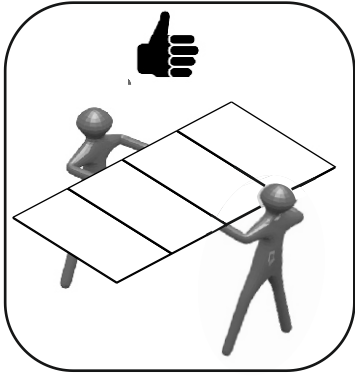
19




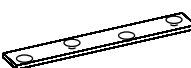

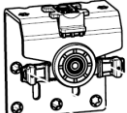
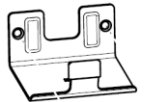
 2X	 3,5x13 24X	 1x	 1x
---	---	---	---

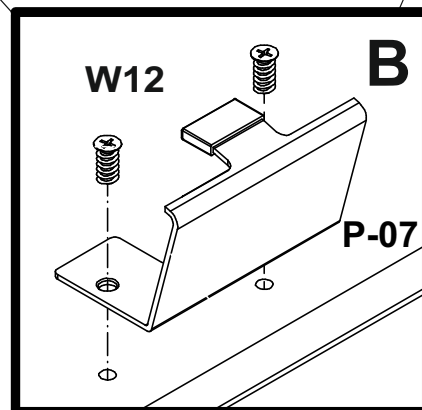
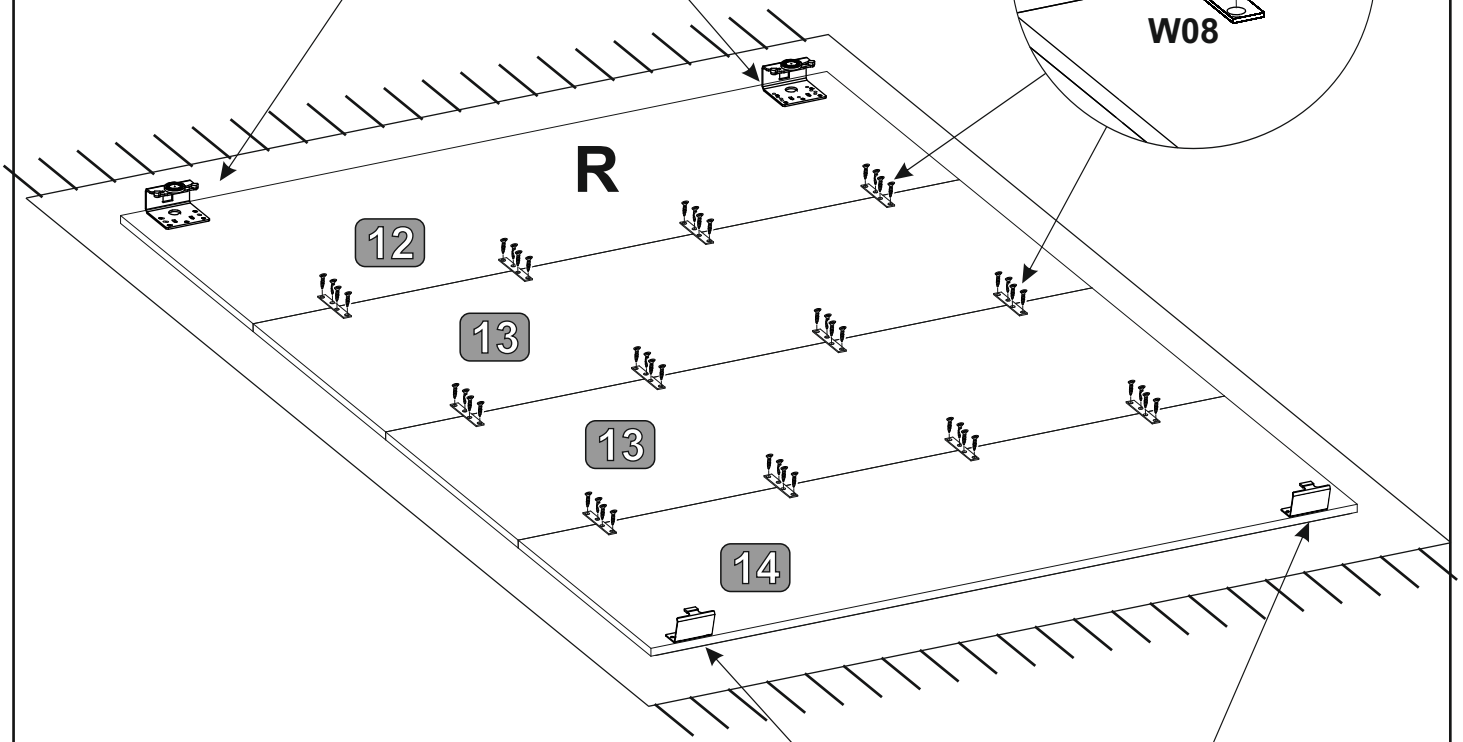
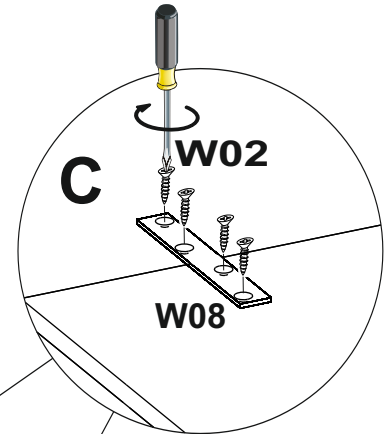
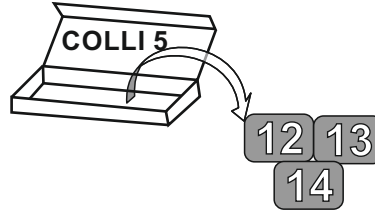
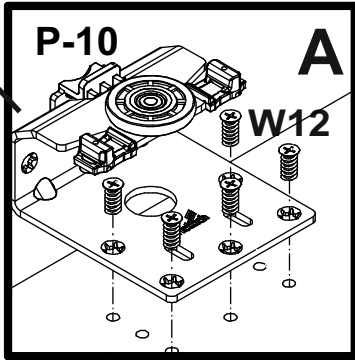
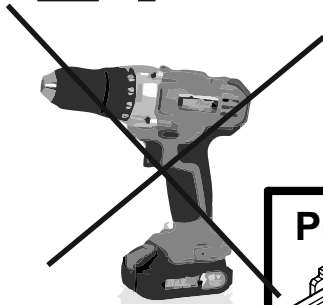


20



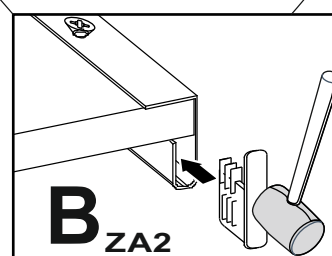
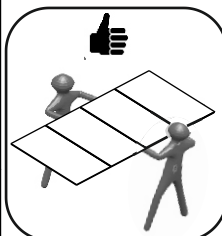
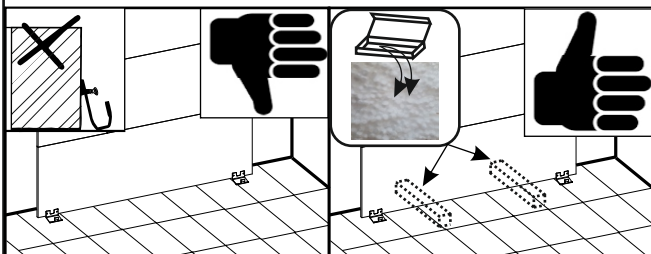
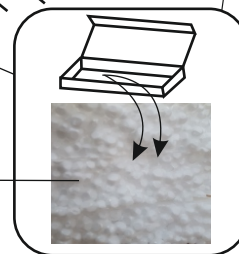
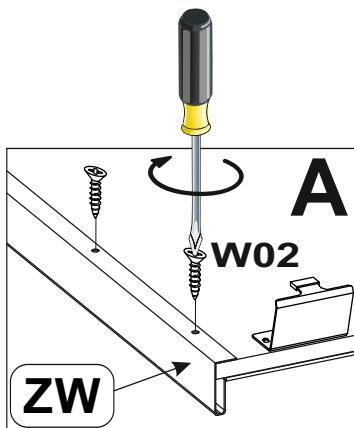
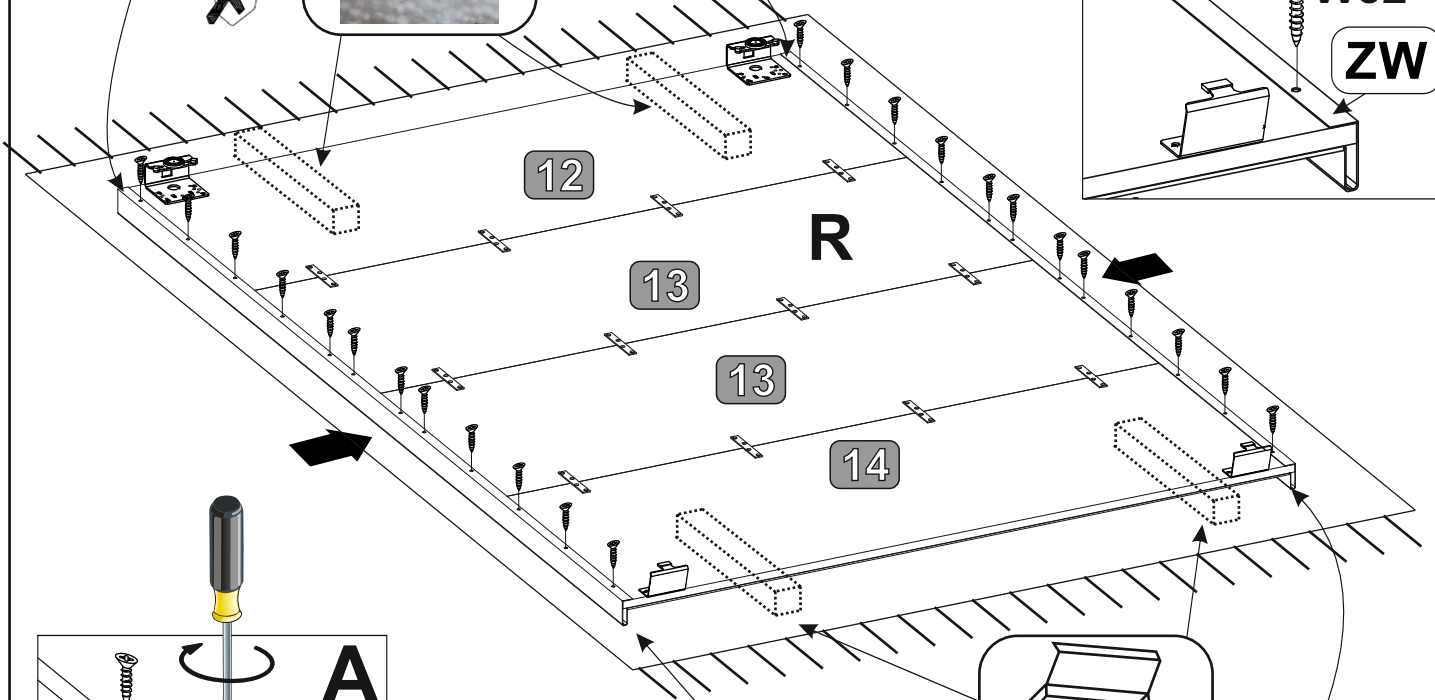
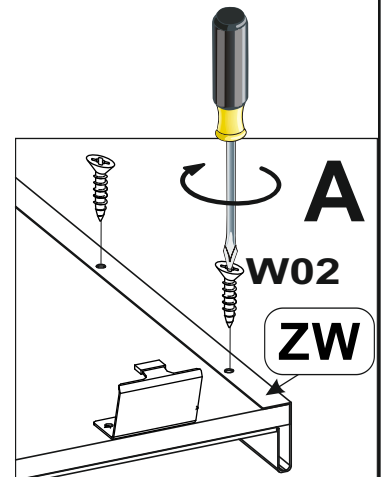
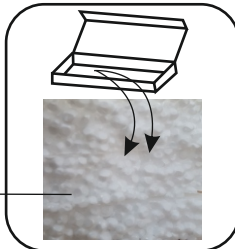
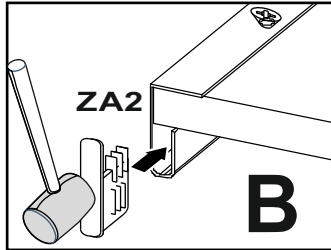
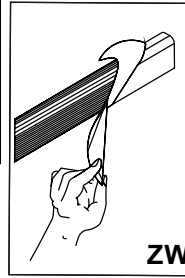
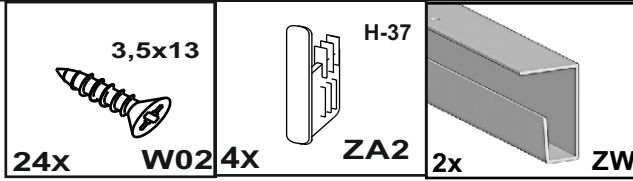
21

 3,5x13 48x W02	 12x W08	 6x11 14x W12	 2x P-10	 2x P-07
--	--	---	--	--





# 22



23

