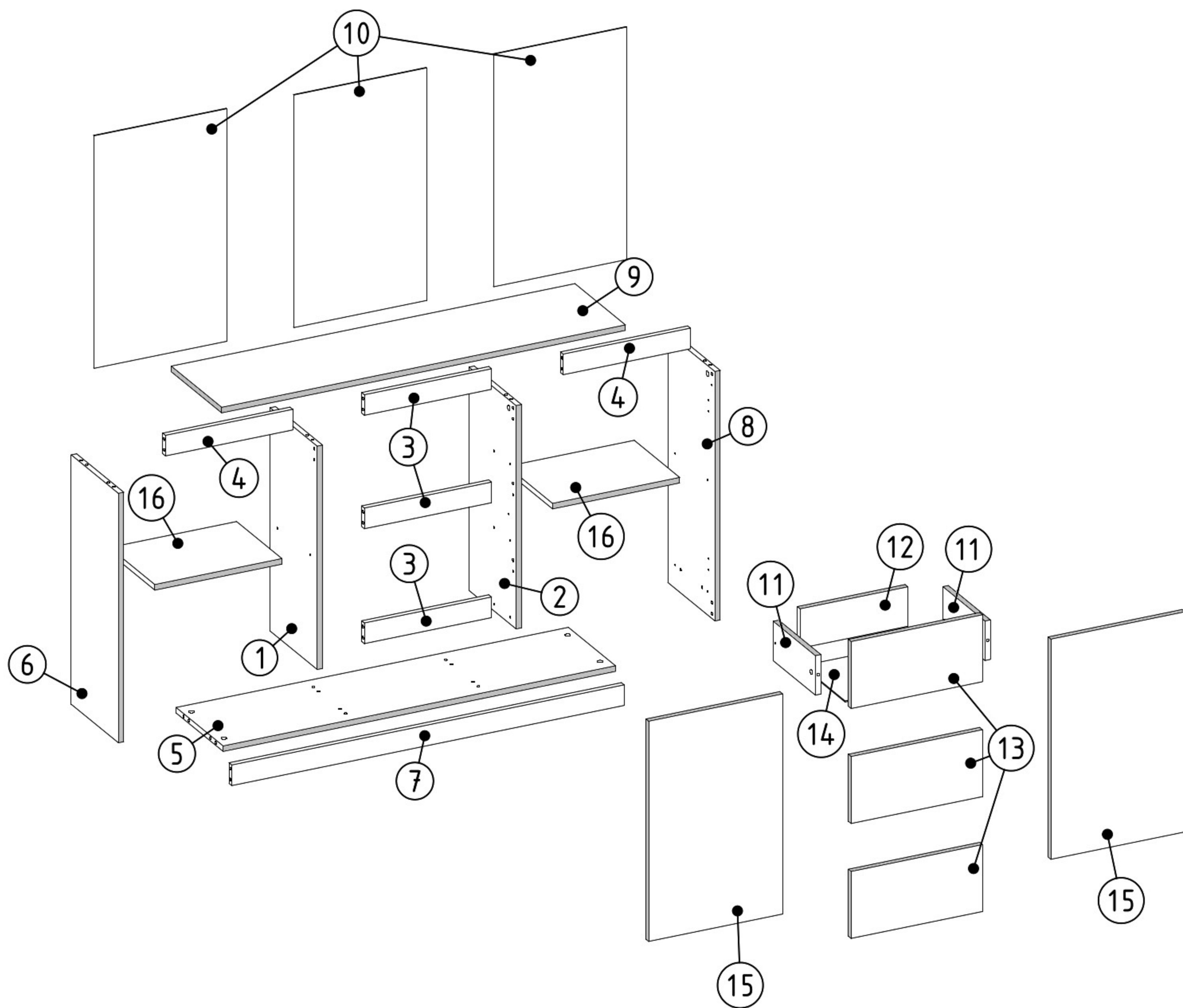







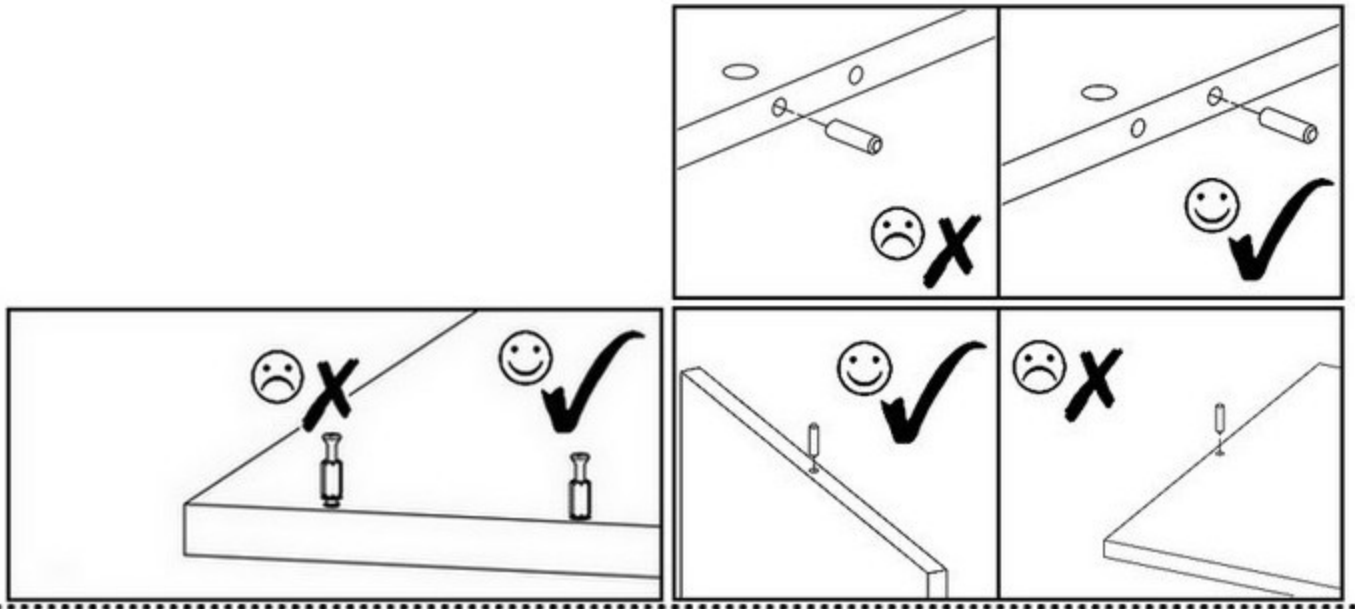
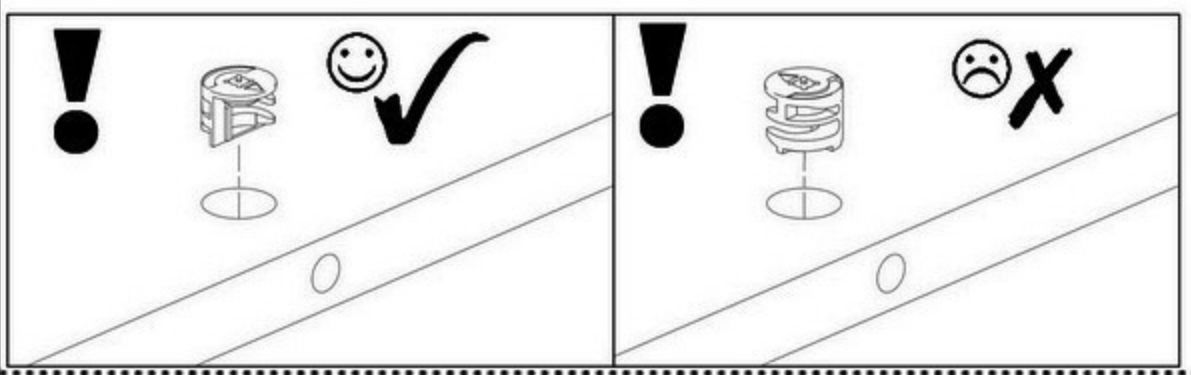
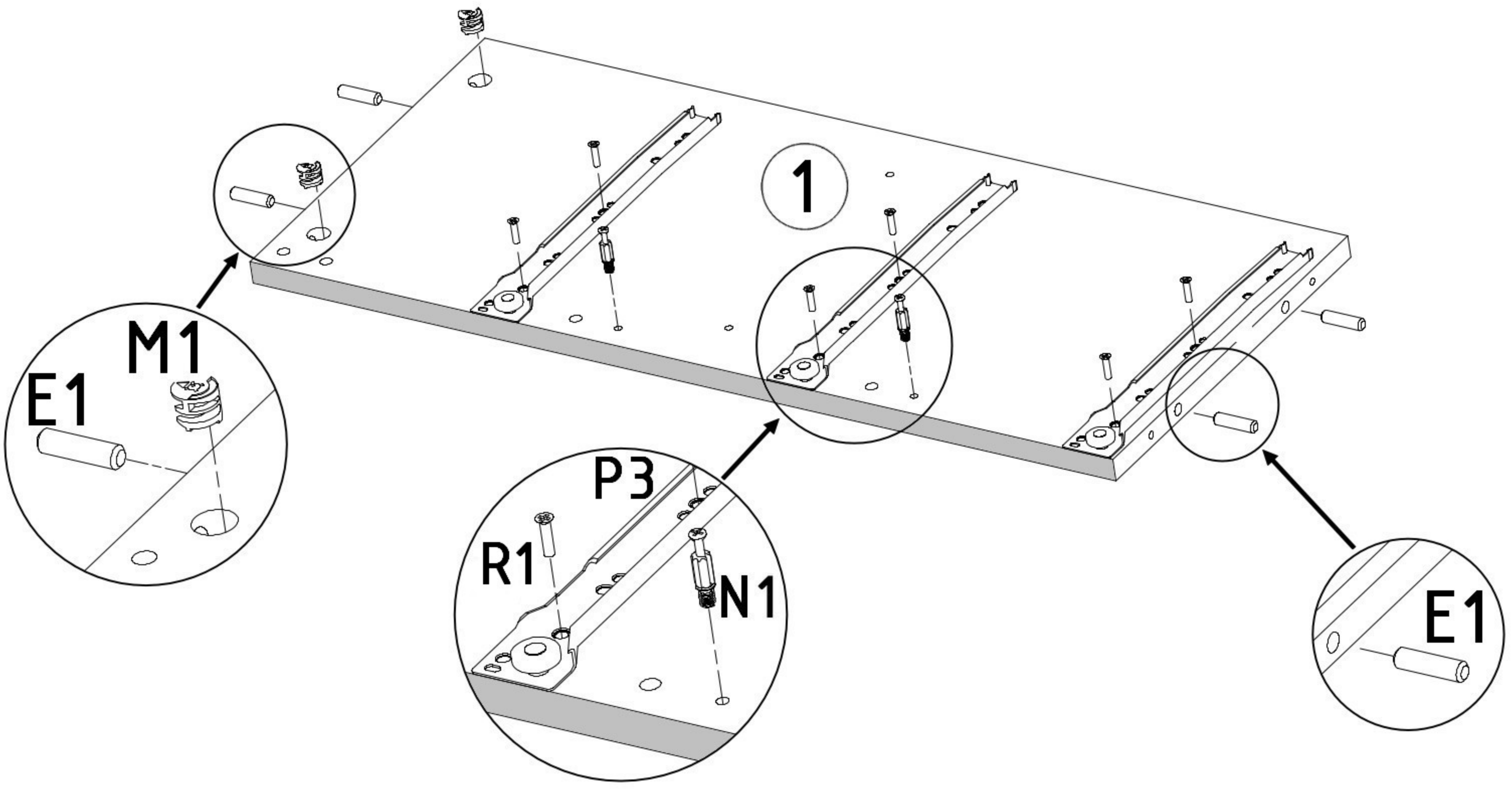
V13 x1	S6 2,5x20mm x8	B1 S-A ø17/4-5mm x4	B1 B ø17/4-5mm x10	B1 Ant ø17/4-5mm x4			
N1 L=35 mm x26	M1 12x15 mm x30	V15 x8	S1 3,5x16 mm x22	E1 8x30 mm x24	V16 5x16 mm x8	F1 7x50 mm x10	A1 ZP x4
T1 x6	Z1 x70	P3 L=350 mm x3	R1 6x8 mm x12	V25 x1	E3 8x50 mm x2	F3 x1	N4 L=62 mm x2

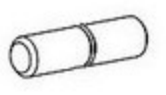


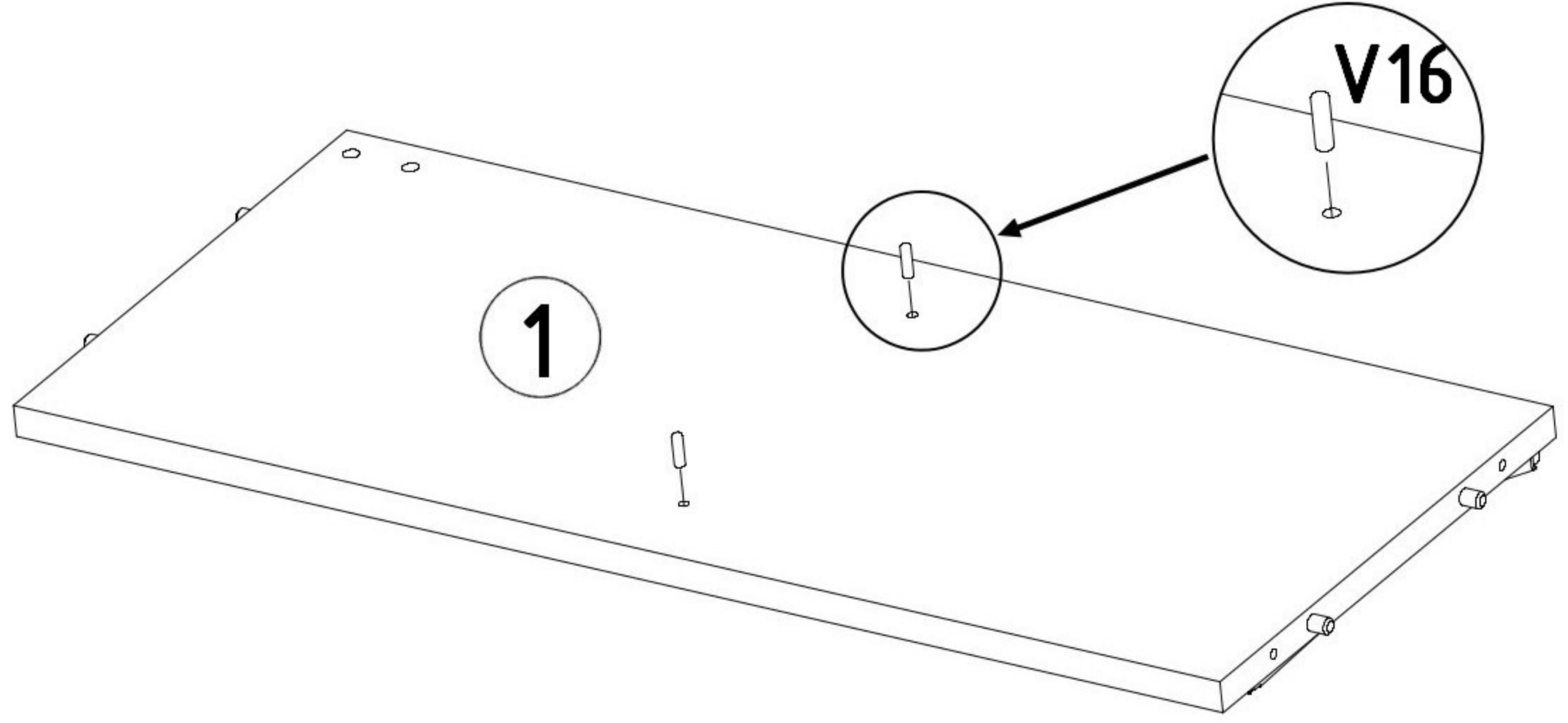
1	x	1
2	x	1
3	x	3
4	x	2
5	x	1
6	x	1
7	x	1
8	x	1






9	x	1
10	x	3
11	x	6
12	x	3
13	x	3
14	x	3
15	x	2
16	x	2

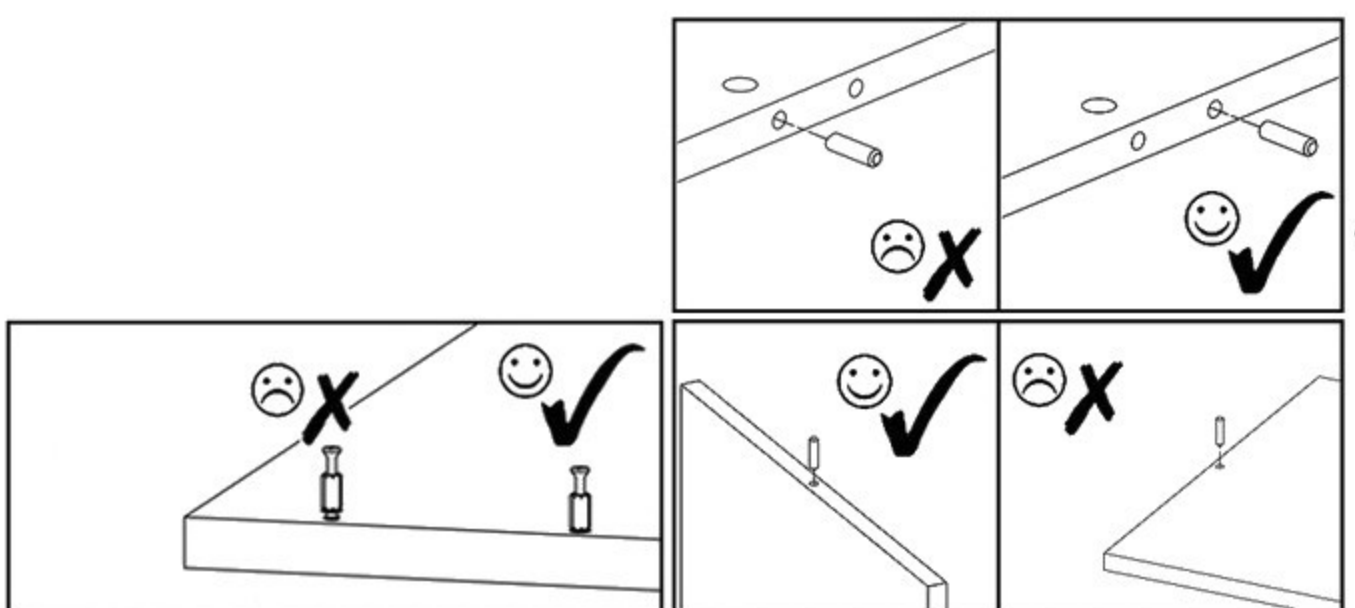
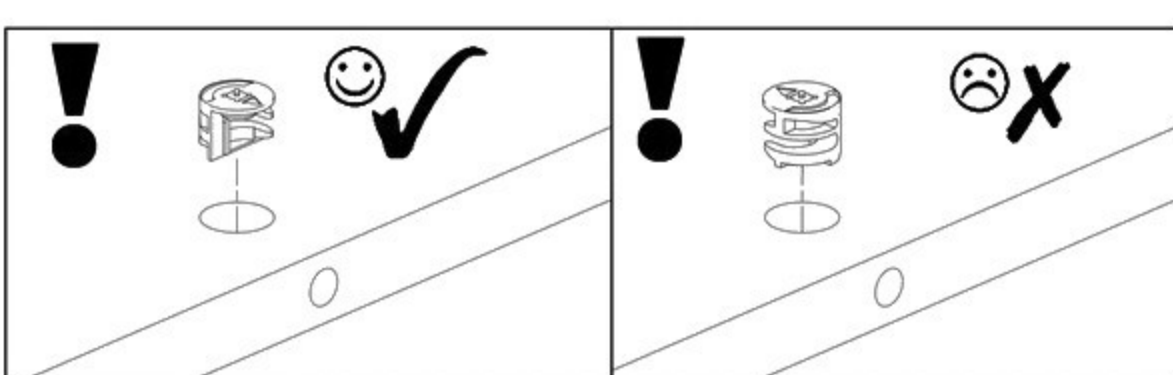
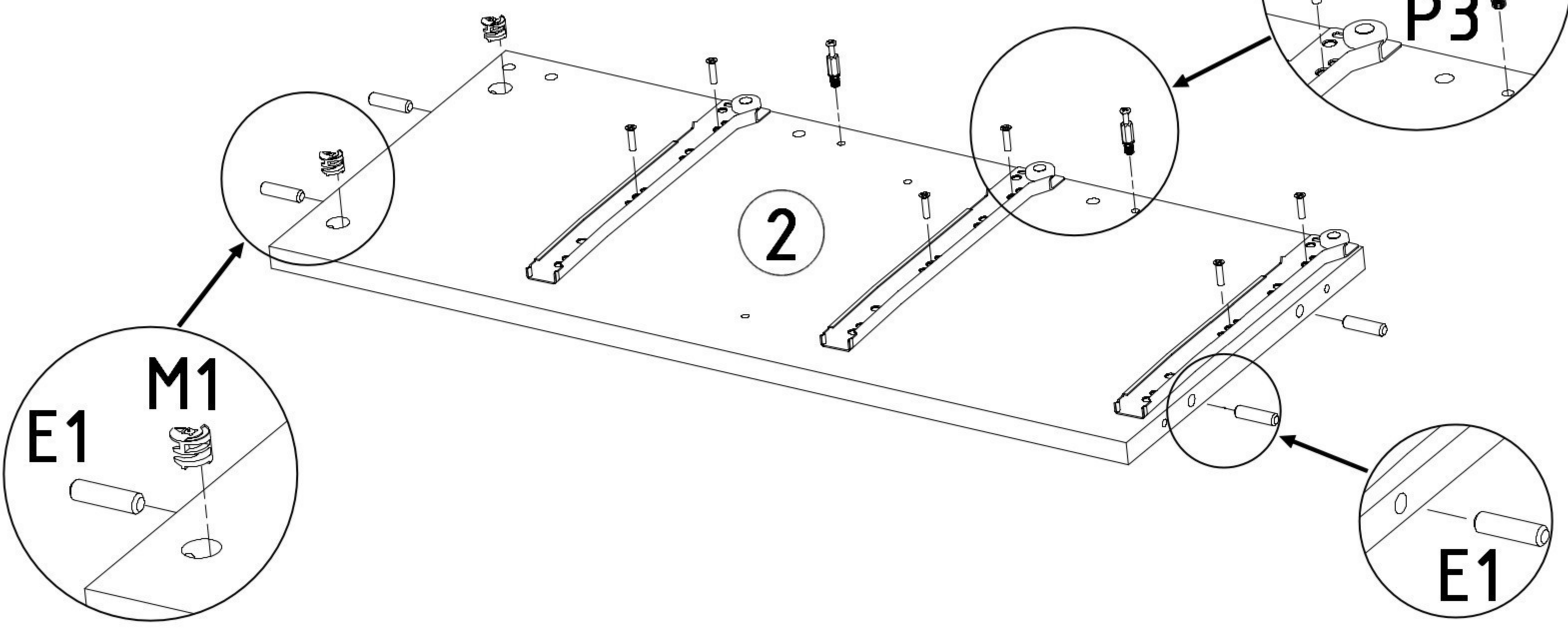
- N1  x 2
- M1  x 2
- P3  x 3
- R1  x 6
- E1  x 4

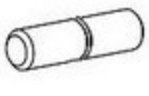


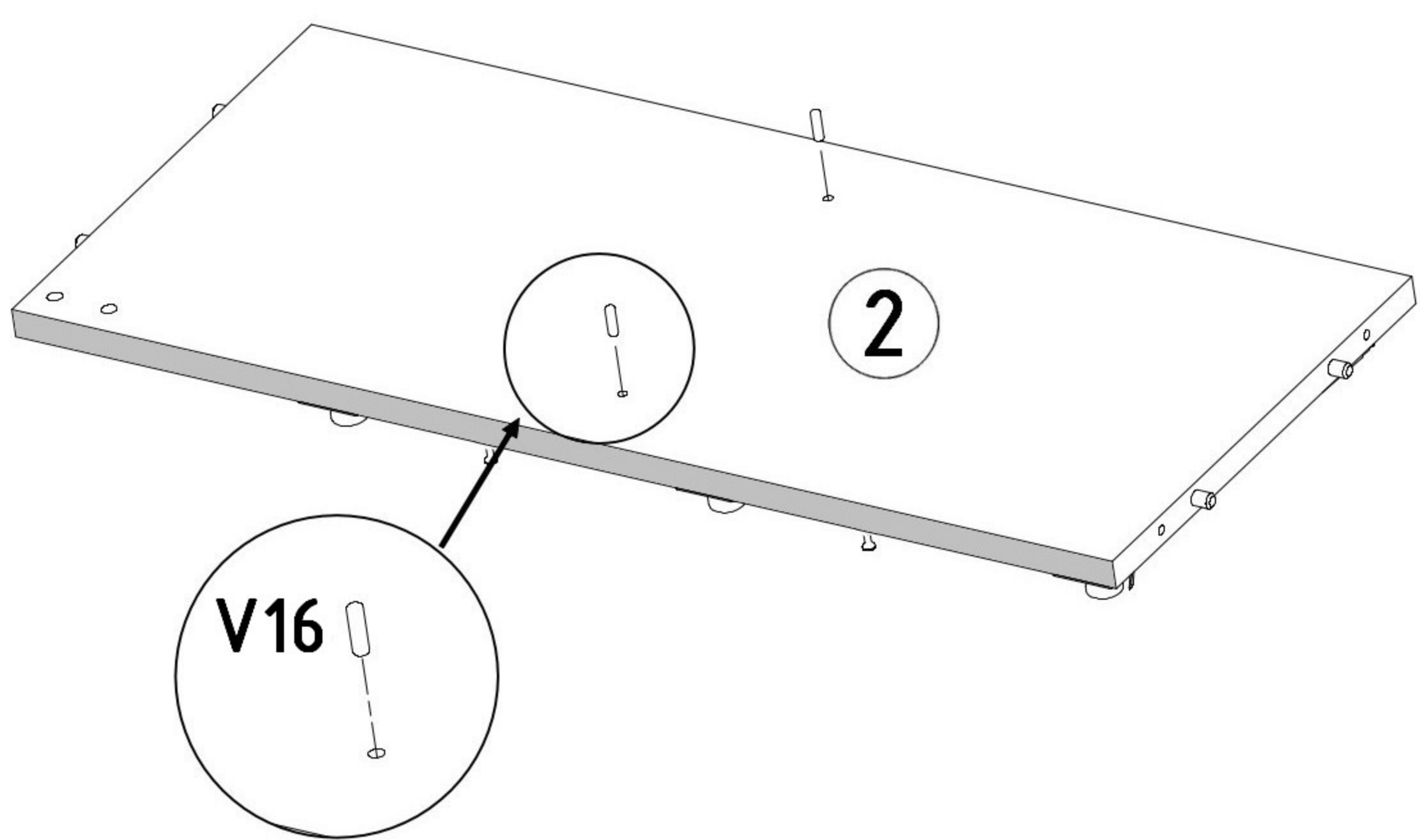
- V16  x 2

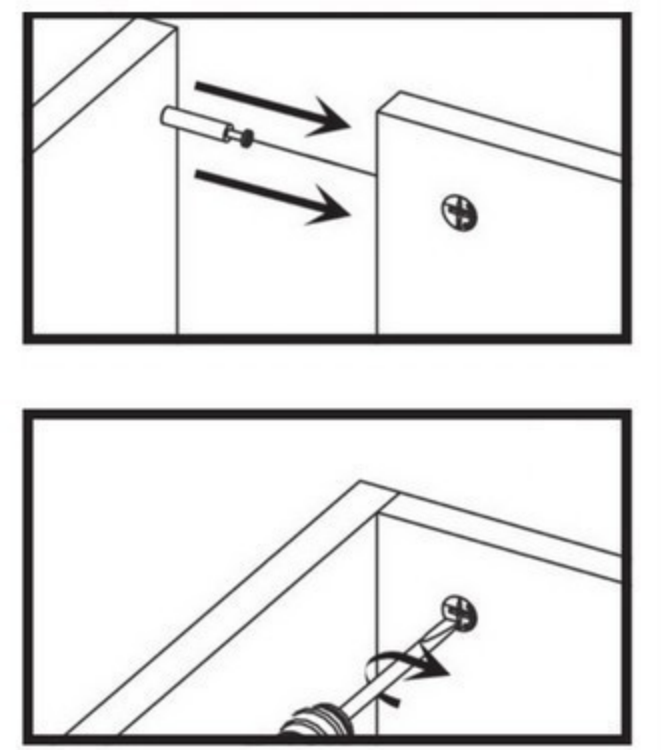
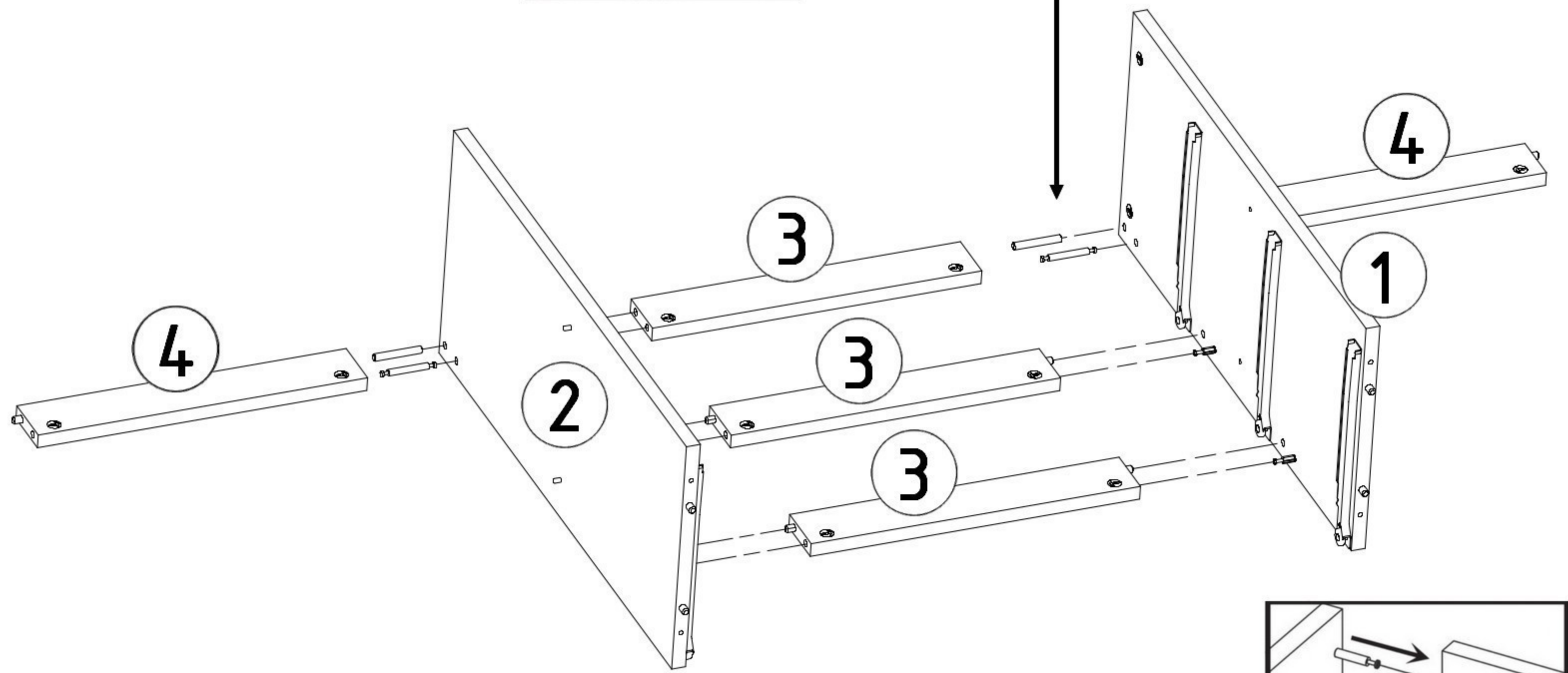
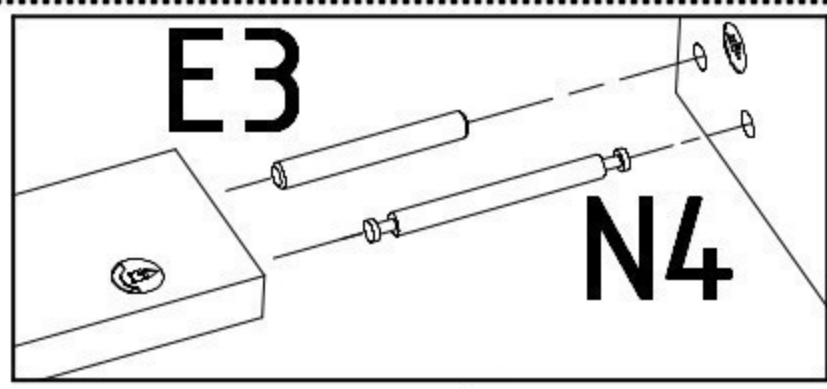
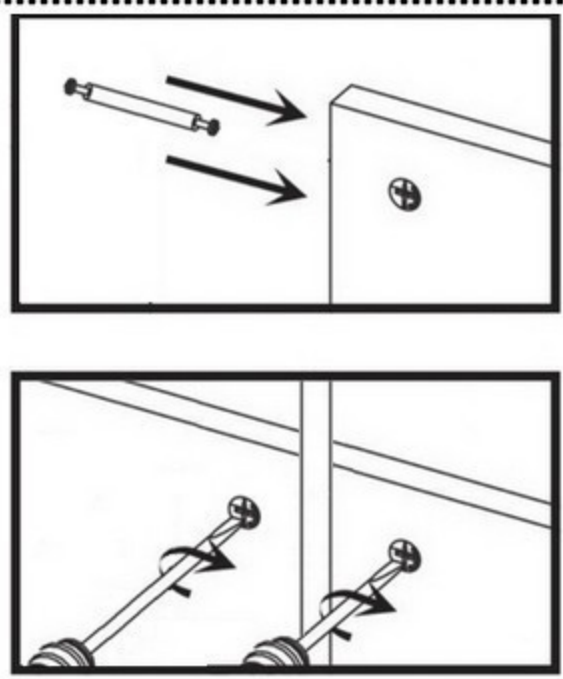
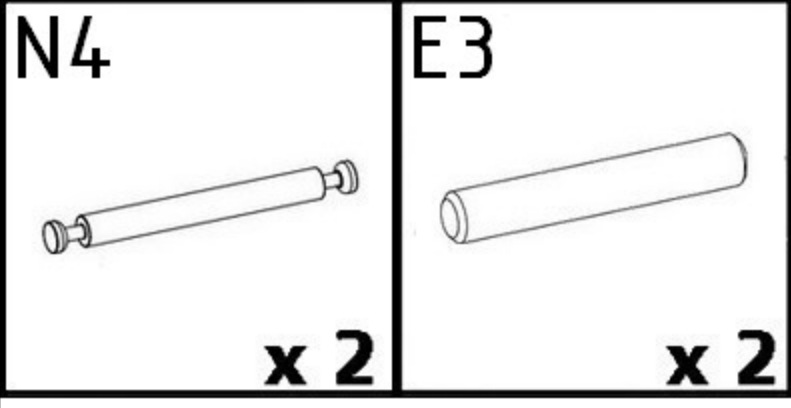
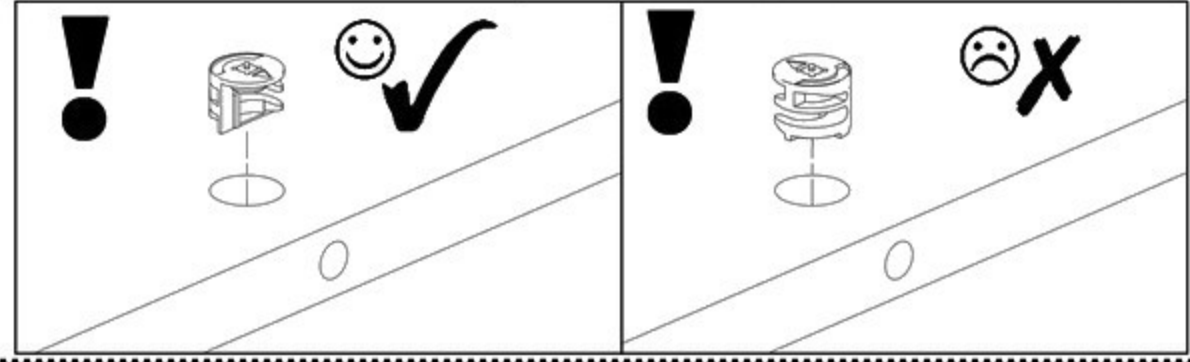
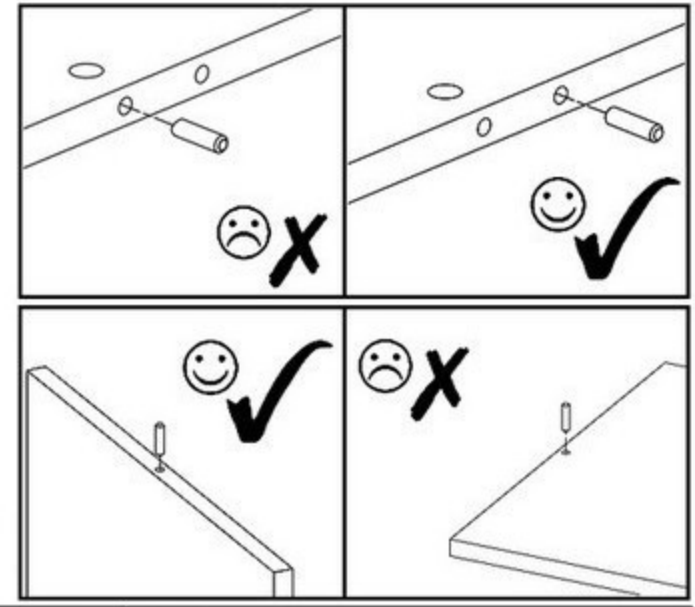
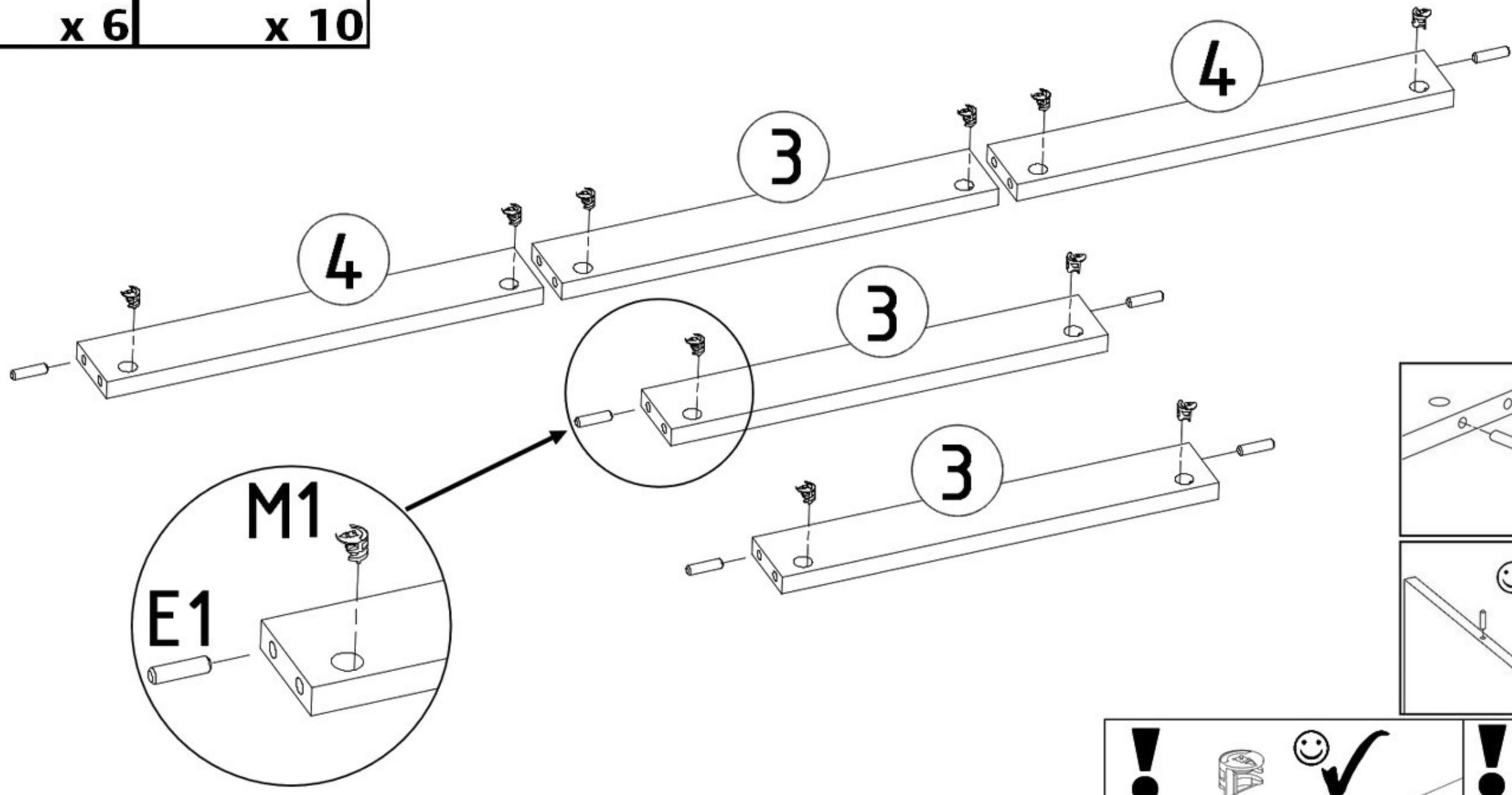
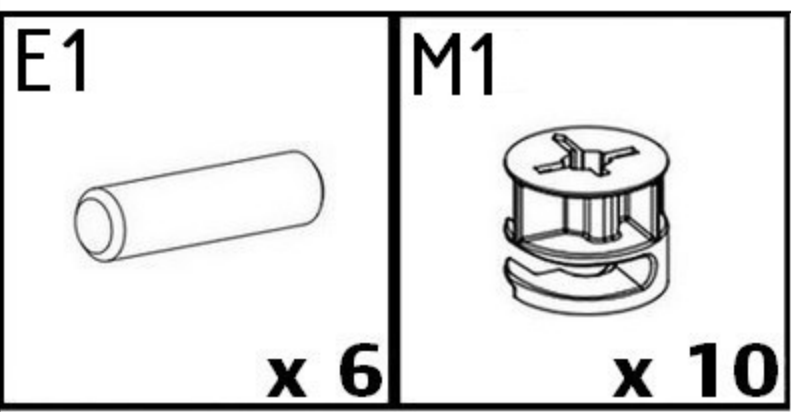


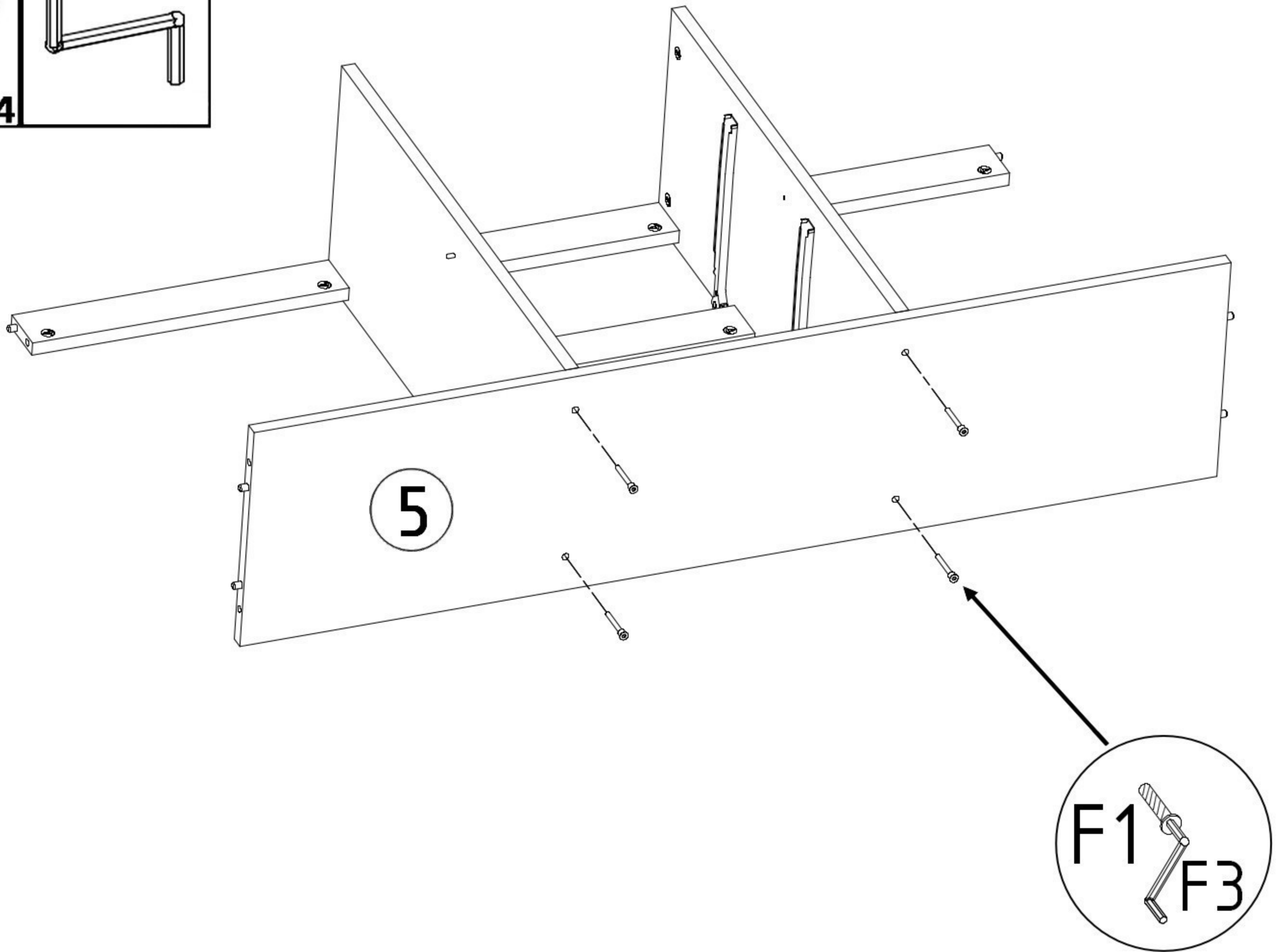
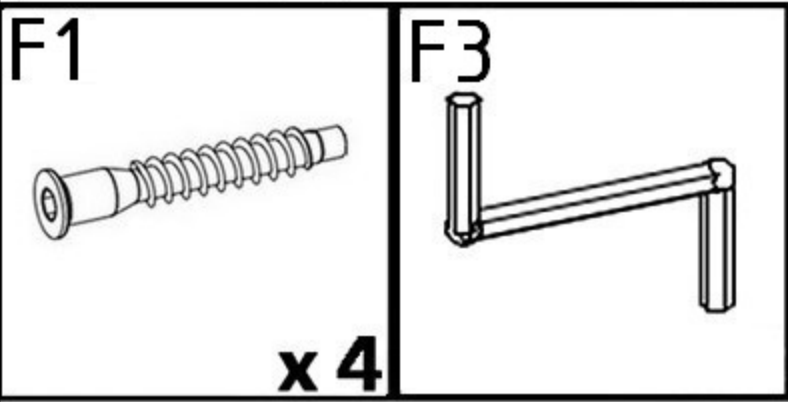
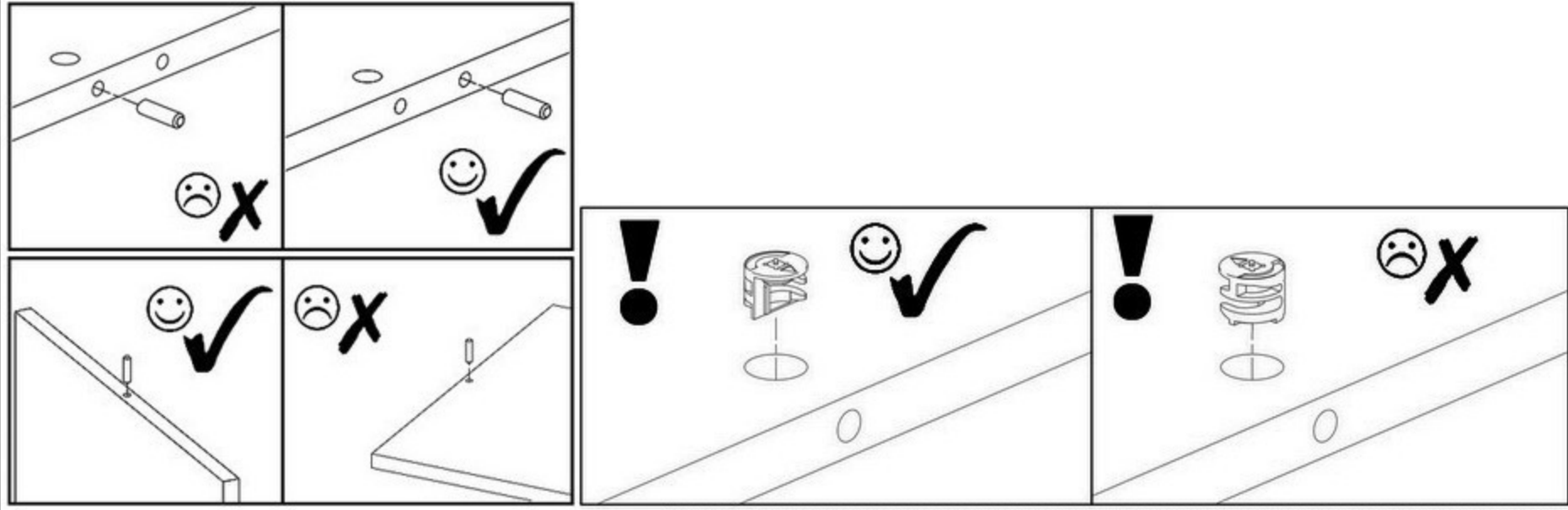
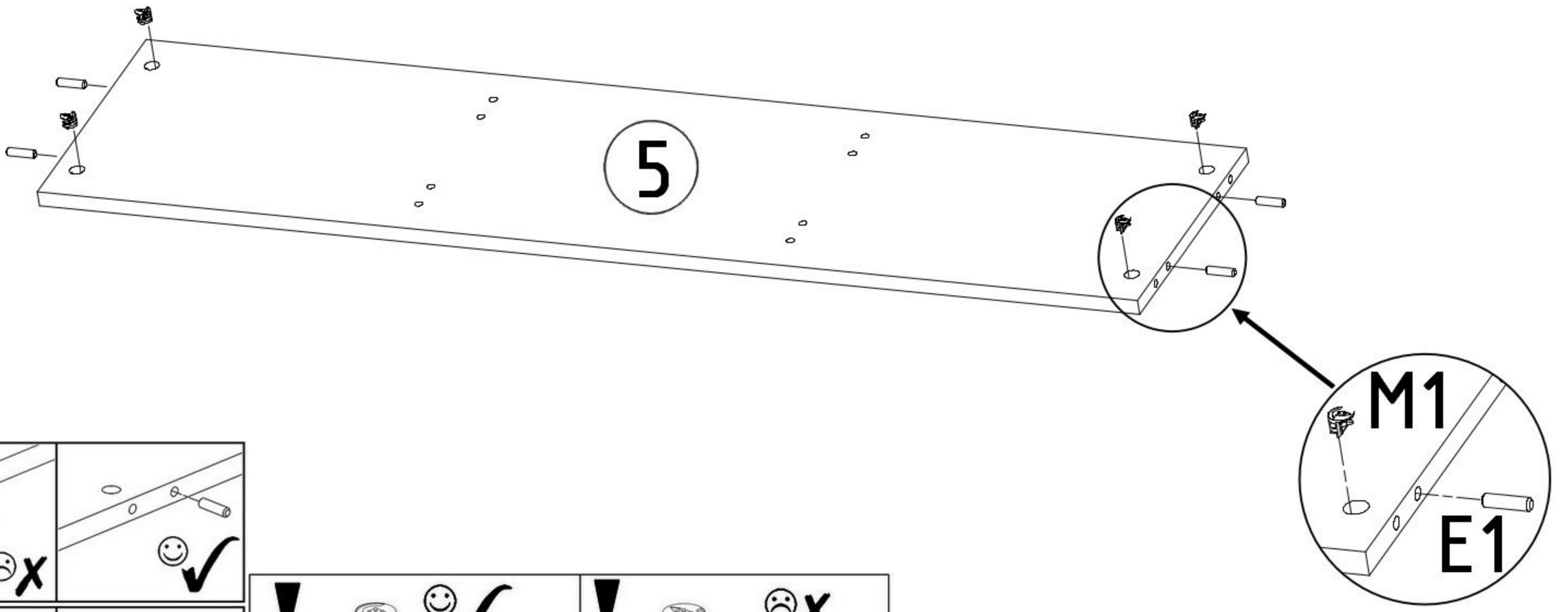
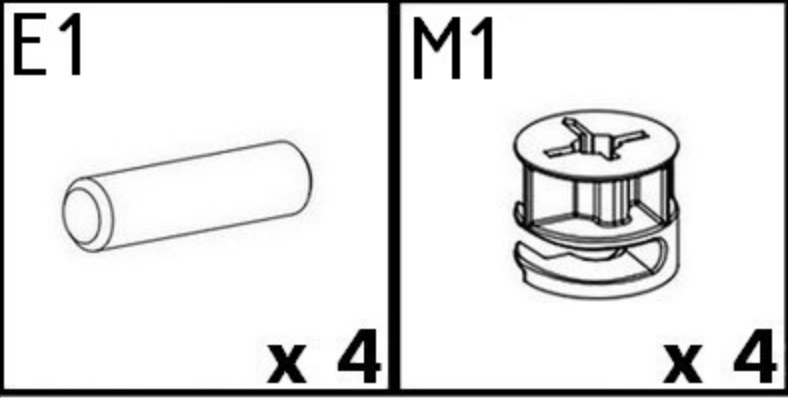
- N1  x 2
- M1  x 2
- P3  x 3
- R1  x 6
- E1  x 4



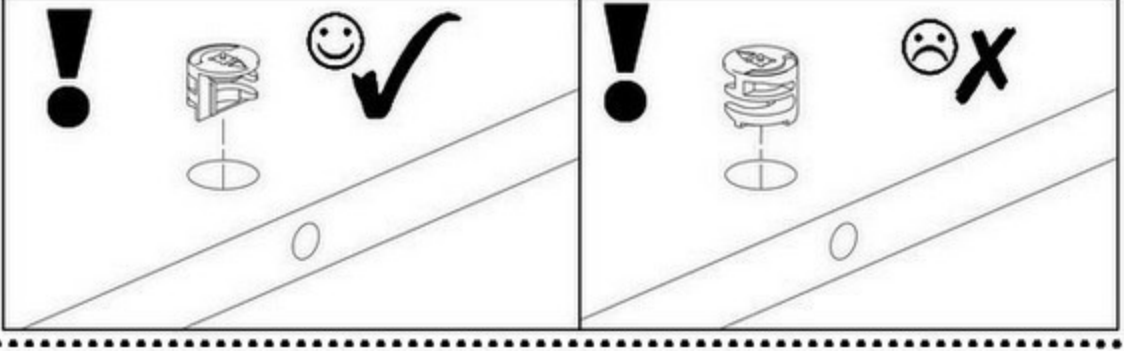
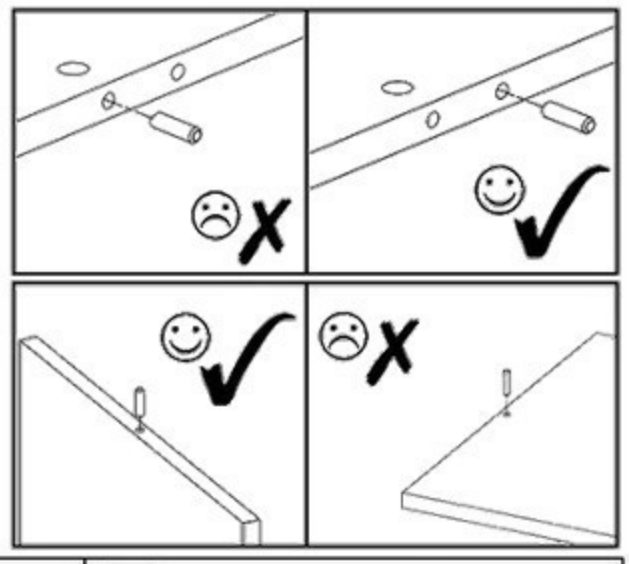
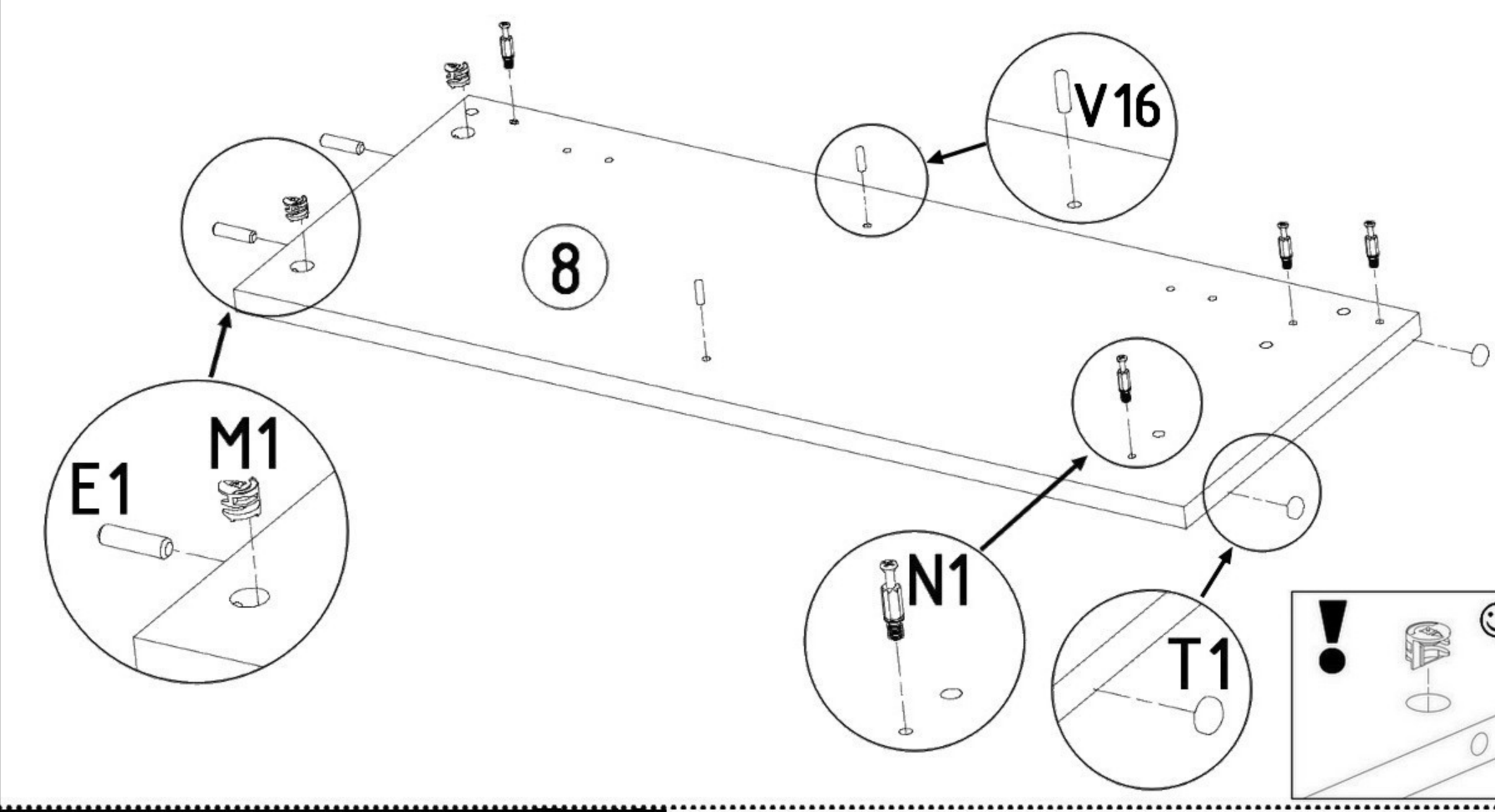
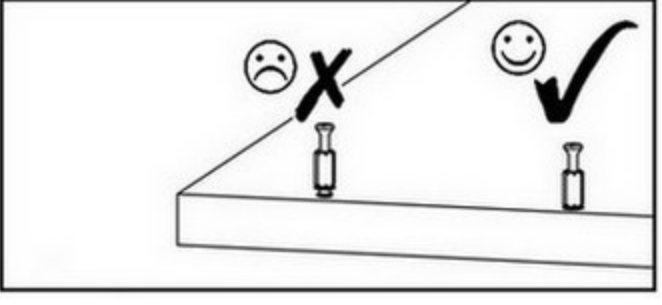
- V16  x 2





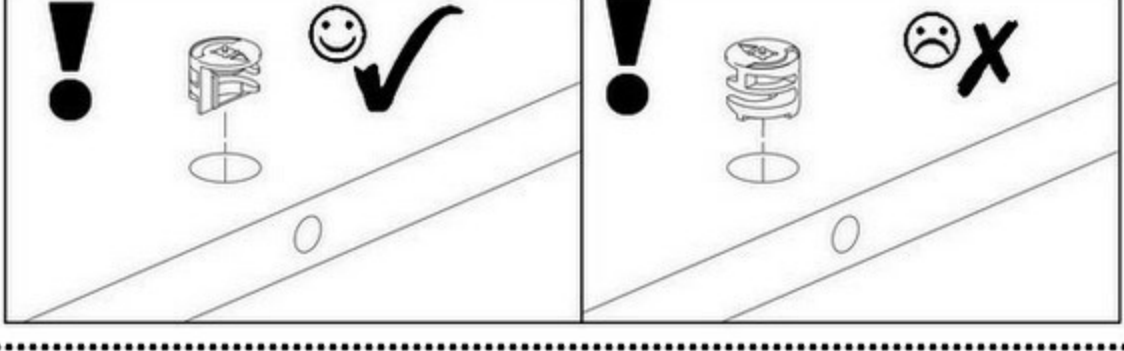
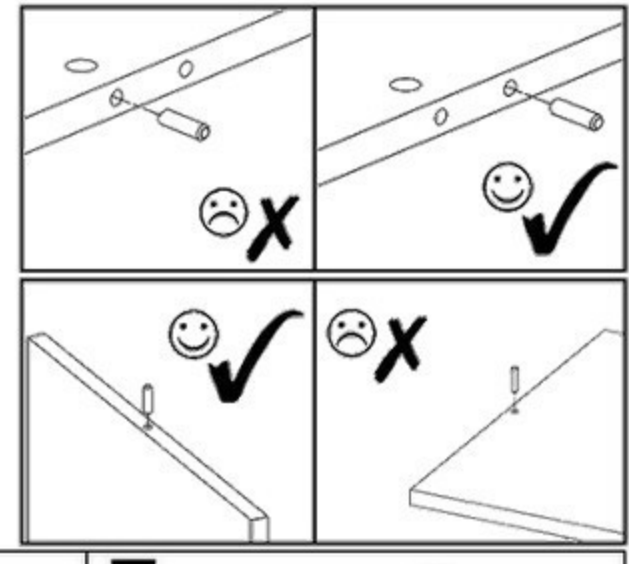
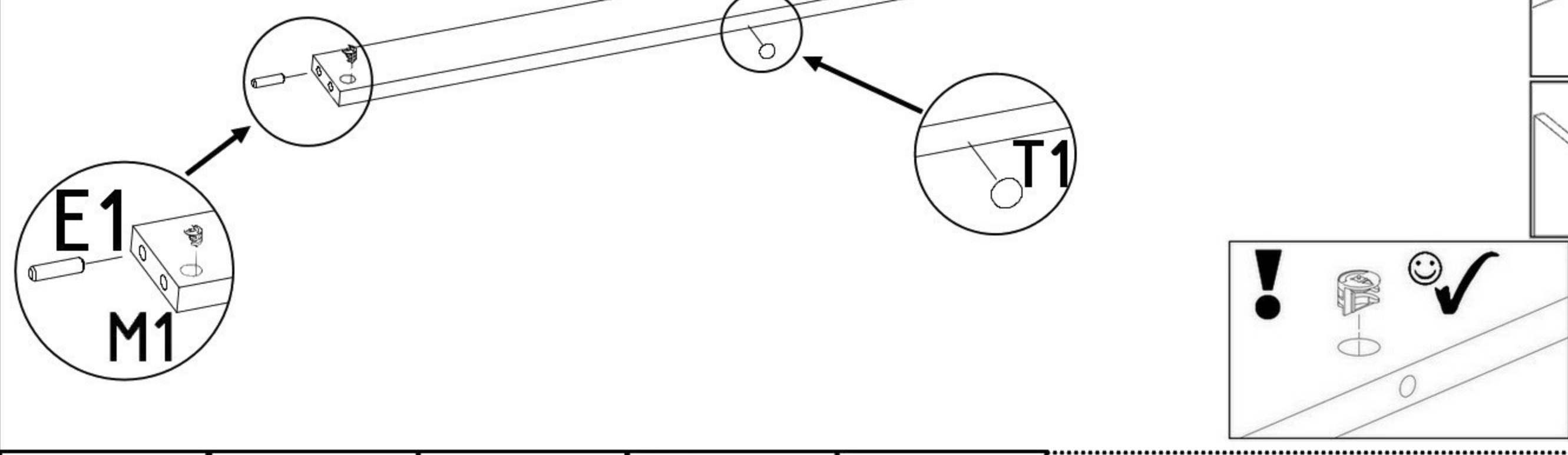


- N1 x 4
- M1 x 2
- E1 x 2
- V16 x 2
- T1 x 2



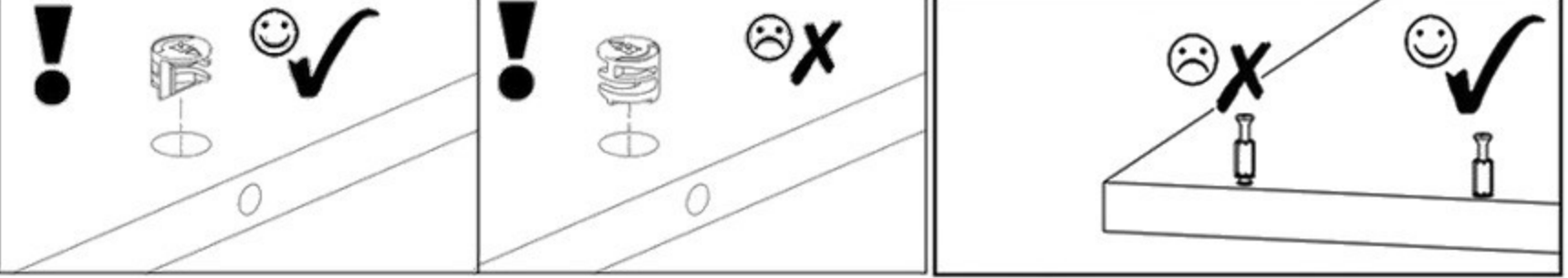
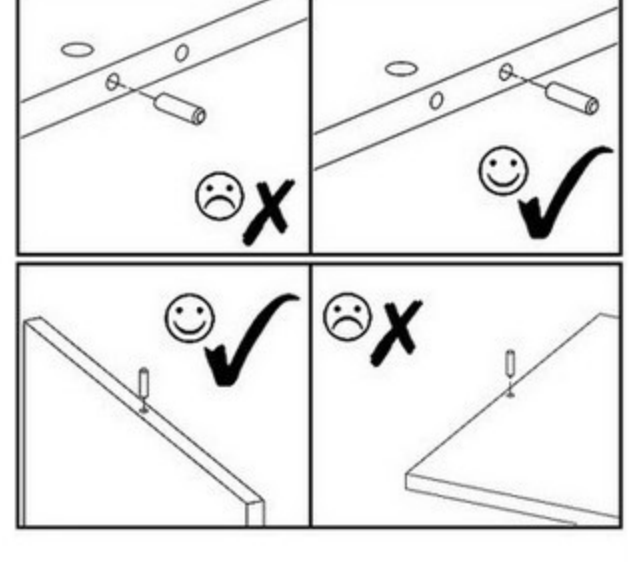
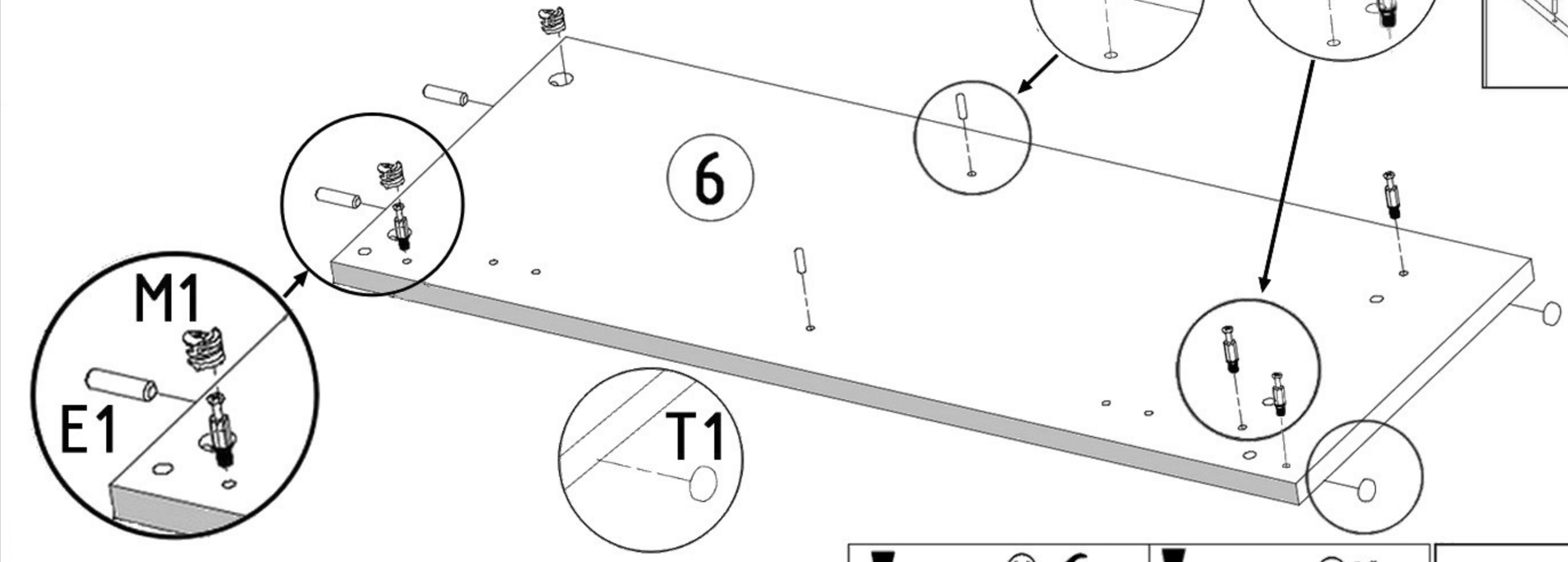
- T1 x 2
- E1 x 2
- M1 x 2

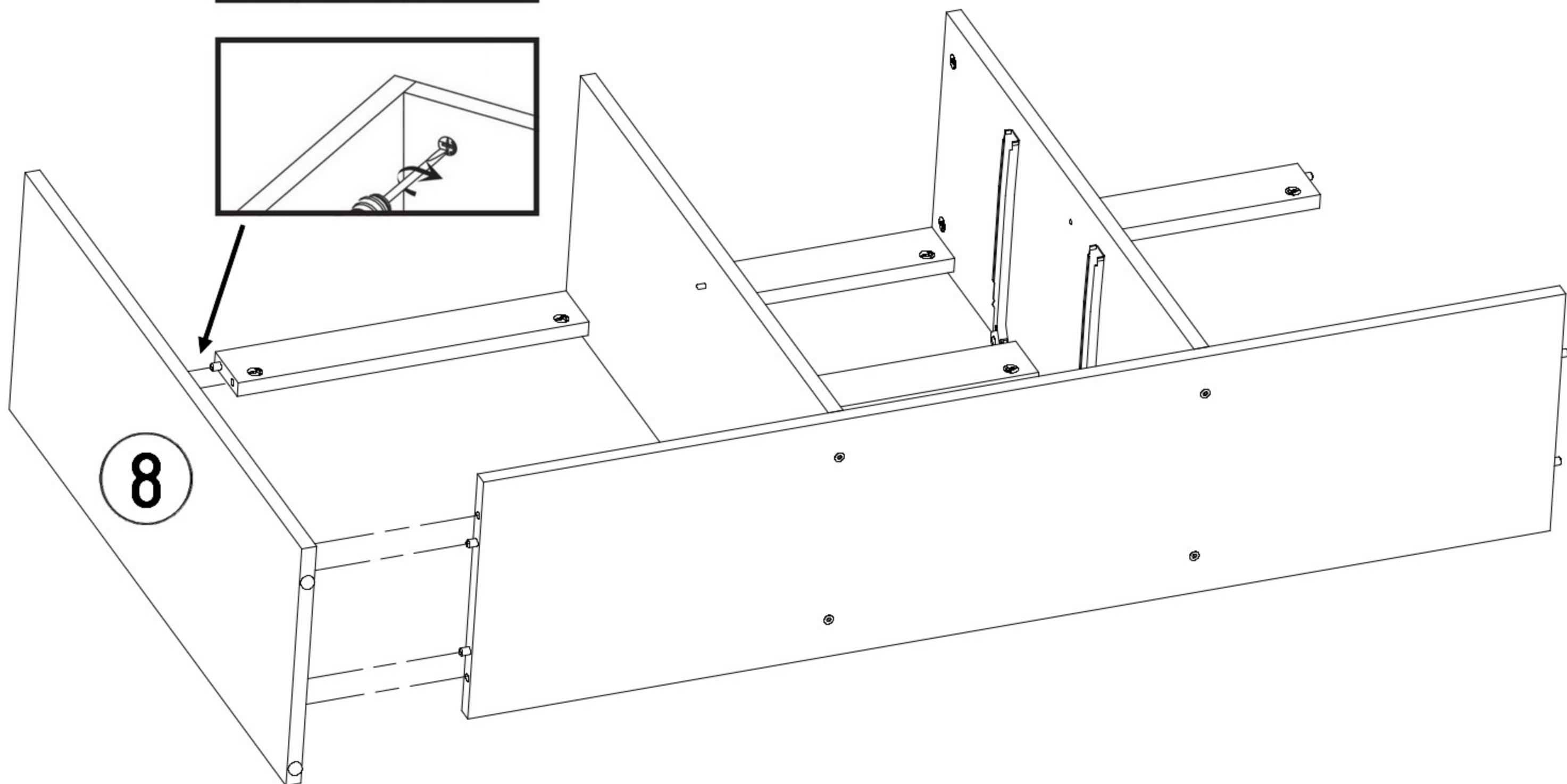
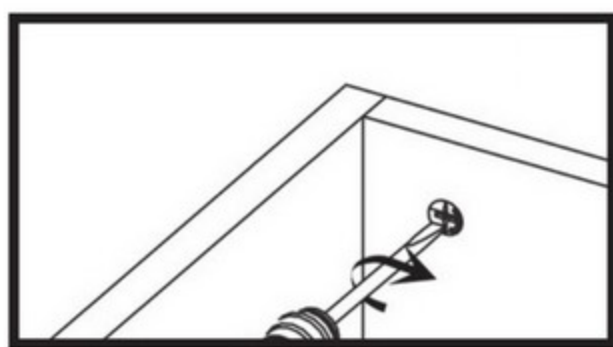
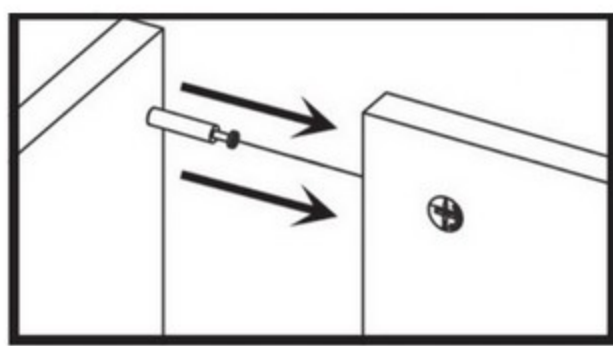
7



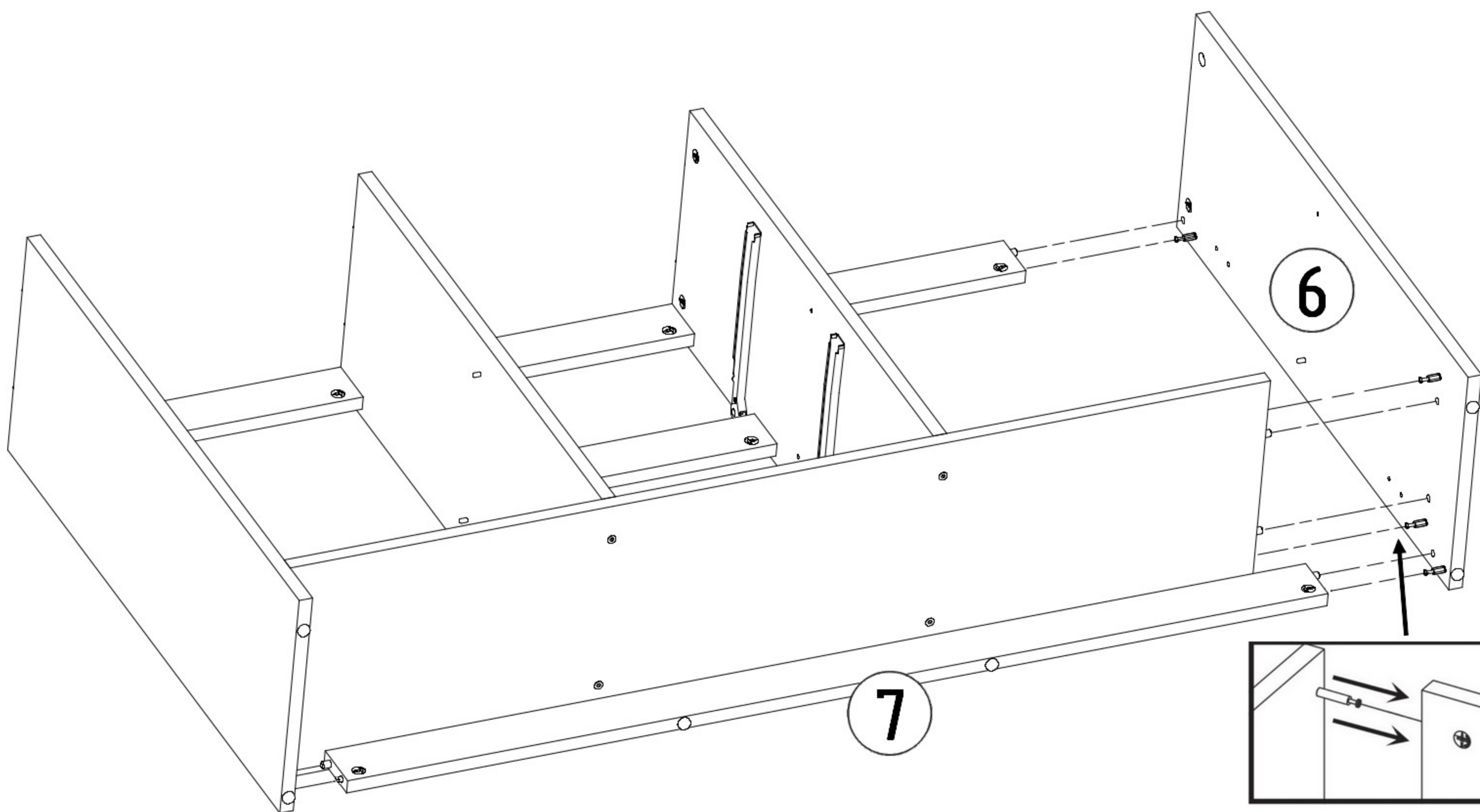
- N1 x 4
- M1 x 2
- E1 x 2
- V16 x 2
- T1 x 2

6



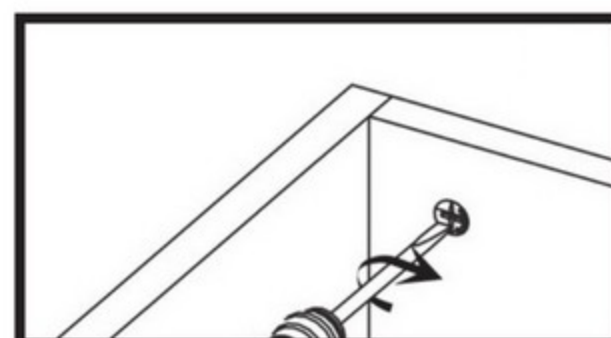
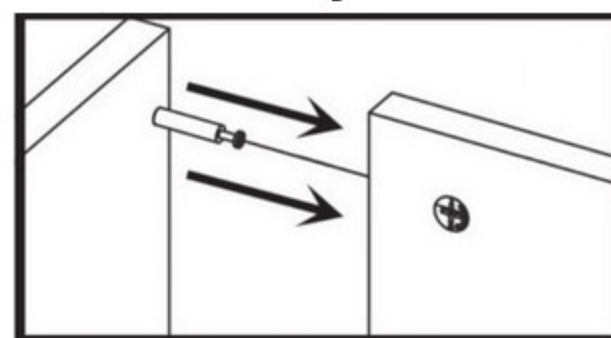


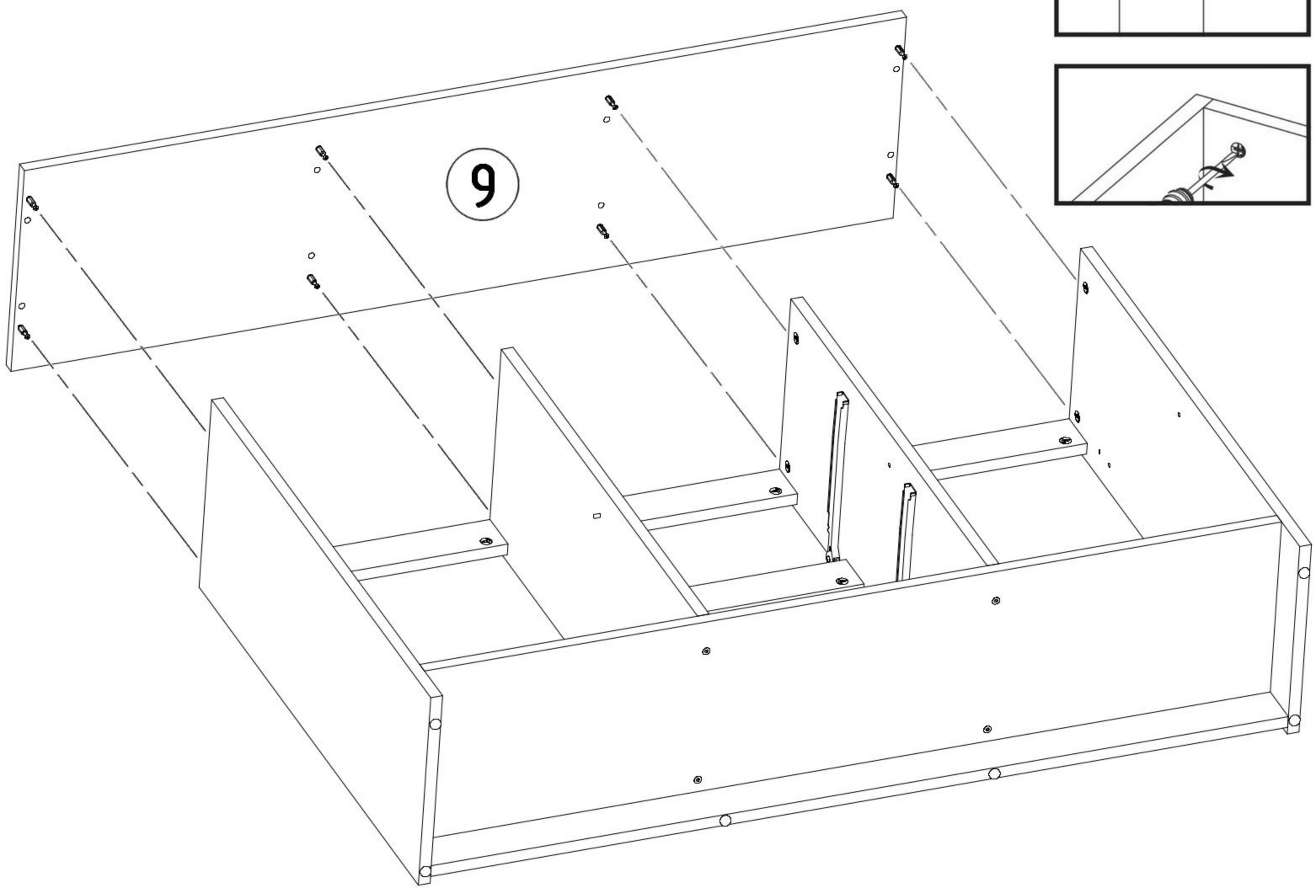
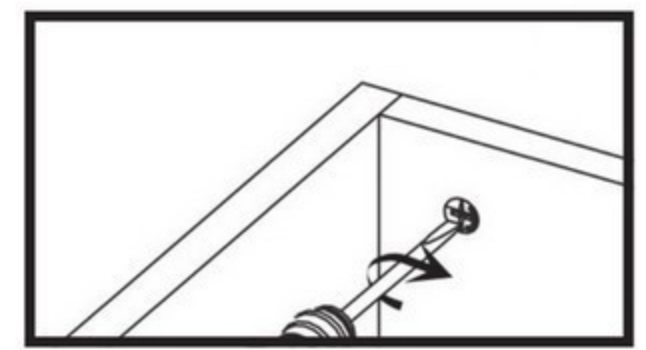
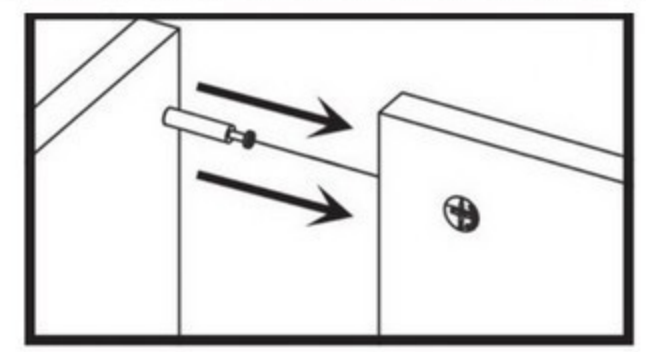
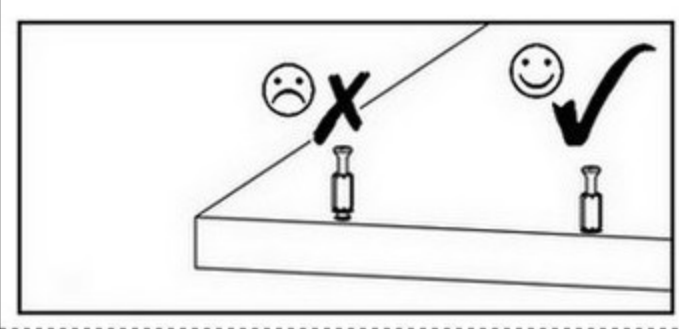
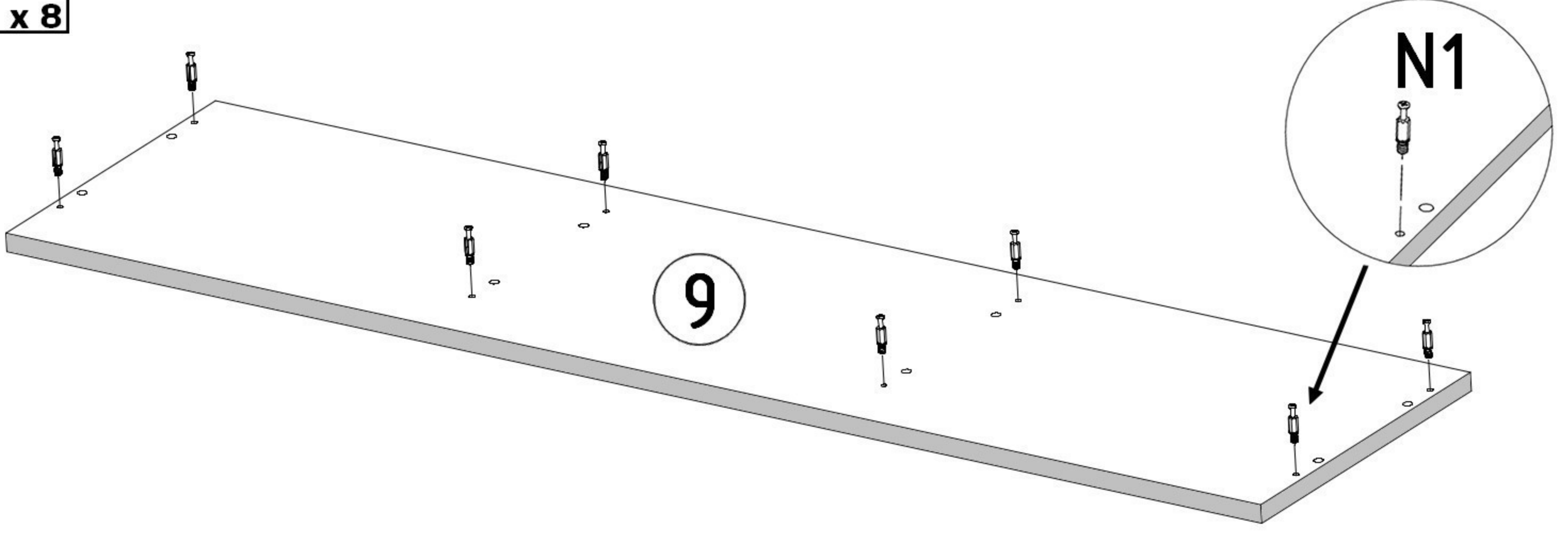
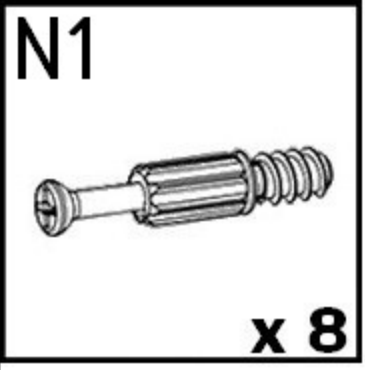
8

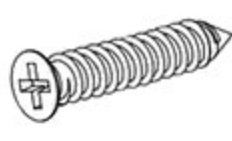



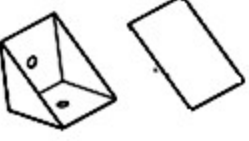


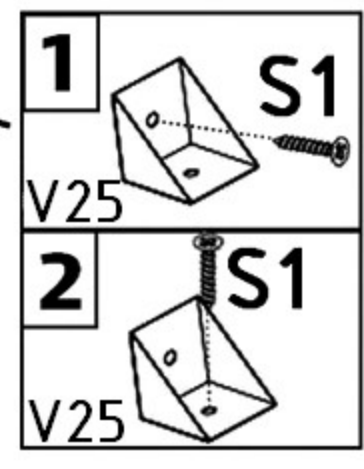
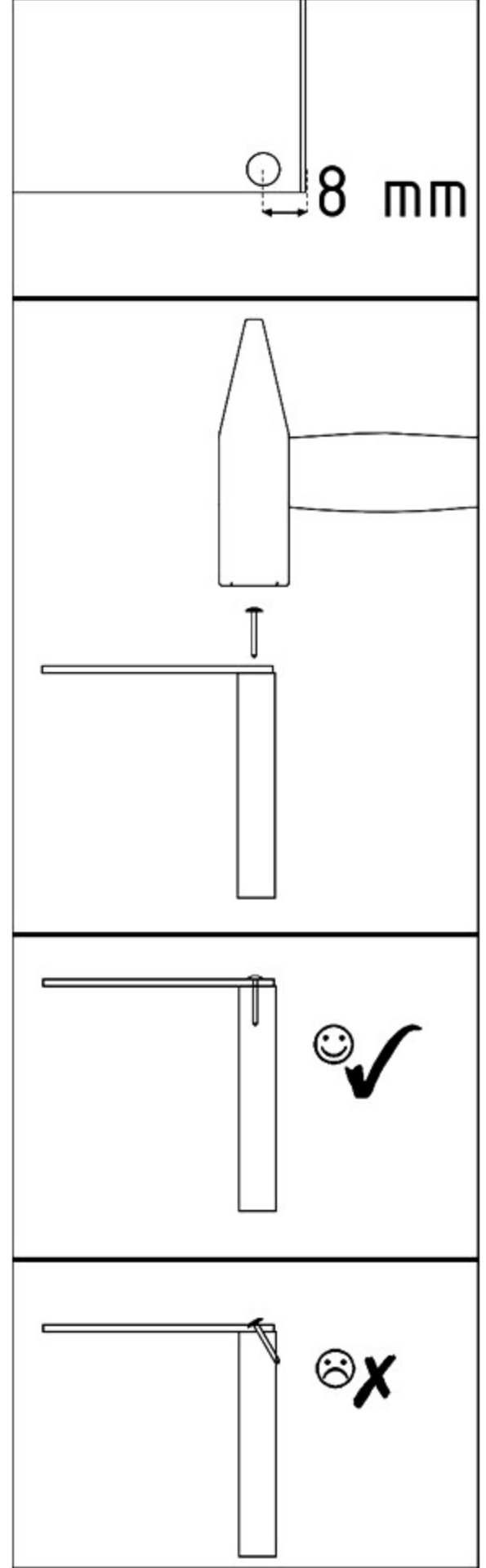
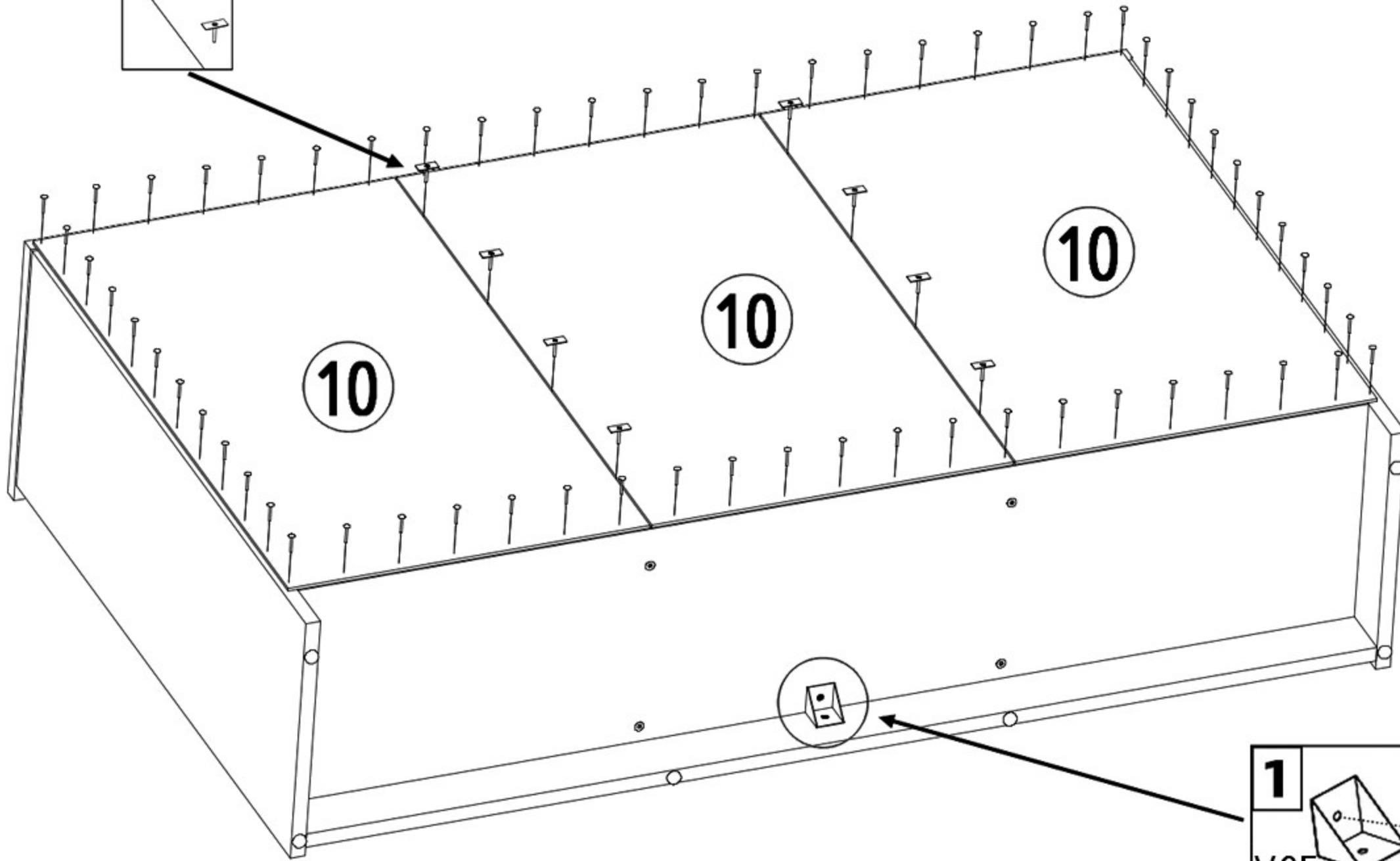
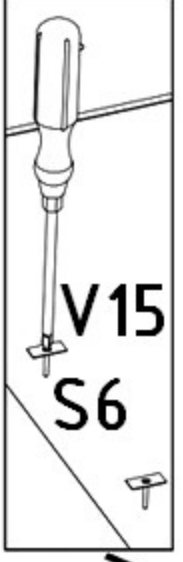
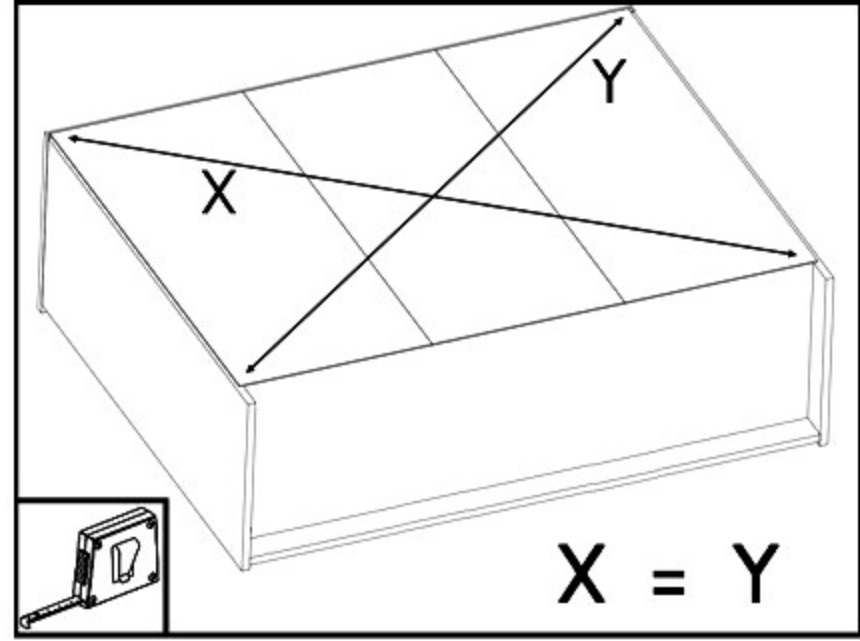
6

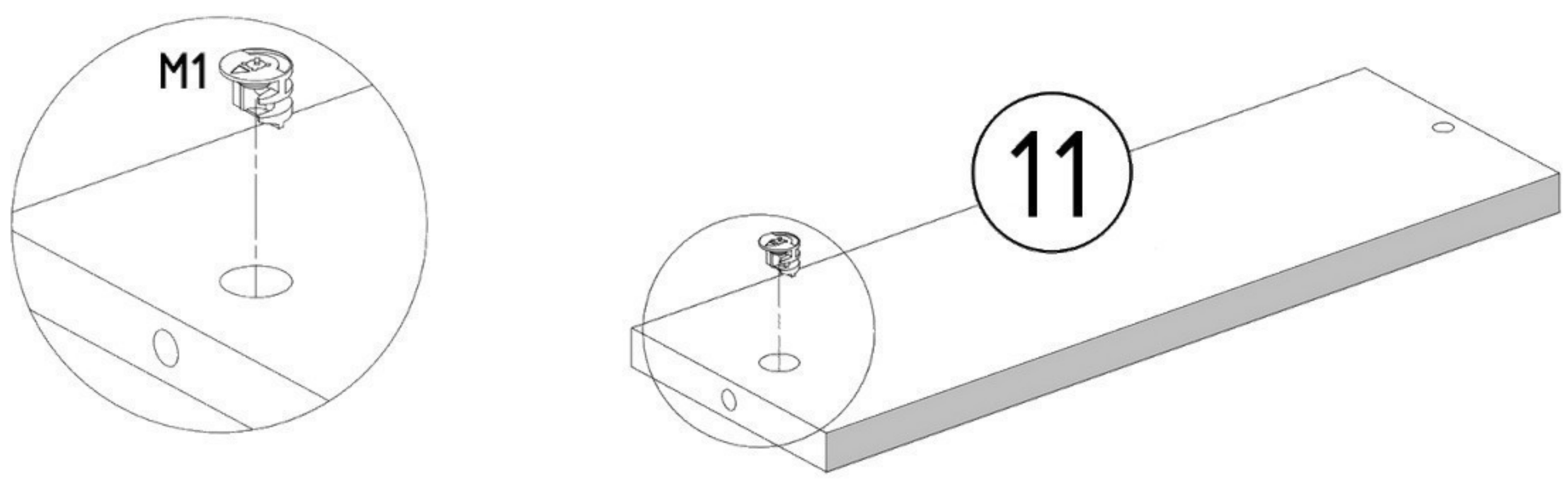
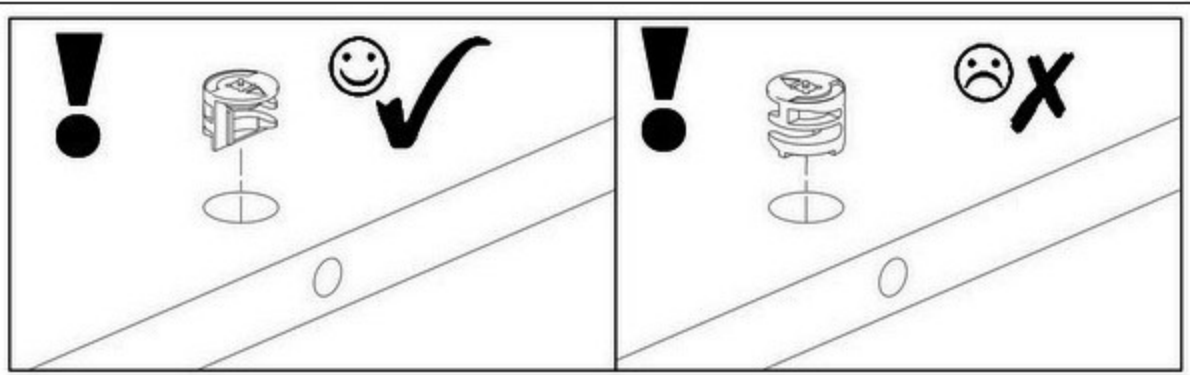
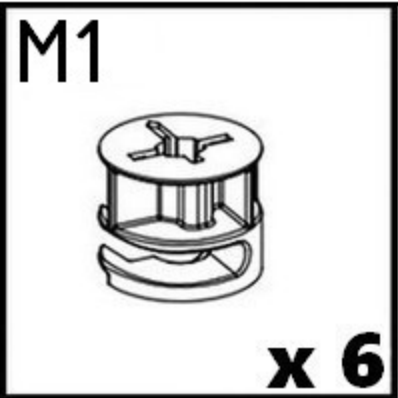
7



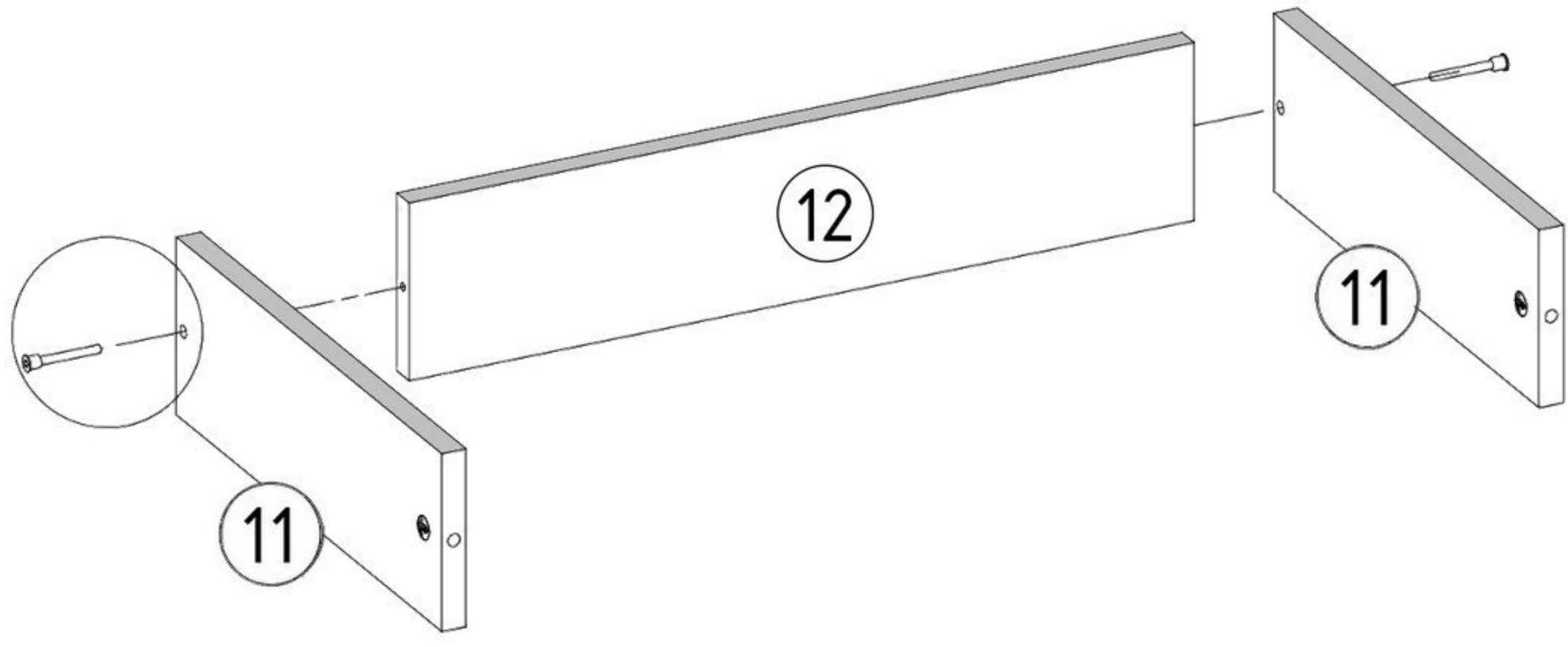
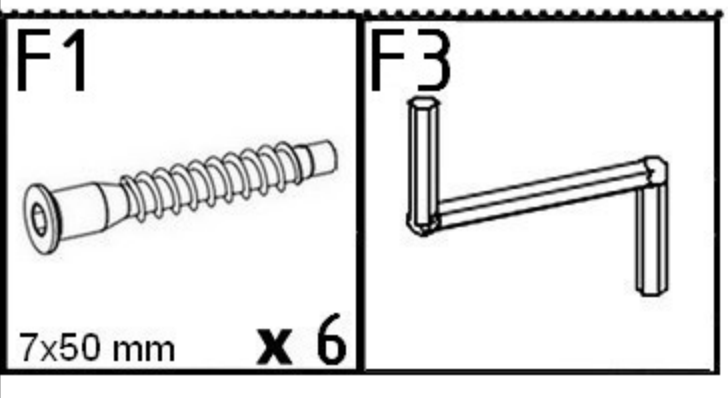


<p>S6</p>  <p>x 8</p>	<p>V15</p>  <p>x 8</p>	<p>Z1</p>  <p>x 55</p>	<p>S1</p>  <p>x 2</p>	<p>V25</p>  <p>x 1</p>
---	---	---	--	--

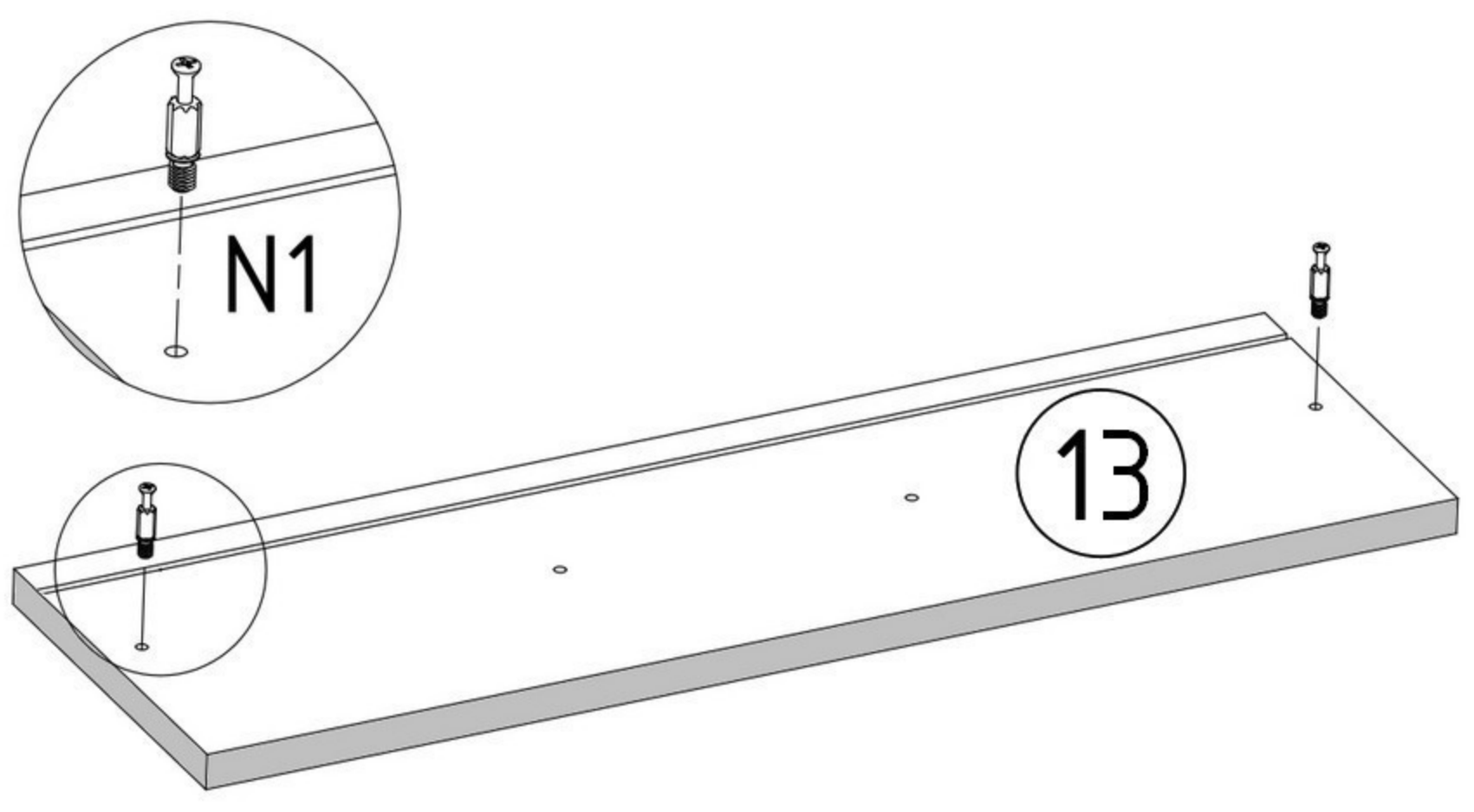
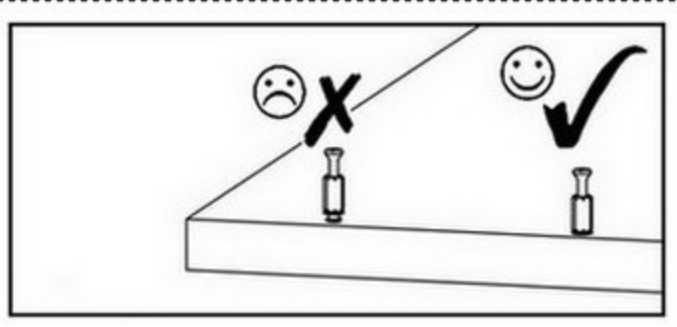
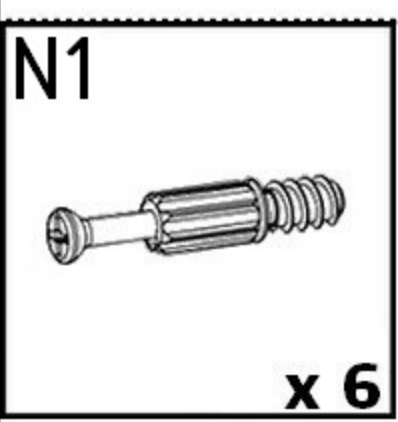




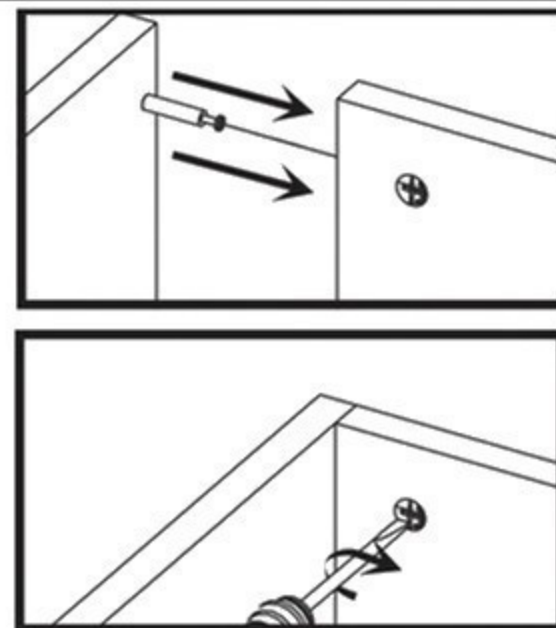
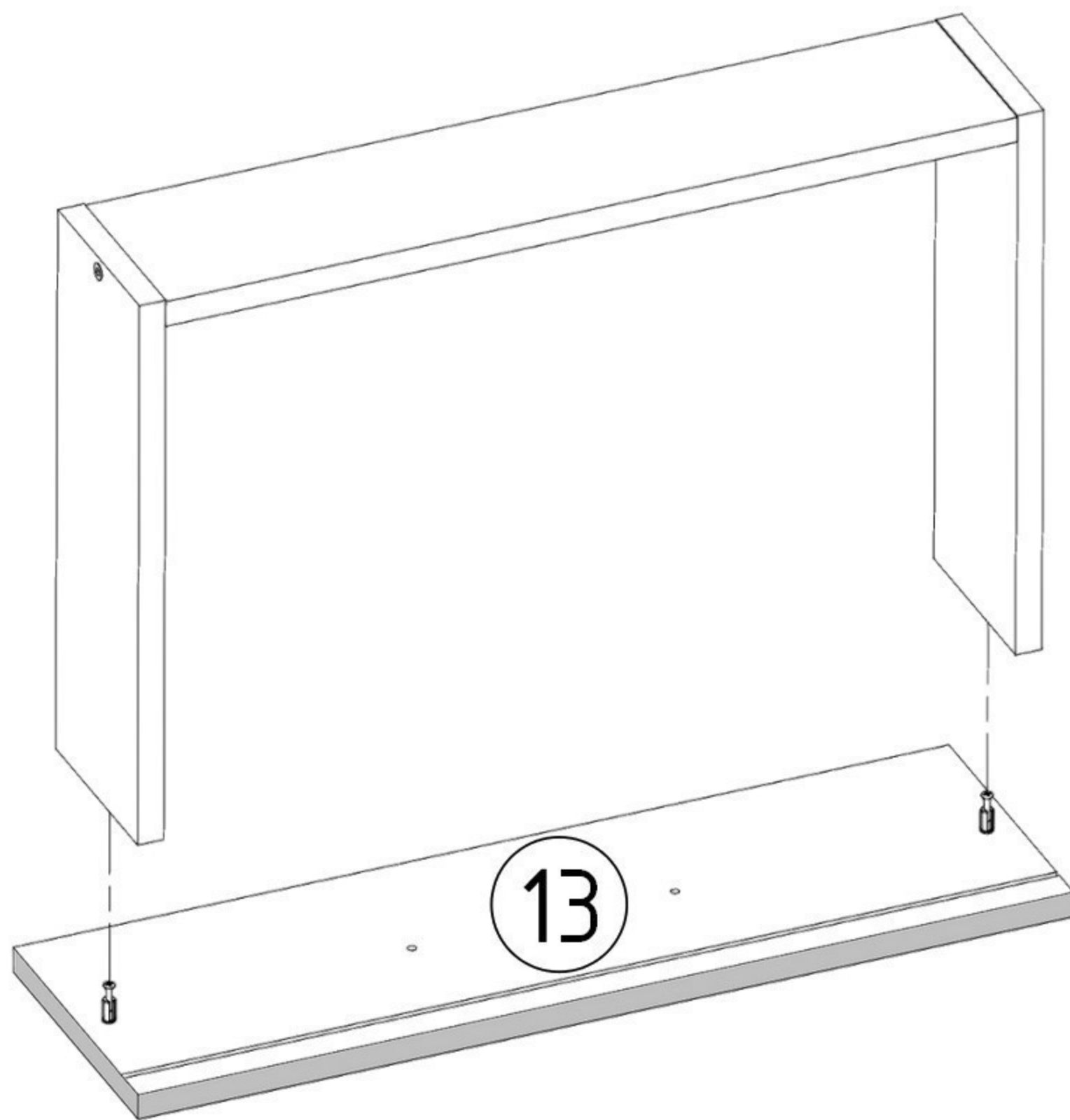
x 6



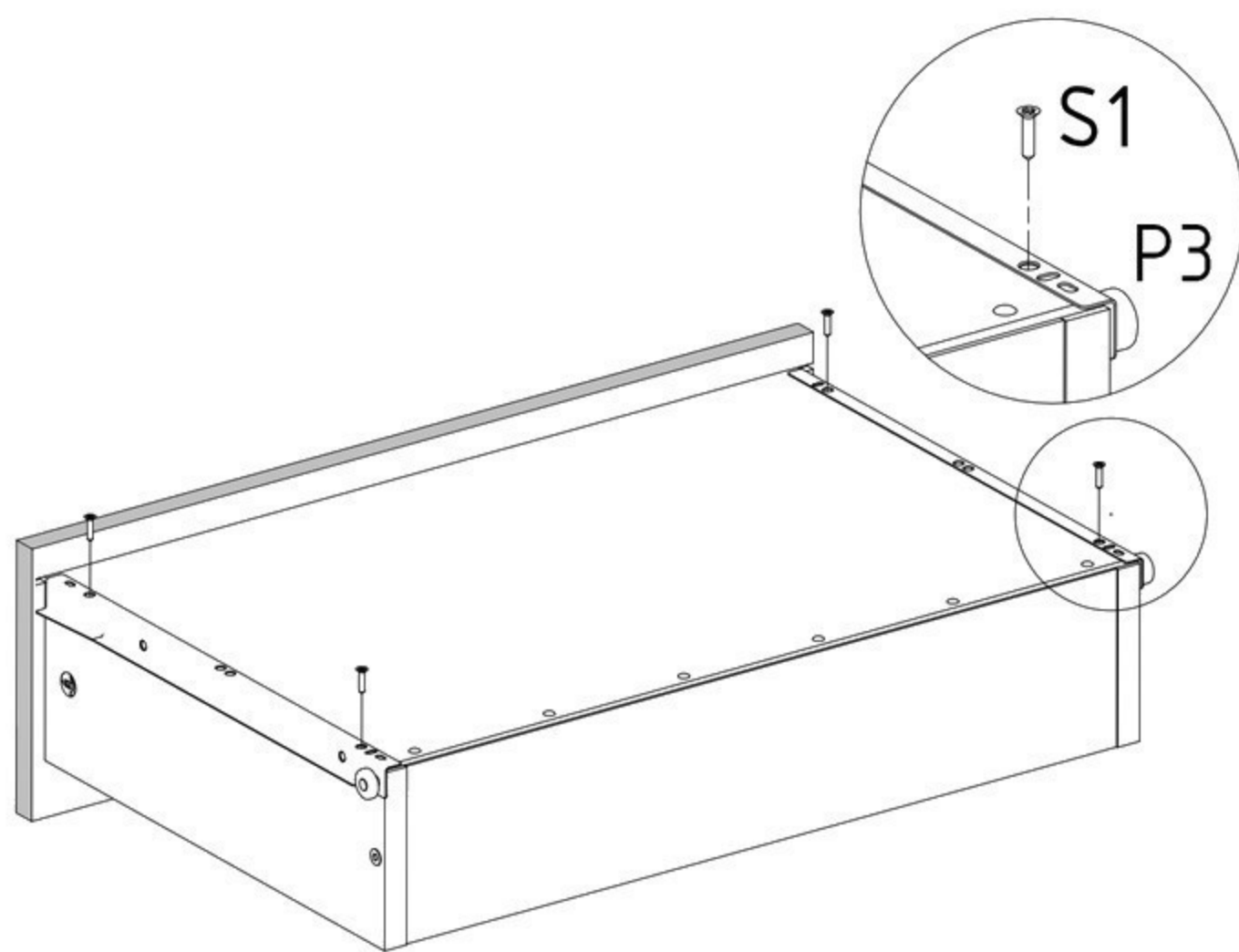
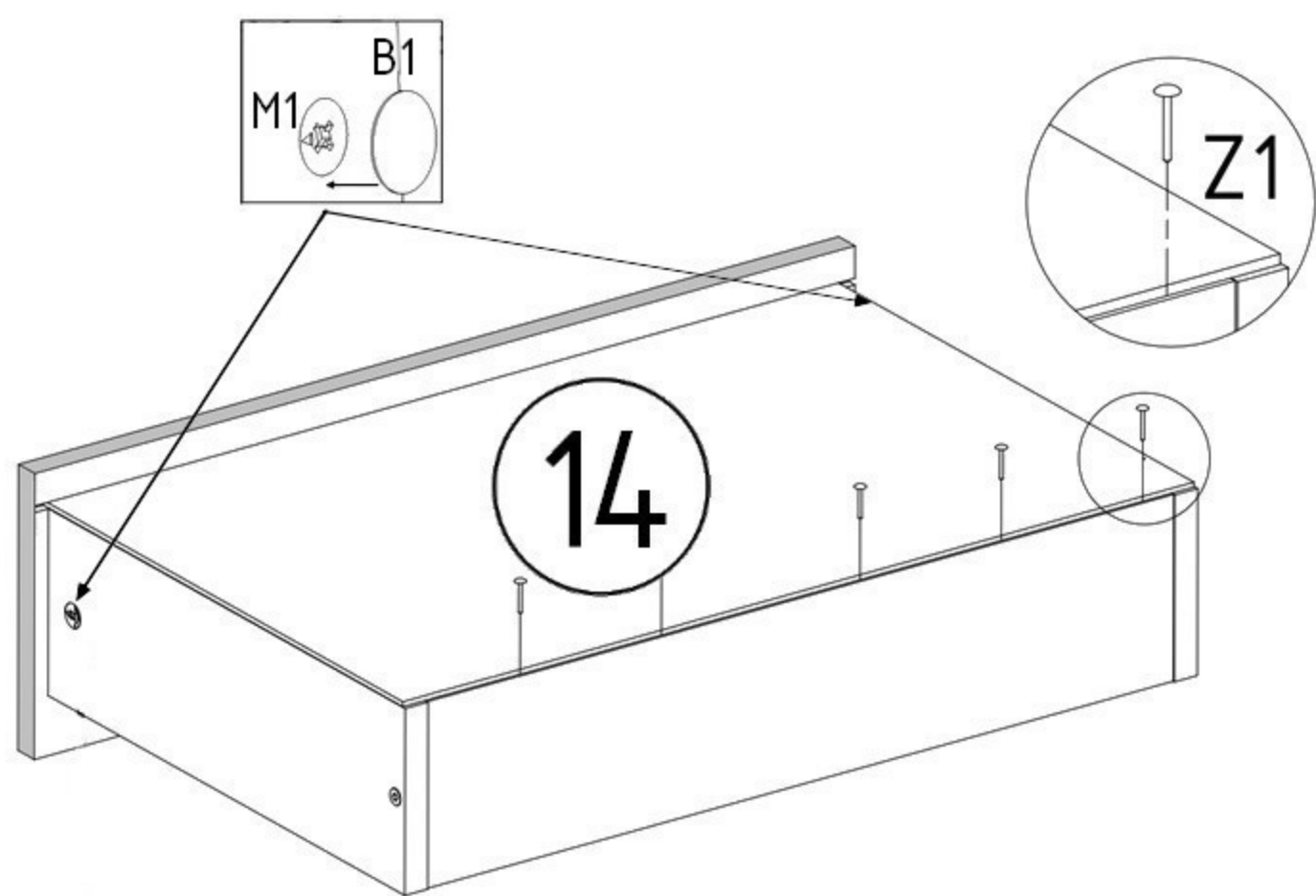
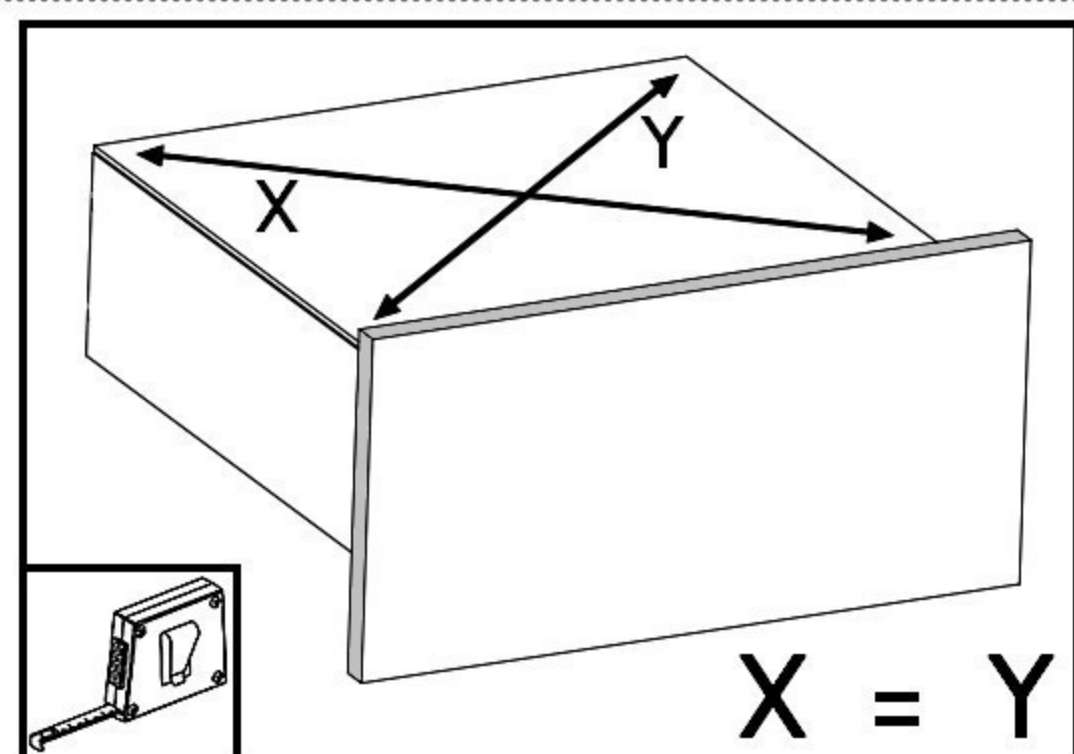
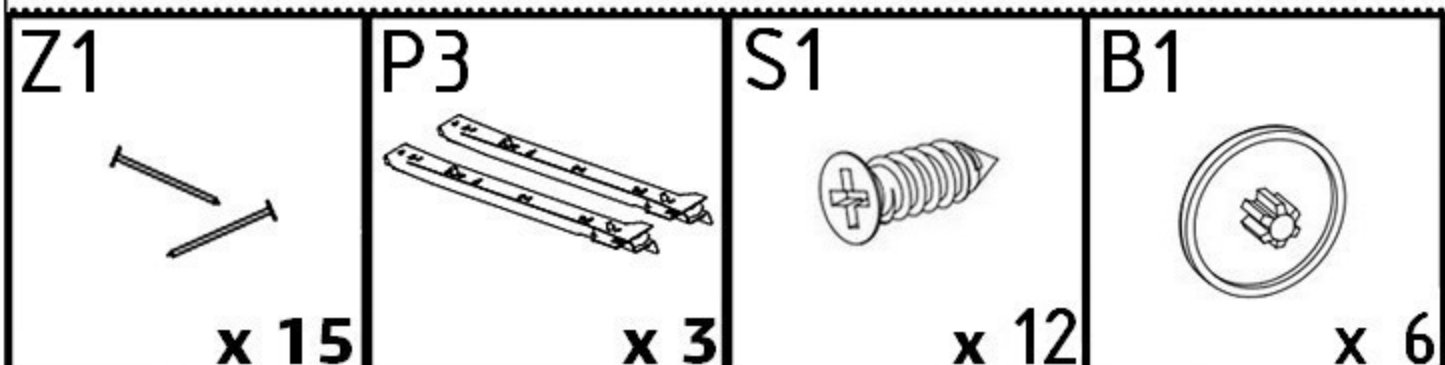
x3



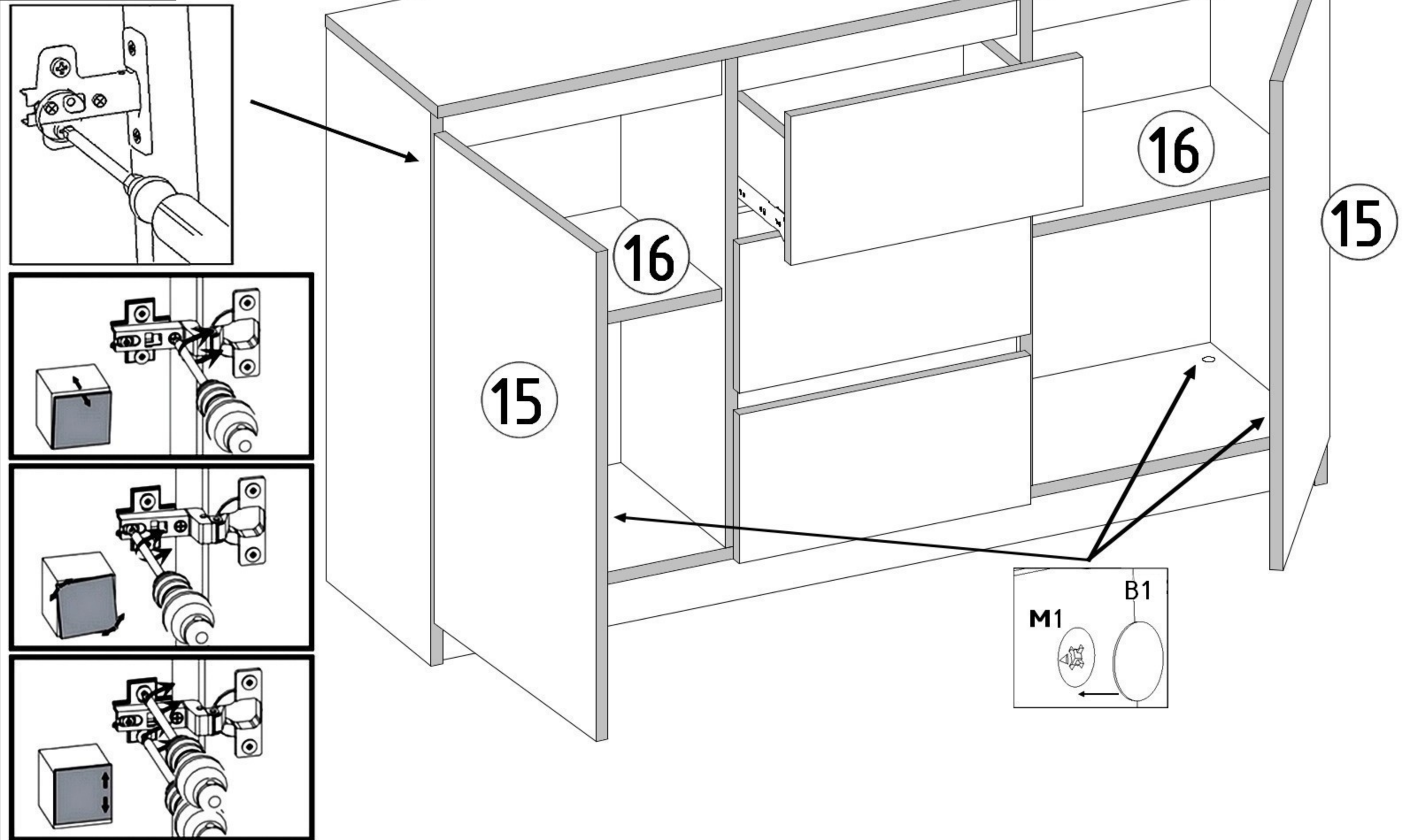
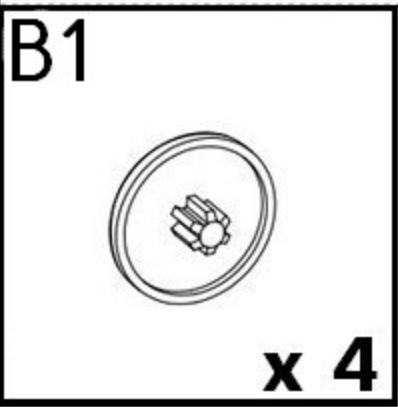
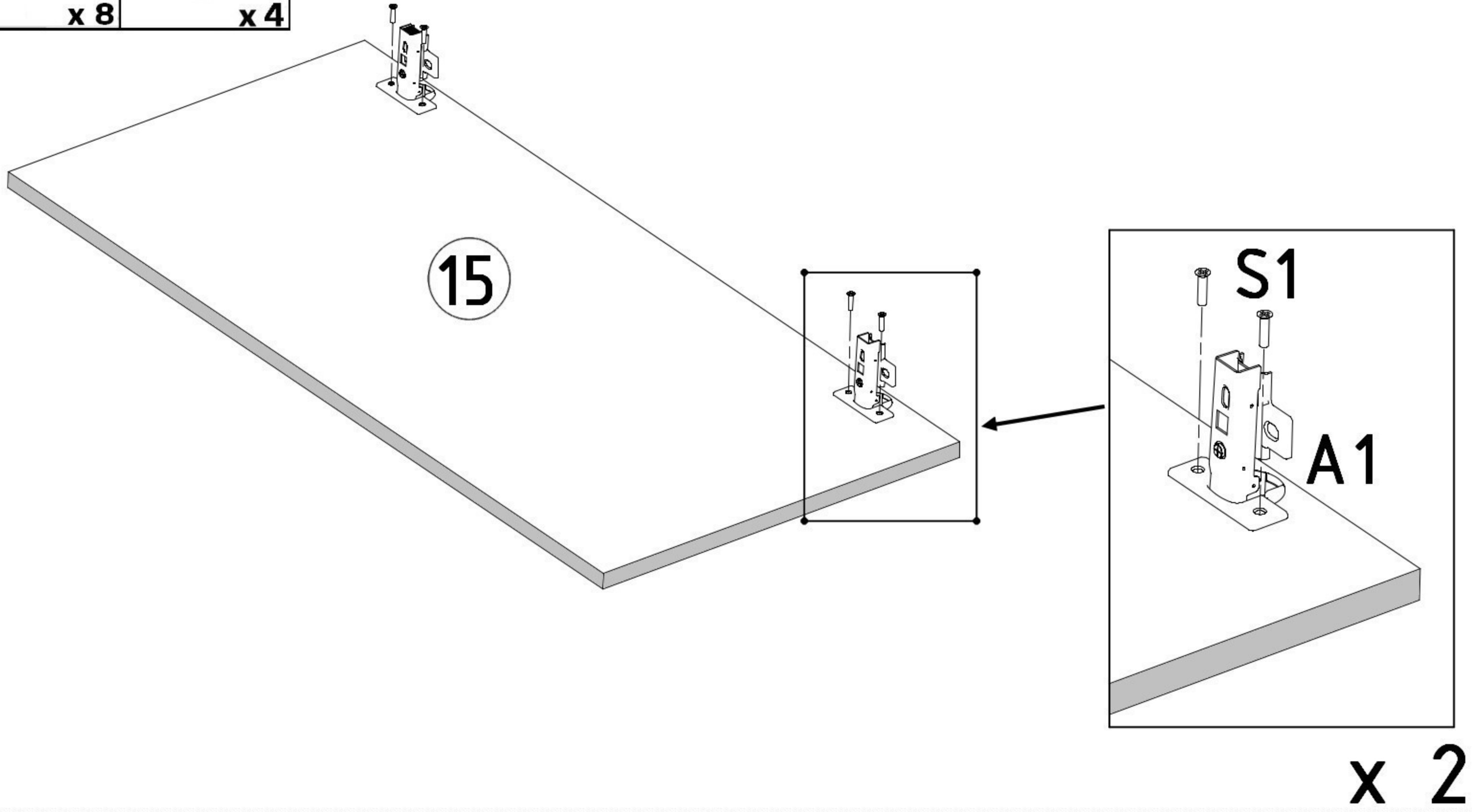
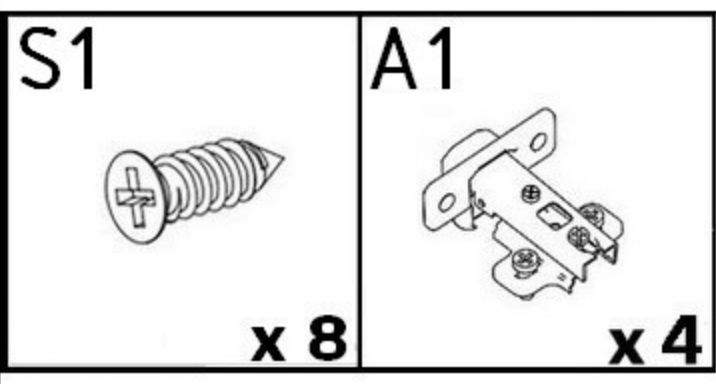
x 3



x 3



x 3



V13



x 1

