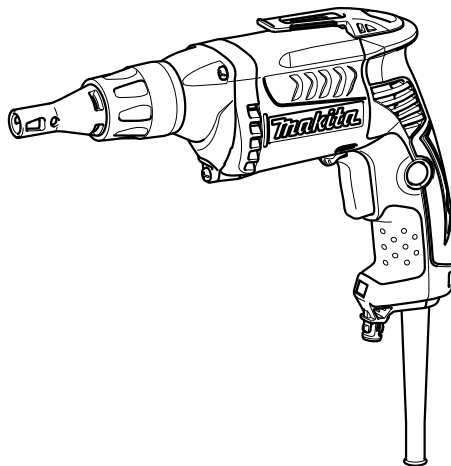




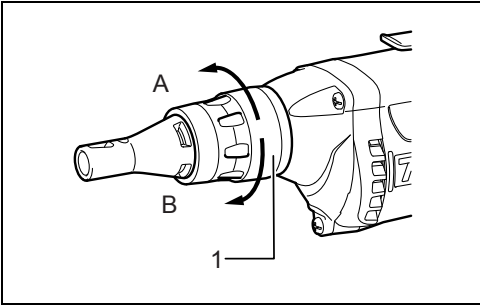
|           |                                    |                                |
|-----------|------------------------------------|--------------------------------|
| <b>GB</b> | <b>Drywall Screwdriver</b>         | <b>Instruction manual</b>      |
| <b>F</b>  | <b>Visseuse</b>                    | <b>Manuel d'instructions</b>   |
| <b>D</b>  | <b>Schrauber</b>                   | <b>Betriebsanleitung</b>       |
| <b>I</b>  | <b>Avvitatore per muri a secco</b> | <b>Istruzioni per l'uso</b>    |
| <b>NL</b> | <b>Gipsplaatschroefmachine</b>     | <b>Gebruiksaanwijzing</b>      |
| <b>E</b>  | <b>Atornillador para tablaroca</b> | <b>Manual de instrucciones</b> |
| <b>P</b>  | <b>Parafusadeira para gesso</b>    | <b>Manual de instruções</b>    |
| <b>DK</b> | <b>Gipsskruemaskine</b>            | <b>Brugsanvisning</b>          |
| <b>GR</b> | <b>Κατσαβίδι ξηρού τοίχου</b>      | <b>Οδηγίες χρήσης</b>          |

**FS4000**  
**FS4000X**  
**FS4200**  
**FS4300**  
**FS4300X**  
**FS6200**  
**FS6300**  
**FS6300R**  
**FS6300X**



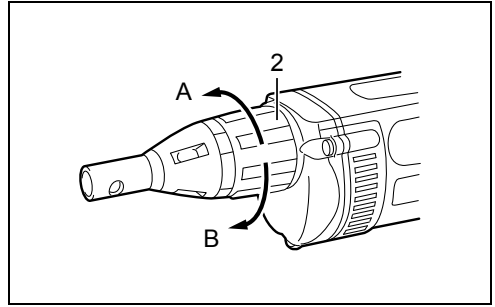
009959





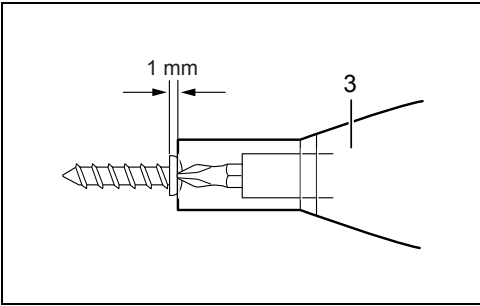
1

009960



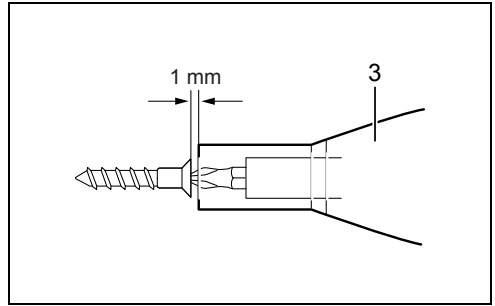
2

002612



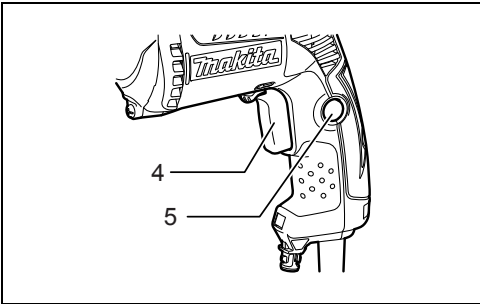
3

004149



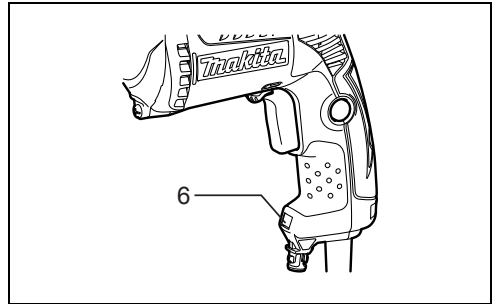
4

004154



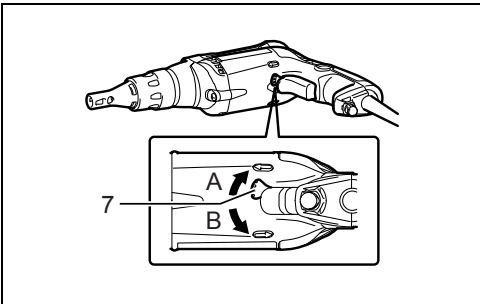
5

009961



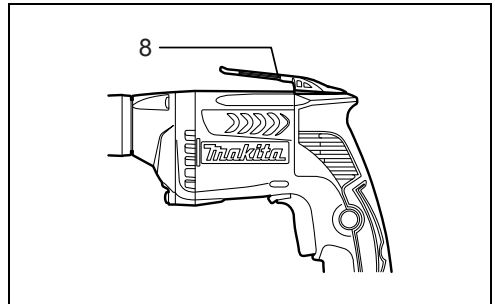
6

009967



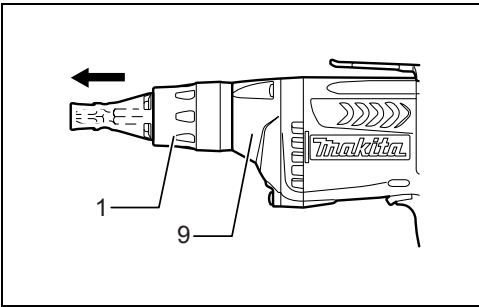
7

009962



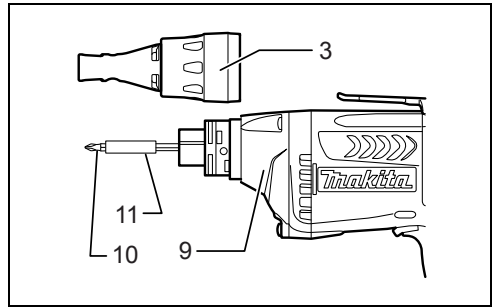
8

009963



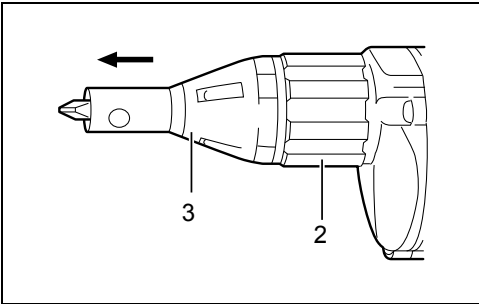
9

009964



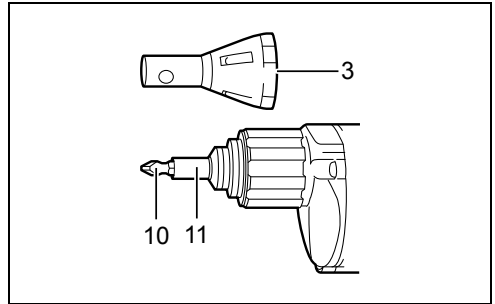
10

010095



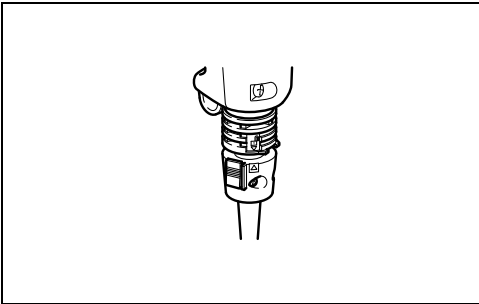
11

002653



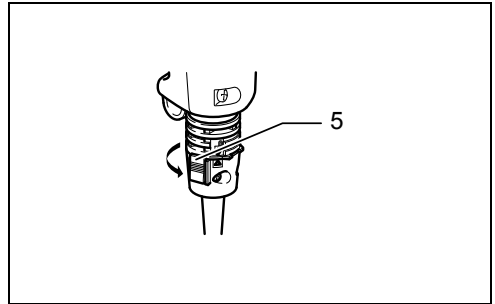
12

002661



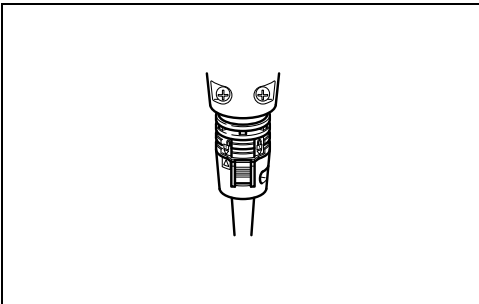
13

004178



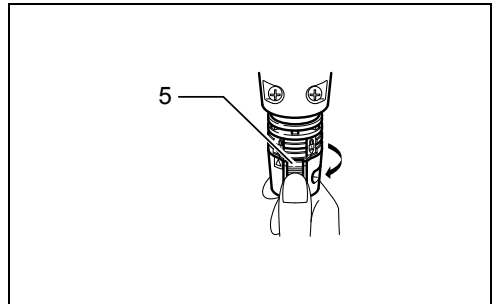
14

004179



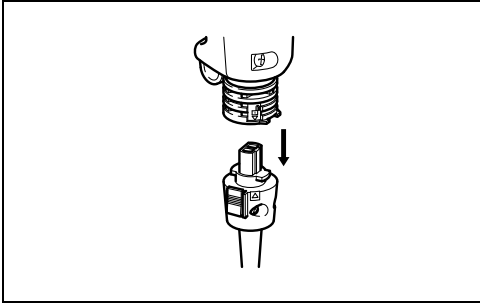
15

004180



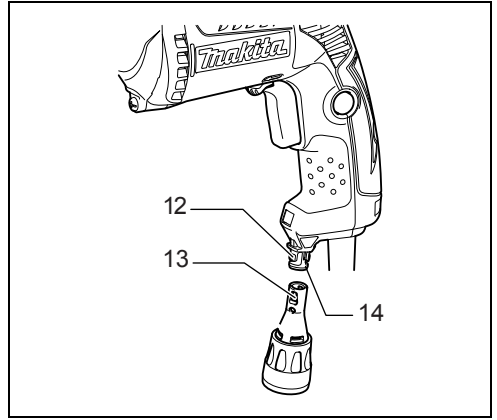
16

004181



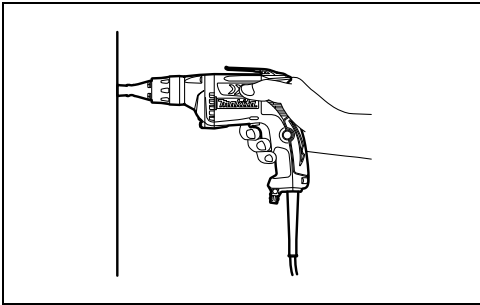
**17**

004182



**18**

009971



**19**

009966

## ENGLISH (Original instructions)

### Explanation of general view

- |                   |                           |                         |
|-------------------|---------------------------|-------------------------|
| 1. Lock ring      | 6. Lamp                   | 11. Magnetic bit holder |
| 2. Locking sleeve | 7. Reversing switch lever | 12. Swells              |
| 3. Locator        | 8. Hook                   | 13. Trapezoidal holes   |
| 4. Switch trigger | 9. Gear housing           | 14. Locator holder      |
| 5. Lock button    | 10. Bit                   |                         |

## SPECIFICATIONS

| Model                              | FS4000              | FS4000X | FS4200 | FS4300 | FS4300X | FS6200    | FS6300 | FS6300R | FS6300X |
|------------------------------------|---------------------|---------|--------|--------|---------|-----------|--------|---------|---------|
| Capacities                         | Self drilling screw | 6 mm    |        |        |         | -         |        |         |         |
|                                    | Drywall screw       | 5 mm    |        |        |         | 4 mm      |        |         |         |
| No load speed (min <sup>-1</sup> ) | 0 - 4,000           |         |        |        |         | 0 - 6,000 |        |         |         |
| Overall length                     | 269 mm              | 284 mm  | 269 mm | 279 mm | 293 mm  | 269 mm    | 279 mm | 279 mm  | 293 mm  |
| Net weight                         | 1.3 kg              |         | 1.4 kg |        |         |           |        |         |         |
| Safety class                       | □/II                |         |        |        |         |           |        |         |         |

- Due to our continuing program of research and development, the specifications herein are subject to change without notice.
- Specifications may differ from country to country.
- Weight according to EPTA-Procedure 01/2014

### Intended use ENE033-1

The tool is intended for screw driving in wood, metal and plastic.

### Power supply ENF002-2

The tool should be connected only to a power supply of the same voltage as indicated on the nameplate, and can only be operated on single-phase AC supply. They are double-insulated and can, therefore, also be used from sockets without earth wire.

## General power tool safety warnings GEA010-2

**⚠ WARNING: Read all safety warnings, instructions, illustrations and specifications provided with this power tool.** Failure to follow all instructions listed below may result in electric shock, fire and/or serious injury.

## Save all warnings and instructions for future reference.

The term "power tool" in the warnings refers to your mains-operated (corded) power tool or battery-operated (cordless) power tool.

## SCREWDRIVER SAFETY WARNINGS GEB135-1

1. **Hold the power tool by insulated gripping surfaces, when performing an operation where the fastener may contact hidden wiring or its own cord.** Fasteners contacting a "live" wire may make

exposed metal parts of the power tool "live" and could give the operator an electric shock.

2. **Always be sure you have a firm footing. Be sure no one is below when using the tool in high locations.**
3. **Hold the tool firmly.**
4. **Keep hands away from rotating parts.**
5. **Do not touch the bit or the workpiece immediately after operation; they may be extremely hot and could burn your skin.**
6. **Always secure workpiece in a vise or similar hold-down device.**

## SAVE THESE INSTRUCTIONS.

**⚠ WARNING: DO NOT let comfort or familiarity with product (gained from repeated use) replace strict adherence to safety rules for the subject product. MISUSE or failure to follow the safety rules stated in this instruction manual may cause serious personal injury.**

## FUNCTIONAL DESCRIPTION

### CAUTION:

- Always be sure that the tool is switched off and unplugged before adjusting or checking function on the tool.

### Depth adjustment

**For Model FS4000, FS4200, FS4300, FS6200, FS6300, FS6300R (Fig. 1)**

The depth can be adjusted by turning the lock ring. Turn it in "B" direction for less depth and in "A" direction for more

depth. One full turn of the lock ring equals 2.0 mm change in depth.

#### For Model FS4000X, FS4300X, FS6300X (Fig. 2)

The depth can be adjusted by turning the locking sleeve. Turn it in "A" direction for less depth and in "B" direction for more depth. One full turn of the locking sleeve equals 1.5 mm change in depth.

#### For all Models

Adjust the lock ring so that the distance between the tip of the locator and the screw head is approximately 1 mm as shown in the figures. Drive a trial screw into your material or a piece of duplicate material. If the depth is still not suitable for the screw, continue adjusting until you obtain the proper depth setting. (Fig. 3 & 4)

### Switch action (Fig. 5)

#### CAUTION:

- Before plugging in the tool, always check to see that the switch trigger actuates properly and returns to the "OFF" position when released.

To start the tool, simply pull the switch trigger. Tool speed is increased by increasing pressure on the switch trigger. Release the switch trigger to stop.

For continuous operation, pull the switch trigger and then push in the lock button.

To stop the tool from the locked position, pull the switch trigger fully, then release it.

#### NOTE:

- Even with the switch on and motor running, the bit will not rotate until you fit the point of the bit in the screw head and apply forward pressure to engage the clutch.

### Lighting up the lamps

#### For Models FS4200, FS4300, FS4300X, FS6200, FS6300, FS6300R, FS6300X (Fig. 6)

#### CAUTION:

- Do not look in the light or see the source of light directly.

To turn on the lamp, pull the trigger. Release the trigger to turn it off.

#### NOTE:

- Use a dry cloth to wipe the dirt off the lens of lamp. Be careful not to scratch the lens of lamp, or it may lower the illumination.

### Reversing switch action (Fig. 7)

#### CAUTION:

- Always check the direction of rotation before operation.
- Use the reversing switch only after the tool comes to a complete stop. Changing the direction of rotation before the tool stops may damage the tool.

This tool has a reversing switch to change the direction of rotation. Move the reversing switch lever to the ⇐ position (A side) for clockwise rotation or the ⇒ position (B side) for counterclockwise rotation.

### Hook (Fig. 8)

The hook is convenient for temporarily hanging the tool.

## ASSEMBLY

#### CAUTION:

- Always be sure that the tool is switched off and unplugged before carrying out any work on the tool.

### Installing or removing the bit

#### For Model FS4000, FS4200, FS4300, FS6200, FS6300, FS6300R

To remove the bit, first remove the locator by pulling the lock ring away from the gear housing. (Fig. 9)

Grasp the bit with a pair of pliers and pull the bit out of the magnetic bit holder. Sometimes, it helps to wiggle the bit with the pliers as you pull.

To install the bit, push it firmly into the magnetic bit holder. Then install the locator by pushing it firmly back onto the gear housing. (Fig. 10)

#### For Model FS4000X, FS4300X, FS6300X

To remove the bit, first pull the locator out of the locking sleeve. Then grasp the bit with a pair of pliers and pull the bit out of the magnetic bit holder. Sometimes, it helps to wiggle the bit with the pliers as you pull. (Fig. 11)

To install the bit, push it firmly into the magnetic bit holder. Then install the locator by pushing it firmly back onto the locking sleeve. (Fig. 12)

### Installing removable cord adapter

#### For Model FS6300R (Fig. 13)

Insert the removable cord adapter as far as it goes so that the marking △ on an end of the removable cord adapter on the side of connecting to power supply cord is aligned to the marking ⚡ on the other end of the removable cord adapter on the side of connecting to the tool.

Turn the removable cord adapter clockwise until it is locked with a lock button. (Fig. 14)

And at this time the marking △ on an end of the removable cord adapter on the side of power supply cord is aligned to the marking ⚡ on the other end of the removable cord adapter on the side of connecting to the tool. (Fig. 15)

### Removing removable cord adapter (Fig. 16)

Rotate the removable cord adapter counterclockwise until it stops while pressing the lower part of the lock button. Then pull the removable cord adapter in that position. (Fig. 17)

### Use of locator holder (Fig. 18)

The locator can be temporarily held on the locator holder during replacing bit or using without locator. To hold the locator, position the trapezoidal holes of the locator on the swells of the locator holder and push it in.

## OPERATION (Fig. 19)

Fit the screw on the point of the bit and place the point of the screw on the surface of the workpiece to be fastened. Apply pressure to the tool and start it. Withdraw the tool as soon as the clutch cuts in. Then release the switch trigger.

**CAUTION:**

- When fitting the screw onto the point of the bit, be careful not to push in on the screw. If the screw is pushed in, the clutch will engage and the screw will rotate suddenly. This could damage a workpiece or cause an injury.
- Make sure that the bit is inserted straight in the screw head, or the screw and/or bit may be damaged.
- Hold the tool only by the handle when performing an operation. Do not touch the metal part.

- The declared vibration emission value has been measured in accordance with the standard test method and may be used for comparing one tool with another.
- The declared vibration emission value may also be used in a preliminary assessment of exposure.

**⚠ WARNING:**

- The vibration emission during actual use of the power tool can differ from the declared emission value depending on the ways in which the tool is used.
- Be sure to identify safety measures to protect the operator that are based on an estimation of exposure in the actual conditions of use (taking account of all parts of the operating cycle such as the times when the tool is switched off and when it is running idle in addition to the trigger time).

## MAINTENANCE

**CAUTION:**

- Always be sure that the tool is switched off and unplugged before attempting to perform inspection or maintenance.
- Never use gasoline, benzine, thinner, alcohol or the like. Discoloration, deformation or cracks may result.

To maintain product SAFETY and RELIABILITY, repairs, carbon brush inspection and replacement, any other maintenance or adjustment should be performed by Makita Authorized Service Centers, always using Makita replacement parts.

**EC Declaration of Conformity  
For European countries only**

The EC declaration of conformity is included as Annex A to this instruction manual.

## OPTIONAL ACCESSORIES

**⚠ CAUTION:**

- These accessories or attachments are recommended for use with your Makita tool specified in this manual. The use of any other accessories or attachments might present a risk of injury to persons. Only use accessory or attachment for its stated purpose.

If you need any assistance for more details regarding these accessories, ask your local Makita Service Center.

- Phillips Insert bits
- Magnetic bit holder
- Locator
- Plastic carrying case

**NOTE:**

- Some items in the list may be included in the tool package as standard accessories. They may differ from country to country.

**Noise**

ENG905-1

The typical A-weighted noise level determined according to EN62841:

**Model FS4000, FS4000X, FS4200, FS4300,**

**FS4300X, FS6300, FS6300R, FS6300X**

Sound pressure level ( $L_{pA}$ ): 82 dB (A)

Sound power level ( $L_{WA}$ ): 93 dB (A)

Uncertainty (K): 3 dB (A)

**Wear ear protection.**

**Vibration**

ENG900-1

The vibration total value (tri-axial vector sum) determined according to EN62841:

**Model FS4000, FS4000X, FS4200, FS4300,**

**FS4300X, FS6300, FS6300R, FS6300X**

Work mode: screwdriving without impact

Vibration emission ( $a_{h1}$ ): 2.5 m/s<sup>2</sup> or less

Uncertainty (K): 1.5 m/s<sup>2</sup>

- |                            |                       |                             |
|----------------------------|-----------------------|-----------------------------|
| 1. Bague de verrouillage   | 6. Lampe              | 11. Porte-embout magnétique |
| 2. Manchon de verrouillage | 7. Levier inverseur   | 12. Arrondis                |
| 3. Centreur                | 8. Crochet            | 13. Trous trapézoïdaux      |
| 4. Gâchette                | 9. Carter d'engrenage | 14. Support du centreur     |
| 5. Bouton de verrouillage  | 10. Embout            |                             |

## SPÉCIFICATIONS

| Modèle                              |                  | FS4000    | FS4000X | FS4200 | FS4300 | FS4300X | FS6200    | FS6300 | FS6300R | FS6300X |  |
|-------------------------------------|------------------|-----------|---------|--------|--------|---------|-----------|--------|---------|---------|--|
| Capacités                           | Vis autoperceuse | 6 mm      |         |        |        |         | -         |        |         |         |  |
|                                     | Vis autoforeuse  | 5 mm      |         |        |        |         | 4 mm      |        |         |         |  |
| Vitesse à vide (min <sup>-1</sup> ) |                  | 0 - 4 000 |         |        |        |         | 0 - 6 000 |        |         |         |  |
| Longueur totale                     |                  | 269 mm    | 284 mm  | 269 mm | 279 mm | 293 mm  | 269 mm    | 279 mm | 279 mm  | 293 mm  |  |
| Poids net                           |                  | 1,3 kg    |         |        | 1,4 kg |         |           |        |         |         |  |
| Niveau de sécurité                  |                  | ☐/II      |         |        |        |         |           |        |         |         |  |

- Étant donné l'évolution constante de notre programme de recherche et de développement, les spécifications contenues dans ce manuel sont sujettes à des modifications sans préavis.
- Les spécifications peuvent varier suivant les pays.
- Poids conforme à la procédure EPTA 01/2014

### Utilisations

ENE033-1

L'outil est conçu pour le vissage dans le bois, le métal et le plastique.

### Alimentation

ENF002-2

L'outil ne doit être raccordé qu'à une alimentation de la même tension que celle qui figure sur la plaque signalétique, et il ne peut fonctionner que sur un courant secteur monophasé. Réalisé avec une double isolation, il peut de ce fait être alimenté sans mise à la terre.

## Consignes de sécurité générales pour outils électriques

GEA010-2

**⚠ AVERTISSEMENT : Veuillez lire les consignes de sécurité, instructions, illustrations et spécifications qui accompagnent cet outil électrique.** Le non-respect de toutes les instructions indiquées ci-dessous peut entraîner une électrocution, un incendie et/ou de graves blessures.

## Conservez toutes les mises en garde et instructions pour référence ultérieure.

Le terme « outil électrique » dans les avertissements fait référence à l'outil électrique alimenté par le secteur (avec cordon d'alimentation) ou à l'outil électrique fonctionnant sur batterie (sans cordon d'alimentation).

## CONSIGNES DE SECURITE POUR TOURNEVIS

GEB135-1

1. **Tenez l'outil électrique par une surface de prise isolée, lorsque vous effectuez une tâche où l'élément de fixation pourrait toucher un câblage caché ou son propre cordon d'alimentation.** Le contact des éléments de fixation avec un fil sous tension peut transmettre du courant dans les pièces métalliques exposées de l'outil électrique et électrocuter l'opérateur.
2. **Assurez-vous toujours d'avoir une bonne assise. Veillez à ce que personne ne se trouve en dessous de vous quand vous utilisez l'outil en hauteur.**
3. **Tenez l'outil fermement.**
4. **Gardez vos mains à l'écart des pièces en rotation.**
5. **Ne touchez pas l'embout ou la pièce immédiatement après l'exécution du travail ; ils peuvent être extrêmement chauds et vous brûler la peau.**
6. **Immobilisez toujours la pièce dans un étai ou un dispositif de retenue similaire.**

## CONSERVEZ CES INSTRUCTIONS.

**⚠ AVERTISSEMENT : NE vous laissez PAS tromper (au fil d'une utilisation répétée) par un sentiment d'aisance et de familiarité avec le produit, en négligeant le respect rigoureux des consignes de sécurité qui accompagnent le produit en question. La MAUVAISE UTILISATION de l'outil ou l'ignorance des consignes de sécurité indiquées dans ce mode d'emploi peut entraîner de graves blessures.**



# DESCRIPTION DU FONCTIONNEMENT

## ATTENTION :

- Assurez-vous toujours que l'outil est éteint et débranché avant de le régler ou de vérifier son fonctionnement.

## Réglage de la profondeur

**Pour les modèles FS4000, FS4200, FS4300, FS6200, FS6300, FS6300R (Fig. 1)**

La profondeur peut être réglée en tournant la bague de verrouillage. Tournez-la dans le sens « B » pour moins de profondeur et dans le sens « A » pour plus de profondeur. Un tour entier de la bague de verrouillage égale 2,0 mm de changement en profondeur.

**Pour les modèles FS4000X, FS4300X, FS6300X (Fig. 2)**

La profondeur peut être réglée en tournant le manchon de verrouillage. Tournez-le dans le sens « A » pour moins de profondeur et dans le sens « B » pour plus de profondeur. Un tour complet du manchon de verrouillage équivaut à un changement en profondeur de 1,5 mm.

## Pour tous les modèles

Réglez la bague de verrouillage de sorte que la distance entre le bout du centreur et la tête de la vis soit d'environ 1 mm comme illustré dans les figures. Enfoncez une vis d'essai dans votre matériel ou un morceau de matériel que vous avez en double. Si la profondeur ne convient toujours pas pour la vis, continuez le réglage jusqu'à ce que vous trouviez la profondeur correcte. (Fig. 3 et 4)

## Interrupteur (Fig. 5)

### ATTENTION :

- Avant de brancher l'outil, vérifiez toujours que la gâchette fonctionne correctement et revient en position d'arrêt (« OFF ») lorsqu'elle est relâchée.

Pour mettre l'outil en marche, appuyez simplement sur la gâchette. La vitesse de l'outil augmente à mesure que l'on accroît la pression exercée sur la gâchette. Pour l'arrêter, relâchez la gâchette.

Pour un fonctionnement continu, appuyez sur la gâchette puis enfoncez le bouton de verrouillage.

Pour arrêter l'outil alors qu'il est en position verrouillée, appuyez à fond sur la gâchette puis relâchez-la.

### REMARQUE :

- Même sous tension et avec le moteur en fonctionnement, l'embout ne pivotera pas avant que vous ayez placé la pointe de l'embout sur la tête de la vis et appuyé dessus afin d'engager l'embrayage.

## Allumage des lampes

**Pour les modèles FS4200, FS4300, FS4300X, FS6200, FS6300, FS6300R, FS6300X (Fig. 6)**

### ATTENTION :

- Ne regardez pas directement la lumière ou la source lumineuse.

Pour allumer la lampe, appuyez sur la gâchette. Pour l'éteindre, relâchez la gâchette.

### REMARQUE :

- Utilisez un chiffon sec pour essuyer les saletés qui recouvrent la lentille de la lampe. Prenez garde de ne

pas rayer la lentille de la lampe, sinon sa capacité d'éclairage sera affectée.

## Marche arrière (Fig. 7)

### ATTENTION :

- Vérifiez toujours le sens de rotation avant de mettre l'outil en marche.
- N'actionnez l'inverseur qu'une fois l'outil complètement arrêté. Si vous changez le sens de rotation de l'outil avant l'arrêt de celui-ci, vous risquez de l'endommager.

L'outil possède un inverseur qui permet de changer le sens de rotation. Placez l'inverseur en position ⇄ (A) pour une rotation vers la droite, ou en position ⇄ (B) pour une rotation vers la gauche.

## Crochet (Fig. 8)

L'outil est équipé d'un crochet pratique qui permet de le suspendre temporairement.

## ASSEMBLAGE

### ATTENTION :

- Avant d'effectuer toute intervention sur l'outil, assurez-vous toujours qu'il est hors tension et débranché.

## Installation ou retrait de l'embout

**Pour les modèles FS4000, FS4200, FS4300, FS6200, FS6300, FS6300R**

Pour retirer l'embout, enlevez d'abord le centreur en ôtant la bague de verrouillage du carter d'engrenage. (Fig. 9) Saisissez l'embout avec une pince et sortez-le du porte-embout magnétique. Il est parfois plus facile de retirer l'embout en le bougeant tout en tirant.

Pour installer l'embout, poussez-le fermement dans le porte-embout magnétique. Puis installez le centreur en le poussant fermement en arrière dans le carter d'engrenage. (Fig. 10)

**Pour les modèles FS4000X, FS4300X, FS6300X**

Pour retirer l'embout, commencez par tirer sur le centreur pour l'extraire du manchon de verrouillage. Ensuite saisissez l'embout avec une paire de pinces et tirez-le pour le sortir du porte-embout magnétique. Le fait de bouger l'embout avec les pinces tout en le tirant permet parfois de faciliter son retrait. (Fig. 11)

Pour installer l'embout, poussez-le fermement dans le porte-embout magnétique. Puis installez le centreur en le poussant fermement en arrière dans le manchon de verrouillage. (Fig. 12)


## Installation de l'adaptateur pour cordon amovible

**Pour le modèle FS6300R (Fig. 13)**

Insérez l'adaptateur pour cordon amovible aussi loin que possible de façon à ce que le repère  $\Delta$  à une extrémité de l'adaptateur au niveau de la connexion au cordon d'alimentation soit aligné avec le repère  $\Phi$  sur l'autre extrémité de l'adaptateur au niveau de la connexion à l'outil.

Faites pivoter l'adaptateur pour cordon amovible vers la droite jusqu'à ce qu'il se verrouille avec le bouton de verrouillage. (Fig. 14)

Ainsi, le repère  $\Delta$  à une extrémité de l'adaptateur pour cordon amovible au niveau de la connexion au cordon

d'alimentation est aligné avec le repère  sur l'autre extrémité de l'adaptateur au niveau de la connexion à l'outil. (Fig. 15)

## Retrait de l'adaptateur pour cordon amovible (Fig. 16)

Faites pivoter l'adaptateur pour cordon amovible vers la gauche jusqu'à la butée tout en appuyant sur la partie inférieure du bouton de verrouillage.

Puis retirez l'adaptateur pour cordon amovible de cette position. (Fig. 17)

## Utilisation du support du centreur (Fig. 18)

Le centreur peut être placé temporairement sur son support pendant le remplacement de l'embout ou pour une utilisation sans centreur. Pour poser le centreur sur son support, placez les trous trapézoïdaux du centreur sur les arrondis du support puis enfoncez-le.

## UTILISATION (Fig. 19)

Ajustez la vis sur la pointe de l'embout et placez la pointe de la vis sur la surface de la pièce de travail qui doit être fixée. Appliquez un peu de pression sur l'outil et démarrez-le. Retirez-le dès que l'embrayage s'emballe. Ensuite relâchez la gâchette.

### ATTENTION :

- Quand vous ajustez la vis sur la pointe de l'embout, faites attention de ne pas pousser sur la vis. Si la vis est poussée, l'embrayage s'enclenche et la vis tourne soudainement. Cela pourrait endommager la pièce de travail ou causer des blessures.
- Assurez-vous que l'embout se trouve inséré bien droit dans la tête de la vis, faute de quoi la vis et/ou l'embout risquent d'être endommagés.
- Manipulez l'outil uniquement par la poignée lors de son utilisation. Ne touchez pas la partie métallique.

## MAINTENANCE

### ATTENTION :

- Assurez-vous toujours que l'outil est éteint et débranché avant d'effectuer tout travail d'inspection ou de maintenance.
- N'utilisez jamais d'essence, de benzine, de diluant, d'alcool ou de produit similaire. Ces produits risquent de provoquer des décolorations, des déformations ou des fissures.

Pour assurer la SÉCURITÉ et la FIABILITÉ du produit, toute réparation, inspection et remplacement des charbons, ainsi que toute autre tâche de maintenance ou de réglage, doivent être effectués par un Centre de service agréé Makita, toujours avec des pièces de rechange Makita.

## ACCESSOIRES FOURNIS EN OPTION

### ATTENTION :

- Ces accessoires ou pièces complémentaires sont recommandés pour être utilisés avec l'outil Makita spécifié dans ce mode d'emploi. L'utilisation de tout

autre accessoire ou pièce complémentaire peut comporter un risque de blessure. N'utilisez les accessoires ou pièces qu'aux fins auxquelles ils ont été conçus.

Pour obtenir plus de détails sur ces accessoires, contactez votre Centre de service local Makita.

- Phillips Insert bits
- Porte-embout magnétique
- Centreur
- Étui en plastique

### REMARQUE :

- Certains éléments de la liste peuvent être inclus en tant qu'accessoires standard dans le coffret de l'outil envoyé. Ils peuvent varier suivant les pays.

### Bruit

ENG905-1

Les niveaux de bruit pondéré A typiques ont été mesurés selon la norme EN62841 :

**Modèles FS4000, FS4000X, FS4200, FS4300, FS4300X, FS6300, FS6300R, FS6300X**

Niveau de pression sonore ( $L_{pA}$ ) : 82 dB (A)

Niveau de puissance sonore ( $L_{WA}$ ) : 93 dB (A)

Incertitude (K) : 3 dB (A)

**Portez des protections auditives.**

### Vibrations

ENG900-1

La valeur totale de vibration (somme du vecteur triaxial) déterminée selon EN62841 :

**Modèles FS4000, FS4000X, FS4200, FS4300, FS4300X, FS6300, FS6300R, FS6300X**

Mode de fonctionnement : vissage sans impact

Émission des vibrations ( $a_{rh}$ ) : 2,5 m/s<sup>2</sup> ou moins

Incertitude (K) : 1,5 m/s<sup>2</sup>

ENG901-1

- La valeur de l'émission des vibrations déclarée a été mesurée conformément à la méthode de test standard et peut être utilisée afin de comparer des outils entre eux.
- La valeur de l'émission des vibrations déclarée peut également être utilisée lors d'une évaluation préliminaire de l'exposition.

### AVERTISSEMENT :

- Selon la manière dont l'outil est utilisé, il est possible que l'émission des vibrations pendant l'utilisation réelle de l'outil électrique diffère de la valeur de l'émission déclarée.
- Veillez à identifier les mesures de sécurité destinées à protéger l'opérateur et établies en fonction de l'estimation de l'exposition dans les conditions réelles d'utilisation (en prenant en compte toutes les étapes du cycle de fonctionnement, telles que les périodes de mise hors tension de l'outil, les périodes de fonctionnement au ralenti et les périodes de mise en route).

### Déclaration de conformité CE

#### **Pour les pays d'Europe uniquement**

La Déclaration de conformité CE figure en Annexe A du présent mode d'emploi.

# DEUTSCH (Originalanweisungen)

## Erklärung der Gesamtdarstellung

- |                     |                    |                          |
|---------------------|--------------------|--------------------------|
| 1. Arretiering      | 6. Lampe           | 11. Magneteinsatzhalter  |
| 2. Sicherungskranz  | 7. Umschalthebel   | 12. Ausbuchung           |
| 3. Zentriering      | 8. Haken           | 13. Trapezförmige Löcher |
| 4. Ein/Aus-Schalter | 9. Getriebegehäuse | 14. Zentrierringhalter   |
| 5. Arretiertaste    | 10. Einsatz        |                          |

## TECHNISCHE DATEN

| Modell                                  |                          | FS4000    | FS4000X | FS4200 | FS4300 | FS4300X | FS6200    | FS6300 | FS6300R | FS6300X |
|---|--------------------------|-----------|---------|--------|--------|---------|-----------|--------|---------|---------|
| Leistungen                              | Gewindebohrende Schraube | 6 mm      |         |        |        |         | -         |        |         |         |
|   | Trockenbauschraube       | 5 mm      |         |        |        |         | 4 mm      |        |         |         |
| Leerlaufdrehzahl (U/min <sup>-1</sup> ) |                          | 0 - 4.000 |         |        |        |         | 0 - 6.000 |        |         |         |
| Gesamtlänge                             |                          | 269 mm    | 284 mm  | 269 mm | 279 mm | 293 mm  | 269 mm    | 279 mm | 279 mm  | 293 mm  |
| Nettogewicht                            |                          | 1,3 kg    |         |        | 1,4 kg |         |           |        |         |         |
| Sicherheitsklasse                       |                          | II/III    |         |        |        |         |           |        |         |         |

- Aufgrund unserer beständigen Forschungen und Weiterentwicklungen sind Änderungen an den hier angegebenen Technischen Daten ohne Vorankündigung vorbehalten.
- Die Technischen Daten können in den einzelnen Ländern voneinander abweichen.
- Gewicht entsprechend EPTA-Verfahren 01/2014

### Verwendungszweck

ENE033-1

Das Werkzeug wurde für das Schrauben in Holz, Metall und Kunststoff entwickelt.

### Stromversorgung

ENF002-2

Das Werkzeug darf nur an eine Stromversorgung mit Einphasen-Wechselstrom mit der auf dem Typenschild angegebenen Spannung angeschlossen werden. Das Werkzeug verfügt über ein doppelt isoliertes Gehäuse und kann daher auch an einer Stromversorgung ohne Schutzkontakt betrieben werden.

## Allgemeine Sicherheitswarnungen für Elektrowerkzeuge

GEA010-2

**⚠️ WARNUNG: Lesen Sie alle mit diesem Elektrowerkzeug gelieferten Sicherheitswarnungen, Anweisungen, Abbildungen und technischen Daten durch.** Eine Missachtung der unten aufgeführten Anweisungen kann zu einem elektrischen Schlag, Brand und/oder schweren Verletzungen führen.

## Bewahren Sie alle Warnungen und Anweisungen für spätere Bezugnahme auf.

Der Ausdruck „Elektrowerkzeug“ in den Warnhinweisen bezieht sich auf Ihr mit Netzstrom (mit Kabel) oder Akku (ohne Kabel) betriebenes Elektrowerkzeug.

## SICHERHEITSWARNUNGEN FÜR SCHRAUBENDREHER

GEB135-1

1. **Halten Sie das Elektrowerkzeug nur an den isolierten Griffflächen, wenn Sie Arbeiten ausführen, bei denen die Gefahr besteht, dass das Befestigungselement verborgene Kabel oder das eigene Kabel kontaktiert.** Bei Kontakt mit einem Strom führenden Kabel können die freiliegenden Metallteile des Elektrowerkzeugs ebenfalls Strom führend werden, so dass der Benutzer einen elektrischen Schlag erleiden kann.
2. **Achten Sie stets auf sicheren Stand.** Vergewissern Sie sich bei Einsatz des Werkzeugs an hochgelegenen Arbeitsplätzen, dass sich keine Personen darunter aufhalten.
3. **Halten Sie das Werkzeug mit festem Griff.**
4. **Halten Sie Ihre Hände von rotierenden Teilen fern.**
5. **Vermeiden Sie eine Berührung des Einsatzes oder des Werkstücks unmittelbar nach der Bearbeitung, weil die Teile noch sehr heiß sind und Hautverbrennungen verursachen können.**
6. **Spannen Sie Werkstücke stets in einen Schraubstock oder eine ähnliche Aufspannvorrichtung ein.**

## DIESE ANWEISUNGEN AUFBEWAHREN.

**⚠️ WARNUNG: Lassen Sie sich NICHT durch Bequemlichkeit oder Vertrautheit mit dem Produkt (durch wiederholten Gebrauch erworben) von der strikten Einhaltung der Sicherheitsregeln für das vorliegende Produkt abhalten.**

**MISSBRAUCH oder Missachtung der Sicherheitsvorschriften in dieser Anleitung können schwere Verletzungen verursachen.**

## FUNKTIONSBESCHREIBUNG

### VORSICHT:

- Schalten Sie das Werkzeug stets aus und ziehen Sie den Stecker, bevor Sie Einstellungen oder eine Funktionsprüfung am Werkzeug vornehmen.

### Tiefeneinstellung

**Für Modelle FS4000, FS4200, FS4300, FS6200, FS6300, FS6300R (Abb. 1)**

Die Tiefe kann durch Drehen des Arretierings eingestellt werden. Drehen in Richtung „B“ verringert die Tiefe, Drehen in Richtung „A“ erhöht die Tiefe. Eine volle Umdrehung des Arretierings entspricht einer Tiefenänderung von 2,0 mm.

**Für Modelle FS4000X, FS4300X, FS6300X (Abb. 2)**

Um die Tiefe einzustellen, drehen Sie den Sicherungskranz. Drehen in Richtung „A“ verringert die Tiefe, Drehen in Richtung „B“ erhöht die Tiefe. Eine volle Umdrehung des Sicherungskranzes entspricht einer Tiefenänderung von 1,5 mm.

### Für alle Modelle

Stellen Sie den Arretiering so ein, dass der Abstand zwischen der Spitze des Zentrierrings und dem Schraubenkopf ca. 1 mm beträgt (siehe Abbildung). Schrauben Sie eine Probeschraube in das Material oder in ein Materialduplikat. Falls die Tiefe für die Schraube nicht ausreicht, passen Sie die Einstellung bis zur entsprechenden Tiefe weiter an. **(Abb. 3 und 4)**

### Bedienung des Schalters (Abb. 5)

#### VORSICHT:

- Achten Sie vor dem Einstecken des Werkzeug-Netzsteckers darauf, dass sich der Ein/Aus-Schalter korrekt bedienen lässt und beim Loslassen in die Position „OFF“ (AUS) zurückkehrt.

Betätigen Sie zum Starten des Werkzeugs einfach den Ein/Aus-Schalter. Die Drehzahl des Werkzeugs wird durch erhöhten Druck auf den Ein/Aus-Schalter gesteigert. Lassen Sie zum Ausschalten des Werkzeugs den Ein/Aus-Schalter los.

Betätigen Sie für einen Dauerbetrieb den Ein/Aus-Schalter und drücken Sie dann die Arretiertaste hinein. Zum Lösen der Arretierung müssen Sie den Ein/Aus-Schalter bis zum Anschlag betätigen und anschließend loslassen.

#### HINWEIS:

- Auch bei eingeschaltetem Schalter und laufendem Motor dreht sich der Einsatz nicht, bis Sie die Spitze des Einsatzes in den Schraubenkopf einsetzen und Druck darauf ausüben, um die Kupplung zu aktivieren.

## Einschalten der Lampen

**Für Modelle FS4200, FS4300, FS4300X, FS6200, FS6300, FS6300R, FS6300X (Abb. 6)**

### VORSICHT:

- Schauen Sie nicht direkt in das Licht oder in die Lichtquelle.

Ziehen Sie zum Einschalten der Lampe den Auslöser. Lassen Sie den Auslöser los, um sie auszuschalten.

### HINWEIS:

- Wischen Sie Schmutz auf der Lampenlinse mit einem trockenen Tuch ab. Achten Sie darauf, die Lampenlinse nicht zu zerkratzen, da dies die Beleuchtungsstärke mindern kann.

### Bedienung des Umschalters (Abb. 7)

#### VORSICHT:

- Überprüfen Sie vor jedem Betrieb immer die Drehrichtung.
- Der Umschalter darf nur betätigt werden, wenn das Werkzeug im Stillstand ist. Wenn Sie die Drehrichtung bei noch laufendem Werkzeug umschalten, kann das Werkzeug beschädigt werden.

Dieses Werkzeug verfügt über einen Umschalter, mit dem die Drehrichtung geändert werden kann. Stellen Sie für eine Drehbewegung im Uhrzeigersinn den Umschalthebel in die Stellung  $\leftarrow$  (Seite A), und für eine Drehbewegung gegen den Uhrzeigersinn in die Stellung  $\rightarrow$  (Seite B).

### Einhängeclip (Abb. 8)

Der Haken ist nützlich, wenn Sie das Werkzeug vorübergehend aufhängen möchten.

## MONTAGE

### VORSICHT:

- Schalten Sie das Werkzeug stets aus und ziehen Sie den Netzstecker, bevor Sie irgendwelche Arbeiten am Werkzeug durchführen.

### Montieren und Demontieren des Einsatzes

**Für Modelle FS4000, FS4200, FS4300, FS6200, FS6300, FS6300R**

Zum Entfernen des Einsatzes entfernen Sie zuerst den Zentrierring, indem Sie den Arretiering vom Gehäuse ziehen. **(Abb. 9)**

Fassen Sie den Einsatz mit einer Zange und ziehen Sie ihn aus dem Magneteinsatzhalter. Wackeln Sie bei Bedarf mit der Zange am Einsatz, um diesen herauszuziehen. Zum Einsetzen drücken Sie den Einsatz fest in den Magneteinsatzhalter. Drücken Sie zum Einsetzen des Zentrierrings diesen wieder fest auf das Gehäuse. **(Abb. 10)**

**Für Modelle FS4000X, FS4300X, FS6300X**

Um den Einsatz zu entfernen, ziehen Sie zunächst den Zentrierring aus dem Sicherungskranz. Fassen Sie den Bit-Einsatz anschließend mit einer Zange und ziehen Sie ihn aus dem Magneteinsatzhalter. Wackeln Sie bei Bedarf mit der Zange am Bit-Einsatz, um diesen herauszuziehen. **(Abb. 11)**

Zum Einsetzen drücken Sie den Bit-Einsatz fest in den Magneteinsatzhalter. Bringen Sie dann den Zentrierring an, indem Sie ihn fest zurück in den Sicherungskranz drücken. (Abb. 12)

## Anbringen des abnehmbaren Kabeladapters

Für Modell FS6300R (Abb. 13)

Setzen Sie den abnehmbaren Kabeladapter so weit wie möglich ein, so dass die Markierung  $\Delta$  an einem Ende des abnehmbaren Kabeladapters auf der Seite zum Anschluss des Stromkabels mit der Markierung  $\oplus$  am anderen Ende des abnehmbaren Kabeladapters auf der Anschlussseite zum Werkzeug ausgerichtet ist. Drehen Sie den abnehmbaren Kabeladapter im Uhrzeigersinn, bis er mit der Arretiertaste einrastet. (Abb. 14)

Die Markierung  $\Delta$  an einem Ende des abnehmbaren Kabeladapters ist nun auf der Seite zum Anschluss des Stromkabels mit der Markierung  $\oplus$  am anderen Ende des abnehmbaren Kabeladapters auf der Anschlussseite zum Werkzeug ausgerichtet. (Abb. 15)

## Entfernen des abnehmbaren Kabeladapters (Abb. 16)

Drehen Sie den abnehmbaren Kabeladapter bis zum Anschlag gegen den Uhrzeigersinn, während Sie den unteren Teil der Arretiertaste drücken.

Ziehen Sie dann den abnehmbaren Kabeladapter in dieser Position. (Abb. 17)

## Verwenden des Zentrierringhalters (Abb. 18)

Der Zentrierring kann vorübergehend während des Austauschs eines Einsatzes oder des Betriebs ohne Zentrierung auf dem Zentrierringhalter bleiben. Positionieren Sie zum Befestigen des Zentrierrings die trapezförmigen Löcher des Zentrierrings auf der Ausbuchtung des Zentrierringhalters und drücken Sie den Ring hinein.

## BETRIEB (Abb. 19)

Bringen Sie die Schraube auf der Spitze des Einsatzes an und setzen Sie die Schraubenspitze auf der Oberfläche des zu befestigenden Werkstücks an. Üben Sie Druck auf das Werkzeug aus und starten Sie es. Ziehen Sie das Werkzeug zurück, sobald die Kupplung unterbricht. Lassen Sie dann den Auslöseschalter los.

### VORSICHT:

- Wenn Sie die Schraube auf die Spitze des Einsatzes aufsetzen, dürfen Sie keinen Druck auf die Schraube ausüben. Wenn die Schraube hineingedrückt wird, wird die Kupplung aktiviert, und die Schraube dreht sich unversehens. Dies kann das Werkstück beschädigen und zu Verletzungen führen.
- Vergewissern Sie sich, dass der Einsatz gerade im Schraubenkopf sitzt. Andernfalls kann die Schraube und/oder der Einsatz beschädigt werden.
- Halten Sie das Werkzeug bei der Arbeit ausschließlich am Griff. Berühren Sie den Metallteil nicht.

## WARTUNG

### VORSICHT:

- Schalten Sie das Werkzeug stets aus und ziehen Sie den Stecker, bevor Sie Prüfungen oder Wartungsarbeiten am Werkzeug durchführen.
- Verwenden Sie zum Reinigen niemals Kraftstoffe, Benzin, Verdünner, Alkohol oder ähnliches. Dies kann zu Verfärbungen, Verformungen oder Rissen führen.

Um die SICHERHEIT und ZUVERLÄSSIGKEIT des Produkts zu gewährleisten, dürfen Reparaturen, Kohlebürsteninspektion und -austausch sowie alle anderen Wartungsarbeiten und Einstellungen nur in von Makita autorisierten Servicecentern ausgeführt werden. Dabei sind ausschließlich Makita-Ersatzteile zu verwenden.

## SONDERZUBEHÖR

### ⚠️ ACHTUNG:

- Für das in diesem Handbuch beschriebene Makita-Gerät werden die folgenden Zubehör- und Zusatzteile empfohlen. Bei Verwendung anderer Zubehör- und Zusatzteile kann es zu Verletzungen kommen. Verwenden Sie Zubehör- und Zusatzteile nur für den vorgesehenen Zweck.

Informationen zu diesem Zubehör erhalten Sie von Ihrem Makita-Servicecenter.

- Phillips-Zwischeneinsatz
- Magneteinsatzhalter
- Zentrierung
- Plastiktragekoffer

### HINWEIS:

- Einige der in der Liste aufgeführten Elemente sind dem Werkzeugpaket als Standardzubehör beigelegt. Diese können in den einzelnen Ländern voneinander abweichen.

### Schallpegel

ENG905-1

Typischer A-bewerteter Schallpegel nach EN62841:

**Modelle FS4000, FS4000X, FS4200, FS4300, FS4300X, FS6300, FS6300R, FS6300X**

Schalldruckpegel ( $L_{pA}$ ): 82 dB (A)

Schallleistungspegel ( $L_{WA}$ ): 93 dB (A)

Abweichung (K): 3 dB (A)

**Tragen Sie Gehörschutz.**

### Schwingung

ENG900-1

Schwingungsgesamtwerte (Vektorsumme dreier Achsen) nach EN62841:

**Modelle FS4000, FS4000X, FS4200, FS4300, FS4300X, FS6300, FS6300R, FS6300X**

Arbeitsmodus: Schrauben ohne Schlag

Schwingungsbelastung ( $a_{h1}$ ): 2,5 m/s<sup>2</sup> oder weniger

Abweichung (K): 1,5 m/s<sup>2</sup>

ENG901-1

- Der hier angegebene Wert für die erzeugten Schwingungen wurde gemäß dem genormten Testverfahren ermittelt und kann als Vergleich zu anderen Werkzeugen herangezogen werden.
- Der angegebene Wert für die erzeugten Schwingungen ist außerdem für eine vorbeugende Bewertung der Belastung zu verwenden.

 **WARNUNG:**

- Die Schwingungsbelastung kann bei tatsächlichem Gebrauch des Elektrowerkzeugs in Abhängigkeit von der Handhabung des Elektrowerkzeugs von dem hier aufgeführten Wert abweichen.
- Stellen Sie sicher, dass Schutzmaßnahmen für den Bediener getroffen werden, die auf den unter den tatsächlichen Arbeitsbedingungen zu erwartenden Belastungen beruhen (beziehen Sie alle Bestandteile des Arbeitsablaufs ein, also zusätzlich zu den Arbeitszeiten auch Zeiten, in denen das Werkzeug ausgeschaltet ist oder ohne Last läuft).

**EG-Konformitätserklärung**

***Nur für europäische Länder***

Die EG-Konformitätserklärung liegt dieser Betriebsanleitung als Anhang A bei.

## ITALIANO (Istruzioni originali)

### Spiegazione della vista generale

- |                       |                                       |                            |
|-----------------------|---------------------------------------|----------------------------|
| 1. Anello di blocco   | 6. Lampada                            | 11. Portapunte magnetico   |
| 2. Ghiera di blocco   | 7. Leva di inversione della rotazione | 12. Parti sporgenti        |
| 3. Posizionatore      | 8. Gancio                             | 13. Fori trapezoidali      |
| 4. Interruttore       | 9. Alloggiamento dell'ingranaggio     | 14. Supporto posizionatore |
| 5. Pulsante di blocco | 10. Punta                             |                            |

## CARATTERISTICHE TECNICHE

| Modello                               |                     | FS4000    | FS4000X | FS4200 | FS4300 | FS4300X | FS6200    | FS6300 | FS6300R | FS6300X |
|---------------------------------------|---------------------|-----------|---------|--------|--------|---------|-----------|--------|---------|---------|
| Capacità                              | Vite autoperforante | 6 mm      |         |        |        |         | -         |        |         |         |
|                                       | Vite da cartongesso | 5 mm      |         |        |        |         | 4 mm      |        |         |         |
| Velocità a vuoto (min <sup>-1</sup> ) |                     | 0 - 4.000 |         |        |        |         | 0 - 6.000 |        |         |         |
| Lunghezza totale                      |                     | 269 mm    | 284 mm  | 269 mm | 279 mm | 293 mm  | 269 mm    | 279 mm | 279 mm  | 293 mm  |
| Peso netto                            |                     | 1,3 kg    |         |        | 1,4 kg |         |           |        |         |         |
| Classe di sicurezza                   |                     | □/II      |         |        |        |         |           |        |         |         |

- Le caratteristiche tecniche riportate di seguito sono soggette a modifiche senza preavviso in virtù del nostro programma continuo di ricerca e sviluppo.
- Le caratteristiche tecniche possono differire da paese a paese.
- Peso determinato in conformità con la EPTA-Procedure 01/2014

### Uso previsto ENE033-1

Questo utensile è progettato per l'avvitatura di viti in legno, metallo e plastica.

### Alimentazione ENF002-2

L'utensile deve essere collegato a una presa di corrente con la stessa tensione di quella indicata sulla targhetta e può funzionare soltanto con corrente alternata monofase. L'utensile è dotato di doppio isolamento, pertanto può essere usato anche con prese di corrente sprovviste della messa a terra.

## Avvertenze generali relative alla sicurezza dell'utensile elettrico

GEA010-2

**⚠ AVVERTENZA:** Leggere tutte le avvertenze di sicurezza, le istruzioni, le illustrazioni e i dati tecnici forniti con il presente utensile elettrico. La mancata osservanza di tutte le istruzioni elencate di seguito potrebbe risultare in scosse elettriche, incendi e/o gravi lesioni personali.

## Conservare tutte le avvertenze e le istruzioni come riferimento futuro.

Il termine "utensile elettrico" nelle avvertenze si riferisce sia all'utensile elettrico (cablato) nel funzionamento alimentato da rete elettrica che all'utensile elettrico (a batteria) nel funzionamento alimentato a batteria.

## AVVERTENZE DI SICUREZZA RELATIVE ALL'AVVITATORE

GEB135-1

1. **Mantenere l'utensile elettrico per le superfici di impugnatura isolate, quando si intende eseguire un'operazione in cui l'elemento di fissaggio potrebbe entrare in contatto con fili elettrici nascosti o con il proprio cavo di alimentazione.** Gli elementi di fissaggio che entrino in contatto con un filo elettrico sotto tensione potrebbero mettere sotto tensione le parti metalliche esposte dell'utensile elettrico, e potrebbero dare una scossa elettrica all'operatore.
2. **Accertarsi sempre di appoggiare i piedi saldamente.**  
Quando si intende utilizzare l'utensile in posizioni elevate, accertarsi sempre che non sia presente alcuna persona sotto di sé.
3. **Tenere saldamente l'utensile.**
4. **Tenere le mani lontane dalle parti rotanti.**
5. **Non toccare la punta o il pezzo in lavorazione subito dopo l'uso; la loro temperatura potrebbe essere estremamente elevata e potrebbero causare ustioni.**
6. **Fissare sempre il pezzo in lavorazione in una morsa o in un dispositivo di fissaggio simile.**

## CONSERVARE LE PRESENTI ISTRUZIONI.

**⚠ AVVERTENZA:** NON lasciare che la comodità o la familiarità d'uso con il prodotto (acquisita con l'uso ripetuto) sostituiscano la stretta osservanza delle norme di sicurezza.

**L'USO IMPROPRIO o la mancata osservanza delle norme di sicurezza riportate nel presente manuale di istruzioni potrebbero causare lesioni personali gravi.**

## DESCRIZIONE FUNZIONALE

### ATTENZIONE:

- Prima di regolare o controllare le funzioni dell'utensile, verificare sempre di averlo spento e scollegato dall'alimentazione.

### Regolazione di profondità

**Per i modelli FS4000, FS4200, FS4300, FS6200, FS6300, FS6300R (Fig. 1)**

È possibile regolare la profondità ruotando l'anello di blocco. Girarlo nella direzione "B" per diminuire la profondità e nella direzione "A" per aumentarla. Un giro completo dell'anello di blocco equivale a una variazione della profondità pari a 2,0 mm.

**Per i modelli FS4000X, FS4300X, FS6300X (Fig. 2)**

È possibile regolare la profondità ruotando la ghiera di blocco. Girarla nella direzione "A" per diminuire la profondità e nella direzione "B" per aumentarla. Un giro completo della ghiera di blocco equivale a una variazione della profondità pari a 1,5 mm.

### Per tutti i modelli

Regolare l'anello di blocco in modo tale che la distanza tra la punta del posizionatore e la testa della vite sia di circa 1 mm come mostrato nelle figure. Avvitare una vite di prova nel materiale o in un pezzo di materiale non utilizzato. Se la profondità non è ancora adatta alla vite utilizzata, continuare la regolazione fino a ottenere la profondità adeguata. (Fig. 3 e 4)

### Azionamento dell'interruttore (Fig. 5)

#### ATTENZIONE:

- Prima di collegare l'utensile, controllare se l'interruttore funziona correttamente e ritorna alla posizione "OFF" una volta rilasciato.

Per accendere l'utensile è sufficiente premere l'interruttore. Per aumentare la velocità dell'utensile, aumentare la pressione sull'interruttore. Per spegnere l'utensile, rilasciare l'interruttore.

Per il funzionamento continuo, premere l'interruttore e, successivamente, il pulsante di blocco.

Per arrestare l'utensile in funzionamento continuo premere a fondo l'interruttore, quindi rilasciarlo.

#### NOTA:

- Anche se l'interruttore è acceso e il motore in funzione, la punta non ruoterà finché la sua parte estrema non viene fissata nella testa della vite e non viene applicata una pressione in avanti per innestare la frizione.

### Accensione delle lampade

**Per i modelli FS4200, FS4300, FS4300X, FS6200, FS6300, FS6300R, FS6300X (Fig. 6)**

#### ATTENZIONE:

- Non osservare direttamente la luce o la fonte luminosa. Per accendere la lampada, tirare la leva. Per spegnerla, rilasciare la leva.

#### NOTA:

- Utilizzare un panno asciutto per pulire la lente della lampada. Fare attenzione a non graffiare la lente della lampada per evitare riduzioni dell'intensità luminosa.

### Azionamento della leva di inversione della rotazione (Fig. 7)

#### ATTENZIONE:

- Prima di azionare l'utensile, controllare sempre la direzione di rotazione impostata.
- Utilizzare la leva di inversione solo quando l'utensile è completamente fermo. Modificare la direzione di rotazione prima dell'arresto può danneggiare l'utensile.

Questo utensile è dotato di una leva di inversione che consente di modificare la direzione di rotazione. Portare la leva di inversione nella posizione ⇐ (lato A) se si desidera una rotazione in senso orario o nella posizione ⇒ (lato B) se si desidera una rotazione in senso antiorario.

### Gancio (Fig. 8)

Il gancio è utile per appendere temporaneamente l'utensile.

## MONTAGGIO

#### ATTENZIONE:

- Accertarsi sempre che l'utensile sia spento e scollegato dalla presa di corrente prima di iniziare qualsiasi operazione su di esso.

### Installazione o rimozione della punta

**Per i modelli FS4000, FS4200, FS4300, FS6200, FS6300, FS6300R**

Per togliere la punta, rimuovere innanzitutto il posizionatore tirando via l'anello di blocco dall'alloggiamento dell'ingranaggio. (Fig. 9)

Afferrare la punta con un paio di pinze ed estrarla dal portapunte magnetico. A volte potrebbe essere utile muovere le pinze da una parte e dall'altra mentre si estrae la punta.

Per installare la punta, inserirla spingendola nel portapunte magnetico. Installare quindi il posizionatore spingendolo saldamente nell'alloggiamento dell'ingranaggio. (Fig. 10)

**Per i modelli FS4000X, FS4300X, FS6300X**

Per togliere la punta, estrarre innanzitutto il posizionatore della ghiera di blocco. Afferrare quindi la punta con un paio di pinze ed estrarla dal portapunte magnetico. A volte potrebbe essere utile muovere le pinze da una parte e dall'altra mentre si estrae la punta. (Fig. 11)

Per installare la punta, inserirla spingendola nel portapunte magnetico. Installare quindi il posizionatore spingendolo saldamente nella ghiera di blocco. (Fig. 12)

### Installazione dell'adattatore per cavi rimovibile

**Per il modello FS6300R (Fig. 13)**

Inserire l'adattatore per cavi rimovibile fino in fondo in modo tale che il simbolo  $\triangle$  posto su un'estremità dell'adattatore, sul lato del collegamento al cavo di alimentazione, sia allineato al simbolo  $\nabla$  posto sull'altra



estremità dell'adattatore sul lato del collegamento all'utensile.

Ruotare l'adattatore per cavi rimovibile in senso orario fino a bloccarlo con un pulsante di blocco. (Fig. 14)

A questo punto, il simbolo  $\Delta$  posto su un'estremità dell'adattatore per cavi rimovibile, sul lato del cavo di alimentazione, è allineato con il simbolo  $\otimes$  posto sull'altra estremità dell'adattatore, sul lato di collegamento all'utensile. (Fig. 15)

## Rimozione dell'adattatore per cavi rimovibile (Fig. 16)

Premendo la parte inferiore del pulsante di blocco, ruotare completamente l'adattatore per cavi rimovibile in senso antiorario.

Tirare quindi l'adattatore in quella posizione. (Fig. 17)

## Uso del supporto del posizionatore (Fig. 18)

È possibile tenere temporaneamente il posizionatore sul relativo supporto durante la sostituzione della punta o l'utilizzo senza posizionatore. Per tenere il posizionatore, regolare i fori trapezoidali del posizionatore sulle parti sporgenti del supporto e spingerlo verso l'interno.

## FUNZIONAMENTO (Fig. 19)

Appoggiare la vite sulla punta e posizionare la punta della vite sulla superficie del pezzo da fissare. Applicare pressione all'utensile e avviarlo. Ritirare l'utensile non appena si innesta la frizione. Rilasciare l'interruttore.

### ATTENZIONE:

- Quando si appoggia la vite sulla punta, prestare attenzione a spingere la punta sulla vite. Se si spinge la vite, si innesta la frizione e la vite inizia a girare all'improvviso. Questo potrebbe danneggiare il pezzo in lavorazione o provocare lesioni.
- Accertarsi di aver inserito la punta correttamente nella testa della vite. In caso contrario la punta o la vite potrebbero danneggiarsi.
- Durante il funzionamento, tenere l'utensile solo per la maniglia. Non toccare la parte metallica.

## MANUTENZIONE

### ATTENZIONE:

- Prima di effettuare controlli e operazioni di manutenzione, verificare sempre che l'utensile sia spento e scollegato dall'alimentazione.
- Evitare assolutamente di usare benzina, diluenti, solventi, alcol o sostanze simili. In caso contrario, potrebbero verificarsi scoloriture, deformazioni o incrinature.

Per mantenere la SICUREZZA e l'AFFIDABILITÀ del prodotto, le riparazioni, il controllo della spazzola di carbone, le sostituzioni e qualsiasi altra operazione di manutenzione o regolazione devono essere eseguite da un centro di assistenza Makita autorizzato usando sempre ricambi Makita.

## ACCESSORI OPZIONALI

### $\Delta$ ATTENZIONE:

- Si consiglia l'uso dei seguenti accessori per l'utensile Makita descritto in questo manuale. L'uso di qualsiasi altro accessorio potrebbe provocare lesioni personali. Utilizzare gli accessori esclusivamente per l'uso dichiarato.

Per l'assistenza e per ulteriori informazioni su tali accessori, rivolgersi al centro assistenza Makita di zona.

- Punte a croce da inserto Phillips
- Portapunte magnetico
- Posizionatore
- Valigetta di trasporto in plastica

### NOTA:

- Alcuni degli accessori elencati potrebbero essere inclusi nella confezione dell'utensile come accessori standard. Gli accessori standard possono differire da paese a paese.

### Rumore

ENG905-1

Il tipico livello di rumore ponderato "A" è determinato in conformità con la norma EN62841:

**Modelli FS4000, FS4000X, FS4200, FS4300, FS4300X, FS6300, FS6300R, FS6300X**

Livello di pressione sonora ( $L_{pA}$ ): 82 dB (A)

Livello di potenza sonora ( $L_{WA}$ ): 93 dB (A)

Variazione (K): 3 dB (A)

**Indossare una protezione acustica.**

### Vibrazione

ENG900-1

Il valore totale della vibrazione (somma vettoriale triassiale) è determinato in conformità con la norma EN62841:

**Modelli FS4000, FS4000X, FS4200, FS4300, FS4300X, FS6300, FS6300R, FS6300X**

Modalità di lavoro: avvituratura senza impatto

Emissione delle vibrazioni ( $a_{h1}$ ): 2,5 m/s<sup>2</sup> o inferiore

Variazione (K): 1,5 m/s<sup>2</sup>

ENG901-1

- Il valore di emissione delle vibrazioni dichiarato è stato misurato in conformità con il metodo di test standard e può essere utilizzato per confrontare tra loro diversi utensili.
- Il valore dell'emissione delle vibrazioni dichiarato può anche essere usato per stime preliminari dell'esposizione.

### $\Delta$ AVVERTENZA:

- L'emissione delle vibrazioni durante l'uso effettivo dell'utensile elettrico può risultare diversa rispetto al valore dichiarato, in base alla modalità d'uso dell'utensile.
- Assicurarsi di individuare le necessarie misure di sicurezza per proteggere l'operatore in base a una stima dell'esposizione nelle condizioni reali di utilizzo (prendendo in considerazione tutte le fasi del ciclo operativo, come quante volte l'utensile viene spento e i periodi in cui rimane inattivo, oltre al tempo di avviamento).

### Dichiarazione di conformità CE

#### **Solo per i paesi europei**

La dichiarazione di conformità CE è inclusa nell'Allegato A di questo manuale di istruzioni.

## NEDERLANDS (Originele instructies)

### Verklaring van algemene gegevens

- |                       |                         |                              |
|-----------------------|-------------------------|------------------------------|
| 1. Diepte-instelring  | 6. Lamp                 | 11. Magnetische bithouder    |
| 2. Diepte-instelring  | 7. Omkeerschakelaarknop | 12. Nokken                   |
| 3. Opzetkop           | 8. Haak                 | 13. Trapezevormige openingen |
| 4. Aan/uit-schakelaar | 9. Tandwielhuis         | 14. Houder voor opzetkop     |
| 5. Vastzetknop        | 10. Bit                 |                              |

## TECHNISCHE GEGEVENS

| Model                                 |                  | FS4000    | FS4000X | FS4200 | FS4300 | FS4300X | FS6200    | FS6300 | FS6300R | FS6300X |  |
|---------------------------------------|------------------|-----------|---------|--------|--------|---------|-----------|--------|---------|---------|--|
| Vermogen                              | Tapschroef       | 6 mm      |         |        |        |         | -         |        |         |         |  |
|                                       | Gipsplaatschroef | 5 mm      |         |        |        |         | 4 mm      |        |         |         |  |
| Nullasttoerental (min <sup>-1</sup> ) |                  | 0 - 4.000 |         |        |        |         | 0 - 6.000 |        |         |         |  |
| Totale lengte                         |                  | 269 mm    | 284 mm  | 269 mm | 279 mm | 293 mm  | 269 mm    | 279 mm | 279 mm  | 293 mm  |  |
| Netto gewicht                         |                  | 1,3 kg    |         |        | 1,4 kg |         |           |        |         |         |  |
| Veiligheidsklasse                     |                  | □/II      |         |        |        |         |           |        |         |         |  |

- Als gevolg van ons doorlopende onderzoeks- en ontwikkelingsprogramma, zijn de technische gegevens van dit gereedschap onderhevig aan veranderingen zonder voorafgaande kennisgeving.
- De technische gegevens kunnen van land tot land verschillen.
- Gewicht volgens EPTA-procedure 01/2014

**Gebruiksdoel** ENE033-1  
Het gereedschap is bedoeld voor schroeven in hout, metaal en kunststof.

**Voeding** ENF002-2  
Het gereedschap mag uitsluitend worden aangesloten op een voeding met dezelfde spanning als aangegeven op het typeplaatje en werkt alleen op enkele-fase wisselstroom. Het gereedschap is dubbel geïsoleerd en mag derhalve ook op een niet-geaard stopcontact worden aangesloten.

**Algemene veiligheidsaankondigingen voor elektrisch gereedschap** GEA010-2

**⚠ WAARSCHUWING:** Lees alle veiligheidsaankondigingen, aanwijzingen, afbeeldingen en technische gegevens behorend bij dit elektrische gereedschap aandachtig door. Als u niet alle onderstaande aanwijzingen naleeft, kan dat resulteren in brand, elektrische schokken en/of ernstig letsel.

**Bewaar alle waarschuwingen en instructies om in de toekomst te kunnen raadplegen.**

De term "elektrisch gereedschap" in de veiligheidsvoorschriften duidt op gereedschappen die op stroom van het lichtnet werken (met snoer) of gereedschappen met een accu (snoerloos).

## VEILIGHEIDSWAARSCHUWINGEN VOOR EEN SCHROEFMACHINE

GEB135-1

1. **Houd elektrisch gereedschap vast aan het geïsoleerde oppervlak van de handgrepen wanneer u werkt op plaatsen waar het bevestigingsmiddel met verborgen bedrading of zijn eigen snoer in aanraking kan komen.** Wanneer bevestigingsmiddelen in aanraking komen met onder spanning staande draden, zullen de niet-geïsoleerde metalen delen van het gereedschap onder spanning komen te staan zodat de gebruiker een elektrische schok kan krijgen.
2. **Zorg ook altijd dat u stevig op een solide bodem staat.** Controleer dat er niemand onder u staat wanneer u het gereedschap op een hoge plaats gebruikt.
3. **Houd het gereedschap stevig vast.**
4. **Houd uw handen uit de buurt van draaiende delen.**
5. **Raak direct na uw werk het bit of het werkstuk niet aan; ze kunnen erg heet zijn en u zou zich kunnen branden.**
6. **Zet het werkstuk altijd vast in een bankschroef of soortgelijke klemvoorziening.**

## BEWAAR DEZE VOORSCHRIFTEN.

**⚠ WAARSCHUWING:** Laat u NIET misleiden door een vals gevoel van comfort en bekendheid met het gereedschap (na veelvuldig gebruik) en neem alle veiligheidsvoorschriften van het betreffende gereedschap altijd strikt in acht.

**VERKEERD GEBRUIK of het niet naleven van de veiligheidsvoorschriften in deze gebruiksaanwijzing kan leiden tot ernstige verwondingen.**

## BESCHRIJVING VAN DE FUNCTIES

### LET OP:

- Controleer altijd of het gereedschap is uitgeschakeld en de stekker uit het stopcontact is getrokken alvorens de functies van het gereedschap te controleren of af te stellen.

### Diepteregeling

**Voor modellen FS4000, FS4200, FS4300, FS6200, FS6300, FS6300R (zie afb. 1)**

De diepte kan worden ingesteld door de Diepte-instelling te draaien. Draai deze in de richting "B" voor minder diep schroeven en in de richting "A" voor dieper schroeven. Een volledige omwenteling van de Diepte-instelling staat gelijk aan 2,0 mm verschil in diepte.

**Voor modellen FS4000X, FS4300X, FS6300X (zie afb. 2)**

De diepte kan worden ingesteld door de diepte-instelling te draaien. Draai deze in de richting "A" voor minder diep schroeven en in de richting "B" voor dieper schroeven. Een volledige omwenteling van de diepte-instelling staat gelijk aan 1,5 mm verschil in diepte.

### Voor alle modellen

Stel de diepte-instelling zodanig in dat de afstand tussen de punt van de opzetkop en de kop van de schroef ongeveer 1 mm is, zoals aangegeven in de afbeeldingen. Draai bij wijze van proef een schroef in het materiaal of een stuk gelijkwaardig materiaal. Als de diepte nog niet geschikt is voor de schroef, past u de diepte-instelling aan tot u de juiste diepte-instelling bereikt (**zie afb. 3 en 4**).

### In- en uitschakelen (zie afb. 5)

#### LET OP:

- Controleer altijd, voordat u de stekker in het stopcontact steekt, of de aan/uit-schakelaar op de juiste manier schakelt en weer terugkeert naar de uitstand nadat deze is losgelaten.

Om het gereedschap in te schakelen, knijpt u gewoon de aan/uit-schakelaar in. De draaisnelheid van het gereedschap neemt toe naarmate u meer druk uitoefent op de aan/uit-schakelaar. Laat de aan/uit-schakelaar los om het gereedschap te stoppen.

Om het gereedschap continu te laten werken, knijpt u de aan/uit-schakelaar in en drukt u vervolgens op de vergrendelknop.

Om vanuit de vergrendelde werking het gereedschap te stoppen, knijpt u de aan/uit-schakelaar helemaal in en laat u deze vervolgens weer los.

#### OPMERKING:

- Zelfs als de aan/uit-schakelaar is ingeschakeld en de motor draait, zal de bit pas gaan draaien nadat u de punt van de bit in een schroefkop hebt geplaatst en voorwaartse druk uitoefent zodat de koppeling aangrijpt.

## Het verlichten van de lampen

**Voor modellen FS4200, FS4300, FS4300X, FS6200, FS6300, FS6300R, FS6300X (zie afb. 6)**

### LET OP:

- Kijk niet rechtstreeks in het licht of naar de bron van de lamp.

Trek aan de aan/uit-schakelaar om de lamp in te schakelen. Laat de aan/uit-schakelaar los om de lamp uit te schakelen.

### OPMERKING:

- Gebruik een doek om het vuil van de lens van de lamp te vegen. Wees voorzichtig de lens van de lamp niet te bekrassen om de lichtopbrengst niet te verlagen.

## Werking van de omkeerschakelaar (zie afb. 7)

### LET OP:

- Controleer altijd de draairichting alvorens het gereedschap te gebruiken.
- Gebruik de omkeerschakelaar alleen nadat het gereedschap volledig tot stilstand is gekomen. Als u de draairichting verandert voordat het gereedschap volledig stilstaat, kan het gereedschap worden beschadigd.

Dit gereedschap is uitgerust met een omkeerschakelaar waarmee u de draairichting kunt omkeren. Duw de omkeerschakelaar naar stand ⇐ (richting A) voor de draairichting rechtsom, of naar stand ⇒ (richting B) voor de draairichting linksom.

### Haak (zie afb. 8)

De haak is handig om het gereedschap tijdelijk aan op te hangen.

## ONDERDELEN AANBRENGEN/ VERWIJDEREN

### LET OP:

- Controleer altijd of het gereedschap is uitgeschakeld en de stekker uit het stopcontact is getrokken alvorens enige werk aan het gereedschap uit te voeren.

### Aanbrengen en verwijderen van de bit

**Voor modellen FS4000, FS4200, FS4300, FS6200, FS6300, FS6300R**

Om de bit te verwijderen, verwijdert u eerst de opzetkop door de diepte-instelling weg te trekken van het tandwielhuis (**zie afb. 9**).

Pak de bit beet met een tang en trek de bit uit de magnetische bithouder. Soms is het handig met de tang de bit heen en weer te bewegen terwijl u eraan trekt. Om de bit te plaatsen, duwt u deze stevig in de magnetische bithouder. Plaats daarna de opzetkop terug door deze stevig op het tandwielhuis te drukken (**zie afb. 10**).

**Voor modellen FS4000X, FS4300X, FS6300X**

Om het bit te verwijderen, trekt u de opzetkop uit de diepte-instelling. Pak daarna het bit beet met een tang en trek het bit uit de magnetische bithouder. Soms is het handig met de tang het bit heen en weer te bewegen terwijl u eraan trekt (**zie afb. 11**).

Om het bit aan te brengen, duwt u hem stevig in de magnetische bithouder. Plaats daarna de opzetkop terug door deze stevig op de diepte-instelling te drukken (zie afb. 12).

## De netsnoer aankoppelen

### Voor model FS6300R (zie afb. 13)

Steek het uiteinde van het koppelbare netsnoer zo ver mogelijk in het gereedschap zodat het symbool  $\Delta$  op het koppeladapterdeel aan de kant van het netsnoer is uitgelijnd met het symbool  $\text{Ⓢ}$  op het koppeladapterdeel aan de kant van het gereedschap.

Draai de koppeladapter rechtsom tot het wordt vergrendeld door de vergrendelknop (zie afb. 14).

Op dat moment is de markering  $\Delta$  op het koppeladapterdeel aan de kant van het netsnoer uitgelijnd met de markering  $\text{Ⓢ}$  op het koppeladapterdeel aan de kant van het gereedschap (zie afb. 15).

### Het netsnoer loskoppelen (zie afb. 16)

Druk het onderste deel van de vergrendelknop in en draai de koppeladapter zo ver mogelijk linksom.

Trek daarna het koppelbare netsnoer uit het gereedschap (zie afb. 17).

## De houder voor de opzetkop gebruiken (zie afb. 18)

De opzetkop kan tijdelijk worden opgeborgen op deze houder tijdens het vervangen van de bit of het gebruik zonder opzetkop. Bevestig de opzetkop op de houder door de trapezovormige openingen in de opzetkop over de nokken op de houder te duwen.

## BEDIENING (zie afb. 19)

Plaats de schroef op de punt van de bit en plaats de punt van de schroef op het oppervlak van het werkstuk dat u wilt vastschroeven. Oefen druk uit op het gereedschap en schakel het in. Trek het gereedschap terug zodra de koppeling begint te slippen. Laat daarna de aan/uitschakelaar los.

### LET OP:

- Wanneer u de schroef op de punt van de bit plaatst, mag u de schroef niet te hard erop duwen. Als de schroef te hard erop wordt geduwd, zal de koppeling in werking treden en de schroef plotseling gaan draaien. Hierdoor kan het werkstuk worden beschadigd of letsel worden veroorzaakt.
- Zorg ervoor dat de bit recht op de schroefkop staat omdat anders de schroef en/of de bit kunnen worden beschadigd.
- Houd het gereedschap tijdens gebruik uitsluitend aan de handgreep vast. Raak het metalen deel niet aan.

## ONDERHOUD

### LET OP:

- Zorg er altijd voor dat het gereedschap is uitgeschakeld en de stekker uit het stopcontact is getrokken, voordat u een inspectie of onderhoud uitvoert.

- Gebruik nooit benzine, wasbenzine, thinner, alcohol, enz. Dit kan leiden tot verkleuren, vervormen of barsten.

Om de VEILIGHEID en BETROUWBAARHEID van het gereedschap te handhaven, dienen alle reparaties, controle en vervanging van de koolborstels, onderdelen en afstellingen te worden uitgevoerd door een erkend Makita-servicecentrum, en altijd met gebruikmaking van originele Makita-vervangingsonderdelen.

## VERKRIJGBARE ACCESSOIRES

### ⚠ LET OP:

- Deze accessoires of hulpstukken worden aanbevolen voor gebruik met het Makita-gereedschap dat in deze gebruiksaanwijzing wordt beschreven. Het gebruik van andere accessoires of hulpstukken kan gevaar voor persoonlijk letsel opleveren. Gebruik de accessoires of hulpstukken uitsluitend voor de aangegeven gebruiksdoeleinden.

Mocht u meer informatie willen hebben over deze accessoires, dan kunt u contact opnemen met uw plaatselijke Makita-servicecentrum.

- Kruiskopinsteekbits
- Magnetische bithouder
- Opzetkop
- Kunststoffen draagdoos

### OPMERKING:

- Sommige items op de lijst kunnen zijn inbegrepen in de doos van het gereedschap als standaard toebehoren. Zij kunnen van land tot land verschillen.

### Geluid

ENG905-1

Het standaard A-gewogen geluidsniveau zoals vastgesteld conform EN62841:

**Modellen FS4000, FS4000X, FS4200, FS4300, FS4300X, FS6300, FS6300R, FS6300X**

Geluidsdrukniveau (L<sub>pA</sub>): 82 dB (A)

Geluidsvermogeniveau (L<sub>wA</sub>): 93 dB (A)

Onzekerheid (K): 3 dB (A)

**Draag oorbescherming.**

### Trilling

ENG900-1

De totale trillingswaarde (triaxiale vectorsom) zoals vastgesteld volgens EN62841:

**Modellen FS4000, FS4000X, FS4200, FS4300, FS4300X, FS6300, FS6300R, FS6300X**

Gebruikstoepassing: schroeven zonder slag

Trillingsemismissie (a<sub>h</sub>): 2,5 m/s<sup>2</sup> of minder

Onzekerheid (K): 1,5 m/s<sup>2</sup>

ENG901-1

- De opgegeven trillingsemismissiewaarde is gemeten volgens de standaardtestmethode en kan worden gebruikt om dit gereedschap te vergelijken met andere gereedschappen.
- De opgegeven trillingsemismissiewaarde kan ook worden gebruikt voor een beoordeling vooraf van de blootstelling.

### ⚠ WAARSCHUWING:

- De trillingsemismissie tijdens het gebruik van het elektrisch gereedschap in de praktijk kan verschillen van de opgegeven trillingsemismissiewaarde afhankelijk van de manier waarop het gereedschap wordt gebruikt.

- Zorg ervoor dat veiligheidsmaatregelen worden getroffen ter bescherming van de operator die zijn gebaseerd op een schatting van de blootstelling onder praktijkomstandigheden (rekening houdend met alle fasen van de bedrijfscyclus, zoals de tijdsduur gedurende welke het gereedschap is uitgeschakeld en stationair draait, naast de ingeschakelde tijdsduur).

#### **EU-verklaring van conformiteit**

##### ***Alleen voor Europese landen***

De EU-verklaring van conformiteit is opgenomen als Bijlage A in deze instructiehandleiding.

# ESPAÑOL (Instrucciones originales)

## Descripción y visión general

- |                           |   |                                  |
|---------------------------|---|----------------------------------|
| 1. Anillo de bloqueo      | 6. Lámpara                              | 10. Punta                        |
| 2. Funda de bloqueo       | 7. Palanca del interruptor de inversión | 11. Portabrocas magnético        |
| 3. Posicionador           | 8. Gancho                               | 12. Salientes                    |
| 4. Interruptor disparador | 9. Alojamiento del engranaje            | 13. Orificios trapezoidales      |
| 5. Botón de bloqueo       |   | 14. Soporte para el posicionador |

## ESPECIFICACIONES

| Modelo                                  |                           | FS4000    | FS4000X | FS4200 | FS4300 | FS4300X | FS6200    | FS6300 | FS6300R | FS6300X |  |
|---|---------------------------|-----------|---------|--------|--------|---------|-----------|--------|---------|---------|--|
| Capacidades                             | Tornillo autotaladrante   | 6 mm      |         |        |        |         | -         |        |         |         |  |
|   | Tornillo para cartón yeso | 5 mm      |         |        |        |         | 4 mm      |        |         |         |  |
| Velocidad en vacío (mín <sup>-1</sup> ) |                           | 0 - 4.000 |         |        |        |         | 0 - 6.000 |        |         |         |  |
| Longitud total                          |                           | 269 mm    | 284 mm  | 269 mm | 279 mm | 293 mm  | 269 mm    | 279 mm | 279 mm  | 293 mm  |  |
| Peso neto                               |                           | 1,3 kg    |         |        | 1,4 kg |         |           |        |         |         |  |
| Clase de seguridad                      |                           | II/III    |         |        |        |         |           |        |         |         |  |

- Debido a nuestro programa continuo de investigación y desarrollo, las especificaciones aquí descritas están sujetas a cambios sin previo aviso.
- Las especificaciones pueden ser diferentes de un país a otro.
- Peso de acuerdo con el procedimiento EPTA 01/2014

### Uso previsto

ENE033-1

Esta herramienta está diseñada para atornillar en madera, metal y plástico.

### Alimentación

ENF002-2

La herramienta debe conectarse solamente a una fuente de alimentación de la misma tensión que la indicada en la placa de características, y sólo puede funcionar con corriente alterna monofásica. La herramienta cuenta con un doble aislamiento y puede, por lo tanto, usarse también en tomacorrientes sin conductor de tierra.

## Advertencias de seguridad para herramientas eléctricas en general

GEA010-2

**⚠ ADVERTENCIA:** Lea todas las advertencias de seguridad, instrucciones, ilustraciones y especificaciones provistas con esta herramienta eléctrica. Si no sigue todas las instrucciones indicadas abajo podrá resultar en una descarga eléctrica, un incendio y/o heridas graves.

## Guarde todas las advertencias e instrucciones para futuras referencias.

El término "herramienta eléctrica" en las advertencias se refiere a su herramienta eléctrica de funcionamiento con conexión a la red eléctrica (con cable) o herramienta eléctrica de funcionamiento a batería (sin cable).

## ADVERTENCIAS DE SEGURIDAD PARA EL ATORNILLADOR

GEB135-1

1. Cuando realice una operación en la que el fijador pueda entrar en contacto con cableado oculto o con su propio cable, sujete la herramienta eléctrica por las superficies de asiento aisladas. El contacto del fijador con un cable con corriente hará que la corriente circule por las partes metálicas expuestas de la herramienta eléctrica y podrá soltar una descarga eléctrica al operario.
2. Asegúrese siempre de que tiene suelo firme. Asegúrese de que no haya nadie debajo cuando utilice la herramienta en lugares altos.
3. Sujete la herramienta firmemente.
4. Mantenga las manos alejadas de las partes giratorias.
5. No toque la punta de atornillar o la pieza de trabajo inmediatamente después de la operación; podrán estar muy calientes y quemarle la piel.
6. Sujete siempre la pieza de trabajo en un tornillo de banco o dispositivo de sujeción similar.

## GUARDE ESTAS INSTRUCCIONES.

**⚠ ADVERTENCIA:** NO deje que la comodidad o familiaridad con el producto (a base de utilizarlo repetidamente) sustituya la estricta observancia de las normas de seguridad para el producto en cuestión.

El MAL USO o el no seguir las normas de seguridad establecidas en este manual de instrucciones podrá ocasionar graves heridas personales.

# DESCRIPCIÓN DEL FUNCIONAMIENTO

## PRECAUCIÓN:

- Asegúrese siempre de que la herramienta esté apagada y desenchufada antes de intentar realizar cualquier tipo de ajuste o comprobación en ella.

## Ajuste de profundidad

Para los modelos **FS4000, FS4200, FS4300, FS6200, FS6300, FS6300R** (Fig. 1)

La profundidad se puede ajustar girando el anillo de bloqueo. Gírelo en la dirección "B" para lograr una menor profundidad y en la dirección "A" para lograr una mayor profundidad. Un giro completo del anillo de bloqueo equivale a un cambio de profundidad de 2,0 mm.

Para los modelos **FS4000X, FS4300X, FS6300X** (Fig. 2)

La profundidad se puede ajustar girando la funda de bloqueo. Gírela en la dirección "A" para lograr una menor profundidad y en la dirección "B" para lograr una mayor profundidad. Un giro completo de la funda de bloqueo equivale a un cambio de profundidad de 1,5 mm.

## Para todos los modelos

Ajuste el anillo de bloqueo para que la distancia entre el extremo del posicionador y la cabeza del tornillo sea aproximadamente de 1 mm como se muestra en las figuras. Atornille un tornillo de prueba en el material o en una pieza de un duplicado del material. Si la profundidad aún no es adecuada para el tornillo, continúe ajustando hasta que obtenga el ajuste de profundidad correcto. (Fig. 3 y 4)

## Funcionamiento del interruptor (Fig. 5)

### PRECAUCIÓN:

- Antes de enchufar la herramienta, asegúrese siempre de que el interruptor disparador funcione como es debido y de que vuelva a la posición "OFF" (apagado) al soltarlo.

Para poner en marcha la herramienta, simplemente accione el interruptor disparador. La velocidad de la herramienta aumenta al incrementar la presión sobre el interruptor disparador. Suelte el interruptor disparador para detener la herramienta.

Para un uso continuo, accione el interruptor disparador y después pulse el botón de bloqueo.

Para detener la herramienta desde la posición de bloqueo, accione totalmente el interruptor disparador y, a continuación, suéltelo.

### NOTA:

- Incluso con el interruptor activado y el motor en marcha, la punta no girará hasta que usted encaje el extremo de la punta en la cabeza del tornillo y aplique presión hacia delante para accionar el embrague.

## Encendido de las lámparas

Para los modelos **FS4200, FS4300, FS4300X, FS6200, FS6300, FS6300R, FS6300X** (Fig. 6)

### PRECAUCIÓN:

- No mire hacia la luz ni mire directamente hacia la fuente de luz.

Para encender la lámpara, tire del disparador. Suelte el disparador para apagarla.

### NOTA:

- Utilice un paño seco para limpiar la suciedad del cristal de la lámpara. Procure no rayar el cristal de la lámpara, puesto que puede disminuir el grado de iluminación.

## Funcionamiento del interruptor de inversión (Fig. 7)

### PRECAUCIÓN:

- Antes de trabajar, compruebe siempre la dirección del giro.
- Utilice el interruptor de inversión sólo cuando la herramienta se haya detenido por completo, ya que, de lo contrario, la herramienta podría averiarse.

Esta herramienta está provista de un interruptor de inversión para cambiar la dirección de giro. Desplace la palanca del interruptor de inversión hacia la posición ⇐ (lado A) para girar a la derecha o hacia la posición ⇒ (lado B) para girar a la izquierda.

## Gancho (Fig. 8)

El gancho es útil para colgar la herramienta.

## MONTAJE

### PRECAUCIÓN:

- Asegúrese siempre de que la herramienta esté apagada y desenchufada antes de intentar realizar cualquier trabajo en ella.

## Instalación o extracción de la punta

Para los modelos **FS4000, FS4200, FS4300, FS6200, FS6300, FS6300R**

Para quitar la punta, extraiga en primer lugar el posicionador. A tal efecto, tire del anillo de bloqueo para sacarlo del alojamiento del engranaje. (Fig. 9)

Sujete la punta con unos alicates y tire de ella para extraerla del portabrocas magnético. A veces puede resultar útil mover la punta con los alicates mientras tira de ella. Para instalar la punta, empújela firmemente en el portabrocas magnético. A continuación, instale el posicionador insertándolo con fuerza en el alojamiento del engranaje. (Fig. 10)

Para los modelos **FS4000X, FS4300X, FS6300X**


Para extraer la punta, primero tire del posicionador para extraerlo de la funda de bloqueo. A continuación, sujete la punta con unos alicates y tire de ella para extraerla del portabrocas magnético. A veces puede resultar útil mover la punta con los alicates mientras tira de ella. (Fig. 11)

Para instalar la punta, empújela firmemente en el portabrocas magnético. A continuación, instale el posicionador empujándolo firmemente de nuevo en la funda de bloqueo. (Fig. 12)



## Instalación del adaptador de cable desmontable

Para el modelo **FS6300R** (Fig. 13)

Inserte el adaptador de cable desmontable hasta que la marca △ del extremo del adaptador de cable

desmontable del lado de conexión al cable de alimentación esté alineada con la marca  del otro extremo del adaptador de cable desmontable del lado de conexión a la herramienta.

Gire el adaptador de cable desmontable hacia la derecha hasta que quede bloqueado mediante el botón de bloqueo. (Fig. 14)

En este momento, la marca  del extremo del adaptador de cable desmontable del lado del cable de alimentación está alineada con la marca  en el otro extremo del adaptador de cable desmontable del lado de conexión a la herramienta. (Fig. 15)

## Extracción del adaptador de cable desmontable (Fig. 16)

Gire el adaptador de cable desmontable hacia la izquierda hasta que se detenga mientras presiona la parte inferior del botón de bloqueo

A continuación, tire del adaptador de cable desmontable en esa posición. (Fig. 17)

## Uso del soporte para el posicionador (Fig. 18)

El posicionador se puede sujetar temporalmente en el soporte para posicionador durante la sustitución de una punta o durante el funcionamiento sin posicionador. Para sujetar el posicionador, coloque los orificios trapezoidales del posicionador en los salientes del soporte para el posicionador y presione.

## MANEJO (Fig. 19)

Encaje el tornillo en el extremo de la punta y coloque la punta del tornillo en la superficie de la pieza de trabajo que se va a atornillar. Ejercer presión sobre la herramienta y póngala en marcha. Retire la herramienta en cuanto se active el embrague y, a continuación, suelte el disparador.

### PRECAUCIÓN:

- Cuando encaje el tornillo en el extremo de la punta, tenga cuidado de no ejercer presión sobre él. Si se ejerce presión sobre el tornillo, el embrague se puede activar y el tornillo puede girar repentinamente. Podría dañarse una pieza de trabajo o podrían provocarse lesiones.
- Asegúrese de insertar la punta en la cabeza del tornillo de forma recta ya que, de lo contrario, el tornillo y/o la punta podrían sufrir daños.
- Sujete la herramienta solamente por la empuñadura cuando realice una operación. No toque la parte de metal.

## MANTENIMIENTO

### PRECAUCIÓN:

- Asegúrese siempre de que la herramienta esté apagada y desenchufada antes de intentar realizar cualquier trabajo de inspección o mantenimiento en ella.
- Nunca utilice gasolina, benceno, disolvente, alcohol o un producto similar. Se puede provocar una decoloración, una deformación o grietas.

Para conservar la SEGURIDAD y la FIABILIDAD del producto, los trabajos de reparación, la inspección y la

sustitución de las escobillas de carbón, así como otros trabajos de mantenimiento y ajuste, deberán ser realizados en centros de servicio autorizados de Makita, utilizando siempre piezas de repuesto de Makita.

## ACCESORIOS OPCIONALES

### ⚠ PRECAUCIÓN:

- Se recomienda el uso de estos accesorios o complementos con la herramienta Makita especificada en este manual. El uso de otros accesorios o complementos puede conllevar el riesgo de ocasionar daños corporales. Utilice los accesorios o complementos solamente para su fin establecido.

Si necesita cualquier ayuda para obtener más información relativa a estos accesorios, pregunte a su centro de servicio Makita local.

- Puntas de inserción Phillips
- Portabrocas magnético
- Posicionador
- Maletín de plástico para el transporte

### NOTA:

- Algunos elementos de la lista se pueden incluir en el paquete de la herramienta como accesorios estándar. Pueden ser diferentes de un país a otro.

### Ruido

ENG905-1

Nivel de ruido típico de ponderación A establecido según EN62841:

**Modelos FS4000, FS4000X, FS4200, FS4300, FS4300X, FS6300, FS6300R, FS6300X**

Nivel de presión de sonido ( $L_{pA}$ ): 82 dB (A)

Nivel de potencia de sonido ( $L_{WA}$ ): 93 dB (A)

Incertidumbre (K): 3 dB (A)

**Utilice protección para los oídos.**

### Vibración

ENG900-1

Valor total de la vibración (suma de vectores triaxiales) determinada según el estándar EN62841:

**Modelos FS4000, FS4000X, FS4200, FS4300, FS4300X, FS6300, FS6300R, FS6300X**

Modo de trabajo: atornillado sin impacto

Emisión de vibraciones ( $a_h$ ): 2,5 m/s<sup>2</sup> o menos

Incertidumbre (K): 1,5 m/s<sup>2</sup>

ENG901-1

- El valor de emisión de vibraciones se ha medido de acuerdo con el método de prueba estándar y se puede utilizar para comparar herramientas.
- El valor de emisión de vibraciones declarado también se puede usar en una evaluación preliminar de la exposición.

### ⚠ ADVERTENCIA:

- La emisión de vibraciones durante el uso de la herramienta eléctrica puede diferir del valor de emisiones declarado, dependiendo de las formas en que se utiliza la herramienta.
- Asegúrese de identificar las mediciones correctas para proteger al operario, que se basan en una estimación de la exposición en condiciones de uso reales (teniendo en cuenta todas las partes del ciclo de operaciones, como los momentos en los que la herramienta está apagada y cuando funciona al ralentí además del tiempo en que está activado el interruptor).



**Declaración de conformidad de la CE**

***Sólo para países europeos***

La Declaración de conformidad de la CE se incluye como Anexo A en este manual de instrucciones.

# PORTUGUÊS (Instruções de origem)

## Descrição geral

- |                         |                                   |                                     |
|-------------------------|-----------------------------------|-------------------------------------|
| 1. Anel de bloqueio     | 6. Lâmpada                        | 11. Suporte magnético de brocas     |
| 2. Manga de bloqueio    | 7. Manípulo de mudança de rotação | 12. Saliências                      |
| 3. Anel de profundidade | 8. Gancho                         | 13. Orifícios trapezoidais          |
| 4. Gatilho              | 9. Caixa de engrenagens           | 14. Suporte do anel de profundidade |
| 5. Botão de bloqueio    | 10. Broca                         |                                     |

## ESPECIFICAÇÕES

| Modelo  |                                  | FS4000    | FS4000X | FS4200 | FS4300 | FS4300X | FS6200    | FS6300 | FS6300R | FS6300X |
|---|----------------------------------|-----------|---------|--------|--------|---------|-----------|--------|---------|---------|
| Capacidades   | Parafuso auto-roscante           | 6 mm      |         |        |        |         | -         |        |         |         |
|   | Parafuso para paredes de estuque | 5 mm      |         |        |        |         | 4 mm      |        |         |         |
| Velocidade de rotação sem carga (mín. <sup>-1</sup> ) |                                  | 0 - 4.000 |         |        |        |         | 0 - 6.000 |        |         |         |
| Comprimento total                                     |                                  | 269 mm    | 284 mm  | 269 mm | 279 mm | 293 mm  | 269 mm    | 279 mm | 279 mm  | 293 mm  |
| Peso líquido  |                                  | 1,3 kg    |         |        | 1,4 kg |         |           |        |         |         |
| Classe de segurança                                   |                                  | II        |         |        |        |         |           |        |         |         |

- Devido à pesquisa e desenvolvimento constantes, estas especificações estão sujeitas a alteração sem aviso prévio.
- Estas especificações podem diferir de país para país.
- Peso de acordo com procedimento EPTA de 01/2014

### Utilização prevista ENE033-1

A ferramenta destina-se a aparafusar em madeira, metal e plástico.

### Fonte de alimentação ENF002-2

A ferramenta apenas deve ser ligada a uma fonte de alimentação da mesma tensão que a indicada na chapa de especificações, e apenas pode funcionar com uma alimentação CA monofásica. Estão blindadas duplamente e podem, assim, ser igualmente ligadas a tomadas sem fio terra.

## Avisos gerais de segurança para ferramentas elétricas GEA010-2

**⚠ AVISO: Leia todos os avisos de segurança, instruções, ilustrações e especificações fornecidos com esta ferramenta elétrica.** O não cumprimento de todas as instruções indicadas em baixo pode resultar em choque elétrico, incêndio e/ou ferimentos graves.

## Guarde todos os avisos e instruções para futuras referências.

O termo “ferramenta elétrica” nos avisos refere-se às ferramentas elétricas ligadas à corrente elétrica (com cabo) ou às ferramentas elétricas operadas por meio de bateria (sem cabo).

## AVISOS DE SEGURANÇA DA PARAFUSADEIRA GEB135-1

1. **Agarre na ferramenta elétrica pelas superfícies isoladas preparadas para esse fim quando**

**executar uma operação em que o fixador possa entrar em contacto com cablagem escondida ou o próprio cabo.** Os fixadores que estabelecem contacto com um fio sob tensão poderão colocar peças metálicas expostas da ferramenta elétrica sob tensão e podem causar um choque elétrico no operador.

2. **Assegure sempre uma posição firme. Certifique-se de que ninguém se encontra sob locais elevados quando utiliza a ferramenta nestes locais.**
3. **Segure a ferramenta com firmeza.**
4. **Mantenha as mãos afastadas de peças rotativas.**
5. **Não toque na broca ou na peça de trabalho imediatamente após a operação; estas podem estar extremamente quentes e podem queimar a sua pele.**
6. **Fixe sempre a peça de trabalho num torno ou num dispositivo de retenção similar.**

## GUARDE ESTAS INSTRUÇÕES.

**⚠ AVISO: NÃO permita que o conforto ou a familiaridade com o produto (adquirido com o uso repetido) substitua a adesão estrita às regras de segurança da ferramenta.**

**A MÁ INTERPRETAÇÃO ou o não seguimento das regras de segurança estabelecidas neste manual de instruções pode causar danos pessoais graves.**

## DESCRIÇÃO DO FUNCIONAMENTO

### PRECAUÇÃO:

- Certifique-se sempre de que a ferramenta está desligada no interruptor e da tomada antes de proceder a ajustes ou testes à mesma.

## Ajuste da profundidade

**Para os modelos FS4000, FS4200, FS4300, FS6200, FS6300, FS6300R (Fig. 1)**

A profundidade pode ser ajustada rodando o anel de bloqueio. Rode-o na direcção "B" para menos profundidade e na direcção "A" para mais profundidade. Uma rotação total do anel de bloqueio é igual a uma alteração de 2,0 mm em profundidade.

**Para os modelos FS4000X, FS4300X, FS6300X (Fig. 2)**

A profundidade pode ser ajustada rodando a manga de bloqueio. Rode-o na direcção "A" para menos profundidade e na direcção "B" para mais profundidade. Uma rotação total da manga de bloqueio é igual a uma alteração de 1,5 mm em profundidade.

### Para todos os modelos

Ajuste o anel de bloqueio de forma a que a distância entre a ponta do anel de profundidade e a cabeça do parafuso seja aproximadamente 1 mm, tal como ilustrado.

Introduza um parafuso de teste no material ou numa peça de material duplicado. Se a profundidade ainda não for adequada para o parafuso, continue a ajustar até obter a profundidade correcta. (Fig. 3 e 4)

## Ação do interruptor (Fig. 5)

### PRECAUÇÃO:

- Antes de inserir a ficha da ferramenta na tomada, verifique se o gatilho está a funcionar correctamente e se volta à posição "OFF" quando o solta.

Para pôr a ferramenta a funcionar, prima o gatilho. A velocidade da ferramenta aumenta com a pressão exercida no gatilho. Para parar a ferramenta, solte o gatilho.

Para um funcionamento contínuo, puxe o gatilho e pressione o botão de bloqueio.

Para parar a ferramenta da posição de bloqueada, puxe totalmente o gatilho e solte-o.

### NOTA:

- Mesmo com o interruptor ligado e o motor a funcionar, a broca não rodará até que encaixe a ponta da broca na cabeça do parafuso e aplique pressão dianteira para engatar a embraiagem.

## Acender as lâmpadas

**Para os modelos FS4200, FS4300, FS4300X, FS6200, FS6300, FS6300R, FS6300X (Fig. 6)**

### PRECAUÇÃO:

- Não olhe directamente para a luz da ferramenta.

Para acender a lâmpada, prima o gatilho. Para a apagar, solte o gatilho.

### NOTA:

- Para limpar a lâmpada, utilize um tecido seco. Tenha cuidado para não riscar a lente da lâmpada, pois poderia diminuir a intensidade da iluminação.

## Inverter a direcção da rotação (Fig. 7)

### PRECAUÇÃO:

- Verifique sempre a direcção da rotação antes da operação.
- Este interruptor deve ser utilizado apenas quando a ferramenta estiver completamente parada. Se alterar a

direcção da rotação antes da ferramenta ter parado pode avariá-la.

Esta ferramenta tem um interruptor que permite inverter a direcção da rotação. Mova o manípulo de mudança de rotação para a posição ⇐ (lado A) para rotação no sentido dos ponteiros do relógio, ou para a posição ⇒ (lado B) para rotação no sentido contrário aos dos ponteiros do relógio.

## Gancho (Fig. 8)

O gancho é muito útil para pendurar a ferramenta quando necessário.

## MONTAGEM

### PRECAUÇÃO:

- Certifique-se sempre de que a ferramenta está desligada e com o cabo desligado da corrente antes de efectuar qualquer trabalho com a ferramenta.

## Instalar ou remover a broca

**Para os modelos FS4000, FS4200, FS4300, FS6200, FS6300, FS6300R**

Para remover a broca, retire o anel de profundidade puxando o anel de bloqueio para fora da caixa de engrenagens. (Fig. 9)

Segure na ponta com um alicate e puxe a broca para fora do suporte magnético de brocas. Por vezes, ajuda a agitar a ponta com o alicate à medida que puxa.

Para montar a broca, empurre-a com firmeza no suporte magnético de brocas. De seguida, monte o anel de profundidade, empurrando-o com firmeza na caixa de engrenagens. (Fig. 10)

**Para os modelos FS4000X, FS4300X, FS6300X**

Para remover a broca, primeiro retire o anel de profundidade da manga de bloqueio. De seguida, agarre na broca com um alicate e puxe a broca para fora do suporte magnético de brocas. Por vezes, ajuda a abanar a broca com o alicate à medida que puxa. (Fig. 11)

Para montar a broca, empurre-a com firmeza no suporte magnético de brocas. De seguida, monte o anel de profundidade, empurrando-o com firmeza na manga de bloqueio. (Fig. 12)

## Instalar o adaptador de cabo amovível

**Para o modelo FS6300R (Fig. 13)**

Insira ao máximo o adaptador de cabo amovível, de forma a que a marca  $\Delta$  numa das extremidades do adaptador de cabo amovível, no lado de ligação ao cabo da fonte de alimentação, esteja alinhada com a marca  $\text{Ⓜ}$  na outra extremidade do adaptador de cabo amovível, no lado da ligação à ferramenta.

Rode o adaptador de cabo amovível para a direita até que bloqueie com um botão de bloqueio. (Fig. 14)

Neste momento, a marca  $\Delta$  numa das extremidades do adaptador de cabo amovível, no lado de ligação ao cabo da fonte de alimentação, está alinhada com a marca  $\text{Ⓜ}$  na outra extremidade do adaptador de cabo amovível, no lado da ligação à ferramenta. (Fig. 15)

## Remover o adaptador de cabo amovível (Fig. 16)

Rode o adaptador de cabo amovível para a esquerda até que pare, ao mesmo tempo que prime a parte inferior do botão de bloqueio.

De seguida, puxe o adaptador de cabo amovível nessa posição. (Fig. 17)

## Utilização do suporte do anel de profundidade (Fig. 18)

O anel de profundidade pode ser colocado temporariamente no respectivo suporte durante a substituição da broca ou quando utilizar sem anel de profundidade. Para fixar o anel de profundidade, posicione os orifícios trapezoidais nas saliências do suporte do anel de profundidade e pressione-o.

## FUNCIONAMENTO (Fig. 19)

Coloque o parafuso na ponta da broca e coloque a ponta do parafuso na superfície da peça de trabalho a apertar. Aplique pressão na ferramenta e inicie-a. Retire a ferramenta logo que a embraiagem seja activada. De seguida, solte o gatilho.

### PRECAUÇÃO:

- Quando colocar o parafuso na ponta da broca, tenha cuidado para não pressionar o parafuso. Se o parafuso for pressionado, a embraiagem será accionada e o parafuso rodará repentinamente. Isto poderia danificar uma peça de trabalho ou provocar um ferimento.
- Certifique-se de que a broca está bem colocada na cabeça do parafuso, para não danificar o parafuso ou a broca.
- Quando efectuar uma operação, apenas segure na ferramenta pela pega. Não toque na parte metálica.

## MANUTENÇÃO

### PRECAUÇÃO:

- Certifique-se sempre de que a ferramenta está desligada no interruptor e da tomada antes de inspeccionar ou fazer a manutenção da ferramenta.
- Nunca utilize gasolina, benzina, diluente, álcool ou semelhante. Podem formar-se descolorações, deformações ou fissuras.

Para manter os níveis de SEGURANÇA e FIABILIDADE, as reparações, inspeção e substituição das escovas de carvão e outras operações de manutenção ou ajuste devem ser executadas por centros de assistência Makita autorizados e, no caso de substituição de peças, estas devem ser igualmente peças originais Makita.

## ACESSÓRIOS OPCIONAIS

### ⚠ PRECAUÇÃO:

- Os seguintes acessórios ou extensões são os recomendados para utilizar com a ferramenta Makita especificada neste manual. A utilização de quaisquer outros acessórios poderá representar um risco de ferimento para as pessoas. Apenas utilize o acessório para o fim indicado.

Se precisar de informações adicionais relativas aos acessórios, contacte o centro local de assistência Makita.

- Brocas Phillips
- Suporte magnético de brocas
- Anel de profundidade
- Saco de transporte de plástico

### NOTA:

- Alguns itens na lista podem estar incluídos no pacote de ferramentas como acessórios de série. Podem diferir de país para país.

### Ruído

ENG905-1

Os níveis acústicos ponderados A típicos foram determinados segundo a EN62841:

**Modelos FS4000, FS4000X, FS4200, FS4300, FS4300X, FS6300, FS6300R, FS6300X**

Nível de pressão sonora ( $L_{pA}$ ): 82 dB (A)

Nível de potência sonora ( $L_{WA}$ ): 93 dB (A)

Imprecisão (K): 3 dB (A)

**Use protecção para os ouvidos.**

### Vibração

ENG900-1

O valor total da vibração (soma triaxial de vectores) foi determinado segundo a EN62841:

**Modelos FS4000, FS4000X, FS4200, FS4300, FS4300X, FS6300, FS6300R, FS6300X**

Modo de trabalho: aparafusamento sem percussão

Emissão de vibração ( $a_h$ ): 2,5 m/s<sup>2</sup> ou menos

Imprecisão (K): 1,5 m/s<sup>2</sup>

ENG901-1

- O valor da emissão de vibração declarado foi medido de acordo com o método de teste padrão e pode ser utilizado para comparar uma ferramenta com outra.
- O valor da emissão de vibração declarado pode também ser utilizado numa avaliação preliminar de exposição.

### ⚠ AVISO:

- A emissão de vibração durante a utilização real da ferramenta eléctrica pode ser diferente do valor de emissão declarado, dependendo da forma como a ferramenta é utilizada.
- Certifique-se de que identifica medidas de segurança, para proteger o operador, que são baseadas numa estimativa de exposição nas condições reais de utilização (tendo em conta todas as partes do ciclo de funcionamento, como as vezes que a ferramenta é desligada e quando está a trabalhar ao ralenti, além do tempo de utilização).

### Declaração de conformidade CE

#### **Apenas para os países europeus**

A declaração de conformidade CE está incluída como Anexo A neste manual de instruções.

## DANSK (Originalvejledning)

### Forklaring til generel oversigt

- |                 |                        |                          |
|-----------------|------------------------|--------------------------|
| 1. Låsering     | 6. Lampe               | 11. Magnetisk bitholder  |
| 2. Låsekraave   | 7. Skiffekontaktåndtag | 12. Udbulinger           |
| 3. Skrueforsats | 8. Krog                | 13. Trapezformede huller |
| 4. Afbryder     | 9. Gearhus             | 14. Skrueforsatsholder   |
| 5. Låseknap     | 10. Bit                |                          |

## SPECIFIKATIONER

| Model  |                    | FS4000    | FS4000X | FS4200 | FS4300 | FS4300X | FS6200    | FS6300 | FS6300R | FS6300X |  |
|--|--------------------|-----------|---------|--------|--------|---------|-----------|--------|---------|---------|--|
| Kapaciteter                                    | Selvskærende skrue | 6 mm      |         |        |        |         | -         |        |         |         |  |
|  | Gipsskrue          | 5 mm      |         |        |        |         | 4 mm      |        |         |         |  |
| Hastighed uden belastning (min <sup>-1</sup> ) |                    | 0 - 4.000 |         |        |        |         | 0 - 6.000 |        |         |         |  |
| Længde i alt                                   |                    | 269 mm    | 284 mm  | 269 mm | 279 mm | 293 mm  | 269 mm    | 279 mm | 279 mm  | 293 mm  |  |
| Nettovægt                                      |                    | 1,3 kg    |         |        | 1,4 kg |         |           |        |         |         |  |
| Sikkerhedsklasse                               |                    | □/II      |         |        |        |         |           |        |         |         |  |

- På grund af vores løbende forsknings- og udviklingsprogram kan specifikationerne heri ændres uden forudgående varsel.
- Specifikationerne kan variere fra land til land.
- Vægt i henhold til EPTA-procedure 01/2014

### Tilsigtet brug

ENE033-1

Værktøjet er beregnet til at skrue skrue i træ, metal og plastik.

### Strømforsyning

ENF002-2

Værktøjet bør kun slutes til en strømforsyning med den spænding, der er angivet på mærkepladen, og det kan kun benyttes med enkelfaset vekselstrøm. Det er dobbelt isoleret og kan derfor også slutes til stikkontakter uden jordforbindelse.

## Almindelige sikkerhedsregler for el-værktøj

GEA010-2

**⚠ ADVARSEL: Læs alle de sikkerhedsadvarsler, instruktioner, illustrationer og specifikationer, der følger med denne maskine.** Forsømmelse af at overholde alle nedenstående instruktioner kan medføre elektrisk stød, brand og/eller alvorlig personskade.

## Gem alle advarsler og instruktioner til fremtidig reference.

Ordet "el-værktøj" i advarslerne henviser til det netforsynede (netledning) el-værktøj eller batteriforsynede (akku) el-værktøj.

## SIKKERHEDSADVARSLER FOR SKRUETRÆKKER

GEB135-1

1. Hold maskinen i de isolerede håndtagsflader, når der udføres et arbejde, hvor fastgørelsesmidlet kan komme i kontakt med skjulte ledninger eller

**maskinens egen ledning.** Fastgørelsesmidler, der kommer i kontakt med en strømførende ledning, kan bewirke, at udsatte metaldele på maskinen bliver strømførende, hvorved operatøren kan få elektrisk stød.

2. **Sørg altid for, at du har et godt fodfæste.** Sørg for, at der ikke befinder sig nogen under dig, når maskinen anvendes på højtliggende steder.
3. **Hold godt fast i maskinen.**
4. **Hold hænderne på afstand af roterende dele.**
5. **Rør ikke ved bitten eller arbejdsemnet umiddelbart efter anvendelse.** De kan begge være meget varme og forårsage forbrænding af huden.
6. **Fastgør altid arbejdsemnet i en skruestik eller lignende udstyr til fastgørelse.**

## GEM DENNE BRUGSANVISNING.

**⚠ ADVARSEL: LAD IKKE bekvemmelighed eller kendskab til produktet (opnået gennem gentagen brug) forhindre, at sikkerhedsforskrifterne for produktet nøje overholdes.** MISBRUG eller forsømmelse af at følge de i denne brugsvejledning givne sikkerhedsforskrifter kan føre til, at De kommer alvorligt til skade.

## FUNKTIONSBESKRIVELSE

### FORSIGTIG:

- Sørg altid for, at værktøjet er slukket, og at stikket er taget ud af stikkontakten, før du justerer værktøjet eller kontrollerer dets funktion.

## Dybdejustering

For model **FS4000, FS4200, FS4300, FS6200, FS6300, FS6300R (Fig. 1)**

Dybden kan justeres ved at dreje låseringen. Drej den i retning mod "B" for mindre dybde og i retning mod "A" for større dybde. En hel omdrejning af låseringen svarer til en ændring på 2,0 mm i dybden.

For model **FS4000X, FS4300X, FS6300X (Fig. 2)**

Dybden kan justeres ved at dreje på låsekraven. Drej den i retning mod "A" for mindre dybde og i retning mod "B" for større dybde. En hel omdrejning af låsekraven svarer til en ændring på 1,5 mm i dybden.

For alle modeller

Juster låseringen sådan at afstanden mellem spidsen på skrueforsatsen og skruehovedet er cirka 1 mm som vist på figurerne. Prøv at skrue en skrue i materialet eller i et stykke tilsvarende materiale. Hvis dybden stadig ikke passer til skruen, skal du fortsætte med at justere, indtil du opnår den rigtige dybdeindstilling. (Fig. 3 og 4)

## Betjening af afbryderen (Fig. 5)

**FORSIGTIG:**

- Før værktøjet tilsluttes skal du altid kontrollere, at afbryderen reagerer korrekt og vender tilbage til "OFF"-stillingen, når du slipper den.

For at starte værktøjet skal du blot trykke på afbryderen.

Værktøjets hastighed forøges ved at trykke hårdere på afbryderen. Slip afbryderen for at stoppe værktøjet.

Hvis værktøjet skal bruges i længere tid ad gangen, skal du trykke på afbryderen og derefter trykke låseknappen ind.

Når du vil stoppe værktøjet fra den låste position, skal du trykke afbryderen helt ind og derefter slippe den.

**BEMÆRK:**

- Selv når afbryderen er tændt og motoren kører, roterer bitten ikke, før du sætter spidsen af bitten ind i skruehovedet og presser fremad for at aktivere koblingen.

## Tænding af lamperne

For model **FS4200, FS4300, FS4300X, FS6200, FS6300, FS6300R, FS6300X (Fig. 6)**

**FORSIGTIG:**

- Se ikke direkte ind i lyset eller lyskilden. Træk i afbryderen for at tænde lampen. Slip afbryderen for at slukke den.

**BEMÆRK:**

- Benyt en tør klud til at tørre snavs af lampens linse. Pas på ikke at ridse lampens linse, da det kan mindske lysstyrken.

## Betjening af skiftekontakten (Fig. 7)

**FORSIGTIG:**

- Kontroller altid rotationsretningen før anvendelsen.
- Betjen ikke skiftekontakten, før værktøjet er helt stoppet. Hvis rotationsretningen ændres, inden værktøjet er helt stoppet, kan det beskadige værktøjet.

Værktøjet har en skiftekontakt til at ændre rotationsretningen. Flyt skiftekontakten til  $\leftrightarrow$  -positionen

(A-siden) for rotation med uret eller til  $\Rightarrow$  -positionen (B-siden) for rotation mod uret.

## Krog (Fig. 8)

Krogen er nyttig til midlertidig ophængning af værktøjet.

## MONTERING

**FORSIGTIG:**

- Sørg altid for, at værktøjet er slukket og taget ud af stikkontakten, før du udfører nogen form for arbejde på værktøjet.

### Montering eller afmontering af bitten

For model **FS4000, FS4200, FS4300, FS6200, FS6300, FS6300R**

For at afmontere bitten, skal du først tage skrueforsatsen af ved at trække låseringen væk fra gearhuset. (Fig. 9)

Tag fat i bitten med en tang og træk bitten ud af den magnetiske bitholder.

Nogle gange hjælper det at vrikke i bitten med tangen, når du trækker i den.

Monter bitten ved at trykke den helt ind i den magnetiske bitholder. Monter derefter skrueforsatsen ved at skubbe den helt tilbage på gearhuset. (Fig. 10)

For model **FS4000X, FS4300X, FS6300X**

For at fjerne bitten skal du første trække skrueforsatsen ud af låsekraven. Tag derefter fat i bitten med en tang og træk bitten ud af den magnetiske bitholder. Nogle gange hjælper det at vrikke i bitten med tangen, når du trækker i den. (Fig. 11)

Monter bitten ved at trykke den helt ind i den magnetiske bitholder. Monter derefter skrueforsatsen ved at skubbe den ordentligt tilbage på låsekraven. (Fig. 12)

### Montering af aftagelig ledningsadapter

For model **FS6300R (Fig. 13)**

Sæt den aftagelige ledningsadapter så langt ind den kan komme, sådan at markeringen  $\Delta$  på den ende af den aftagelige ledningsadapter, på den side der tilslutter strømforsyningsledningen, er justeret ind med markeringen  $\emptyset$  på den anden ende af den aftagelige ledningsadapter, på den side der tilslutter til værktøjet. Drej den aftagelige ledningsadapter med uret indtil den låses med en låseknop. (Fig. 14)

På dette tidspunkt er markeringen  $\Delta$  på den ene ende af den aftagelige ledningsadapter på strømforsyningsledningens side, justeret ind med markeringen  $\emptyset$  på den anden ende af den aftagelige ledningsadapter på den side, der slutter til værktøjet. (Fig. 15)

### Aftagning af den aftagelige ledningsadapter (Fig. 16)

Drej den aftagelige ledningsadapter mod uret indtil den stopper, mens du trykker på den nederste del af låseknappen.

Træk derefter i den aftagelige ledningsadapter fra den position. (Fig. 17)

### Brug af skrueforsatsholderen (Fig. 18)

Skrueforsatsen kan midlertidigt placeres på skrueforsatsholderen under udskiftning af bit eller under

brug uden skrueforsats. For at holde skrueforsatsen, skal de trapezformede huller i skrueforsatsen placeres på udbulingerne på skrueforsatsen og skubbes ind.

## BETJENING (Fig. 19)

Placer skruen på spidsen af bitten og placer derefter skruespidsen på overfladen af det arbejdsemne, der skal fastgøres. Tryk på værktøjet og start det. Træk tilbage i værktøjet så snart koblingen sætter ind. Slip derefter afbryderen.

### FORSIGTIG:

- Pas på ikke at trykke ind på skruen, når du placerer skruen på bitspidsen. Hvis der trykkes ind på skruen, aktiveres koblingen, og skruen begynder pludselig at dreje rundt. Dette kan beskadige arbejdsemnet eller medføre personskaade.
- Sørg for, at bitten sættes lige ned i skruehovedet, ellers kan skruen og/eller bitten blive beskadiget.
- Hold kun i håndtaget når der arbejdes med værktøjet. Undlad at røre ved metaldelen.

## VEDLIGEHODELSE

### FORSIGTIG:

- Sørg altid for, at værktøjet er slukket, og at stikket er taget ud, før du udfører inspektion eller vedligeholdelse.
- Brug aldrig benzin, benzen, fortynder, alkohol eller lignende. Det kan muligvis medføre misfarvning, deformation eller revner.

For at holde produktet SIKKERT og PÁLIDELIGT skal reparationer, kontrol og udskiftning af kulbørsterne samt al anden vedligeholdelse eller justering udføres af autoriserede Makita-servicecentre, der altid benytter Makita-reservedele.

## EKSTRAUDSTYR

### FORSIGTIG:

- Dette tilbehør eller ekstraudstyr anbefales til brug med det Makita-værktøj, som er beskrevet i denne brugsanvisning. Brug af andet tilbehør eller ekstraudstyr kan forårsage personskaade. Brug kun tilbehør eller ekstraudstyr til det formål, det er beregnet til.

Henvend dig til dit lokale Makita-servicecenter, hvis du har brug for hjælp eller yderligere oplysninger vedrørende tilbehøret.

- Phillips bits
- Magnetisk bitholder
- Skrueforsats
- Plastikbæretaske

### BEMÆRK:

- Visse dele på listen er muligvis indeholdt maskinindpakningen som standardtilbehør. De kan variere fra land til land.

## Støj

ENG905-1

Det typiske A-vægtede støjniveau bestemt i overensstemmelse med EN62841:

**Model FS4000, FS4000X, FS4200, FS4300, FS4300X, FS6300, FS6300R, FS6300X**  
Lydtryksniveau ( $L_{pA}$ ): 82 dB (A)  
Lydeffektniveau ( $L_{WA}$ ): 93 dB (A)  
Usikkerhed (K): 3 dB (A)

**Bær høreværn.**

## Vibration

ENG900-1

Den samlede vibrationsværdi (treksiel vektorsum) bestemt i overensstemmelse med EN62841:

**Model FS4000, FS4000X, FS4200, FS4300, FS4300X, FS6300, FS6300R, FS6300X**  
Arbejdstilstand: skruning uden pres  
Vibrationsemission ( $a_h$ ): 2,5 m/s<sup>2</sup> eller mindre  
Usikkerhed (K): 1,5 m/s<sup>2</sup>

ENG901-1

- Den opgivne vibrationsemissionsværdi er målt i overensstemmelse med standardtestmetoden og kan bruges til at sammenligne et værktøj med et andet.
- Den opgivne vibrationsemissionsværdi kan muligvis også bruges til en indledende eksponeringsvurdering.

### ADVARSEL:

- Vibrationsemissionen under den faktiske brug af maskinen kan afvige fra den opgivne emissionsværdi afhængigt af den måde, maskinen anvendes på.
- Sørg for at bestemme sikkerhedsforanstaltninger for beskyttelse af operatøren, som er baseret på en eksponeringsvurdering for brug under faktiske forhold (hvor alle anvendelsescyklussens dele inddrages, som f.eks. antal gange maskinen slukkes, og når den kører i tomgang ud over trigger tiden).

## EF-overensstemmelseserklæring

### **Kun for europæiske lande**

EF-overensstemmelseserklæringen er inkluderet som appendiks A til denne betjeningsvejledning.

# ΕΛΛΗΝΙΚΑ (Πρωτογενείς οδηγίες)

## Γενική περιγραφή

- |                           |                         |                              |
|---------------------------|-------------------------|------------------------------|
| 1. Ασφαλιστικός δακτύλιος | 6. Λάμπα                | 11. Μαγνητικό στήριγμα μύτης |
| 2. Ασφαλιστικός βραχιόνας | 7. Αναστροφικό          | 12. Διογκώματα               |
| 3. Εντοπιστής             | 8. Γάντζος              | 13. Τραπεζοειδείς τρύπες     |
| 4. Σκανδάλη-διακόπτης     | 9. Κέλυφος οδοντοτροχών | 14. Στήριγμα εντοπιστή       |
| 5. Κουμπί κλειδώματος     | 10. Μύτη                |                              |

## ΠΡΟΔΙΑΓΡΑΦΕΣ

| Μοντέλο                                    |                     | FS4000    | FS4000X | FS4200 | FS4300 | FS4300X | FS6200    | FS6300 | FS6300R | FS6300X |
|--|---------------------|-----------|---------|--------|--------|---------|-----------|--------|---------|---------|
| Δυνατότητες                                | Αυτοπρωθούμενη βίδα | 6 mm      |         |        |        |         | -         |        |         |         |
|  | Τσιμεντόβίδα        | 5 mm      |         |        |        |         | 4 mm      |        |         |         |
| Ταχύτητα χωρίς φορτίο (min <sup>-1</sup> ) |                     | 0 - 4.000 |         |        |        |         | 0 - 6.000 |        |         |         |
| Ολικό μήκος                                |                     | 269 mm    | 284 mm  | 269 mm | 279 mm | 293 mm  | 269 mm    | 279 mm | 279 mm  | 293 mm  |
| Καθαρό βάρος                               |                     | 1,3 kg    |         |        | 1,4 kg |         |           |        |         |         |
| Τάξη ασφάλειας                             |                     | II/II     |         |        |        |         |           |        |         |         |

- Λόγω του συνεχόμενου προγράμματος που εφαρμόζουμε για έρευνα και ανάπτυξη, τα τεχνικά χαρακτηριστικά στο παρόν έντυπο υπόκεινται σε αλλαγή χωρίς προειδοποίηση.
- Τα τεχνικά χαρακτηριστικά ενδέχεται να διαφέρουν ανάλογα με τη χώρα.
- Βάρος σύμφωνα με τη διαδικασία ΕΡΤΑ 01/2014

### Προοριζόμενη χρήση

ENE033-1

Το εργαλείο προορίζεται για βίδωμα σε ξύλο, μέταλλο και πλαστικό.

### Ηλεκτρική παροχή

ENF002-2

Το εργαλείο πρέπει να συνδέεται μόνο σε ηλεκτρική παροχή της ίδιας τάσης με αυτήν που αναγράφεται στην πινακίδα ονομαστικών τιμών και μπορεί να λειτουργήσει μόνο με εναλλασσόμενο μονοφασικό ρεύμα. Τα εργαλεία αυτά διαθέτουν διπλή μόνωση και συνεπώς μπορούν να συνδεθούν με πρίζες χωρίς γείωση.

## Γενικές προειδοποιήσεις ασφαλείας για το ηλεκτρικό εργαλείο

GEA010-2

**⚠ ΠΡΟΕΙΔΟΠΟΙΗΣΗ:** Διαβάστε όλες τις προειδοποιήσεις ασφαλείας, οδηγίες, εικονογραφίες και προδιαγραφές που παρέχονται με αυτό το ηλεκτρικό εργαλείο. Η μη τήρηση όλων των οδηγιών που αναγράφονται κατωτέρω μπορεί να καταλήξει σε ηλεκτροπληξία, πυρκαγιά ή/και σοβαρό τραυματισμό.

## Φυλάξτε όλες τις προειδοποιήσεις και τις οδηγίες για μελλοντική παραπομπή.

Στις προειδοποιήσεις, ο όρος "ηλεκτρικό εργαλείο" αναφέρεται σε ηλεκτρικό εργαλείο που τροφοδοτείται από την κύρια παροχή ηλεκτρικού ρεύματος (με ηλεκτρικό καλώδιο) ή σε ηλεκτρικό εργαλείο που τροφοδοτείται από μπαταρία (χωρίς ηλεκτρικό καλώδιο).

## ΠΡΟΕΙΔΟΠΟΙΗΣΕΙΣ ΑΣΦΑΛΕΙΑΣ ΓΙΑ ΤΟ ΚΑΤΣΑΒΙΔΙ

GEB135-1

1. **Να κρατάτε το ηλεκτρικό εργαλείο από τις λαβές με μόνωση όταν εκτελείτε εργασίες κατά τις οποίες ο συνδετήρας μπορεί να έρθει σε επαφή με κρυμμένα καλώδια ή με το ίδιο του το καλώδιο.** Αν ο συνδετήρας έρθει σε επαφή με κάποιο ηλεκτροφόρο καλώδιο, μπορεί τα εκτεθειμένα μεταλλικά μέρη του ηλεκτρικού εργαλείου να γίνουν κι αυτά ηλεκτροφόρα και να προκληθεί ηλεκτροπληξία στο χειριστή.
2. **Να φροντίζετε πάντα να στέκεστε σταθερά.** Βεβαιωθείτε ότι δεν υπάρχει άτομο ακριβώς από κάτω, όταν χρησιμοποιείτε το ηλεκτρικό εργαλείο σε υψηλά σημεία.
3. **Να κρατάτε το εργαλείο σταθερά.**
4. **Να διατηρείτε τα χέρια σας μακριά από τα περιστρεφόμενα μέρη.**
5. **Μην αγίζετε τη μύτη ή το τεμάχιο εργασίας αμέσως μετά τη λειτουργία του εργαλείου.** Μπορεί να είναι εξαιρετικά θερμά και να προκληθεί έγκαυμα στο δέρμα σας.
6. **Να ασφαλίσετε πάντα τα τεμάχια εργασίας σε μέγγνη ή παρόμοια διάταξη συγκράτησης.**

## ΦΥΛΑΞΤΕ ΤΙΣ ΟΔΗΓΙΕΣ ΑΥΤΕΣ.

**⚠ ΠΡΟΕΙΔΟΠΟΙΗΣΗ:** ΜΗΝ επιτρέψετε στην άνεση ή στην εξοικείωσή σας με το προϊόν (που αποκτήθηκε από επανειλημμένη χρήση) να αντικαταστήσει την αυστηρή τήρηση των κανόνων ασφαλείας του παρόντος εργαλείου.

**Η ΑΝΘΑΣΜΕΝΗ ΠΡΟΣΕΧΙΑ ή η αμέλεια να ακολουθήσετε τους κανόνες ασφαλείας που διατυπώνονται στο παρόν εγχειρίδιο οδηγιών μπορεί να προκαλέσει σοβαρό προσωπικό τραυματισμό.**



# ΠΕΡΙΓΡΑΦΗ ΛΕΙΤΟΥΡΓΙΑΣ

## ΠΡΟΣΟΧΗ:

- Να βεβαιώνετε πάντοτε ότι το εργαλείο είναι σβηστό και αποσυνδεδεμένο από το ηλεκτρικό ρεύμα πριν ρυθμίσετε ή ελέγξετε κάποια λειτουργία του.

## Ρύθμιση βάθους

Για τα μοντέλα **FS4000, FS4200, FS4300, FS6200, FS6300, FS6300R (Εικ. 1)**

Η ρύθμιση του βάθους μπορεί να γίνει περιστρέφοντας τον ασφαλιστικό δακτύλιο. Στέψτε τον προς την κατεύθυνση "B" για μικρότερο βάθος και προς την κατεύθυνση "A" για μεγαλύτερο. Μια πλήρης περιστροφή του ασφαλιστικού δακτυλίου ισοδυναμεί με αλλαγή βάθους 2,0 mm.

Για τα μοντέλα **FS4000X, FS4300X, FS6300X (Εικ. 2)**

Η ρύθμιση του βάθους μπορεί να γίνει περιστρέφοντας τον ασφαλιστικό βραχίονα. Στέψτε τον προς την κατεύθυνση "A" για μικρότερο βάθος και προς την κατεύθυνση "B" για μεγαλύτερο. Μια πλήρης περιστροφή του ασφαλιστικού βραχίονα ισοδυναμεί με αλλαγή βάθους 1,5 mm.

## Για όλα τα μοντέλα

Ρυθμίστε το κλειδίωμα έτσι ώστε η απόσταση μεταξύ της άκρης του εντοπιστή και της κεφαλής της βίδας να είναι περίπου 1 mm όπως δείχνεται στα σχεδιαγράμματα. Βιδώστε μια δοκιμαστική βίδα μέσα στο υλικό σας ή σε ένα πανομοιότυπο υλικό. Εάν ακόμη το βίδος δεν είναι κατάλληλη για τη βίδα, συνεχίστε τη ρύθμιση έως ότου να αποκτήσετε την κατάλληλη ρύθμιση για το βάθος. **(Εικ. 3 και 4)**

## Δράση διακόπτη (Εικ. 5)

### ΠΡΟΣΟΧΗ:

- Πριν συνδέετε το εργαλείο, πάντοτε να ελέγχετε ότι η σκανδάλη-διακόπτης ενεργοποιείται κανονικά και επιστρέφει στη θέση "OFF" όταν την αφήνετε.
- Για να ξεκινήσετε το εργαλείο, απλά πατήστε τη σκανδάλη-διακόπτη. Αν αυξήσετε την πίεση στη σκανδάλη-διακόπτη, αυξάνεται η ταχύτητα του εργαλείου. Για να σταματήσετε το εργαλείο, αφήστε την σκανδάλη-διακόπτη.
- Για συνεχόμενη λειτουργία, πατήστε τη σκανδάλη-διακόπτη και κατόπιν πατήστε το κουμπί ασφαλίσης. Για να βγάλετε το εργαλείο από την κλειδωμένη θέση, πιέστε εντελώς τη σκανδάλη-διακόπτη και κατόπιν αφήστε την.

### ΣΗΜΕΙΩΣΗ:

- Ακόμη και αν η σκανδάλη είναι ενεργή και το μοτέρ σε λειτουργία, η μύτη δεν θα περιστραφεί έως ότου τοποθετήσετε τη μύτη πάνω στην κεφαλή της βίδας και ασκήσετε πίεση προς τα εμπρός για να εμπλακεί ο συμπλέκτης.

## Άναμμα των λαμπών

Για τα μοντέλα **FS4200, FS4300, FS4300X, FS6200, FS6300, FS6300R, FS6300X (Εικ. 6)**

### ΠΡΟΣΟΧΗ:

- Μην κοιτάτε κατευθείαν μέσα στο φως ή στην πηγή του φωτός.

Για να ανάψετε τη λάμπα, τραβήξτε τη σκανδάλη. Για να τη σβήσετε, αφήστε τη σκανδάλη.

### ΣΗΜΕΙΩΣΗ:

- Χρησιμοποιήστε ένα στεγνό πανί για να σκουπίσετε την σκόνη από το φακό της λάμπας. Προσέχετε να μη γρατσουνίσετε το φακό της λάμπας, επειδή μπορεί να μειωθεί η ένταση του φωτισμού.

## Δράση αναστροφικού (Εικ. 7)

### ΠΡΟΣΟΧΗ:

- Πριν από τη λειτουργία, να ελέγχετε πάντοτε την κατεύθυνση περιστροφής.
- Να χρησιμοποιείτε το αναστροφικό μόνο όταν το εργαλείο είναι εντελώς ακινητοποιημένο. Αν αλλάξετε την κατεύθυνση περιστροφής πριν ακινητοποιηθεί το εργαλείο, μπορεί να προκληθεί βλάβη στο εργαλείο. Το εργαλείο αυτό διαθέτει αναστροφικό για να αλλάξετε την κατεύθυνση περιστροφής. Μετακινήστε το αναστροφικό στη θέση ⇐ (πλευρά A) για δεξιόστροφη περιστροφή ή στη θέση ⇒ (πλευρά B) για αριστερόστροφη περιστροφή.

## Γάντζος (Εικ. 8)

Ο γάντζος χρησιμεύει για το προσωρινό κρέμασμα του εργαλείου.

## ΣΥΝΑΡΜΟΛΟΓΗΣΗ

### ΠΡΟΣΟΧΗ:

- Να βεβαιώνετε πάντοτε ότι το εργαλείο είναι σβηστό και αποσυνδεδεμένο από το ηλεκτρικό ρεύμα πριν εκτελέσετε οποιαδήποτε εργασία σε αυτό.

## Τοποθέτηση ή αφαίρεση της μύτης

Για τα μοντέλα **FS4000, FS4200, FS4300, FS6200, FS6300, FS6300R**

Για να αφαιρέσετε τη μύτη, πρώτα αφαιρέστε τον εντοπιστή τραβώντας μακριά τον ασφαλιστικό δακτύλιο από το κέλυφος των οδοντοτροχών. **(Εικ. 9)** Πιάστε τη μύτη με μια τανάλια και τραβήξτε την έξω από το μαγνητικό στήριγμα της μύτης. Μερικές φορές θα βοηθηθείτε εάν στριφογυρίσετε τη μύτη με την τανάλια καθώς την τραβάτε.

Για να τοποθετήσετε τη μύτη, στρώξετε την γερά μέσα στο μαγνητικό στήριγμα της μύτης. Μετά τοποθετήστε τον εντοπιστή στρώχνοντάς τον γερά προς τα πίσω πάνω στο κέλυφος των οδοντοτροχών. **(Εικ. 10)**

Για τα μοντέλα **FS4000X, FS4300X, FS6300X**

Για να αφαιρέσετε τη μύτη, πρώτα τραβήξτε τον εντοπιστή έξω από τον ασφαλιστικό βραχίονα. Μετά πιάστε τη μύτη με μια τανάλια και τραβήξτε την έξω από το μαγνητικό στήριγμα της μύτης. Μερικές φορές θα βοηθηθείτε εάν στριφογυρίσετε τη μύτη με την τανάλια καθώς την τραβάτε. **(Εικ. 11)**

Για να τοποθετήσετε τη μύτη, στρώξετε την γερά μέσα στο μαγνητικό στήριγμα της μύτης. Μετά τοποθετήστε τον εντοπιστή στρώχνοντάς τον γερά προς τα πίσω πάνω στον ασφαλιστικό βραχίονα. **(Εικ. 12)**

## Τοποθέτηση του αποσπώμενου προσαρμογέα καλωδίου

### Για το μοντέλο FS6300R (Εικ. 13)

Εισάγετε τον αποσπώμενο προσαρμογέα καλωδίου όσο βαθιά μπορεί να πάει έτσι ώστε η ένδειξη  $\Delta$  στο ένα άκρο του αποσπώμενου προσαρμογέα καλωδίου στην πλευρά της σύνδεσης με το καλώδιο παροχής ρεύματος να είναι ευθυγραμμισμένη με την ένδειξη  $\text{⏏}$  του άλλου άκρου του αποσπώμενου προσαρμογέα καλωδίου στην πλευρά της σύνδεσης με το εργαλείο.

Περιστρέψτε τον αποσπώμενο προσαρμογέα καλωδίου προς τα δεξιά έως ότου να κλειδώσει με το κουμπί ασφαλείας. (Εικ. 14)

Και στη στιγμή αυτή η ένδειξη  $\Delta$  στο ένα άκρο του αποσπώμενου προσαρμογέα καλωδίου στην πλευρά της σύνδεσης με το καλώδιο παροχής ρεύματος είναι ευθυγραμμισμένη με την ένδειξη  $\text{⏏}$  του άλλου άκρου του αποσπώμενου προσαρμογέα καλωδίου στην πλευρά σύνδεσης με το εργαλείο. (Εικ. 15)

## Τοποθέτηση ή αφαίρεση του αποσπώμενου προσαρμογέα καλωδίου (Εικ. 16)

Περιστρέψτε τον αποσπώμενο προσαρμογέα καλωδίου προς τα αριστερά έως ότου σταματήσει καθώς πιέζετε το κάτω μέρος του κουμπιού ασφαλείας.

Μετά τραβήξτε από αυτή τη θέση τον αποσπώμενο προσαρμογέα καλωδίου. (Εικ. 17)

## Χρήση του στηρίγματος του εντοπιστή (Εικ. 18)

Ο εντοπιστής μπορεί να κρατηθεί προσωρινά πάνω στο στηρίγμα του κατά την διάρκεια της αντικατάστασης της μύτης ή κατά την λειτουργία χωρίς την χρήση του εντοπιστή. Για να στηρίξετε τον εντοπιστή, τοποθετήστε τις τραπεζοειδείς τρύπες του εντοπιστή πάνω στα διογκώματα του στηρίγματος του εντοπιστή και σπρώξτε τον μέσα.

## ΛΕΙΤΟΥΡΓΙΑ (Εικ. 19)

Τοποθετήστε τη βίδα στο άκρο της μύτης και τοποθετήστε το άκρο της βίδας στην επιφάνεια του τεμαχίου εργασίας που πρόκειται να στερεωθεί. Εφαρμόστε πίεση στο εργαλείο και θέστε το σε λειτουργία. Τραβήξτε το εργαλείο μόλις ολοκληρωθεί ο συμπλέκτης. Μετά αφήστε τη σκανδάλη-διακόπτη.

### ΠΡΟΣΟΧΗ:

- Κατά την τοποθέτηση της βίδας στην άκρη της μύτης, προσέξτε να μην την σπρώξετε μέσα στη βίδα. Εάν σπρωχθεί μέσα η βίδα, θα εμπλακεί ο συμπλέκτης και η βίδα θα αρχίζει ξαφνικά να περιστρέφεται. Αυτό μπορεί να προκαλέσει ζημιά στο τεμάχιο εργασίας ή τραυματισμό.
- Βεβαιωθείτε ότι τοποθετήσατε τη μύτη σε ευθεία μέσα στην κεφαλή της βίδας, διαφορετικά μπορεί να προκληθεί βλάβη στη βίδα ή/και στη μύτη.
- Κρατήστε το εργαλείο μόνο από τη λαβή όταν εκτελείτε κάποια εργασία. Μην αγγίζετε το μεταλλικό τμήμα.

## ΣΥΝΤΗΡΗΣΗ

### ΠΡΟΣΟΧΗ:

- Να βεβαιώνεστε πάντοτε ότι το εργαλείο είναι σβηστό και αποσυνδεδεμένο από το ηλεκτρικό ρεύμα πριν εκτελέσετε οποιαδήποτε εργασία ελέγχου ή συντήρησης σε αυτό.

- Μην χρησιμοποιήσετε βενζίνη, βενζόλη, διαλυτικό, αλκοόλη ή κάτι παρόμοιο. Μπορεί να προκληθεί αποχρωματισμός, παραμόρφωση ή ρωγμές.

Για να διατηρείται η ΑΣΦΑΛΕΙΑ και η ΑΞΙΟΠΙΣΤΙΑ του προϊόντος, οι εργασίες επισκευής, ο έλεγχος και η αλλαγή των καρβουνακίων, καθώς και οποιαδήποτε άλλη εργασία συντήρησης και ρύθμισης, θα πρέπει να εκτελούνται σε εξουσιοδοτημένα κέντρα εξυπηρέτησης της Makita, και πάντοτε με τη χρήση ανταλλακτικών της Makita.

## ΠΡΟΑΙΡΕΤΙΚΑ ΑΞΕΣΟΥΑΡ

### ⚠️ ΠΡΟΣΟΧΗ:

- Συνιστάται η χρήση αυτών των αξεσουάρ ή εξαρτημάτων με το εργαλείο της Makita, όπως περιγράφεται στο παρόν εγχειρίδιο. Αν χρησιμοποιήσετε άλλα αξεσουάρ ή εξαρτήματα μπορεί να παρουσιαστεί κίνδυνος για πρόκληση τραυματισμού προσώπων. Να χρησιμοποιείτε τα αξεσουάρ και τα εξαρτήματα μόνο για το σκοπό για τον οποίο προορίζονται.

Αν χρειάζεστε κάποια βοήθεια ή περισσότερες πληροφορίες σχετικά με τα αξεσουάρ αυτά, απευθυνθείτε στο πλησιέστερο κέντρο εξυπηρέτησης της Makita.

- Ένθετες μύτες σχήματος σταυρού (Phillips)
- Μαγνητικό στηρίγμα μύτης
- Εντοπιστής
- Πλαστική θήκη μεταφοράς

### ΣΗΜΕΙΩΣΗ:

- Ορισμένα από τα στοιχεία της λίστα μπορεί να περιέχονται στην συσκευασία του εργαλείου ως κανονικά αξεσουάρ. Αυτά ενδέχεται να διαφέρουν από χώρα σε χώρα.

### Θόρυβος

ENG905-1

Το σύνθηρες σταθμισμένο επίπεδο θορύβου που έχει καθοριστεί σύμφωνα με την EN62841:

**Μοντέλα FS4000, FS4000X, FS4200, FS4300,**

**FS4300X, FS6300, FS6300R, FS6300X**

Επίπεδο ηχητικής πίεσης ( $L_{pA}$ ): 82 dB (A)

Επίπεδο ηχητικής ισχύος ( $L_{WA}$ ): 93 dB (A)

Αβεβαιότητα (K): 3 dB (A)

**Να φοράτε ωτοασπίδες.**

### Δόνηση

ENG900-1

Η συνολική τιμή δόνησης (διανυσματικό άθροισμα τριών αξόνων) που έχει καθοριστεί σύμφωνα με την EN62841:

**Μοντέλα FS4000, FS4000X, FS4200, FS4300,**

**FS4300X, FS6300, FS6300R, FS6300X**

Κατάσταση λειτουργίας: βίδωμα χωρίς κρούση

Εκπομπή δόνησης ( $a_{h1}$ ): 2,5 μέτρα/δευτ.<sup>2</sup> ή λιγότερο

Αβεβαιότητα (K): 1,5 μέτρα/δευτ.<sup>2</sup>

ENG901-1

- Η δηλωθείσα τιμή των παραγομένων κραδασμών έχει καταμετρηθεί σύμφωνα με την τυποποιημένη μέθοδο δοκιμασίας και μπορεί να χρησιμοποιηθεί για την σύγκριση ενός εργαλείου με ένα άλλο.

- Η δηλωθείσα τιμή των παραγομένων κραδασμών μπορεί επίσης να χρησιμοποιηθεί για μια προκαταρκτική αξιολόγηση της έκθεσης στους κραδασμούς.

**⚠ ΠΡΟΕΙΔΟΠΟΙΗΣΗ:**

- Η εκπομπή κραδασμών κατά τη διάρκεια της πραγματικής χρήσης του ηλεκτρικού εργαλείου μπορεί να διαφέρει από τη δηλωθείσα τιμή των εκπομπών, ανάλογα με τον τρόπο με τον οποίο χρησιμοποιείται το εργαλείο.
- Φροντίστε να λάβετε τα μέτρα ασφαλείας που απαιτούνται για την προστασία του χρήστη που βασίζονται σε μια εκτίμηση της έκθεσης σε πραγματικές συνθήκες χρήσης (λαμβάνοντας υπόψη όλα τα μέρη του κύκλου λειτουργίας, όπως είναι οι περιπτώσεις κατά τις οποίες το εργαλείο είναι απενεργοποιημένο και όταν λειτουργεί στο ρελαντί επιπρόσθετως του χρόνου κατά τον οποίο το εργαλείο βρίσκεται σε χρήση).

**ΕΚ Δήλωση συμμόρφωσης**

***Για Ευρωπαϊκές χώρες μόνο***

Η δήλωση συμμόρφωσης ΕΚ περιλαμβάνεται ως παράρτημα Α σε αυτό το εγχειρίδιο οδηγιών.

**Makita Europe N.V.** Jan-Baptist Vinkstraat 2,  
3070 Kortenberg, Belgium

**Makita Corporation** 3-11-8, Sumiyoshi-cho,  
Anjo, Aichi 446-8502 Japan