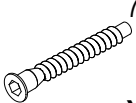

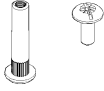

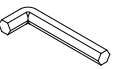
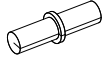
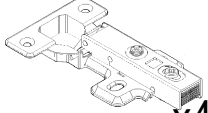
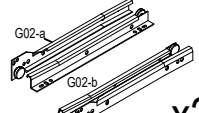



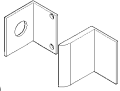
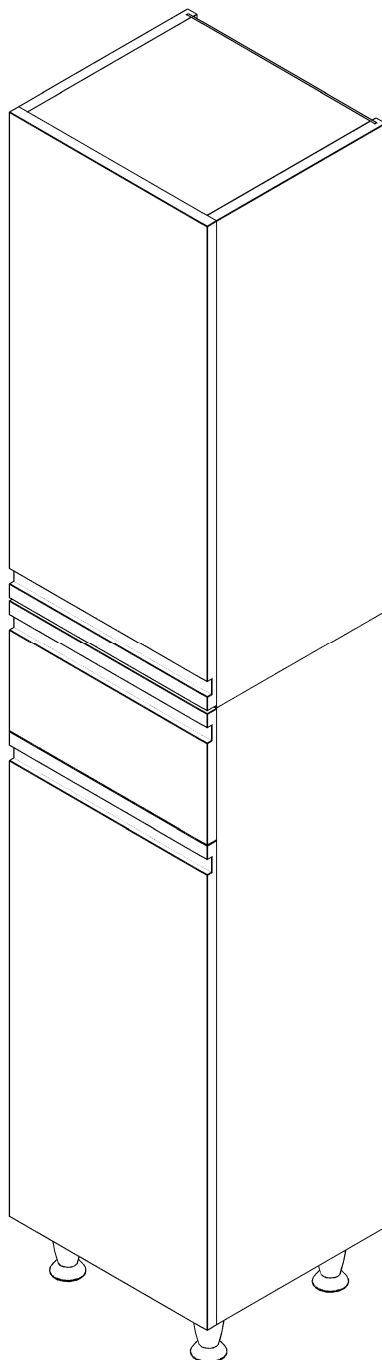
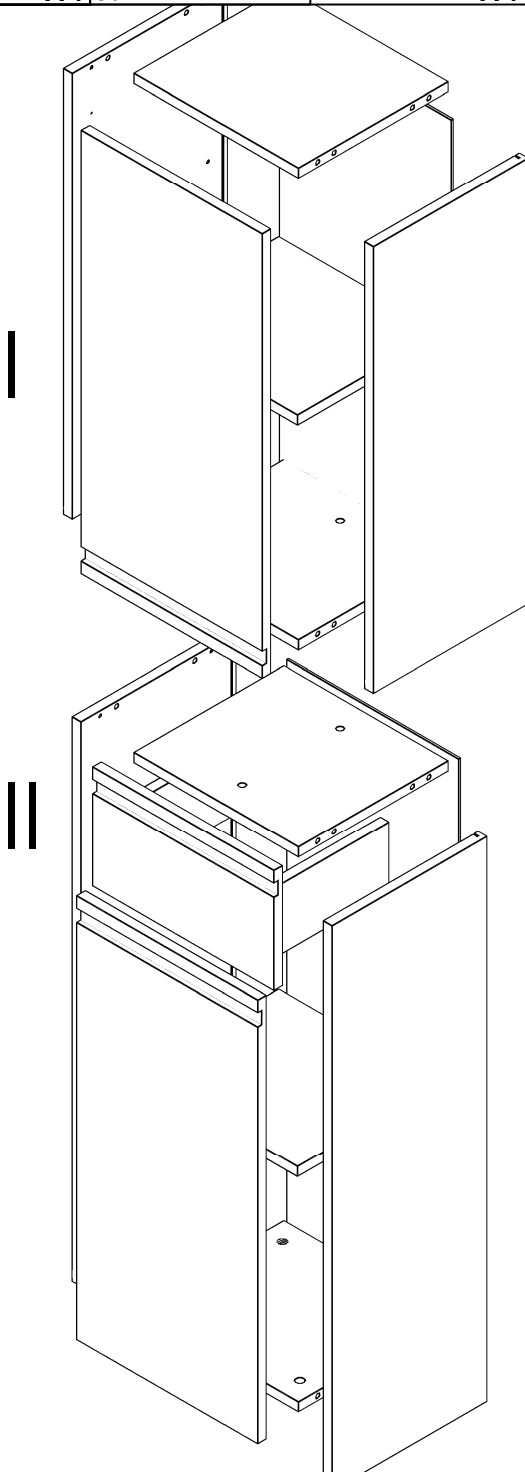
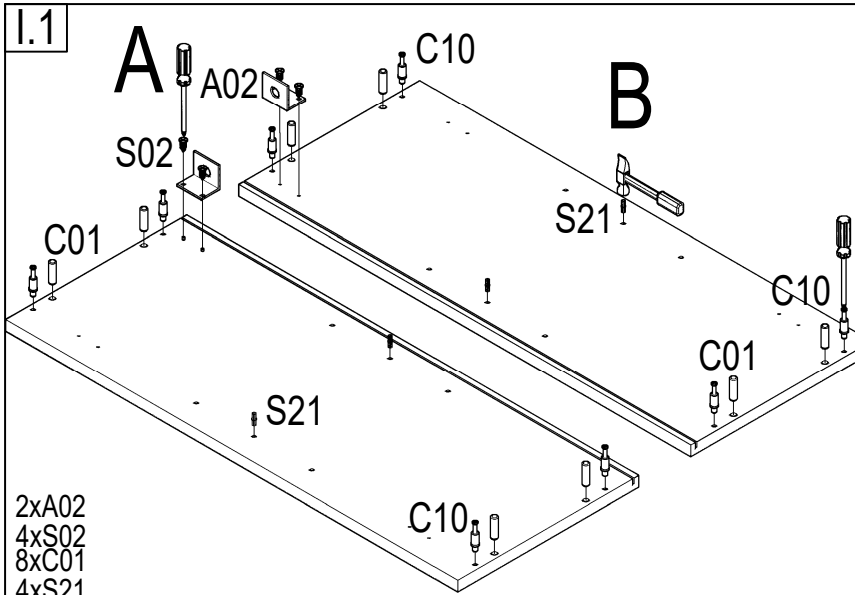


NR.114

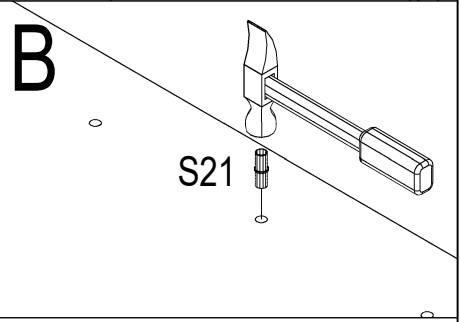
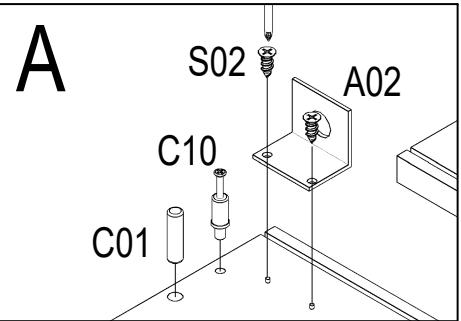
 S01 x2	 S02 x58	 S05 x2	 C01 x20	 D01 x1	 S21 x9
 B01 x4	 G02 x2	 P01 x4	 C10 x20	 C11 x20	 A02 x2



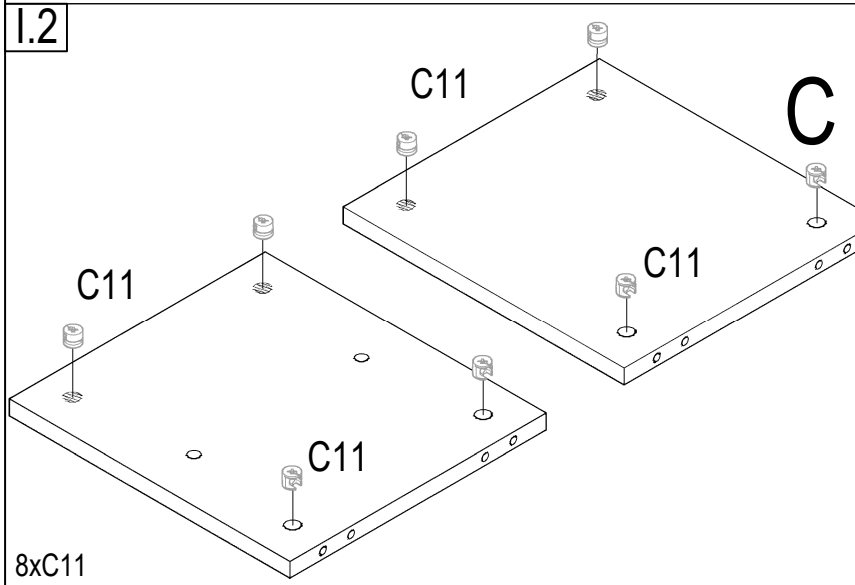
I.1



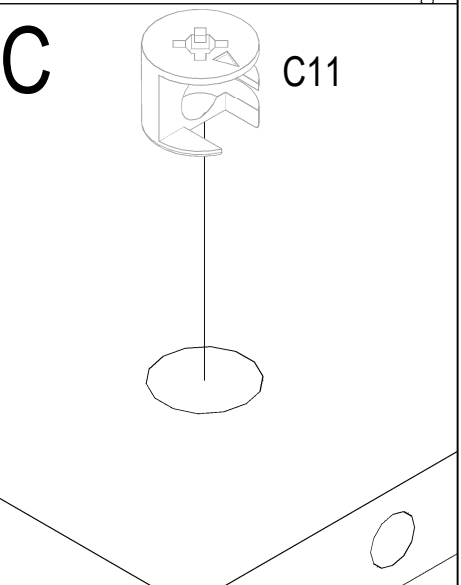
2xA02
4xS02
8xC01
4xS21
8xC10



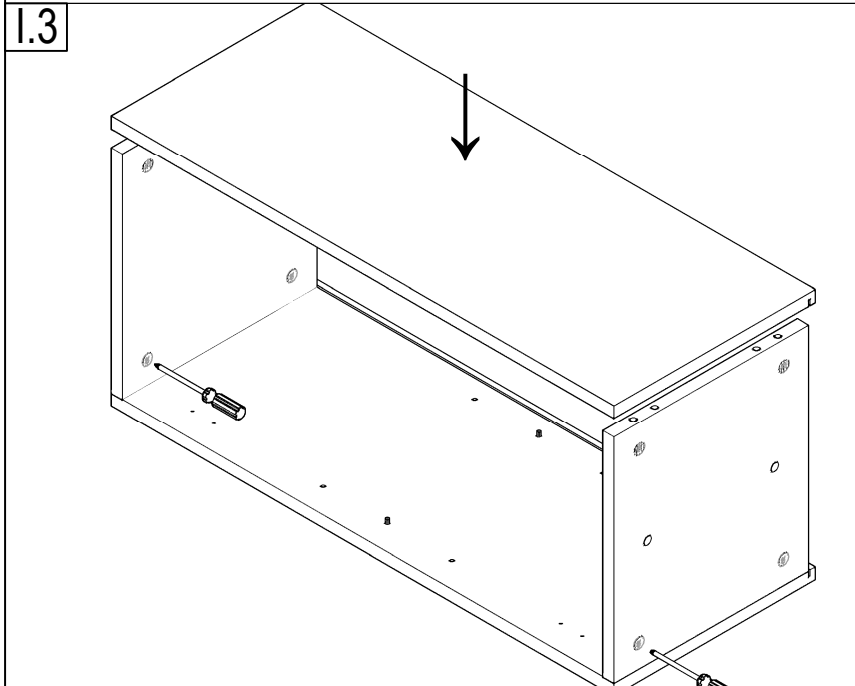
I.2



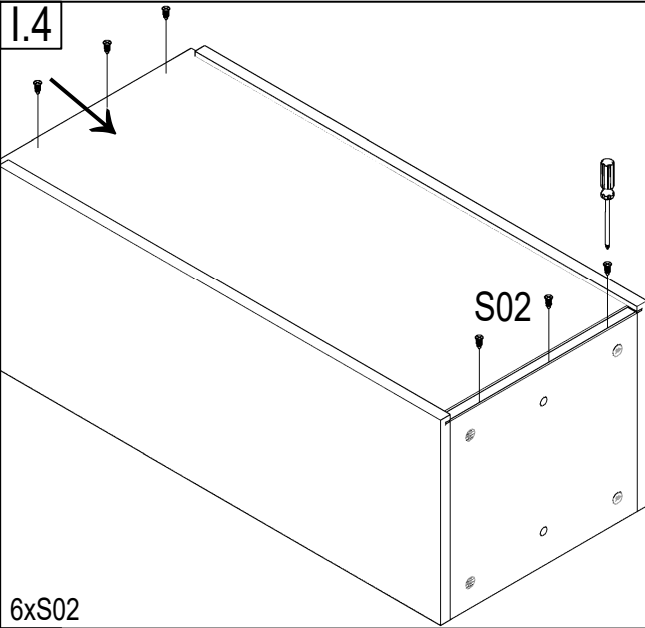
8xC11



I.3

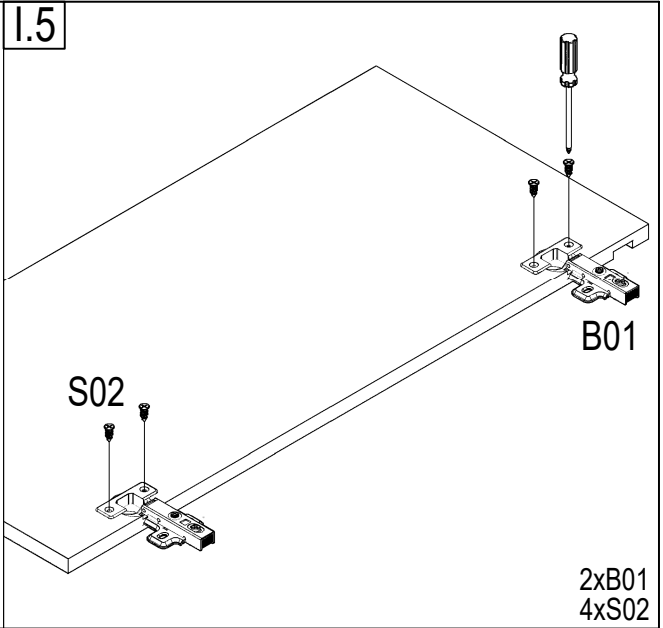


I.4



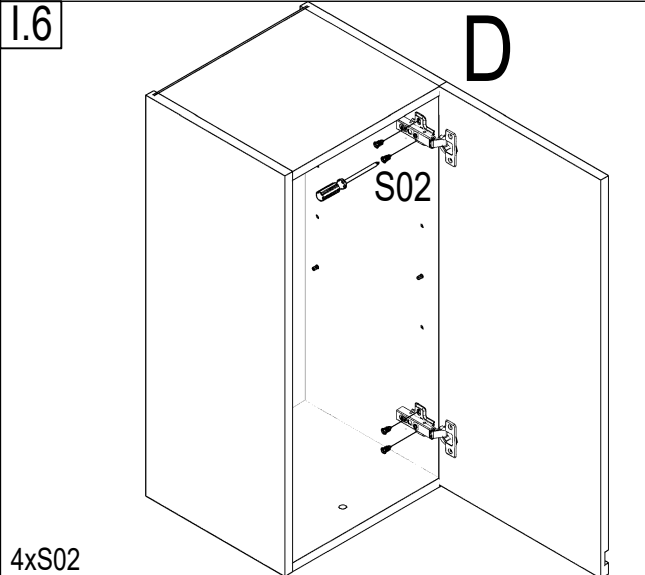
6xS02

I.5

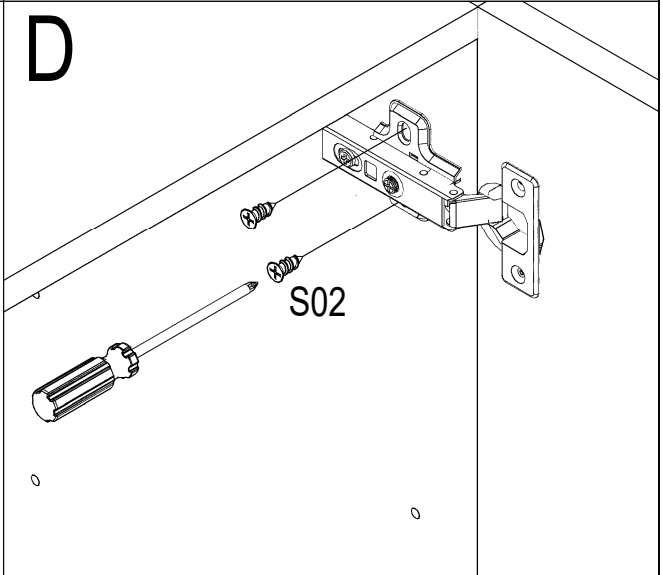


2xB01
4xS02

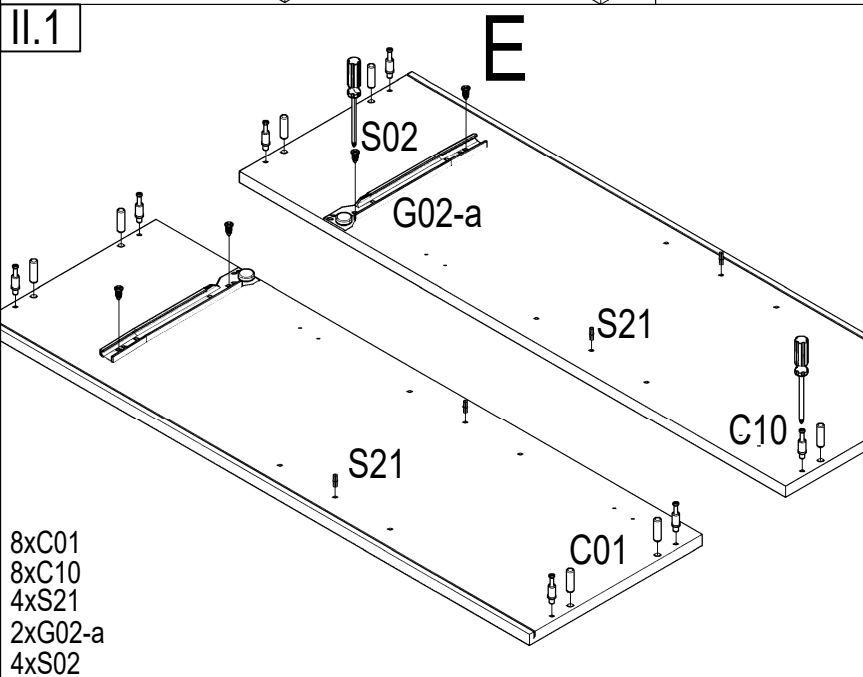
I.6



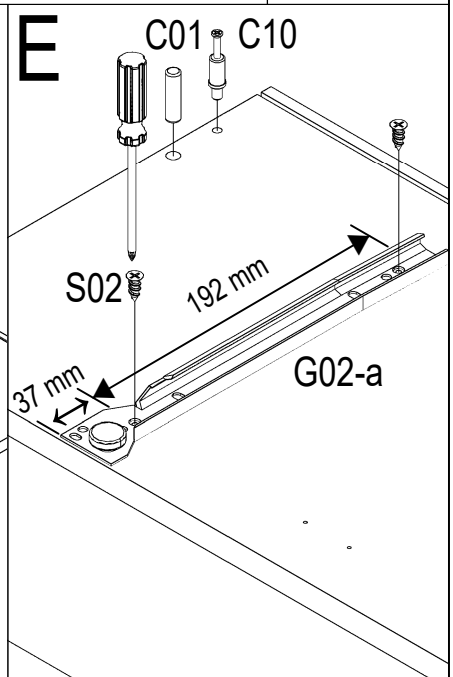
4xS02



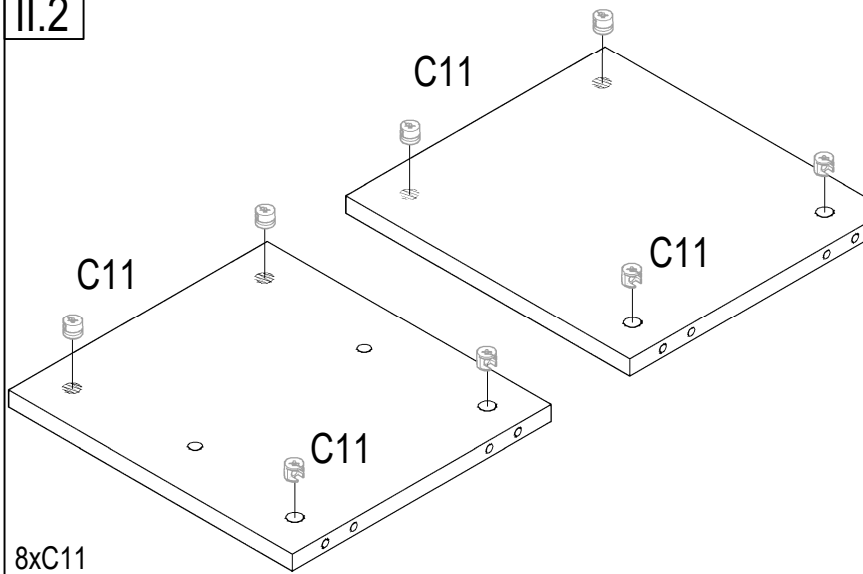
II.1



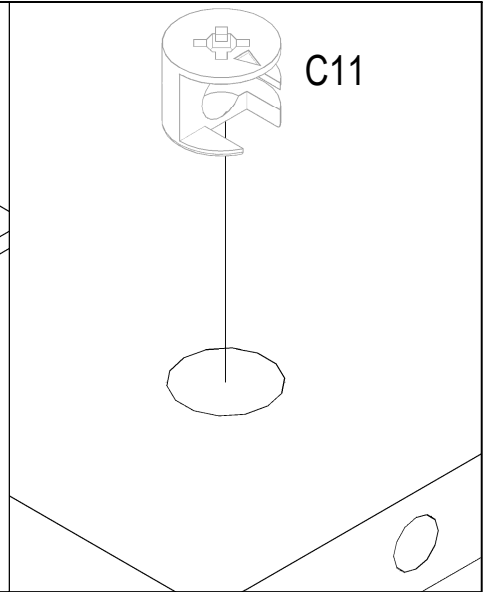
8xC01
8xC10
4xS21
2xG02-a
4xS02



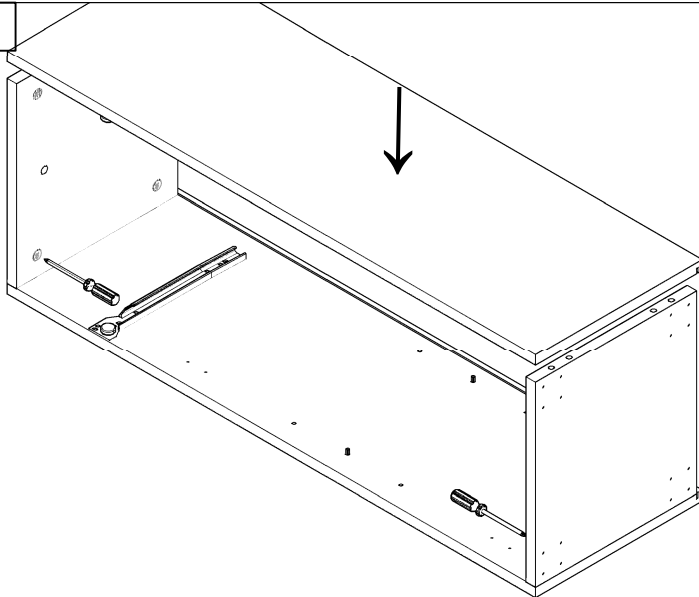
II.2



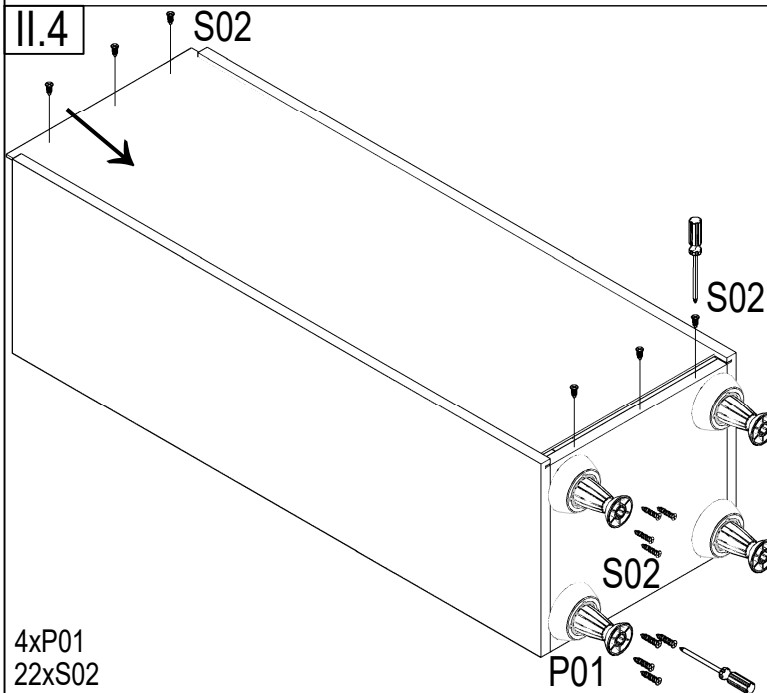
8xC11



II.3

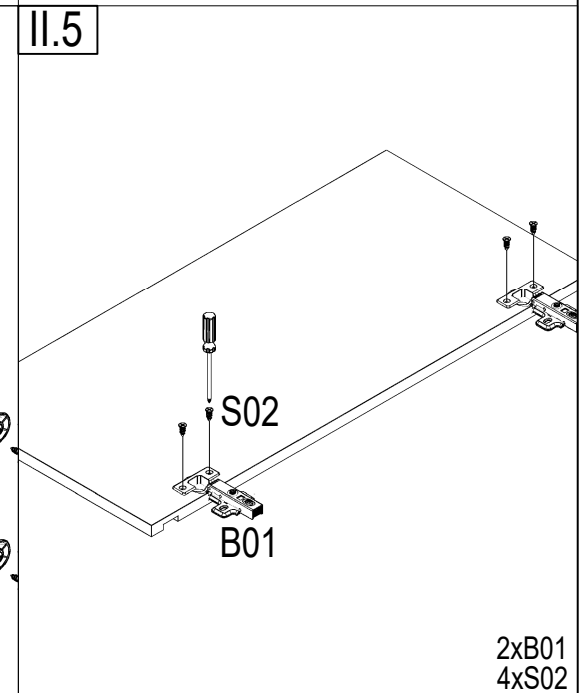


II.4



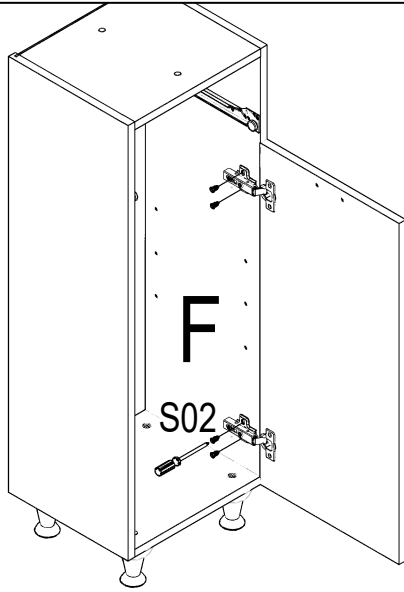
4xP01
22xS02

II.5



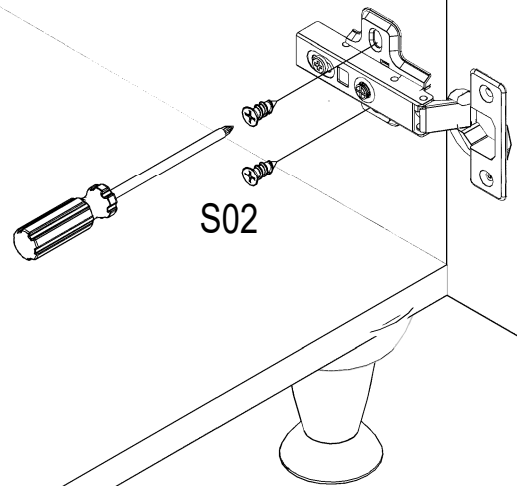
2xB01
4xS02

II.6

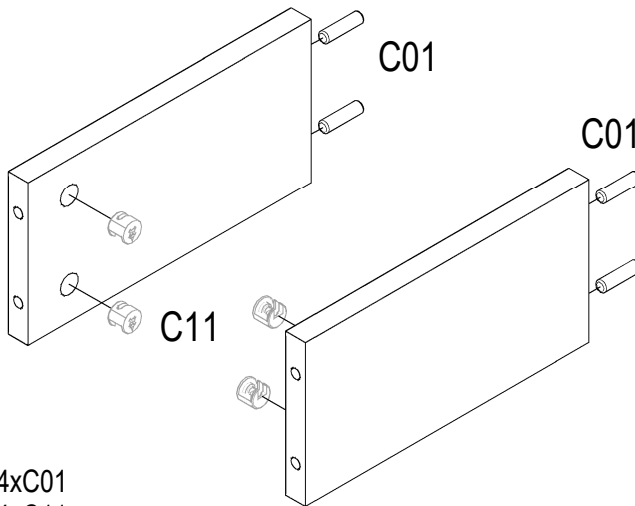


4xS02

F

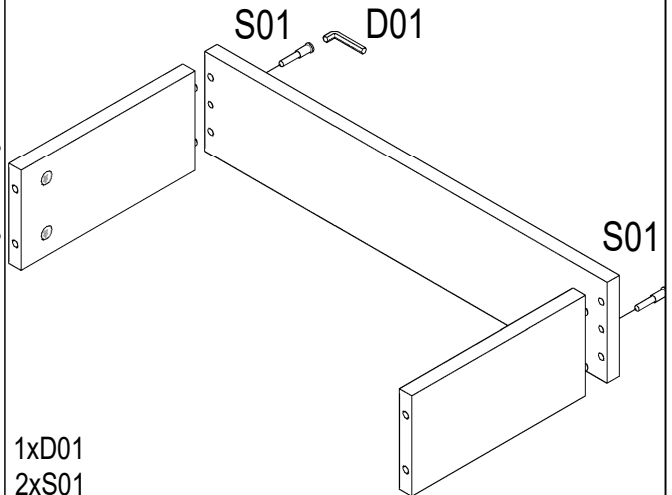


II.7



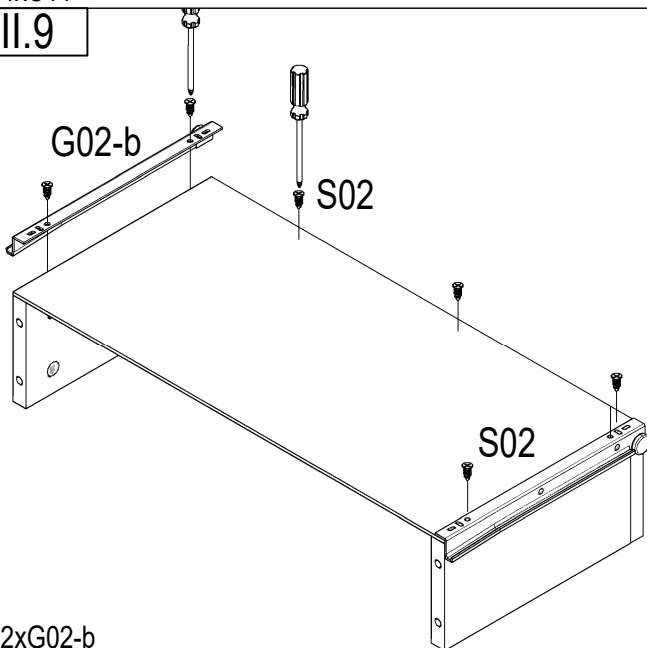
4xC01
4xC11

II.8



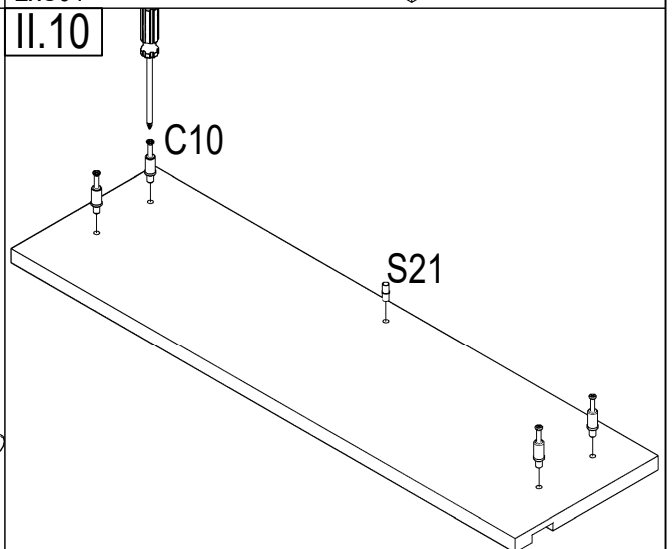
1xD01
2xS01

II.9



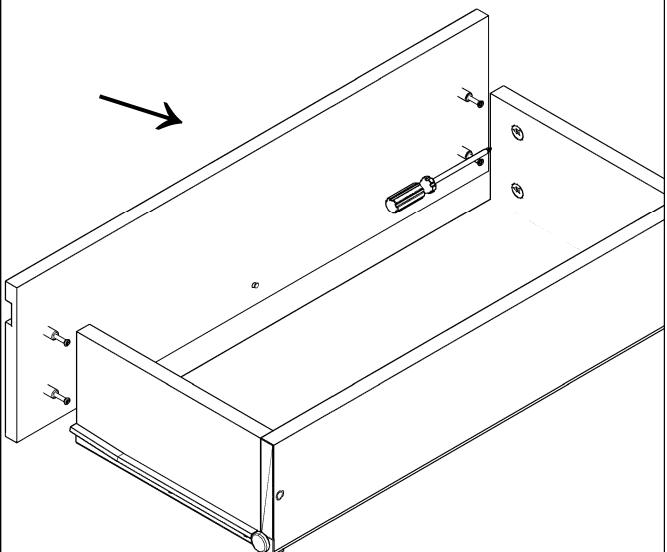
2xG02-b
6xS02

II.10

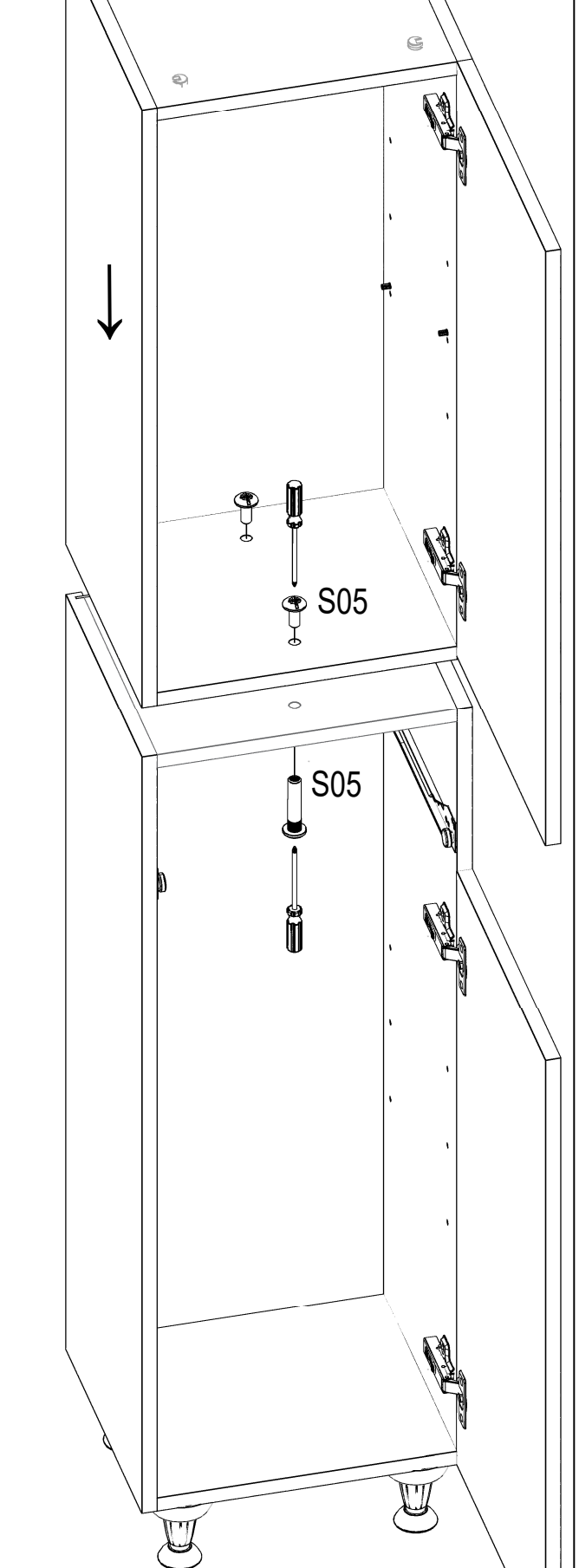


4xC10
1xS21

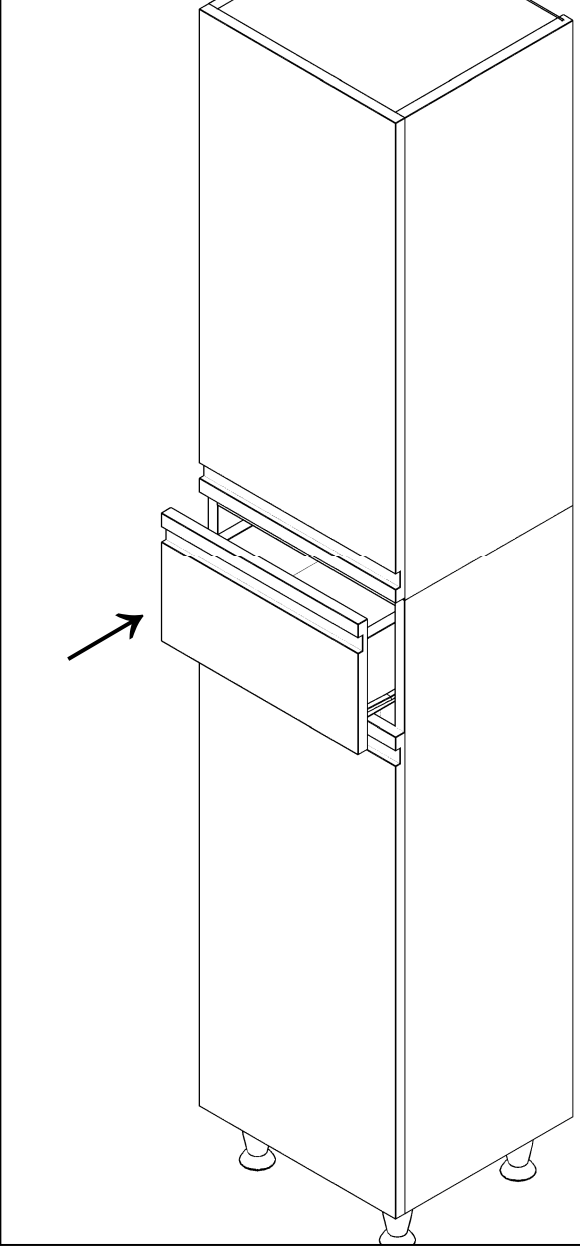
II.11



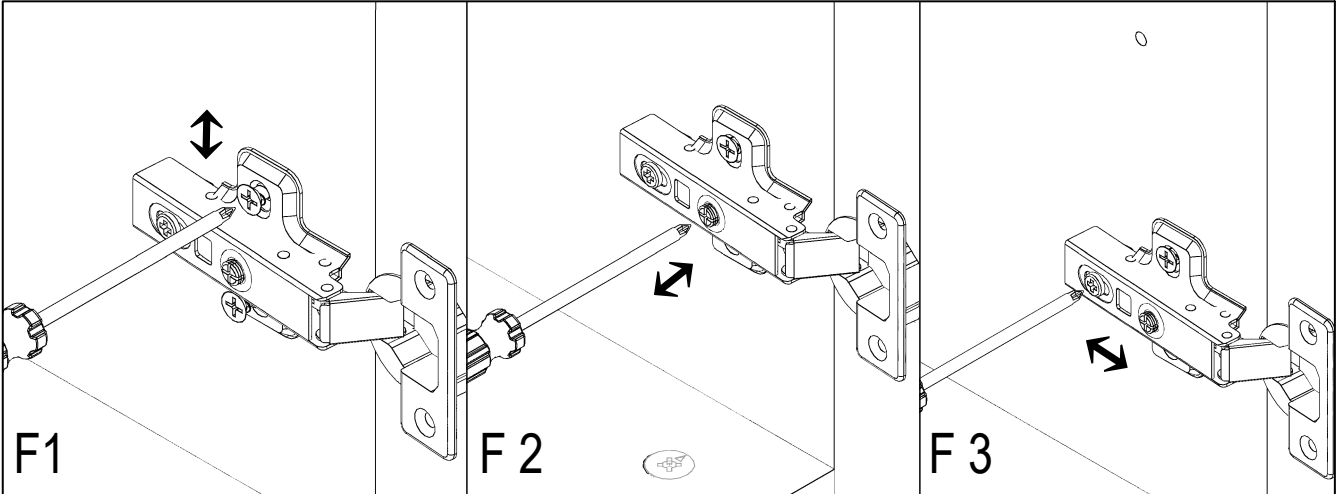
II.12



II.13



2xS05



F1

F2

F3

HEIGHT ADJUSTMENT

SIDE ADJUSTMENT

DEPTH ADJUSTMENT