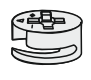
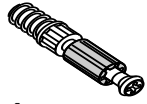
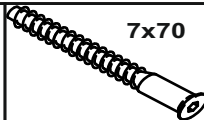


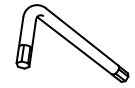
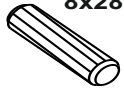

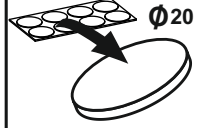
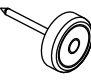
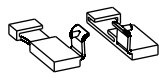


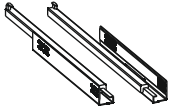


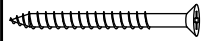


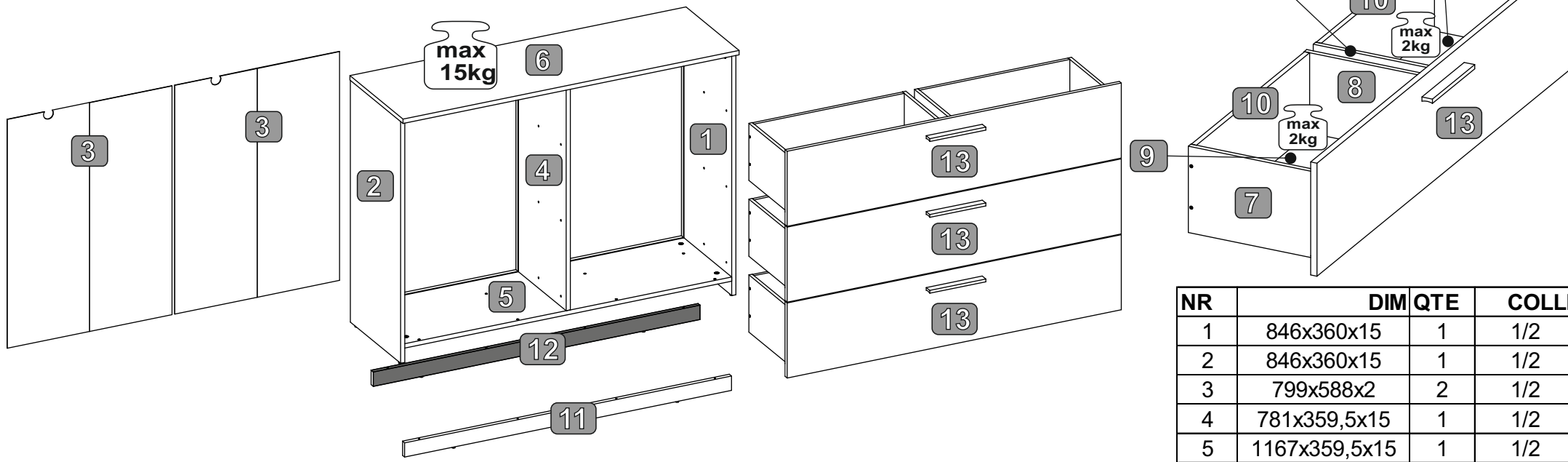
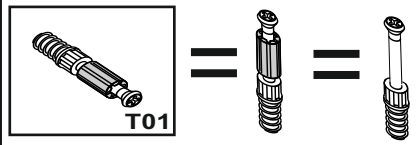
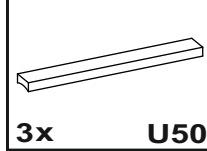
 15x12 10x T02	 12x9,5 24x T12	 34x T01	 7x70 2x W70	 Z4 1x K01	 5x40 32x W16	 L3 1x K02	 8x28 60x D01	 40x R01	 Ø20 24x C01
 10x S01	 6xL+R 6xL+R B12	 6x11 24x W12	 3,5x13 24x W02	 6xL+R 6xL+R P05	 4x25 6x W05	 2x F01	 2x F11	 2x F13	 4x13 4x W07



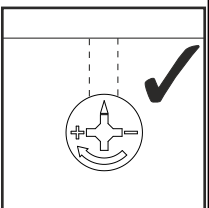
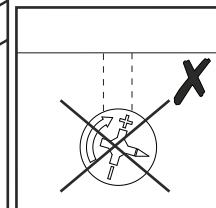
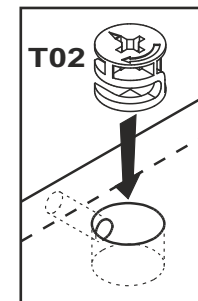
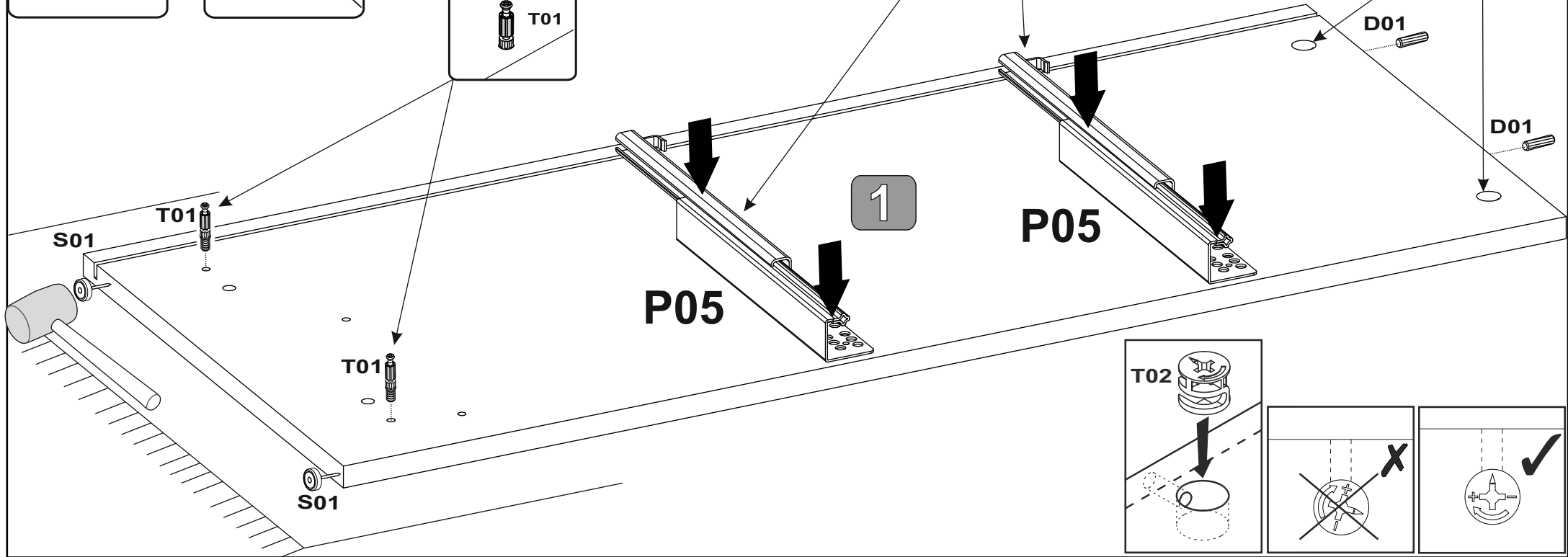
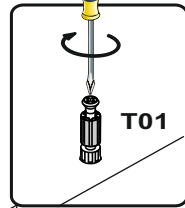
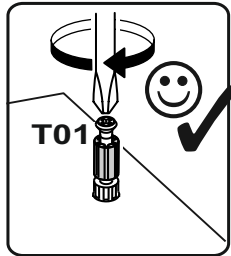
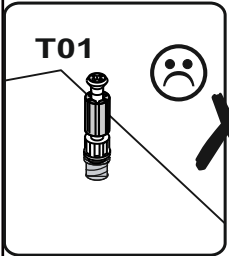
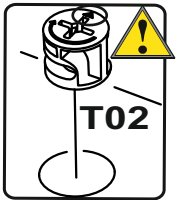
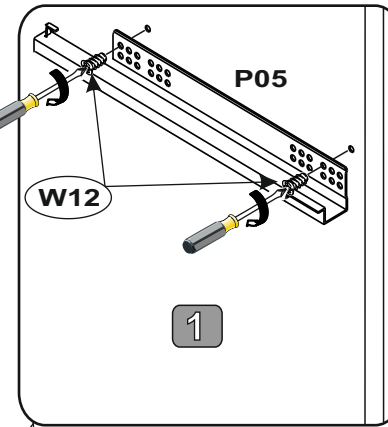
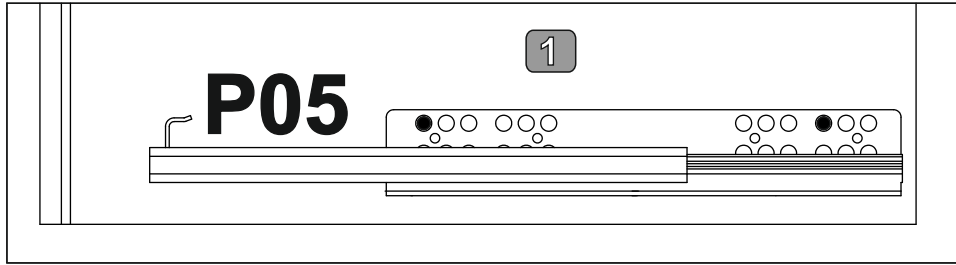
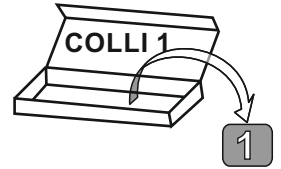
0 10 20 30 40 50 60 70 80 90 100 110 120 130 140 150 160 170 180 190 200



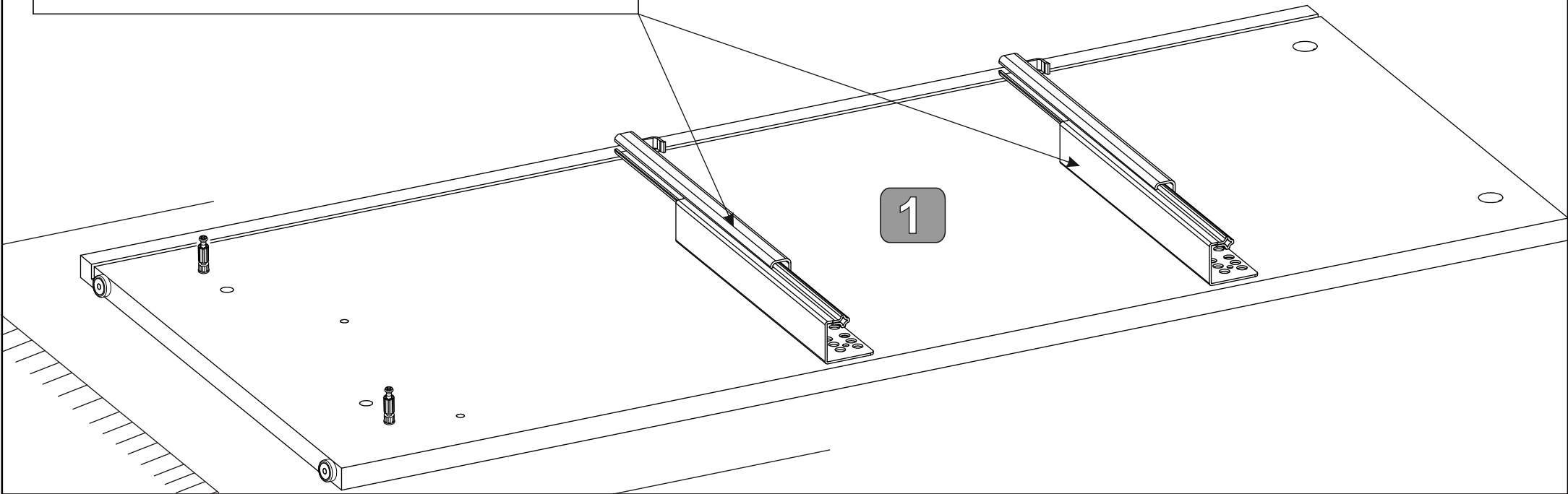
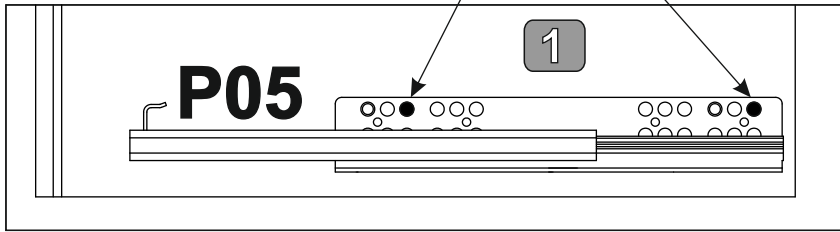
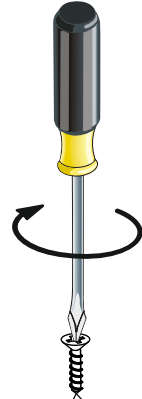
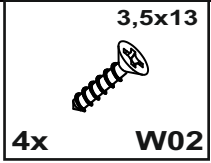
NR	DIM	QTE	COLLI
1	846x360x15	1	1/2
2	846x360x15	1	1/2
3	799x588x2	2	1/2
4	781x359,5x15	1	1/2
5	1167x359,5x15	1	1/2
6	1200x380x15	1	1/2
7	300x200x12	6	2/2
8	300x200x12	6	2/2
9	547x300x2	6	2/2
10	536x200x12	6	2/2
11	1167x50x15	1	2/2
12	1167x50x15	1	2/2
13	1193x262x15	3	2/2

1

- 8x28 2x D01
- 15x12 2x T02
- 6x11 4x W12
- 2x_R P05
- 2x S01
- 2x T01

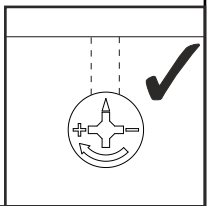
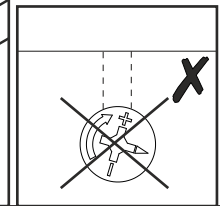
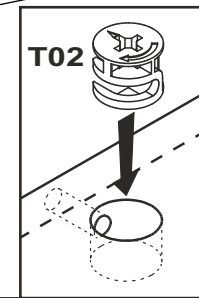
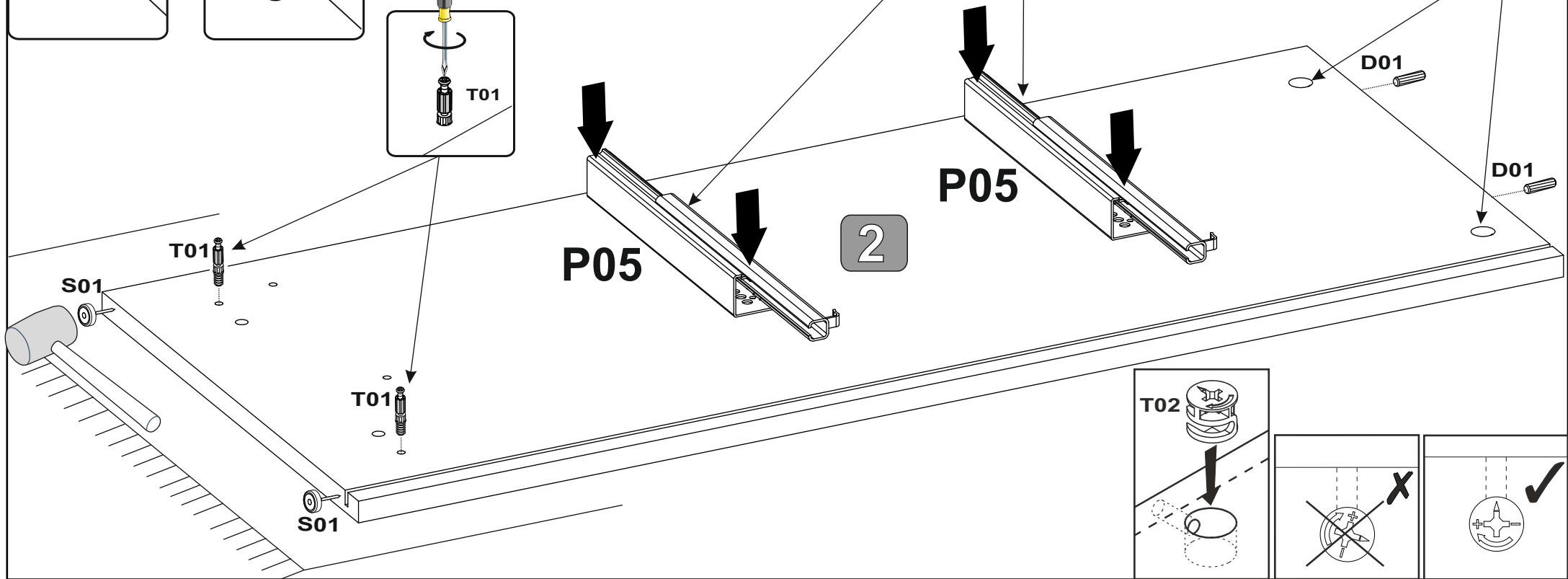
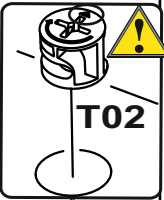
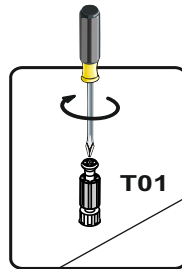
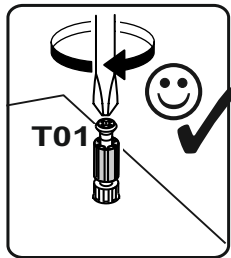
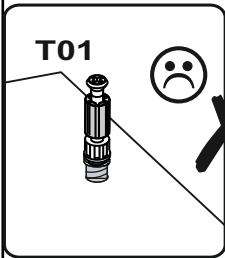
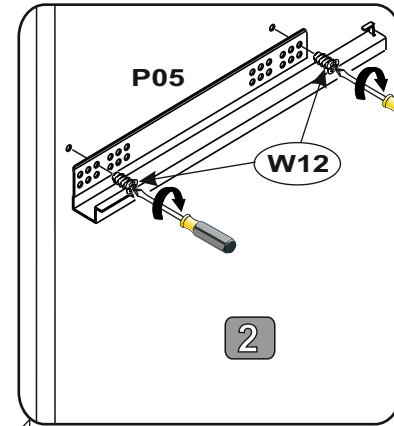
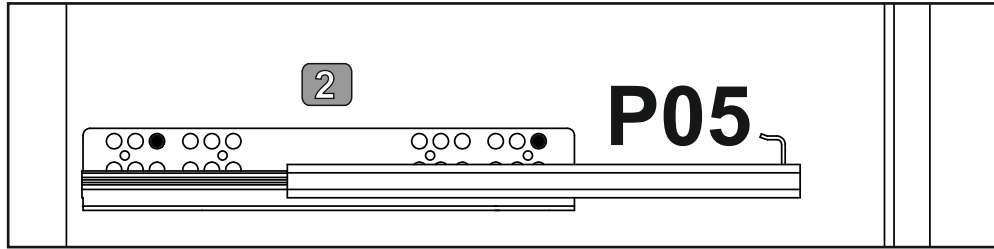
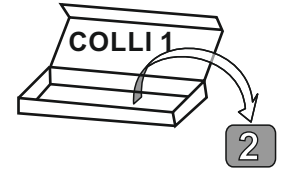


2

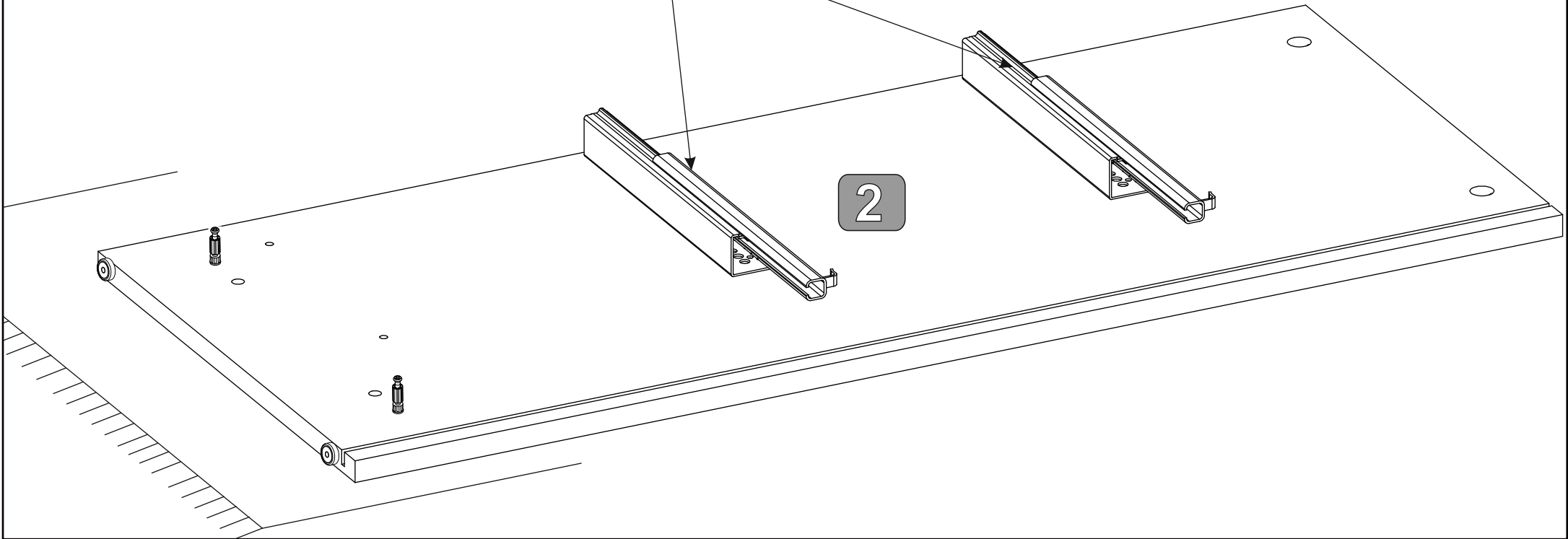
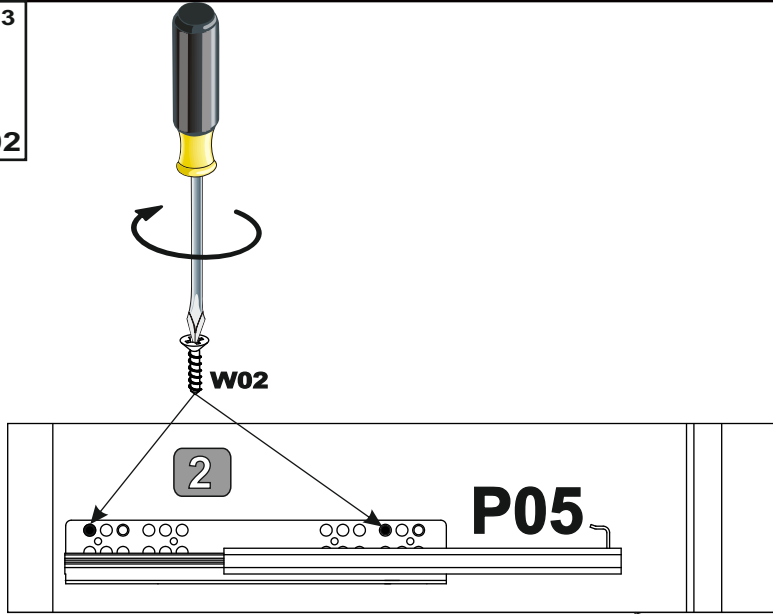
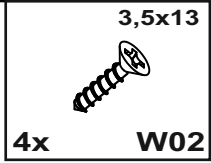


3

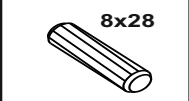
- 8x28 2x D01
- 15x12 2x T02
- 6x11 4x W12
- 2x S01
- 2x T01
- 2x L P05



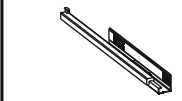
4



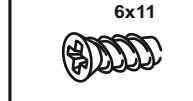
5



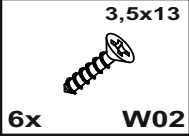
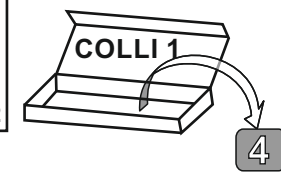
4x D01



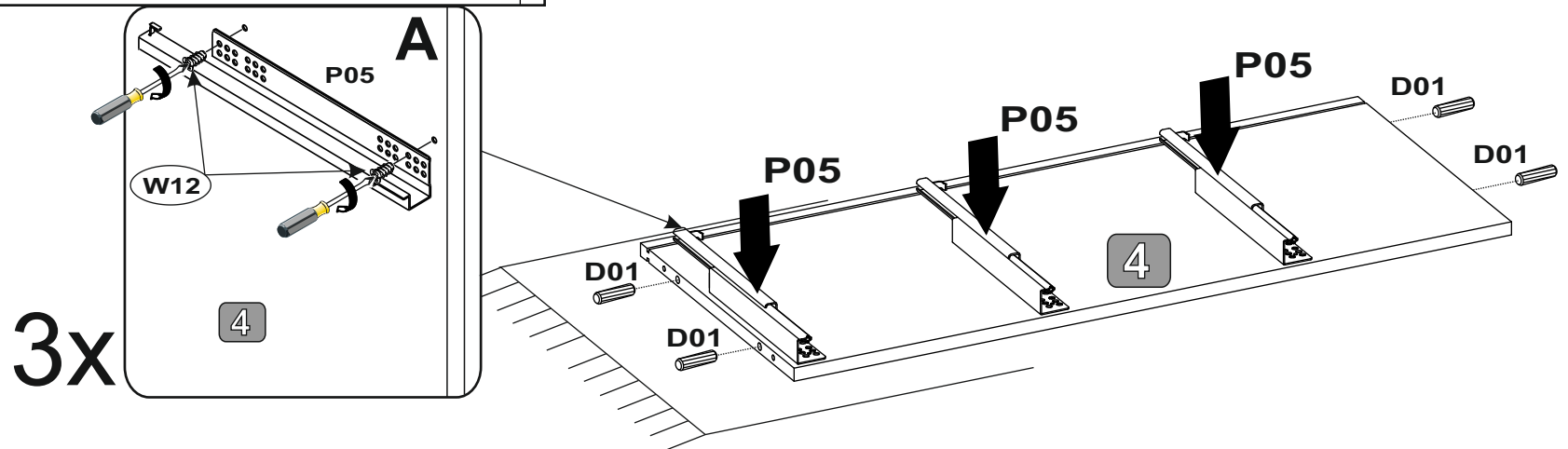
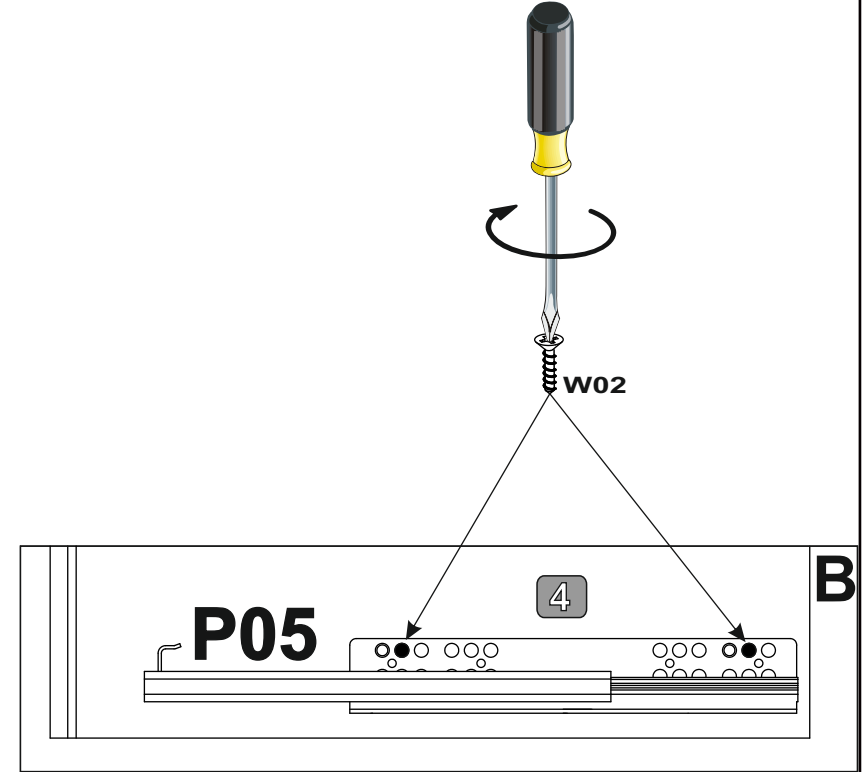
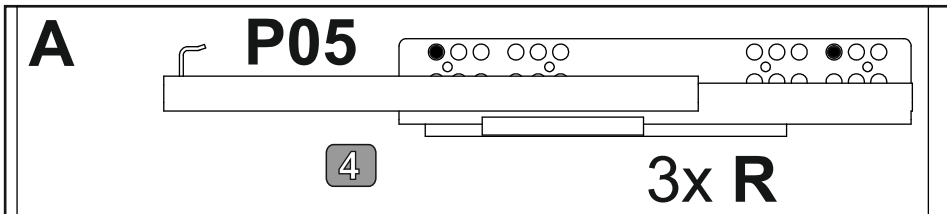
3x R P05



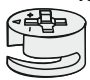

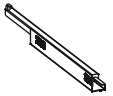

6x W12

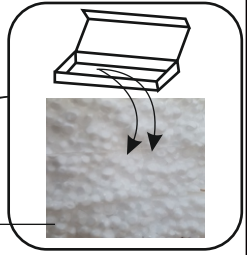
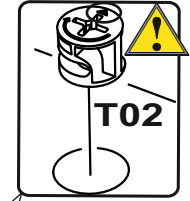
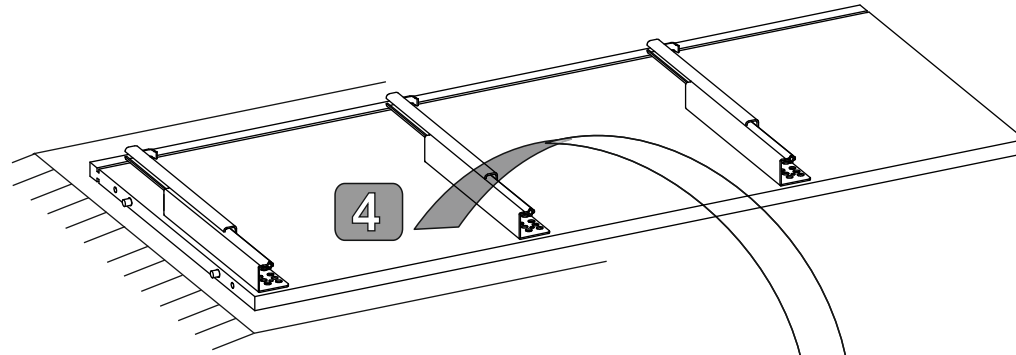


6x W02

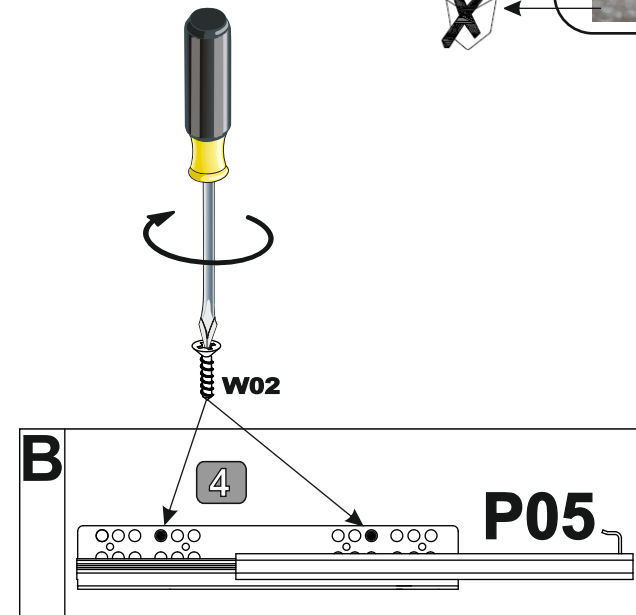
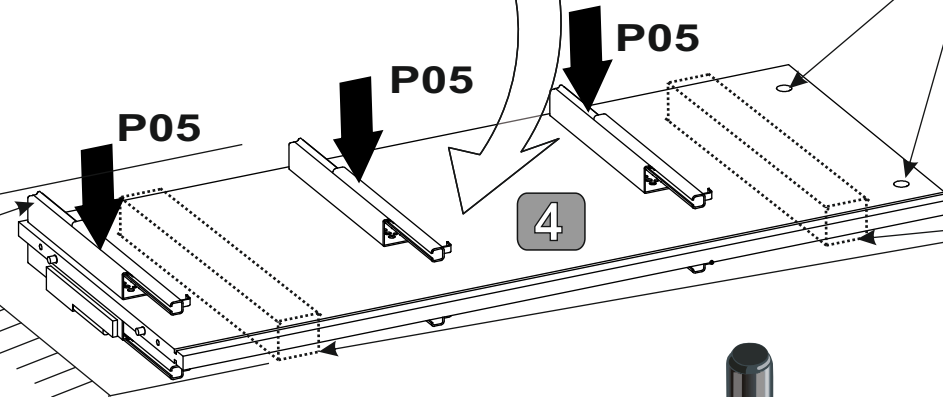
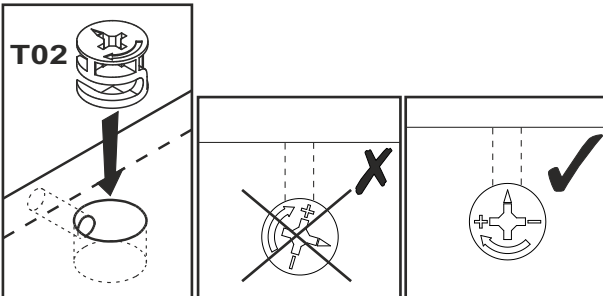
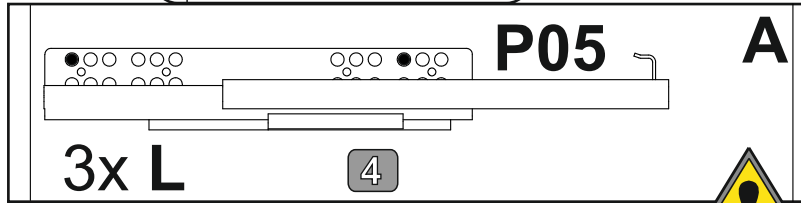
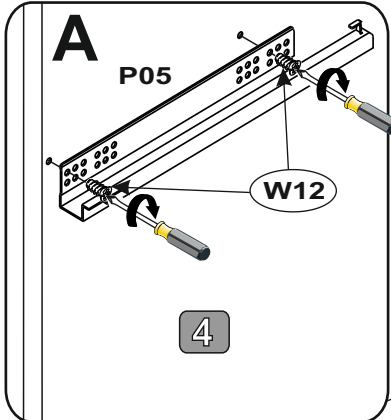


6

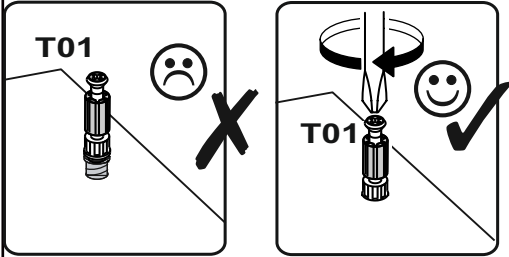
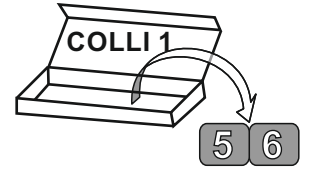
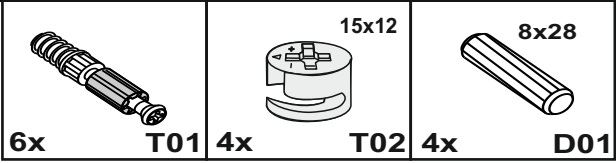
15x12  2x T02	3,5x13  6x W02
 3xL P05	6x11  6x W12



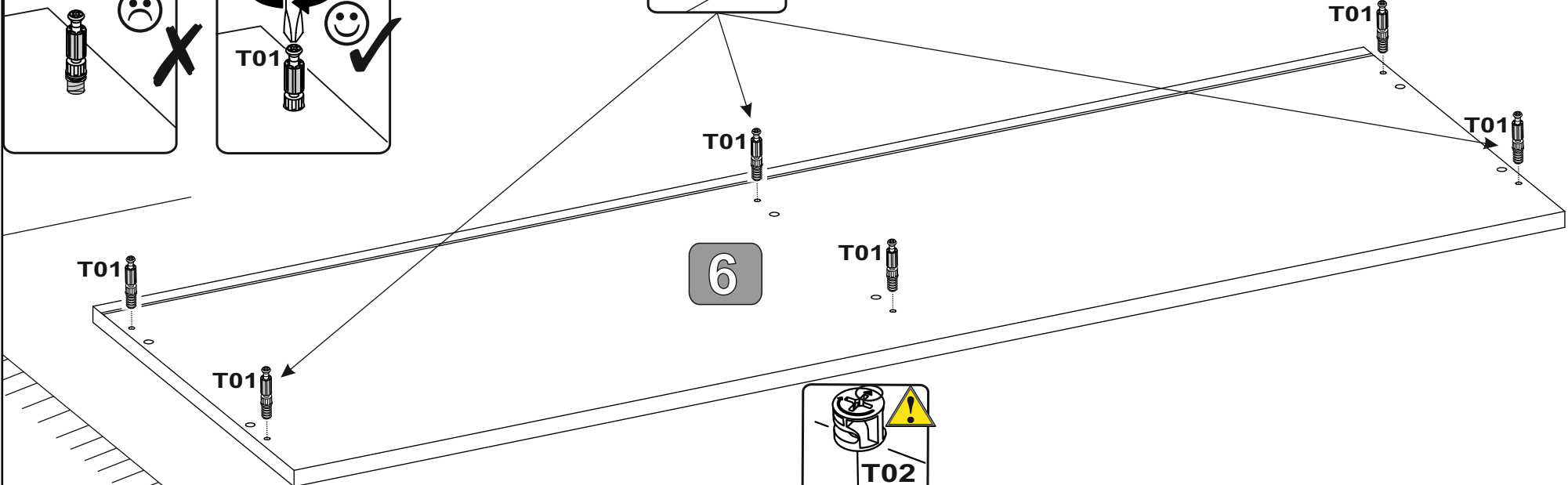
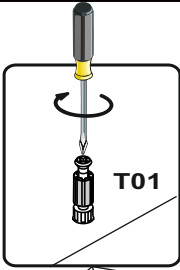
3x



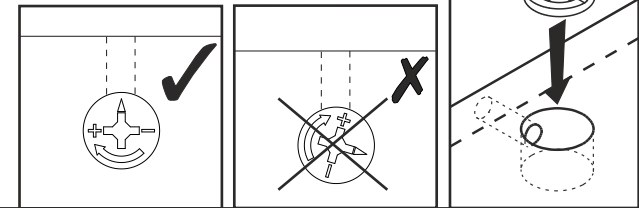
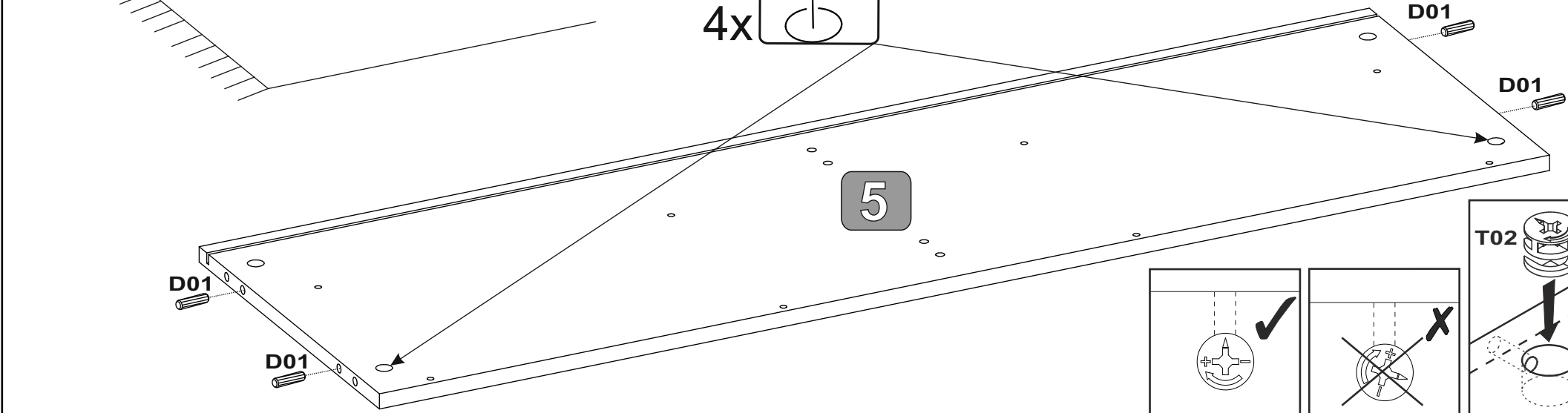
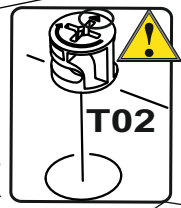
7





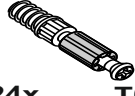
6x

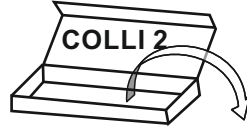


4x

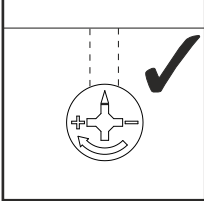
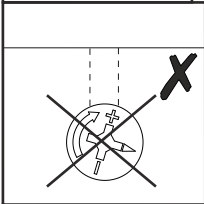
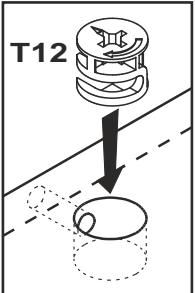


8

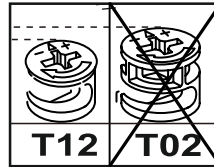
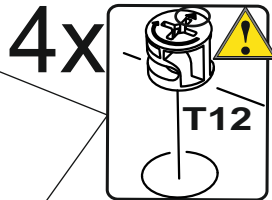
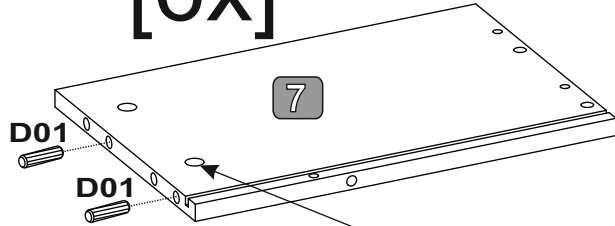
		
24x	48x	24x
T12	D01	T01



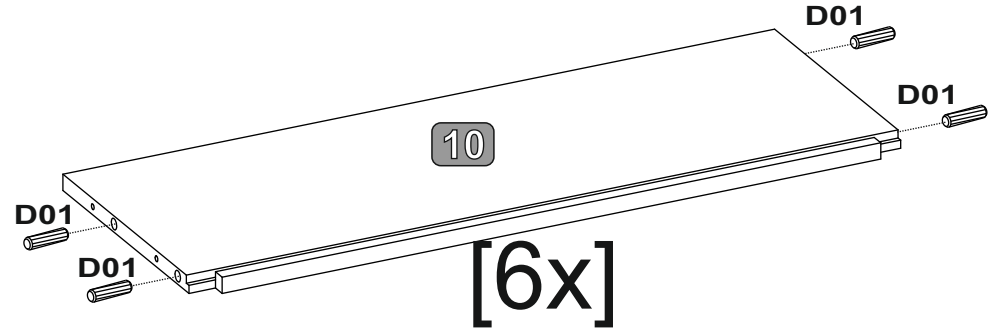
7 8 9 10 13



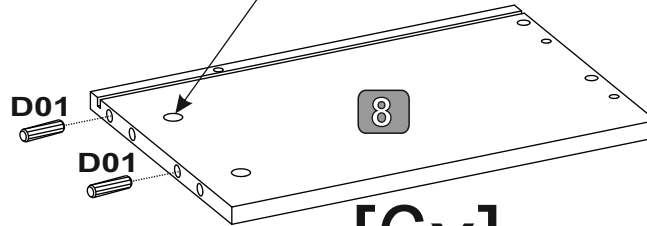
[6x]



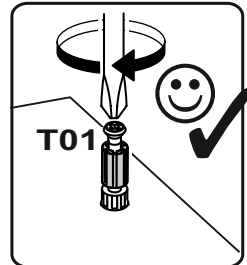
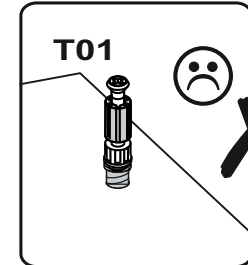
10



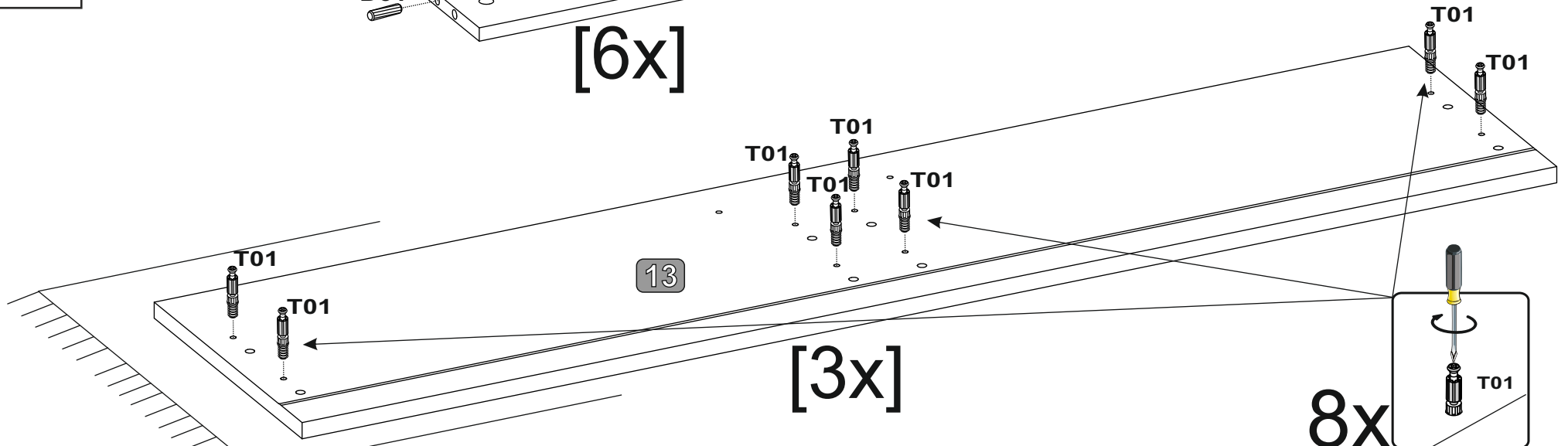
[6x]



[6x]

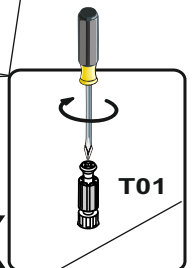


13

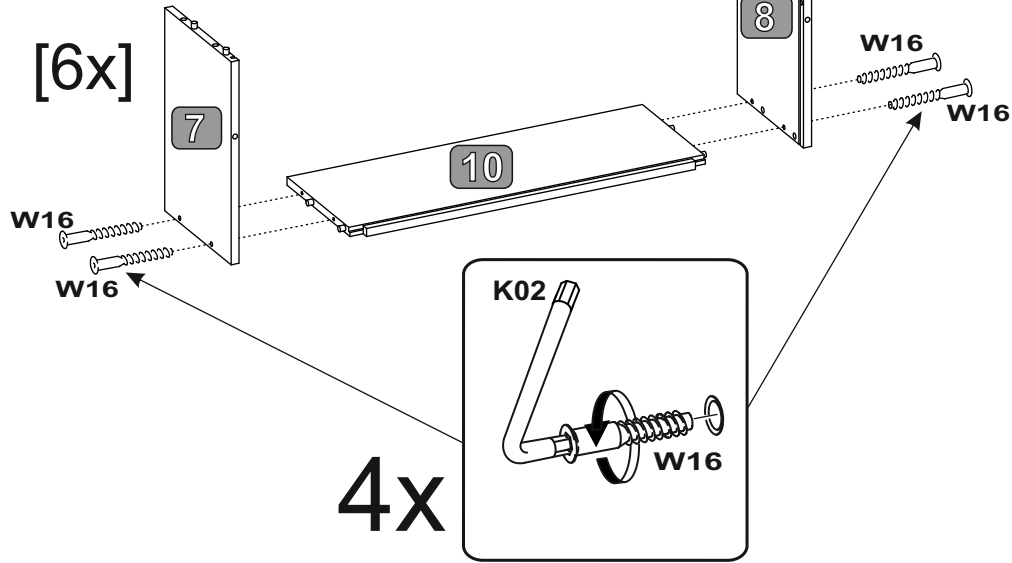
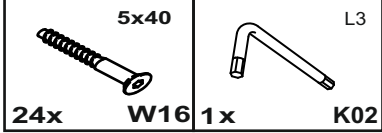


[3x]

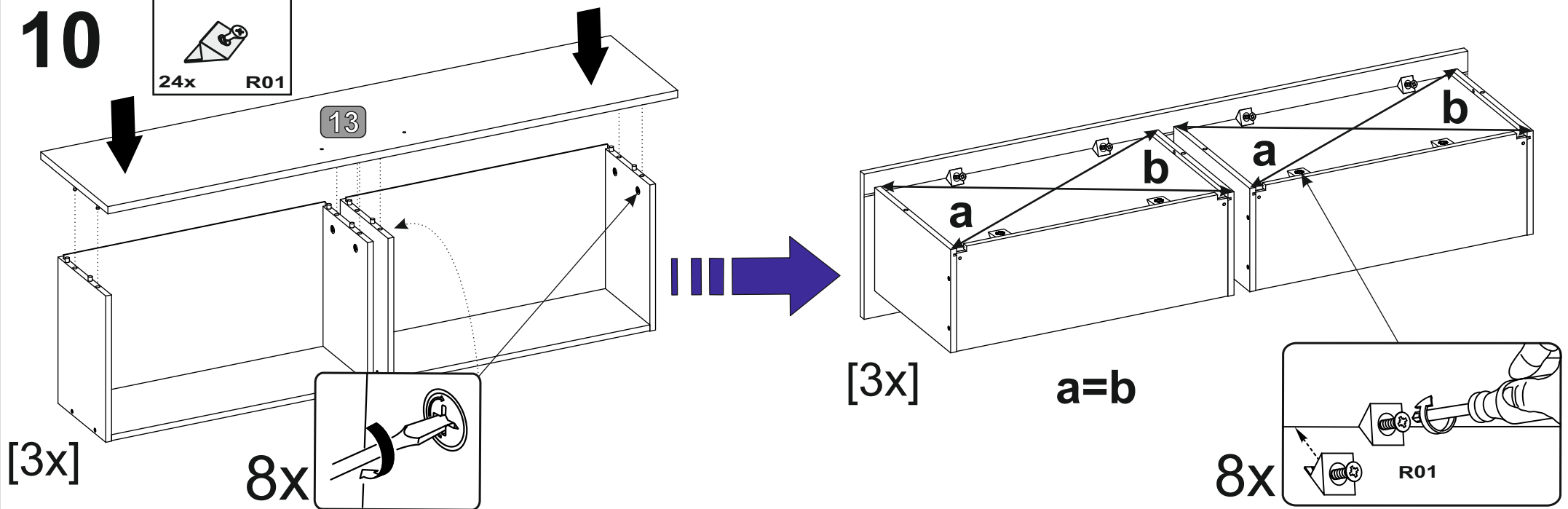
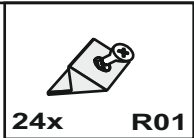
8x



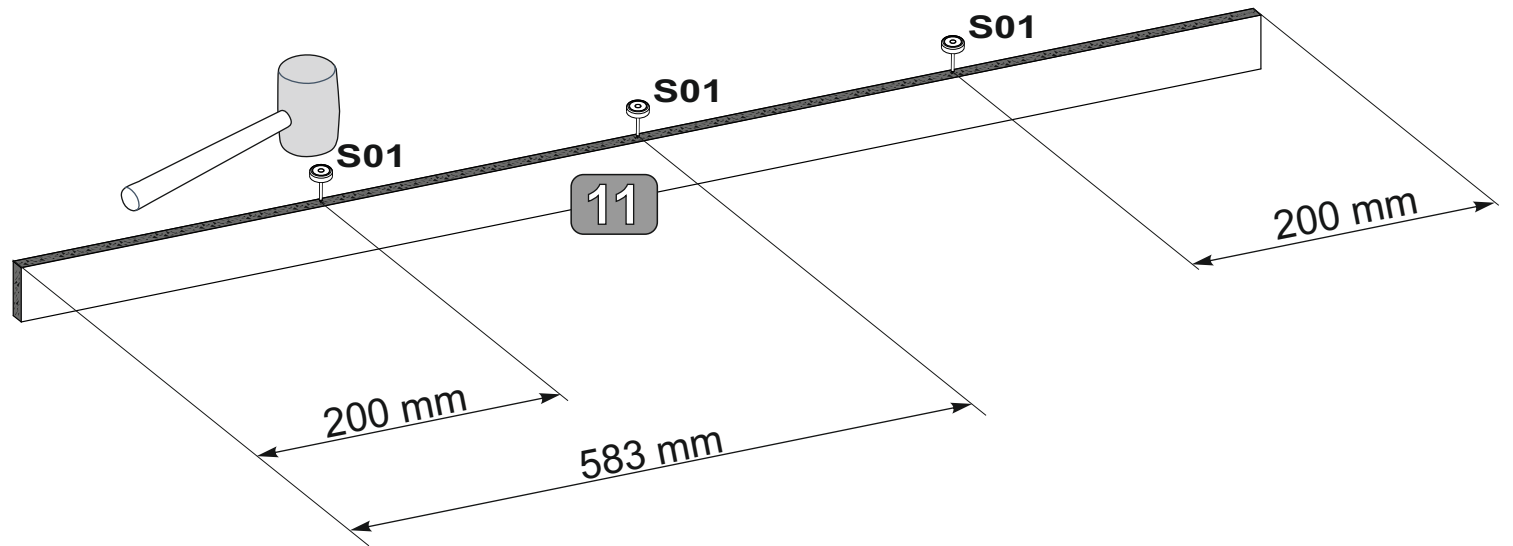
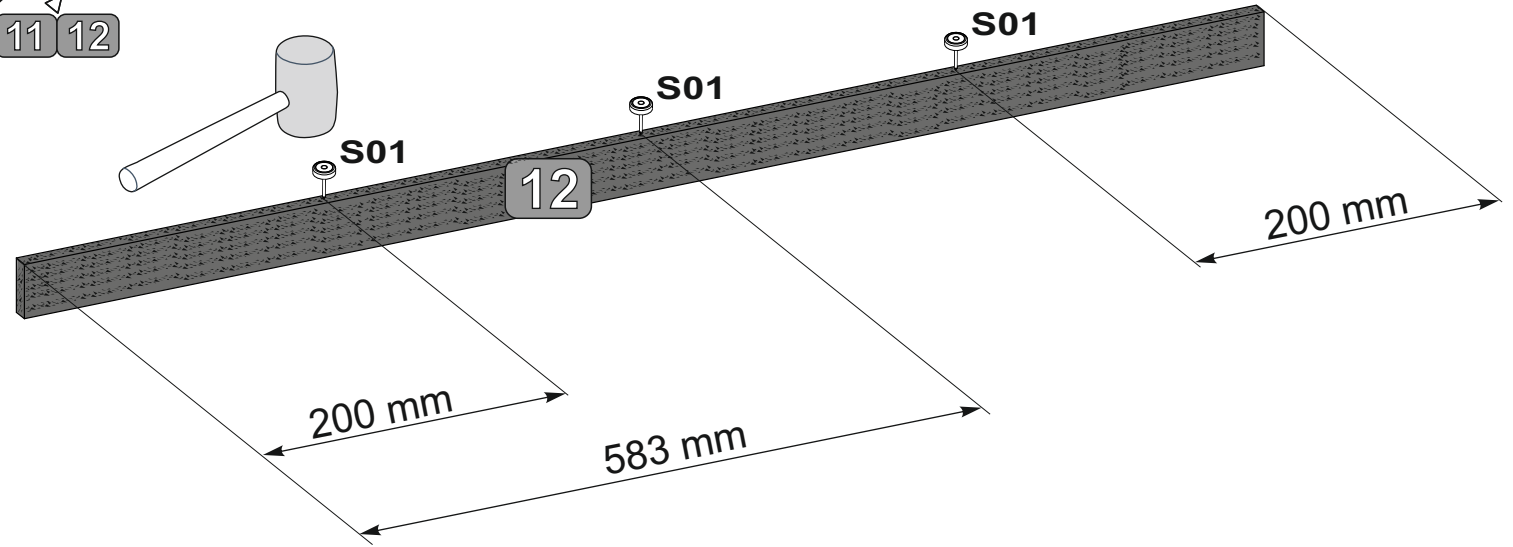
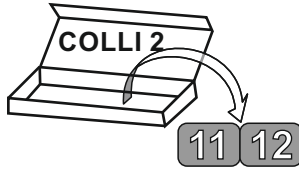
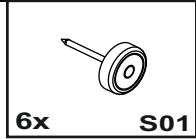
9



10

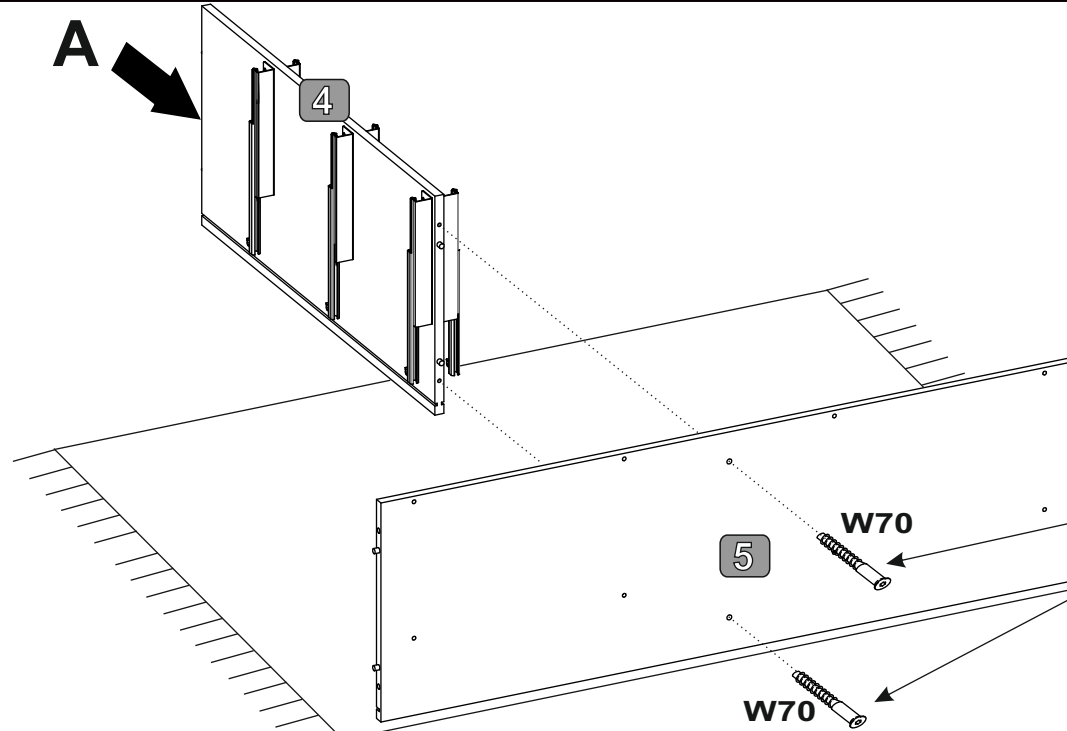


11



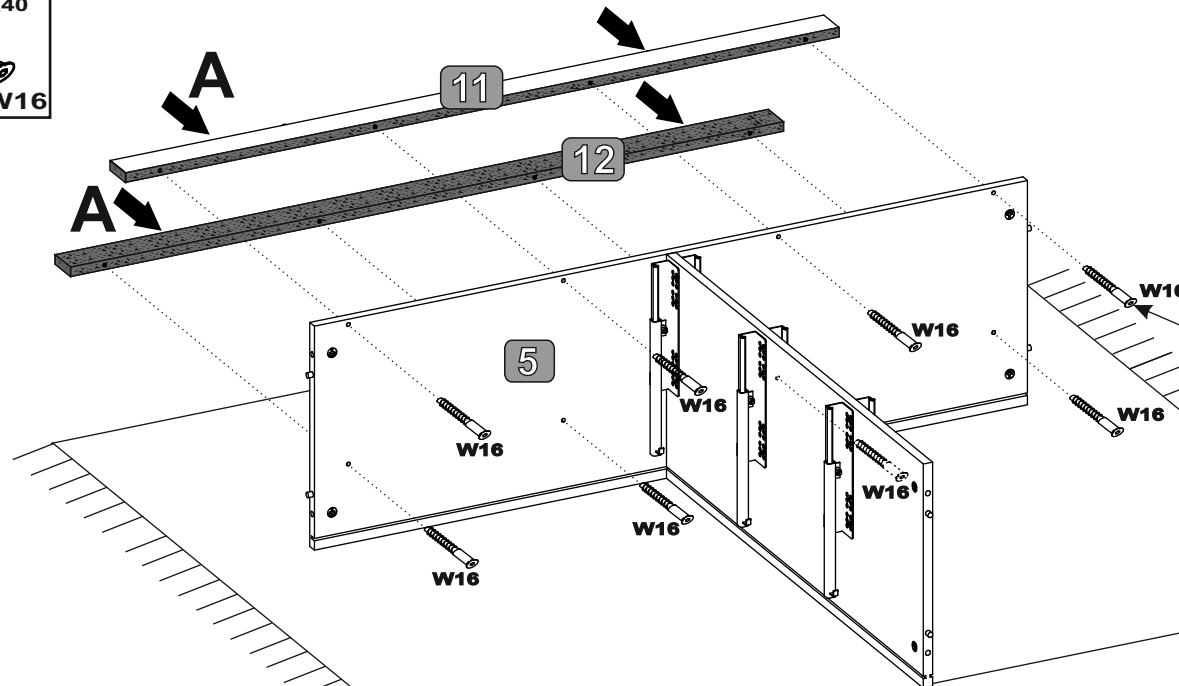
12

- Z4
- 1x K01
- 7x70
- 2x W70

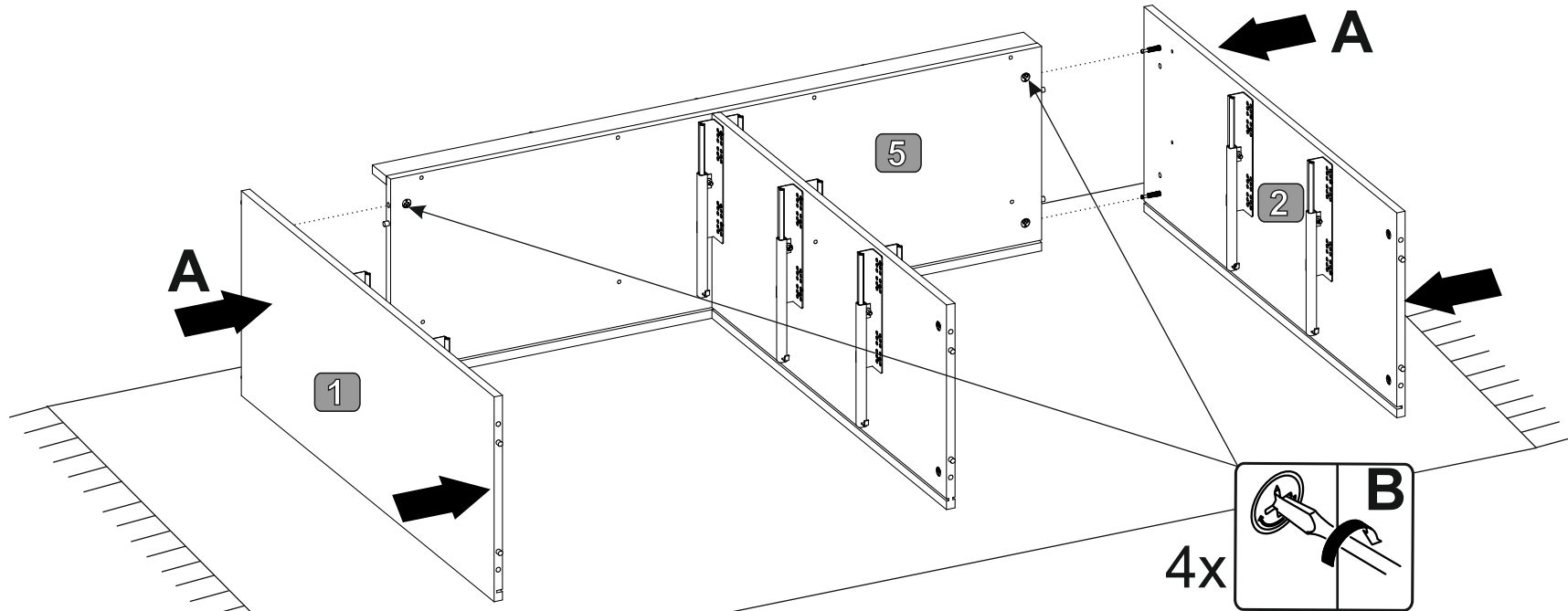


13

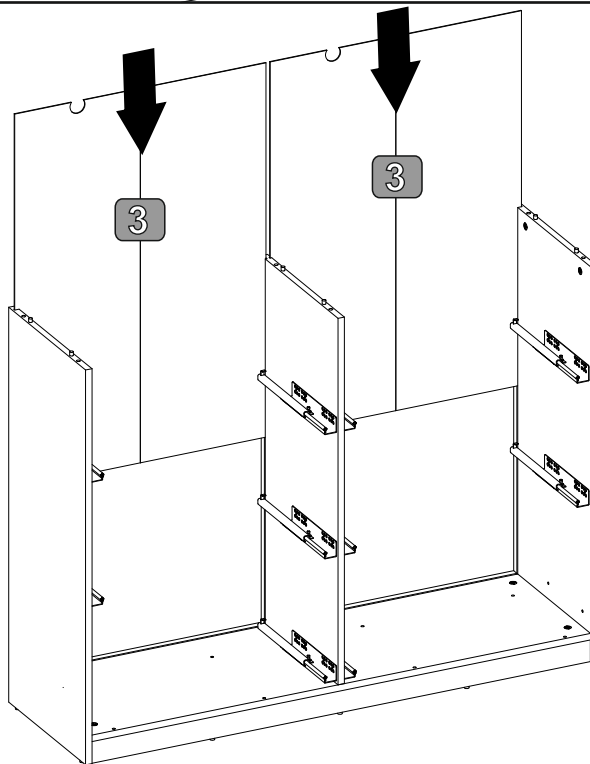
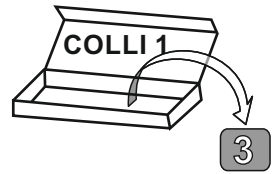
- L3
- 1x K02
- 5x40
- 8x W16



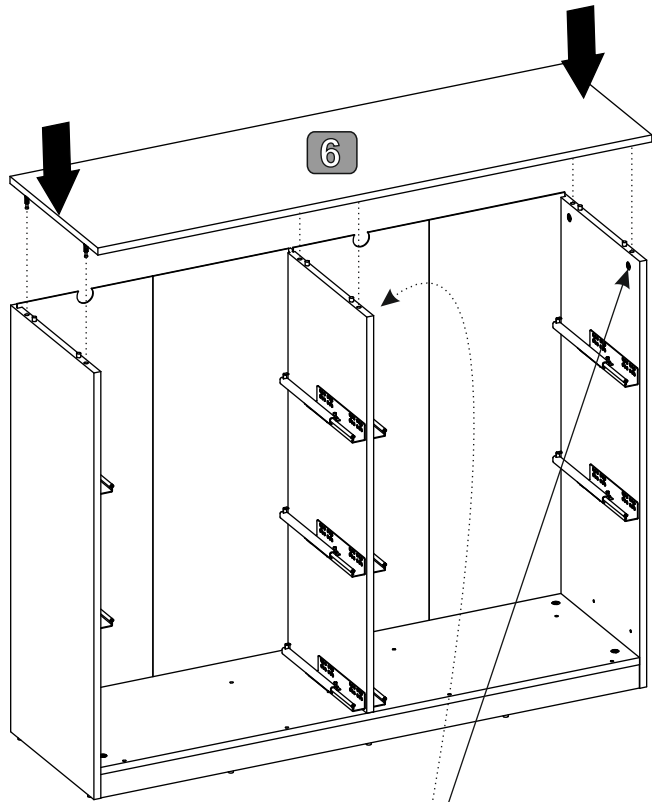
14



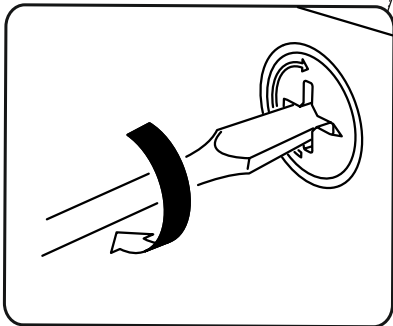
15



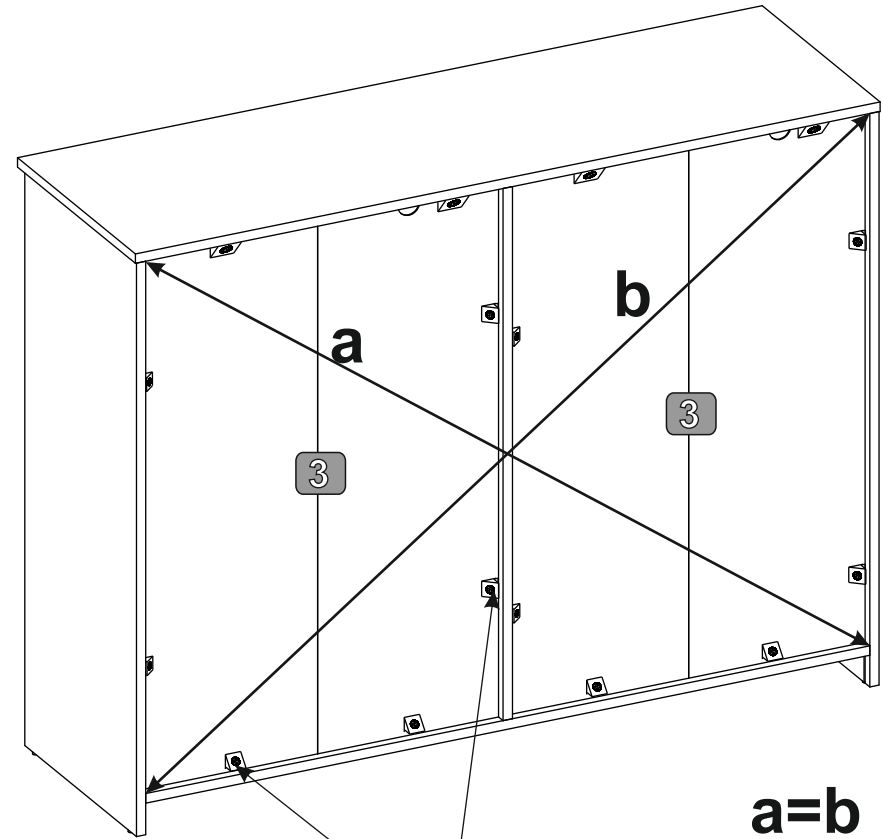
16



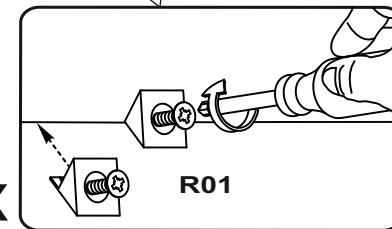
6x




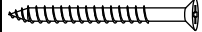


17

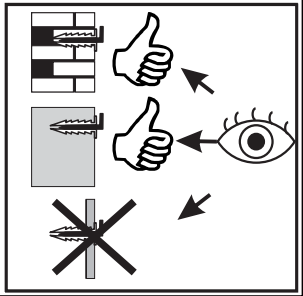
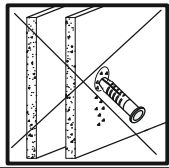
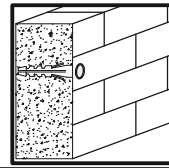
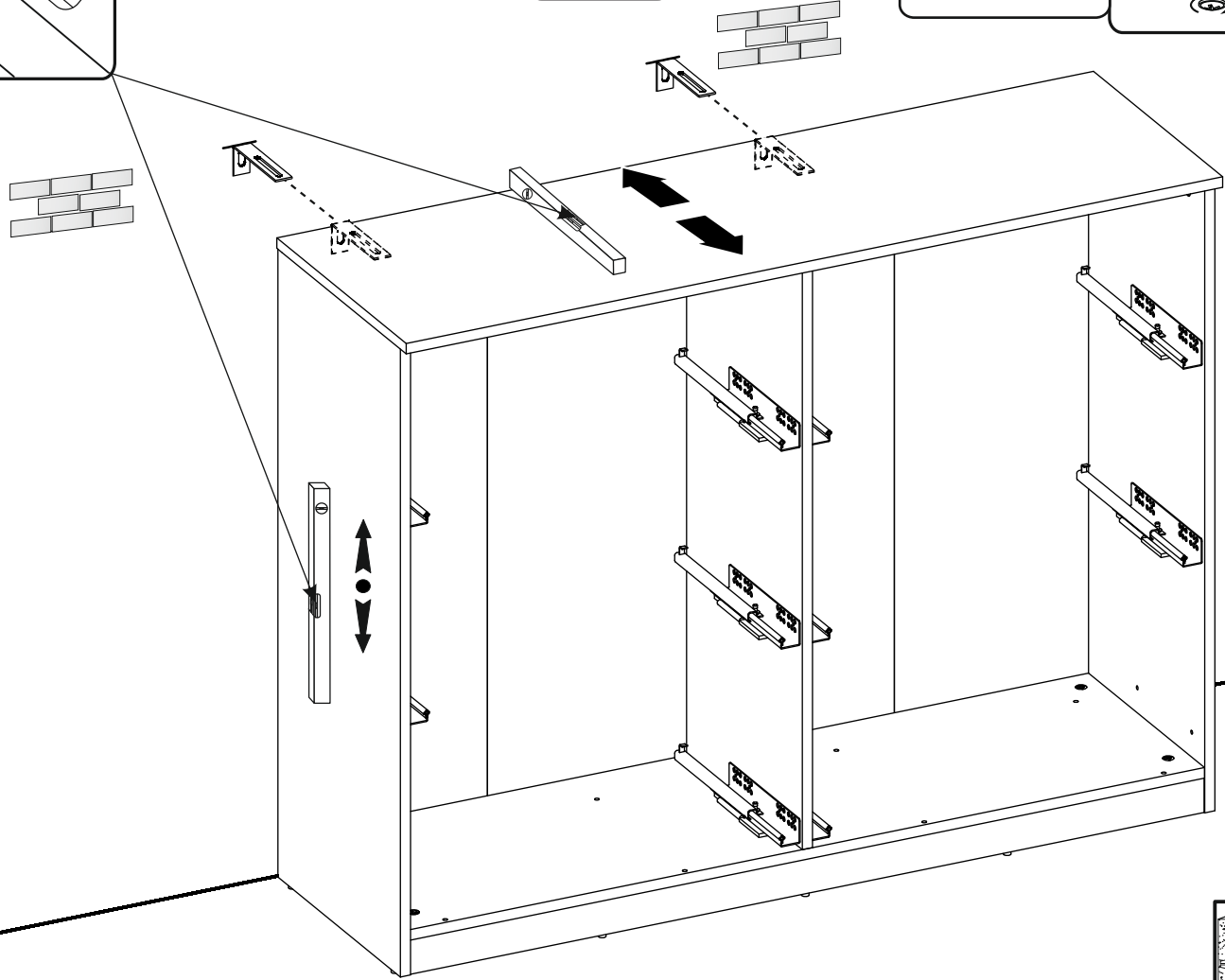
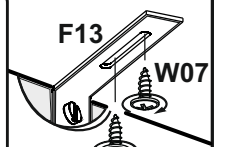
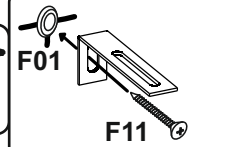
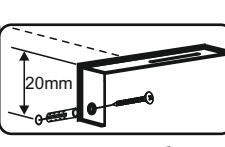
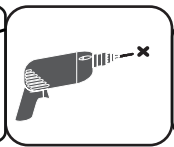
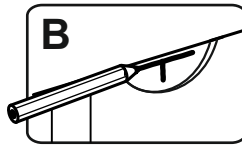
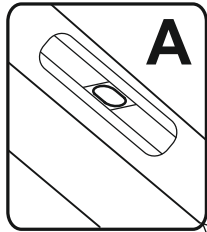


16x

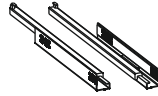
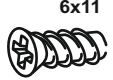
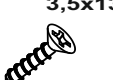


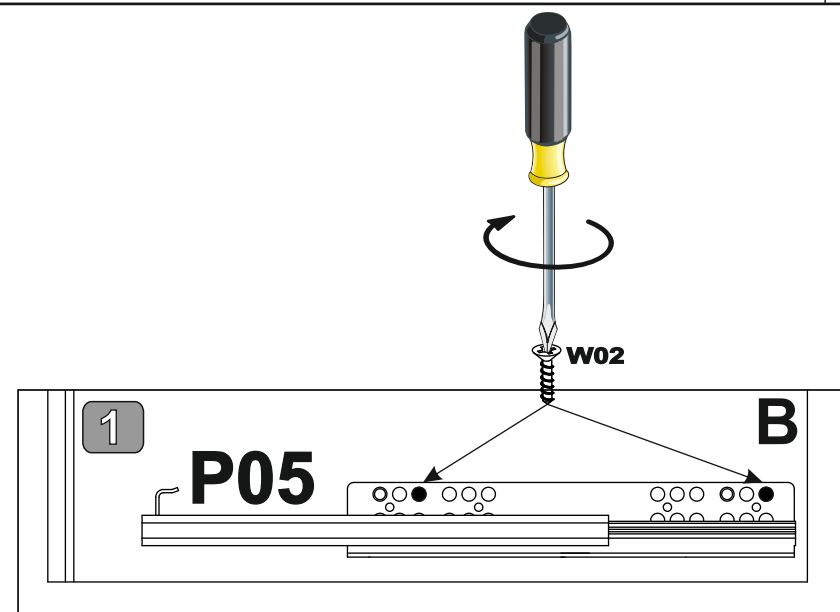
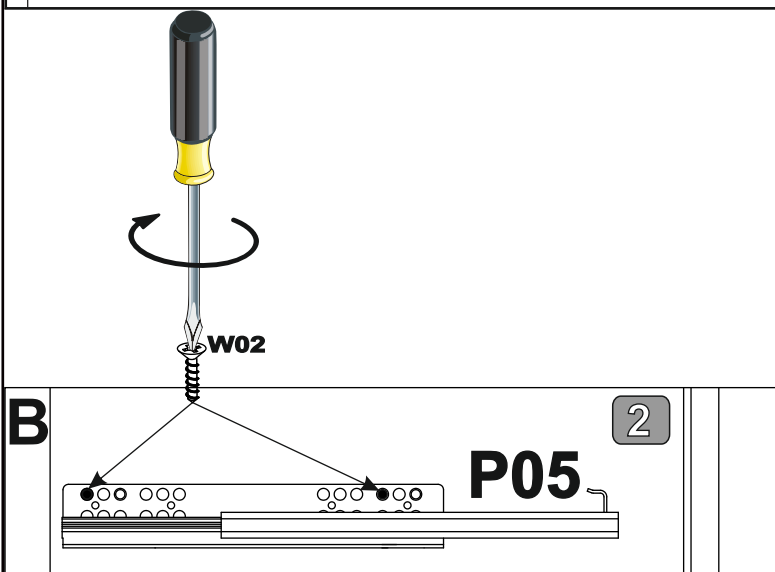
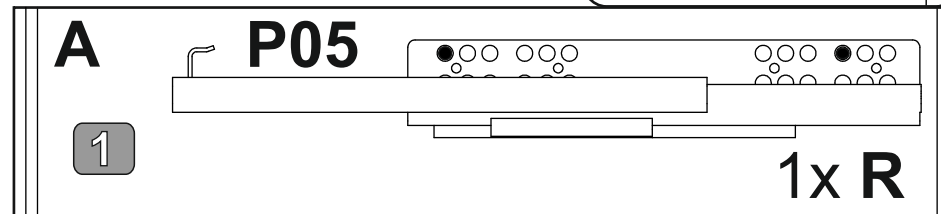
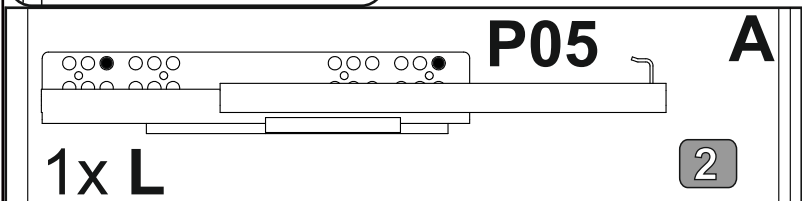
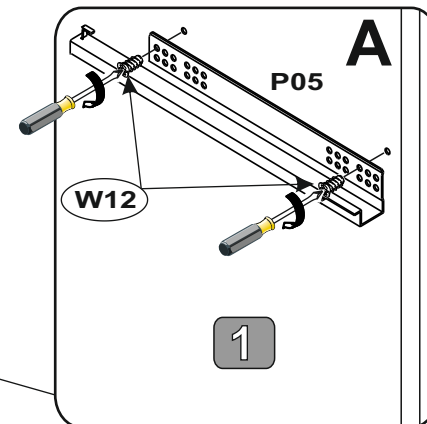
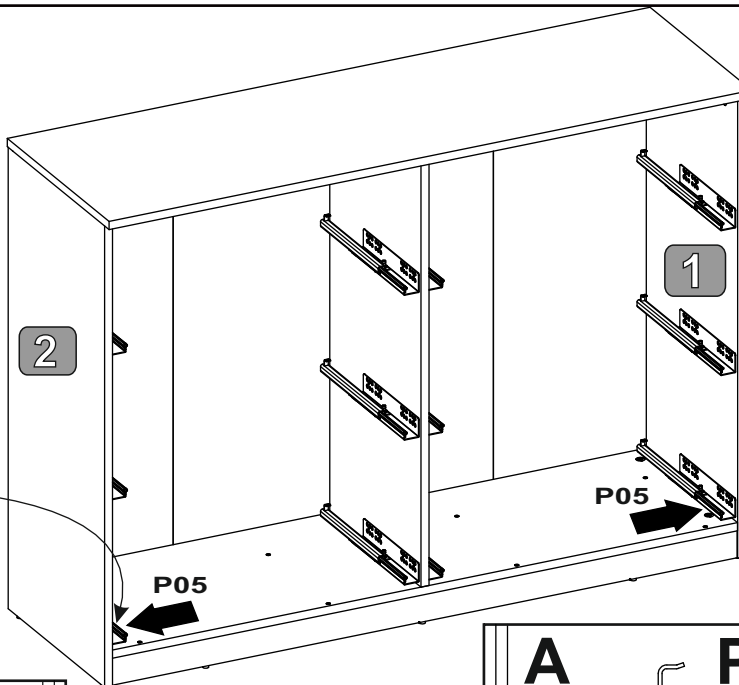
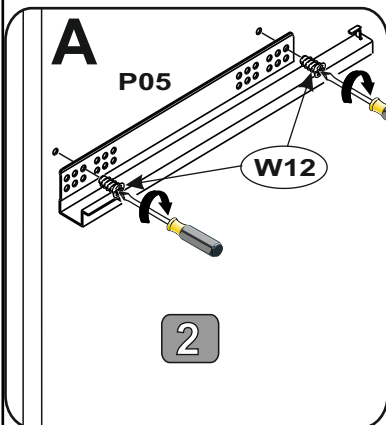
18

 2x F01	 2x F11	 2x F13	 4x13 4x W07
---	---	---	---



19

- | | | |
|---|---|---|
| 
1 XL+R P05 | 
4x W12 | 
4x W02 |
|---|---|---|



20

