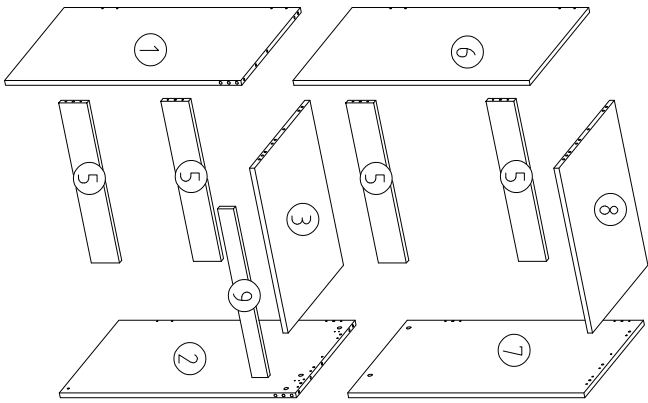
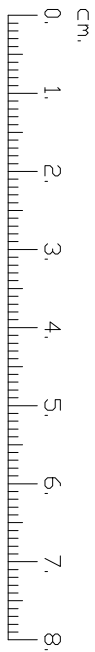
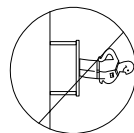
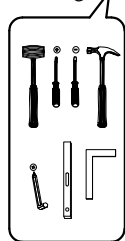
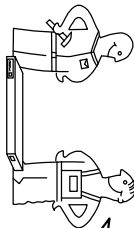
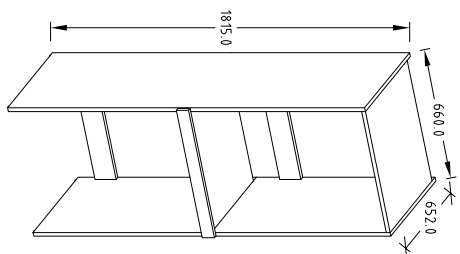
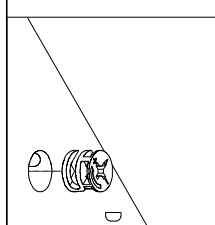
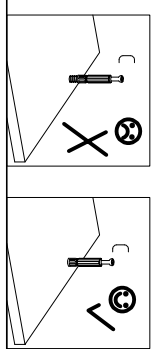
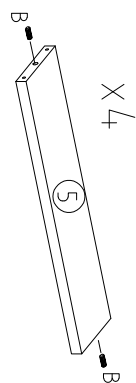
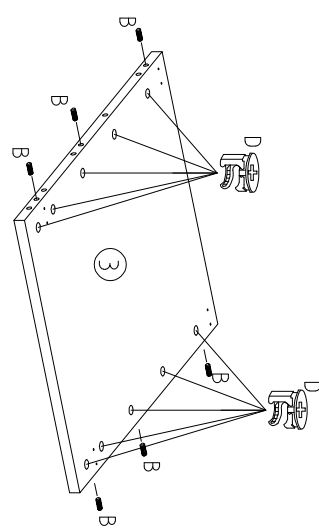
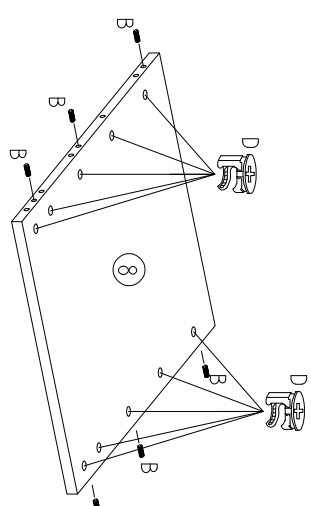


WASHER DRYER

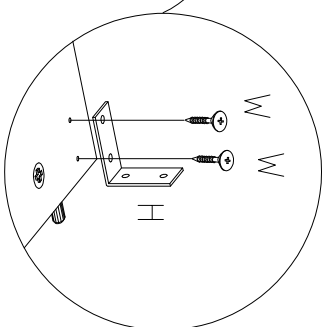
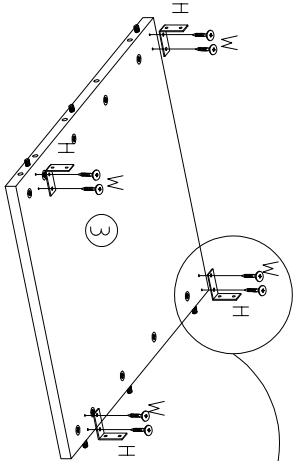


8.0x3.5	20	2	2.0
B	C	D	



A	4	B	30	C	22	D	30	D1	30
D2	16	G	2	H	4	I	4	J	1
L	1	M	2	N	8	T	4	W	16
K	16								

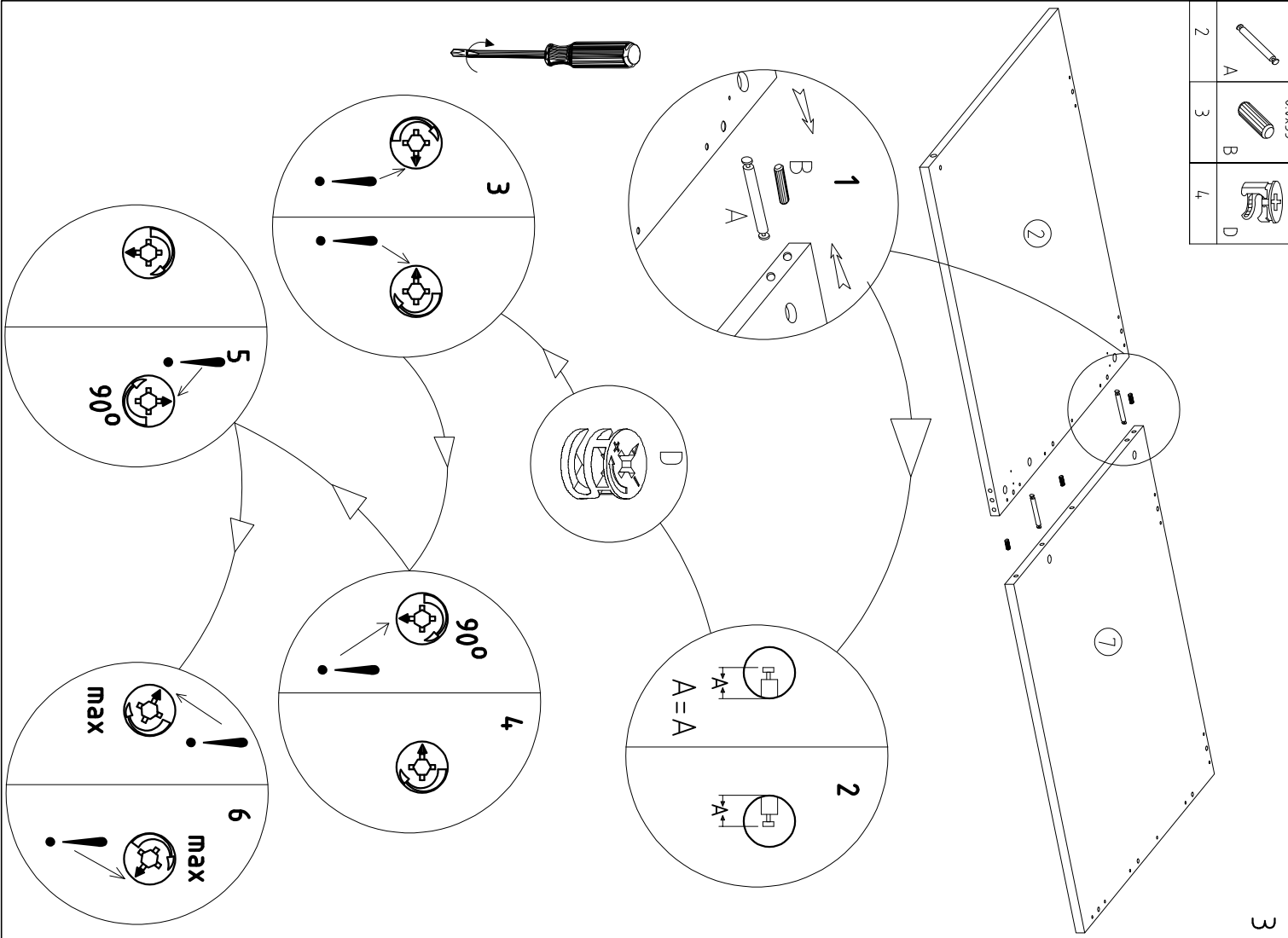
H	4	W	8
---	---	---	---



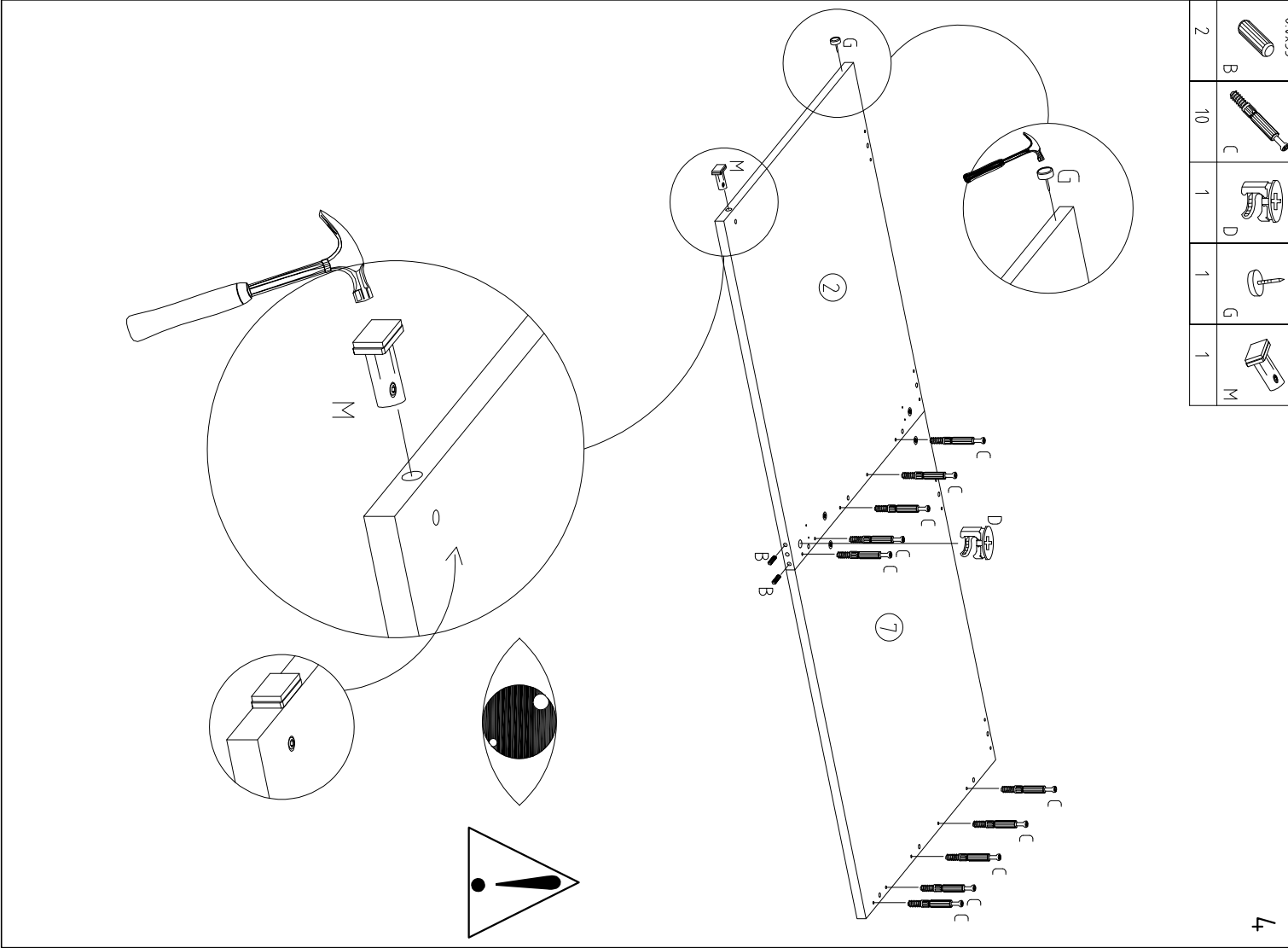
2

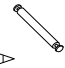


1

8.0x3.5		
A		
B		
D		
2		

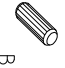










8.0x3.5					
B					
C					
D					
G					
M					
2					
10					
1					
1					
1					

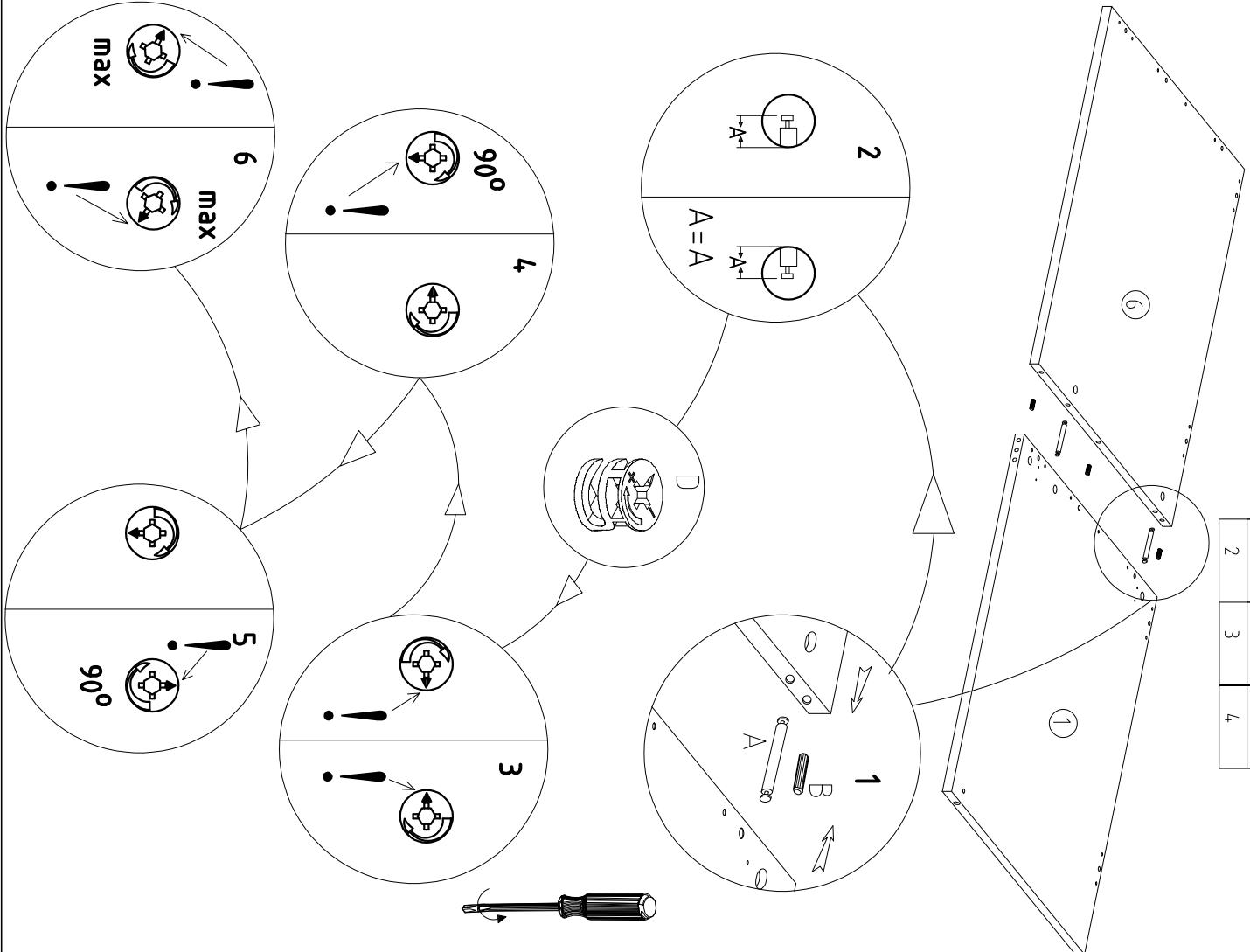
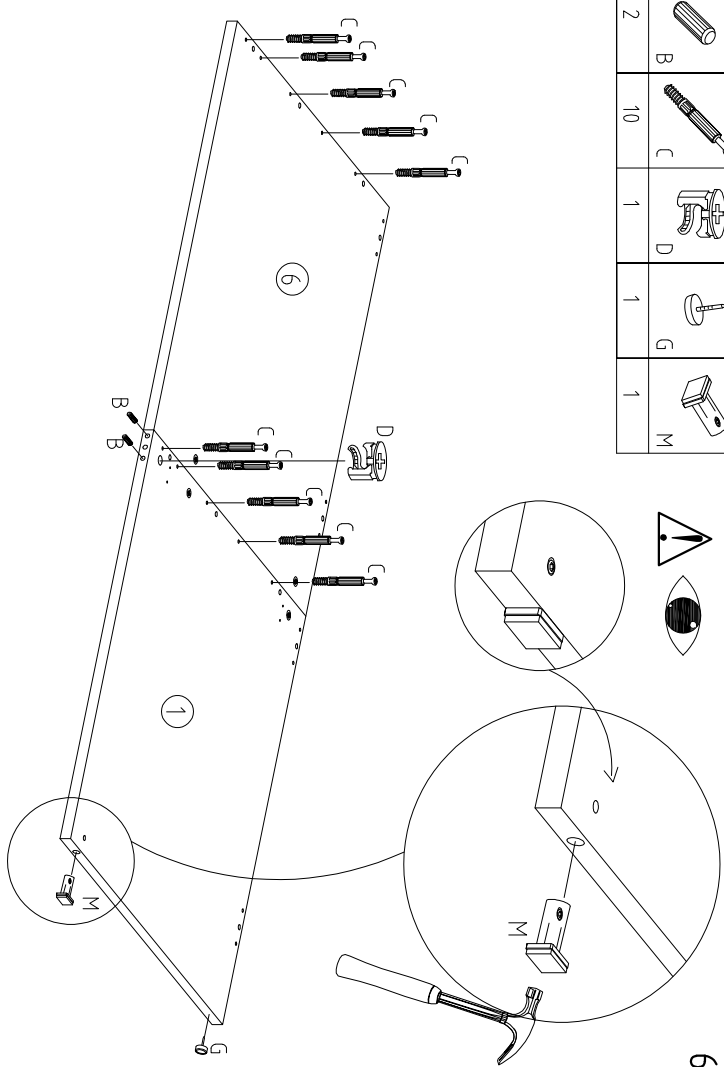


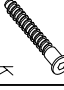

2		8.0x3.5
3		
4		

5

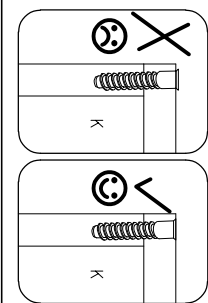
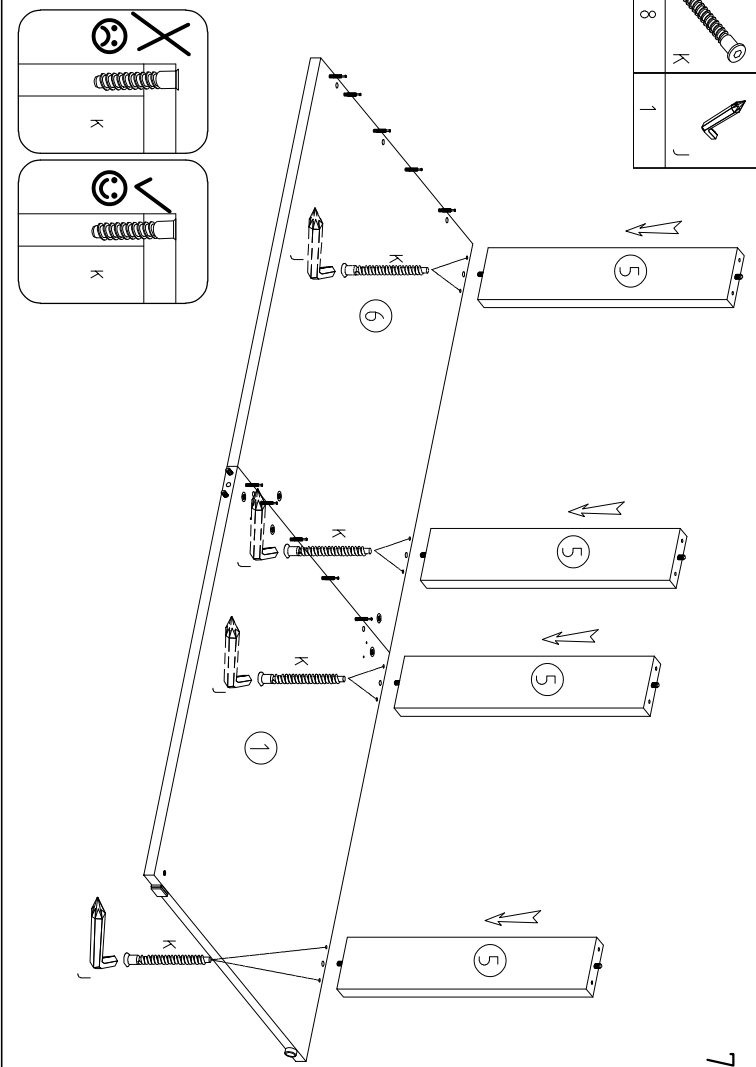
2		8.0x3.5
B		
10		
C		
1		
D		
1		
G		
1		
M		

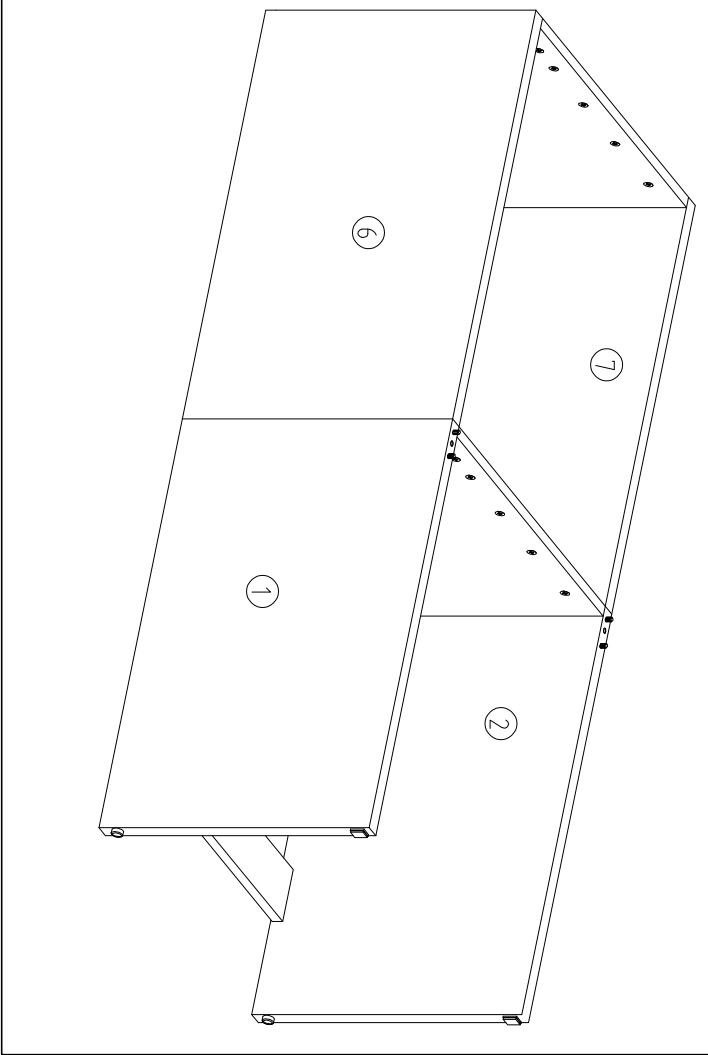
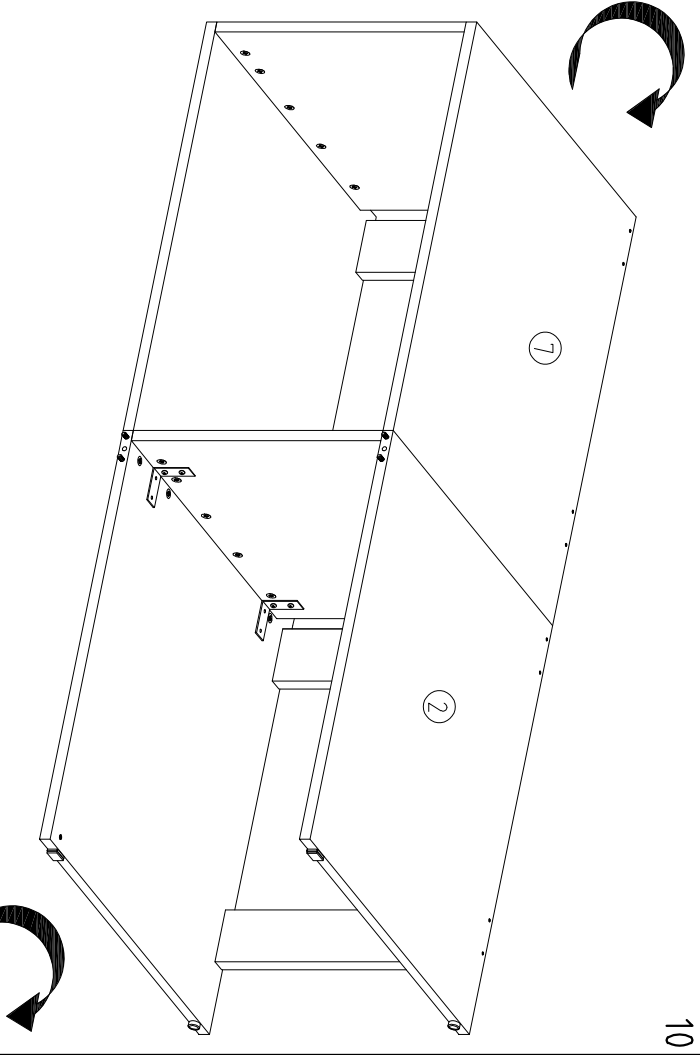
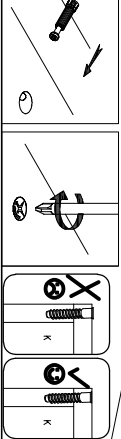
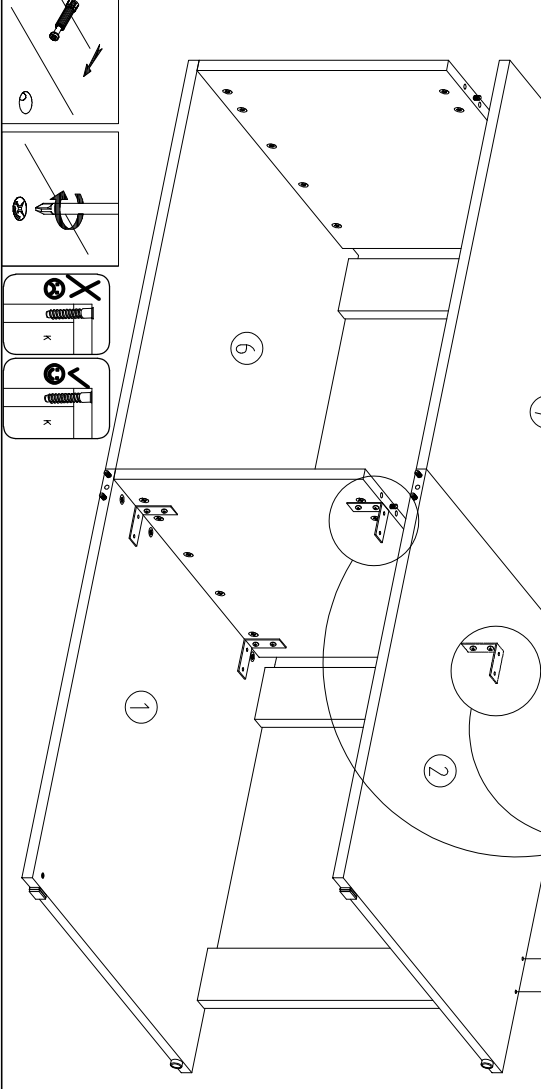
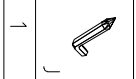
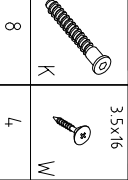
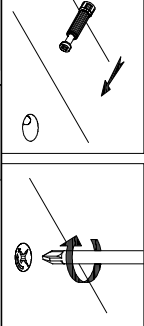
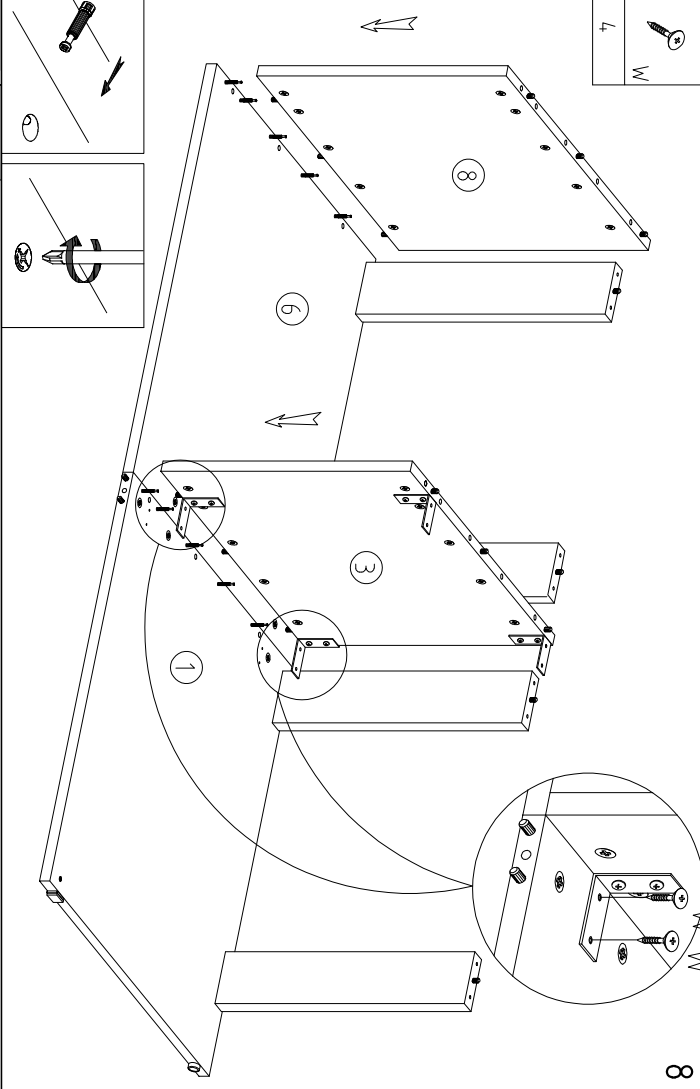
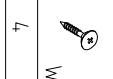
6

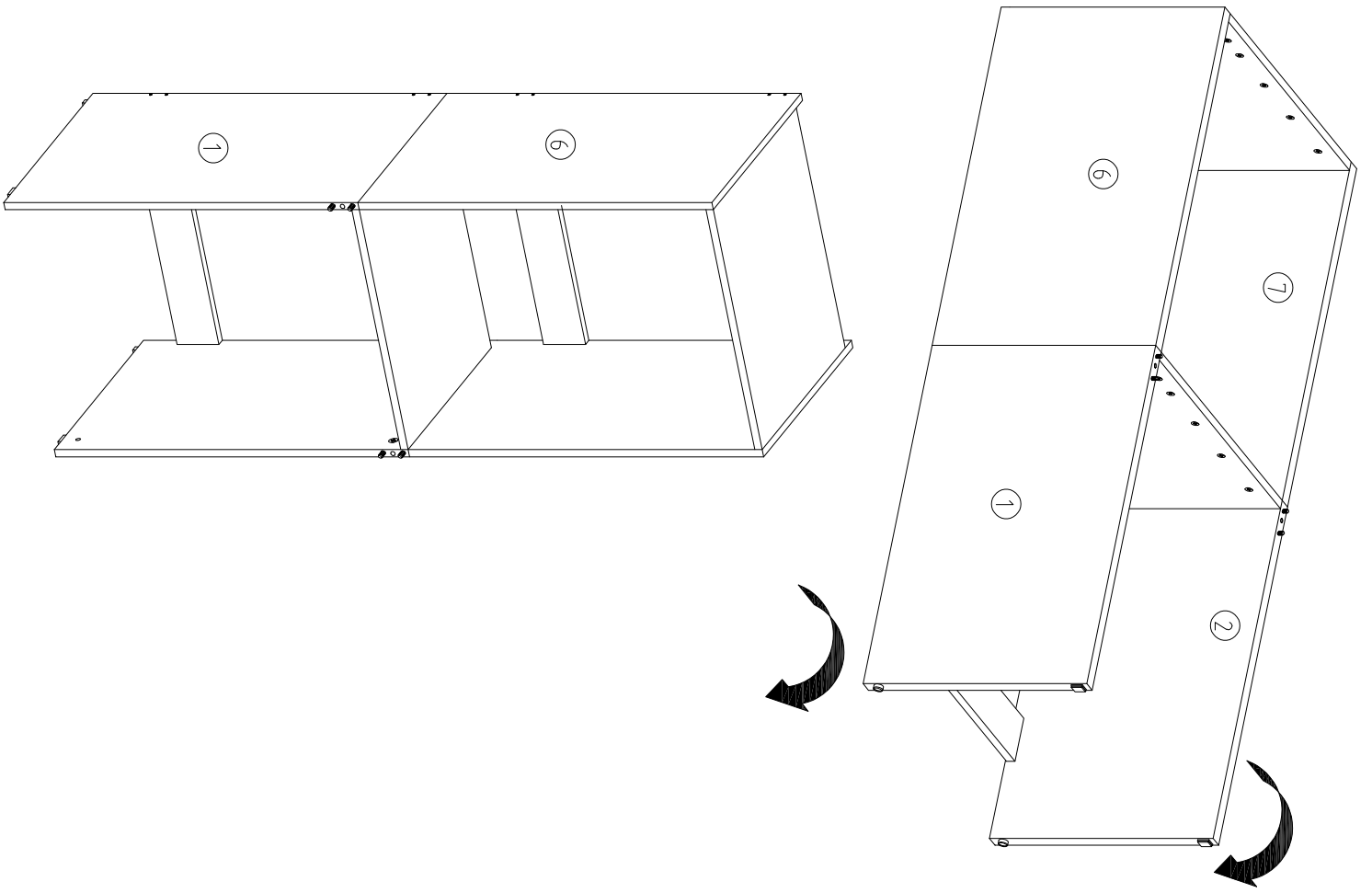


8		
K		
1		

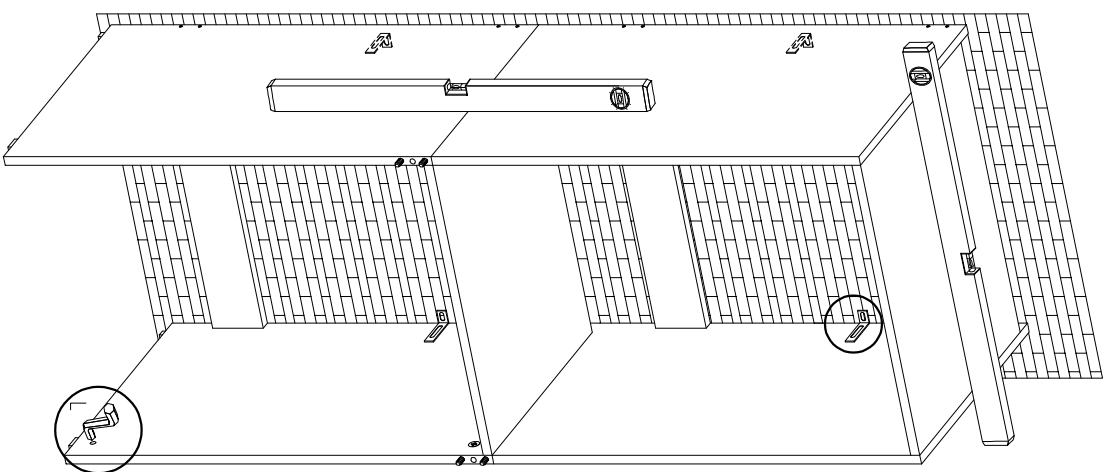
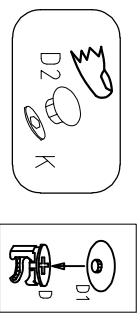
7



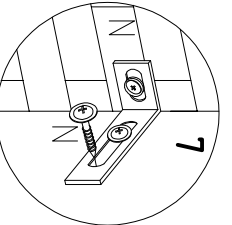
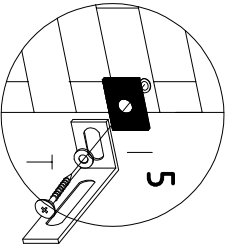
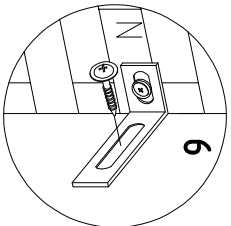
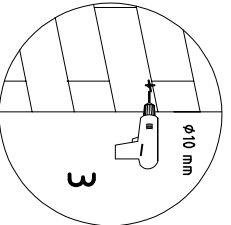
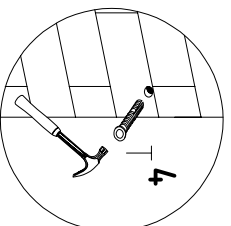
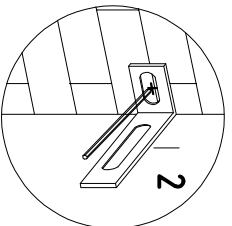
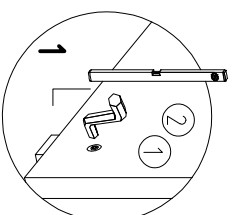




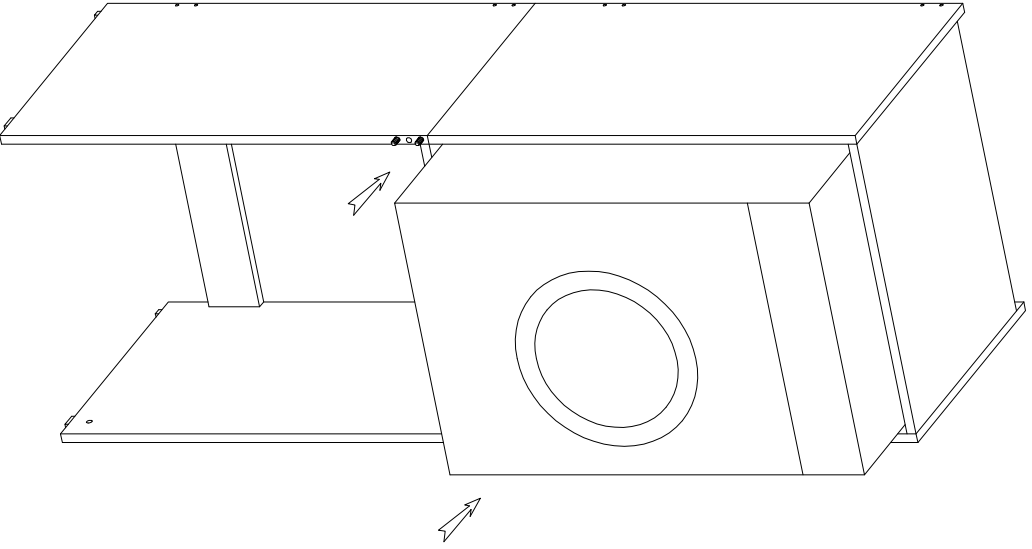
11




28		D1	16		D2	4		I	3 mm	1		L	4		T	8		N	4, 0x16
----	--	----	----	--	----	---	--	---	------	---	--	---	---	--	---	---	--	---	---------

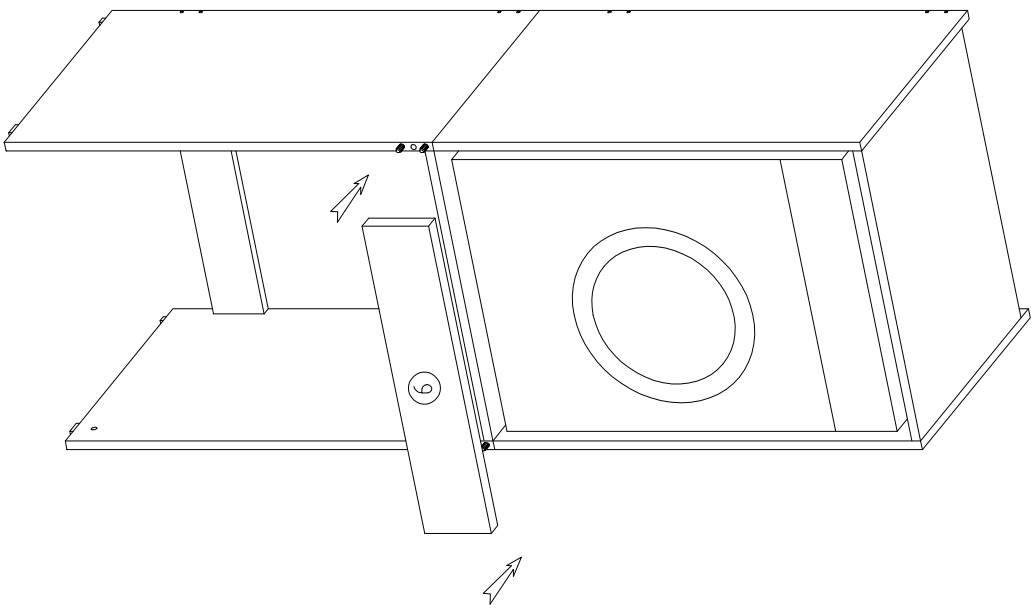
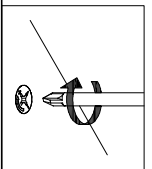
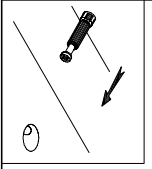


12



13


D1
2



14

