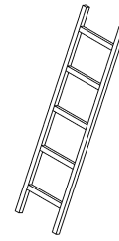
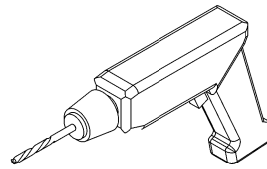
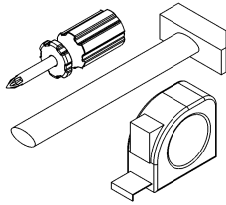
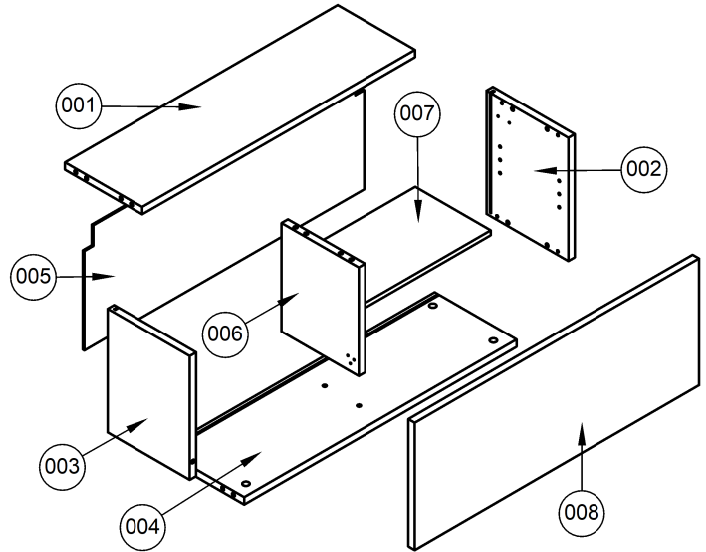
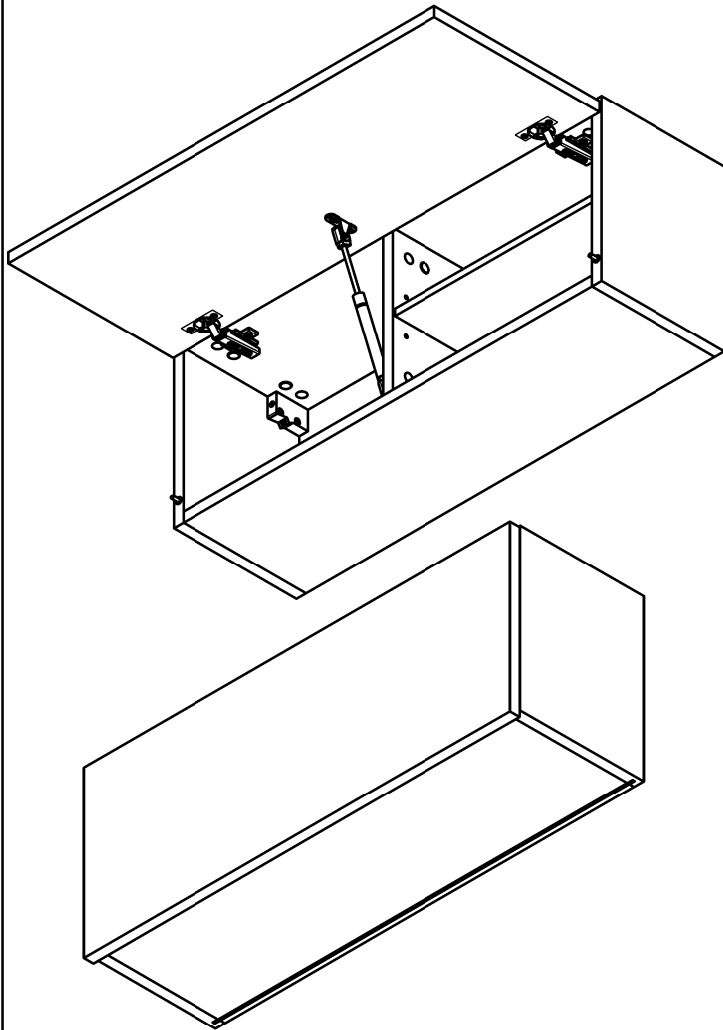


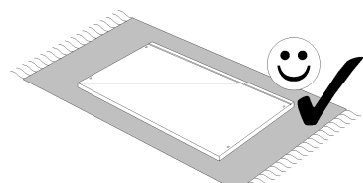
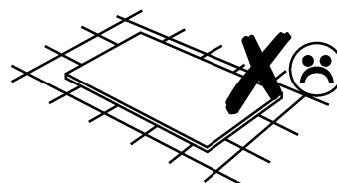
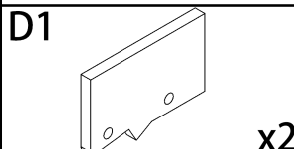
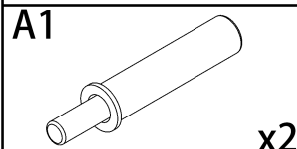
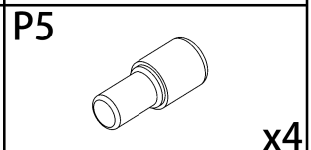
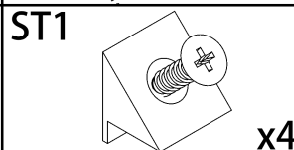
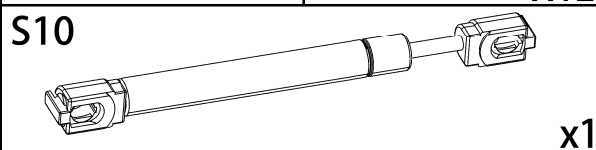
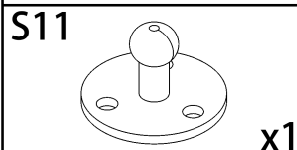
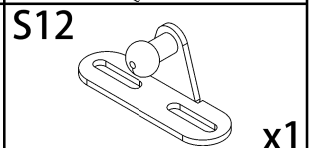
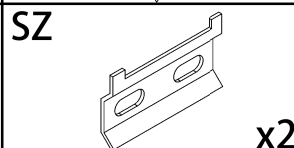
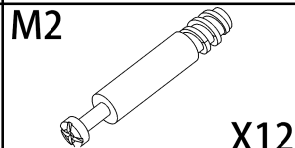
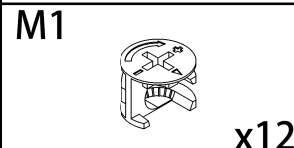
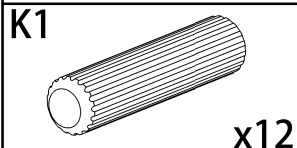
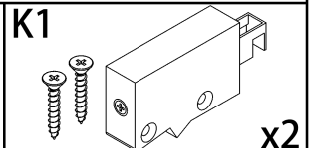
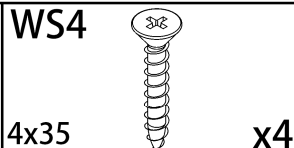
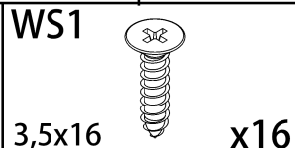
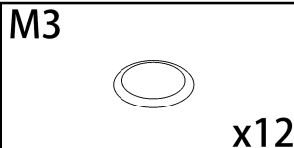
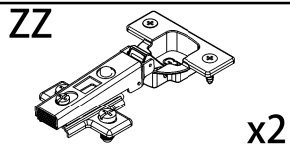
- 45 min.

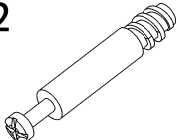
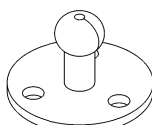
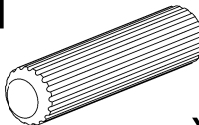

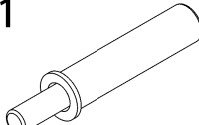


SZL80

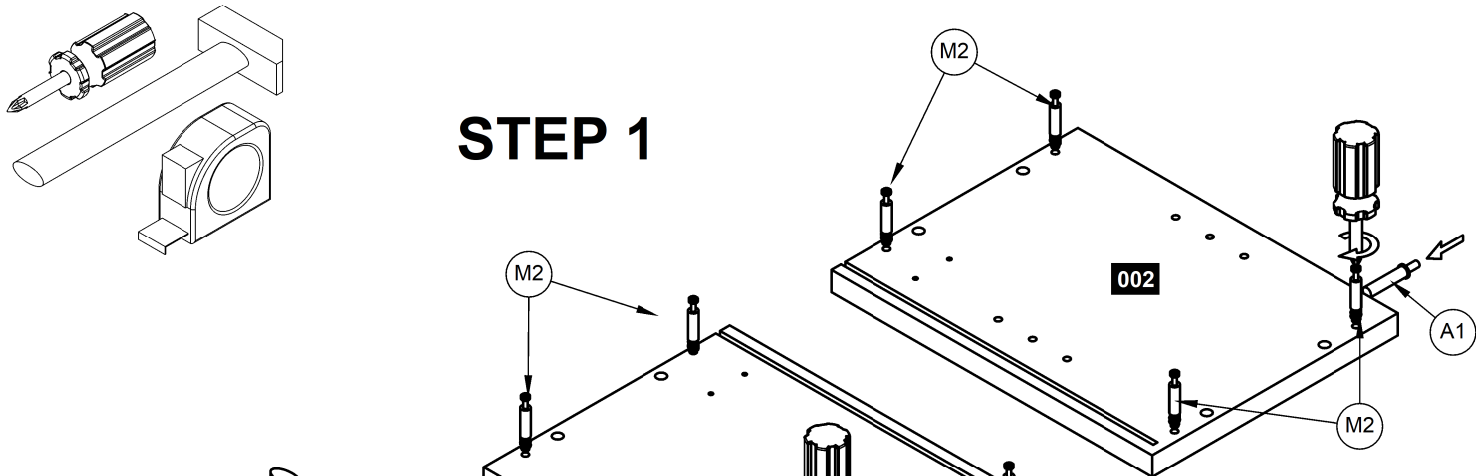


Number	Qty	Size A	Size B
001	1	764	217
002	1	300	230
003	1	300	230
004	1	764	230
005	1	292	784
006	1	264	216
007	1	373	212
008	1	308	798

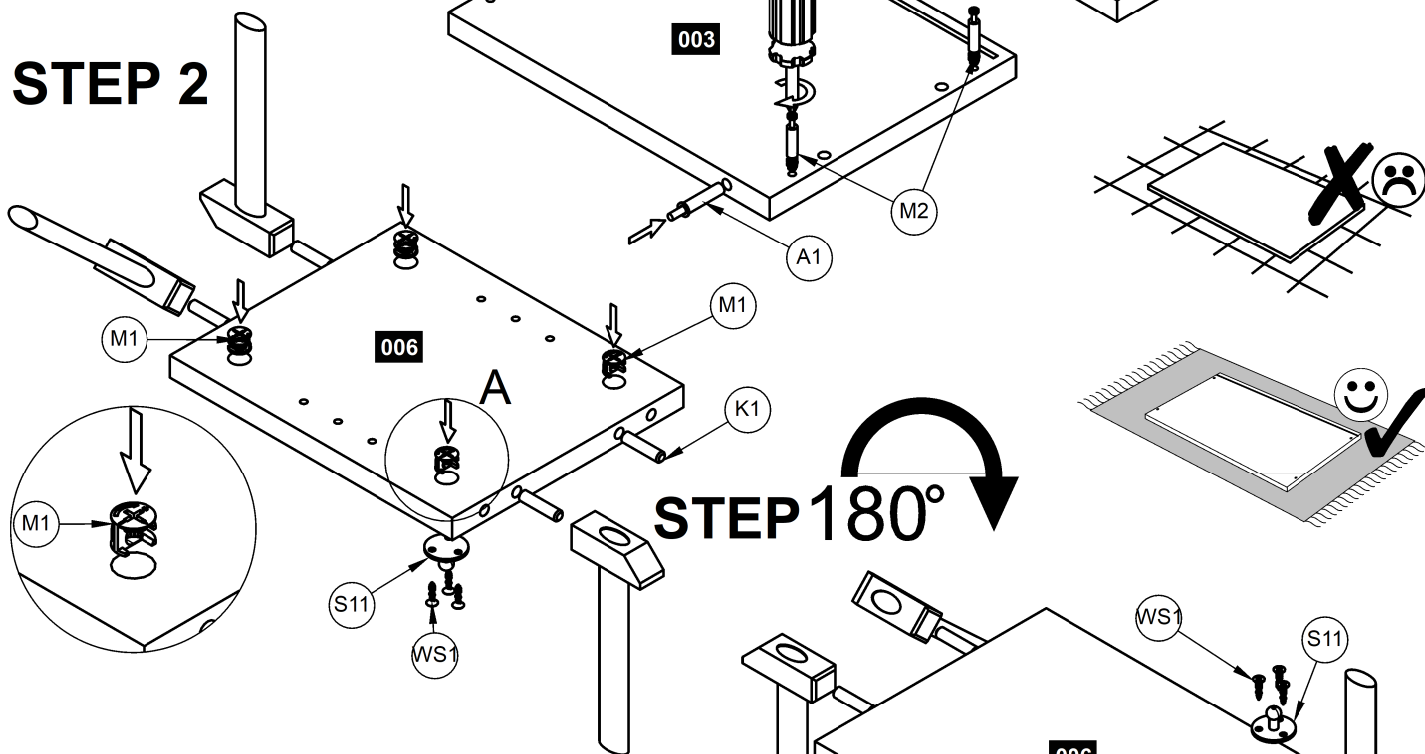


M2  X12	S11  x1	K1  x12	WS1  3,5x16 x16	A1  x2
--	---	---	--	--

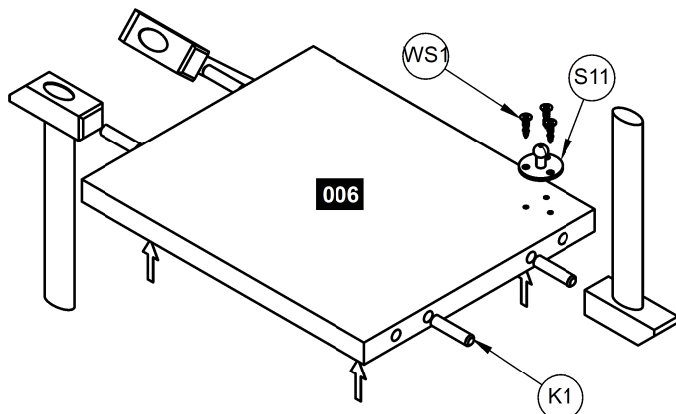
STEP 1



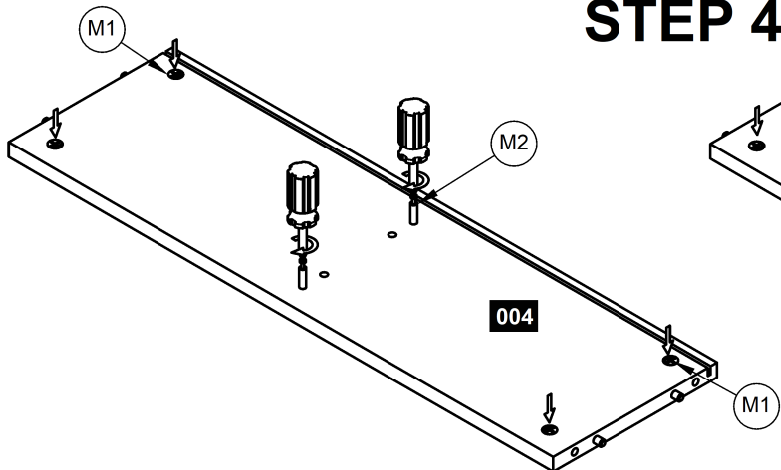
STEP 2



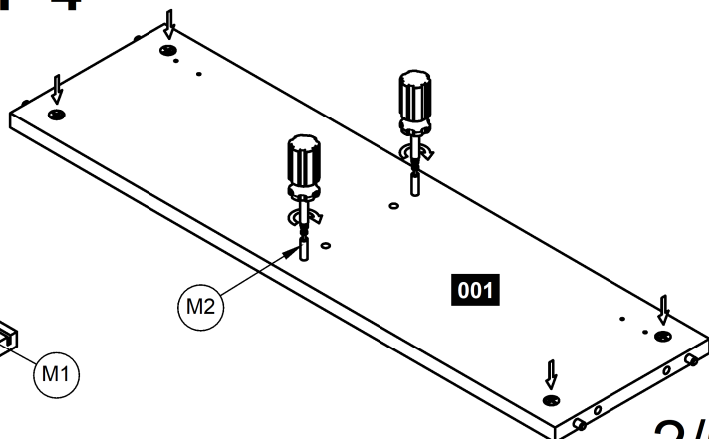
STEP 180°


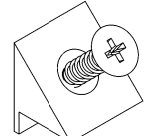
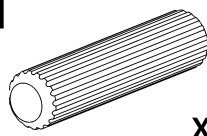
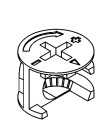
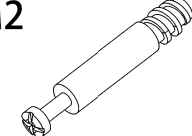
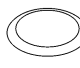
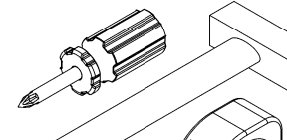


STEP 3

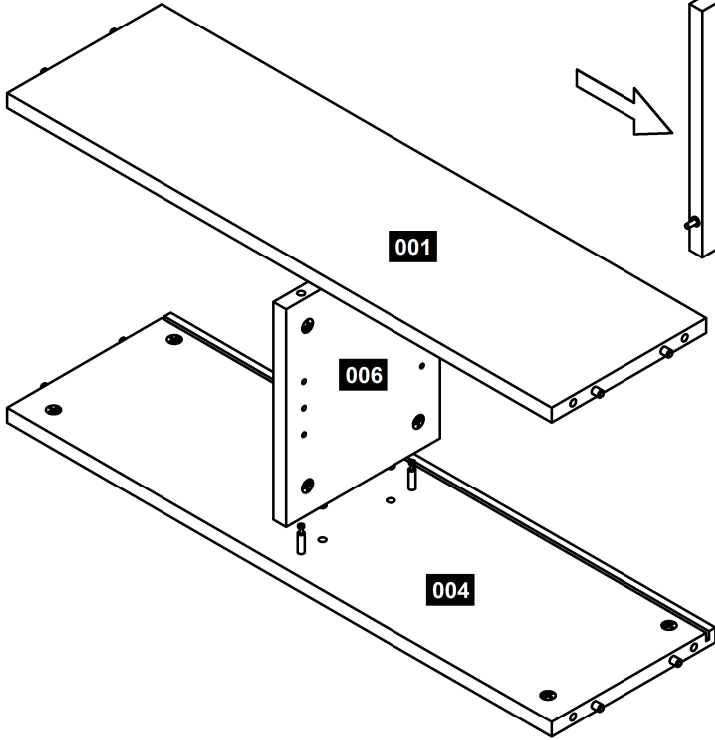


STEP 4

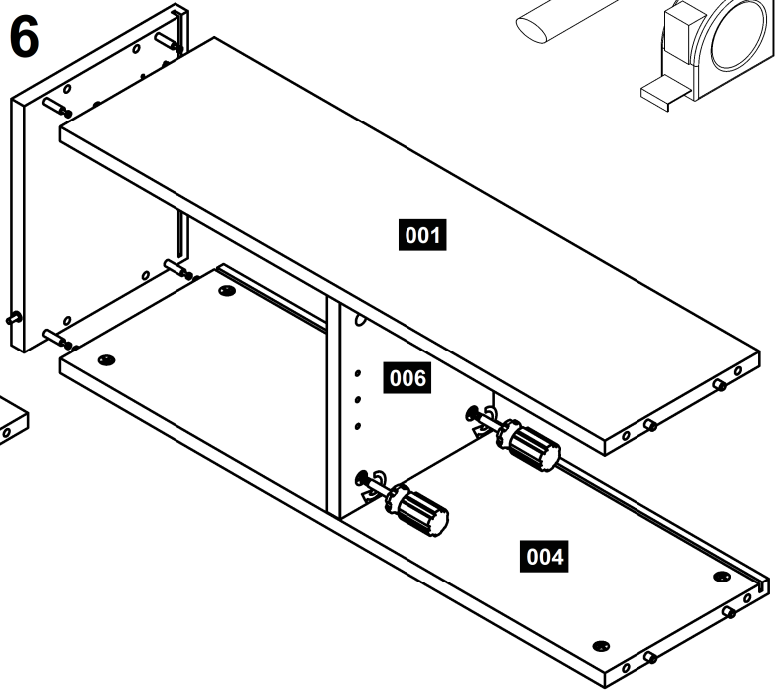


WS1  3,5x16 x16	ST1  x4	K1  x12	M1  x12	M2  x12
M3  x12				

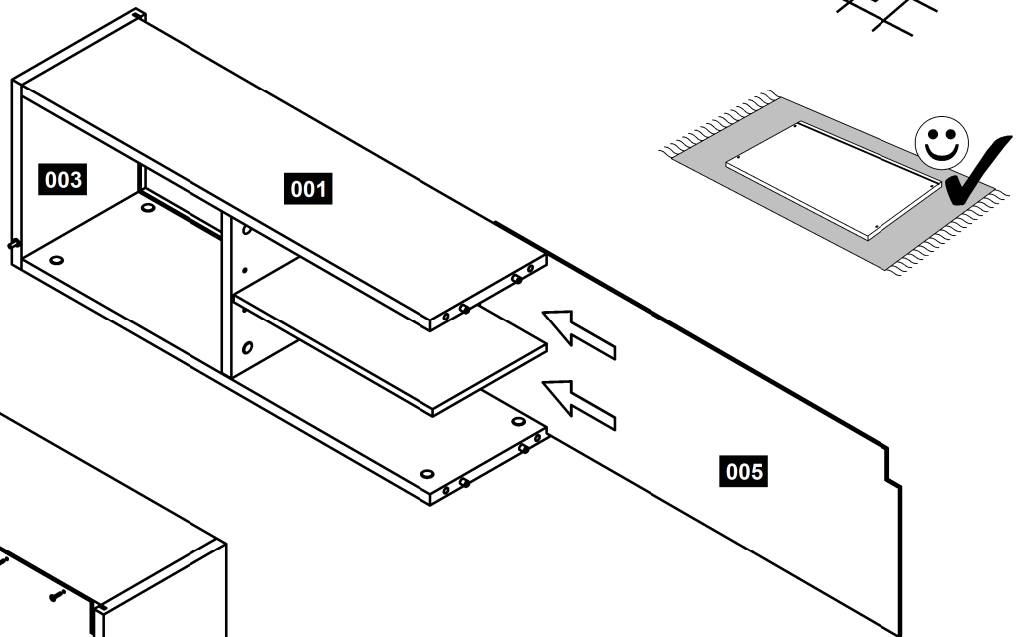
STEP 5



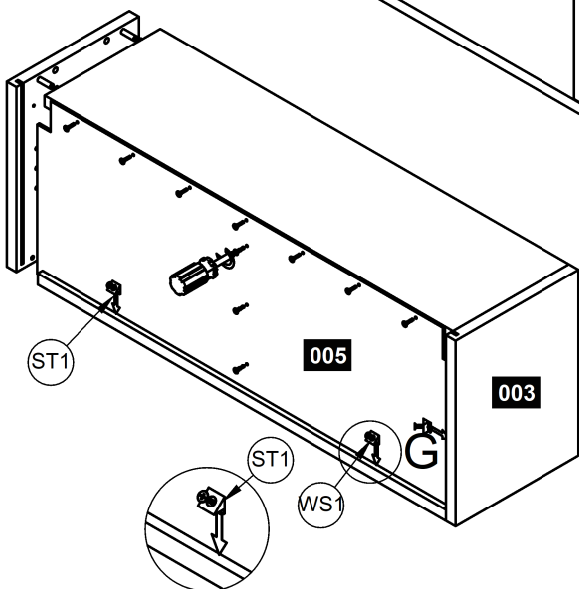
STEP 6

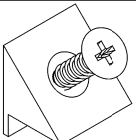
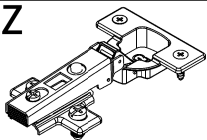

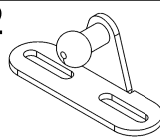
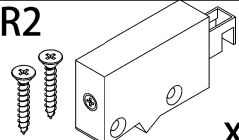
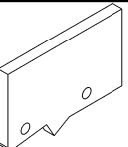


STEP 7



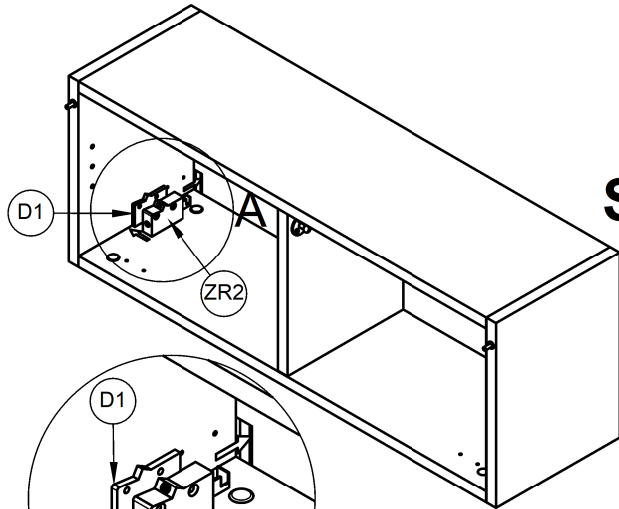
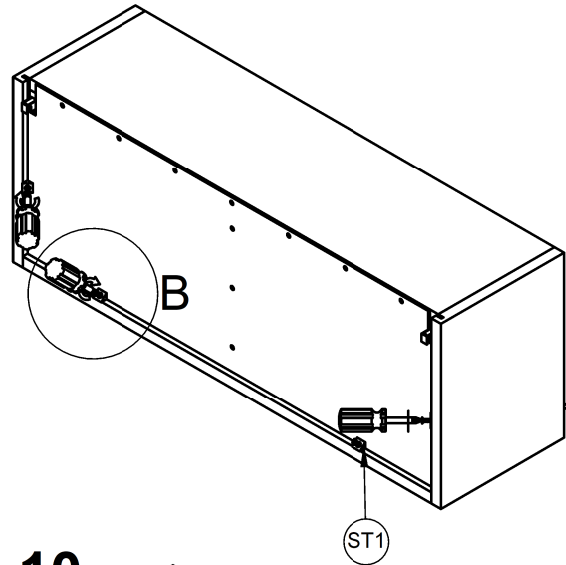
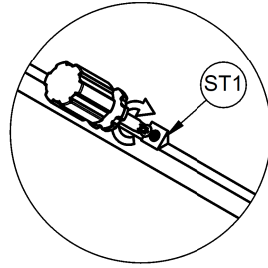
STEP 8



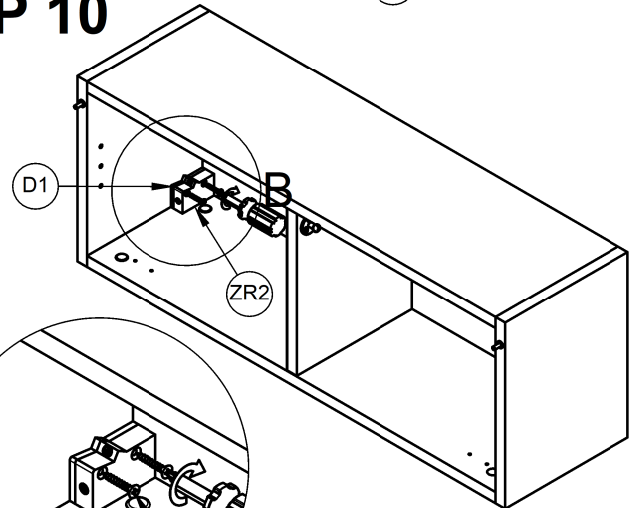
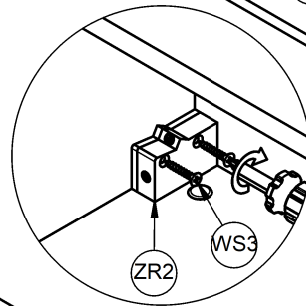
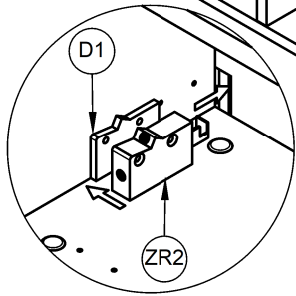
ST1  x4	ZZ  x2	WS1  3,5x16 x16	S12  x1	ZR2  x2
D1  x2				

STEP 9

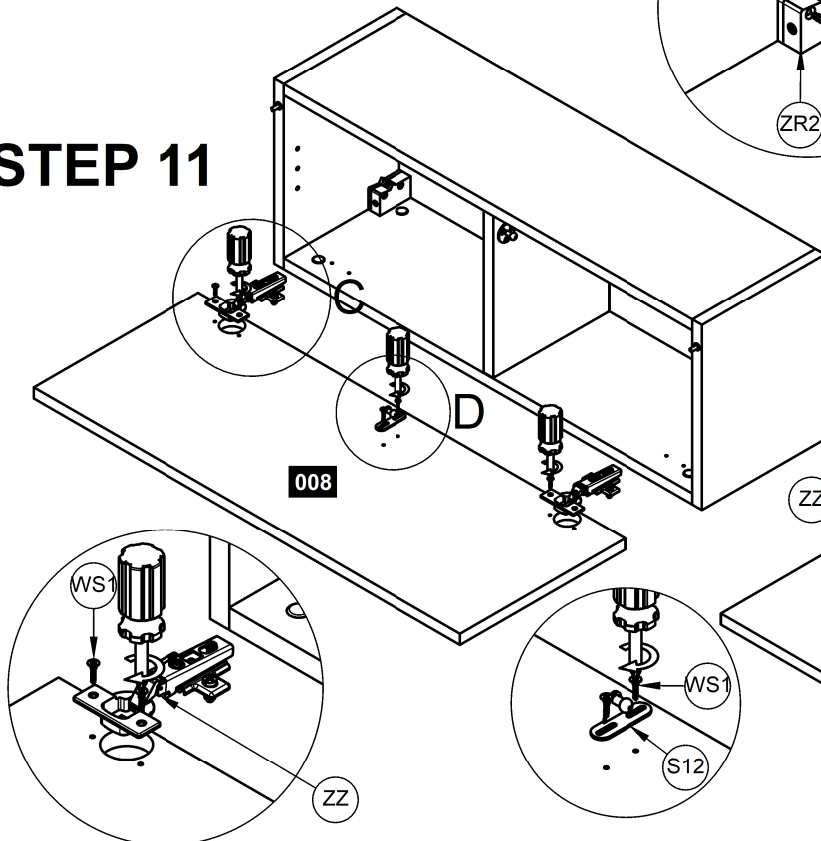
STEP 180°



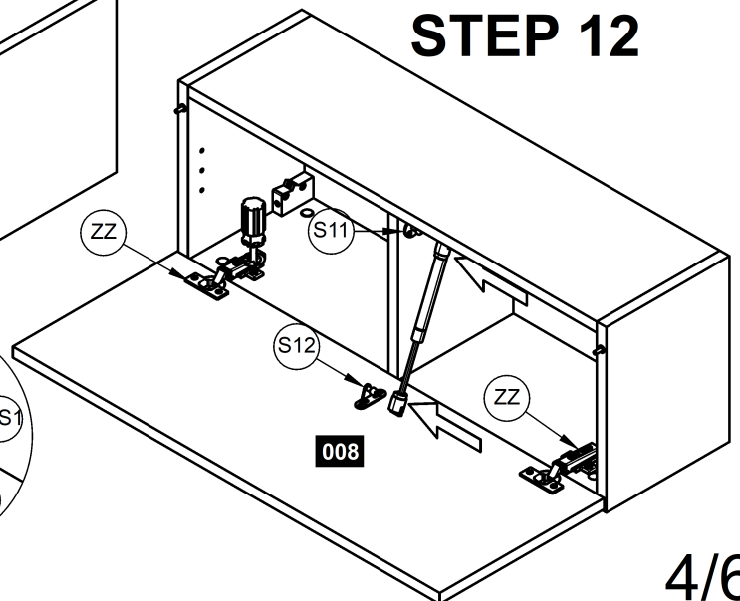
STEP 10

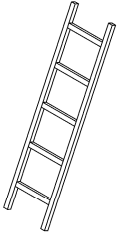
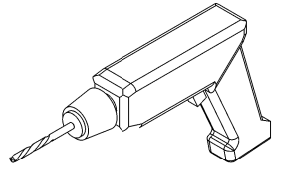
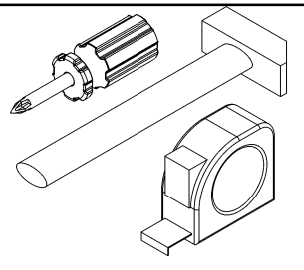
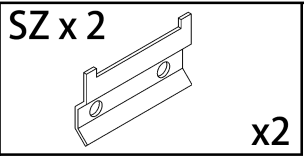


STEP 11



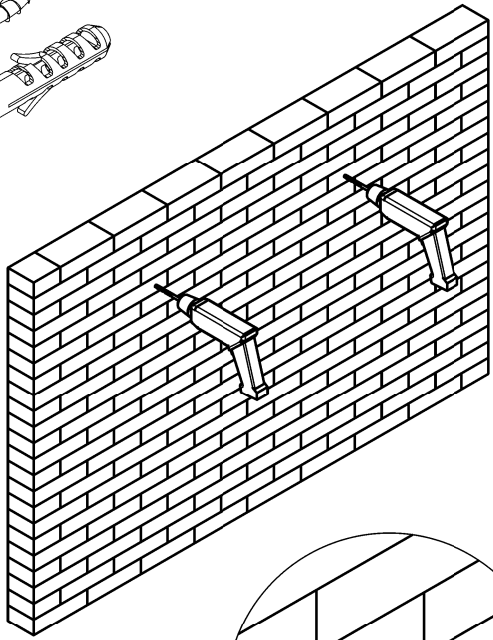
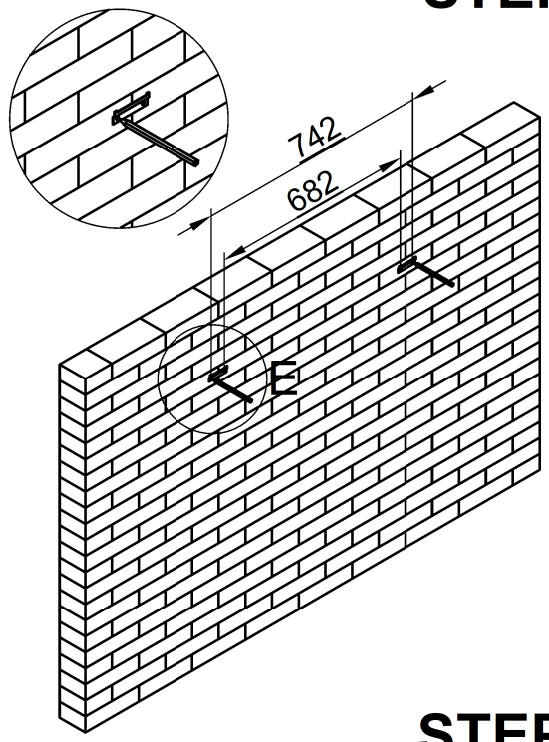
STEP 12



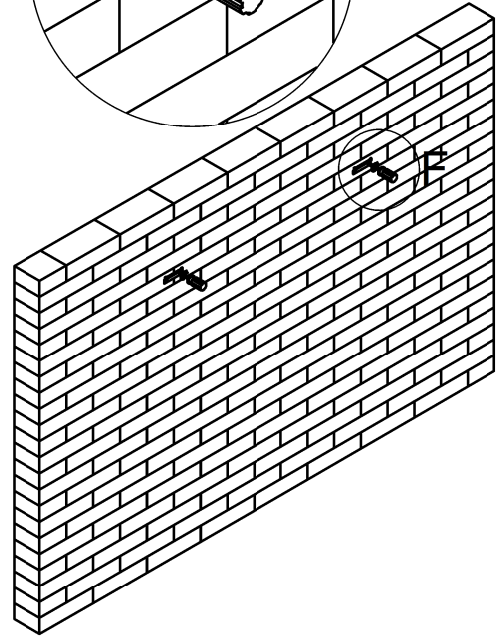


STEP 13

STEP 14



STEP 15



STEP 16

