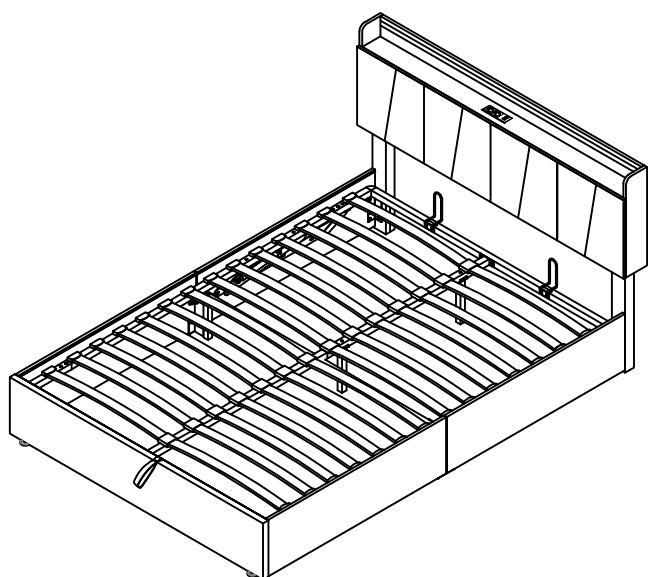


# MONTAGEANLEITUNG

Artikelnummer: WF308787/WF308788/WF308789



Please check that you have all the parts listed before you start assembling, if you do find that something is missing, do not continue assembly, please contact us immediately.

NOTE: Please do not completely tighten all the hardware until the entire assembly is complete!

Bitte überprüfen Sie, ob alle Teile mitgeliefert sind, bevor Sie mit der Montage beginnen. Wenn Sie festlegen, dass etwas fehlt, setzen Sie die Montage nicht fort. Bitte kontaktieren Sie uns sofort.

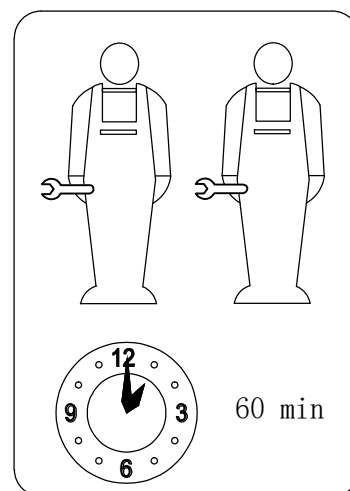
Achtung: Bitte ziehen Sie nicht alle Schrauben fest, bevor die Montage abgeschlossen ist!

- |                             |                               |
|-----------------------------|-------------------------------|
| Ⓓ Gebrauchsanweisung        | ⒸⒺ Instructions for use       |
| ⒶⒺ Gebruiksrichtlijnen      | ⒻⒺ Instructions d'utilisation |
| ⒾⒹ Istruzioni per l'uso     | ⒶⒺ Instrukcja obsługi         |
| ⒸⒺ Pokyny k použití         | ⒺⒺ Instrucciones de empleo    |
| ⒻⒺ Használati útmutató      | ⒶⒺ Instrucțiuni de folosire   |
| ⒶⒹ Instruções de utilização | ⒶⒺ ИHCТpyКциЯ по мoHTажy      |
| ⒶⒺ Pokyny k použitiu        | ⒶⒺ Kullanım talimatları       |

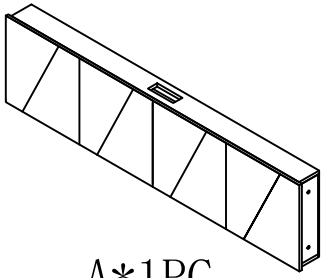
This set will be shipped by 3 boxes and they may arrive on different days. If all packages arrived but parts missing, please contact customer service.

Dieses Set wird in drei Boxen versendet und kann auf Anfrage ankommen.

Wenn alle Pakete angekommen sind, aber Teile fehlen, Bitte wenden Sie sich an den Kundendienst.

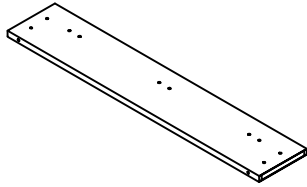


# WF308787

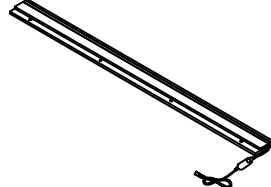


A\*1PC

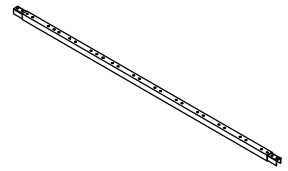
# WF308789



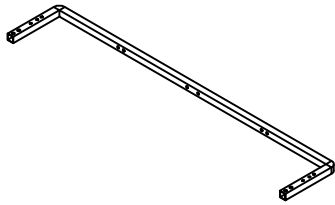
B\*1PC



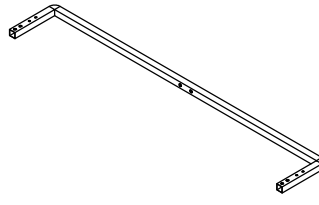
E\*1PC



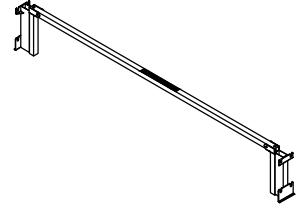
K\*2PCS



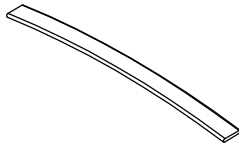
J1\*1PC



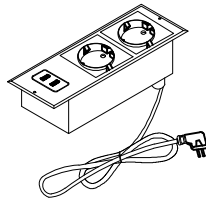
J2\*1PC



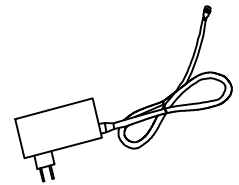
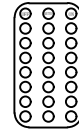
I\*1PC



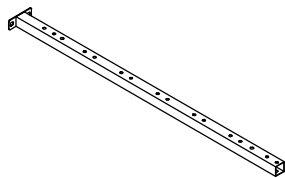
L\*28PCS



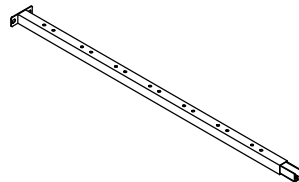
M\*1PC



P\*1PC

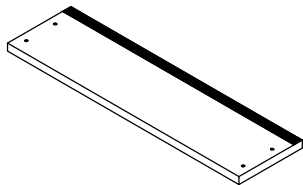


O1\*1PC

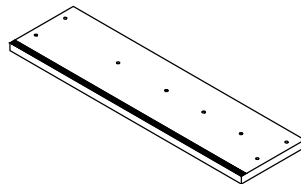


O2\*1PC

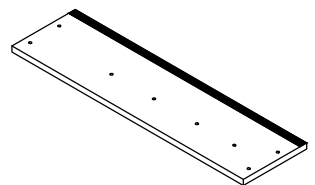
# WF308788



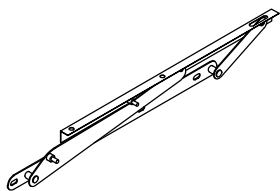
C\*2PCS



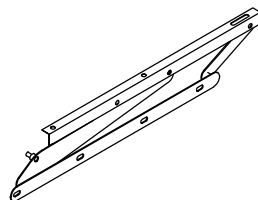
D1\*1PC



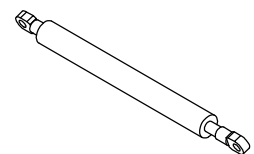
D2\*1PC



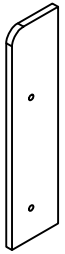
H1\*1PC



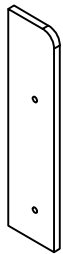
H2\*1PC



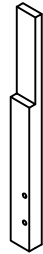
N\*2PCS



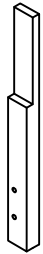
F1\*1PC



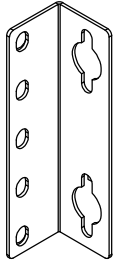
F2\*1PC



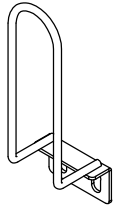
G1\*1PC



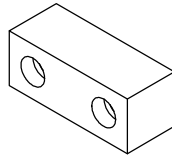
G2\*1PC



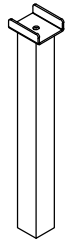
S\*4PCS



Q\*2PCS



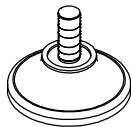
T\*3PCS



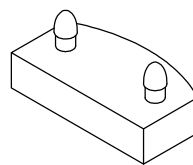
R\*2PCS



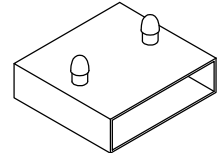
U\*1PC



V\*2PCS

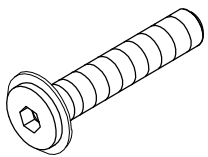


W1\*28PCS

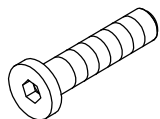


W2\*14PCS

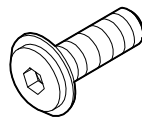
### Hardware List-Hardwareliste WF308788



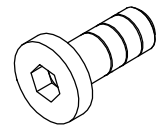
M8\*50MM  
X1\*10PCS



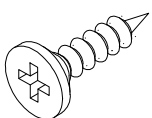
M8\*45MM  
X2\*10PCS



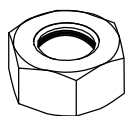
M8\*30MM  
X3\*48PCS



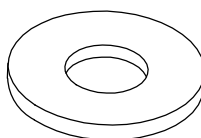
M8\*16MM  
X4\*10PCS



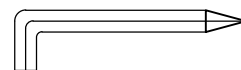
M3\*16MM  
X5\*2PCS



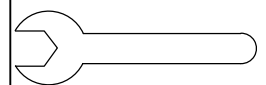
M8  
Y\*10PCS



φ22\*φ8.5  
Z1\*8PCS



M8  
Z2\*1PC



M8  
Z3\*1PC

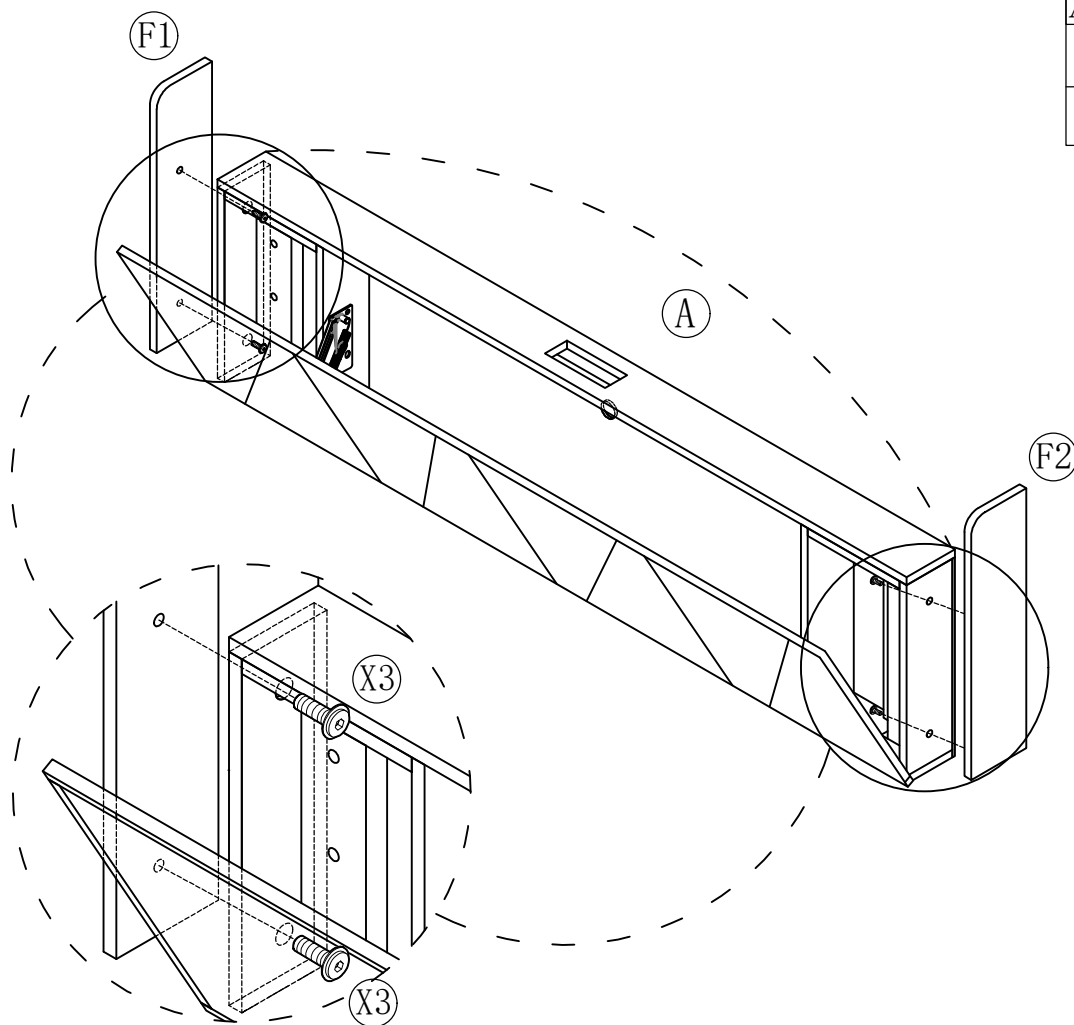
# Step1

## Schritt1

X3

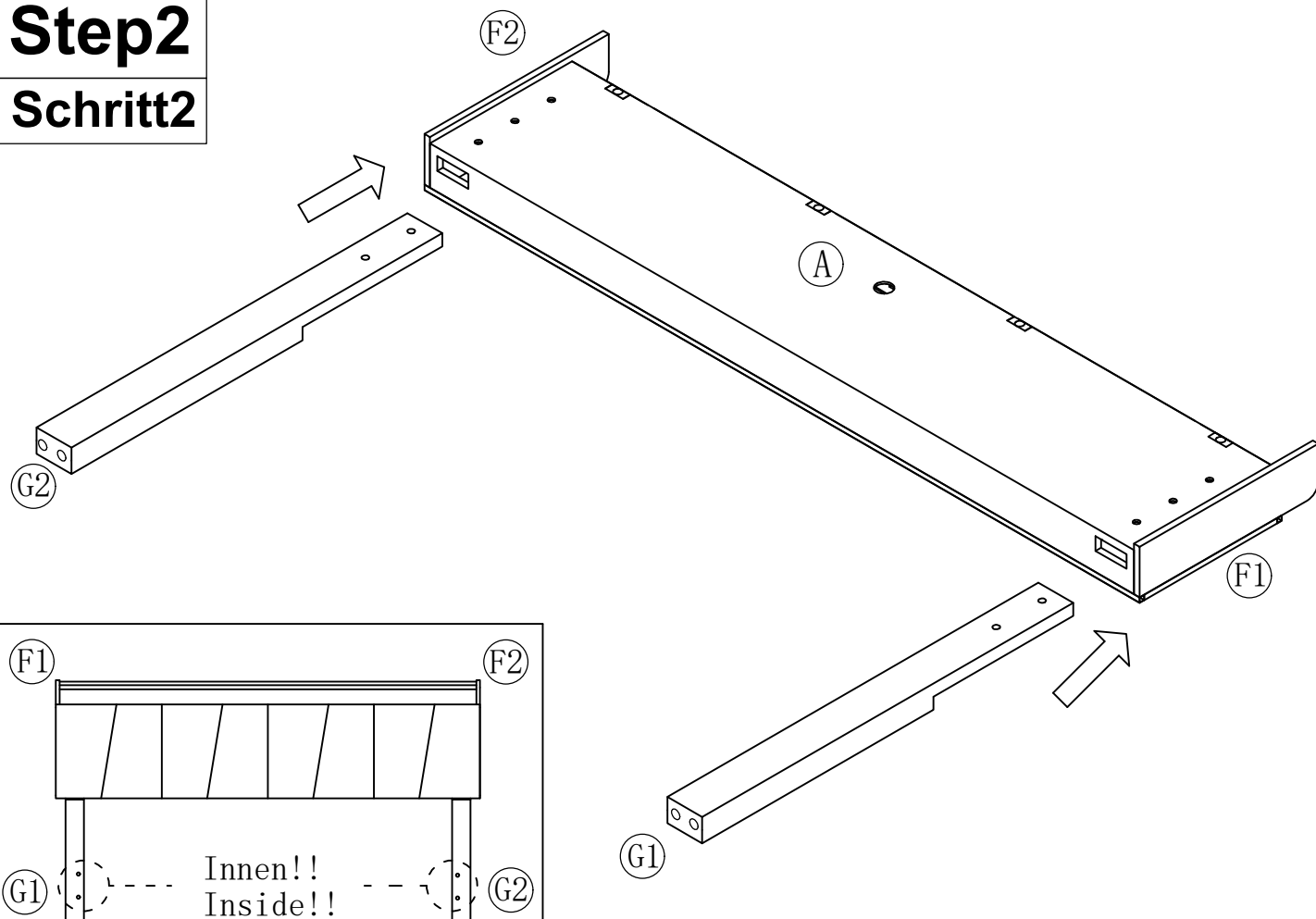


4PCS



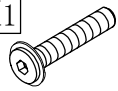

# Step2

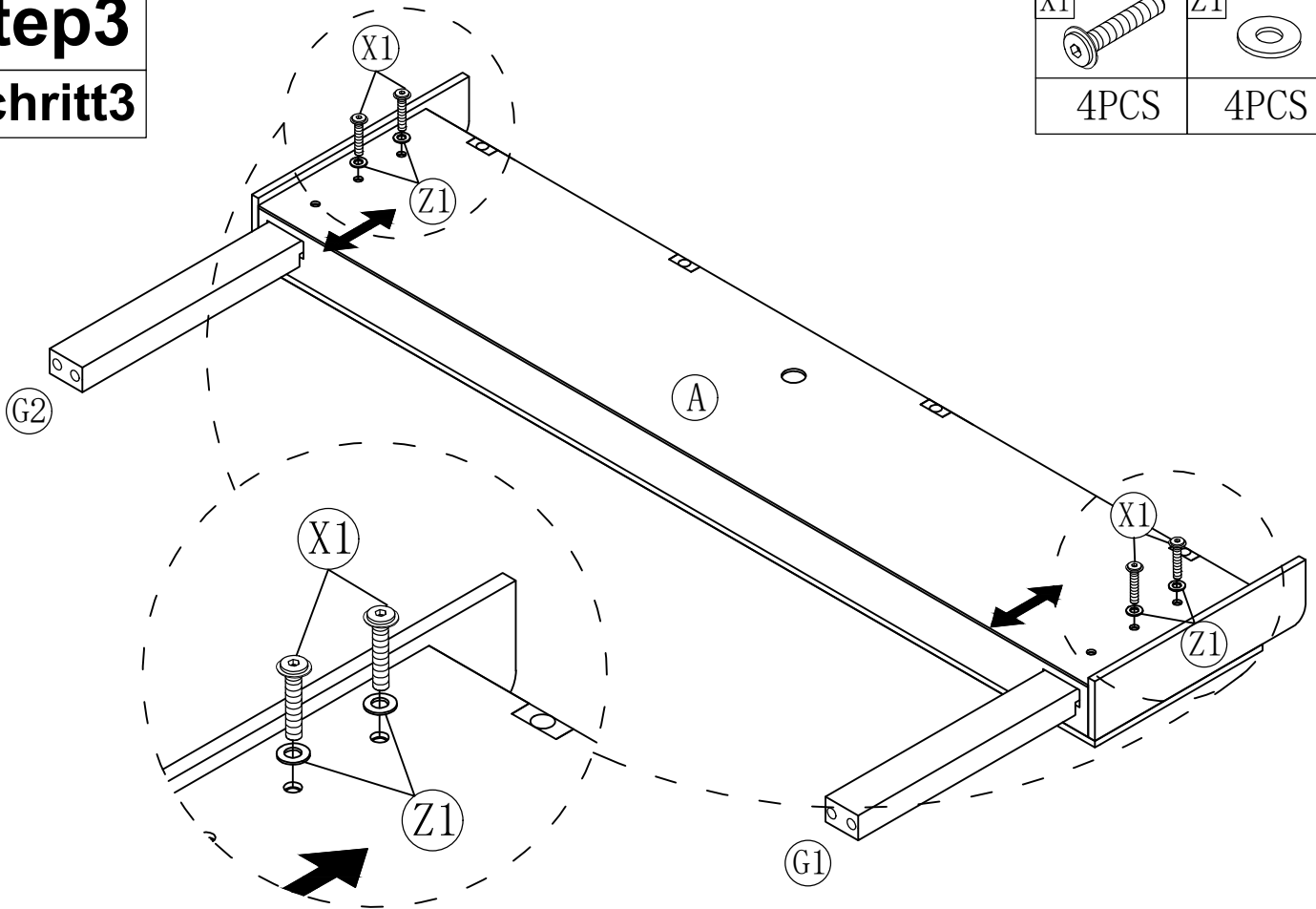
## Schritt2



# Step3

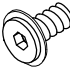
## Schritt3

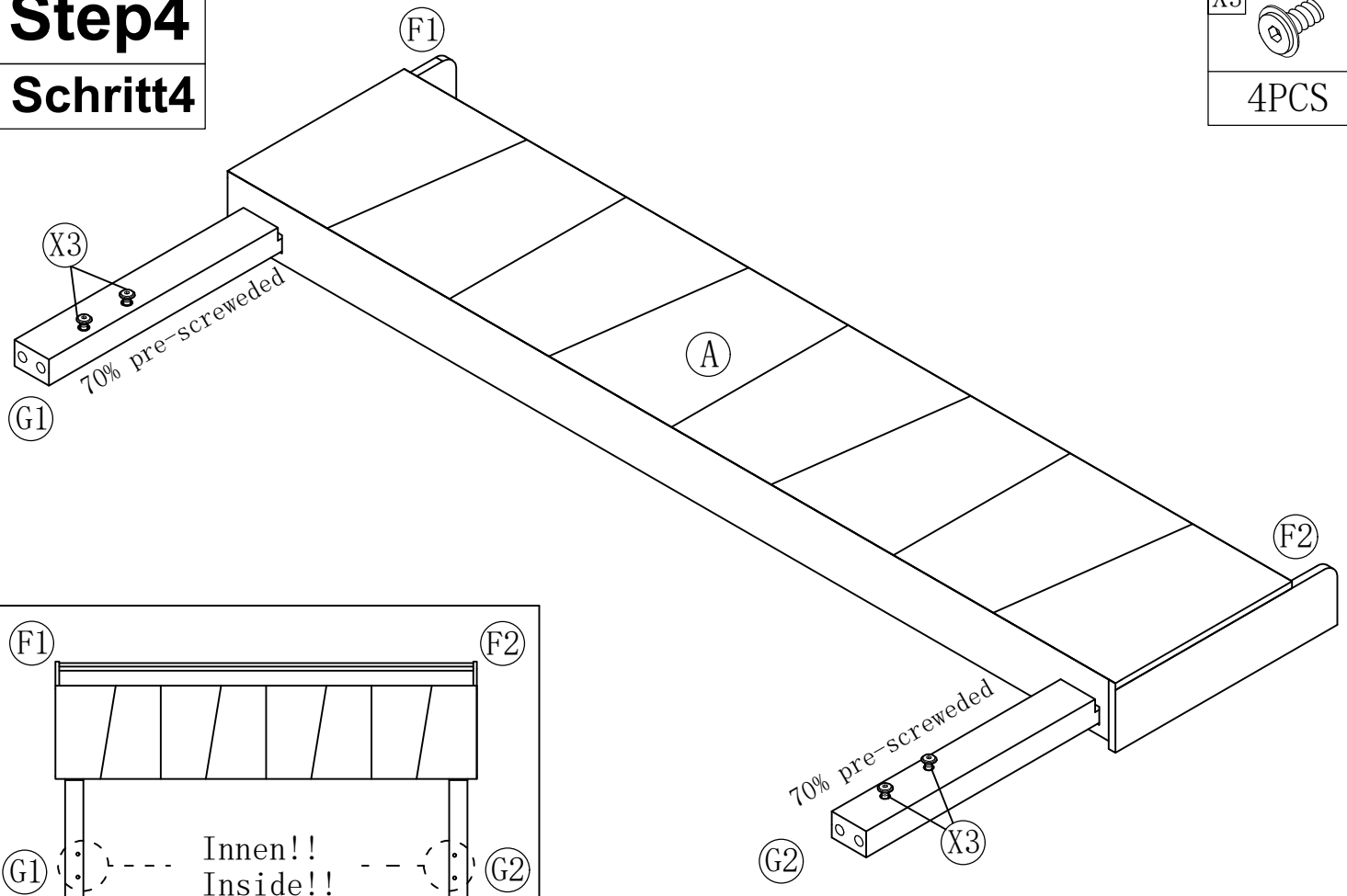
X1		Z1	
4PCS		4PCS	



# Step4

## Schritt4

X3	
4PCS	



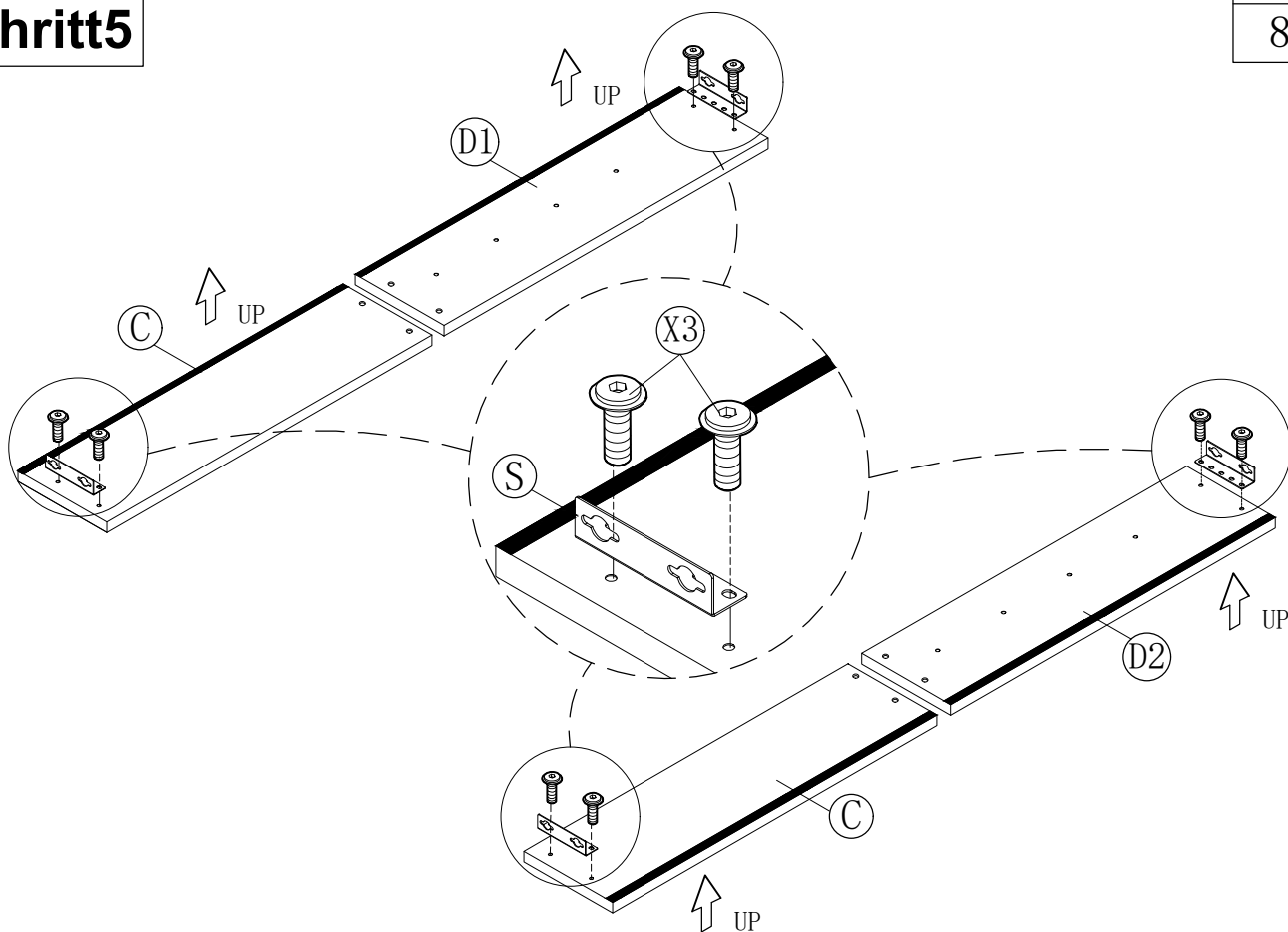
# Step5

## Schritt5

X3



8PCS



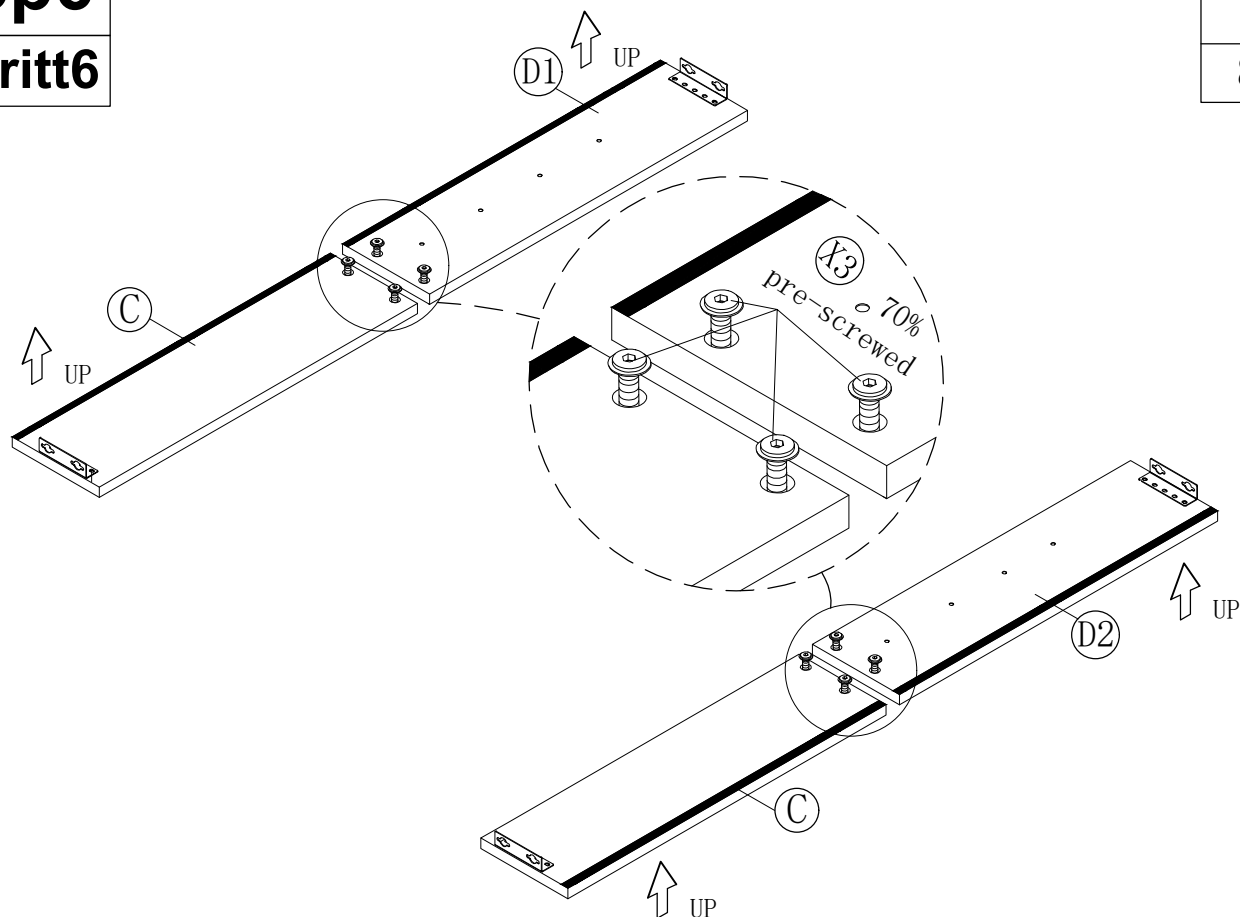
# Step6

## Schritt6

X3

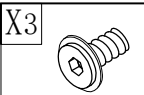


8PCS

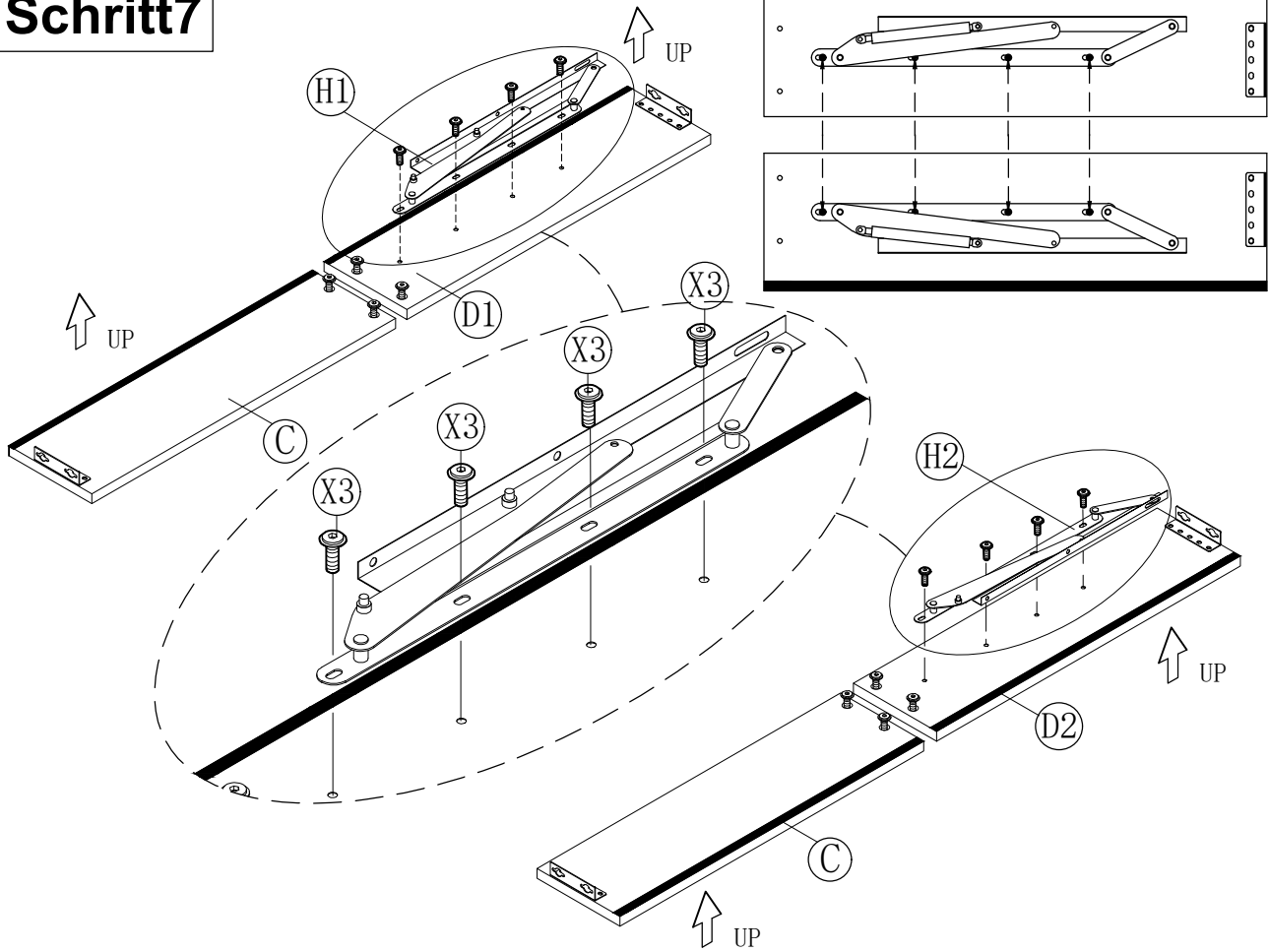


# Step7

## Schritt7

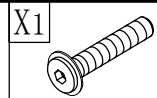


8PCS

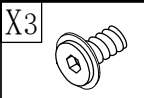


# Step8

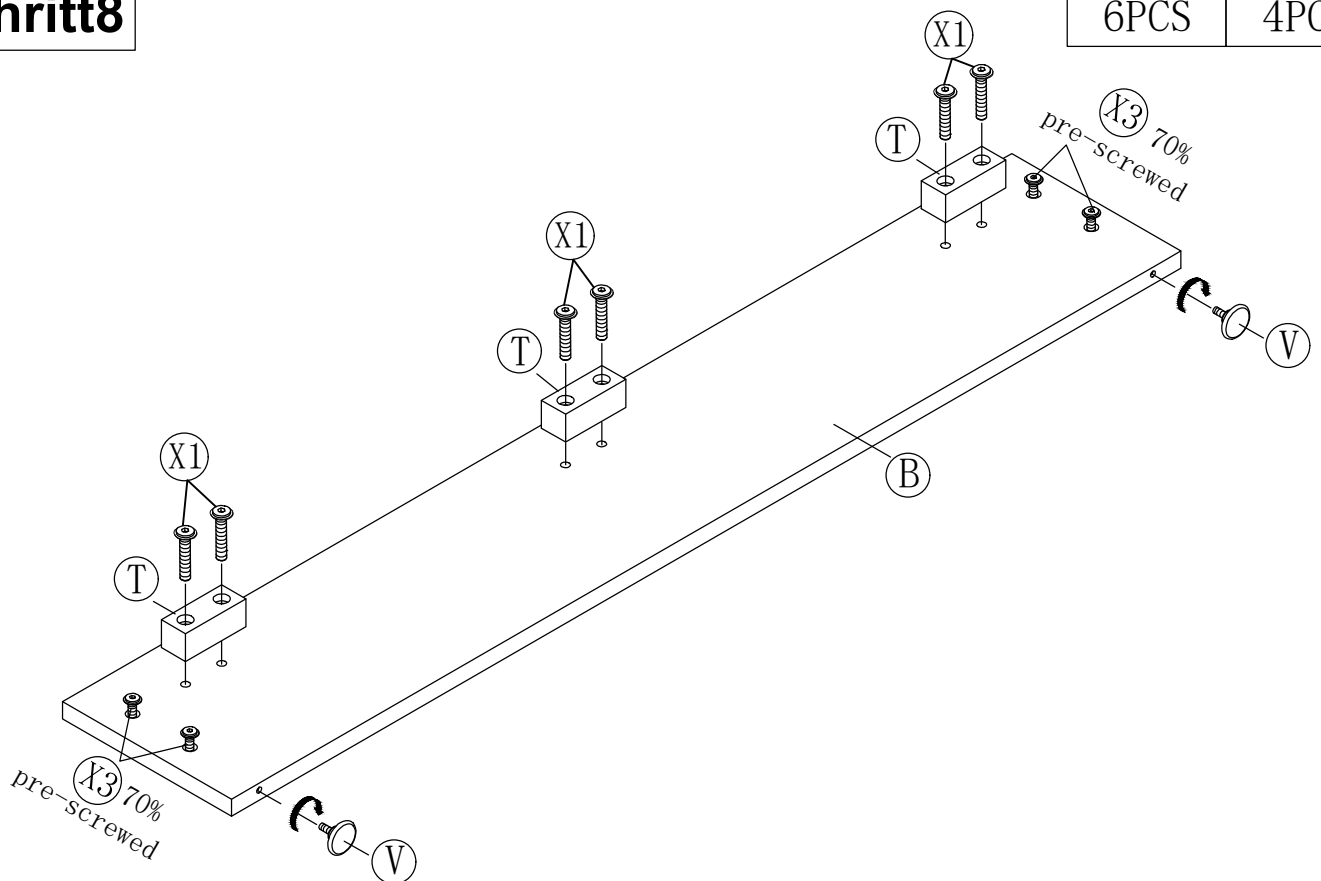
## Schritt8



6PCS

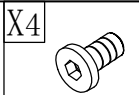


4PCS

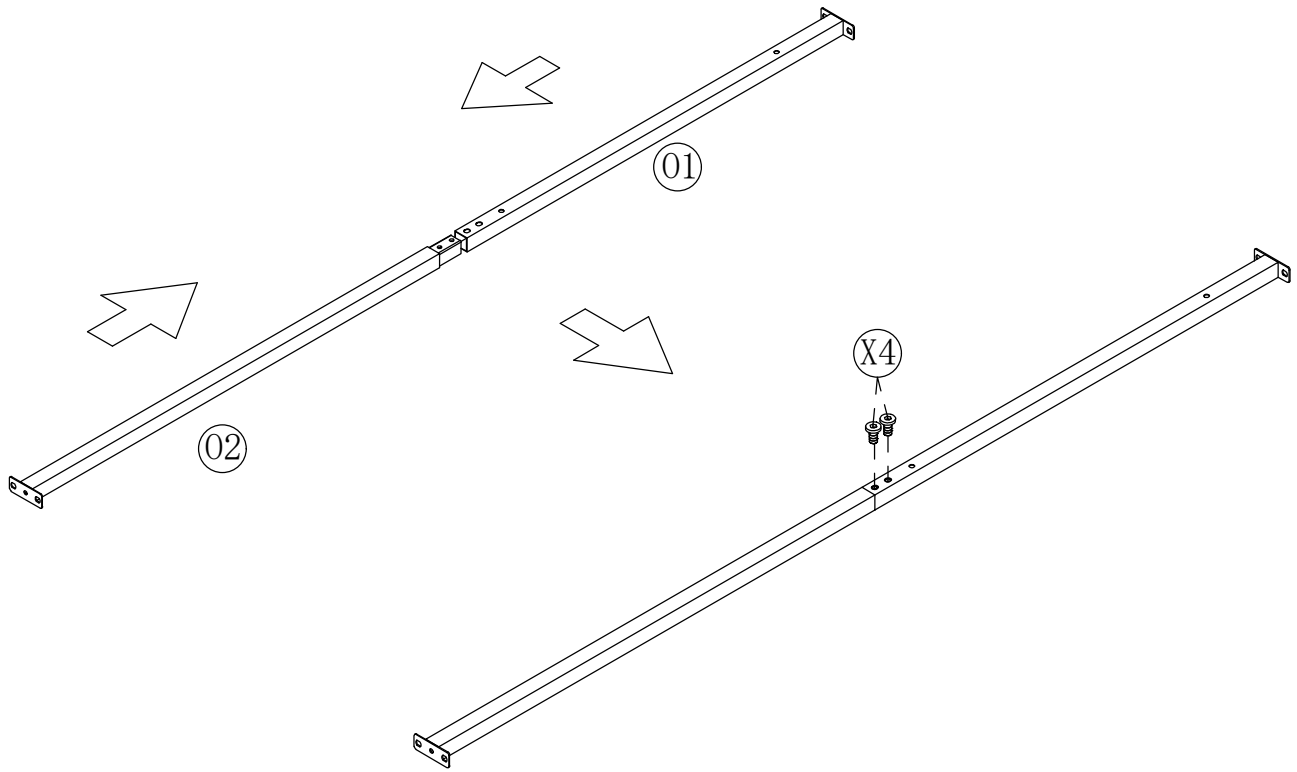


# Step9

## Schritt9

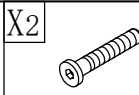


2PCS

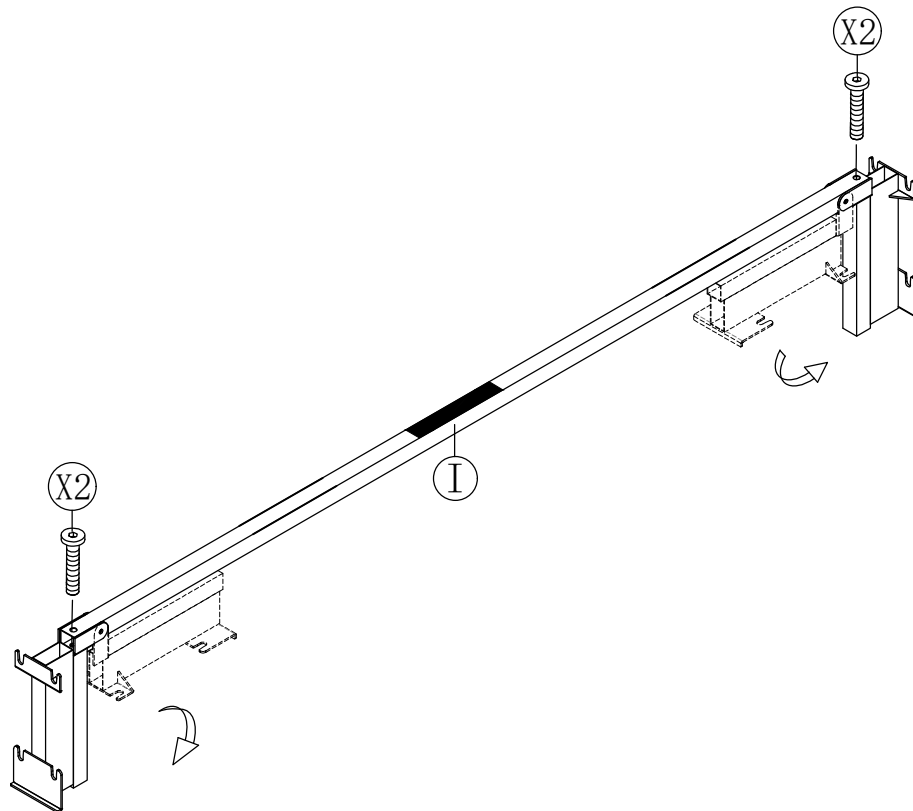


# Step10

## Schritt10



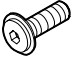
2PCS



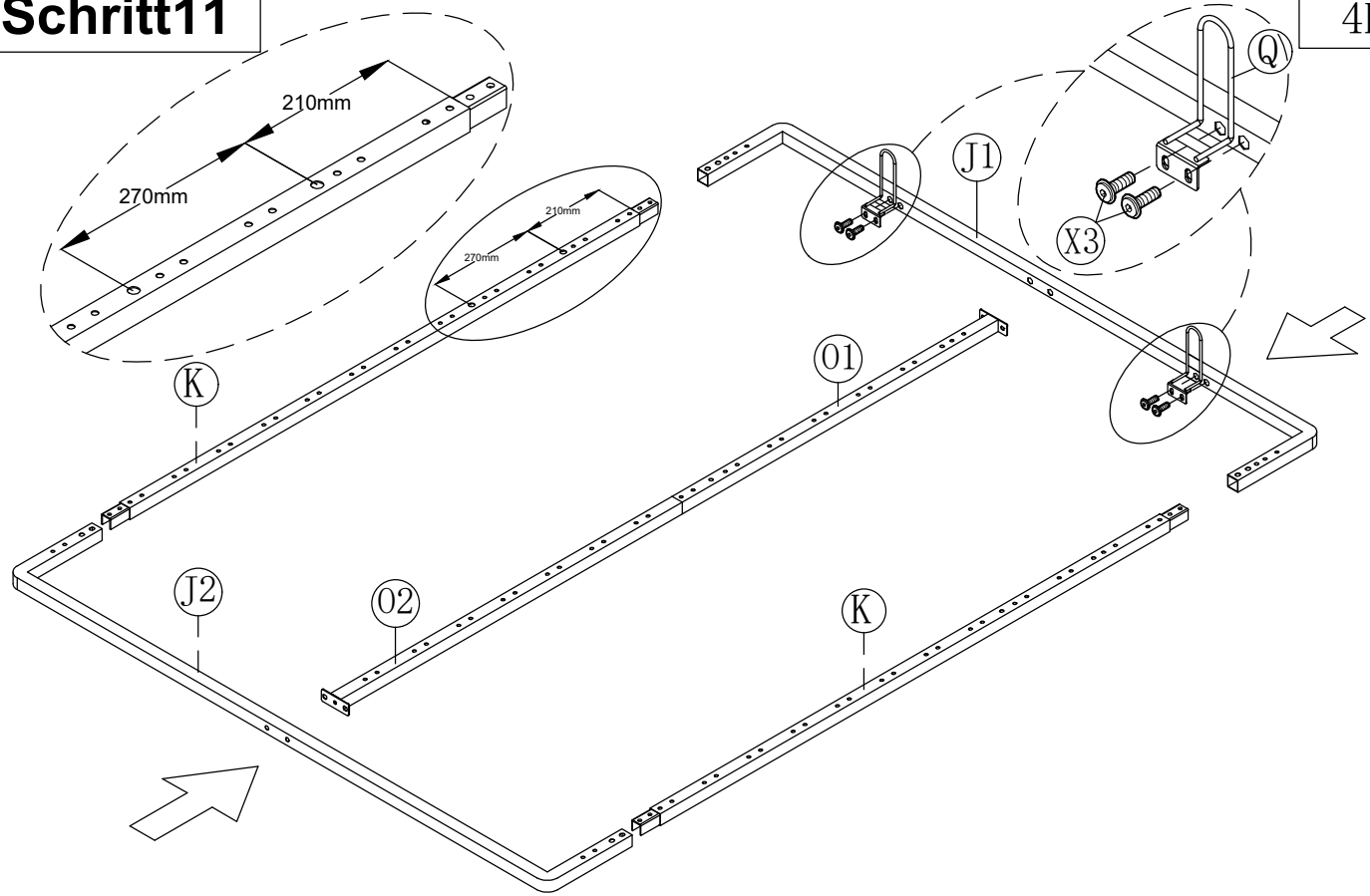


# Step11

## Schritt11


X3 

4PCS

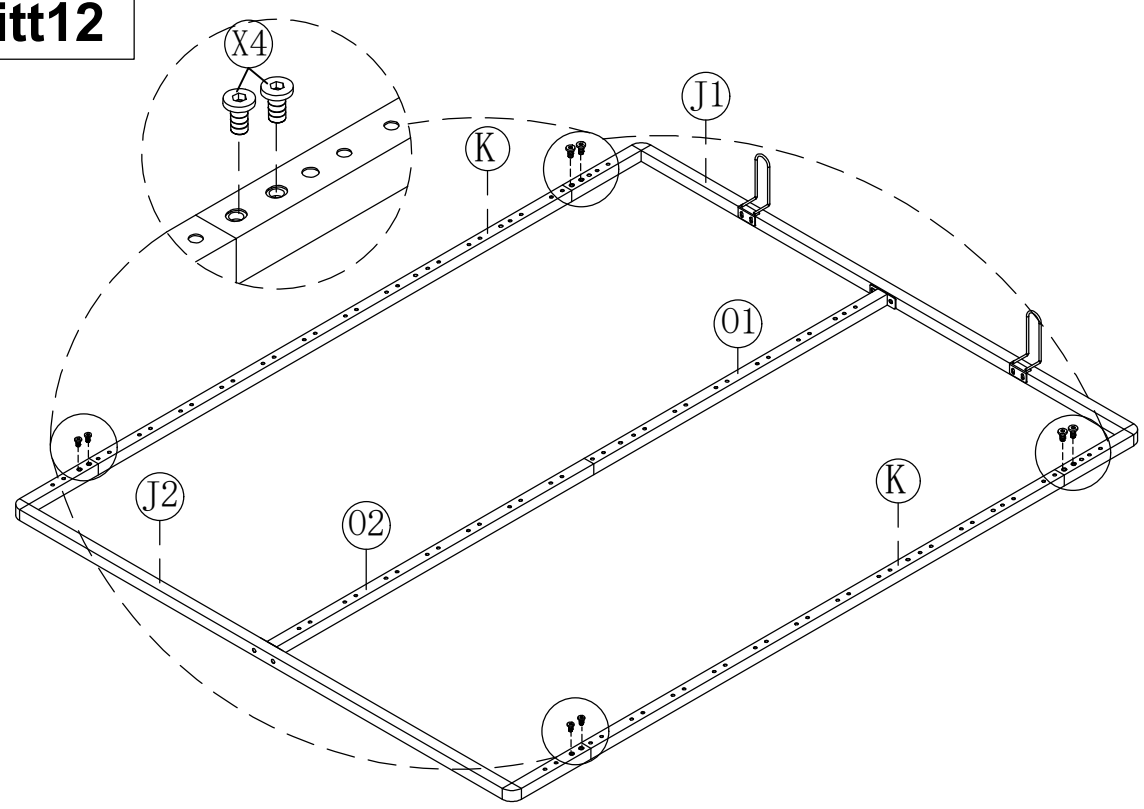


# Step12

## Schritt12

X4 

8PCS



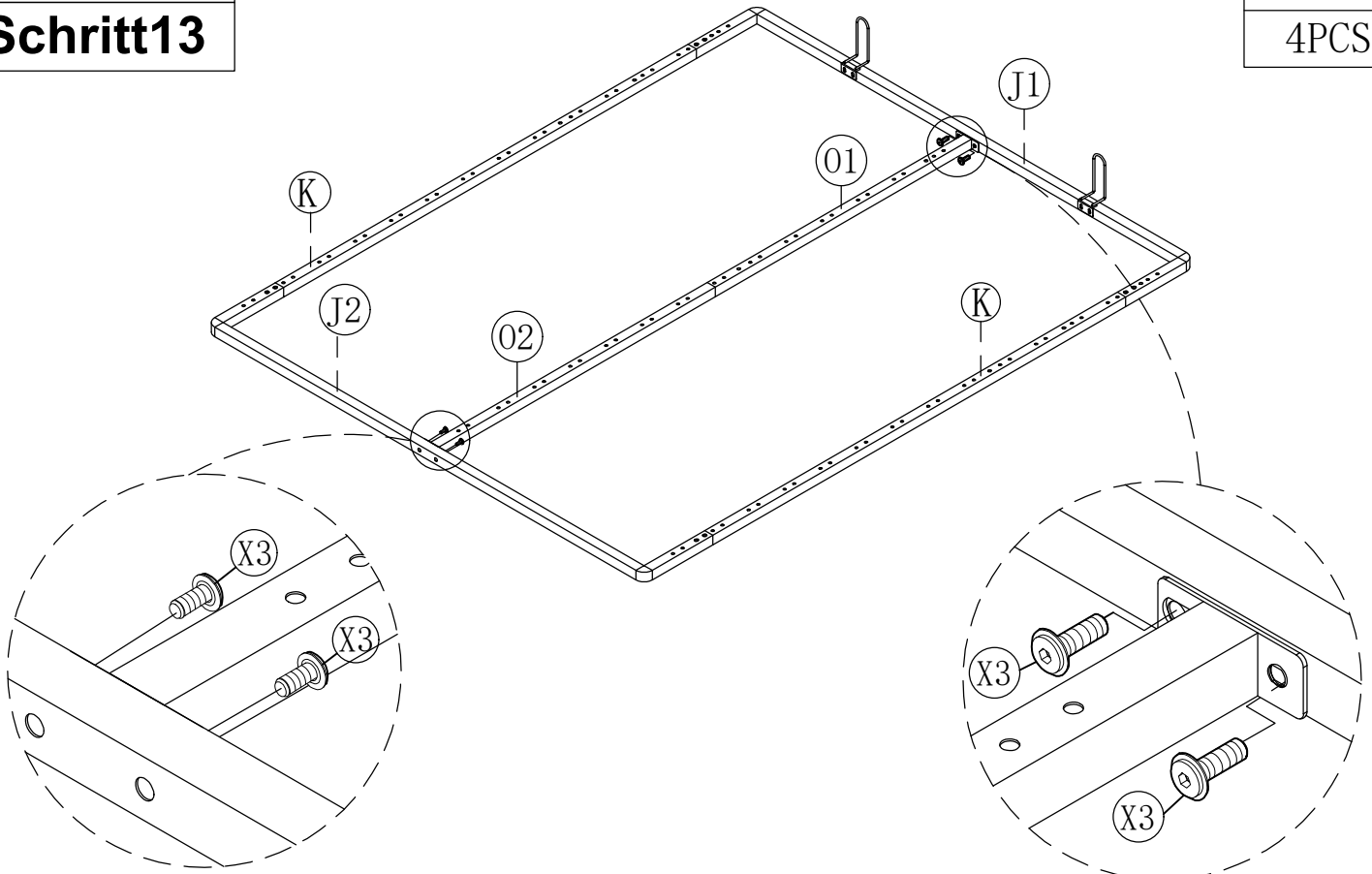
# Step13

## Schritt13

X3

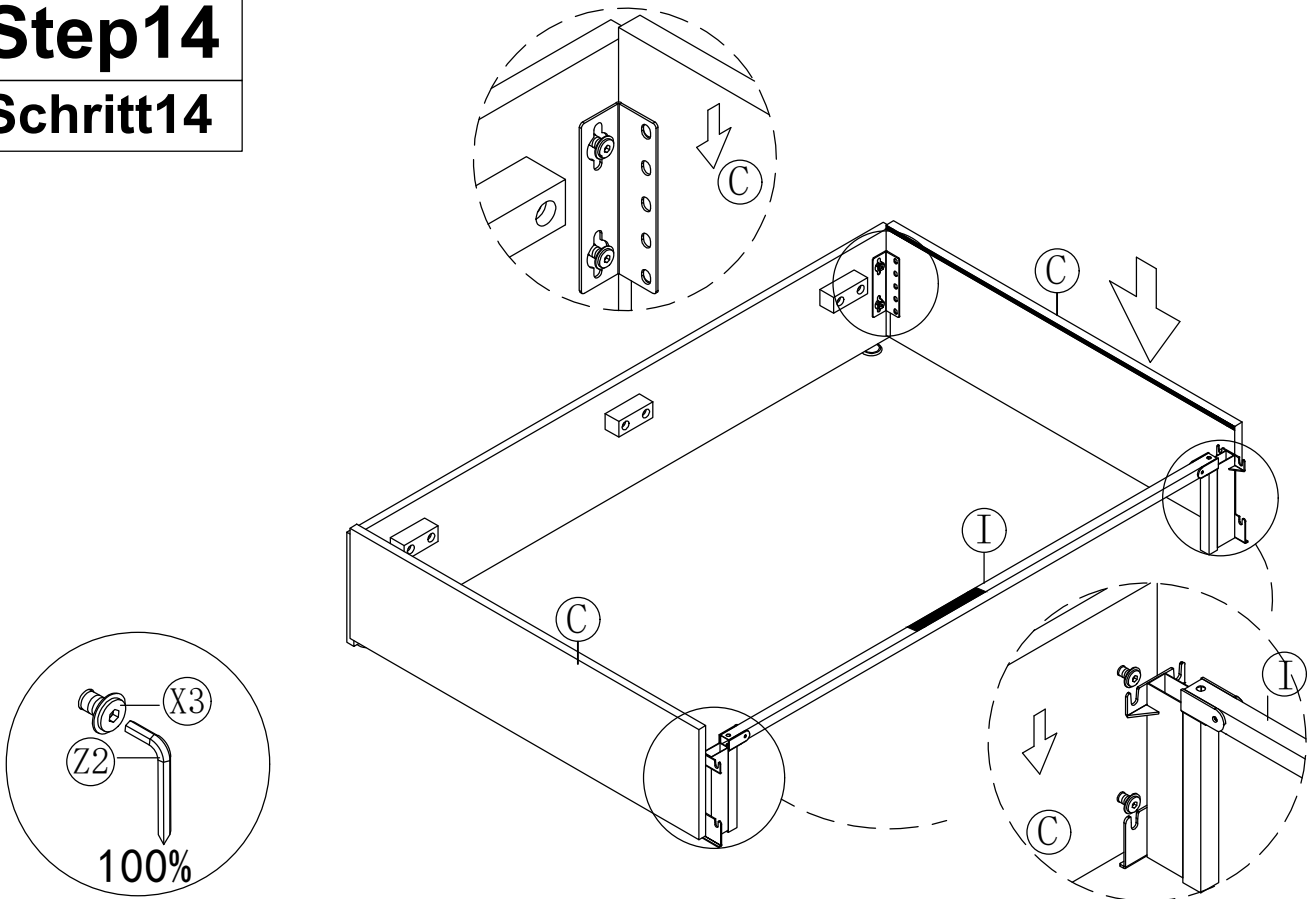


4PCS



# Step14

## Schritt14



100%

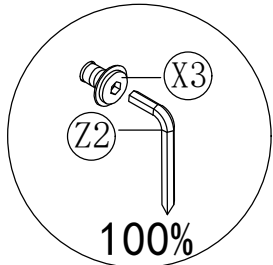
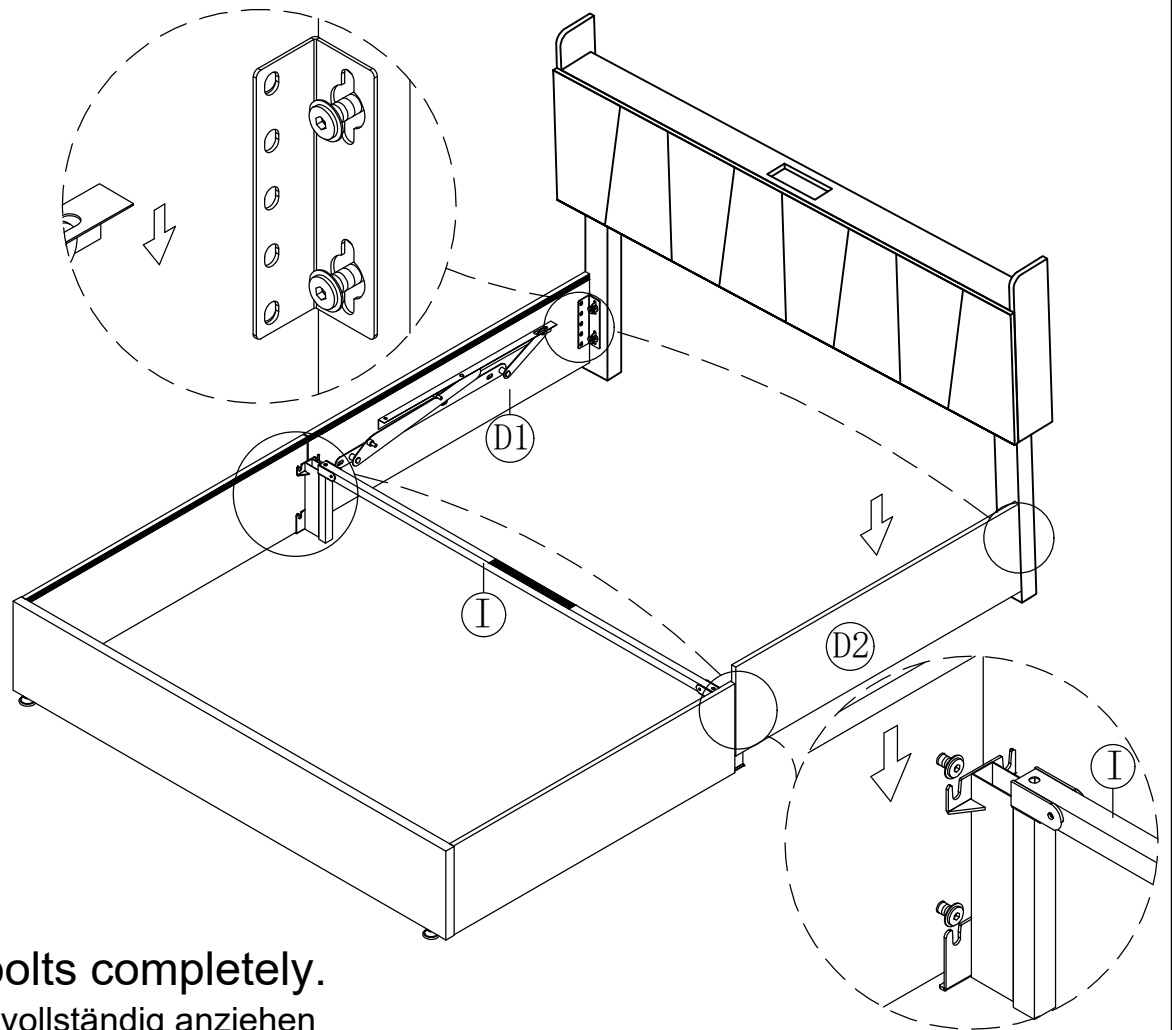
※Tighten all bolts completely.

Alle Schrauben vollständig anziehen

10 OF 16

# Step15

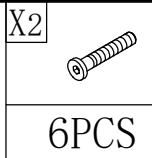
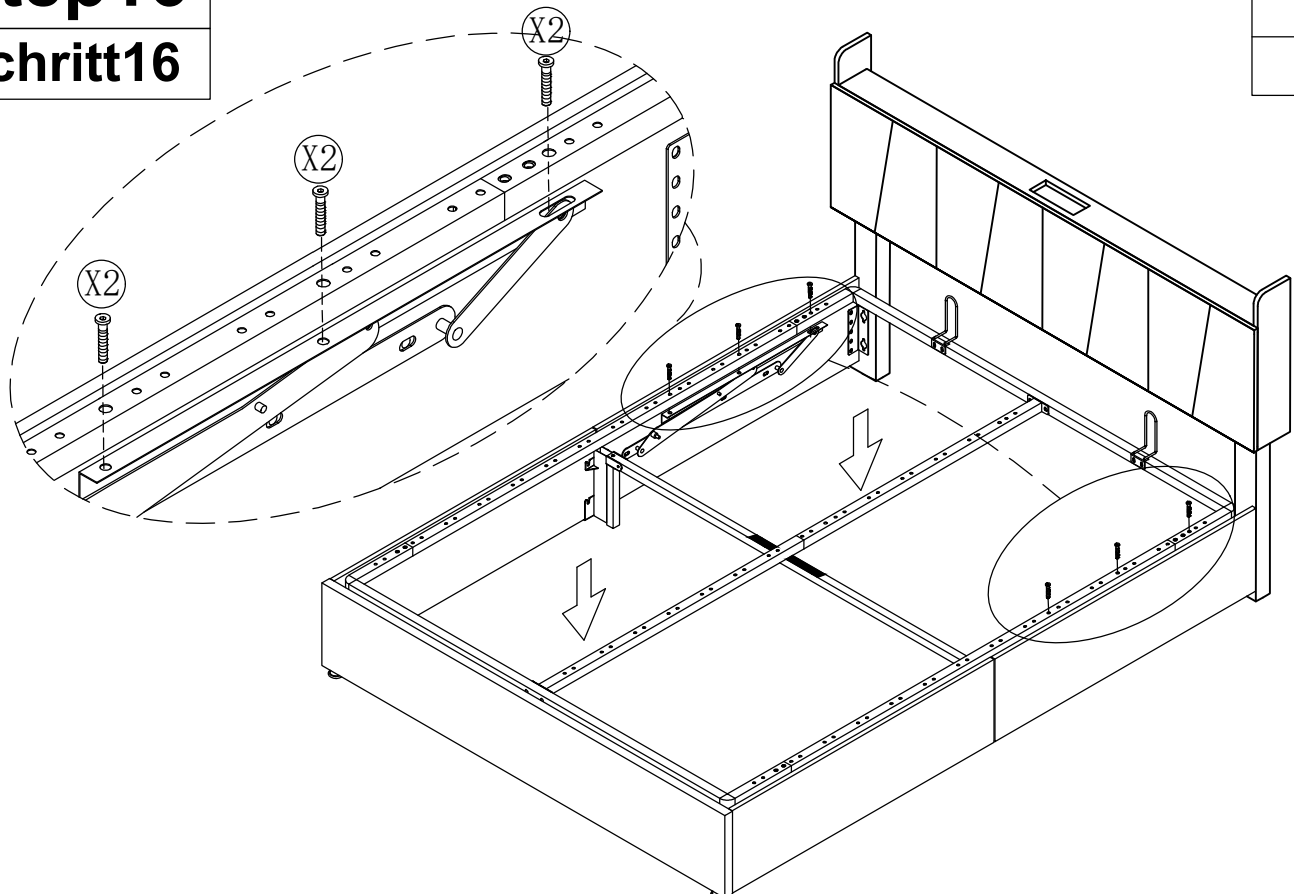
## Schritt15



※Tighten all bolts completely.  
Alle Schrauben vollständig anziehen

# Step16

## Schritt16



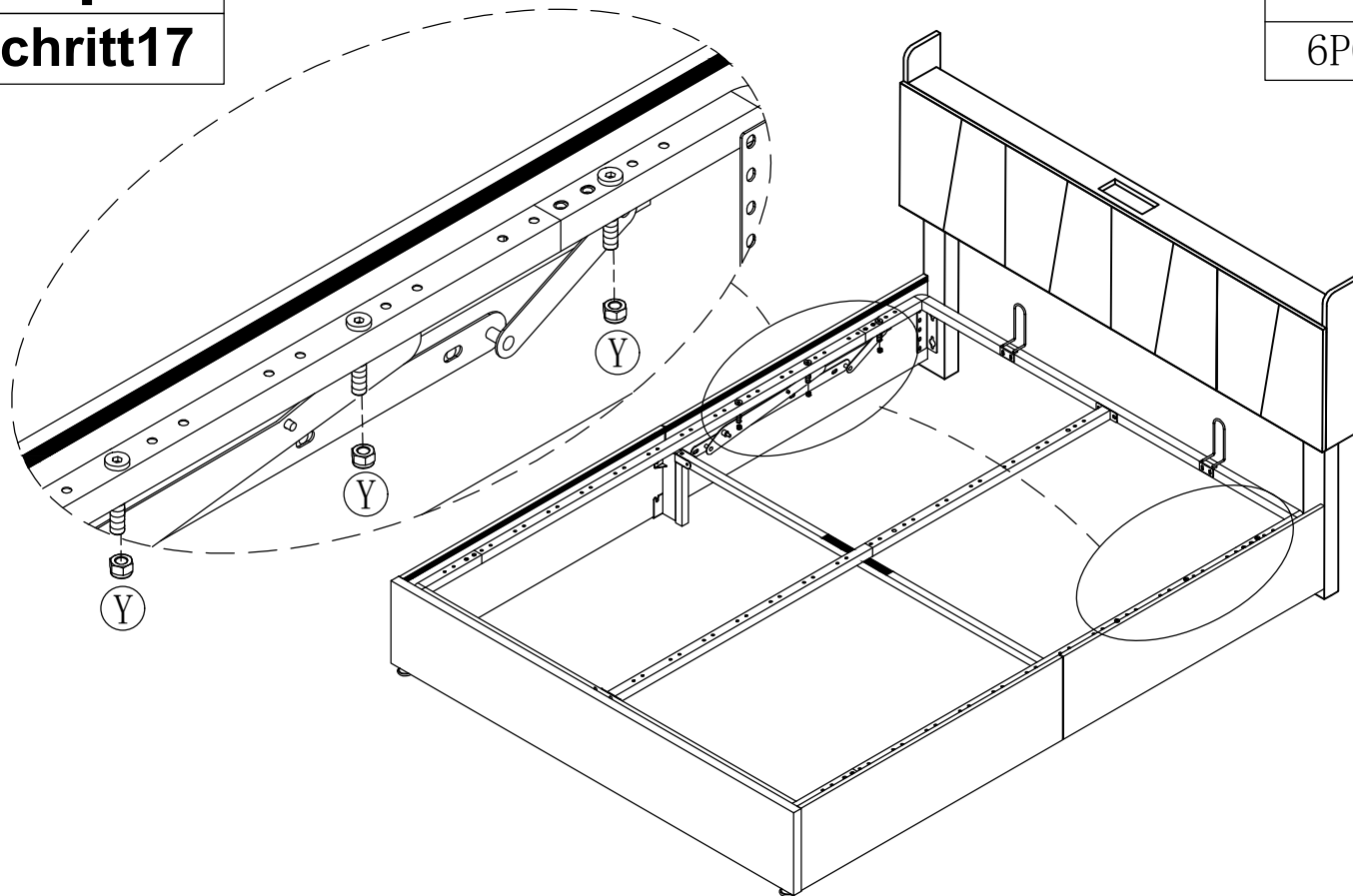
# Step17

## Schritt17

Y



6PCS



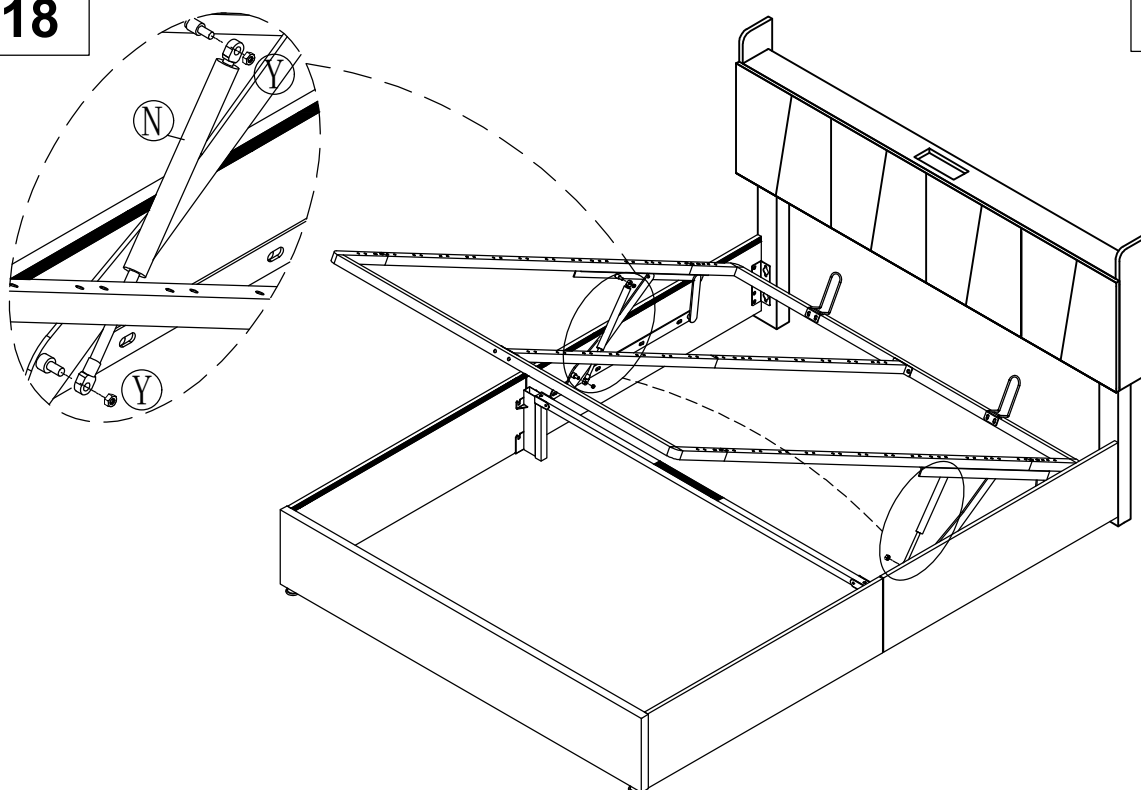
# Step18

## Schritt18

Y

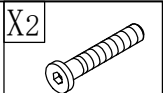


4PCS

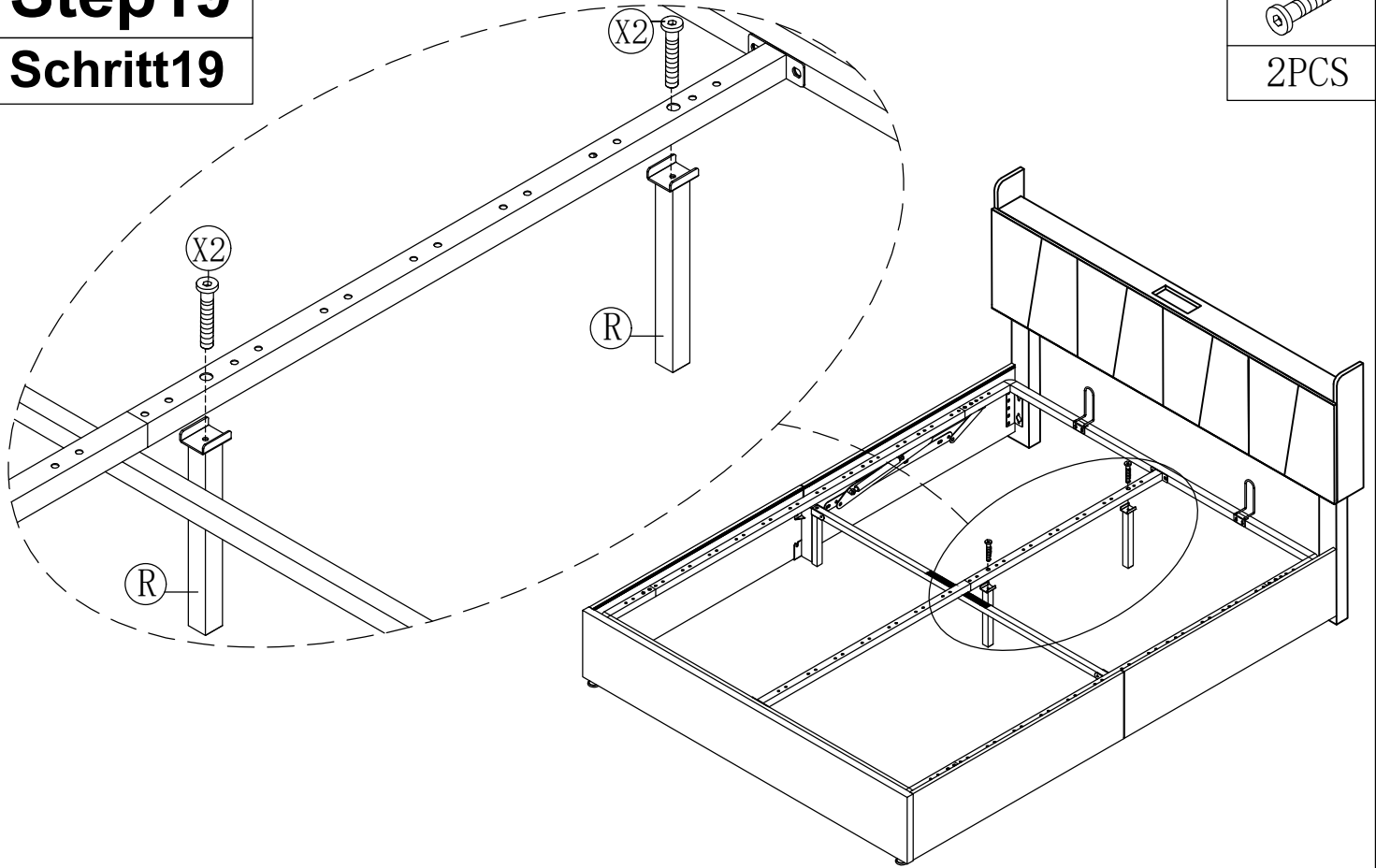


# Step19

## Schritt19



2PCS

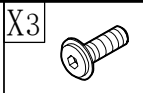


# Step20

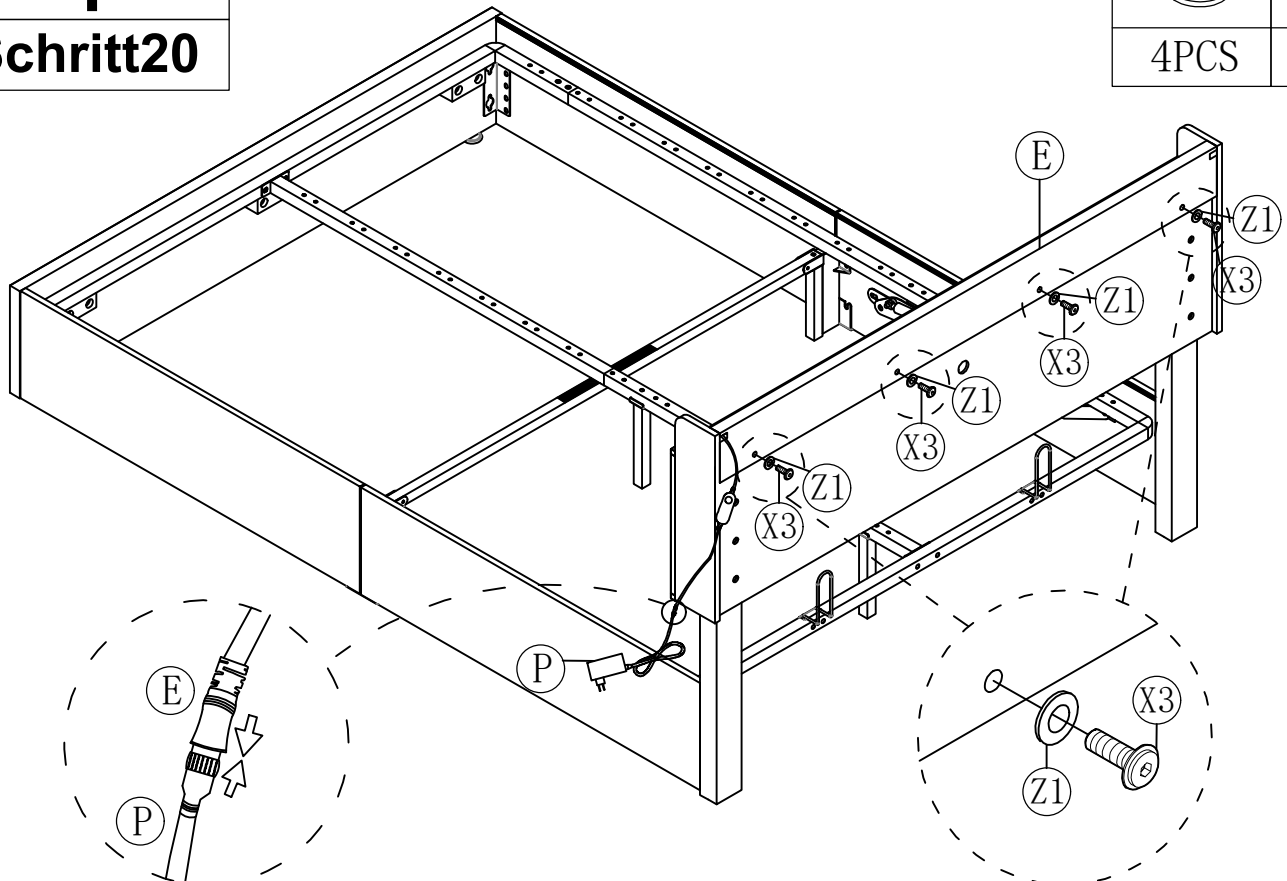
## Schritt20



4PCS



4PCS



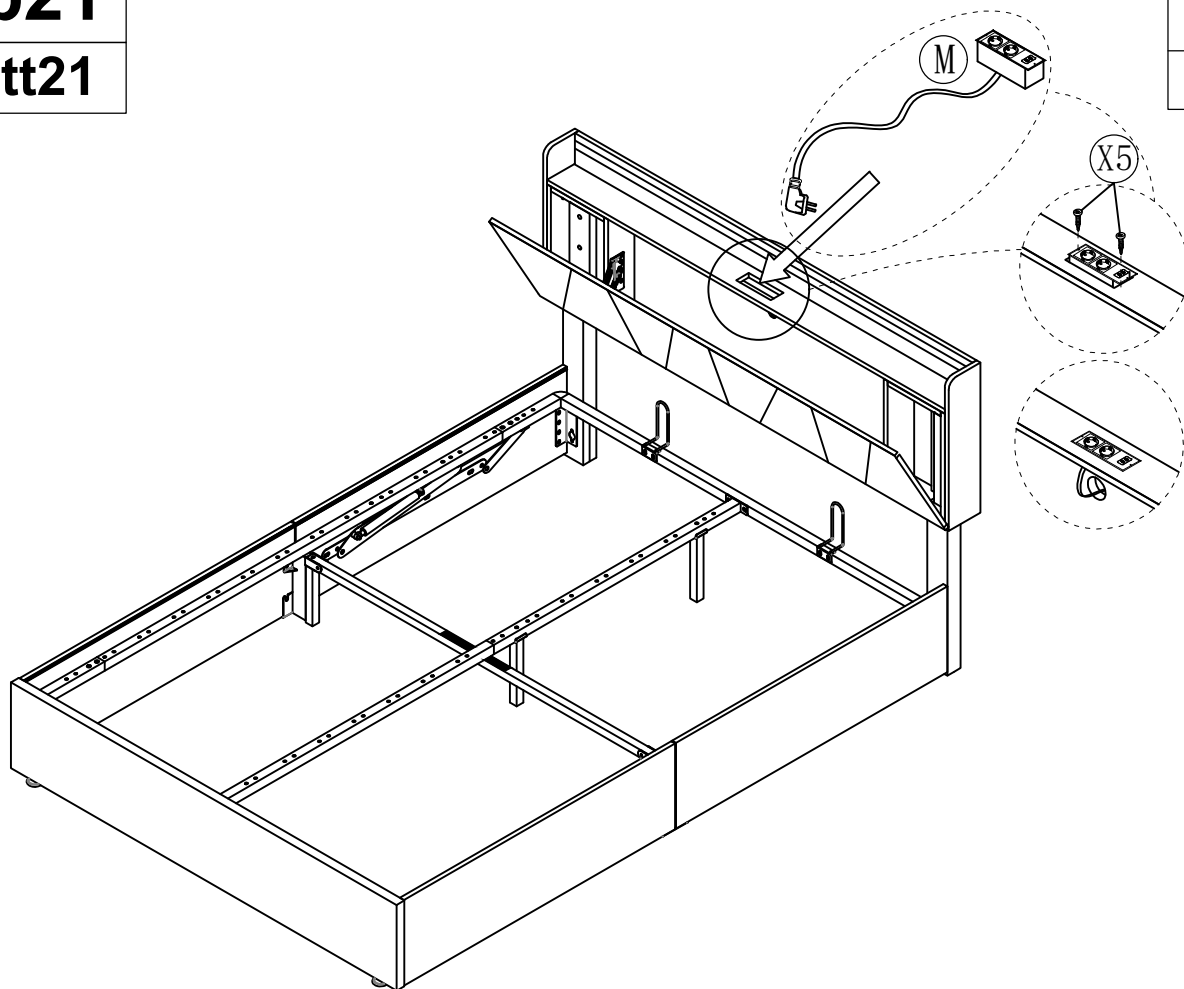
# Step21

## Schritt21

X5

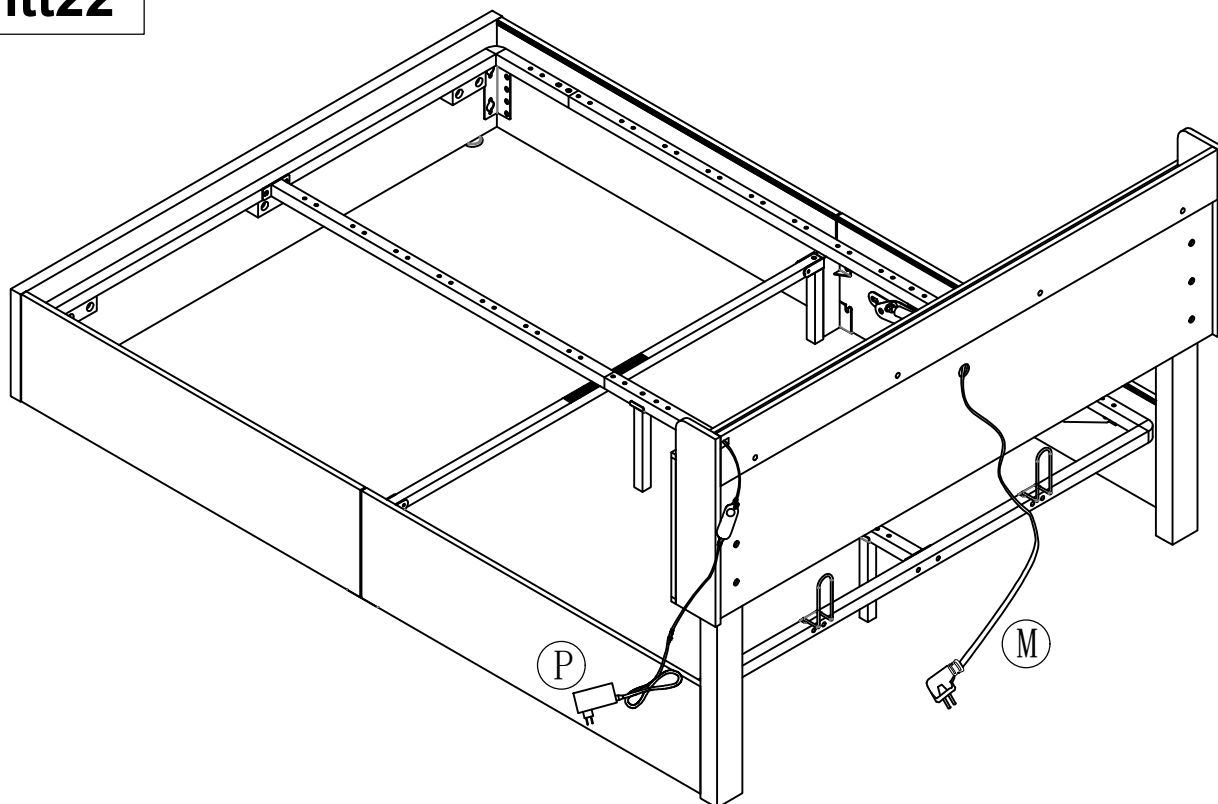


2PCS



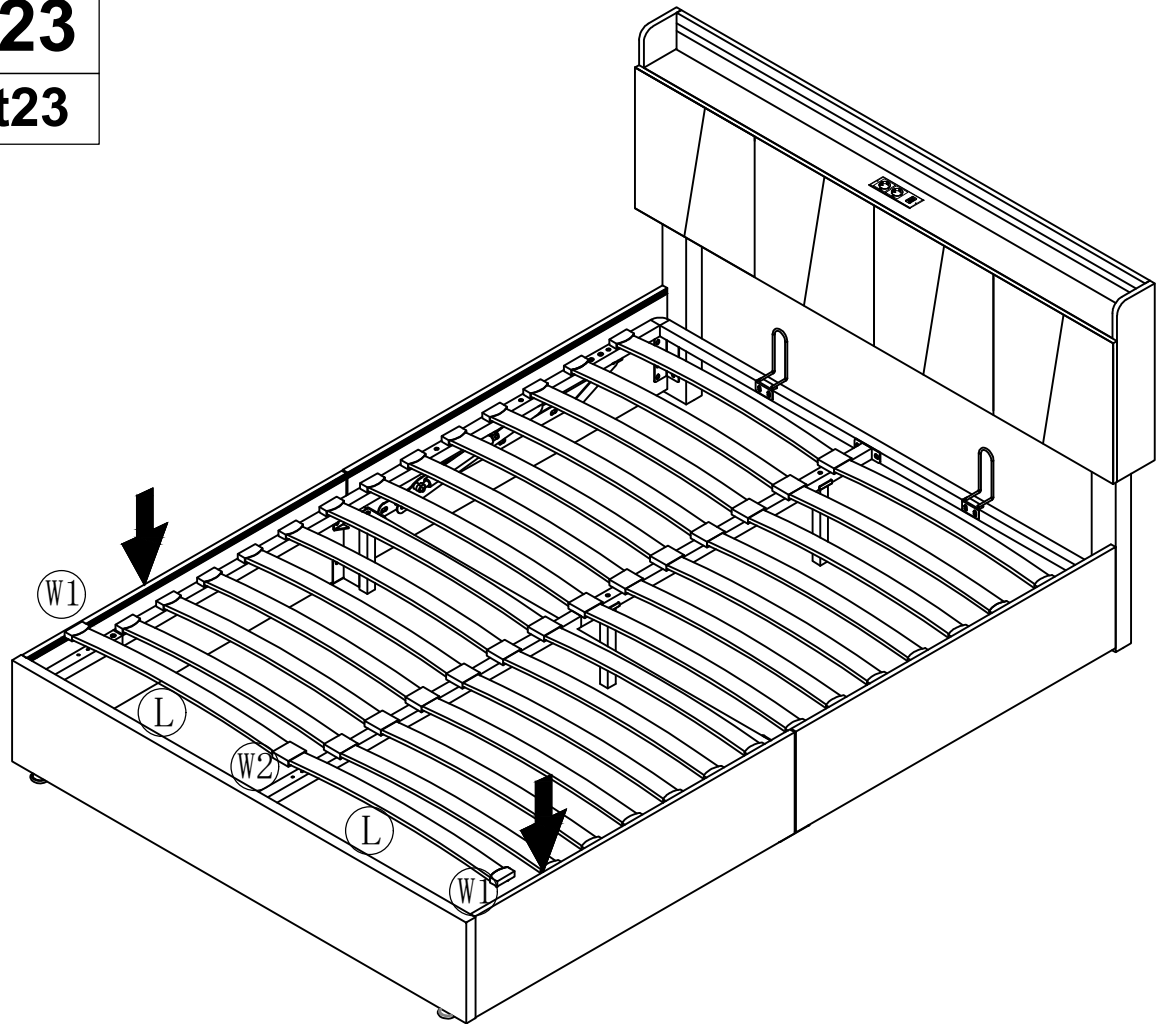
# Step22

## Schritt22



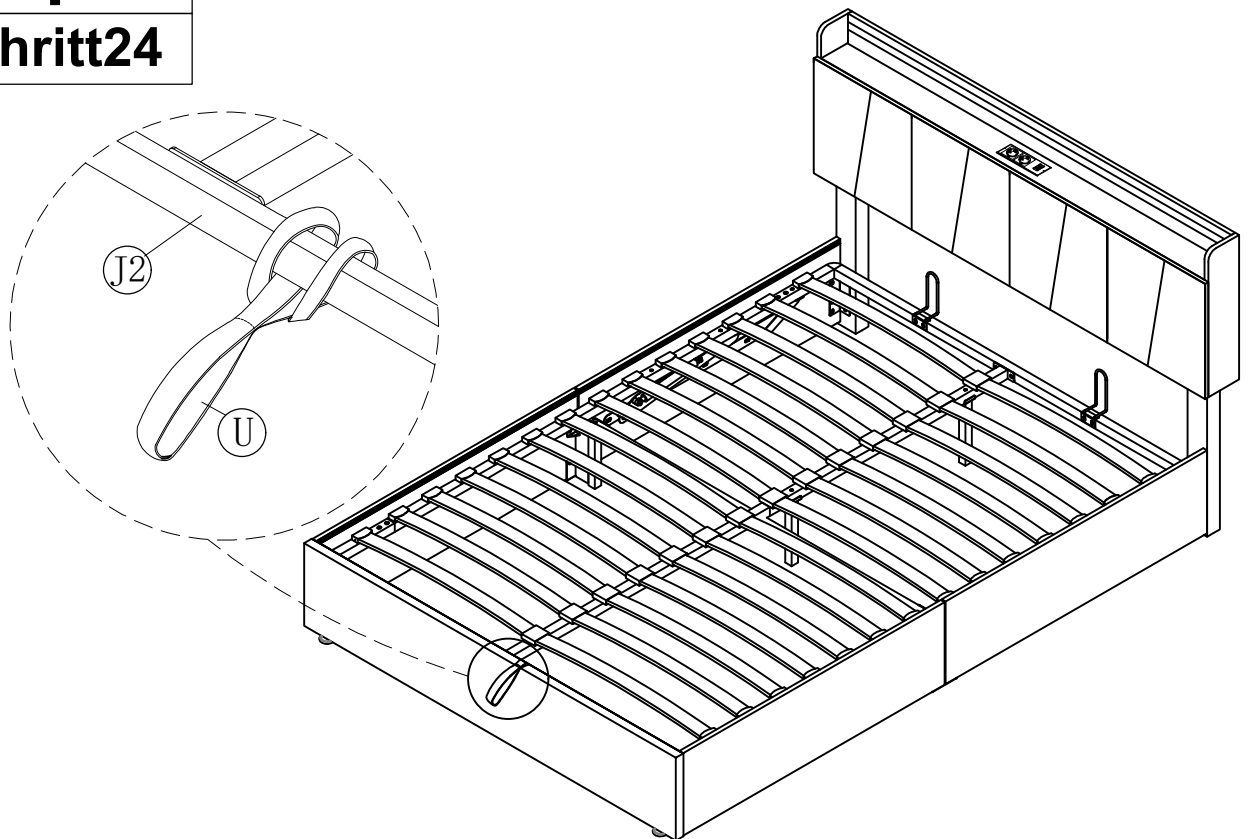
# Step23

## Schritt23



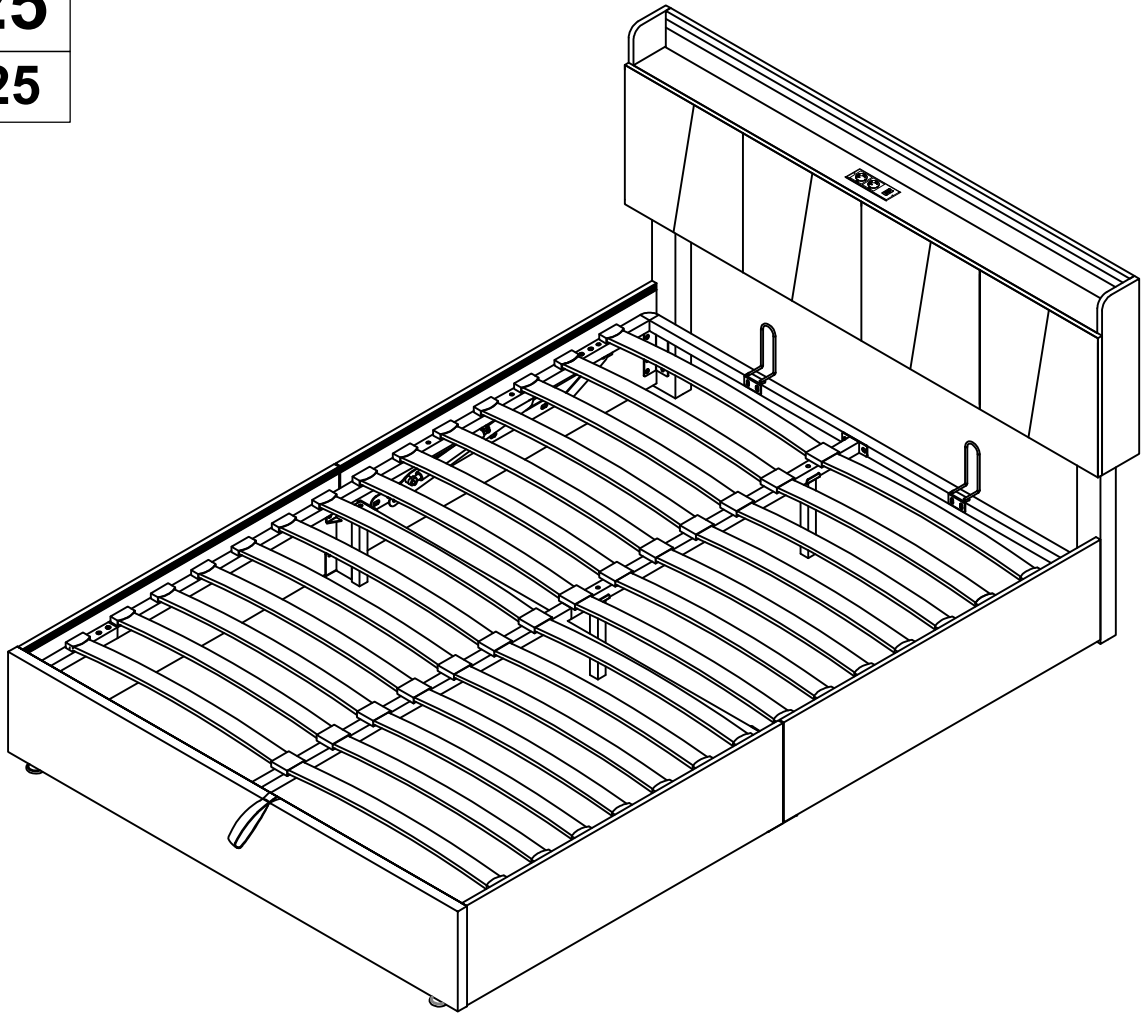
# Step24

## Schritt24



# Step25

## Schritt25



### IMPORTANT NOTICE OTTOMAN OPERATING INSTRUCTIONS

Once your bed frame is completely assembled, the slat unit will not operate correctly unless a mattress is placed on the slat frame. Position the mattress on the slat frame whilst it is in the closed position.

PLEASE NOTE - It takes a lot of force to make the initial movement of the ottoman. This is a design feature of the product so that it does not fall shut - the nearer to being closed the ottoman is, the easier it is to move. When the ottoman is almost shut, it will close completely under its own weight.

When lowering the slat unit for the first time, take care to make sure it does not rub unevenly on the inside face of the side rails. If it does, the bed has been assembled slightly out of square. This can be rectified by moving the foot end of the bed slightly to the left or right whilst leaving the head end stationary.

#### PISTONS

The pistons used in the construction of this product are extremely strong and cannot be operated by hand when taken off the ottoman. All pistons are tested for correct pressure and operation before being attached to the slat unit.

Initially it might appear that the pistons are very stiff when opening and closing the ottoman.

#### THIS IS PERFECTLY NORMAL

When fully assembled and the mattress is in position, please raise and lower the ottoman 4/5 times to ensure the gas piston are fully lubricated.

