



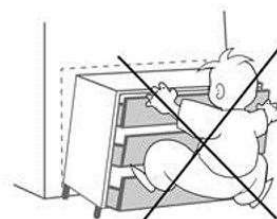
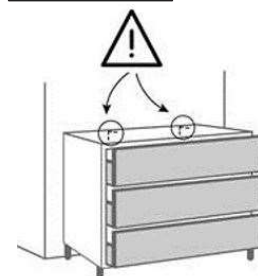
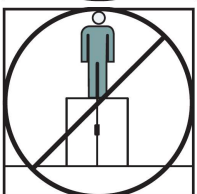
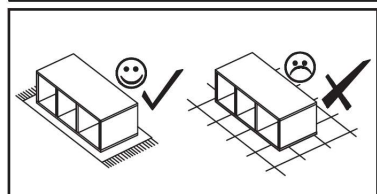
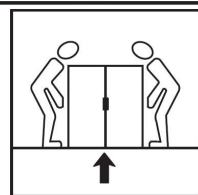
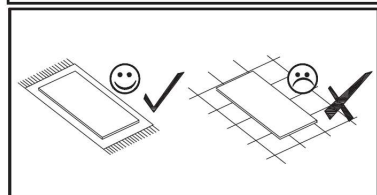
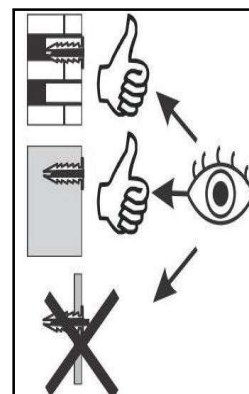
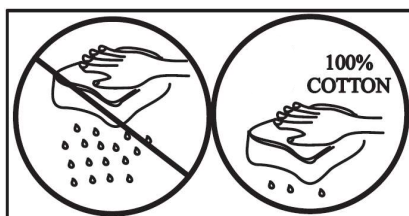
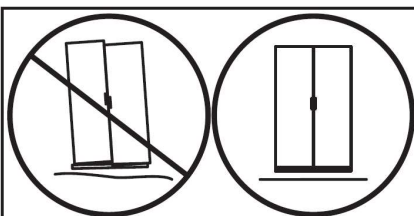
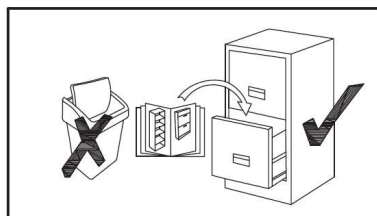
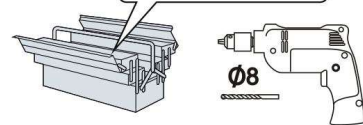
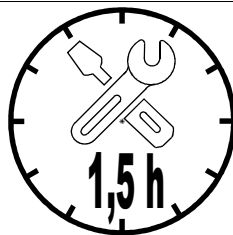
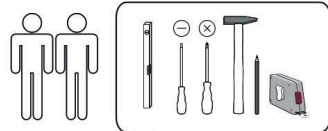
GOMERA KOMMODE 5

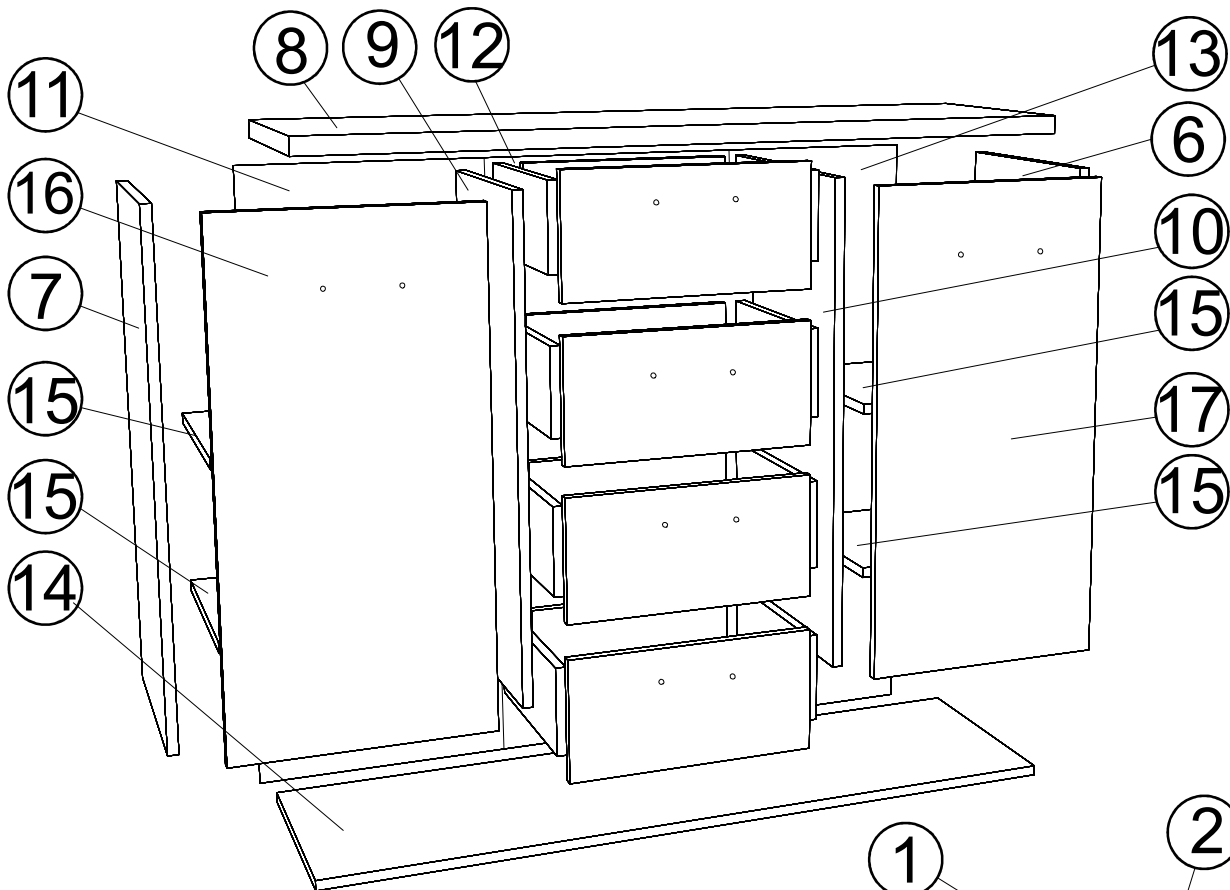
43-205-.-3

1/16



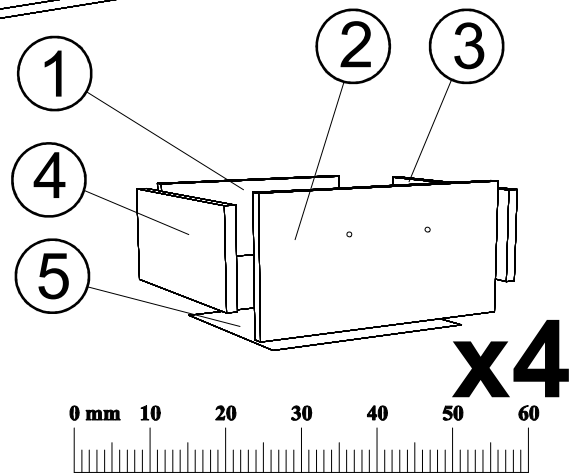
wyprodukowano dla / made for / produziert für
BEGA GRUPPE
producent: **MEBLE OKMED POLAND**





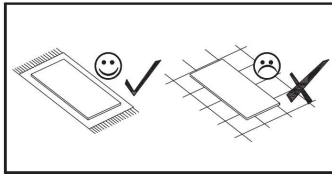
1/2	①	16x324x127	4
	③	16x310x140	4
	④	16x310x140	4
	⑤	3x338x315	4
	⑥	16x780x361	1
	⑦	16x780x361	1
	⑧	28x1160x380	1
	⑪	3x796x382	1
	⑫	3x796x380	1
	⑬	3x796x382	1
	⑭	16x1160x361	1

2/2	②	16x376x195	4
	⑨	16x780x343	1
	⑩	16x780x343	1
	⑮	16x365x333	4
	⑯	16x386x790	1
	⑰	16x386x790	1

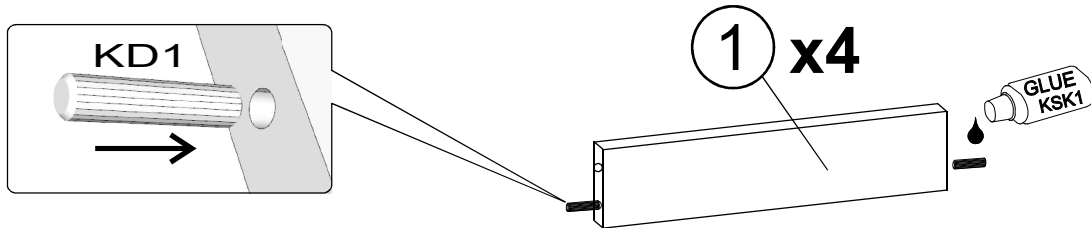


ZM1B x16	ZM1A x16	ZM1 x16	KS1 x2	W11 x20	KRW1 x2
KD1 x40	PP x16	SS2 x6	W7 x12	U51 x6	WU x12
Z1P x4	Z1 x4	W4 x8	K1 x16	S1 x14	KK1 x1
W1 x24	PL1 x12	KSK1 x1	PQ1/PQ2 x4		

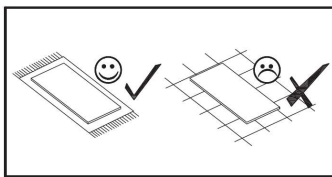
01



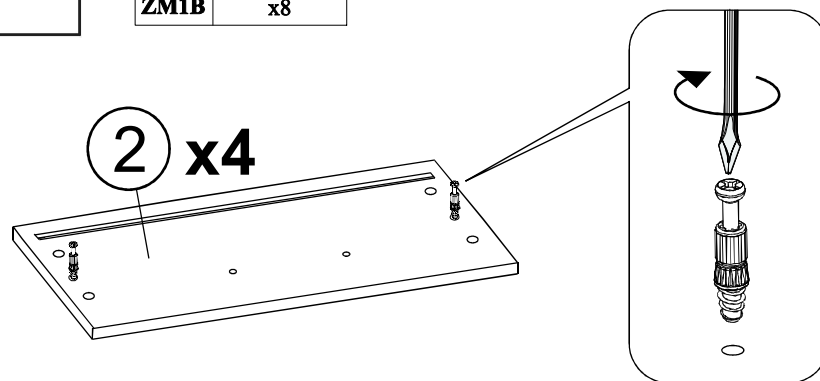
	8x35		
KD1	x8	KSK1	x1



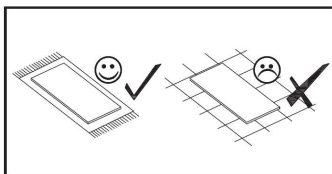
02



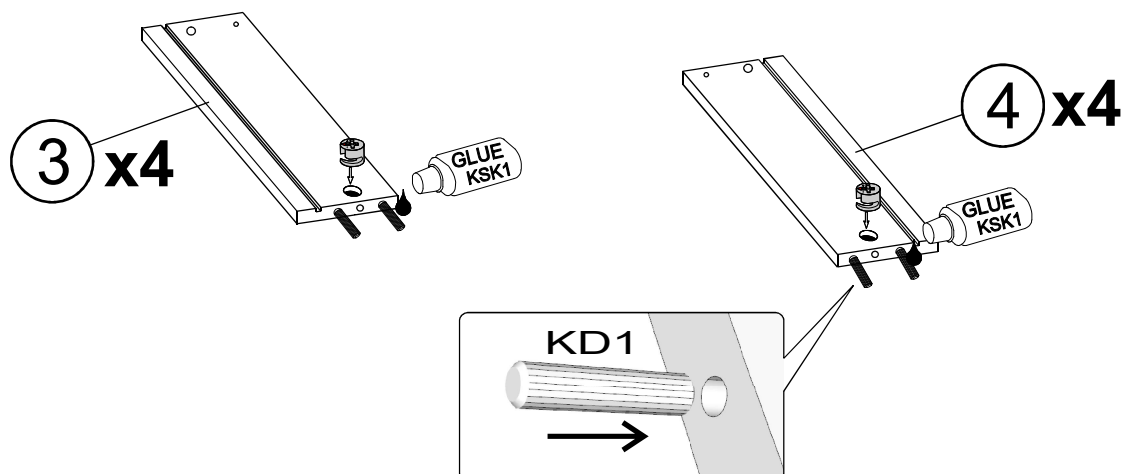
ZM1B	x8



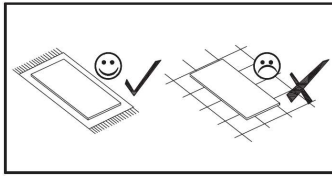
03



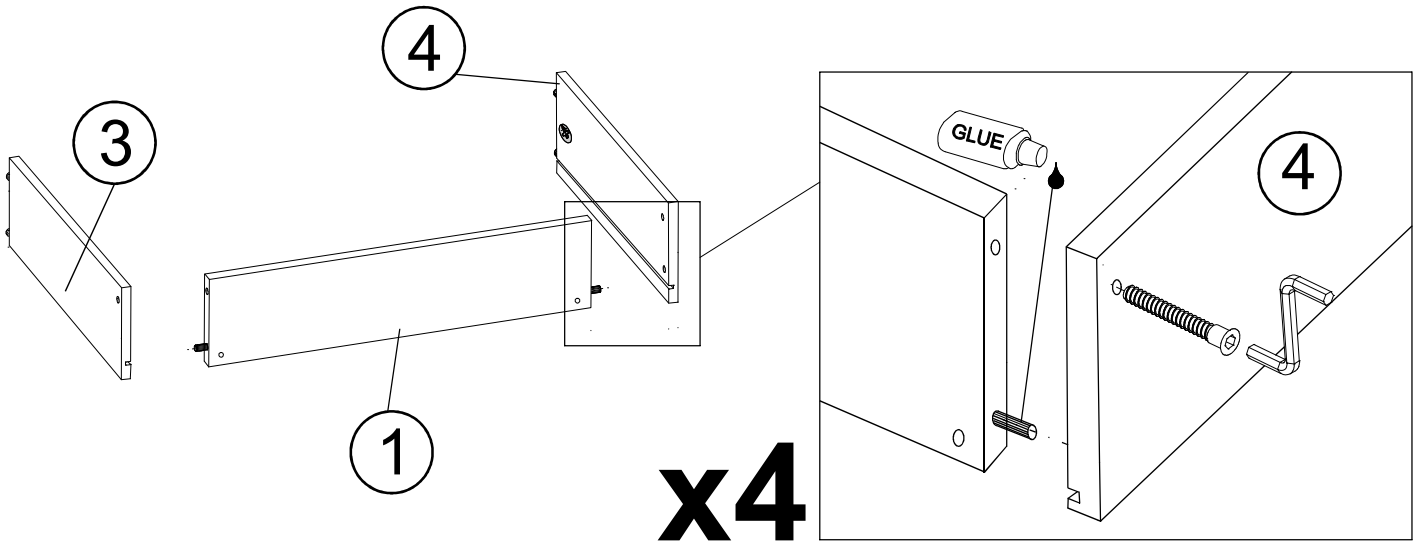
	8x35				15x12,5
KD1	x16	KSK1	x1	ZM1A	x8



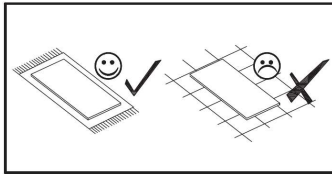
04



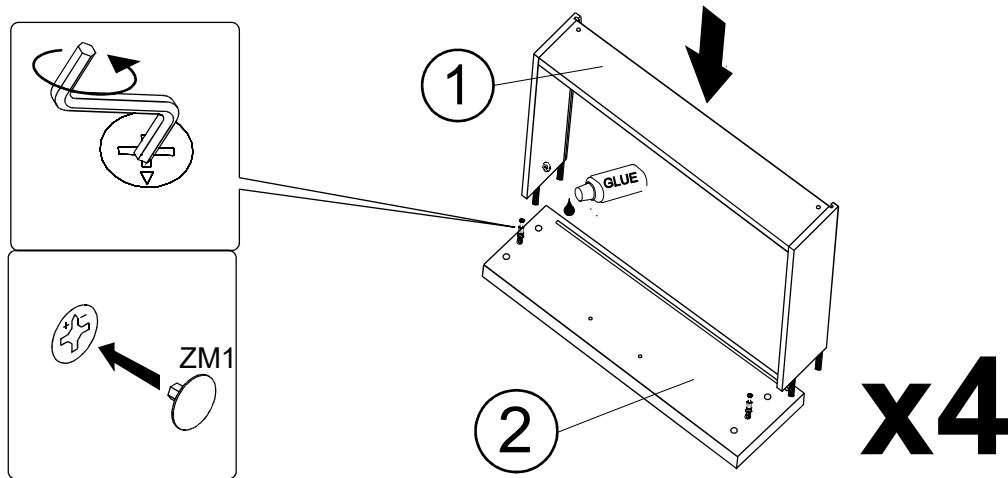
	x1		7x50
KK1		K1	x8



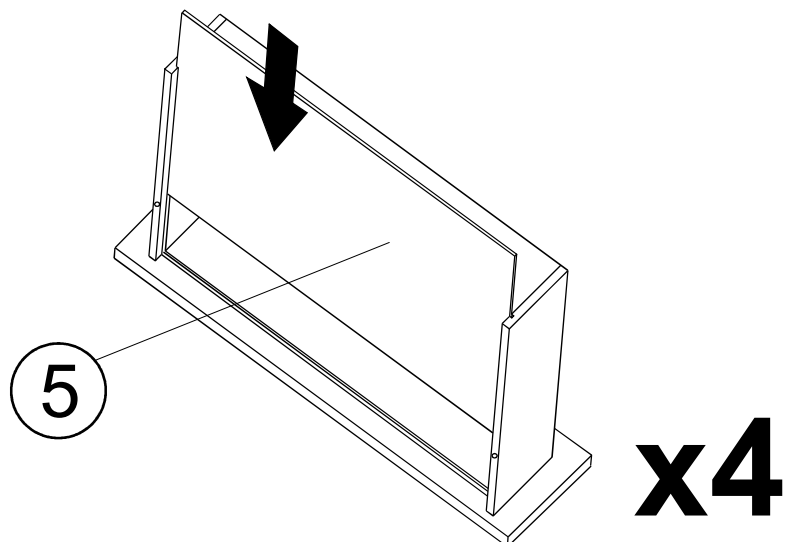
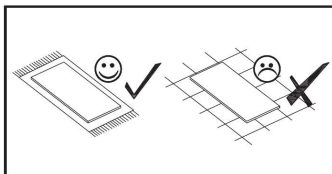
05



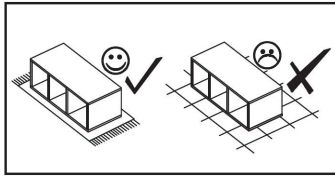
KSK1	x1	KK1	x1	ZM1	x8



06



07



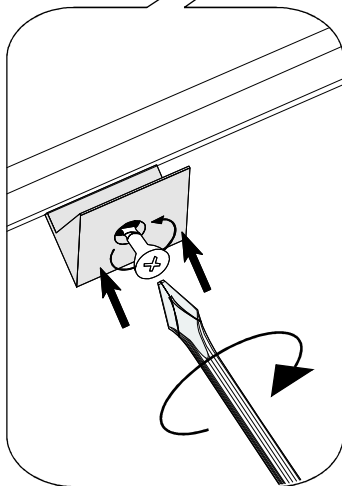
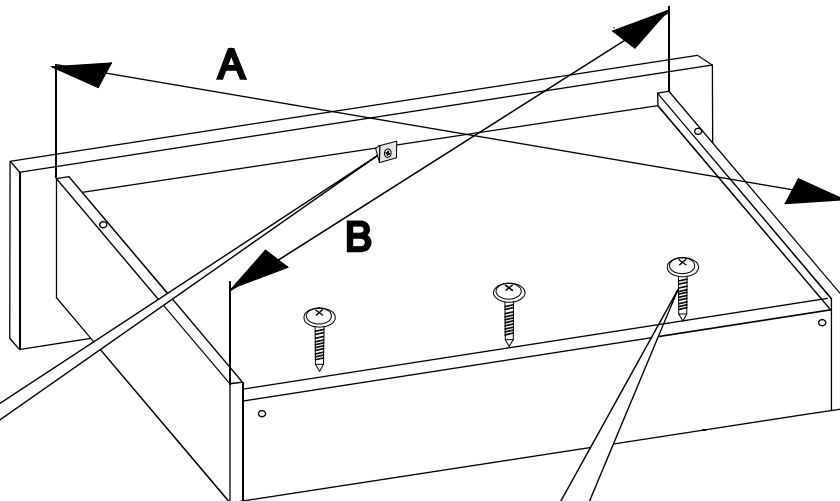
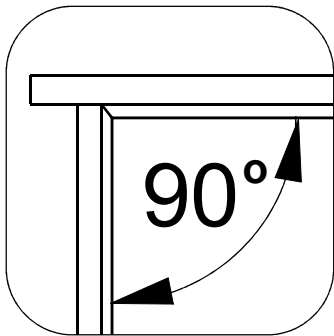
	x1		x4		x12
KK1	x1	S1	x4	W1	x12

07a → 07b → 07c

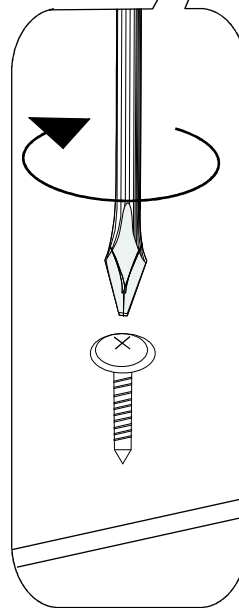
07a



A=B



07c



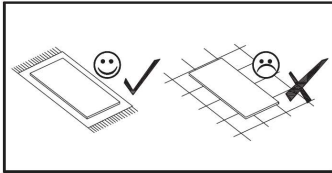
07b



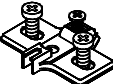

x4

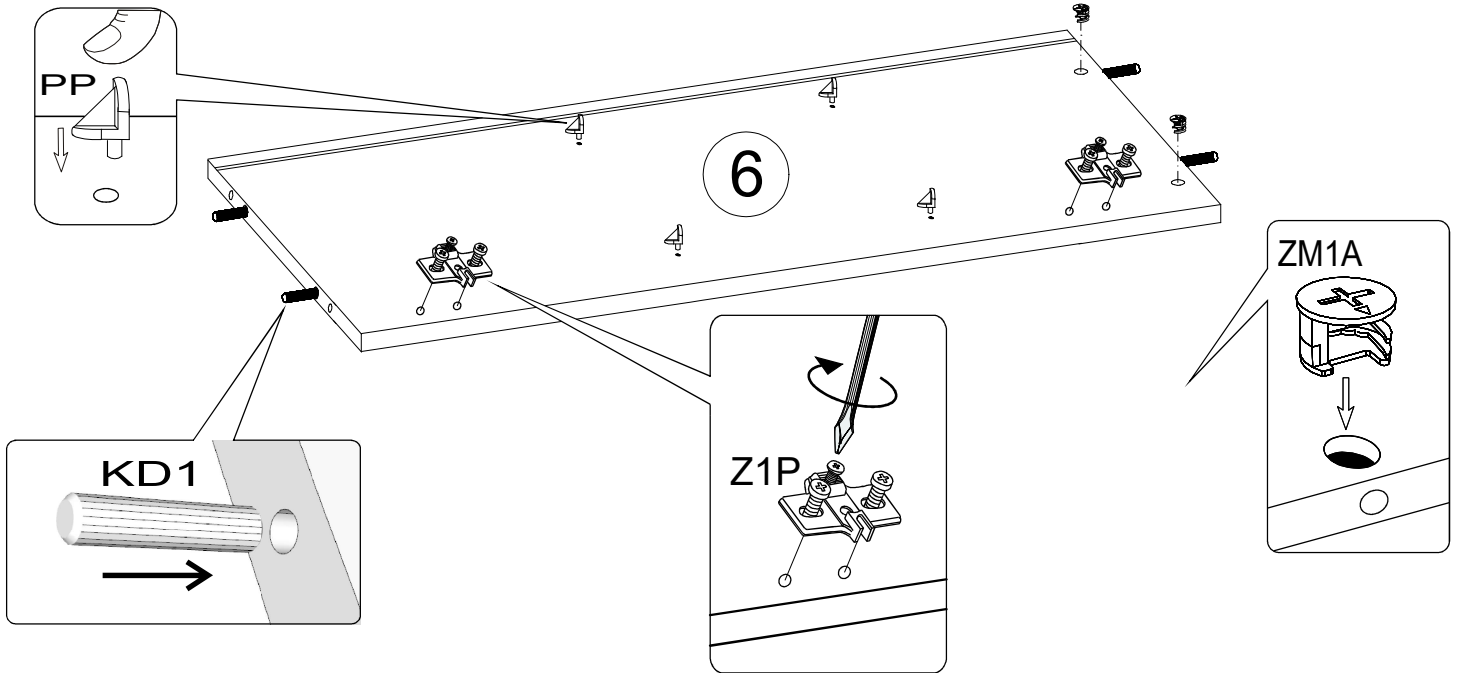
GOMERA KOMMODE 5

6/16

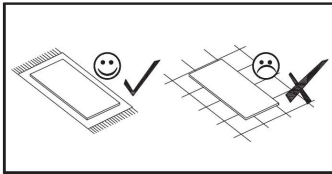
08

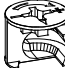

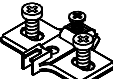



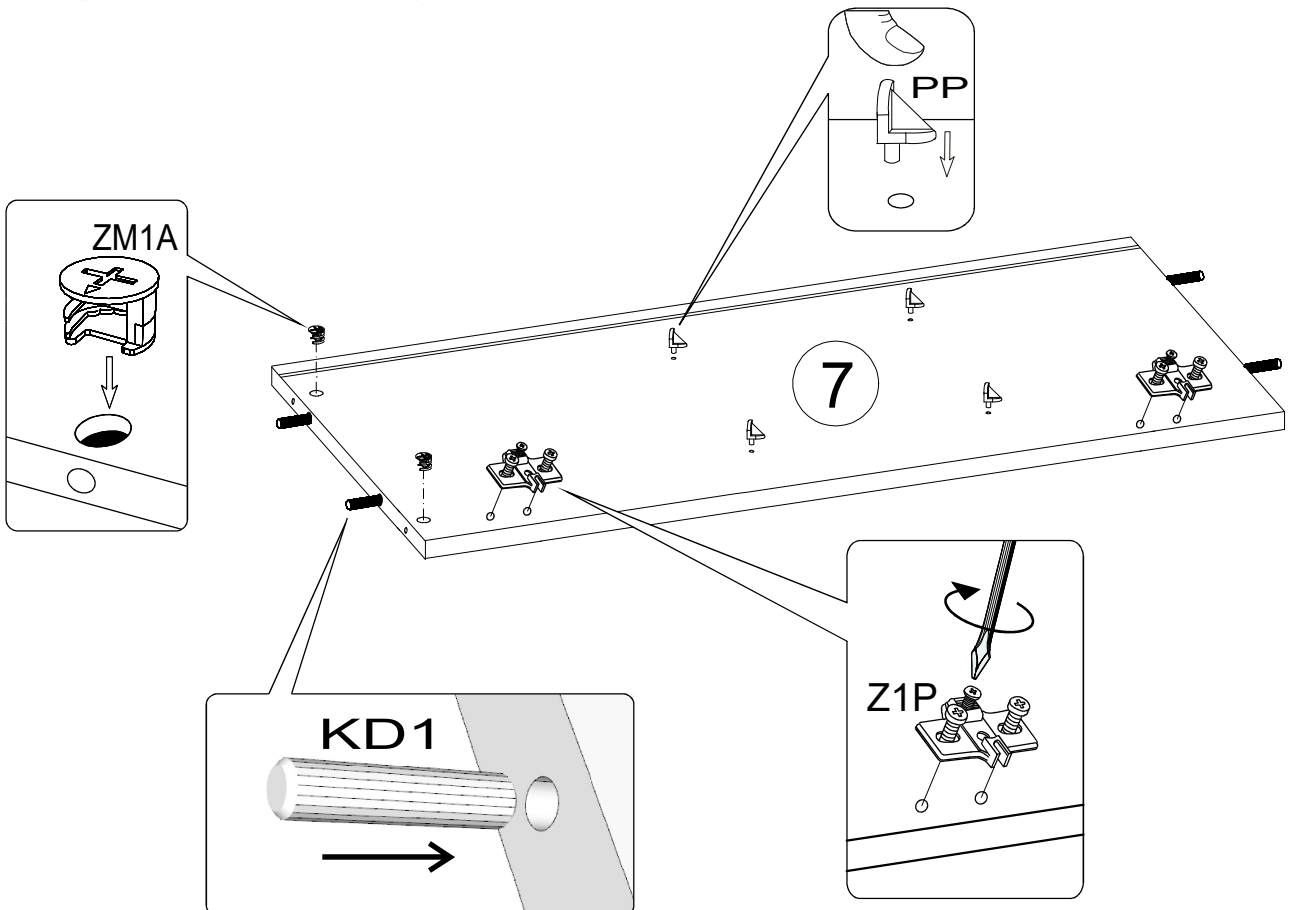
	15x12,5		8x35				
ZM1A	x2	KD1	x4	Z1P	x2	PP	x4



09



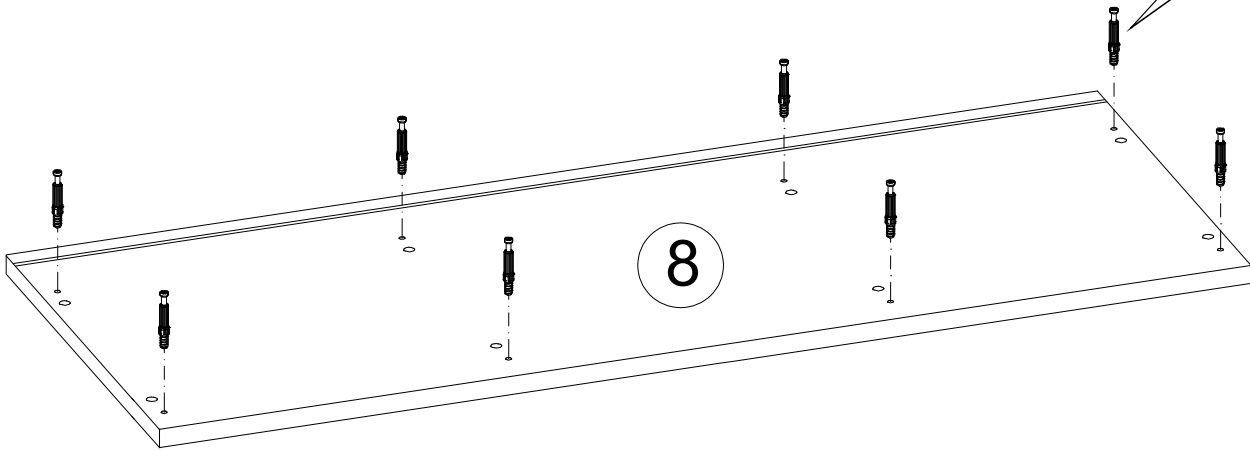
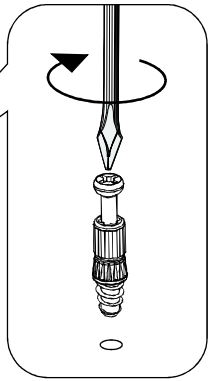
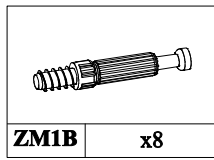
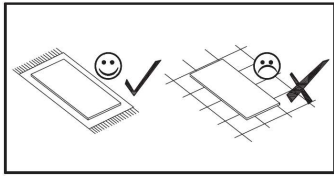
	15x12,5		8x35				
ZM1A	x2	KD1	x4	Z1P	x2	PP	x4



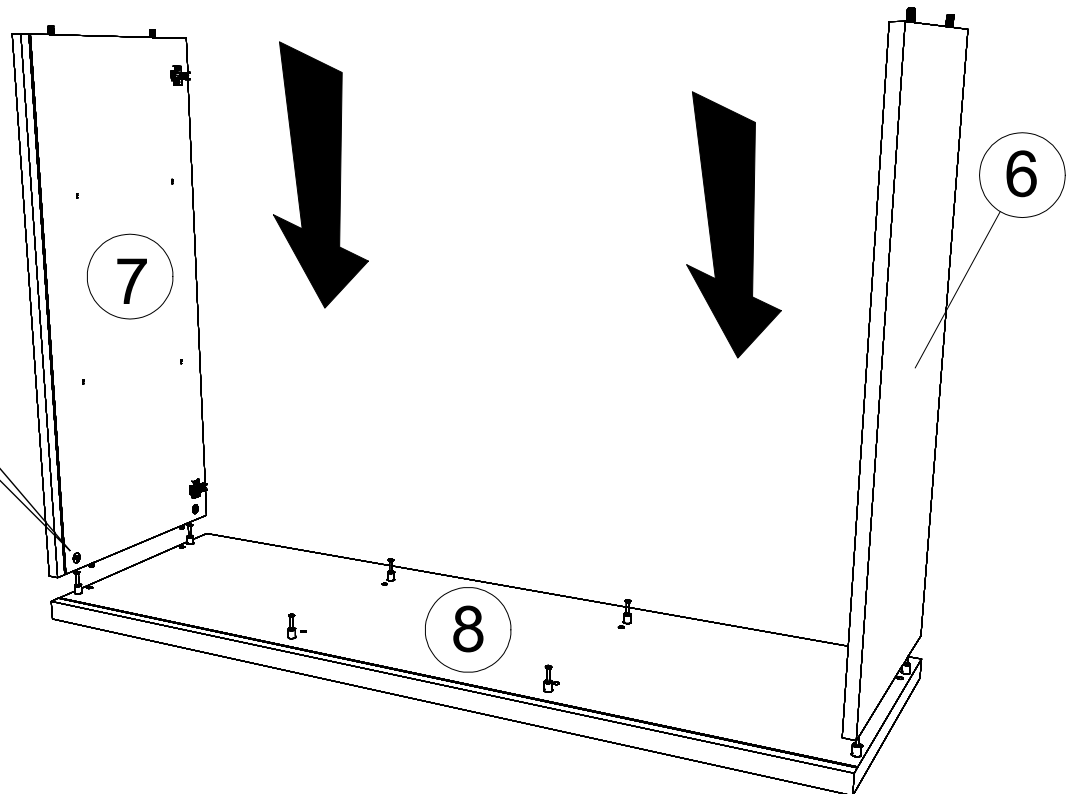
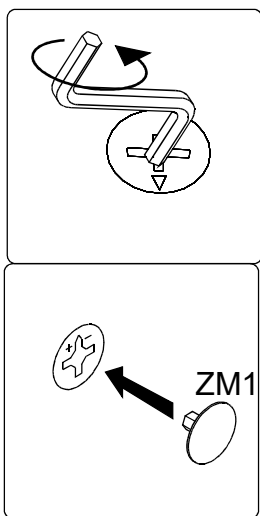
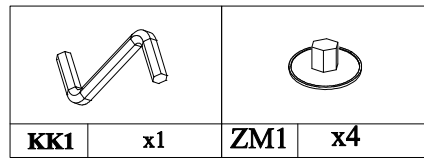
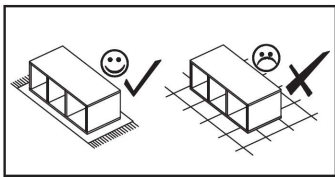
GOMERA KOMMODE 5

7/16

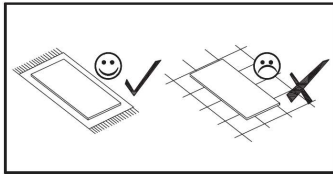
10






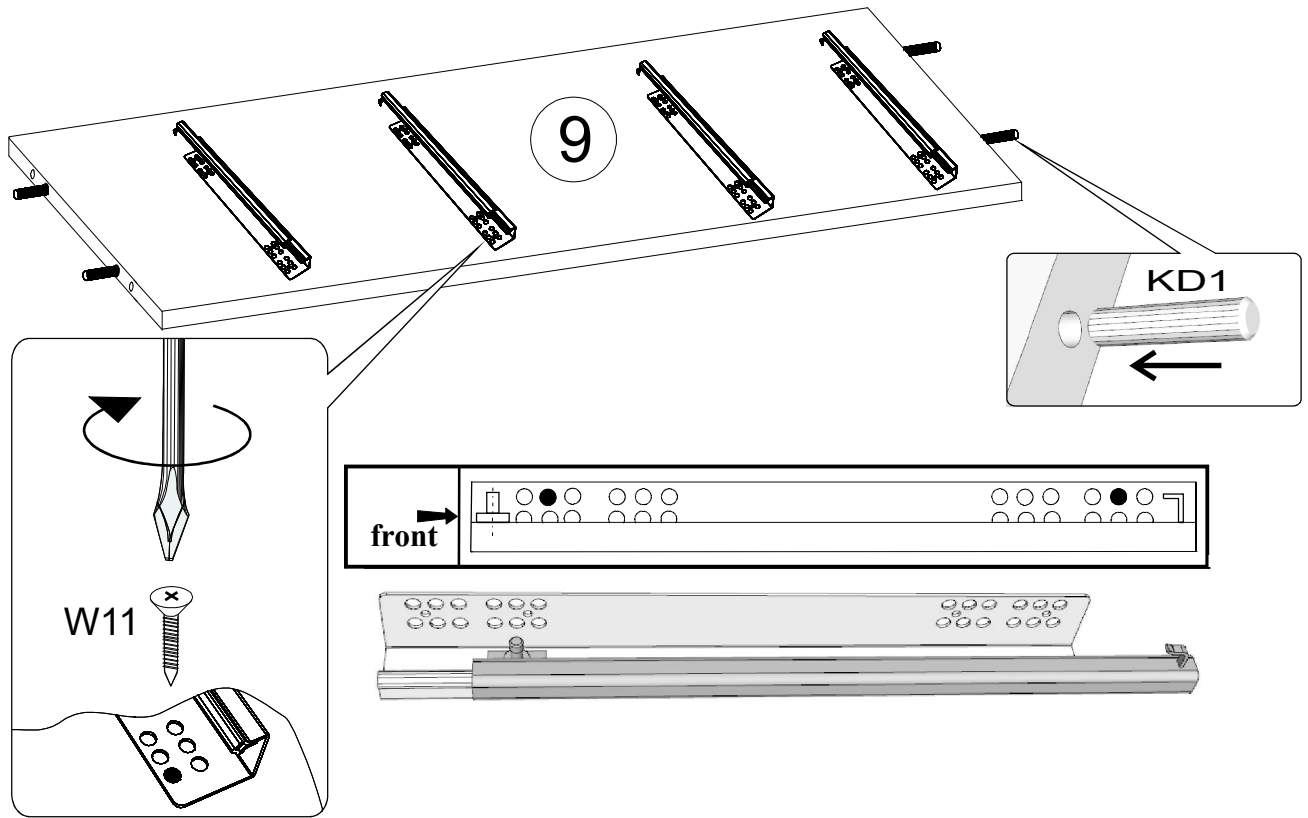
11



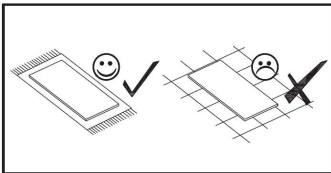
12





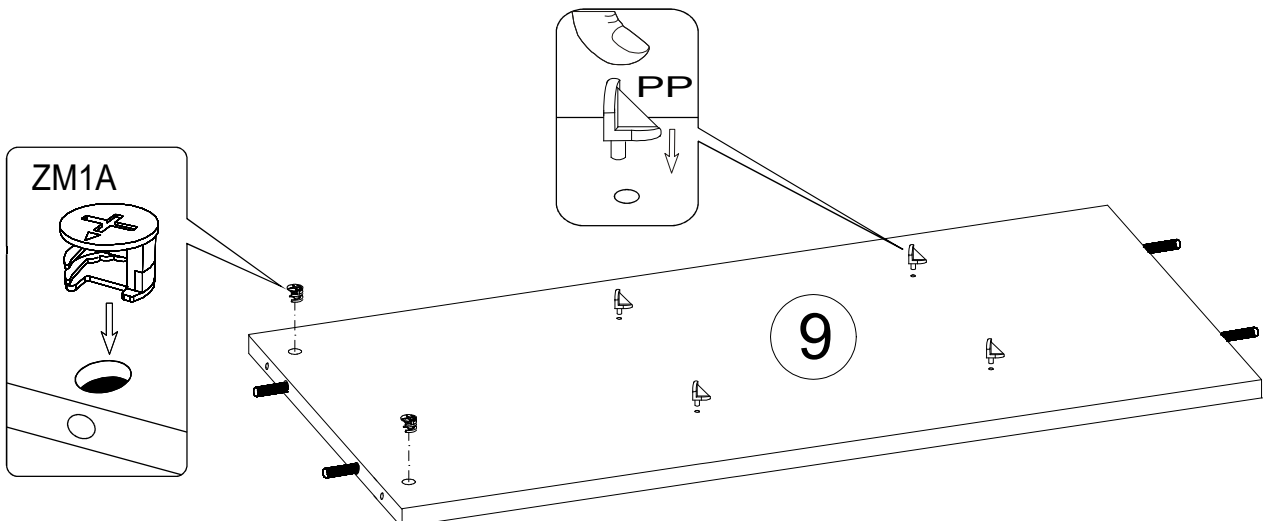
	8x35		3,5x16		
KD1	x4	W11	x8	PQ1	x4



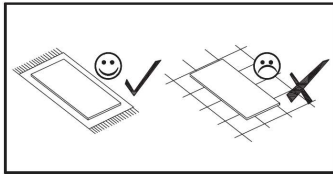
13

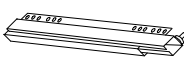
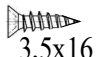



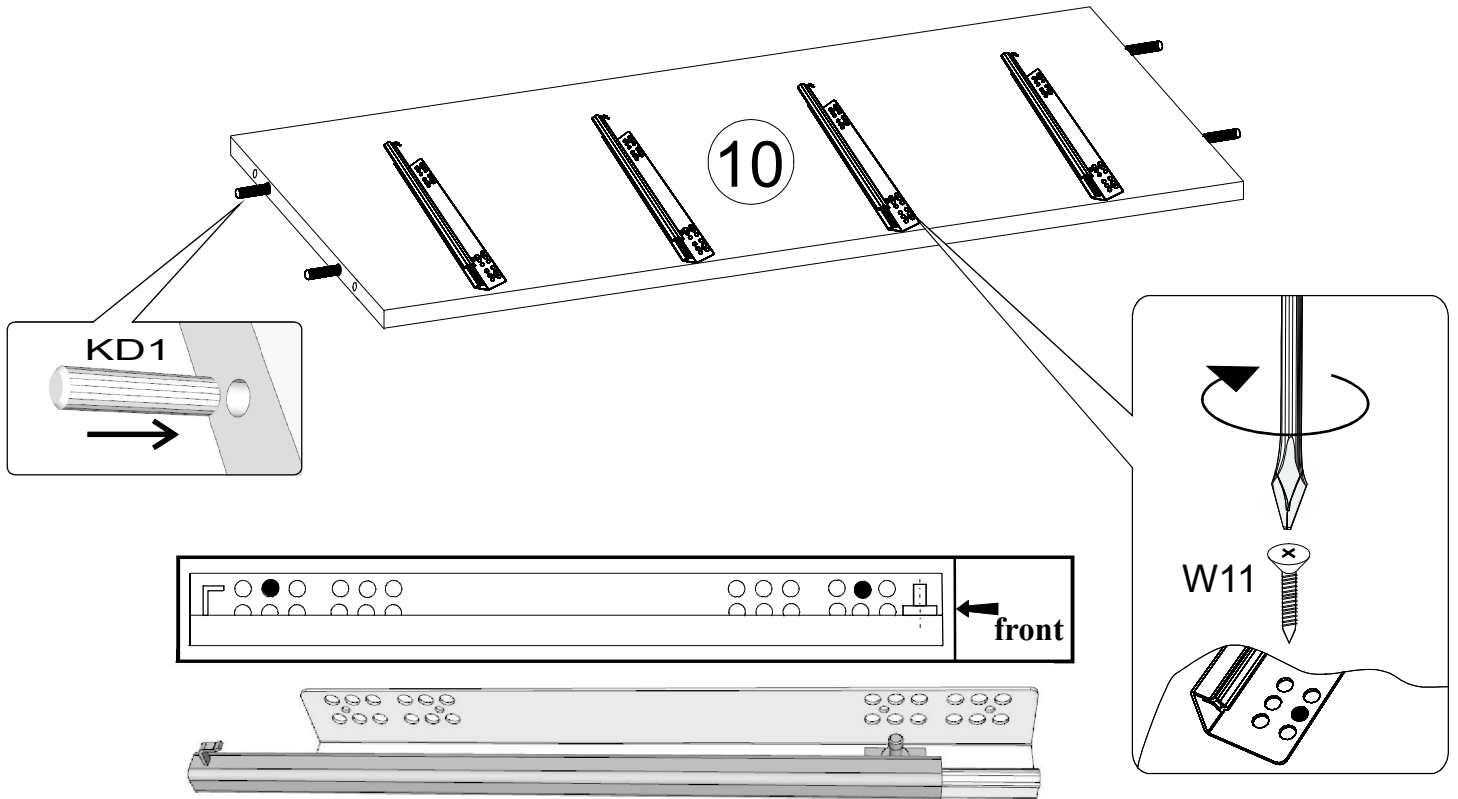
	15x12,5		
ZM1A	x2	PP	x4



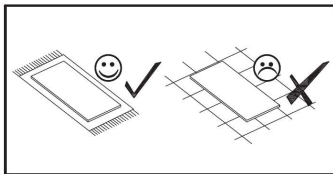
14





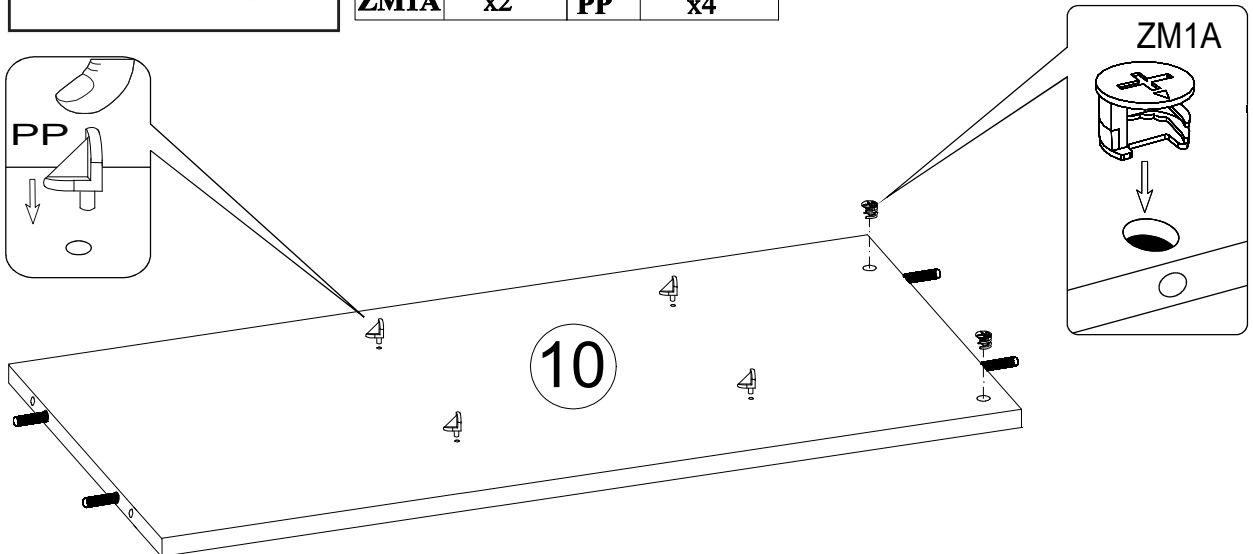
		
PQ2	3,5x16	8x35
x4	x8	x4



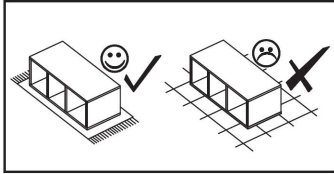
15

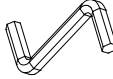



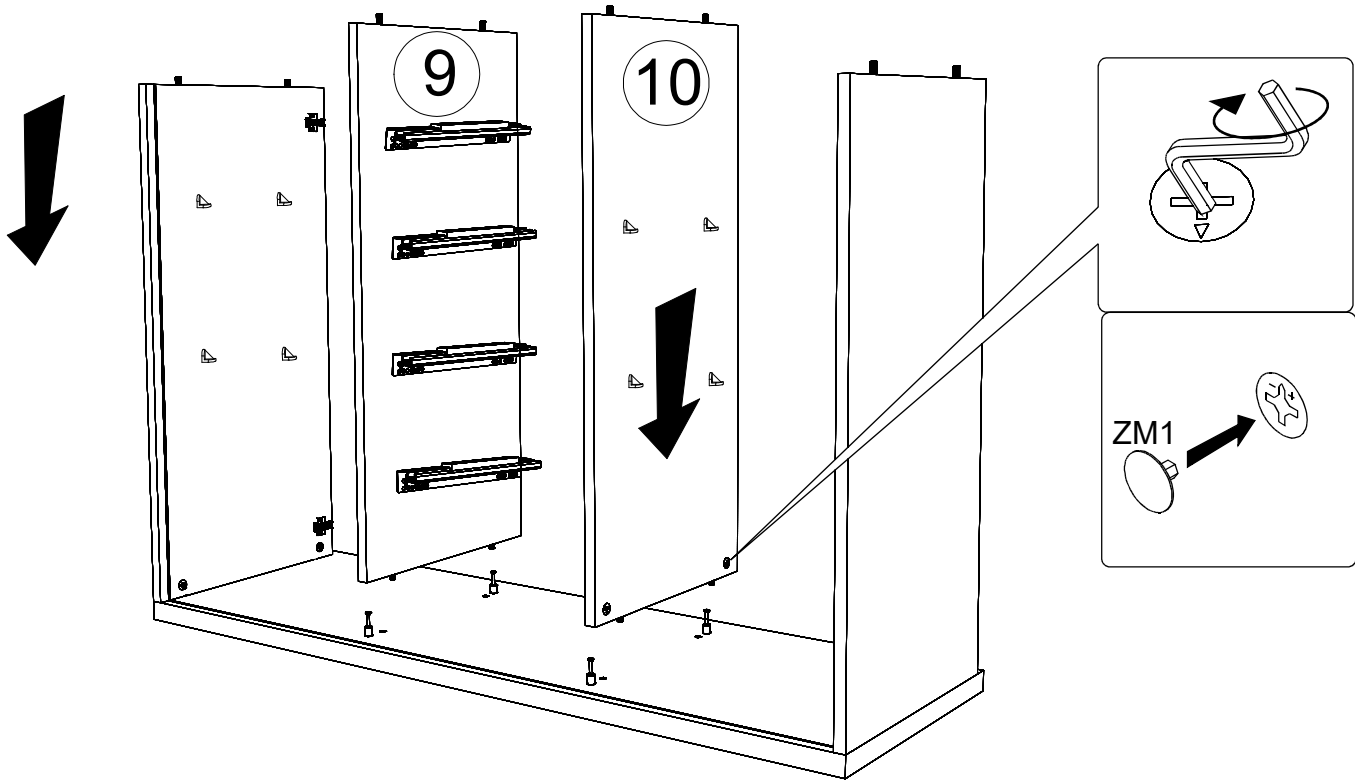
	
15x12,5	
ZM1A	PP
x2	x4



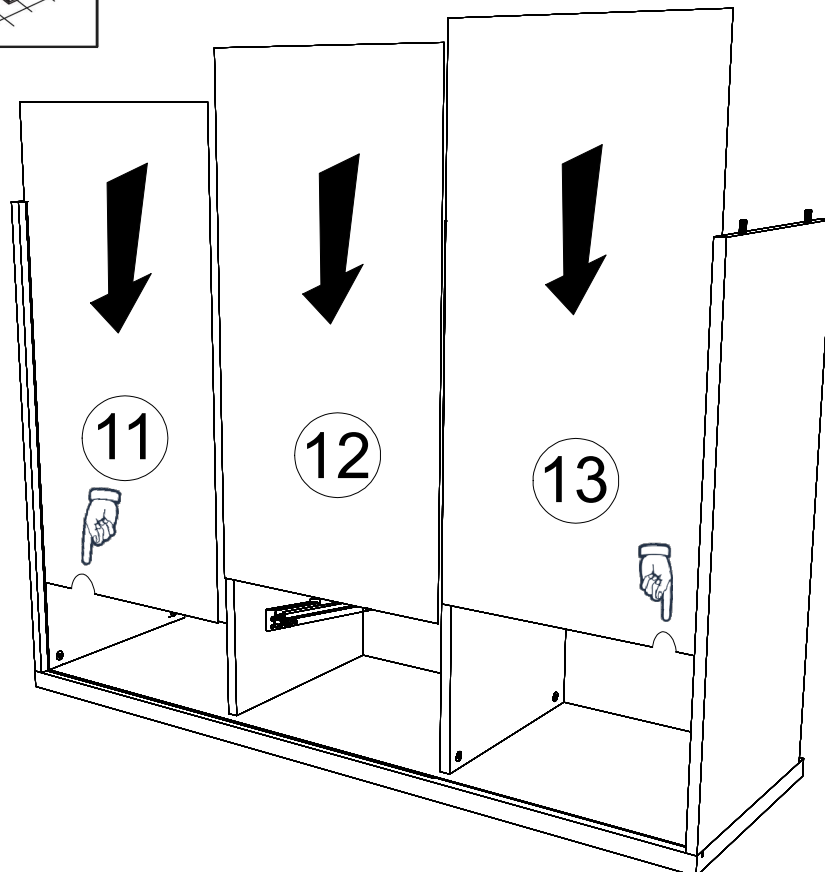
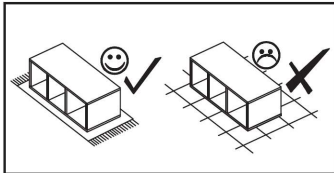
16



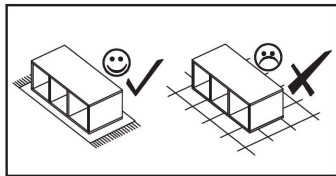
	x1		x4
KK1	x1	ZM1	x4





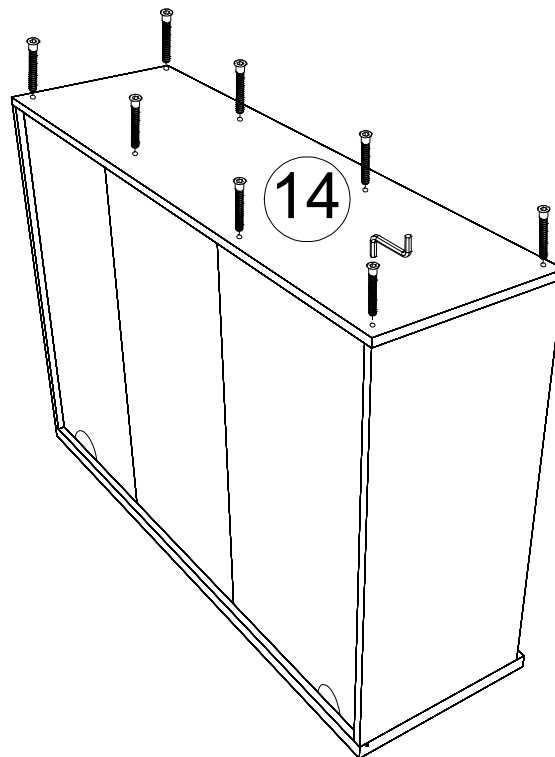
17



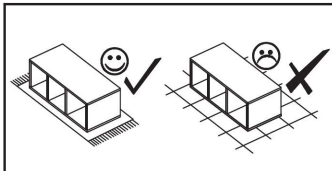
18

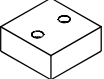
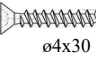


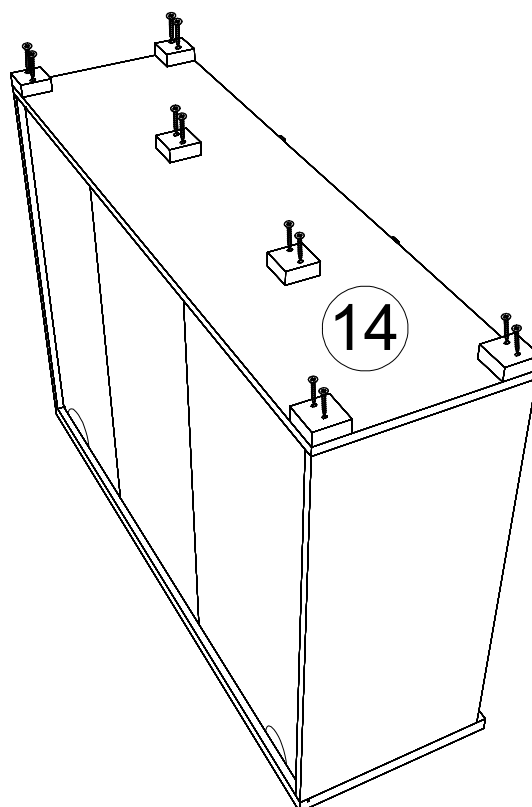
			7x50
KK1	x1	K1	x8



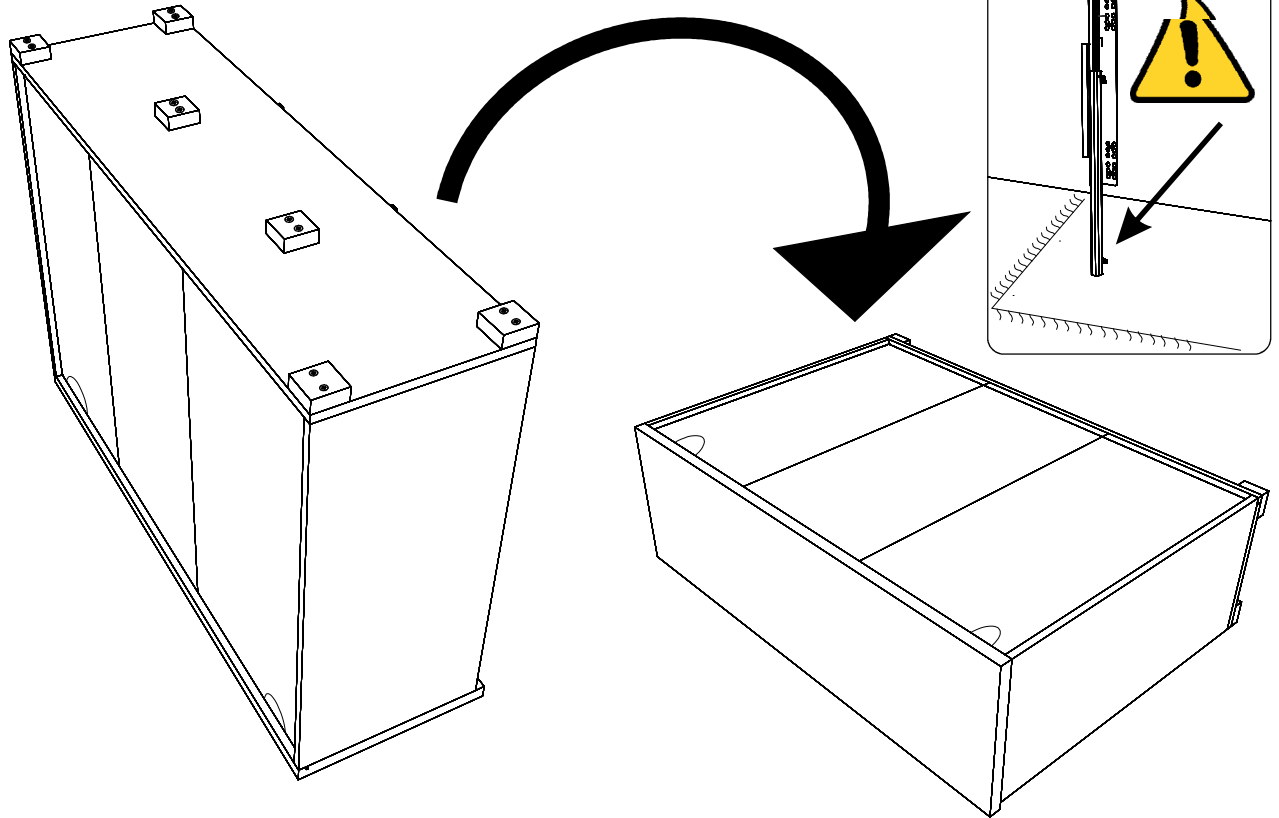
19



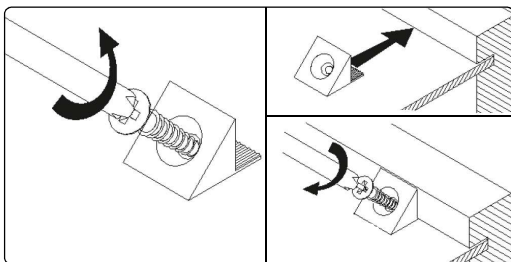
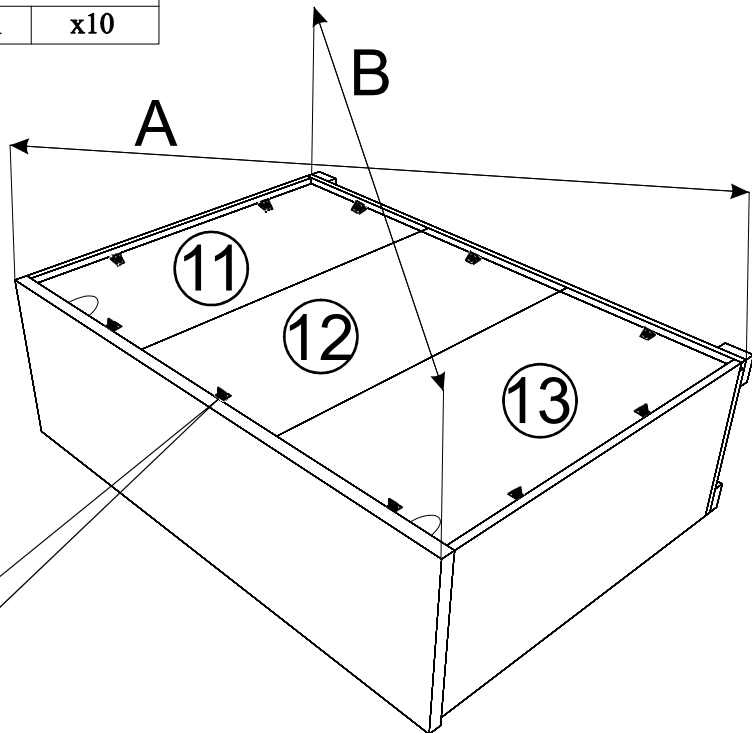
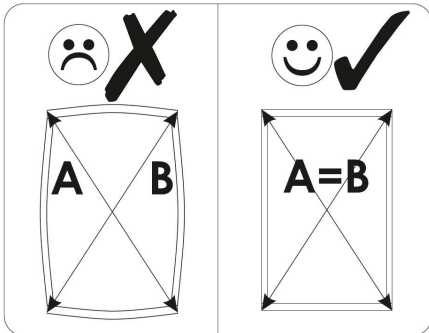
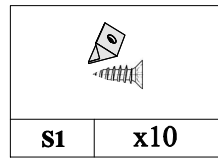
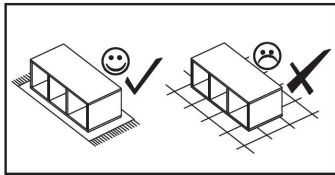
			ø4x30
SS2	x6	W7	x12



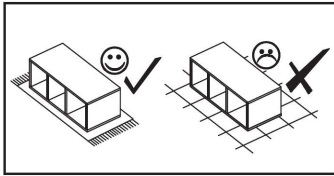
20





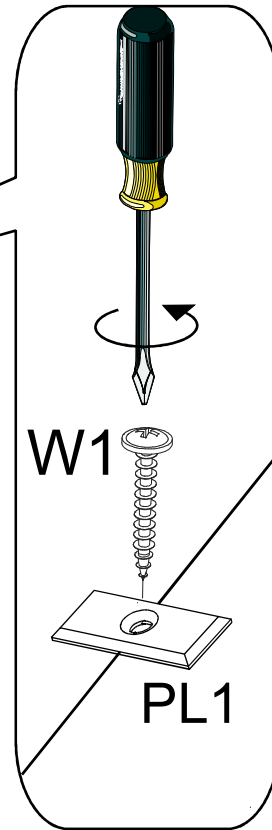
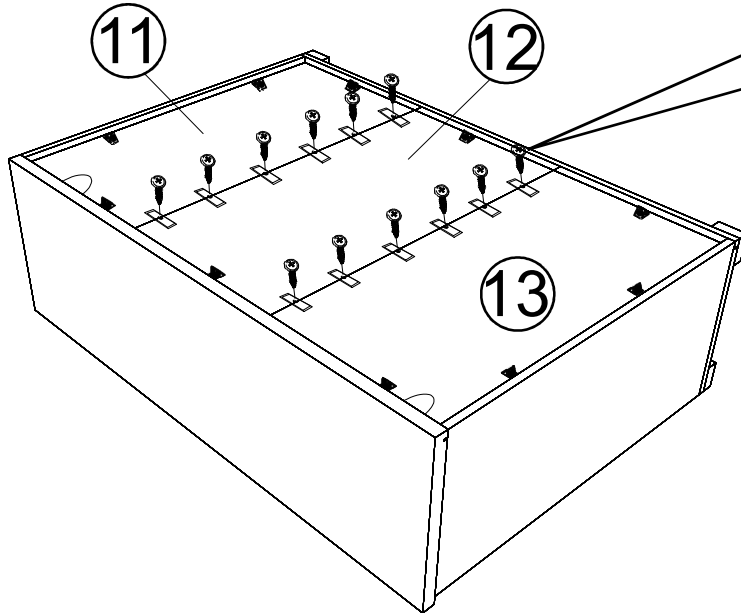
21



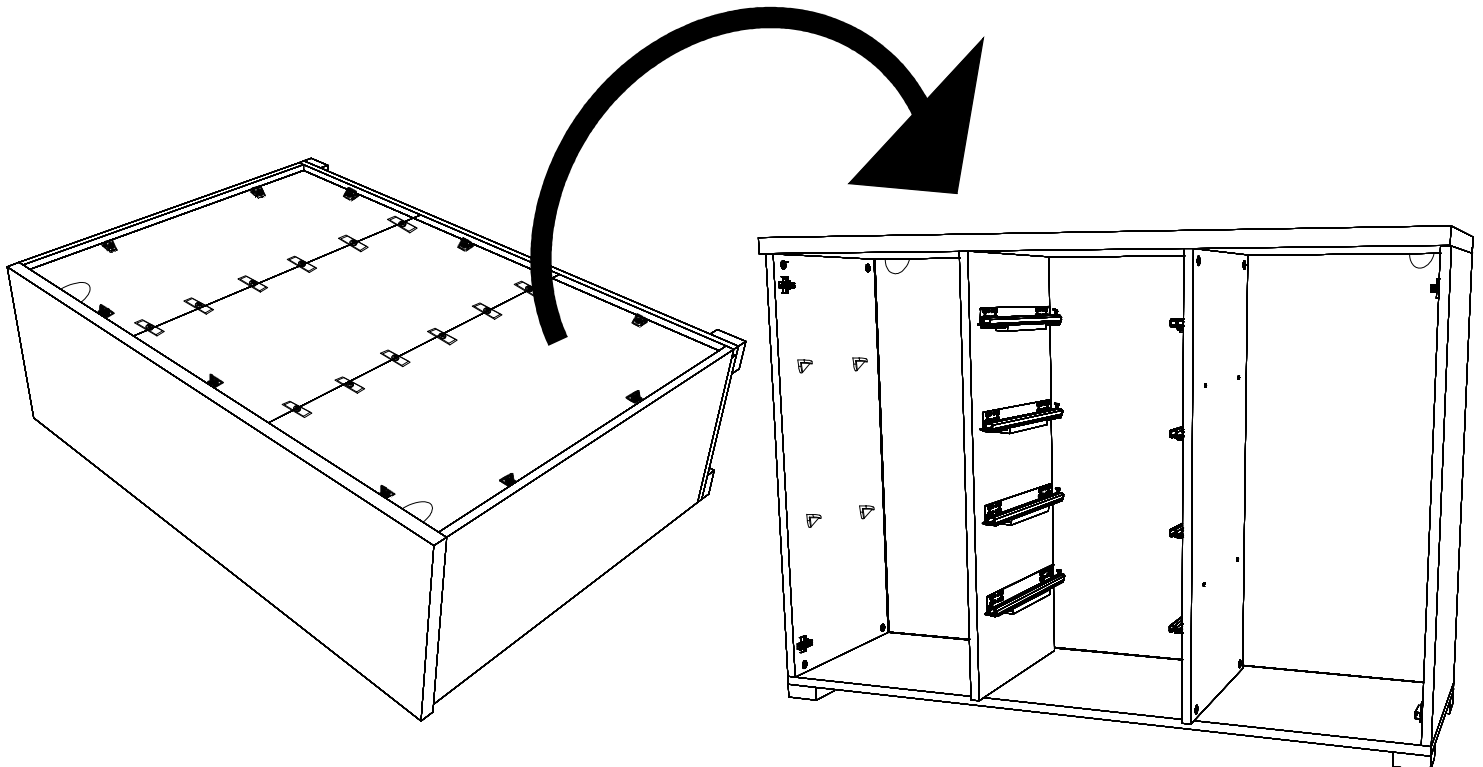
22



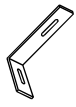


 3x16			
W1	x12	PL1	x12

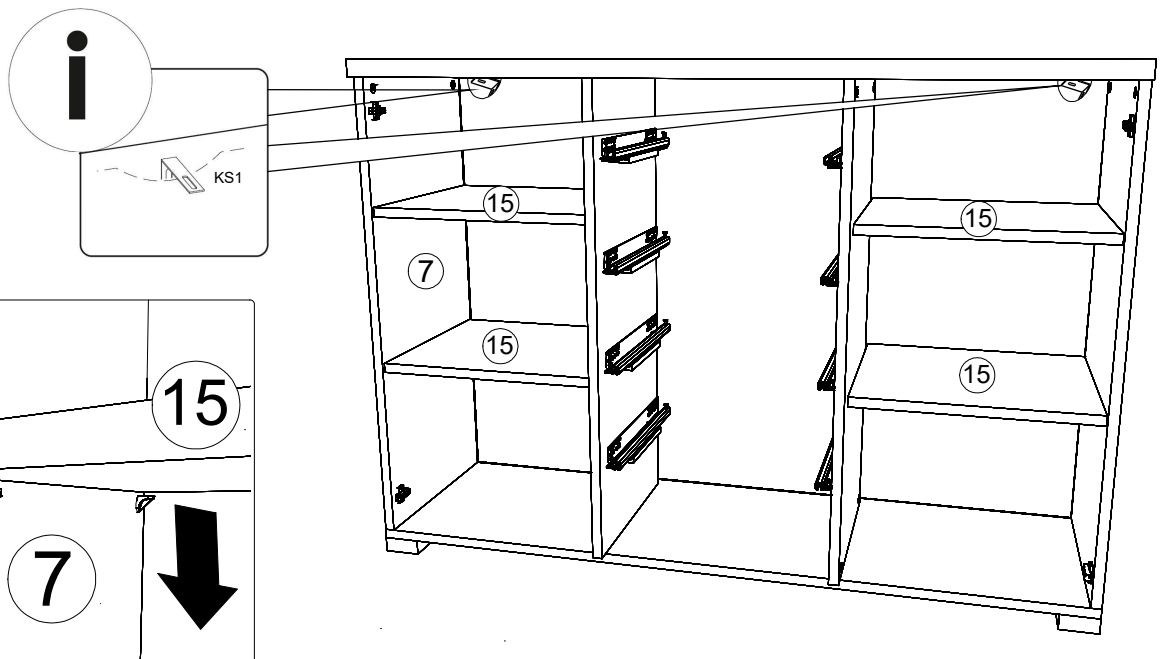
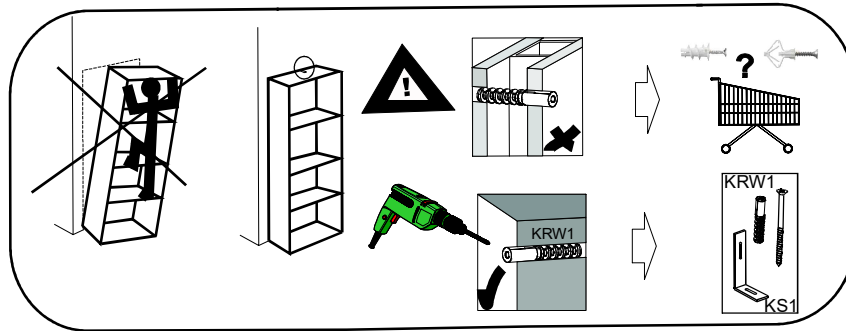


23

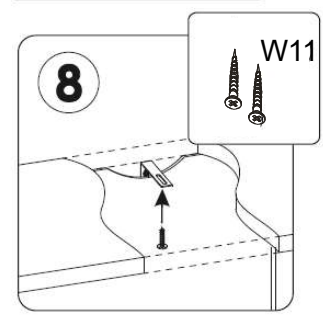
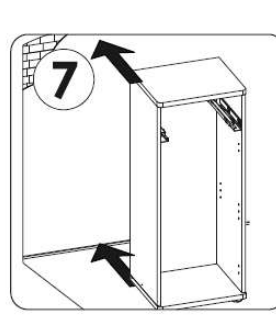
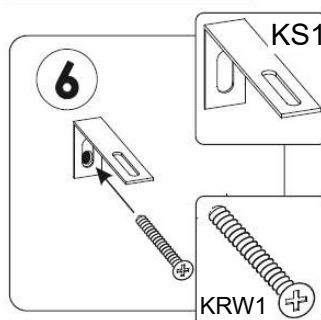
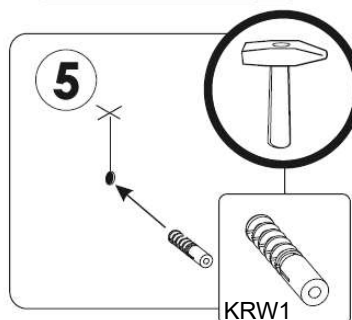
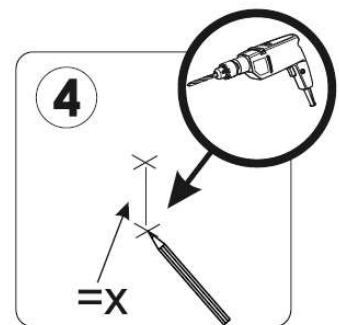
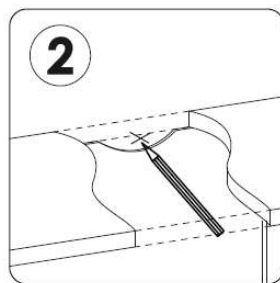
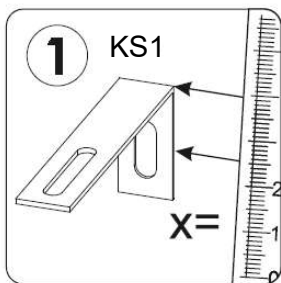


24

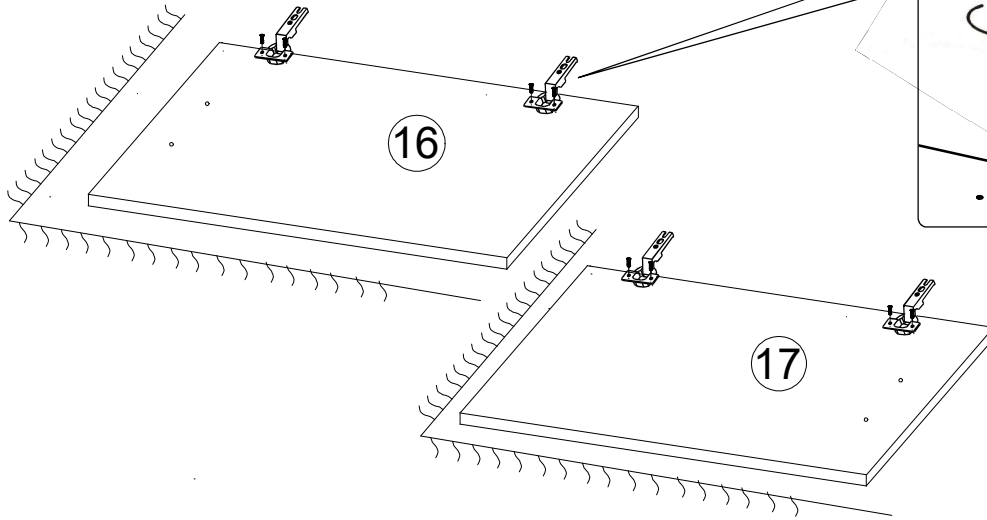
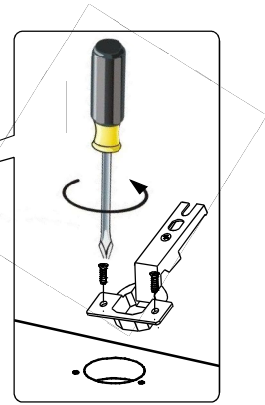
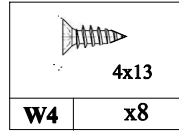
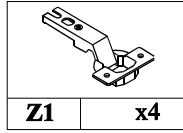
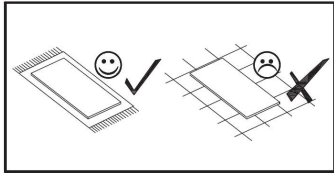
					
KS1	x2	W11	x4	KRW1	x2



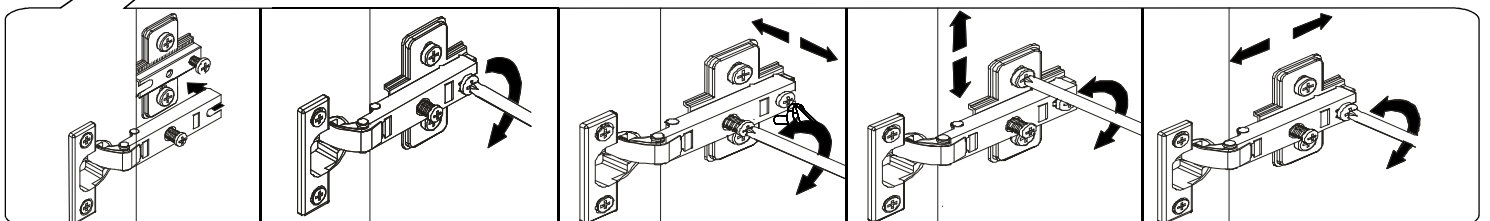
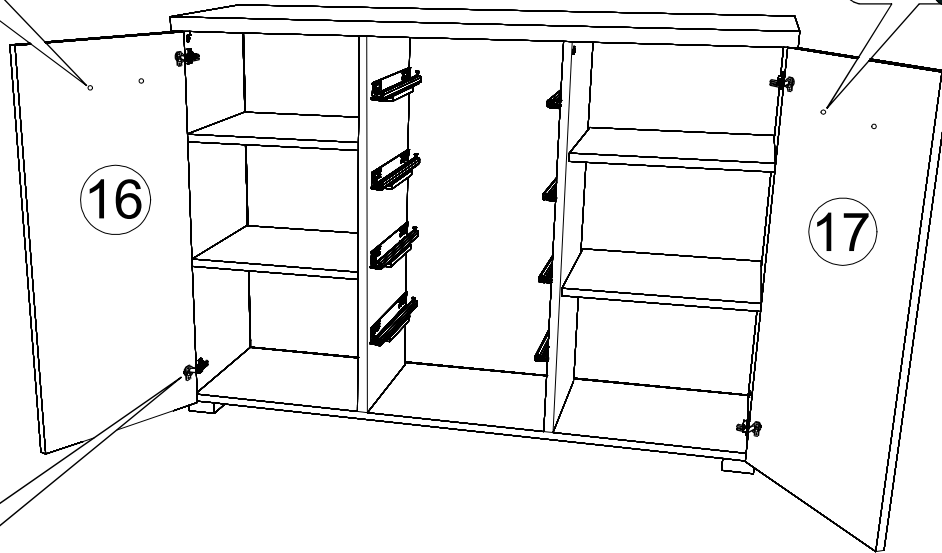
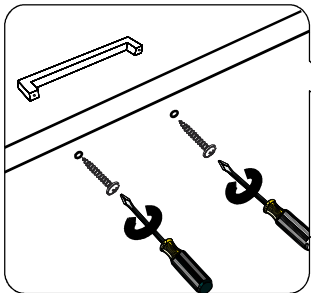
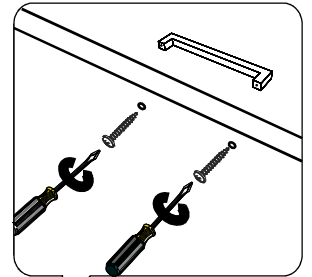
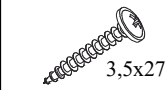
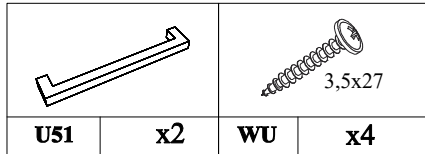
i




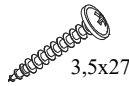
25

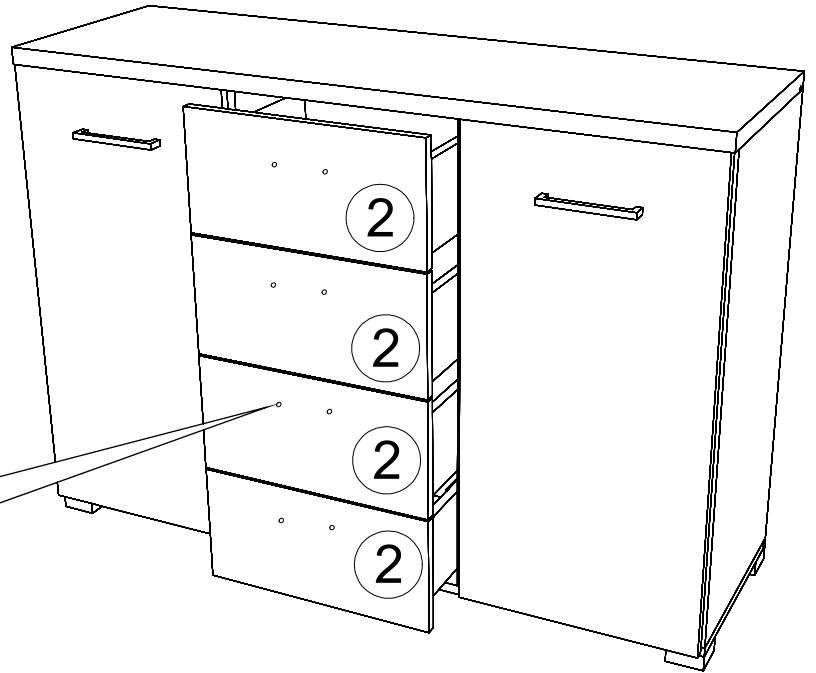
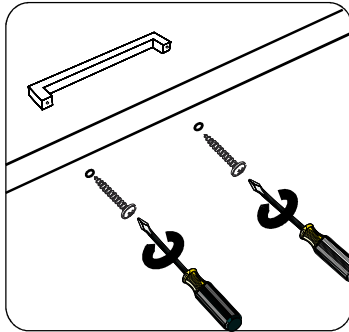
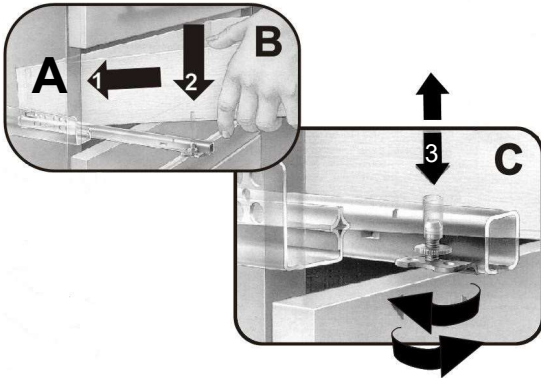


26



27

			
U51	x4	WU	x8



28

