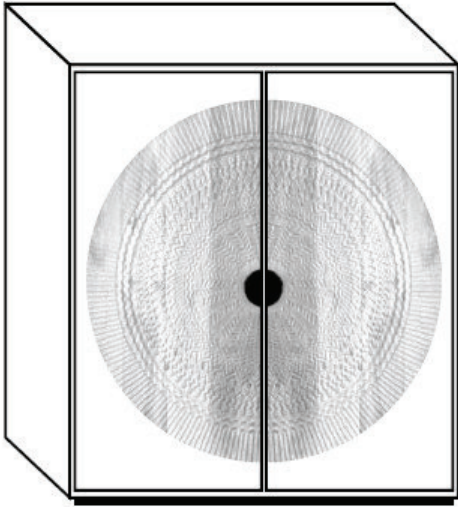


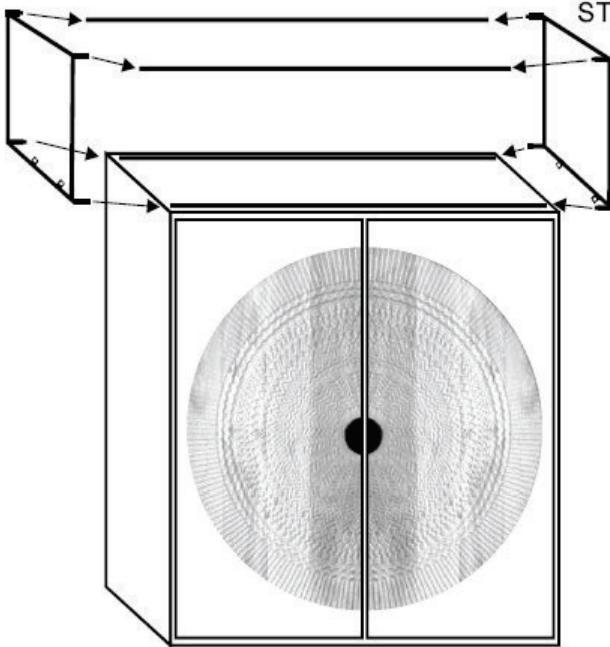
# Assembly Instructions

## Art. No. 67809

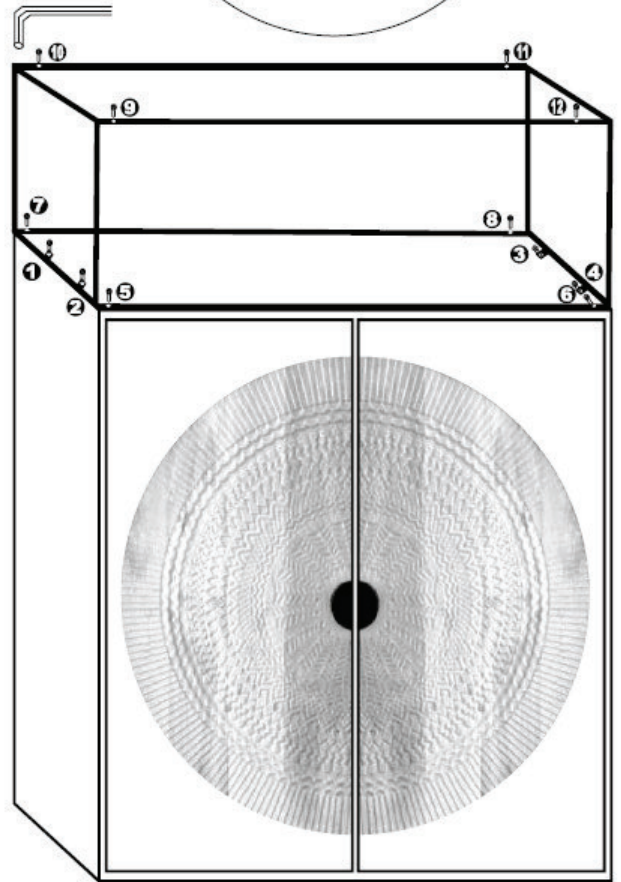
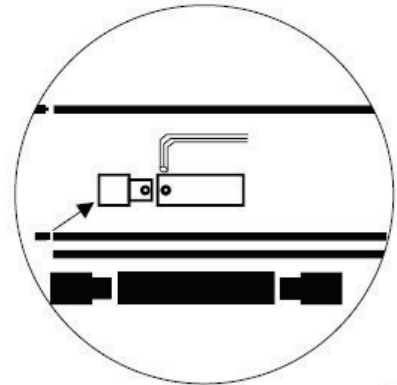
STEP 1



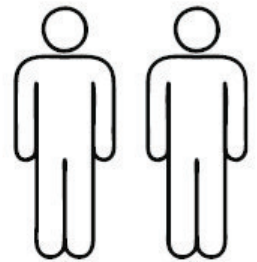
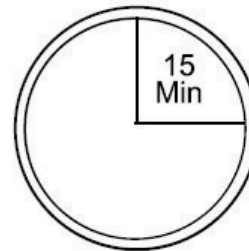
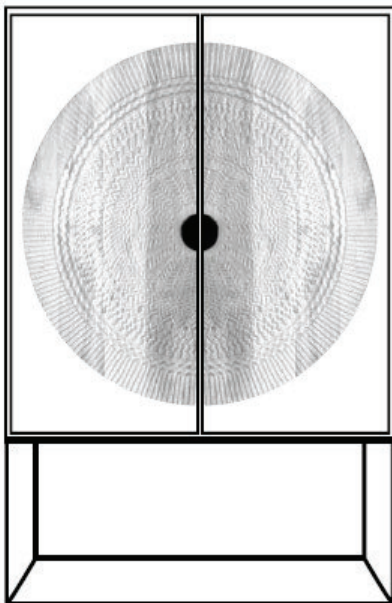
STEP 2



STEP 3



Final Product



(4x20mm)  
(8 Pcs.)



(4x16mm)  
(4 Pcs.)



(01 Pcs.)