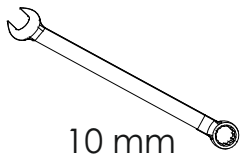
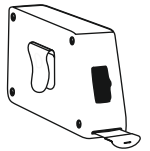
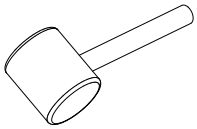
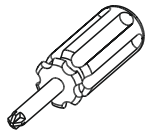
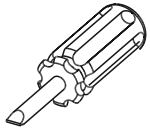
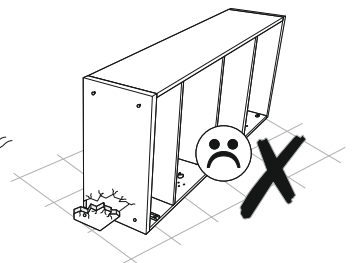
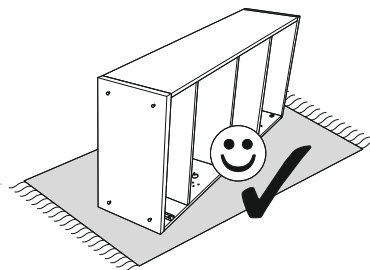
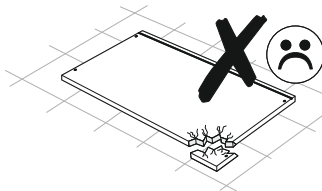
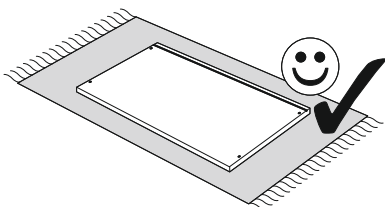
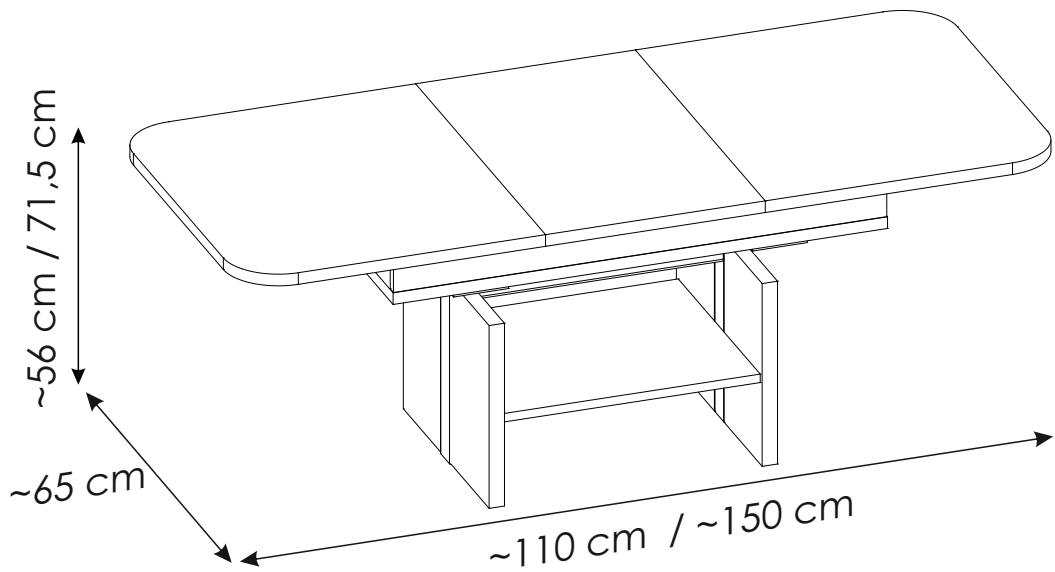


# CRTT03



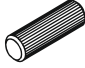



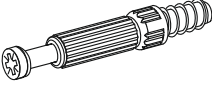
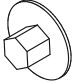

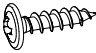
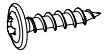



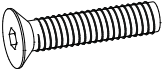
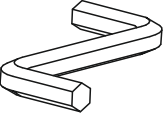





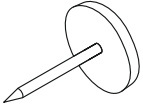
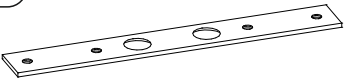
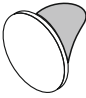
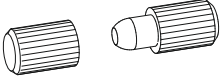


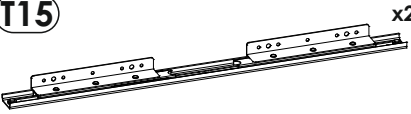
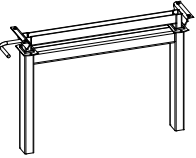
10 mm

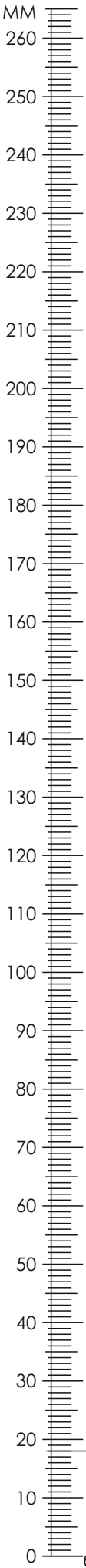




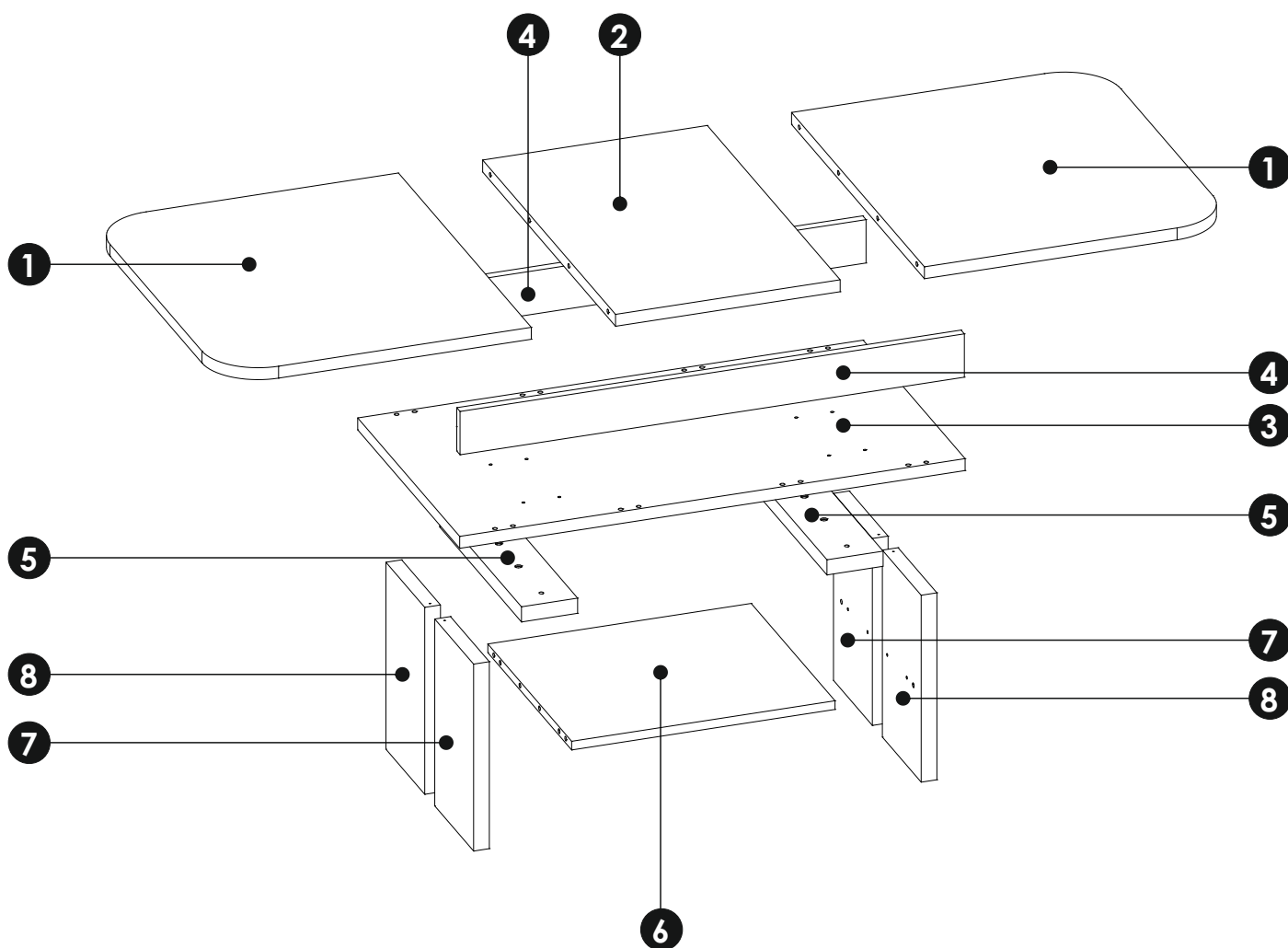
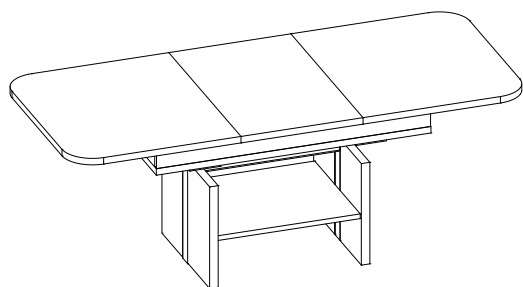
# CRTT03

MM

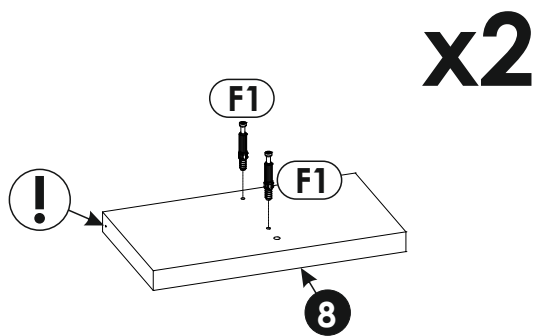
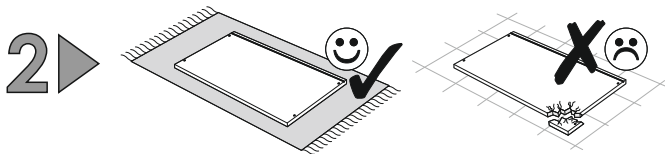
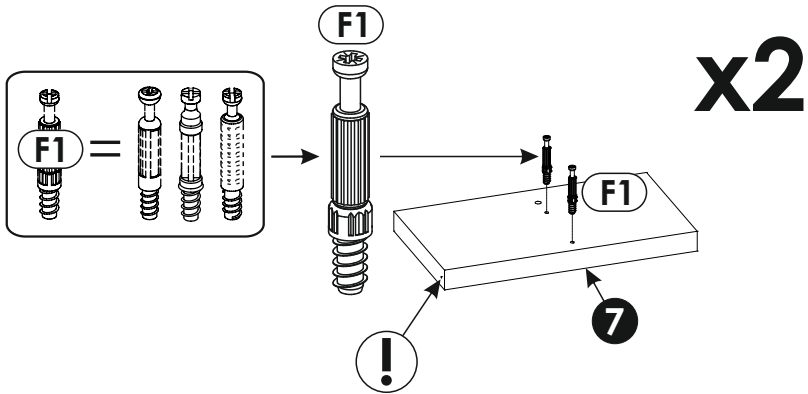
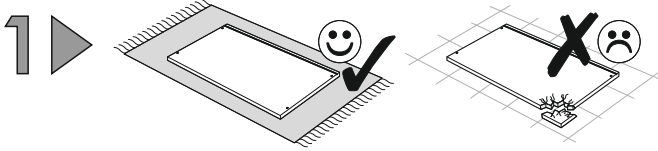
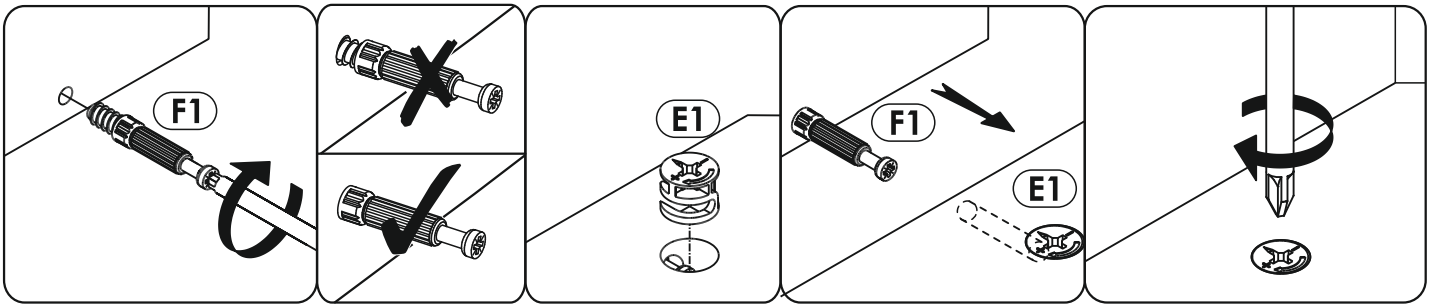
<p><b>A1</b> 8 x 35 mm x12</p> 	<p><b>A6</b> 8 x 24 mm x4</p> 	<p><b>E0</b> Ø16 x8</p> 
<p><b>E1</b> 15 x 12 mm x8</p> 	<p><b>F1</b> 6 x 34 mm x8</p> 	<p><b>G0</b> x8</p> 
<p><b>G2</b> 7 x 60 mm x8</p> 	<p><b>I2</b> 4 x 16 mm x24</p> 	<p><b>I8</b> 3,5 x 16 mm x4</p> 
<p><b>I9</b> 4 x 20 mm x20</p> 	<p><b>KN2</b> M6 x4</p>  <p>M6</p>	<p><b>K23</b> 6 x 35 mm x4</p> 
<p><b>K25</b> 8 x 20 mm x4</p> 	<p><b>M</b> x1</p> 	<p><b>M5</b> 5 mm x1</p>  
<p><b>N6</b> 3,5 x 20 mm x8</p> 	<p><b>N16</b> 4 x 40 mm x12</p> 	<p><b>O2A</b> Ø20 x12</p> 
<p><b>O2</b> x4</p> 	<p><b>PL</b> x2</p> 	<p><b>P16</b> x12</p>  <p>Ø14</p>
<p><b>R9</b> x8</p> 	<p><b>S10</b> x4</p> 	<p><b>S19</b> x4</p> 
<p><b>T15</b> x2</p>  <p>L - 650 mm</p>	<p><b>X</b> x1</p>  <p>2/2</p>	

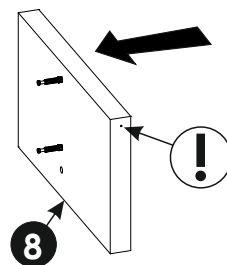
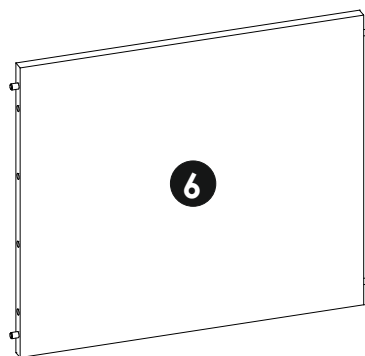
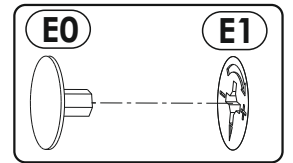
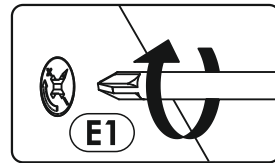
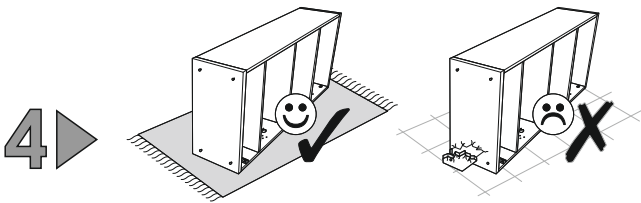
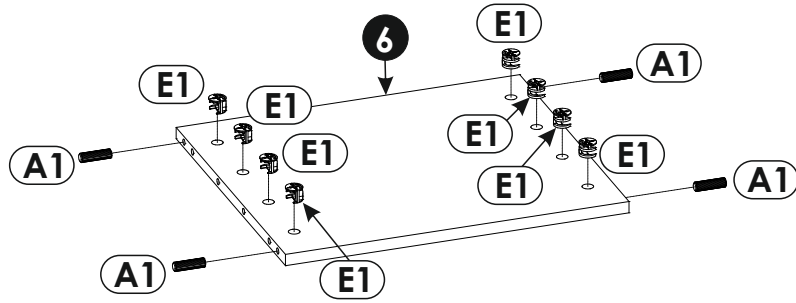
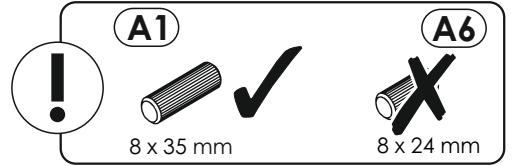
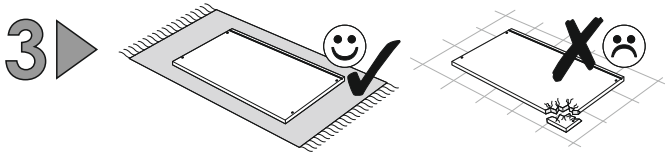


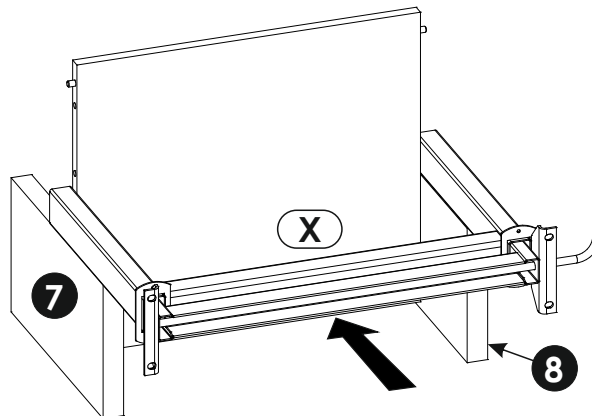
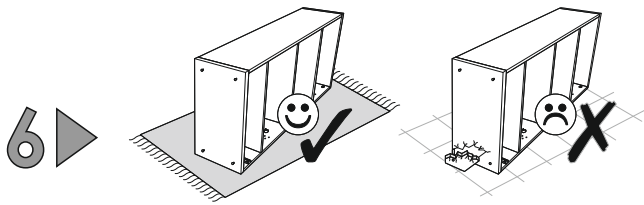
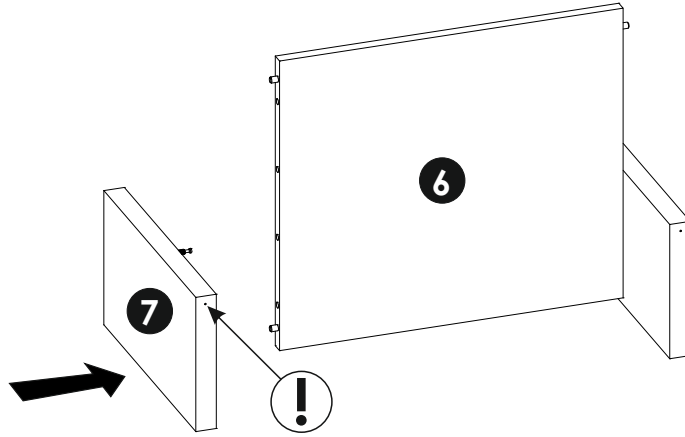
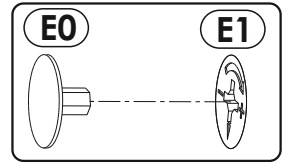
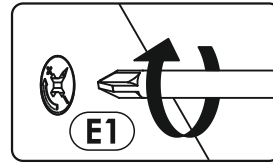
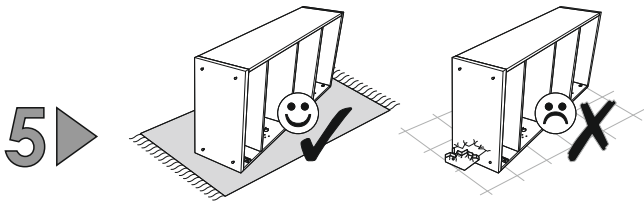
# CRTT03

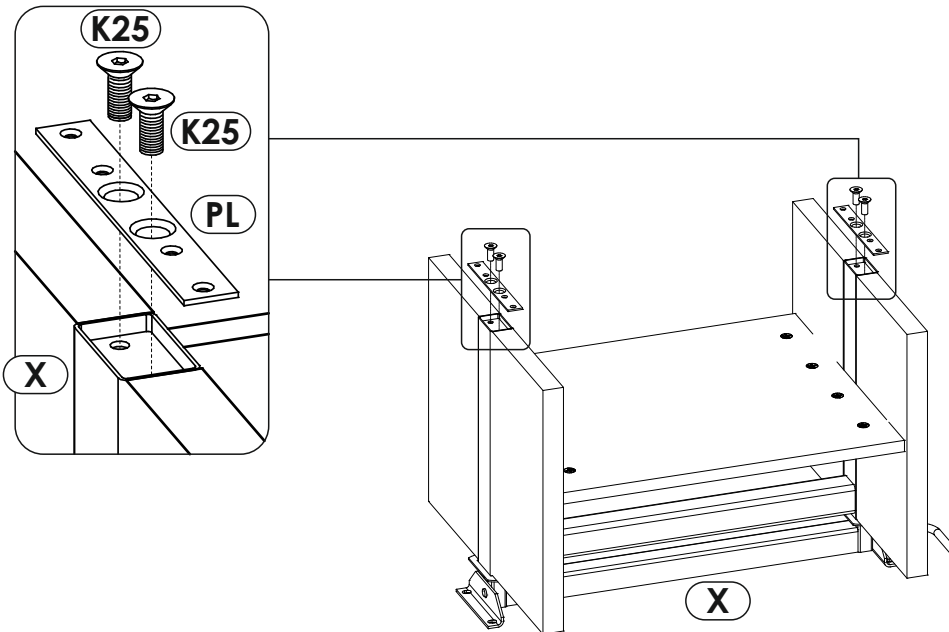
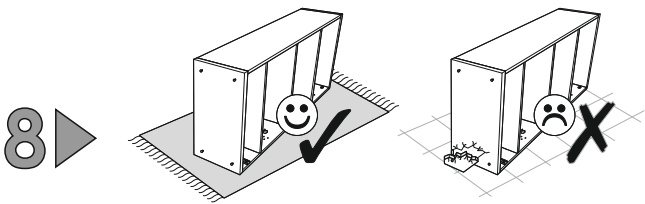
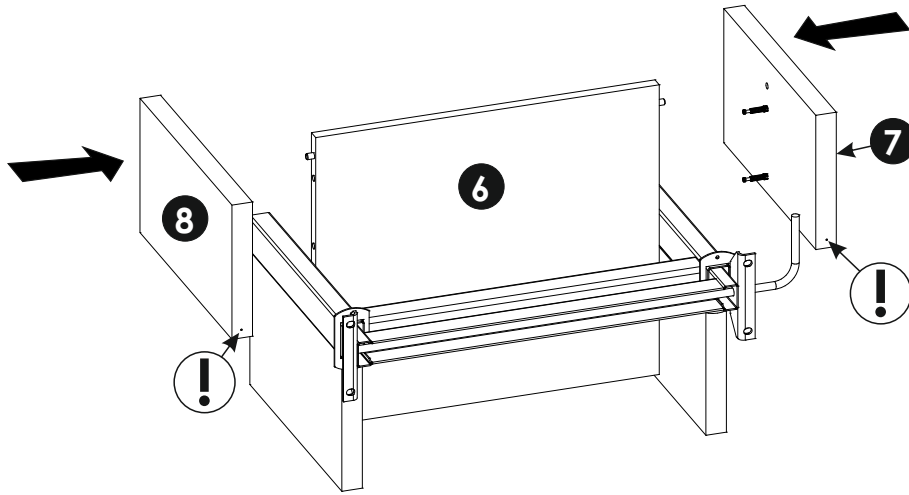
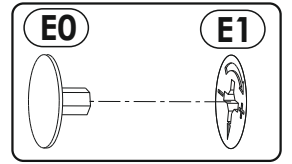
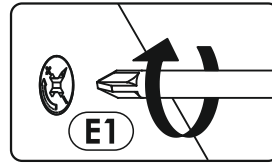
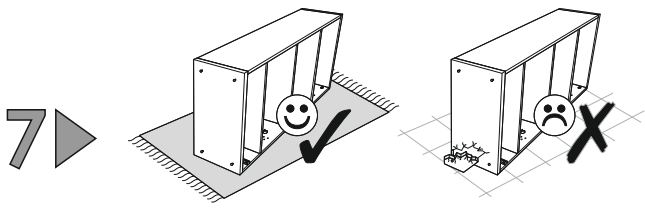


<b>1</b>	650	550	22 x2	1/2
<b>2</b>	650	400	22 x1	1/2
<b>3</b>	900	499	22 x1	1/2
<b>4</b>	898	80	16 x2	1/2
<b>5</b>	400	100	28 x2	1/2
<b>6</b>	469	410	16 x1	1/2
<b>7</b>	345	190	28 x2	1/2
<b>8</b>	345	190	28 x2	1/2

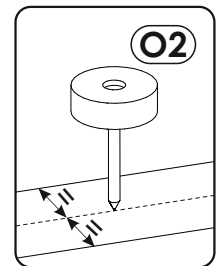
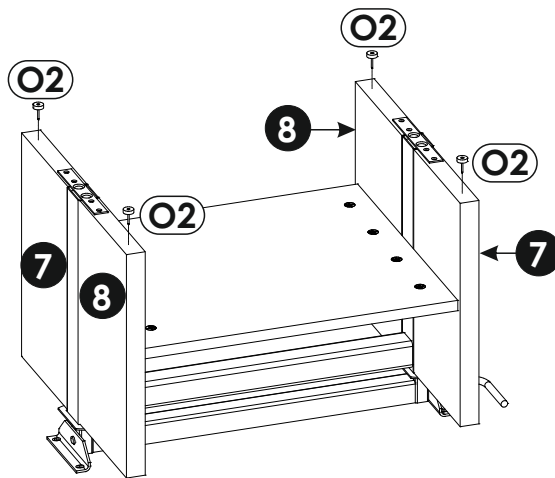
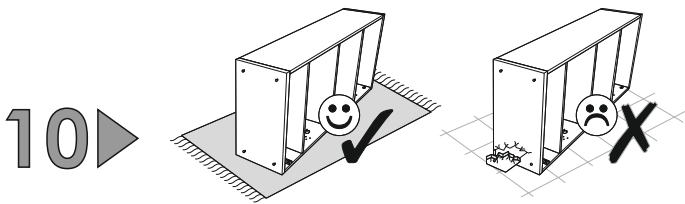
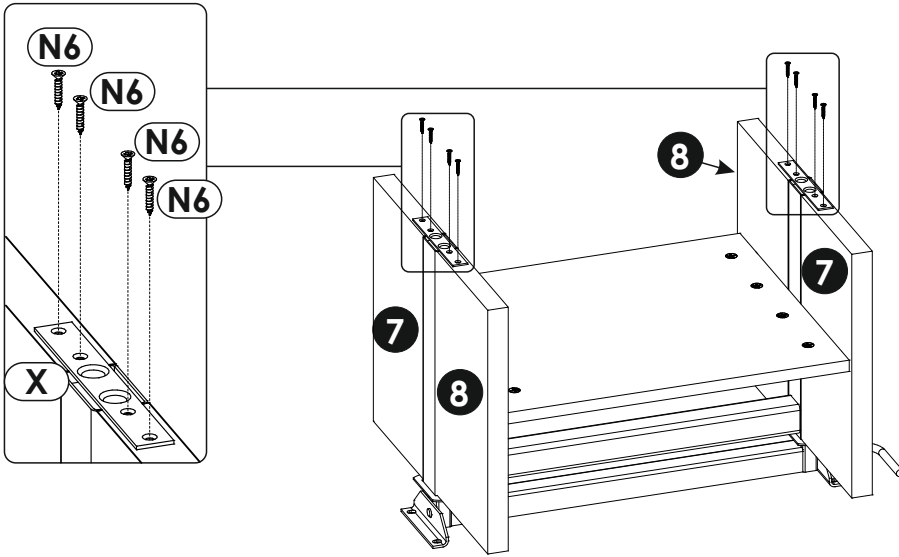
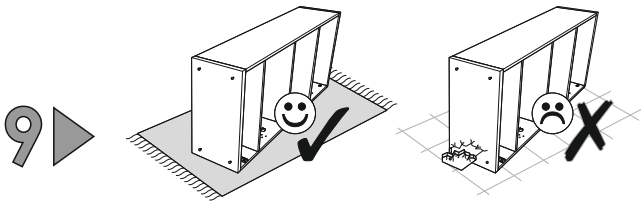




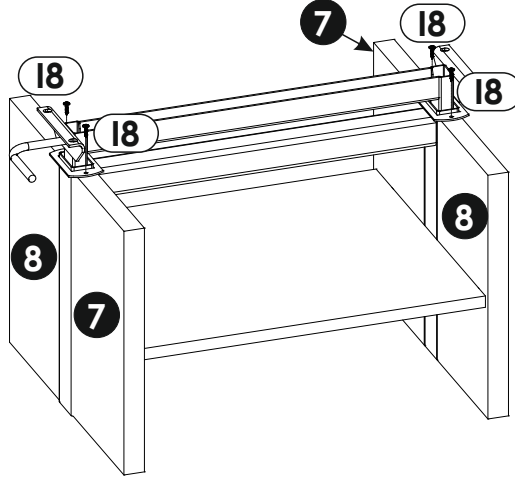
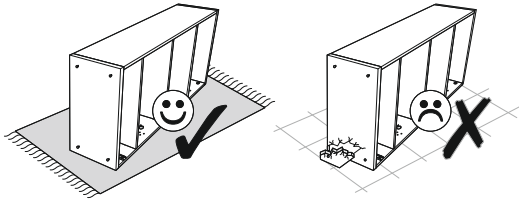




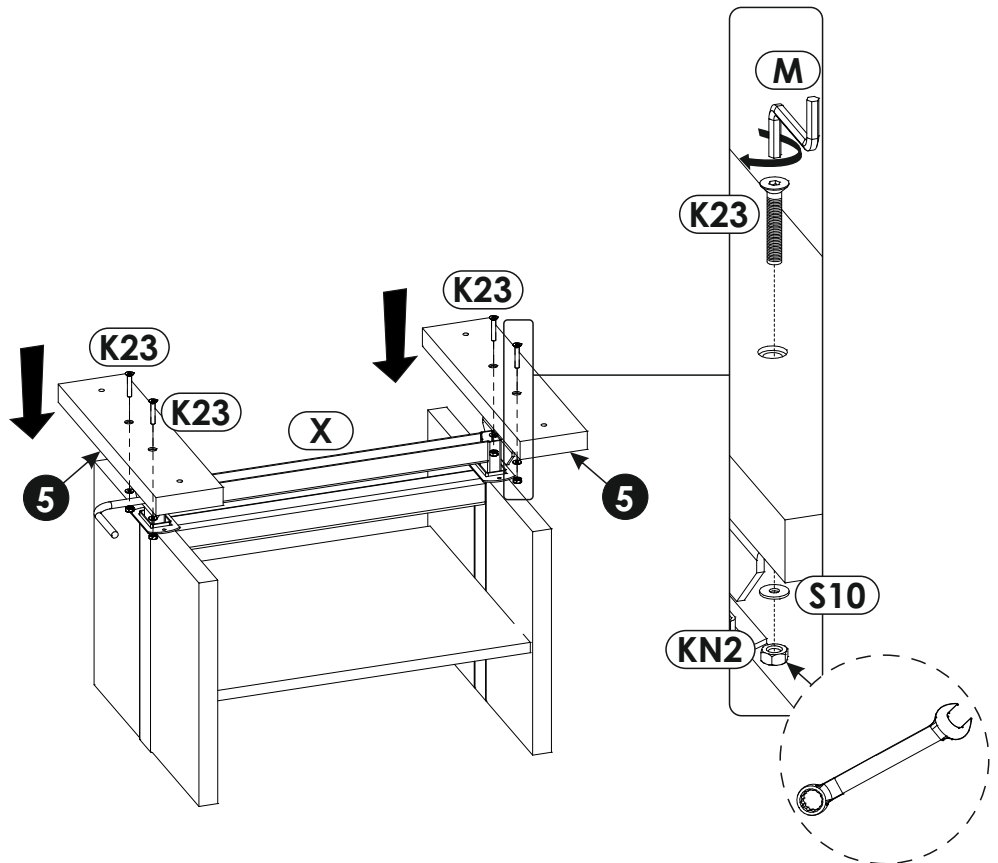




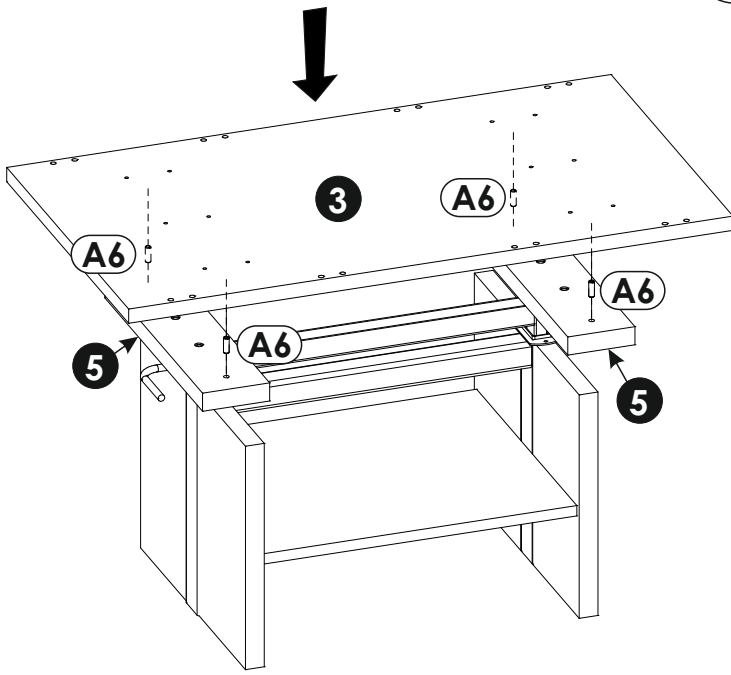
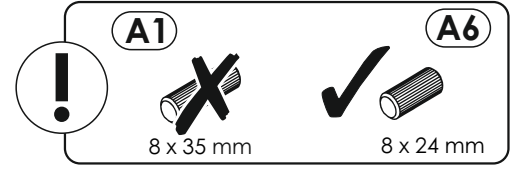
11 ▶



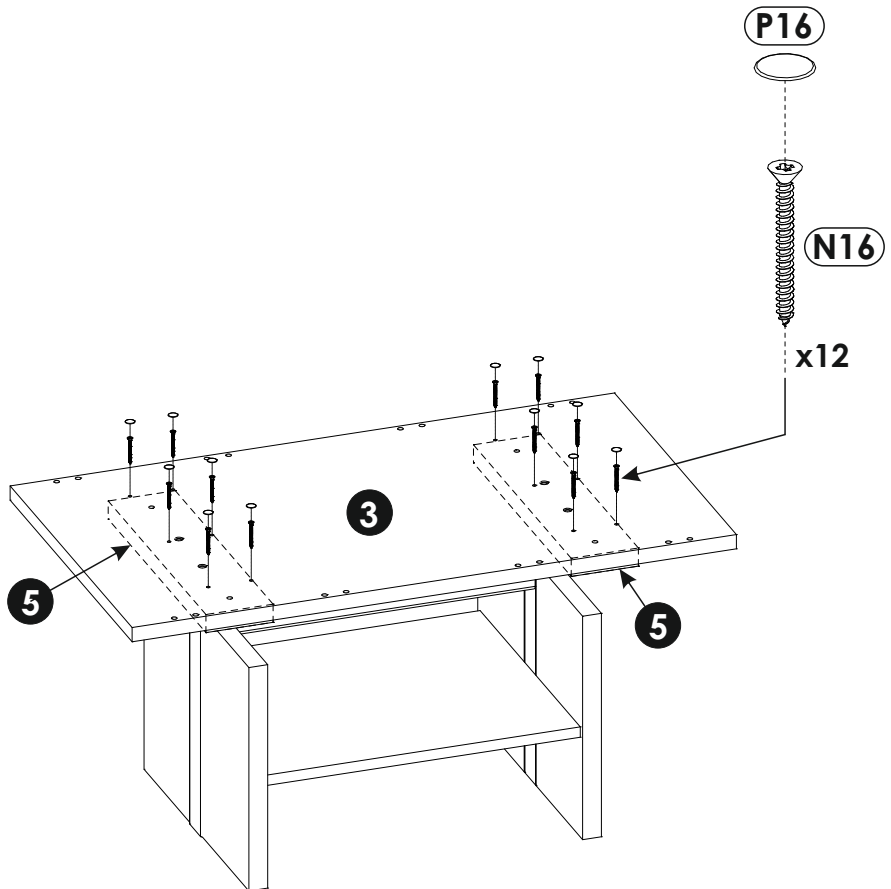
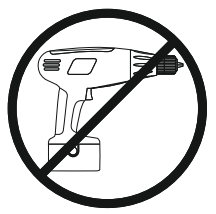
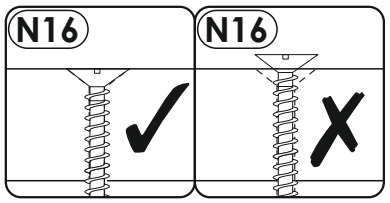
12 ▶



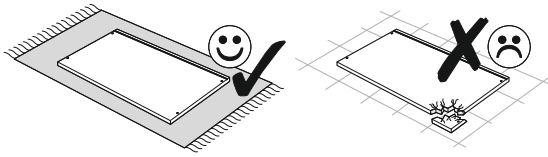
# 13 ▶



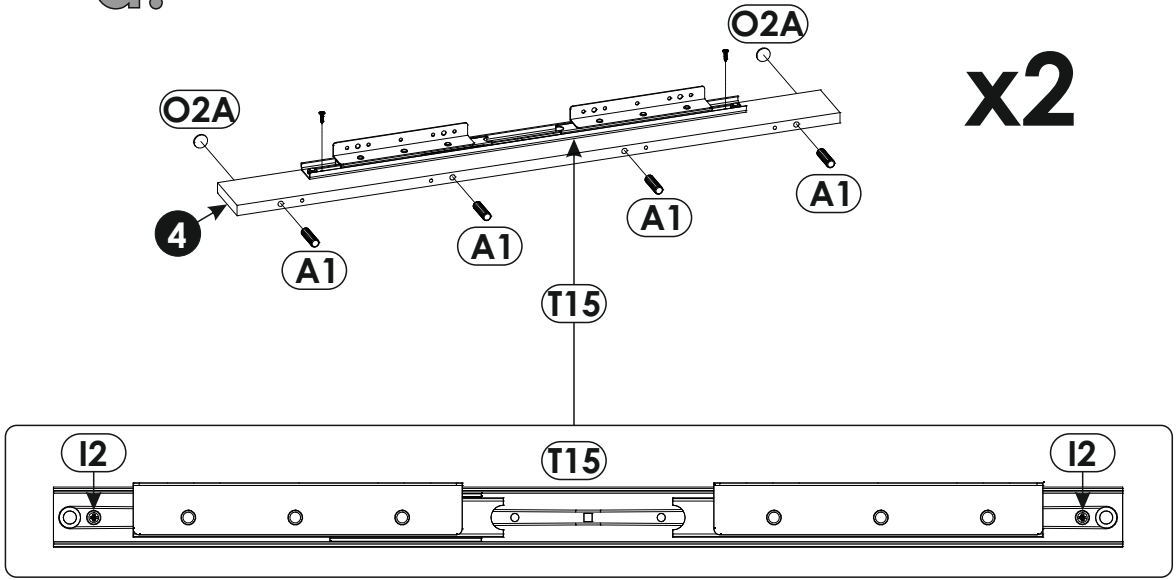
# 14 ▶



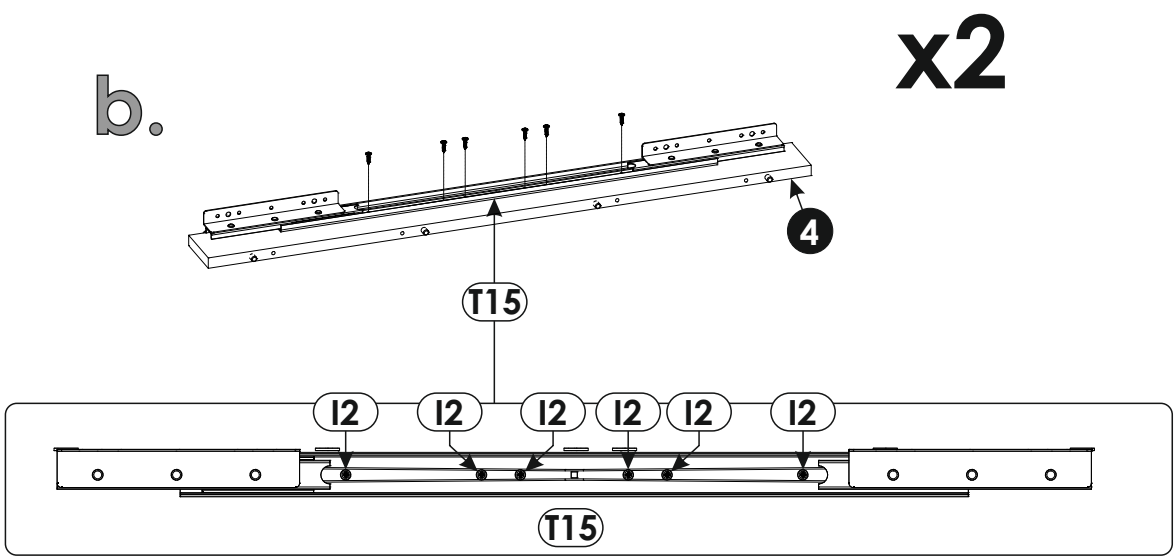
15▶



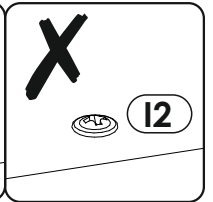
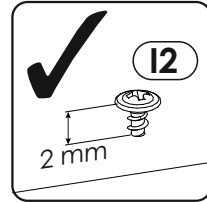
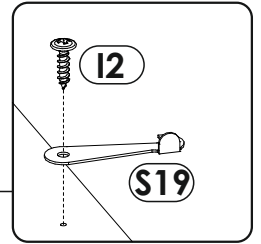
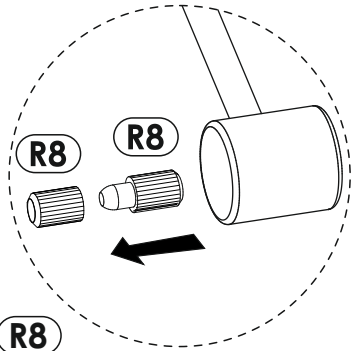
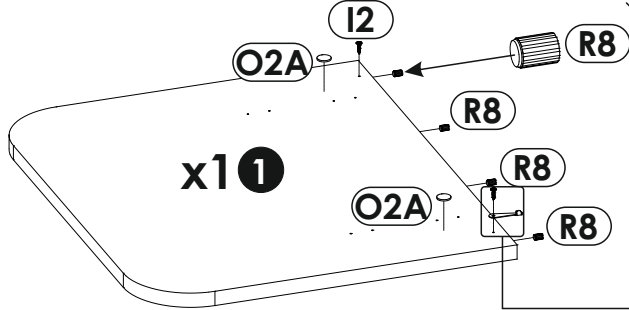
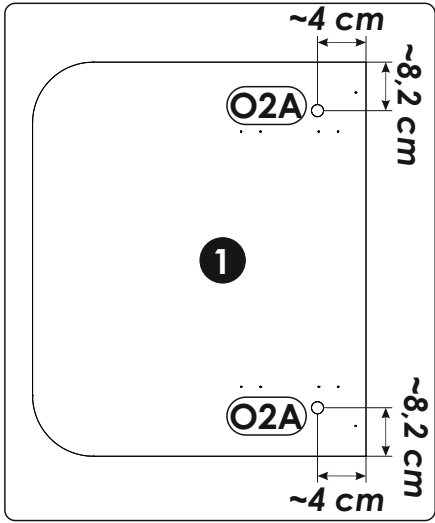
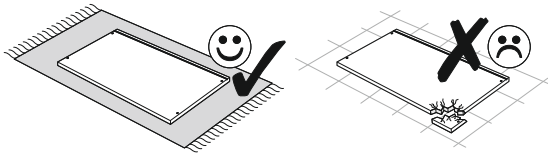
a.



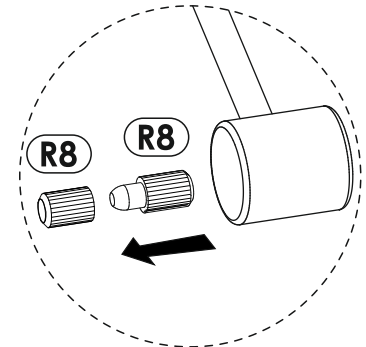
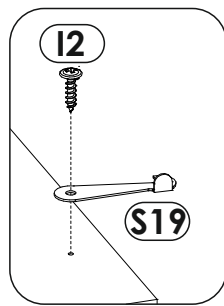
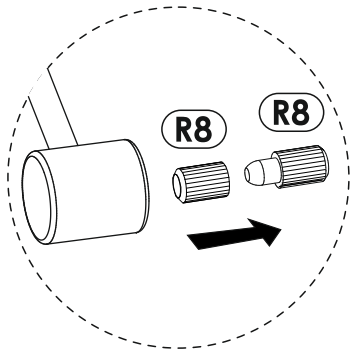
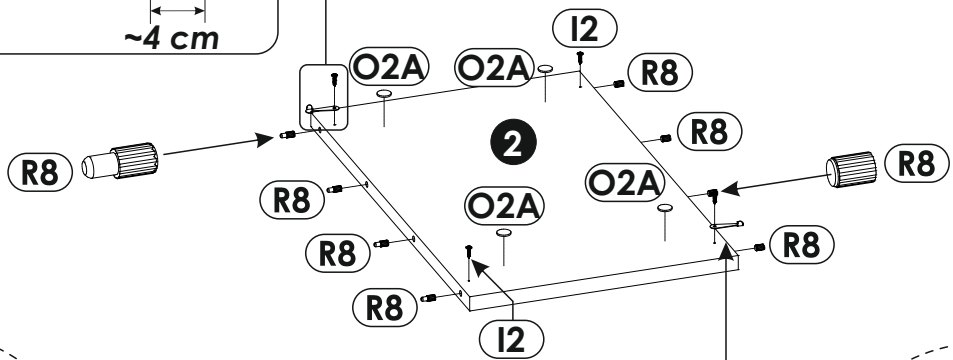
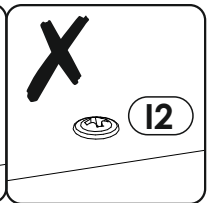
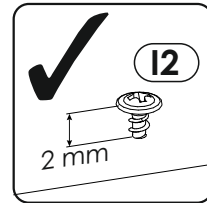
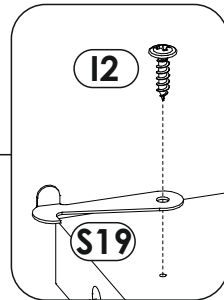
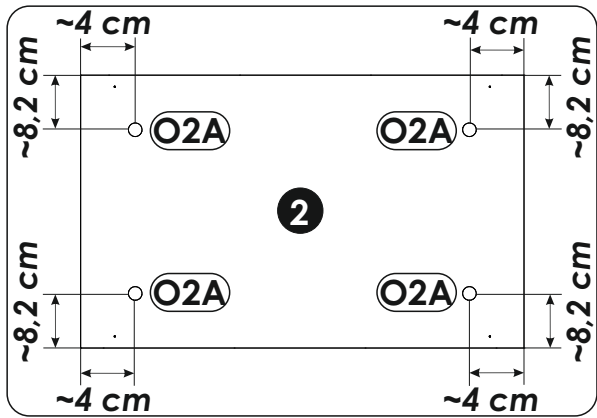
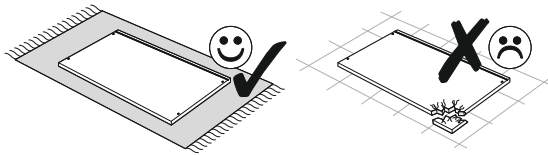
b.



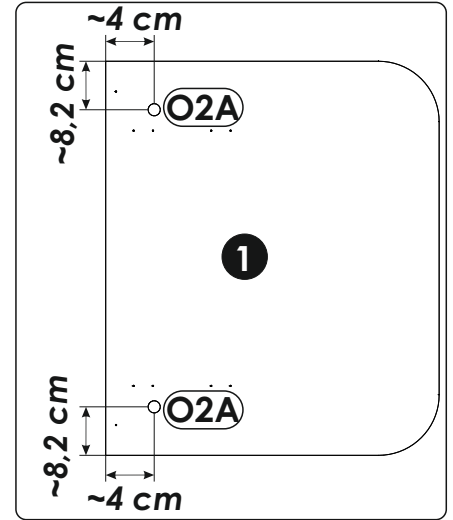
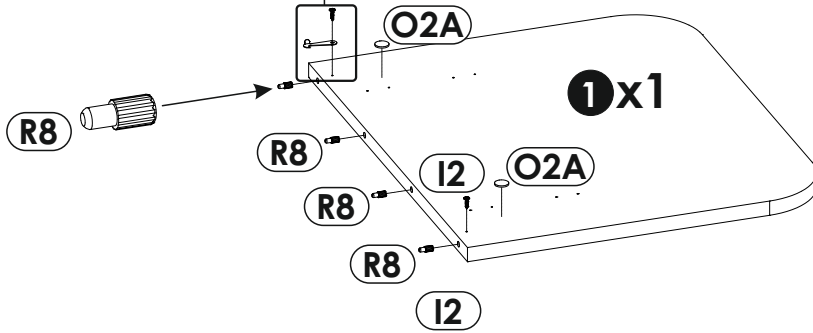
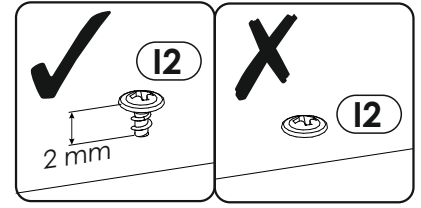
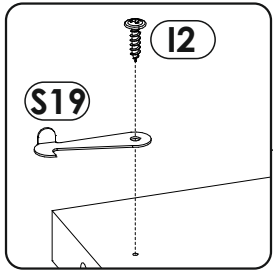
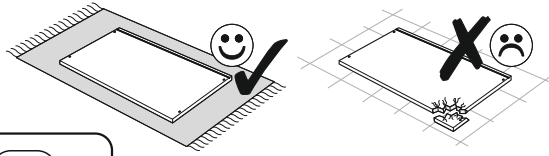
16▶



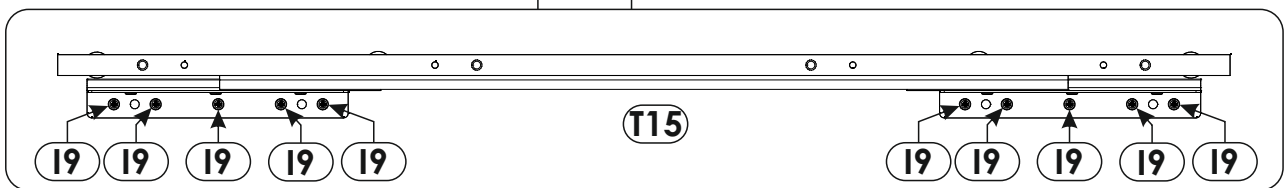
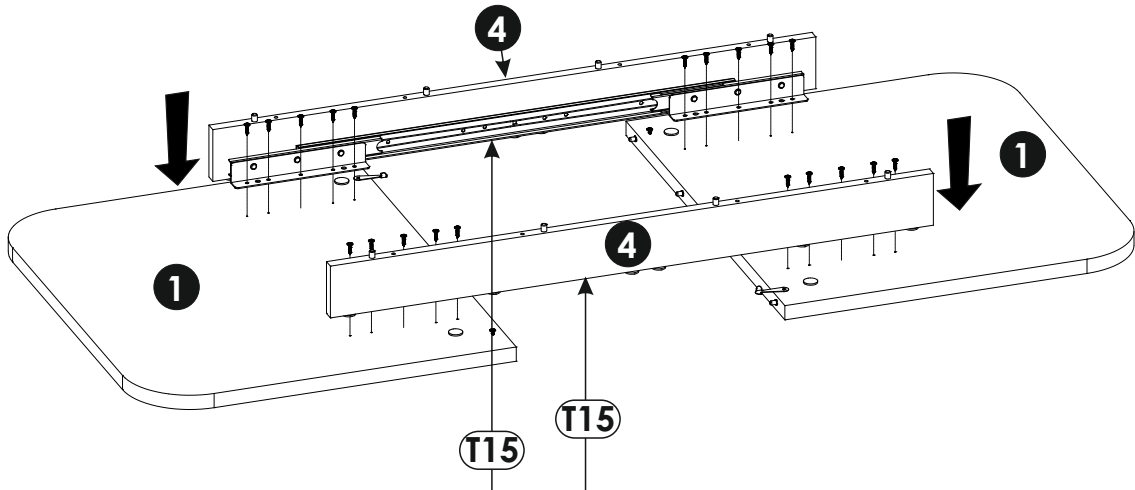
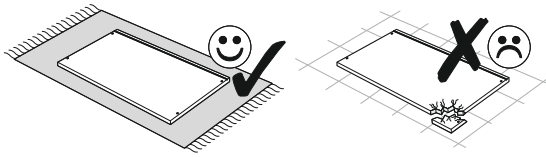
17▶



18 ▶



19 ▶



20 ▶

