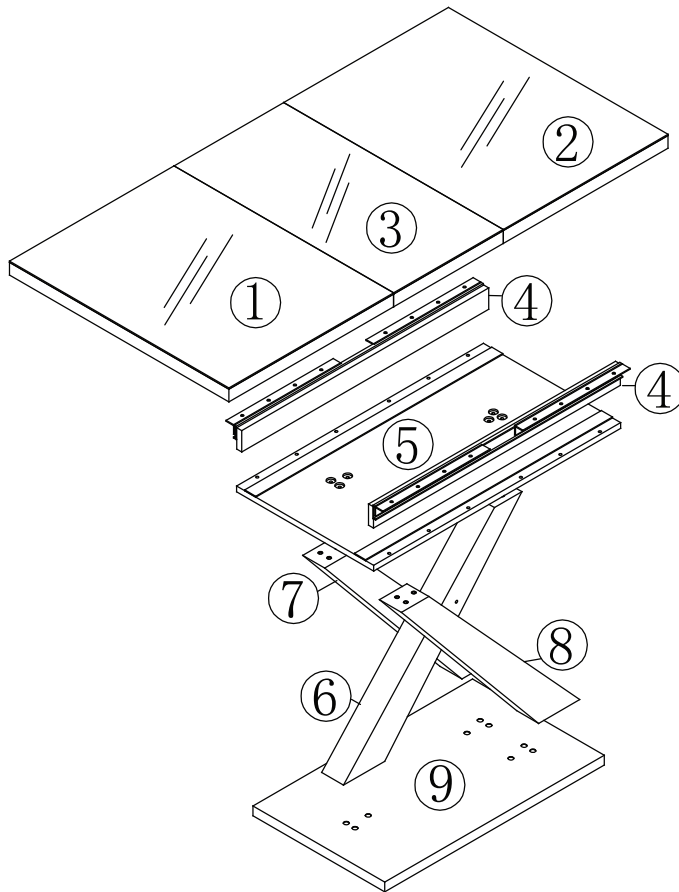
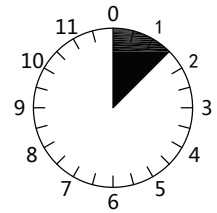
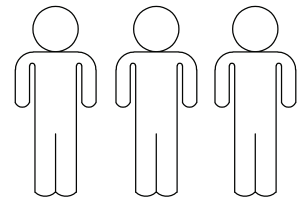
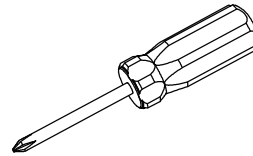
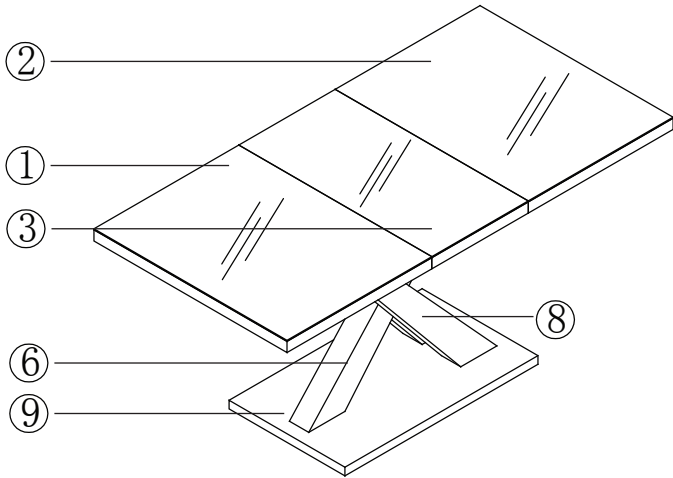
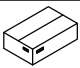
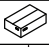


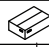

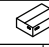
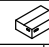
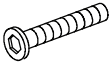
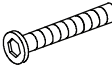


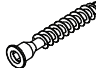
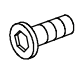


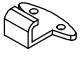

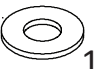
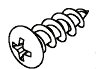
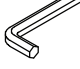
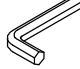
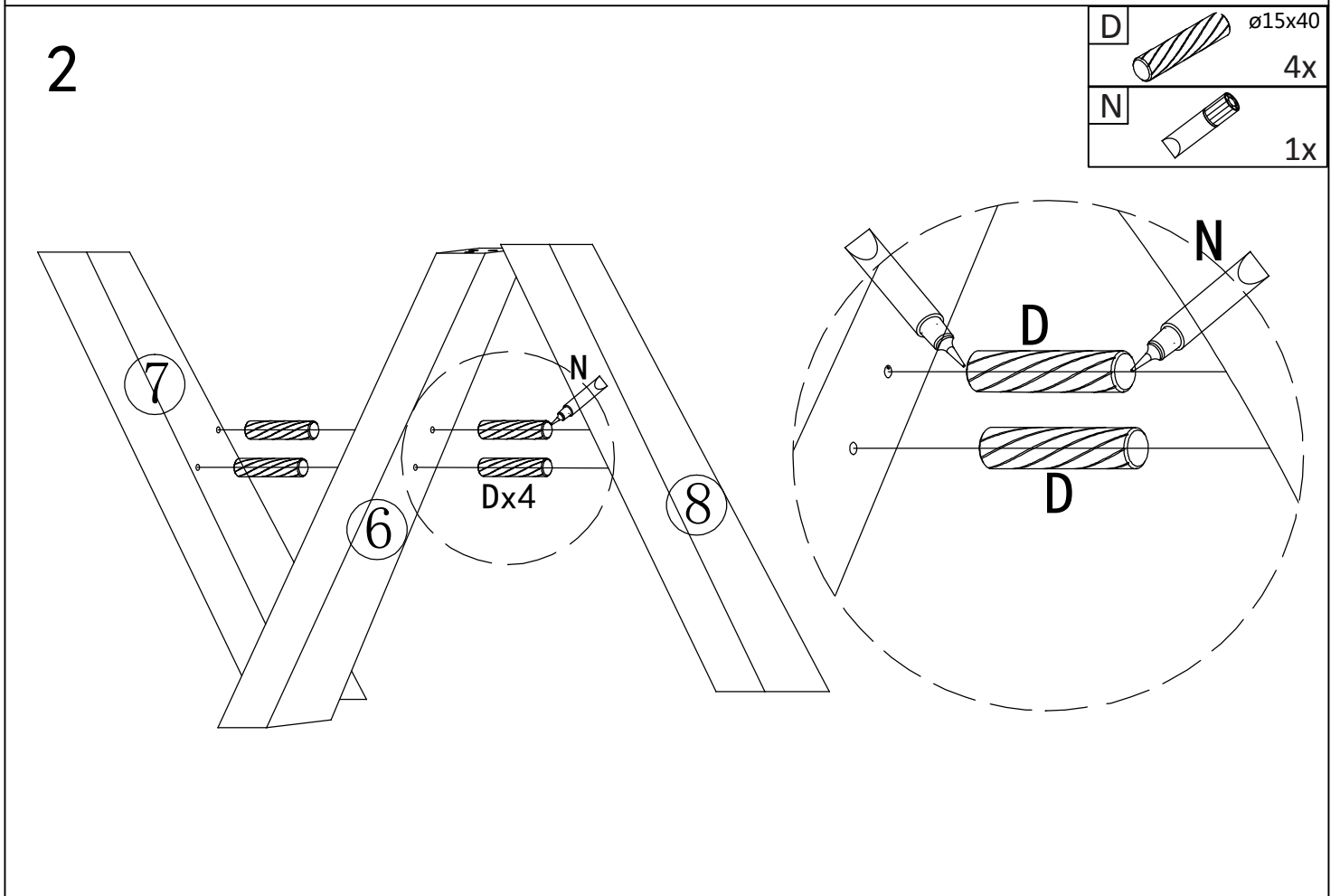
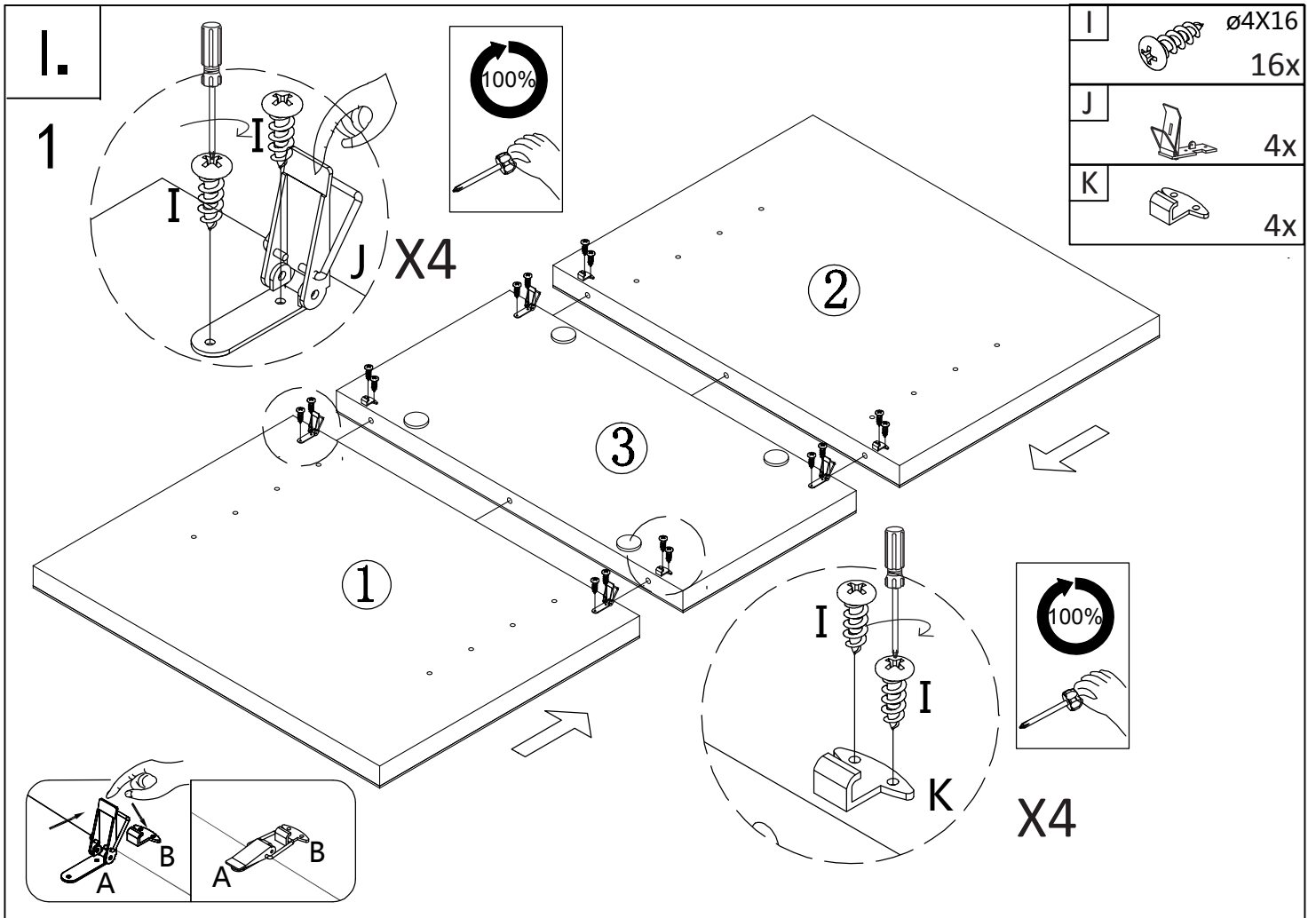


ELVIRA



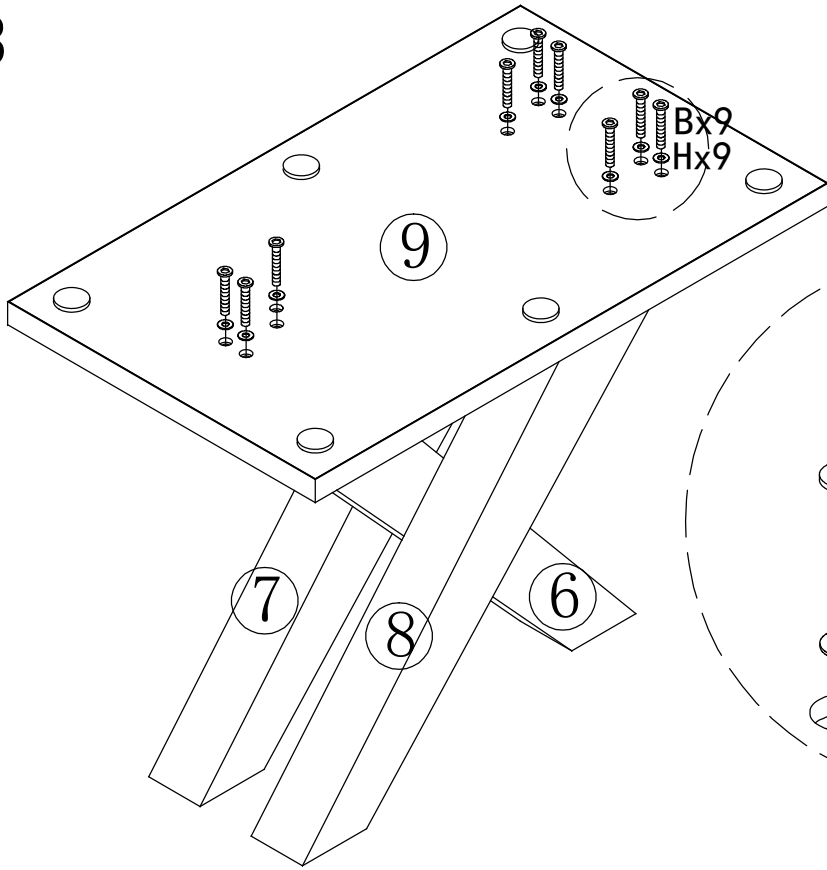
| | |  |
|---|----|---|
| 1 | 1x | 1/2 |
| 2 | 1x | 1/2 |
| 3 | 1x | 1/2 |
| 4 | 2x | 2/2 |
| 5 | 1x | 2/2 |
| 6 | 1x | 2/2 |
| 7 | 1x | 2/2 |
| 8 | 1x | 2/2 |
| 9 | 1x | 2/2 |

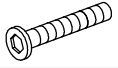

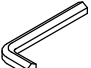
| | | | | | | | | | | | | | | | | |
|---|------------|---|-------|---|---|---|--------|--|-------|---|-------|---|------------|---|---|----|
|  | 1/2 |  | 1/2 |  | 1/2 |  | 1/2 |  | 1/2 |  | 1/2 |  | 1/2 | | | |
| A | M8x35 | B | M8x40 | C | ø8x30 | D | ø15x40 | E | M7x48 | F | M6x15 | G | ø6.5xø16x1 | | | |
|  | 9x |  | 9x |  | 4x |  | 4x |  | 8x |  | 16x |  | 16x | | | |
| H | ø8.5xø22x2 | I | ø4x16 | J |  | 4x | K |  | 4x | L | M4 | M | M5 | N |  | 1x |
|  | 18x |  | 16x | | | | |  | 1x |  | 1x | | | | | |

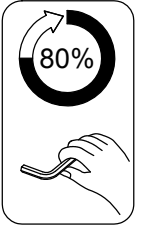
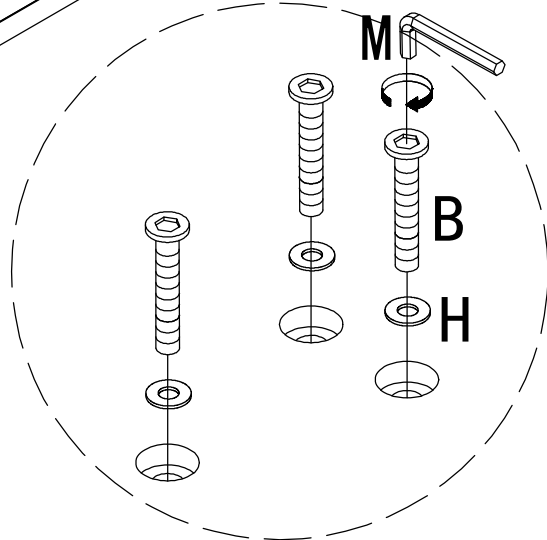


II.

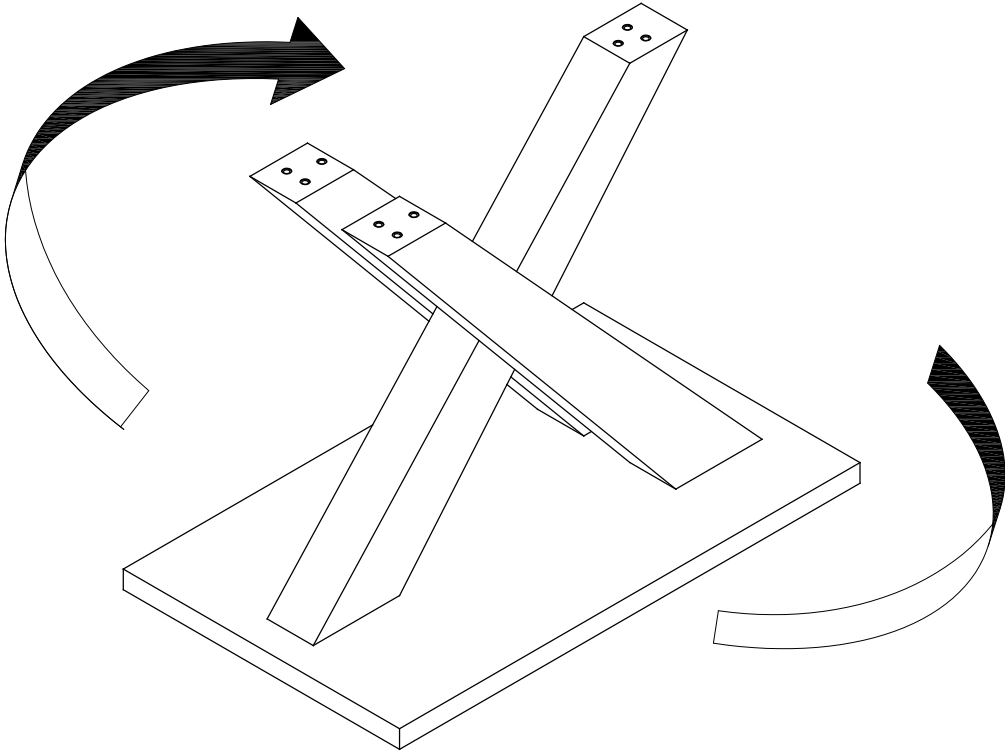
3



| | | |
|---|---|-----------|
| B |  | M8x40 |
| | | 9x |
| H |  | ø8.5x22x2 |
| | | 9x |
| M |  | M5 |
| | | 1x |

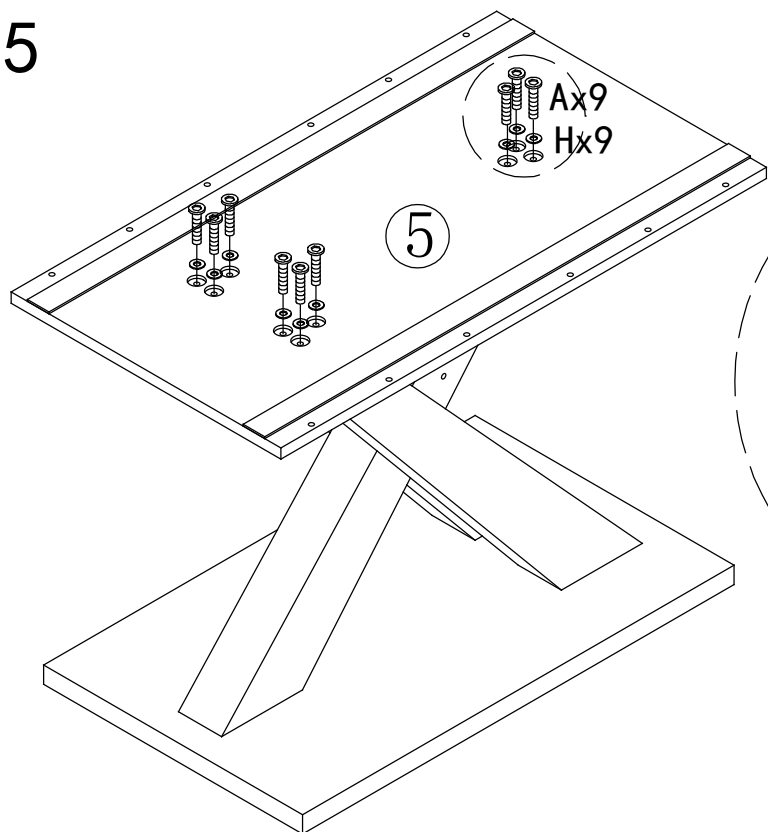


4



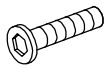

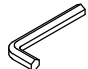
III.

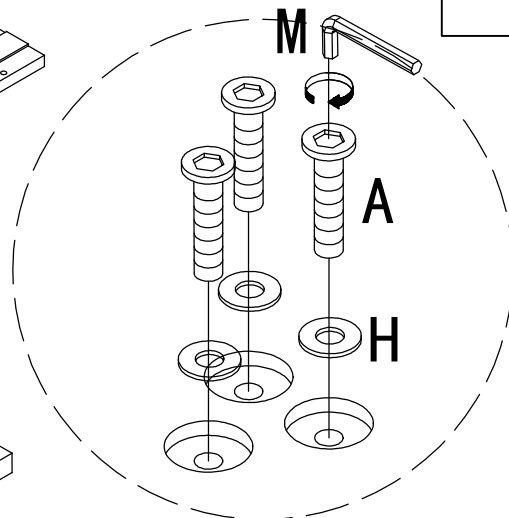
5



Ax9
Hx9

5

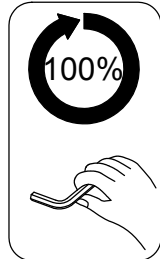
| | | |
|---|---|---------------|
| A |  | M8x35 |
| | | 9x |
| H |  | ø 8.5x ø 22x2 |
| | | 9x |
| M |  | M5 |
| | | 1x |



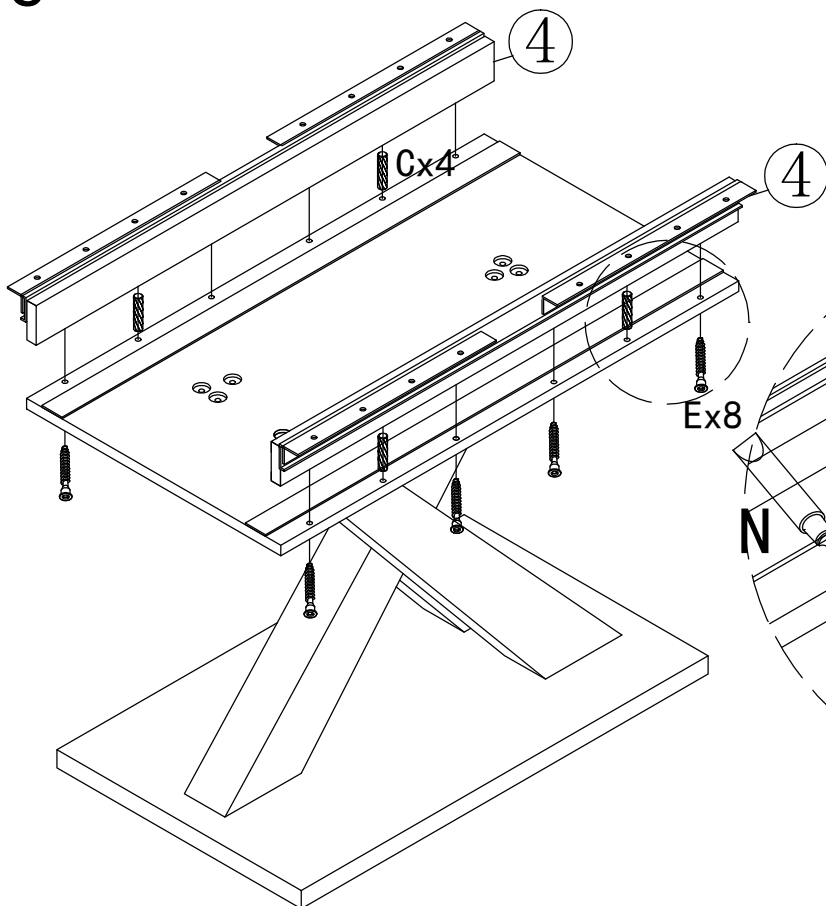
M

A

H



6


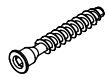
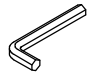



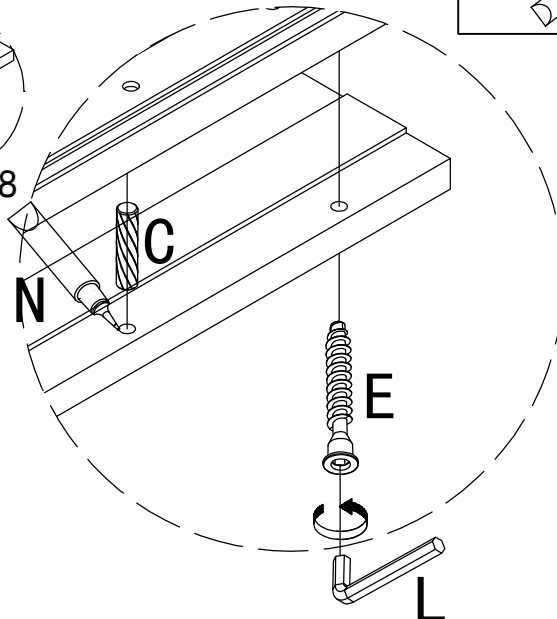
4

Cx4

4

Ex8

| | | |
|---|---|-------|
| C |  | ø8x30 |
| | | 4x |
| E |  | M7x48 |
| | | 8x |
| L |  | M4 |
| | | 1x |
| N |  | |
| | | 1x |



N

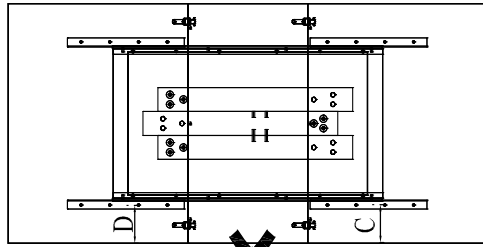
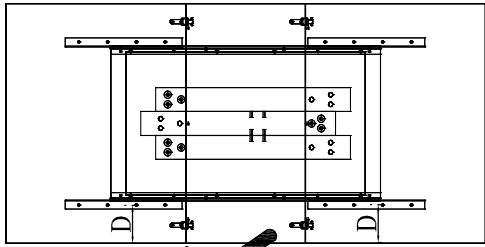
C



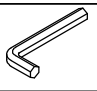
E

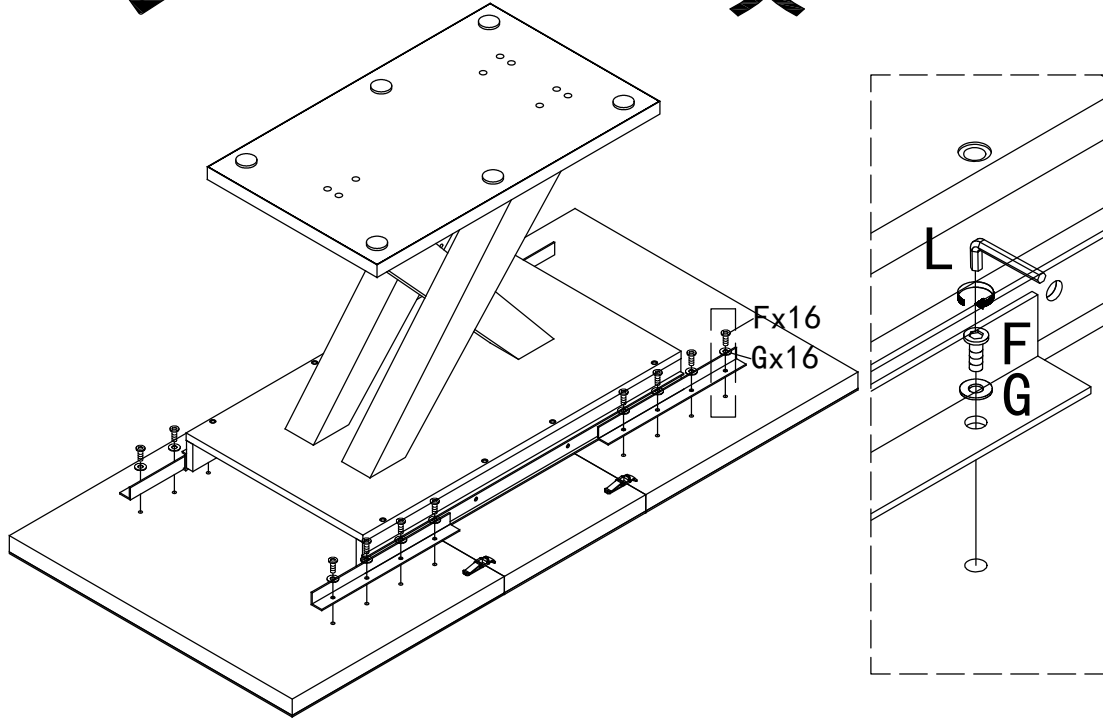
L

IV.

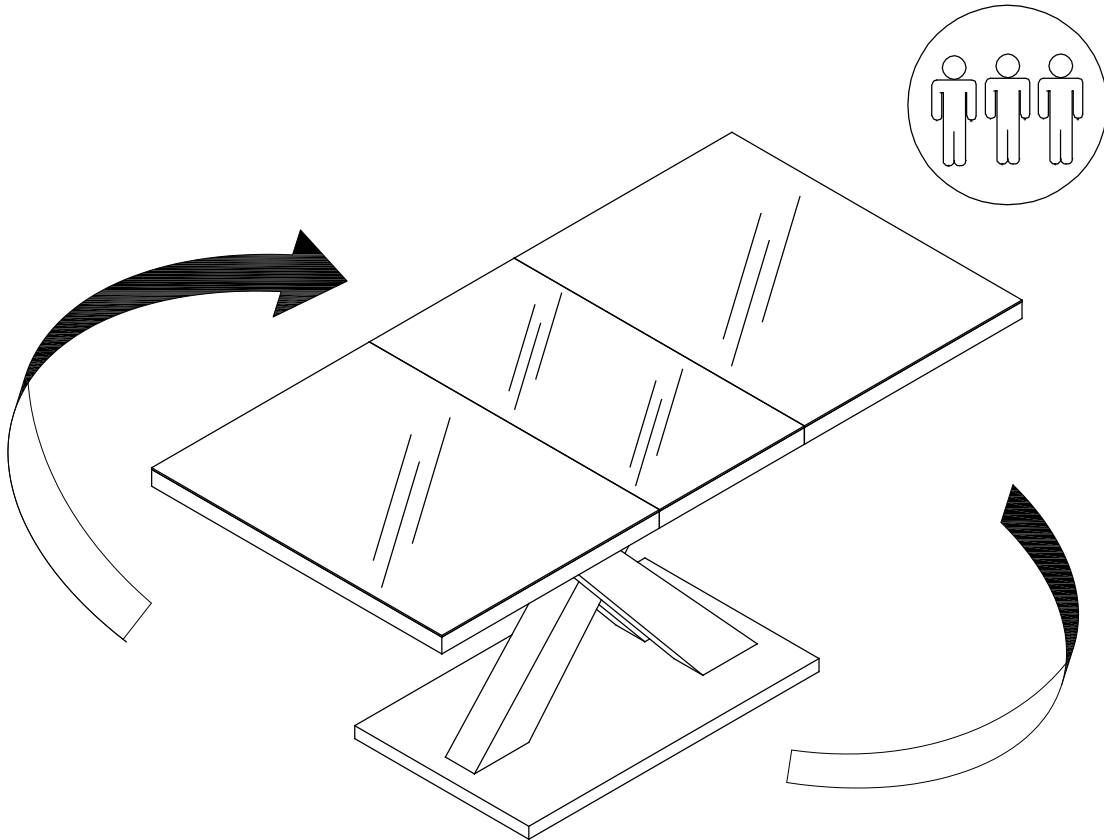
7



| | | |
|---|---|-------------|
| F |  | M6x15 |
| | | 16x |
| G |  | ø 6.5xø16x1 |
| | | 16x |
| L |  | M4 |
| | | 1x |

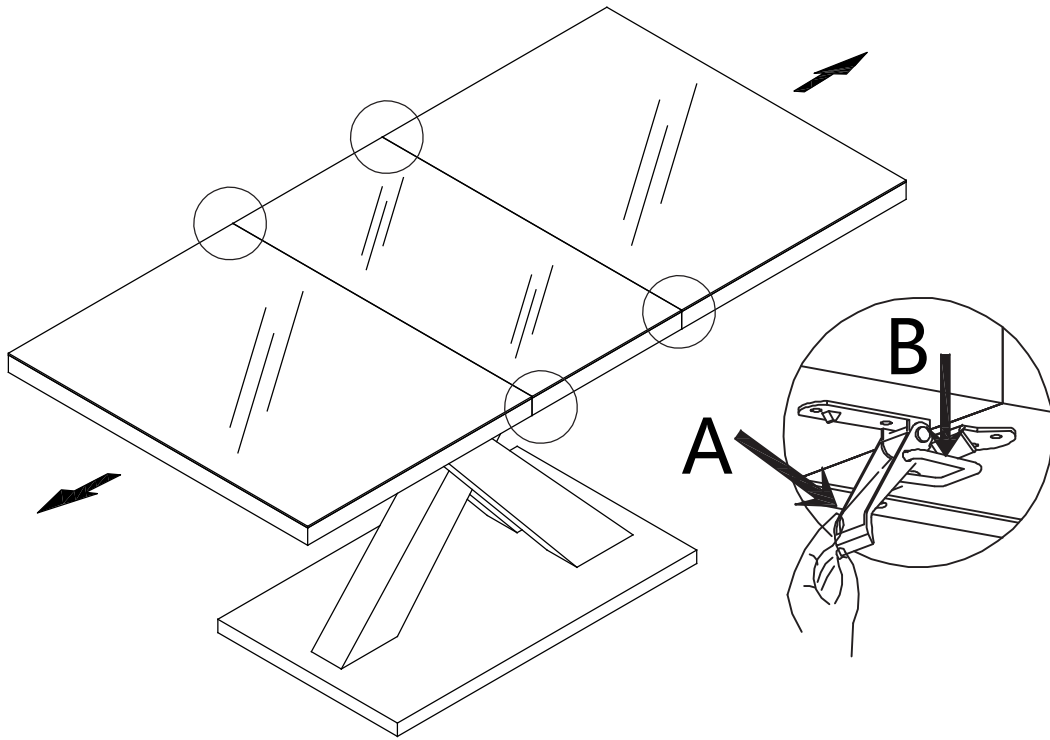


8

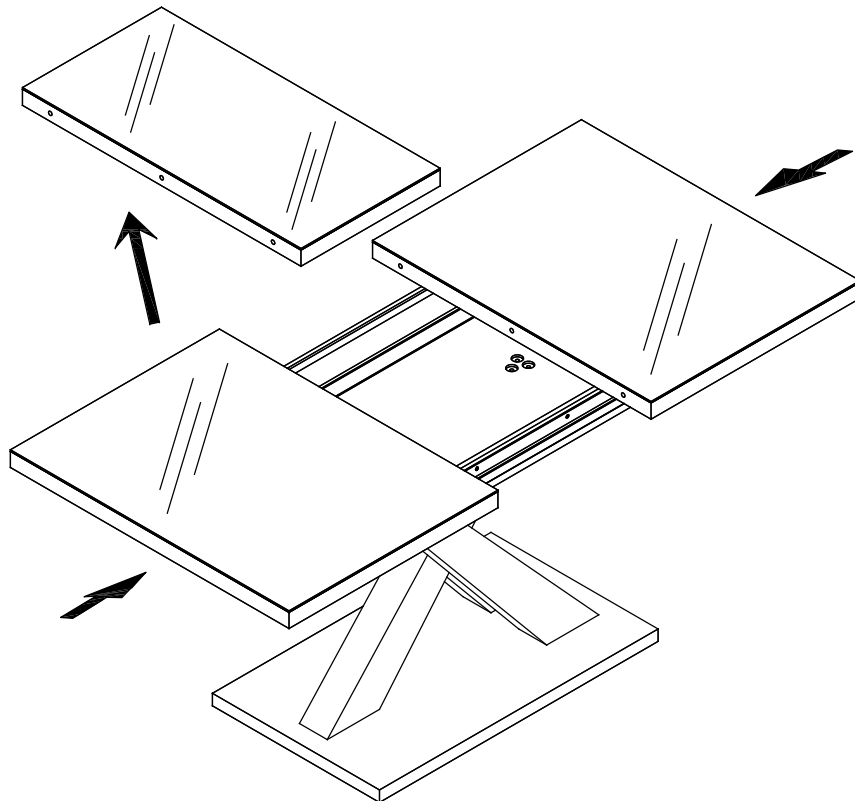


V.

9

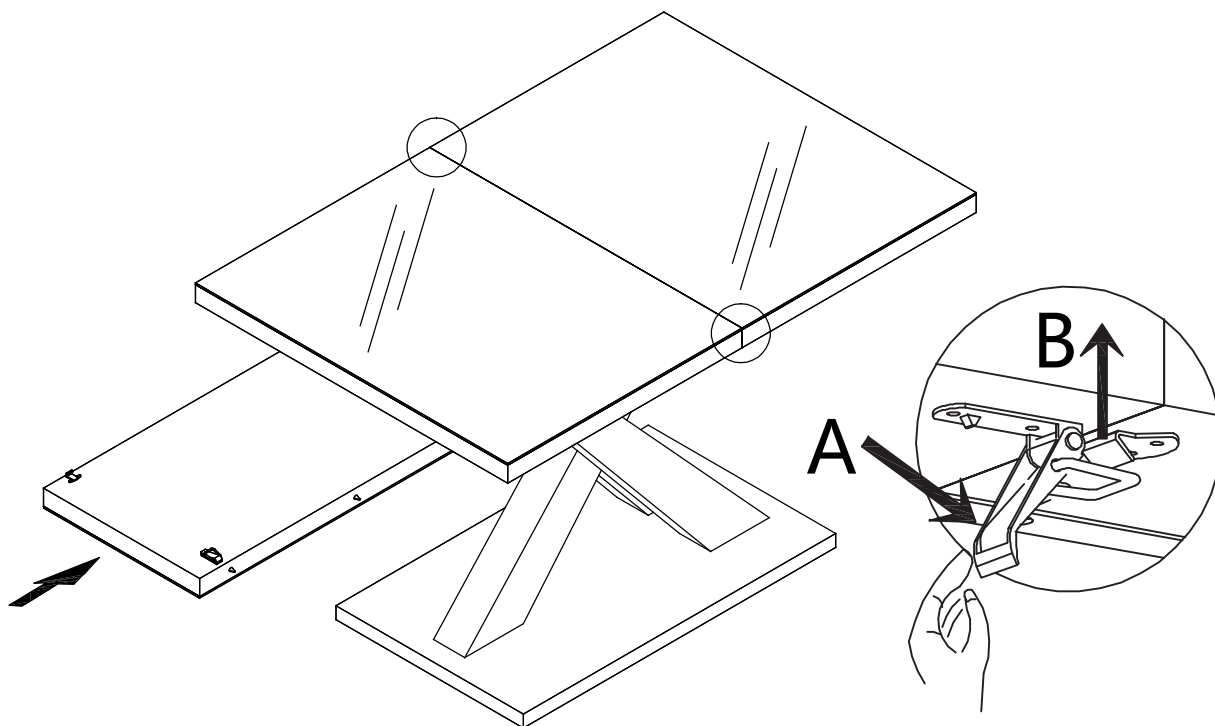


10



VI.

11



12

