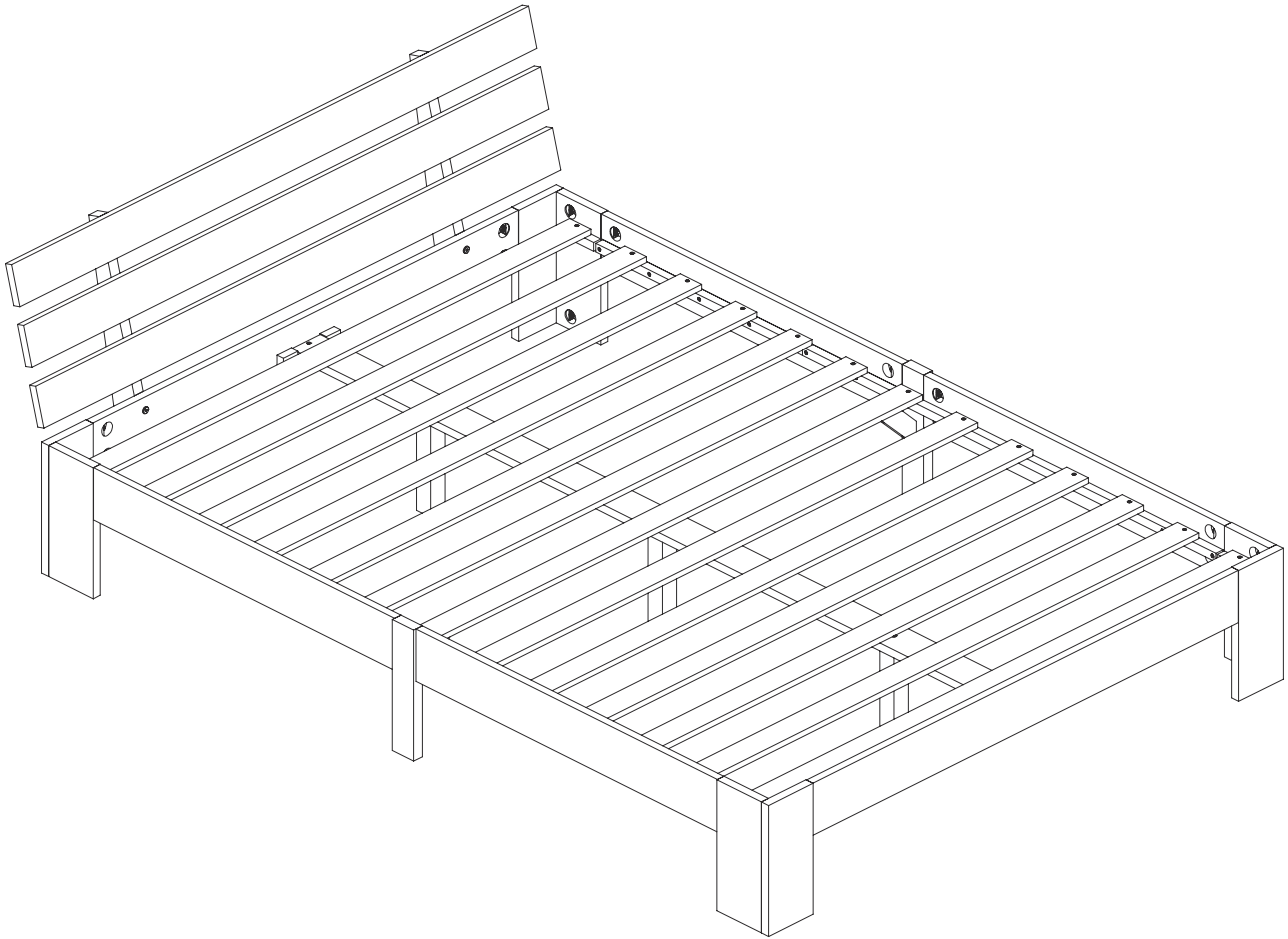




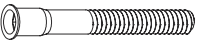
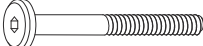


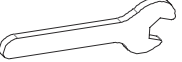




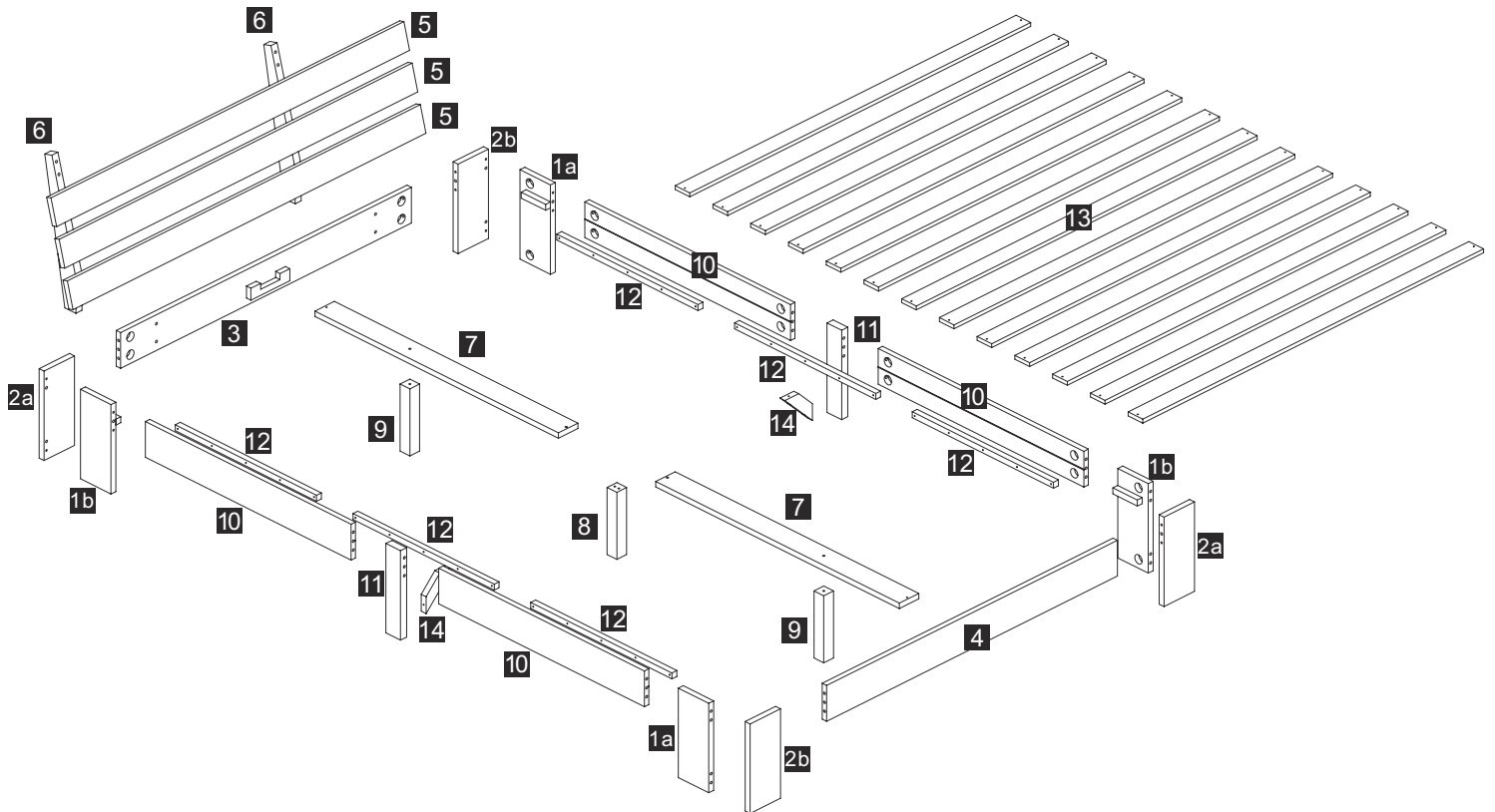
WF188743WAA



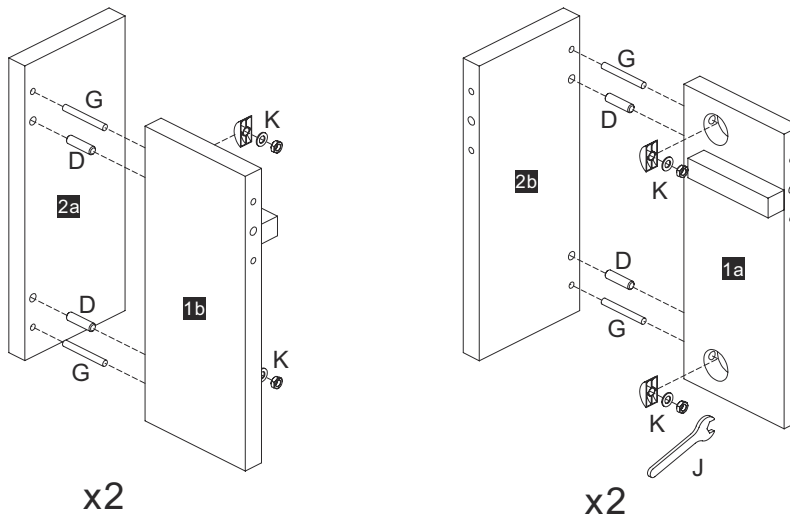
<p>Ax62  $\Phi 4 \times 30$</p>	<p>Bx12  M6x42</p>	<p>Cx2 </p>	<p>Dx20  $\Phi 8 \times 30$</p>
<p>Ex4  $\Phi 7 \times 60$</p>	<p>Fx4  M6x62</p>	<p>Gx24  M6x52</p>	<p>Hx4  M6x140</p>
<p>Jx1 </p>	<p>Kx32 </p>	<p>Lx4 </p>	






1a x2		1b x2		2a x2		2b x2	
3 x1		4 x1		5 x3		6 x2	
7 x2		8 x1		9 x2		10 x4	
11 x2		12 x6		13 x13		14 x2	

Stückliste

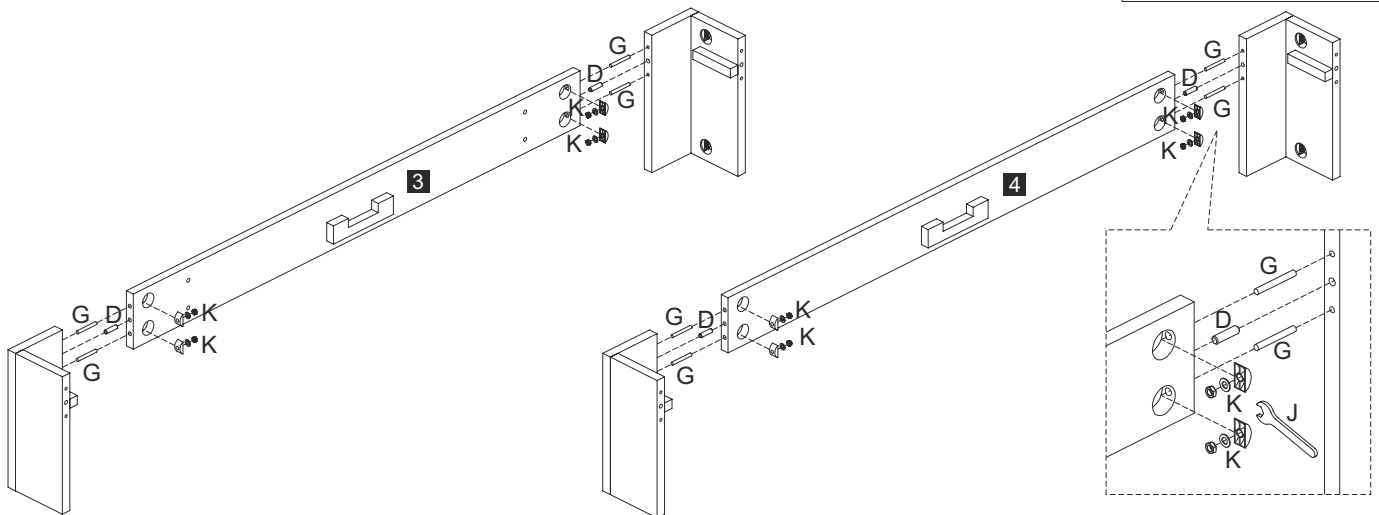







Schritt 1



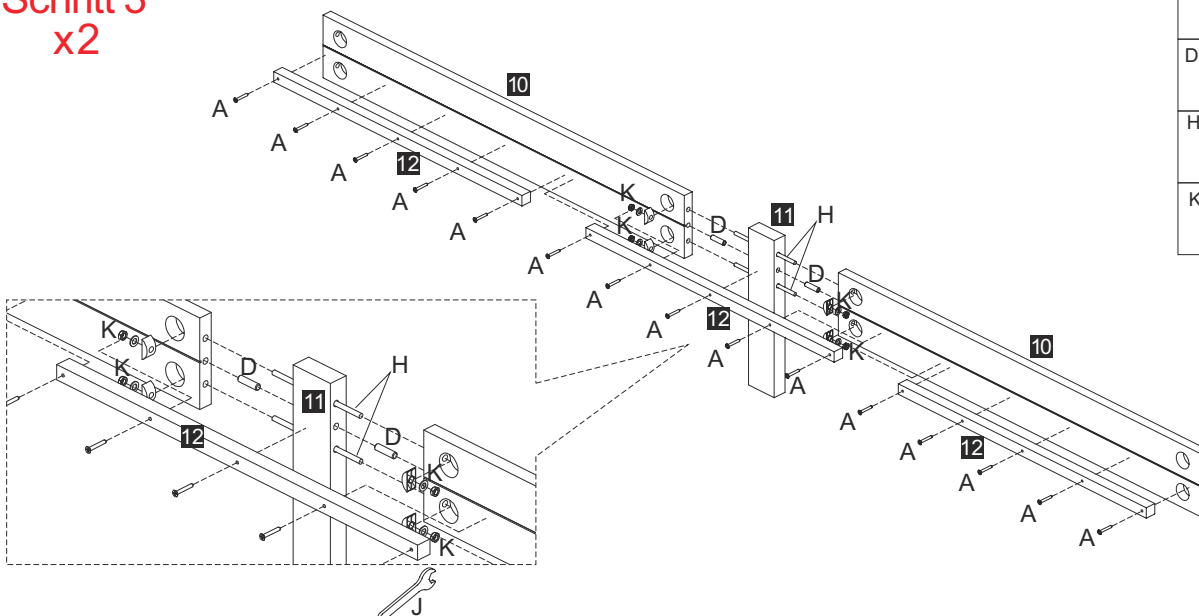
Dx8	 $\Phi 8 \times 30$
Gx8	 M6x52
Kx8	  







Schritt 2




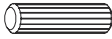

Kx8	  
Dx4	 $\Phi 8 \times 30$
Gx8	 M6x52

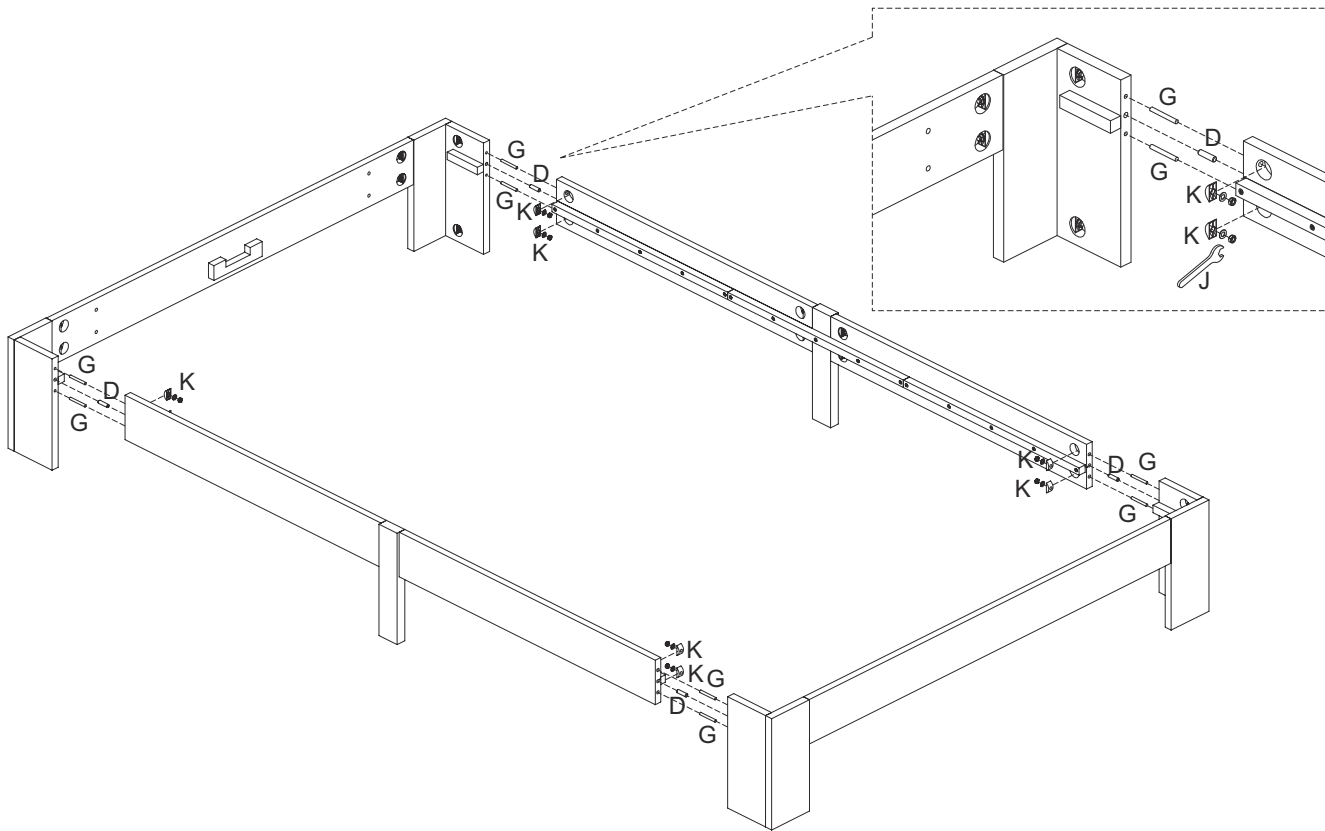
Schritt 3 x2



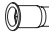

Ax30	 $\Phi 4 \times 30$
Dx4	 $\Phi 8 \times 30$
Hx4	 M6x140
Kx8	  

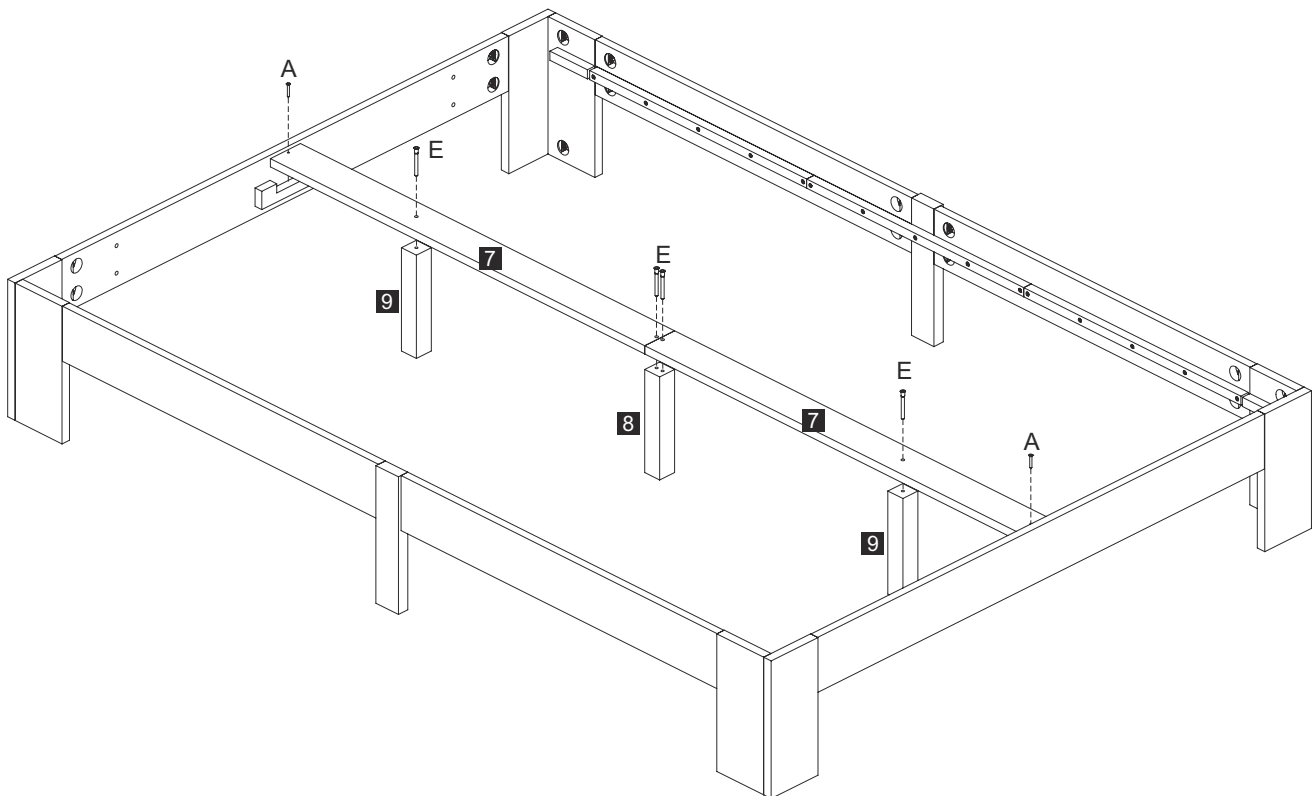
Schritt 4

Kx8		Dx4		$\Phi 8 \times 30$
Gx8				M6x52

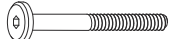
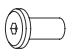


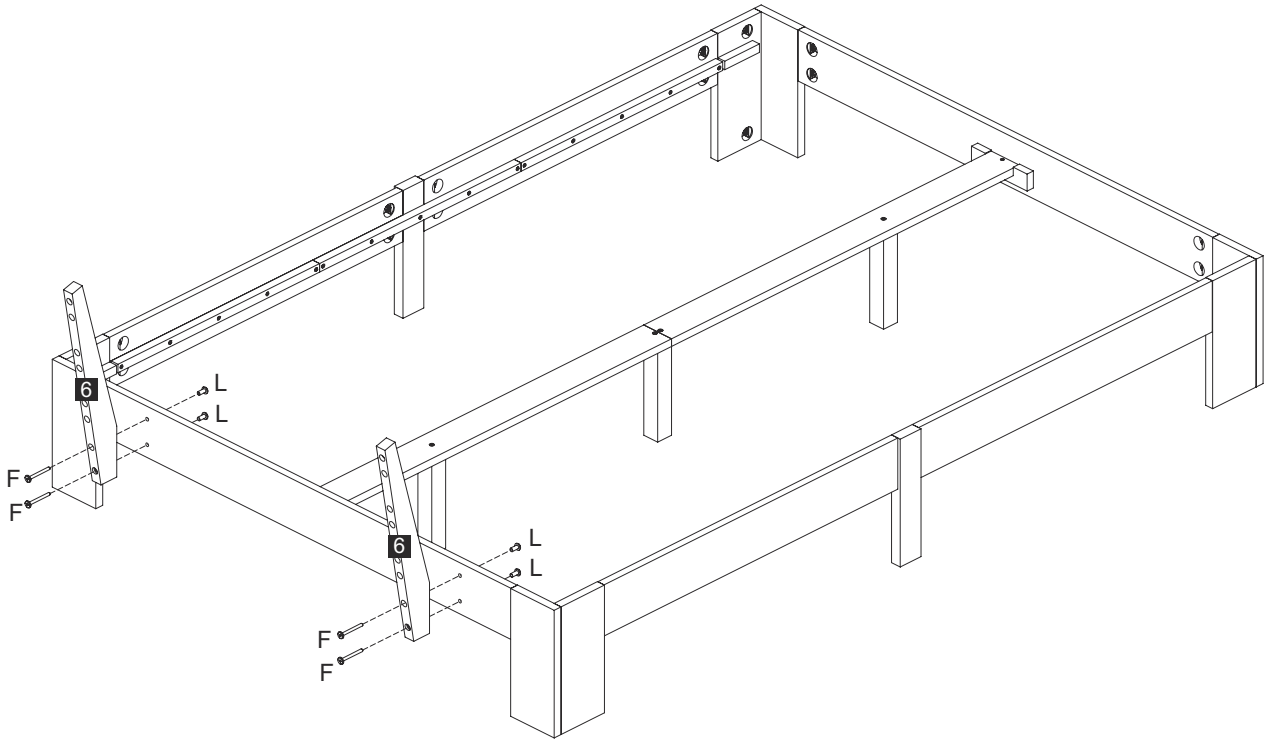
Schritt 5

Ex4		$\Phi 7 \times 60$
Ax2		$\Phi 4 \times 30$




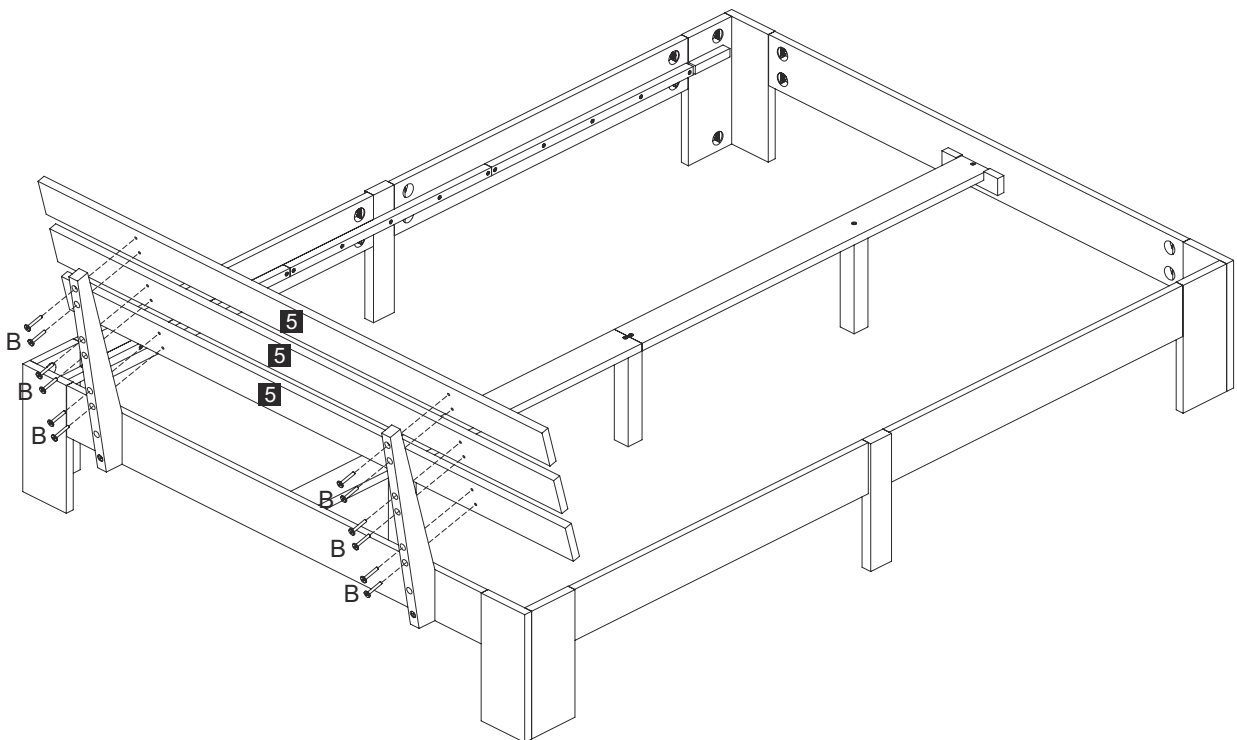
Schritt 6

Fx4		M6x62
Lx4		

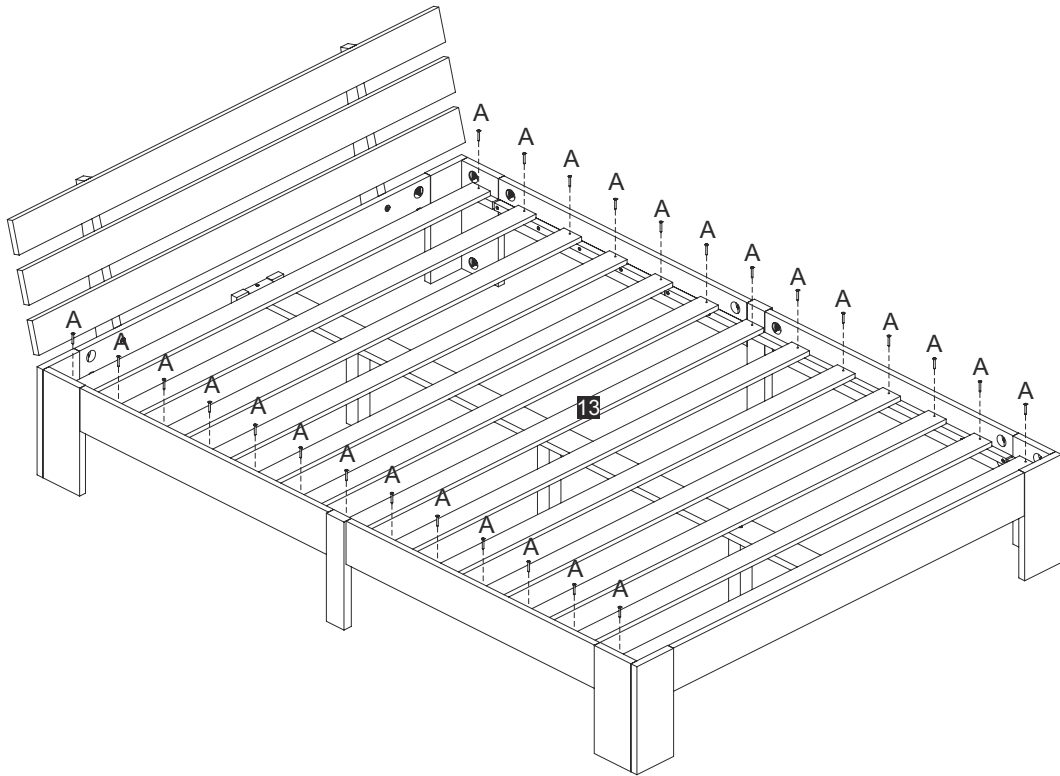
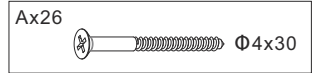


Schritt 7

Bx12		M6x42
------	---	-------



Schritt 8



Schritt 9

