

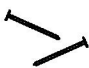
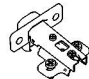



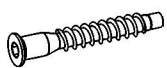
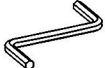

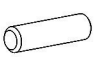

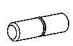
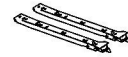



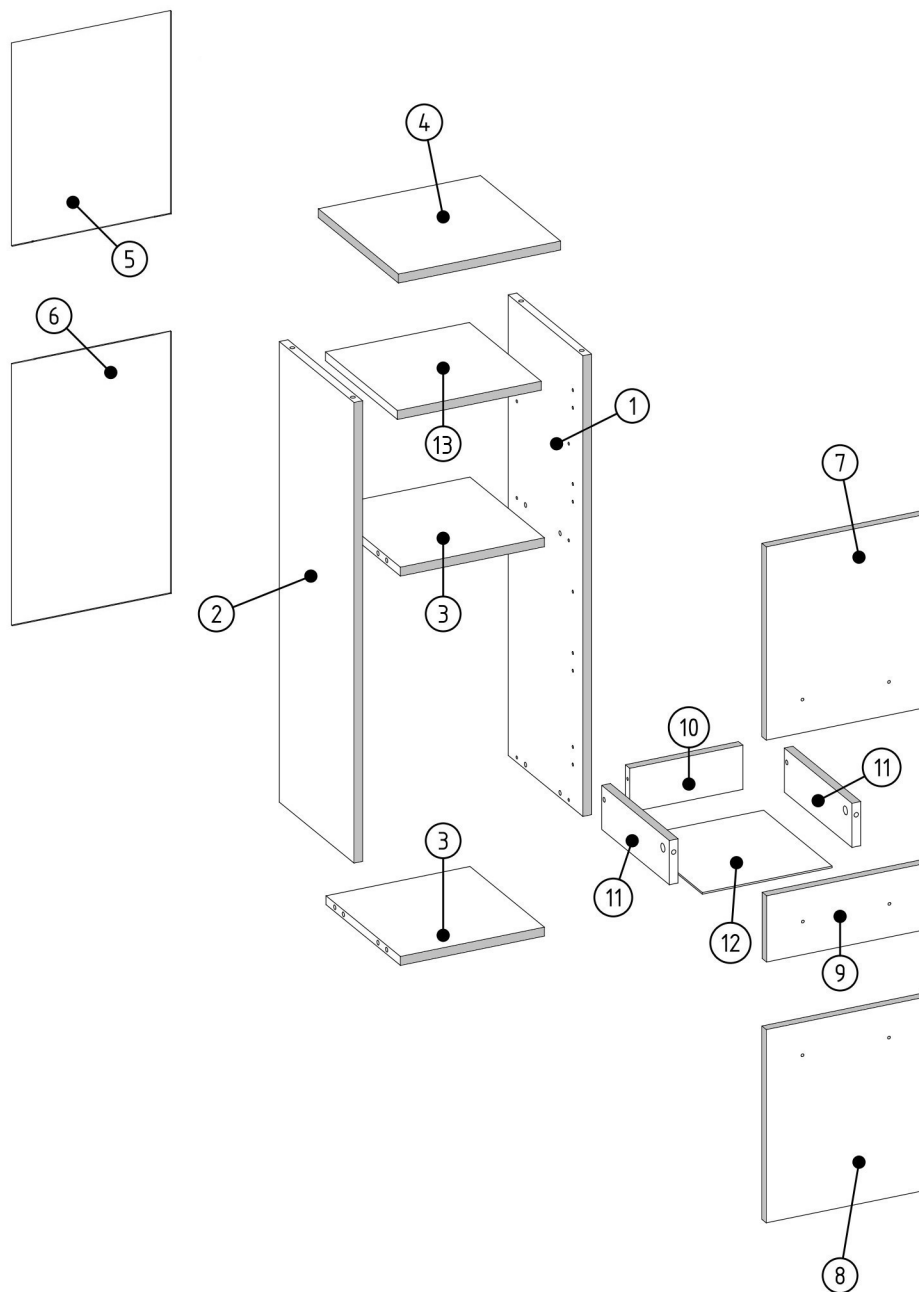




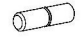




V15

 x5

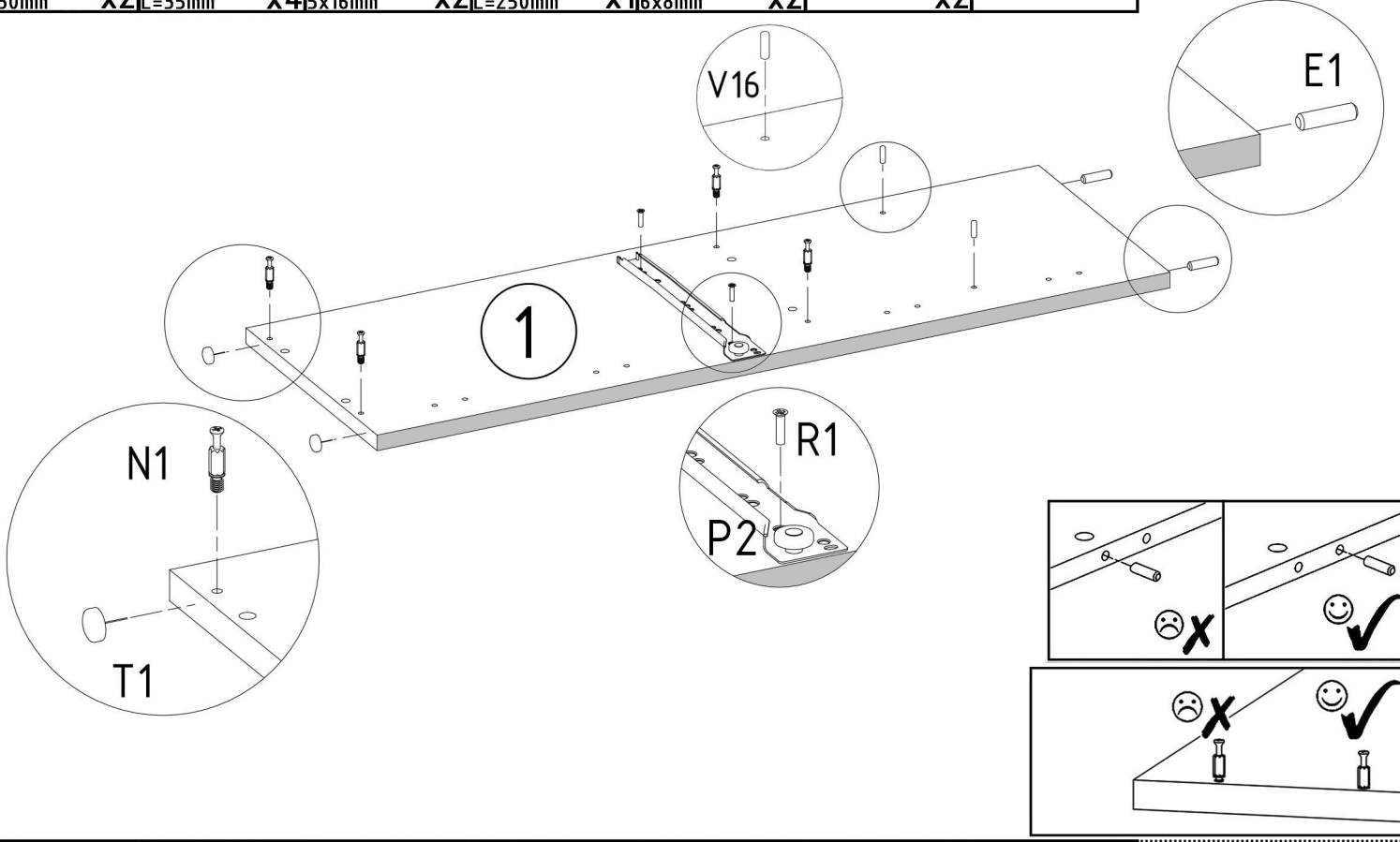
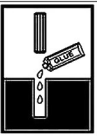
V12  x1	Z1  x50	A1  ZP x4	U3  L=150/96mm x3	R8  4x30mm x6	S1  3,5x16mm x12	F1  7x50mm x2	F3  x1
B1  ø17/5-4mm x2	E1  8x30mm x12	N1  L=35mm x10	V16  5x16mm x4	P2  L=250mm x1	R1  6x8mm x4	T1  x4	M1  12x15mm x10



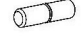






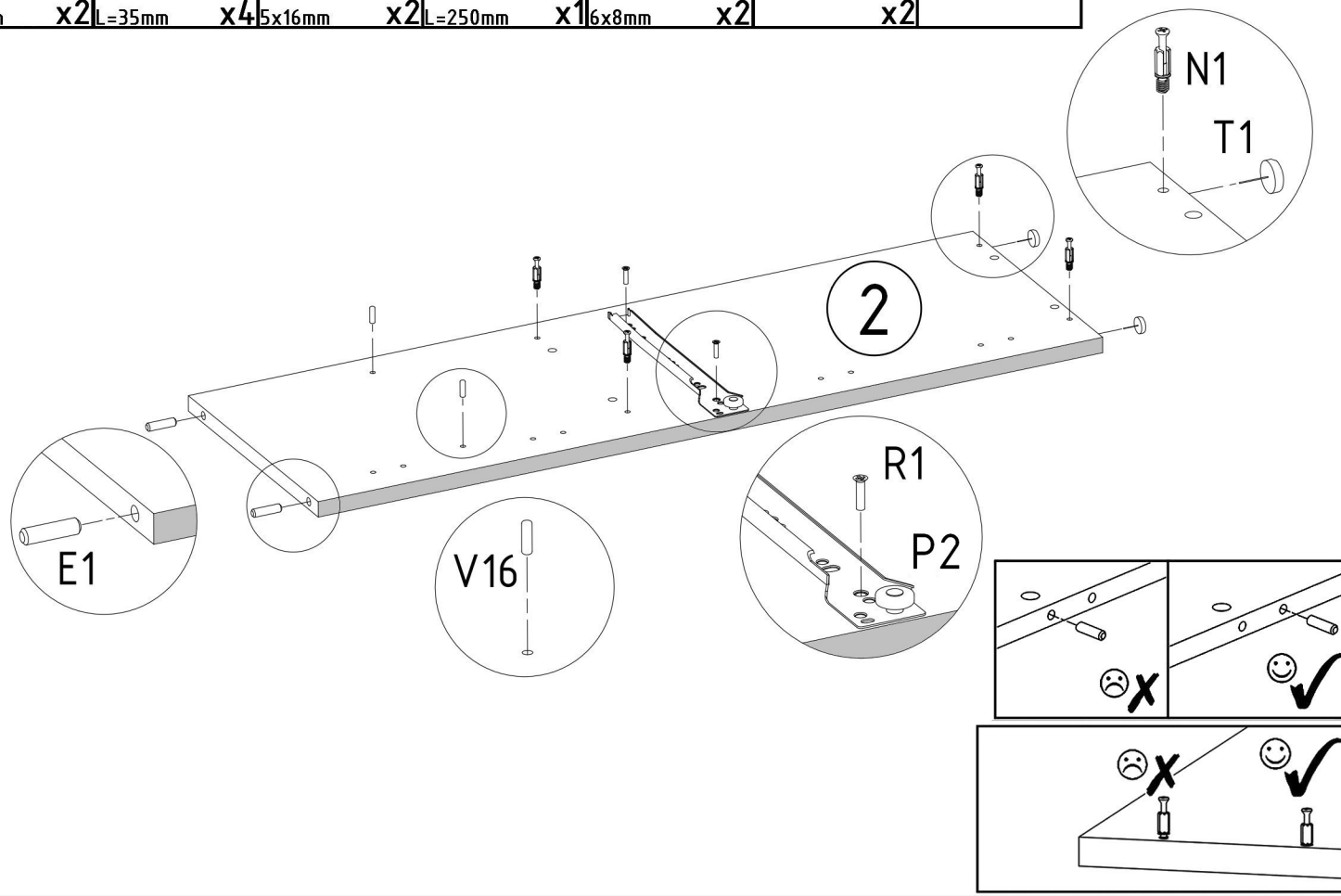
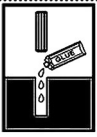
1	x	1
2	x	1
3	x	2
4	x	1
5	x	1
6	x	1
7	x	1
8	x	1


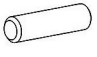
9	x	1
10	x	1
11	x	2
12	x	1
13	x	1

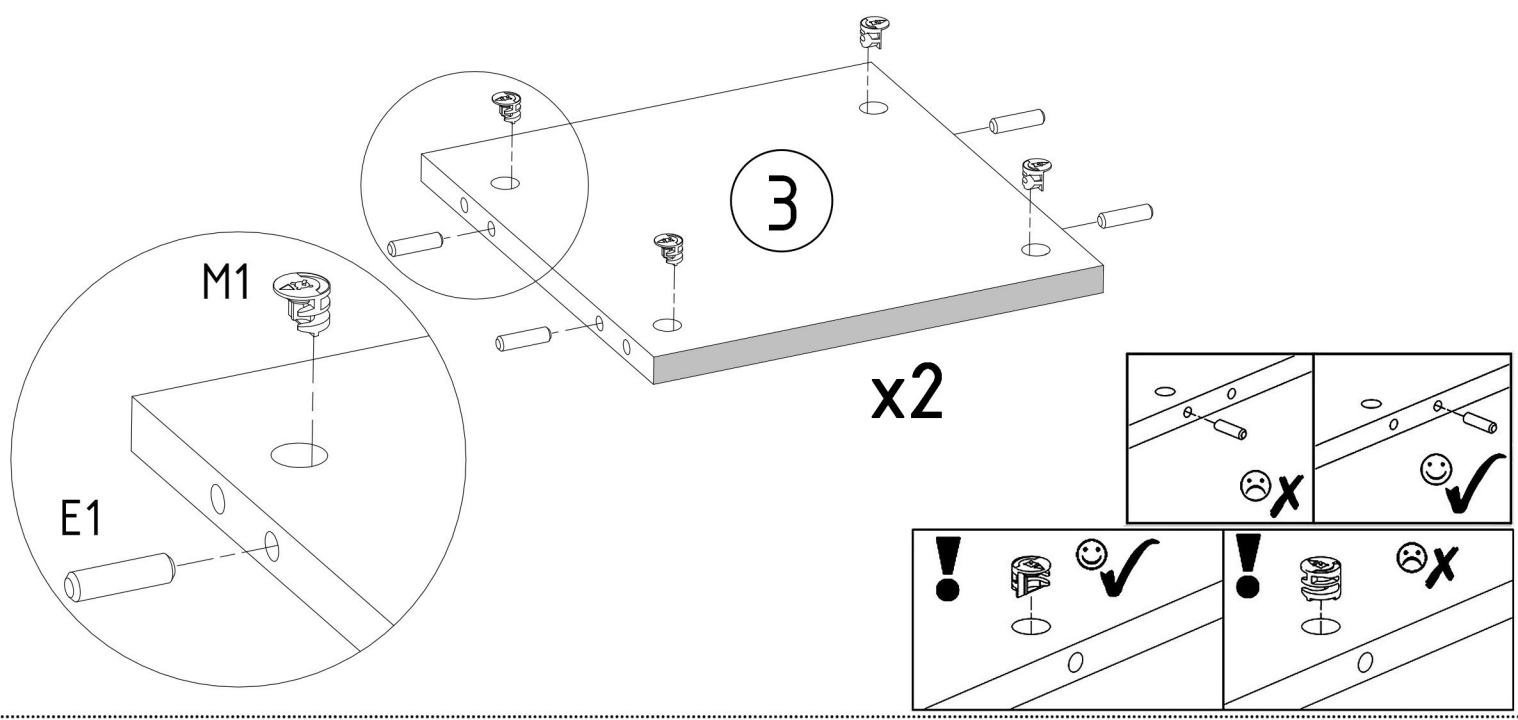
E1 	N1 	V16 	P2 	R1 	T1 	V12 
8x30mm	x2 L=35mm	x4 5x16mm	x2 L=250mm	x1 6x8mm	x2	x2



E1 	N1 	V16 	P2 	R1 	T1 	V12 
8x30mm	x2 L=35mm	x4 5x16mm	x2 L=250mm	x1 6x8mm	x2	x2




M1  12x15mm x8	E1  8x30mm x8
---	---




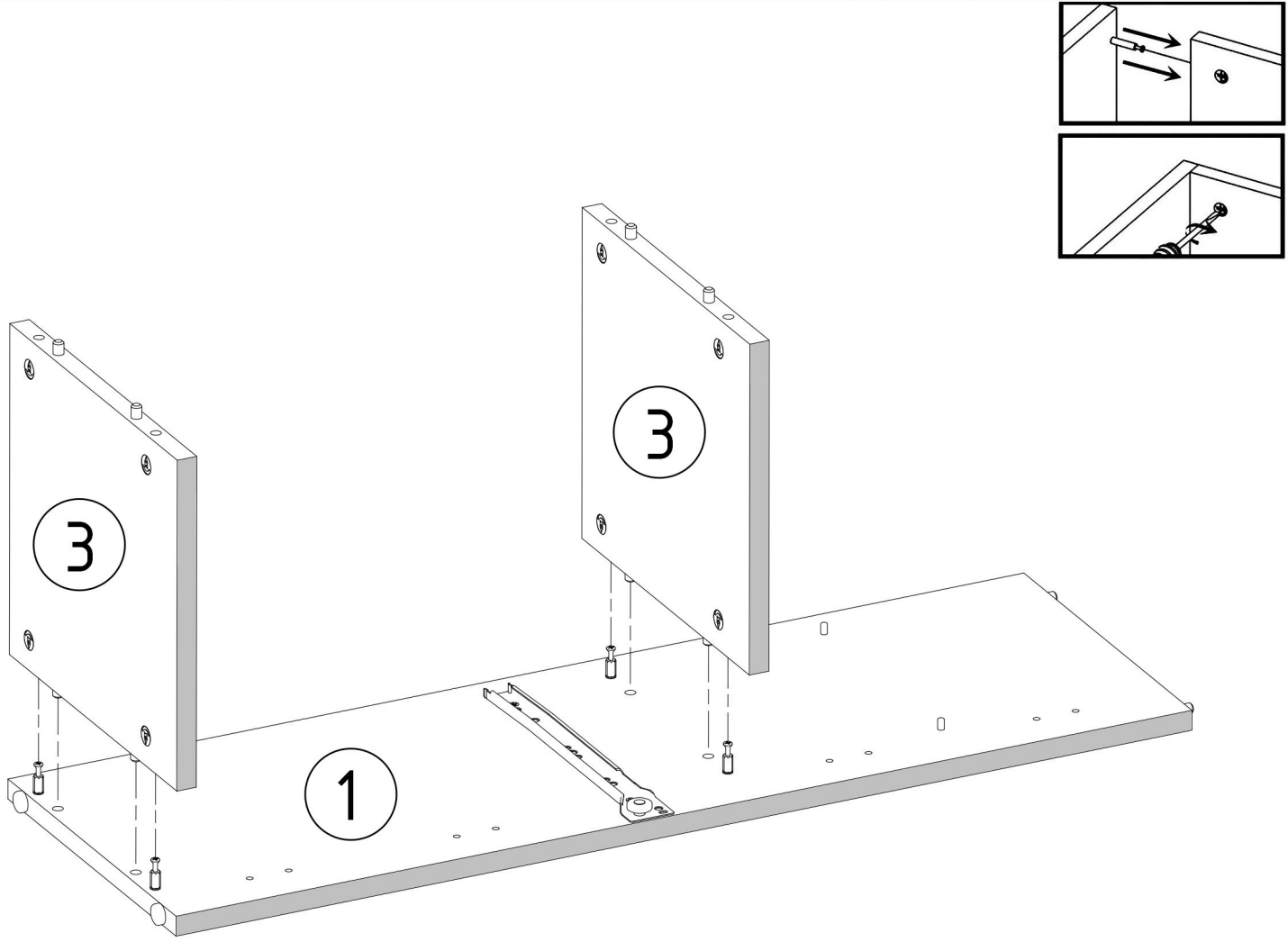
3 x2

M1

E1

!  ✓

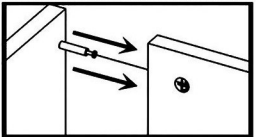
!  ✗

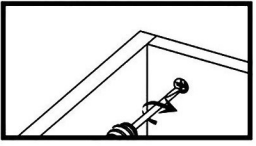


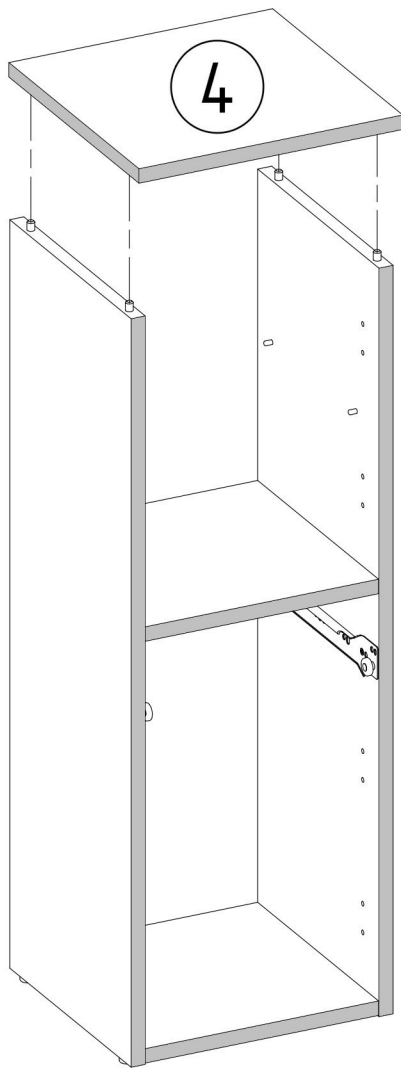
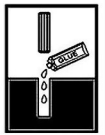
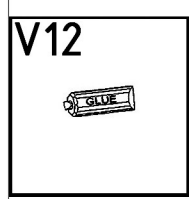
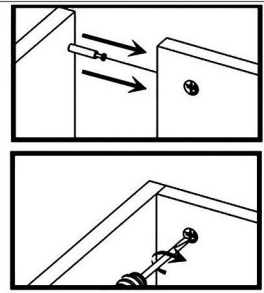
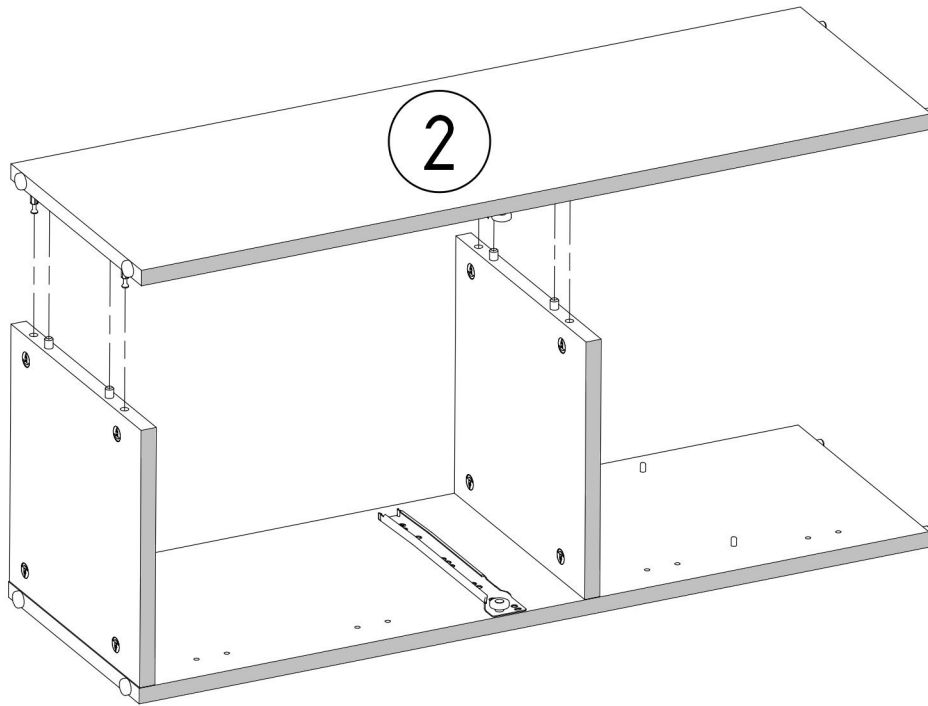
3



3

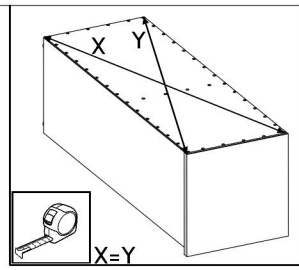
1

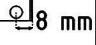
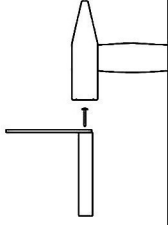
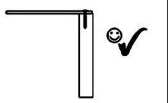



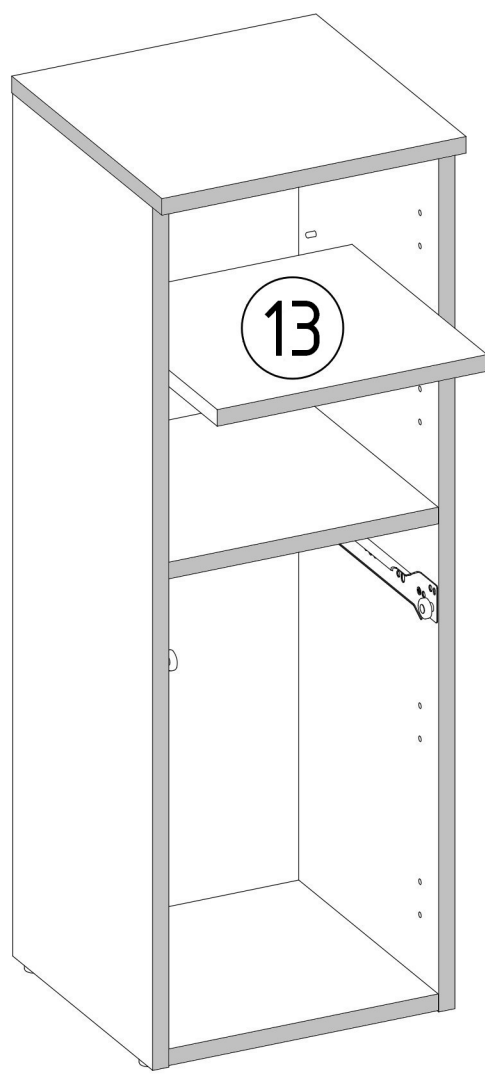
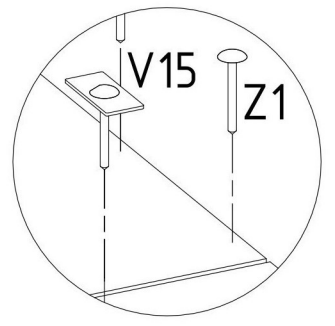
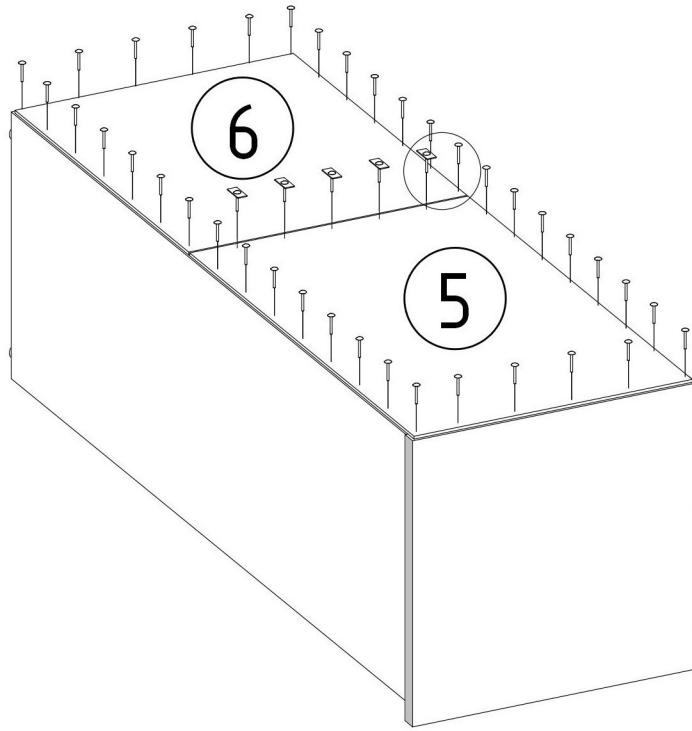








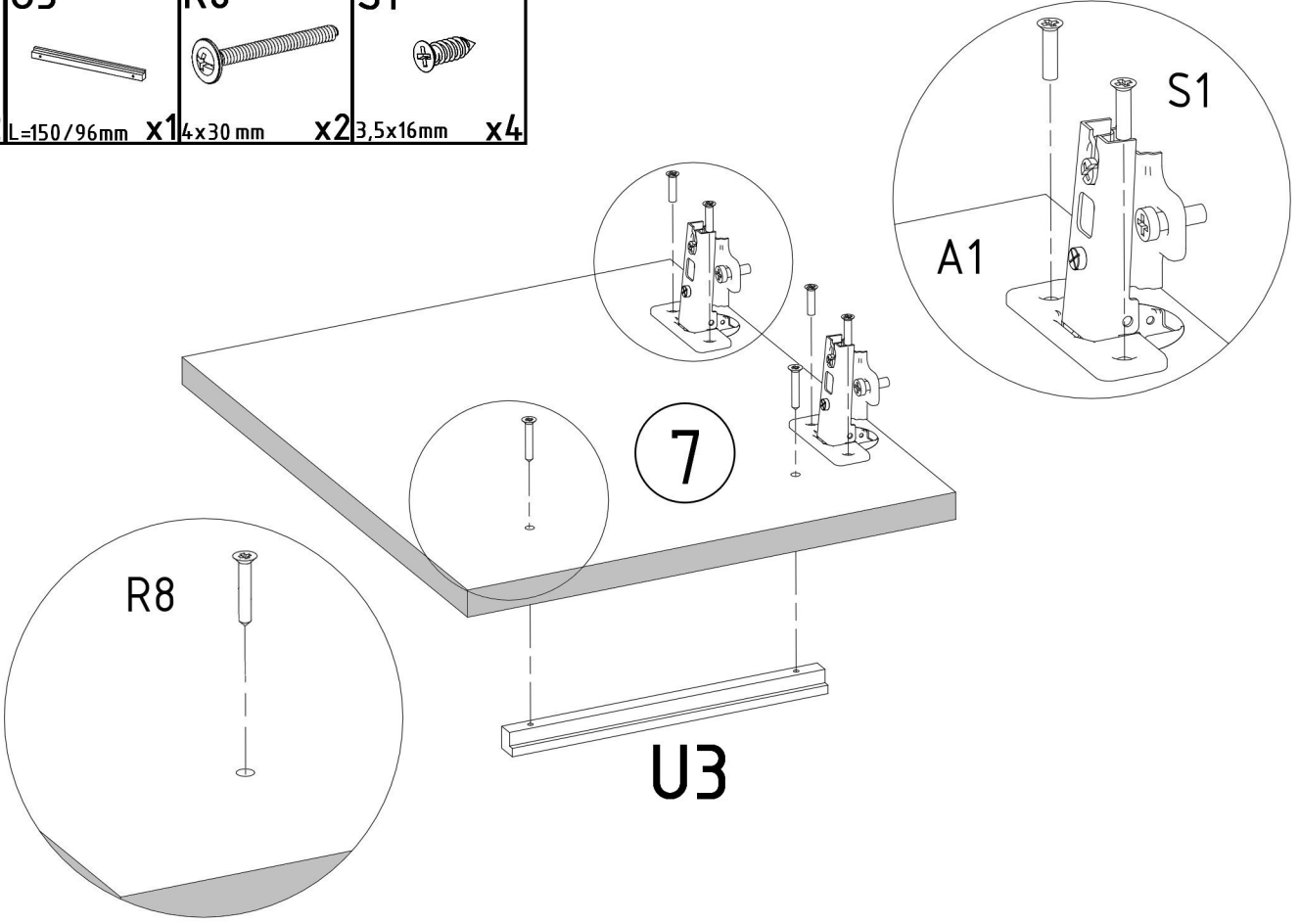
Z1  x46	V15  x5
---	--

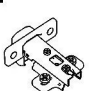





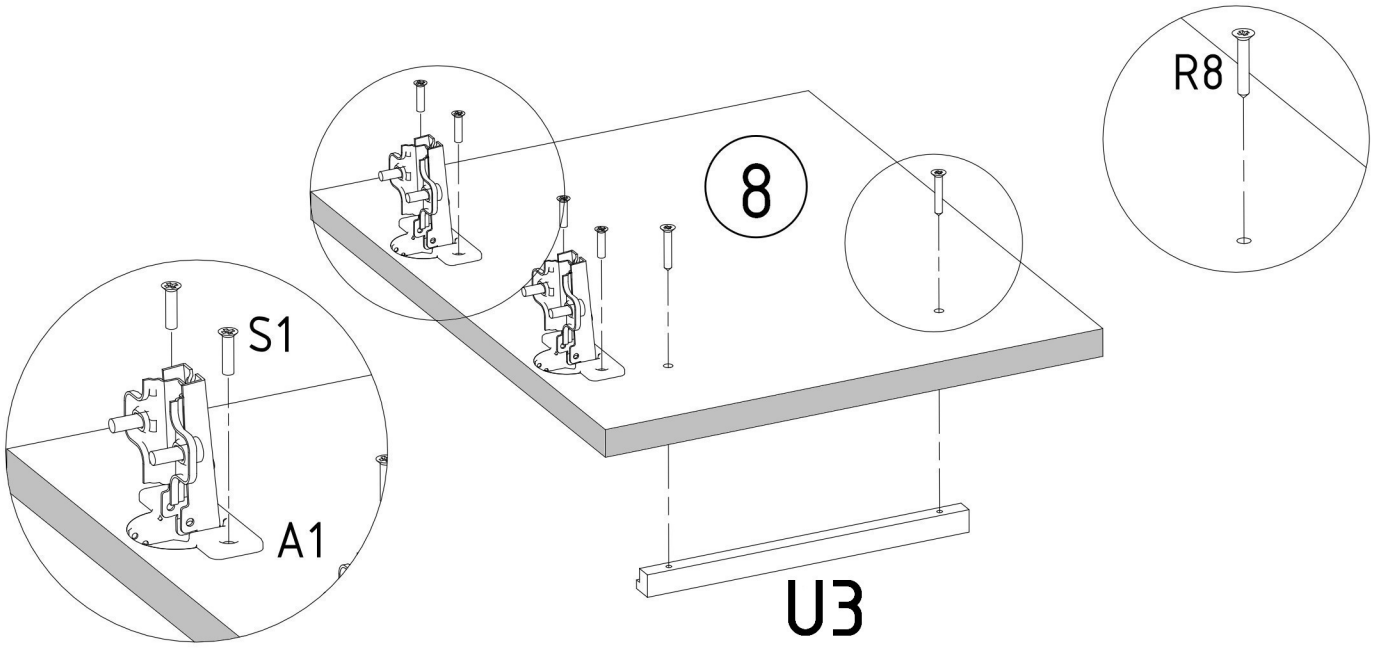
 8 mm




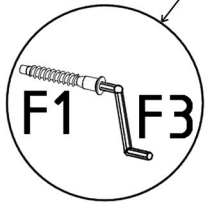
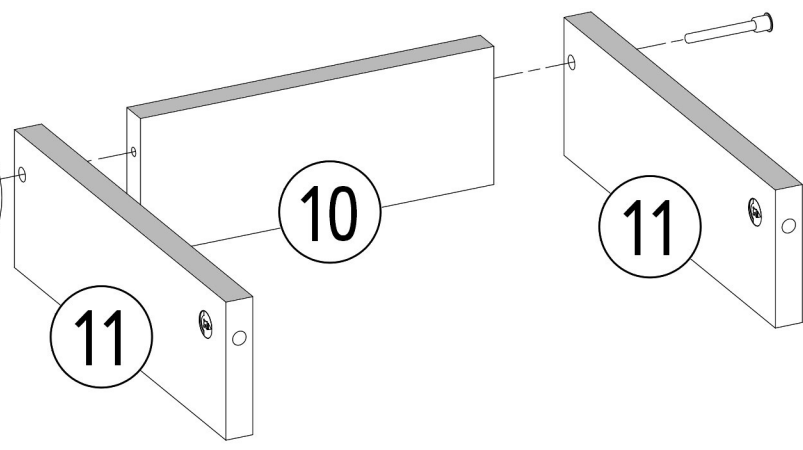
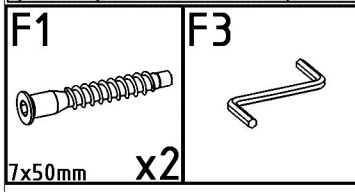
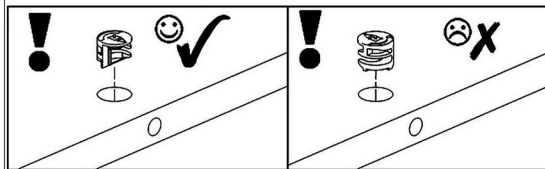
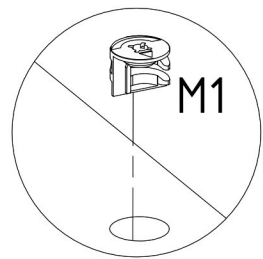
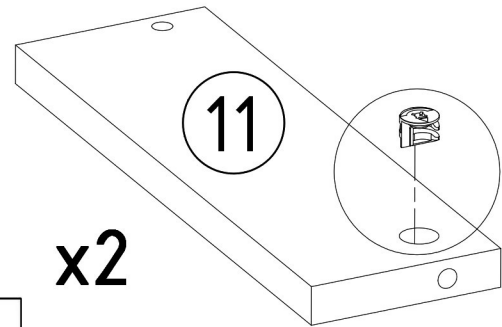
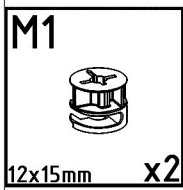
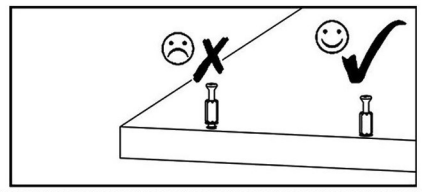
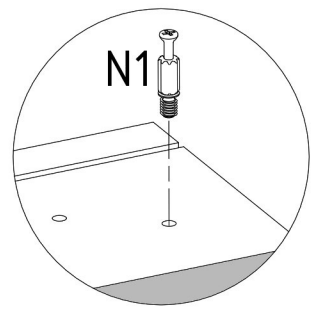
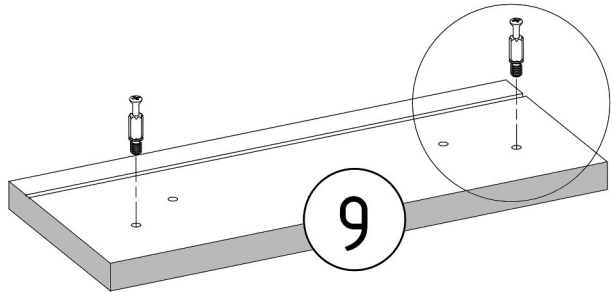
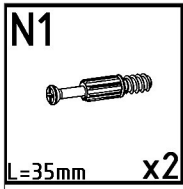





A1 	U3 	R8 	S1 
ZP	x2 L=150/96mm	x1 4x30 mm	x2 3,5x16mm x4

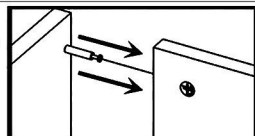


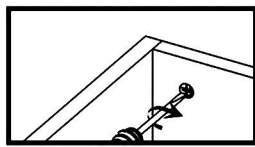
A1 	U3 	R8 	S1 
ZP	x2 L=150/96mm	x1 4x30 mm	x2 3,5x16mm x4



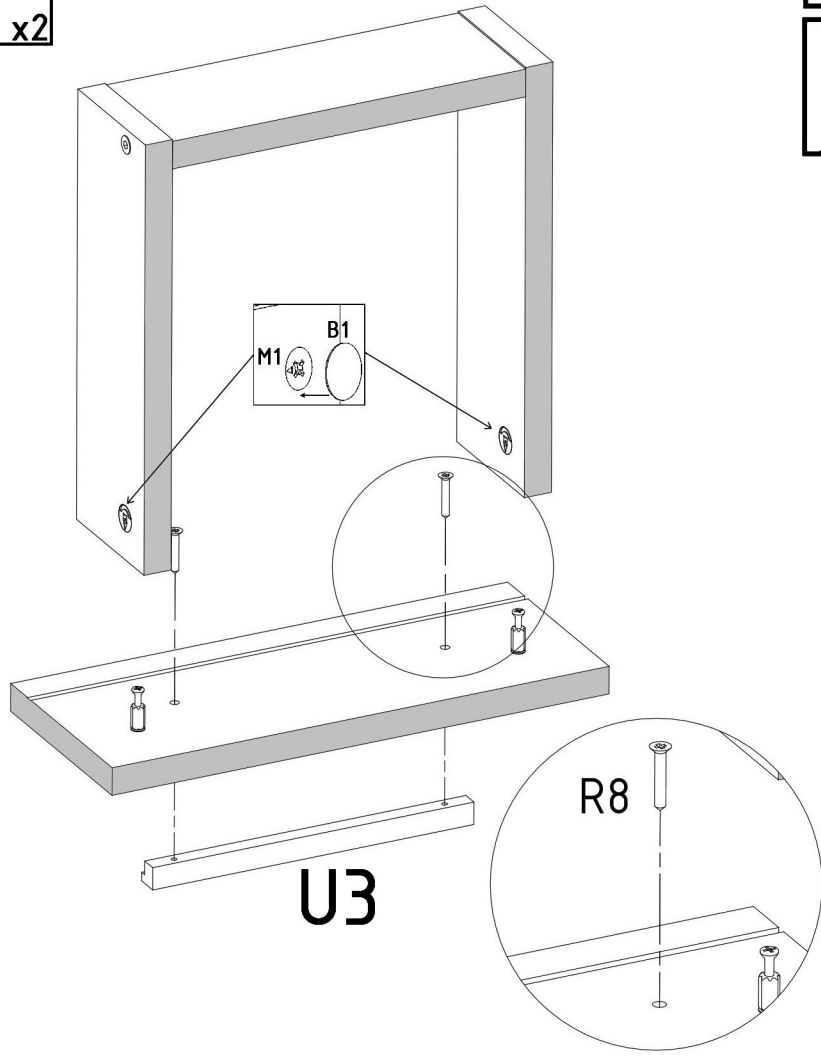




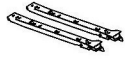
U3  L=150/96mm X1	R8  4x30mm X2	B1  ø17/5-4mm X2
---	--	---

1. 

2. 

M1 **B1**



Z1  X4	S1  3,5x16mm X4	P2  L=250mm X1
--	--	---

