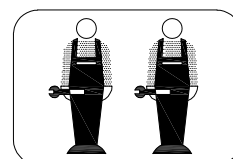
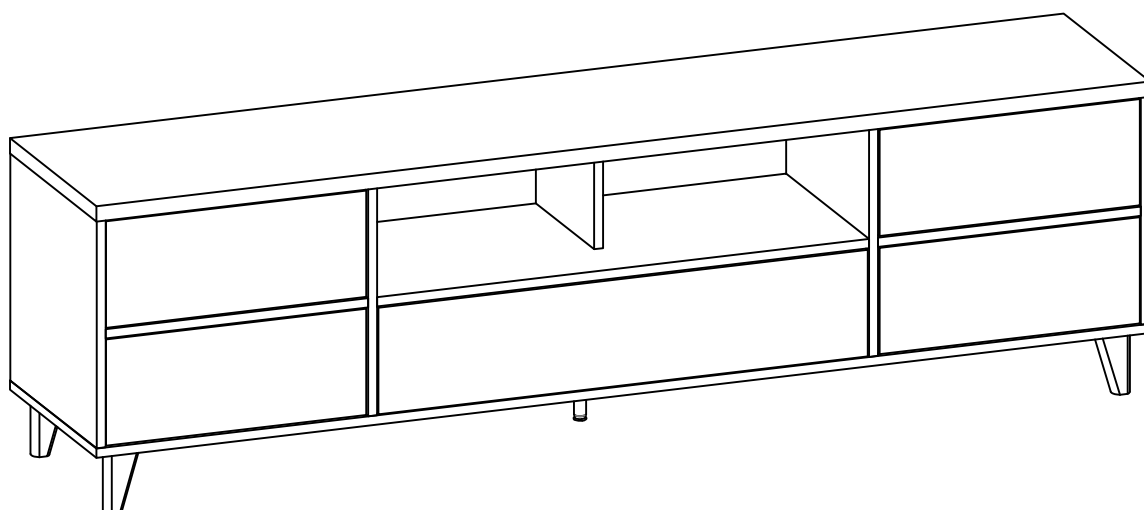


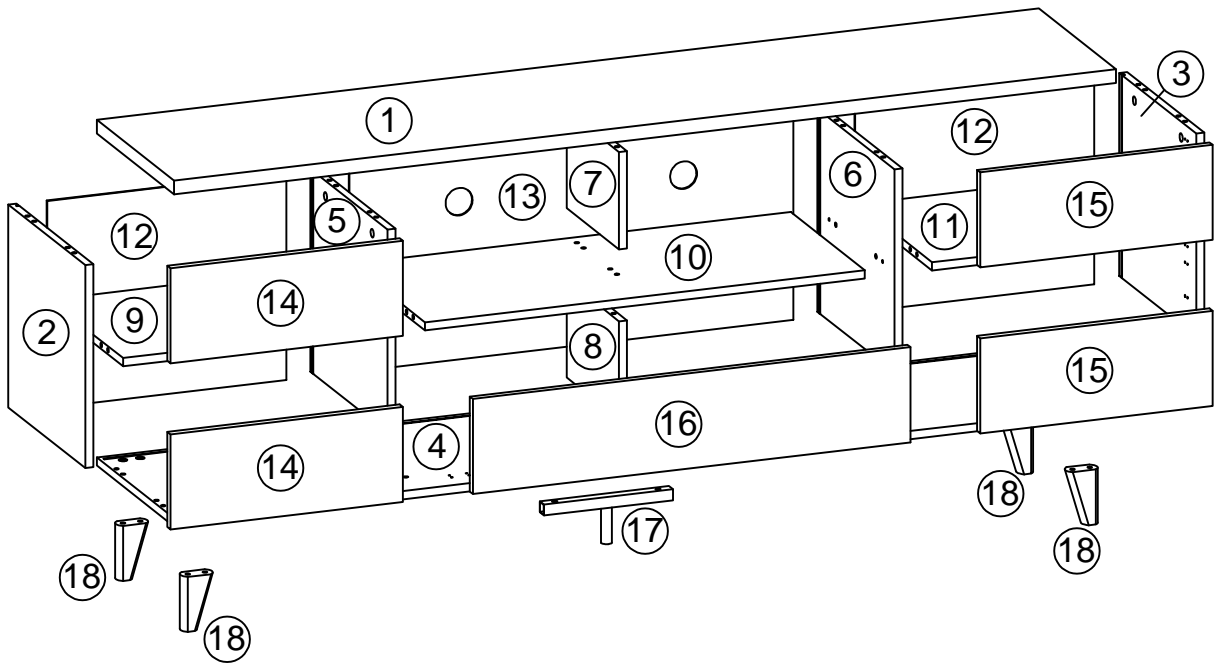
# ASSEMBLY INSTRUCTIONS MONTAGEANLEITUNGEN

WF308418419


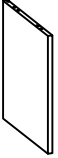




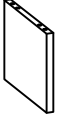
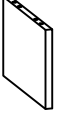

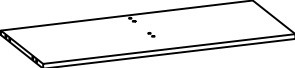

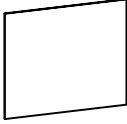
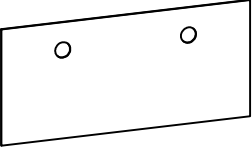


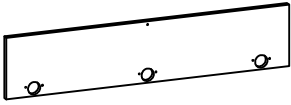
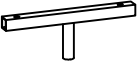

Our product will be delivered to you in 2 packages. The delivery times of these 2 packages may differ, please be patient and thank you for your understanding.

Unser Produkt wird Ihnen in 2 Paketen geliefert. Die Lieferzeiten dieser 2 Pakete können abweichen, bitte haben Sie etwas Geduld und vielen Dank für Ihr Verständnis.

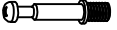


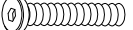
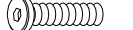

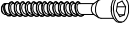
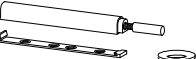









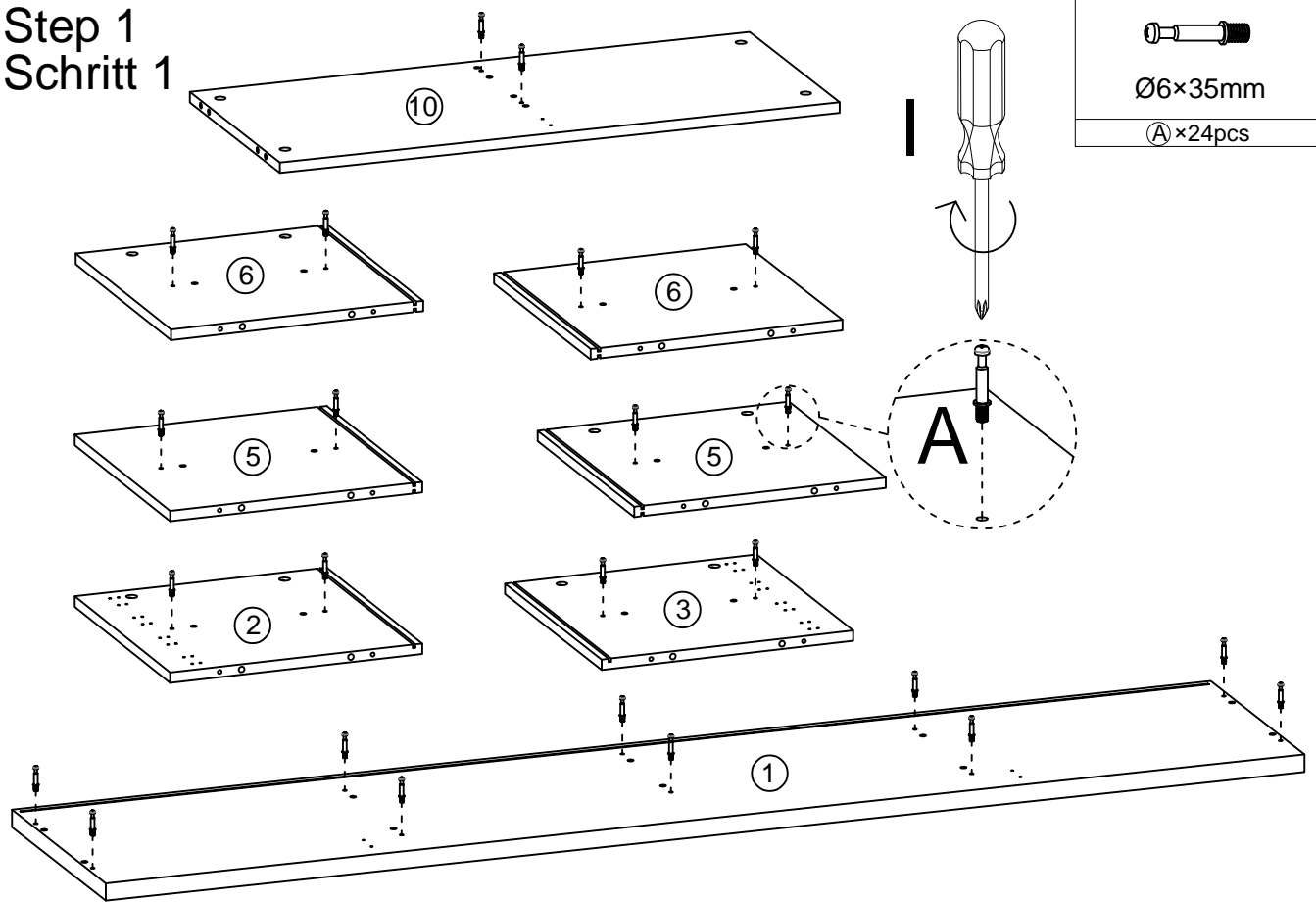
## Part List Stückliste

			
①×1pc	②×1pc	③×1pc	④×1pc
			
⑤×1pc	⑥×1pc	⑦×1pc	⑧×1pc
			
⑨×1pc	⑩×1pc	⑪×1pc	⑫×2pcs
			
⑬×1pc	⑭×2pcs	⑮×2pcs	⑯×1pc
			
⑰×1pc	⑱×4pcs		

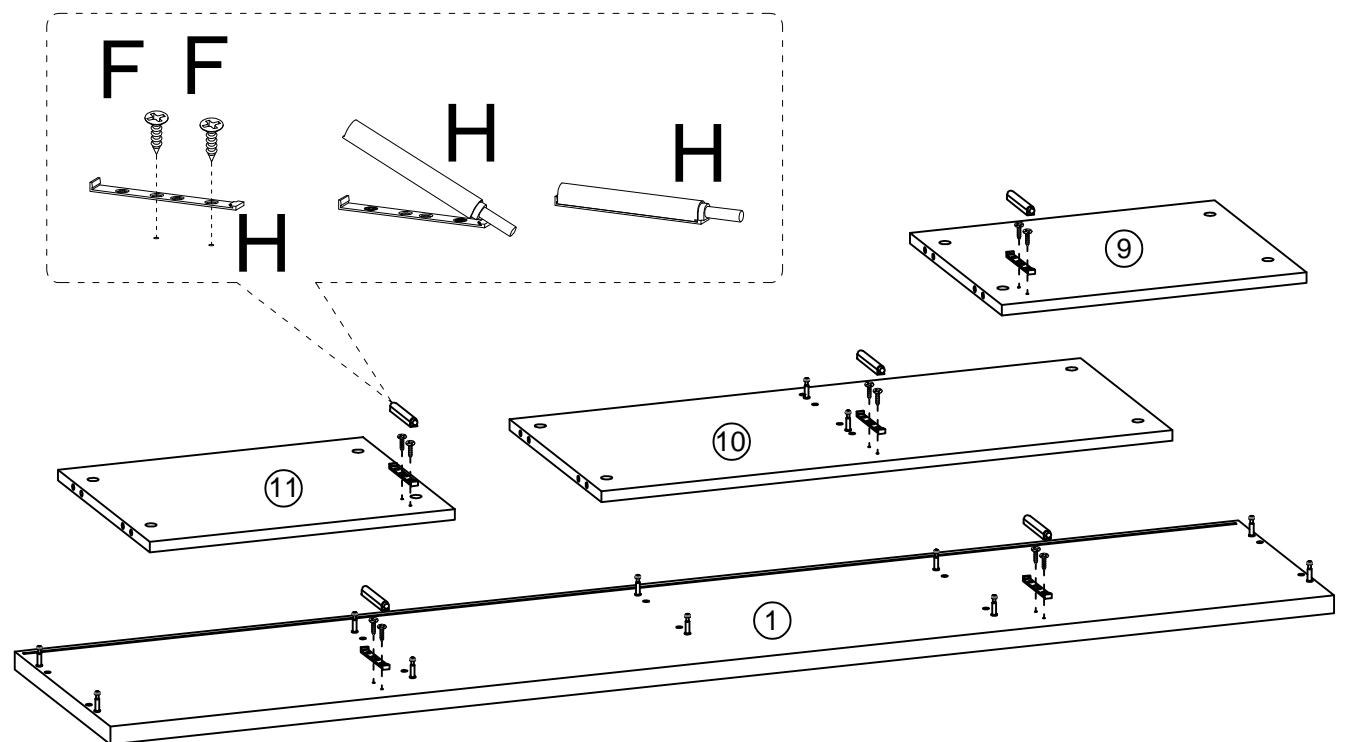
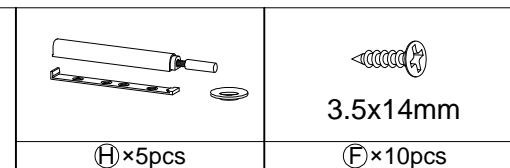
## Hardware List Hardwareliste

				
Ø6×35mm	Ø15×12mm	Ø8×30mm	M6×30mm	M6×25mm
Ⓐ×24pcs	Ⓑ×24pcs	Ⓒ×36pcs	Ⓓ×8pcs	Ⓔ×2pcs
				
3.5×14mm	Ø7×40mm			
Ⓕ×81pcs	Ⓖ×12pcs	Ⓗ×5pcs	Ⓘ×1pc	Ⓣ×pc
				
Ⓚ×11pcs	Ⓛ×1pc	Ø20×2mm		
		Ⓜ×4pcs		

Step 1  
Schritt 1



Step 2  
Schritt 2



Step 3  
Schritt 3



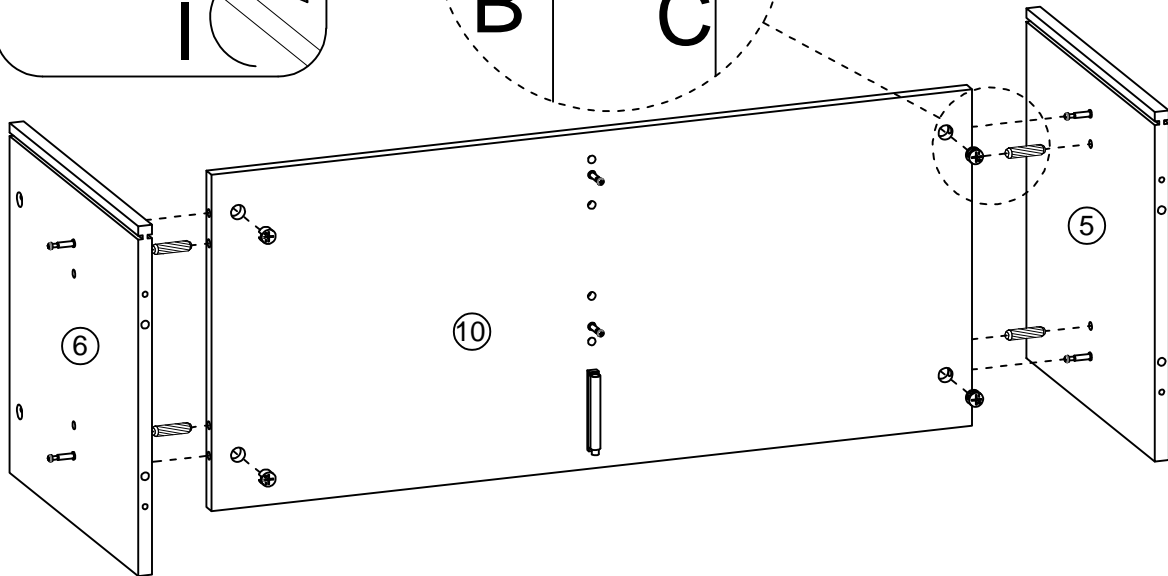
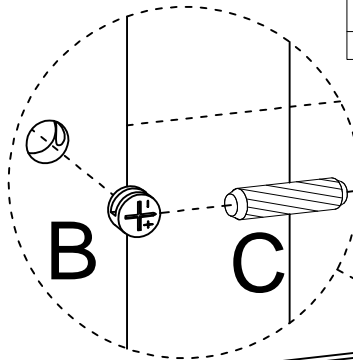
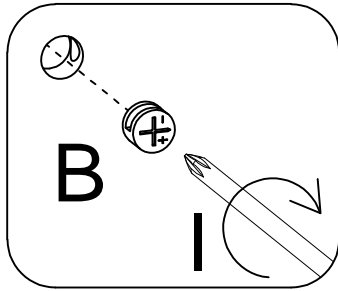
Ø8×30mm

Ⓒ×4pcs



Ø15×12mm

Ⓑ×4pcs



Step 4  
Schritt 4



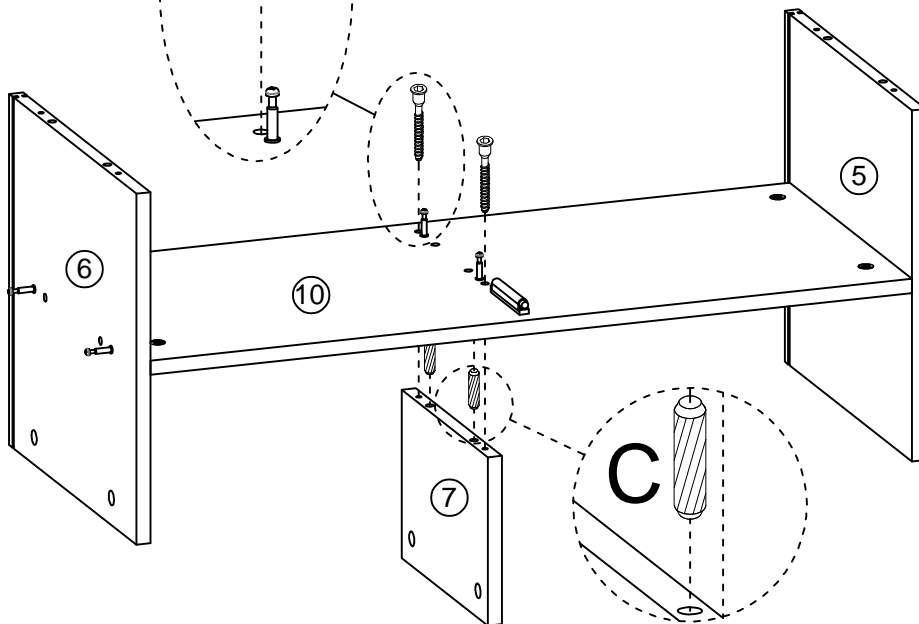
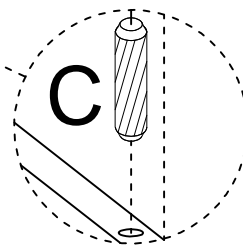
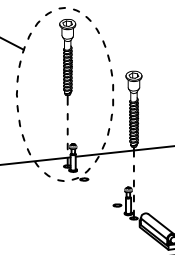
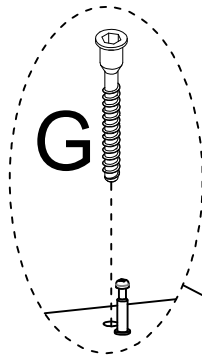
Ø8×30mm

Ⓒ×2pcs



Ø7×40mm

Ⓔ×2pcs



Step 5  
Schritt 5



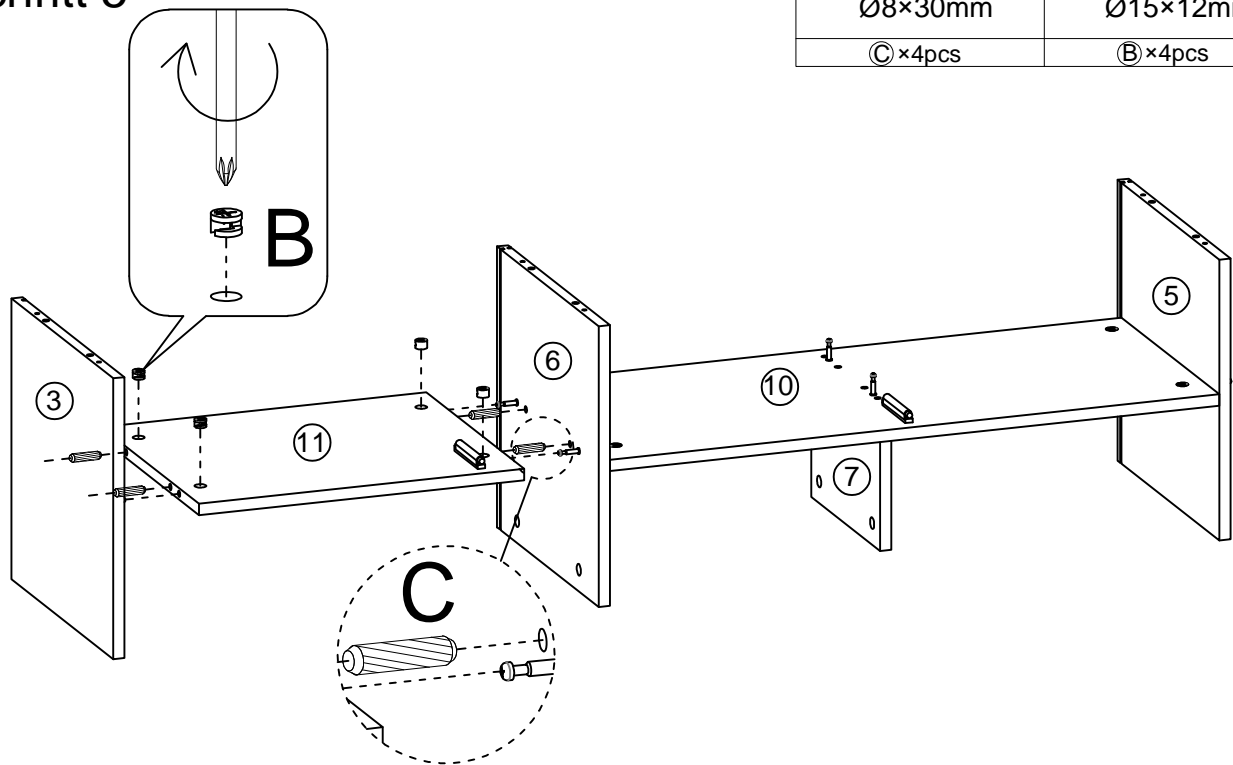
Ø8x30mm

Ⓒ ×4pcs



Ø15x12mm

Ⓑ ×4pcs



Step 6  
Schritt 6



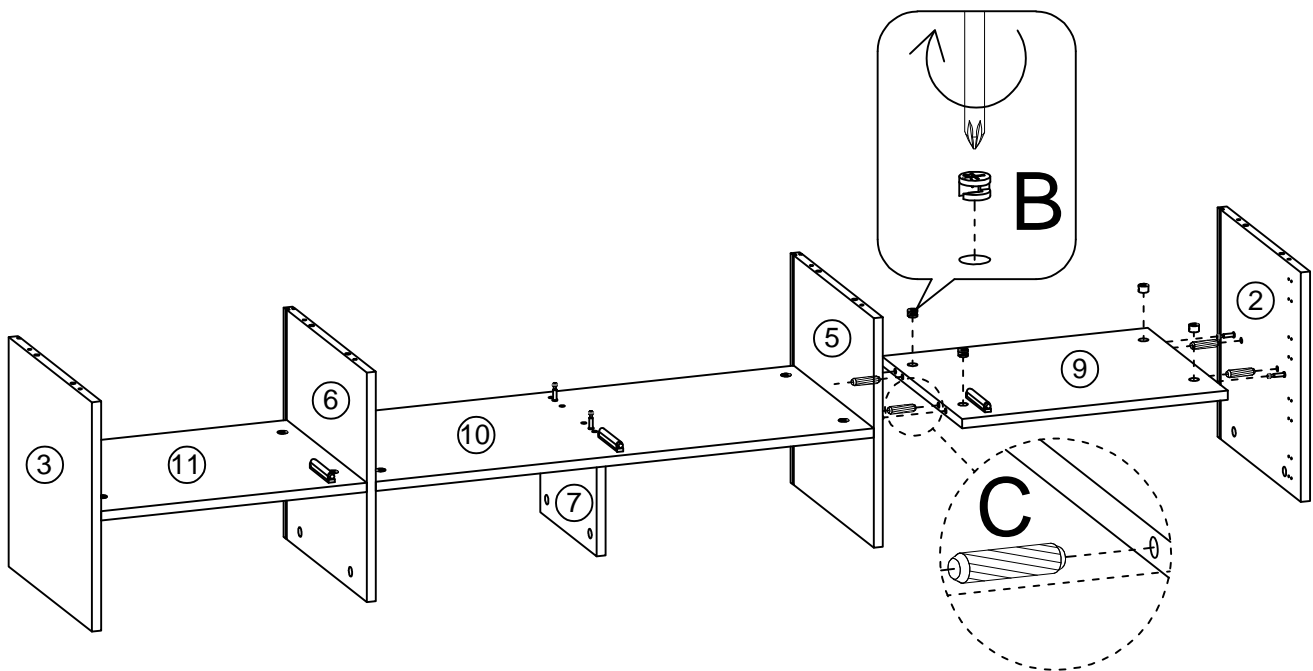
Ø8x30mm

Ⓒ ×4pcs



Ø15x12mm

Ⓑ ×4pcs



Step 7  
Schritt 7



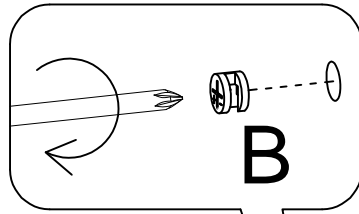
Ø8×30mm

Ⓒ×10pcs

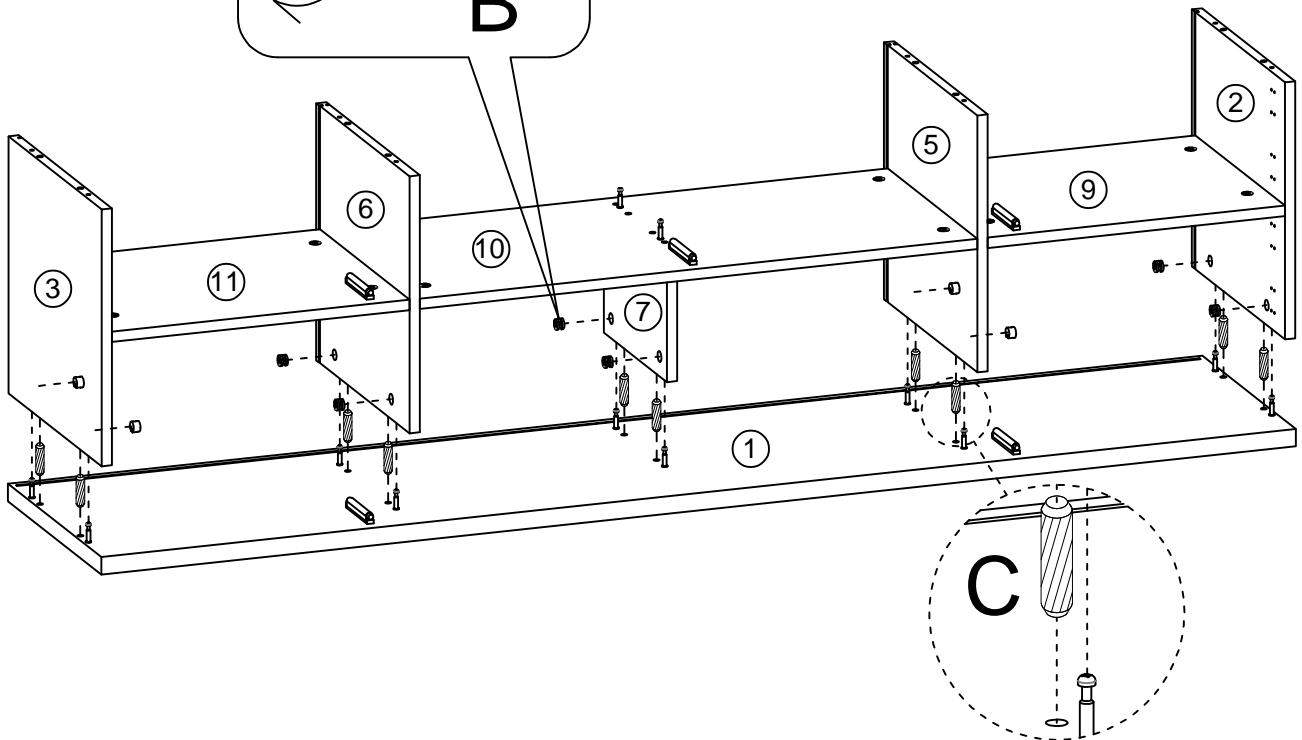


Ø15×12mm

Ⓑ×10pcs



**B**



**C**

Step 8  
Schritt 8



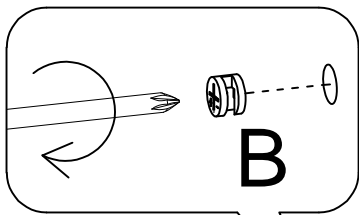
Ø8×30mm

Ⓒ×2pcs

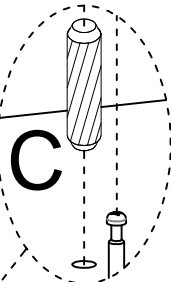


Ø15×12mm

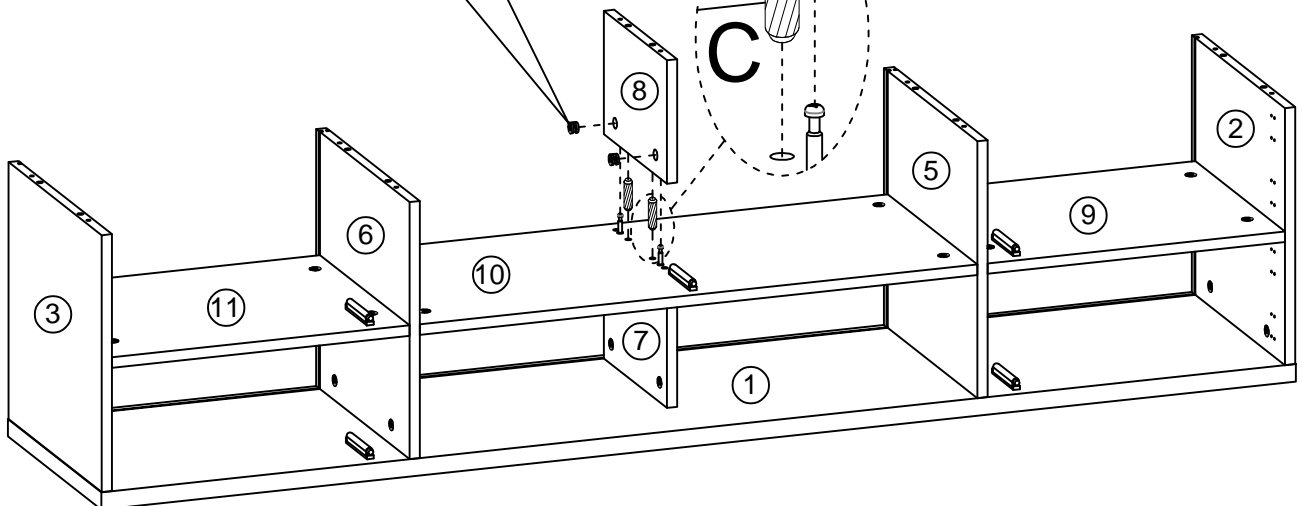
Ⓑ×2pcs



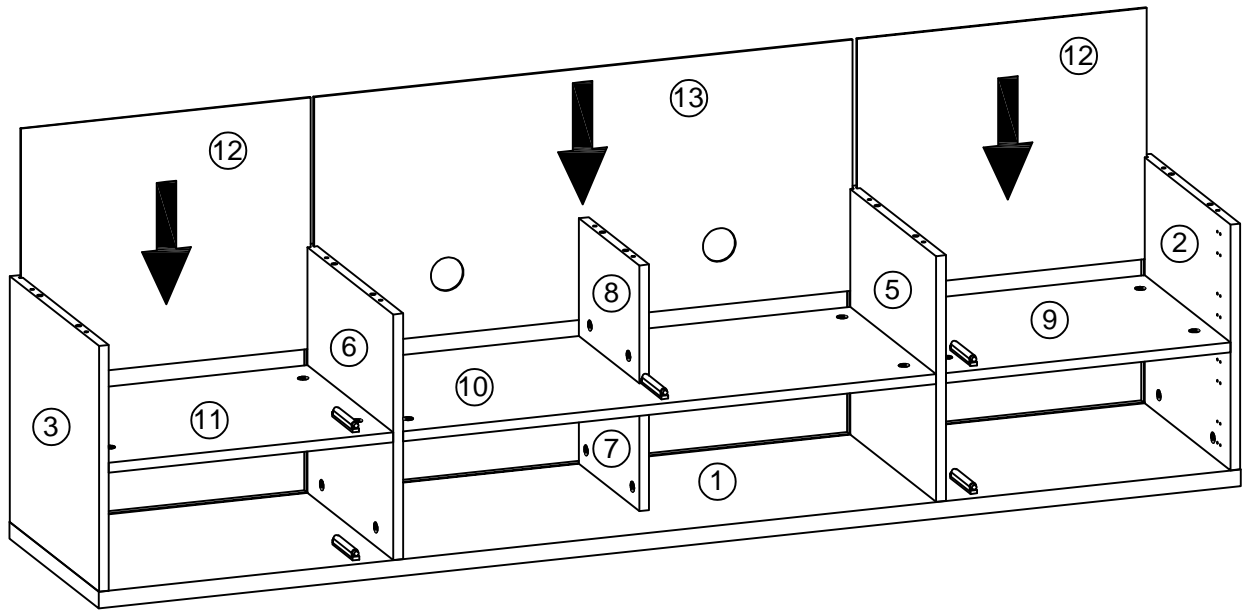
**B**



**C**



Step 9  
Schritt 9

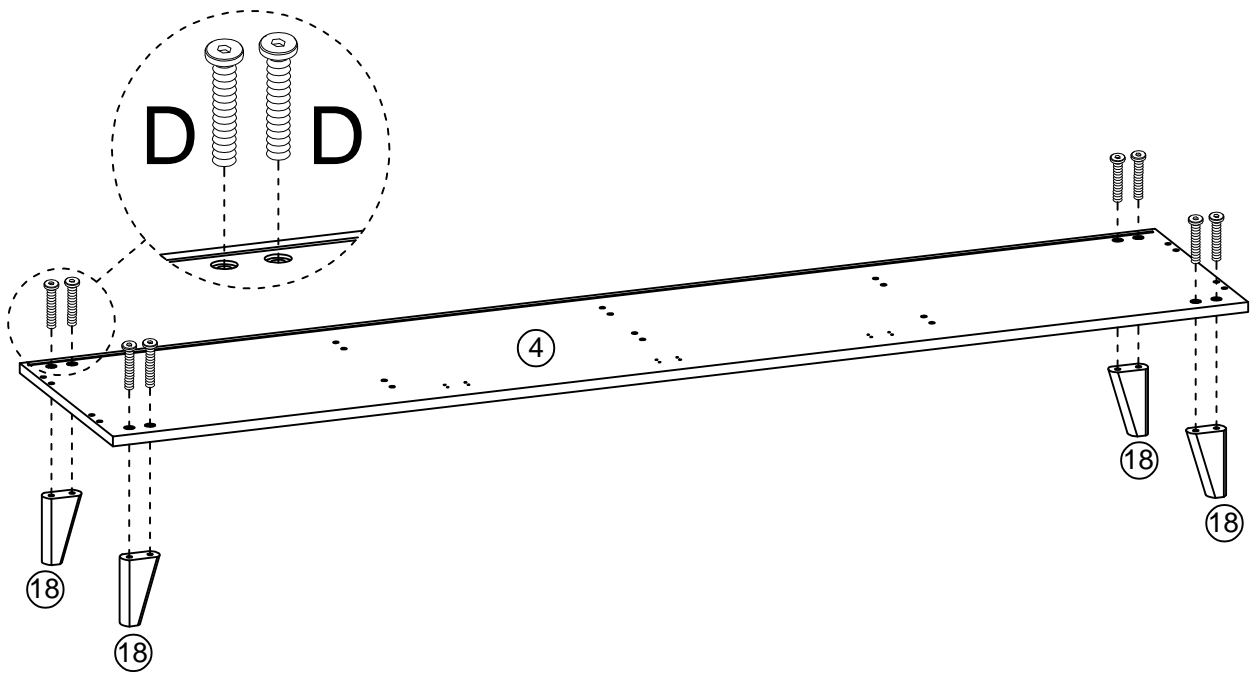


Step 10  
Schritt 10



M6x30mm

ⓓ × 8pcs



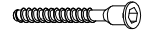


Step 11  
Schritt 11



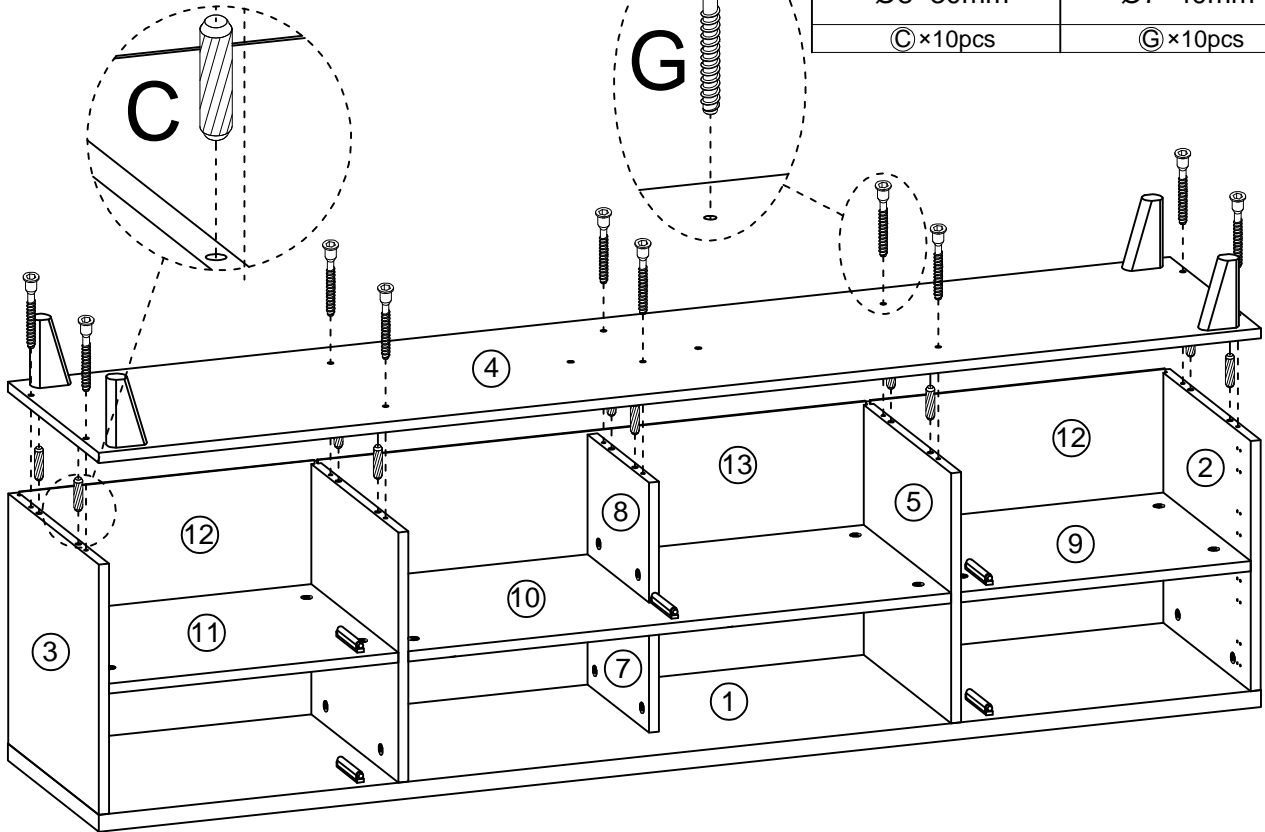
Ø8×30mm

Ⓢ×10pcs



Ø7×40mm

Ⓔ×10pcs



Step 12  
Schritt 12

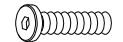


Ø20×2mm

Ⓜ×4pcs

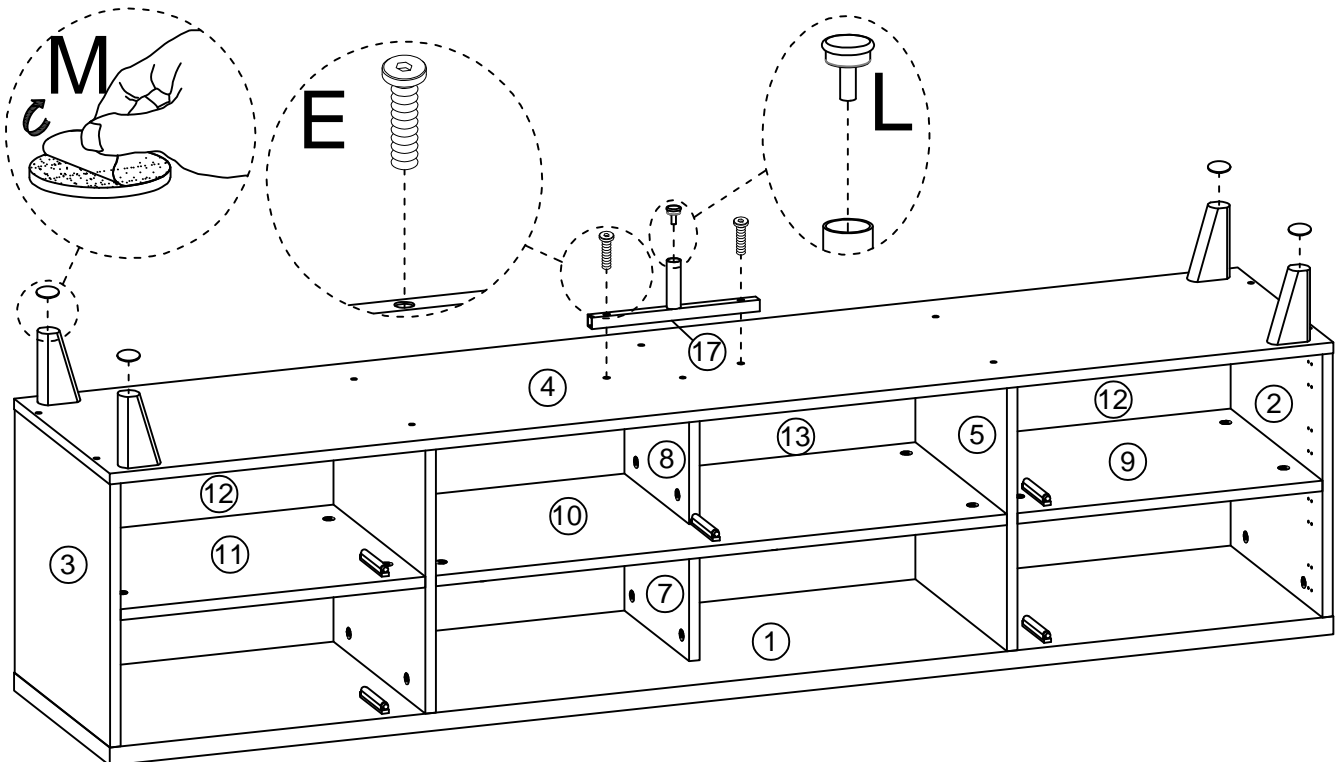


Ⓛ×1pc

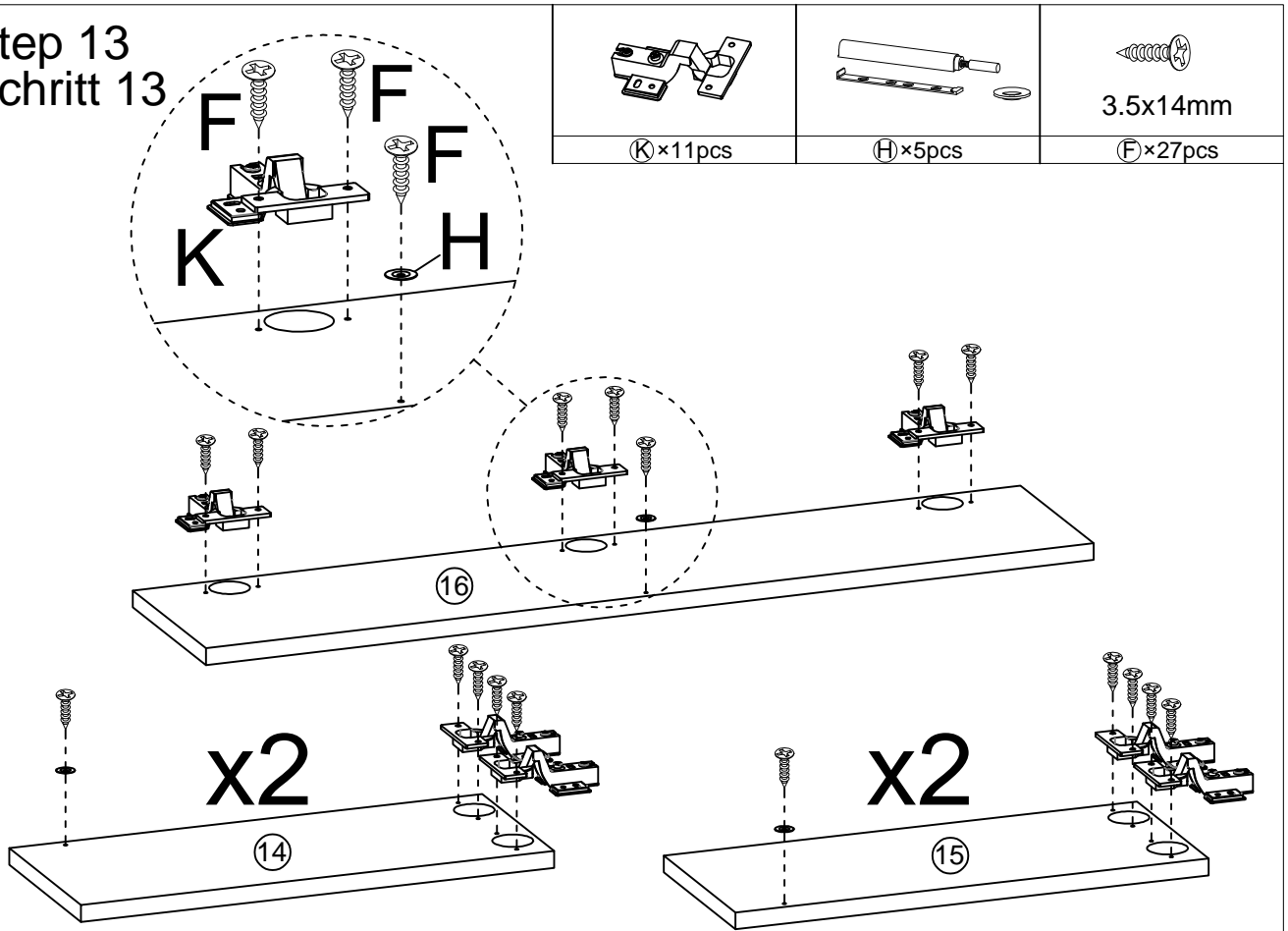


M6×25mm

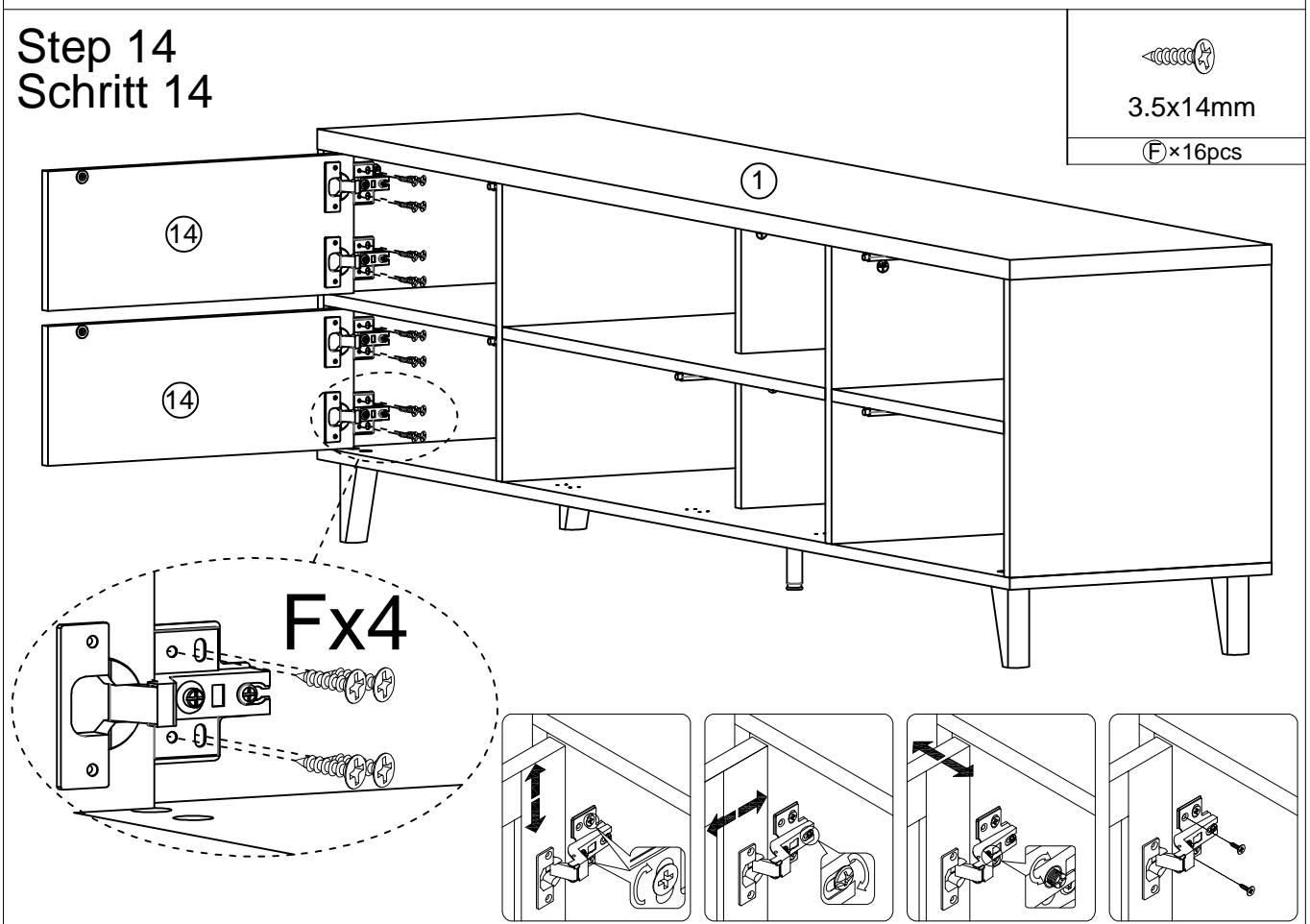
Ⓔ×2pcs



Step 13  
Schritt 13



Step 14  
Schritt 14

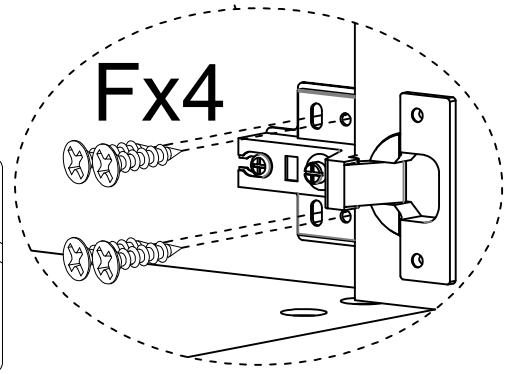
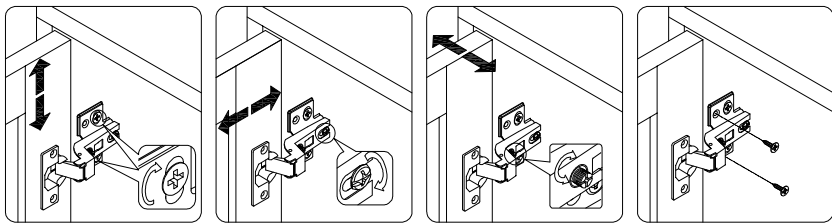
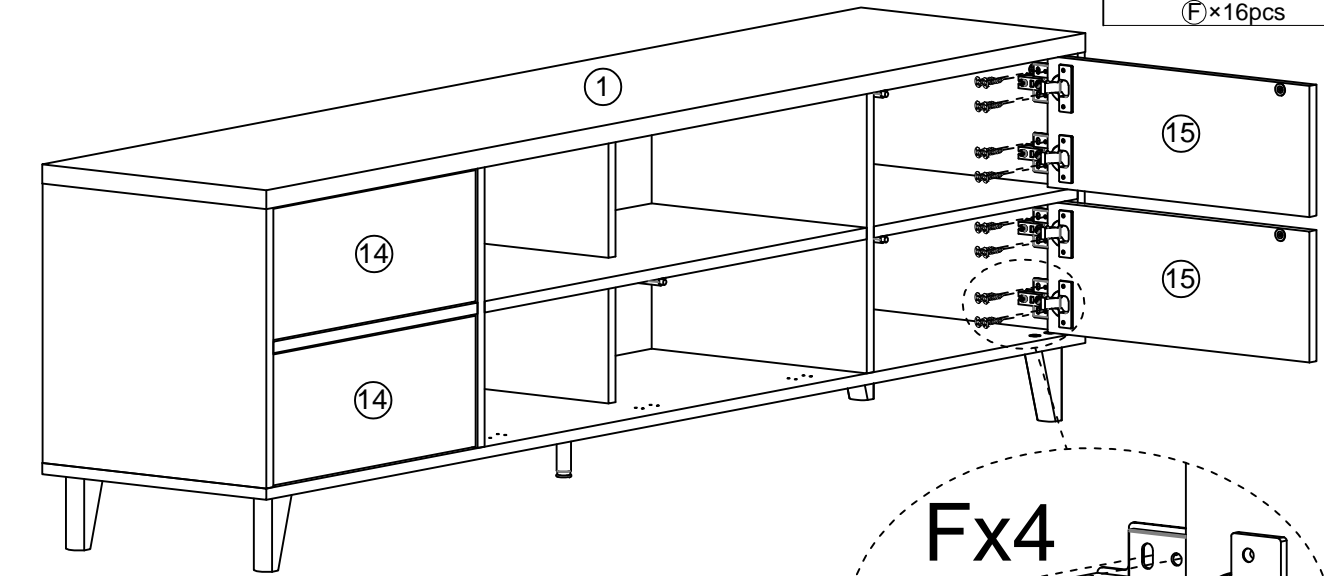


Step 15  
Schritt 15



3.5x14mm

(F) × 16 pcs



Step 16  
Schritt 16



3.5x14mm

(F) × 12 pcs

