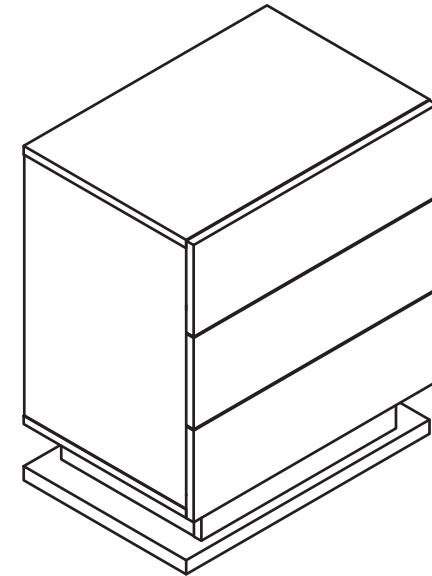


Hironpal

Assembly Instructions

ST06805030WH/40BK/50GY/60WM/
70BM/80GM

Hironpal



Safety Information

Basic precautions should always be followed when using this product. Please read all instructions before using the cabinet.

Failure to observe all instructions and warnings regarding use this product may cause serious property damage or personal Injured.



When unpacking, Please be careful don't cut too deep to damage the products in the box, just use the blade to scratch the parcel tape.



Check the product accessories and hardware accessories in the box; and confirm whether, the instructions are complete.



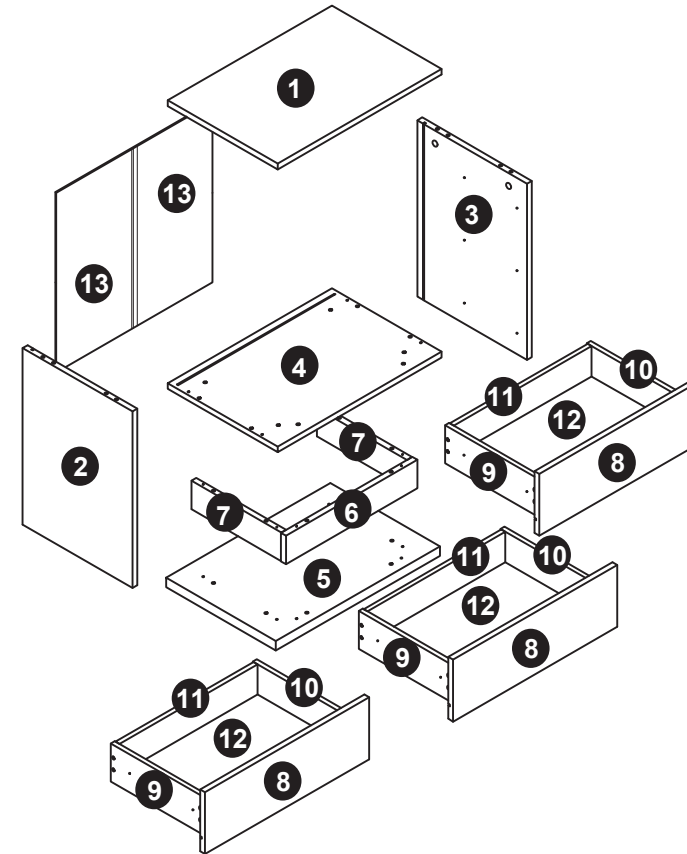
When installing, please pay attention to the protection of the parts. The soft material must be placed under the product, and the product must be handled with care to avoid damaging the surface of the parts.














After the assembly is completed, please adjust the placement position according to the actual situation.



Keep children away from cabinets, accessories and installation tools. They are at risk of injury to the child.



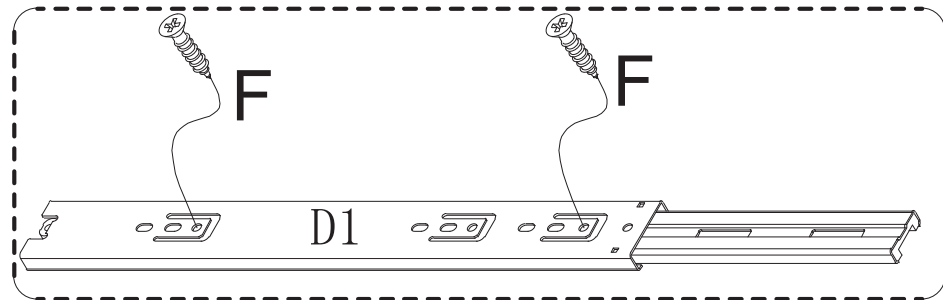
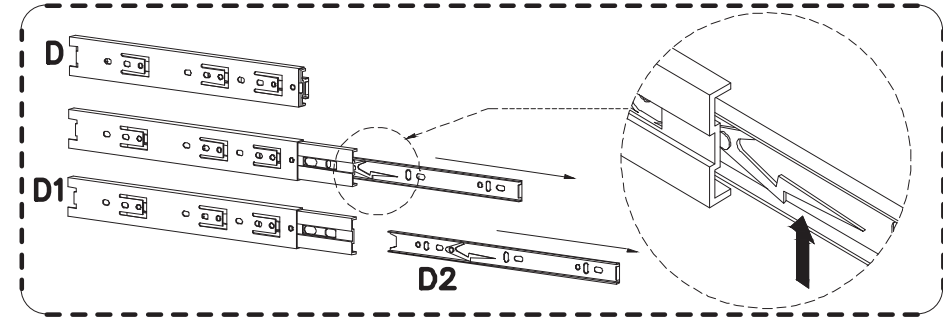
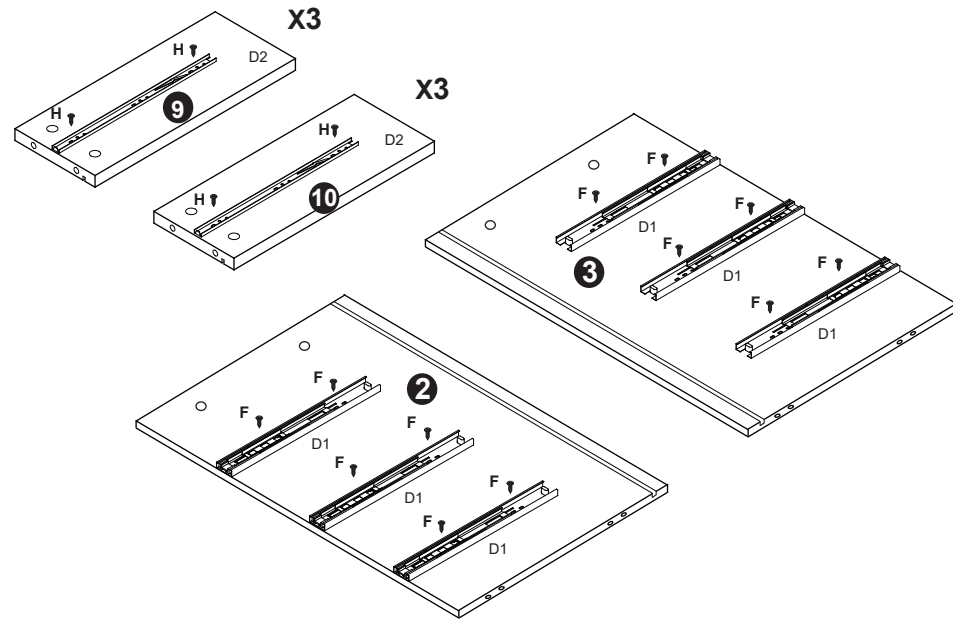
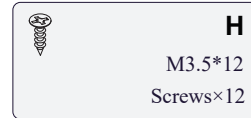
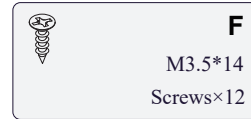
 A M15*34 ×4	 B M12*24 ×12
 C M8*30 ×20	 D D1 D2 M12" ×3
 F M3.5*14 ×16	 G M3.5*30 ×28
 H M3.5*12 ×12	 I ×4
 J ×4	 K ×1
 L ×1	

STEP 1

Divide the drawer slide by pushing the black plastic as shown.

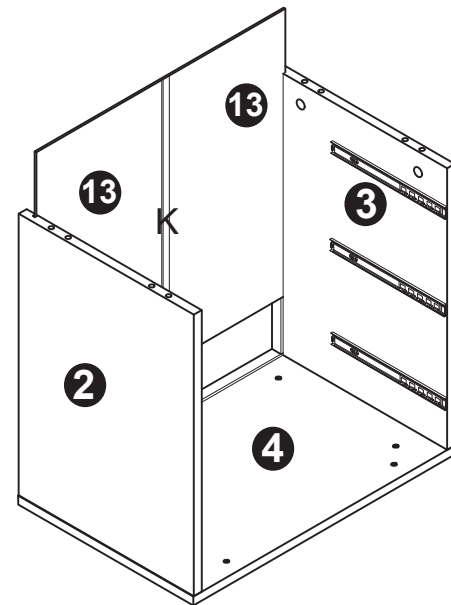
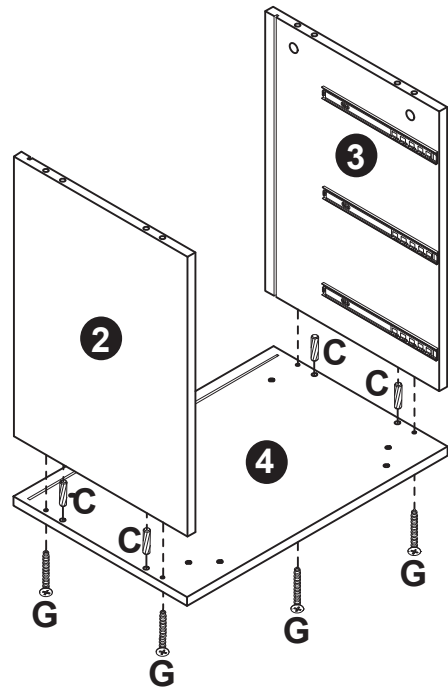
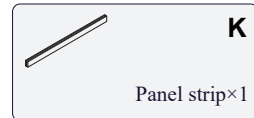
Fix drawer slider **D1** with screw **F** onto side panel **2** and **3**.

Fix drawer slider **D2** with screw **H** onto drawer slide panel **9** and **10** by follow the guide-hole predill into the panel (predill into the panel)

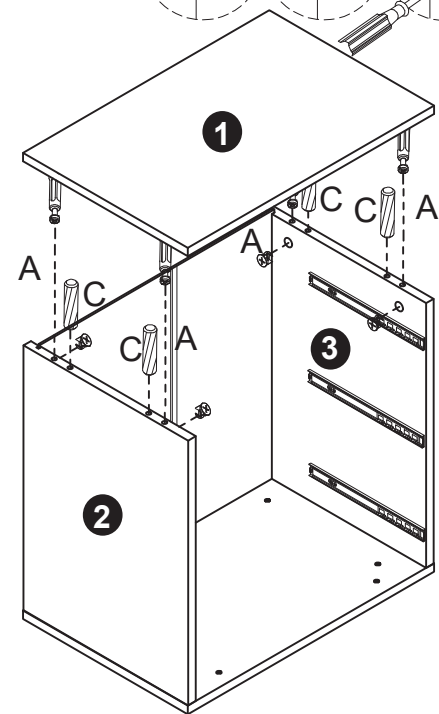
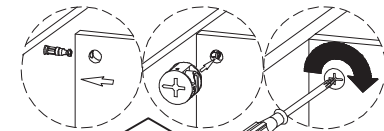
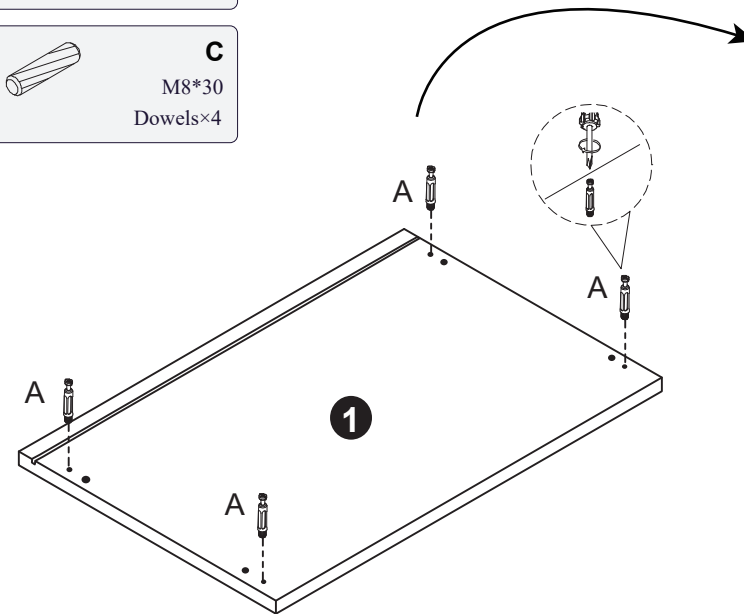
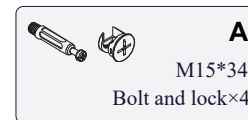


STEP 2

Connect side panel ②, side panel ③ and middle board ④ with long screw G and dowels C as shown. Then insert the back panel ⑬ into the slot with panel strip K.



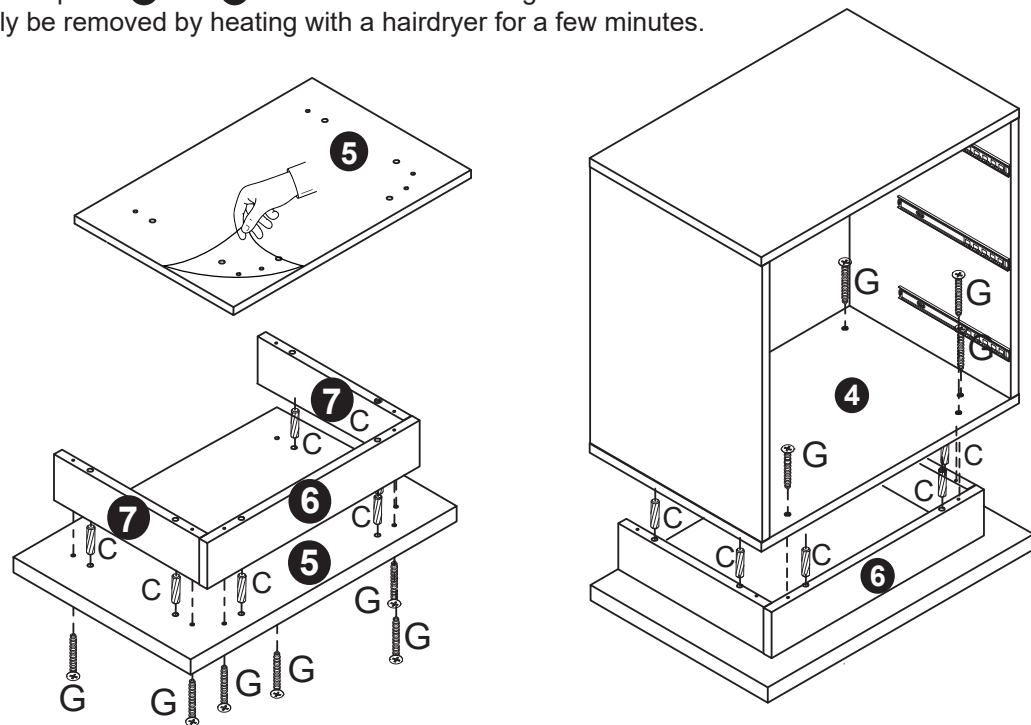
STEP 3



STEP 4

Remove the protective film from top board **5** and then connect the side panel **7** front panel **6**, and the drawer frame with panel **6** and **7** with dowels **C** and long screws **G** as shown.

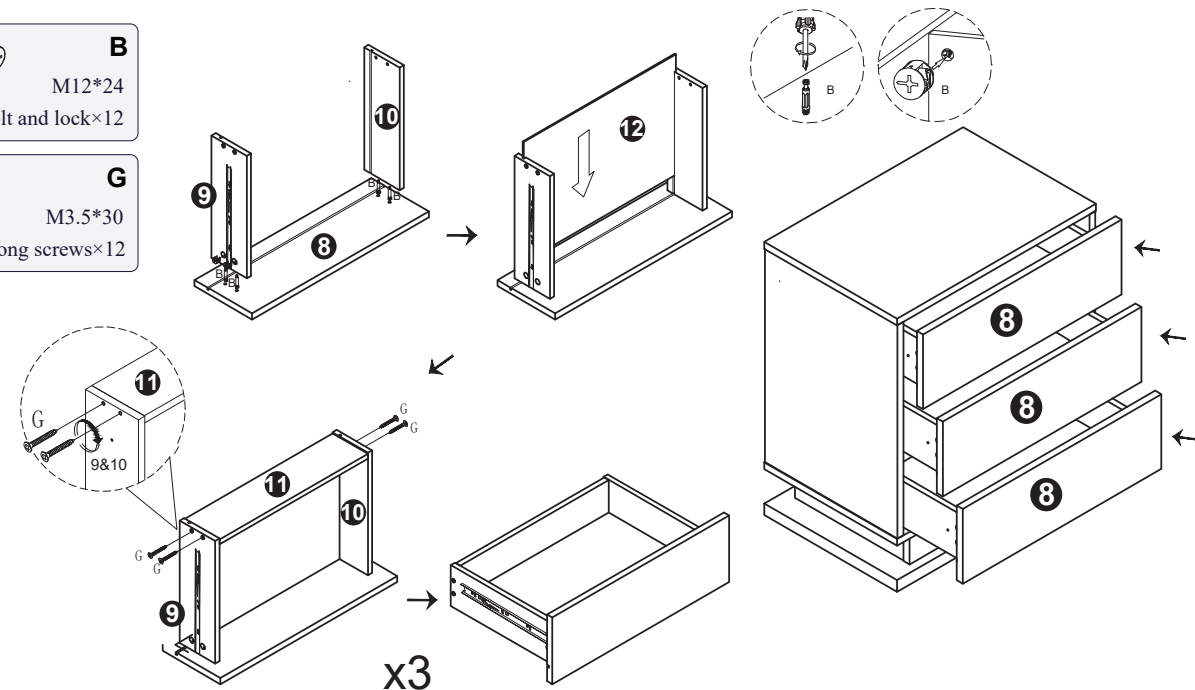
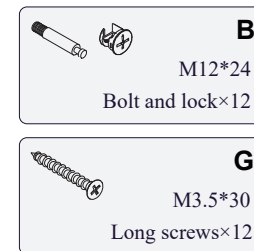
Tips: The film can easily be removed by heating with a hairdryer for a few minutes.



STEP 5

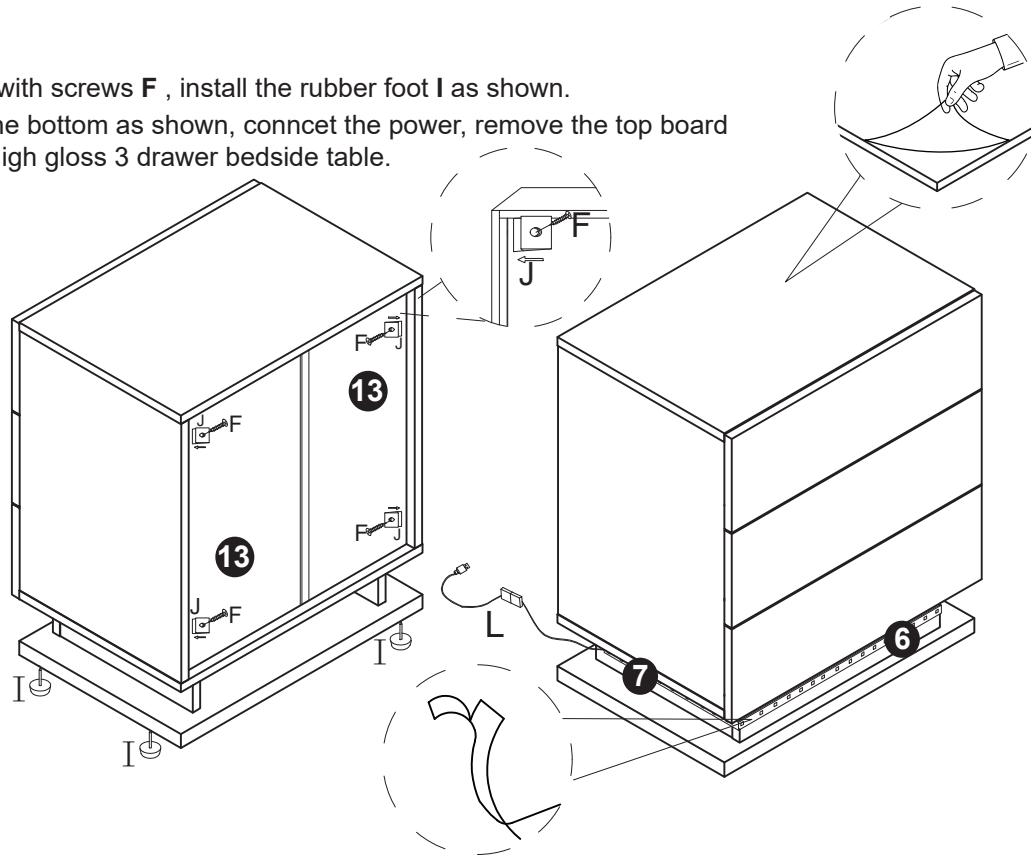
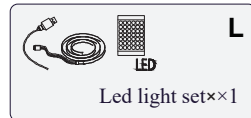
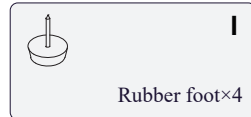
Then connect the drawer side panel **9** **10** and drawer front panel **8** with bolts and locks **B** as shown, then install all drawers into drawer frame by align with **D1** and **D2** completely.

Tips : make the drawer bottom board **12** perfectly into slot of side panel **9** and **10** will easy the installation.



STEP 6

Fix the back panel fastener **J** with screws **F**, install the rubber foot **I** as shown. Paste the led light strip onto the bottom as shown, connect the power, remove the top board protective film, you will get a high gloss 3 drawer bedside table.



Installation Diagram of Light Belt

