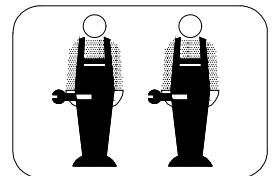
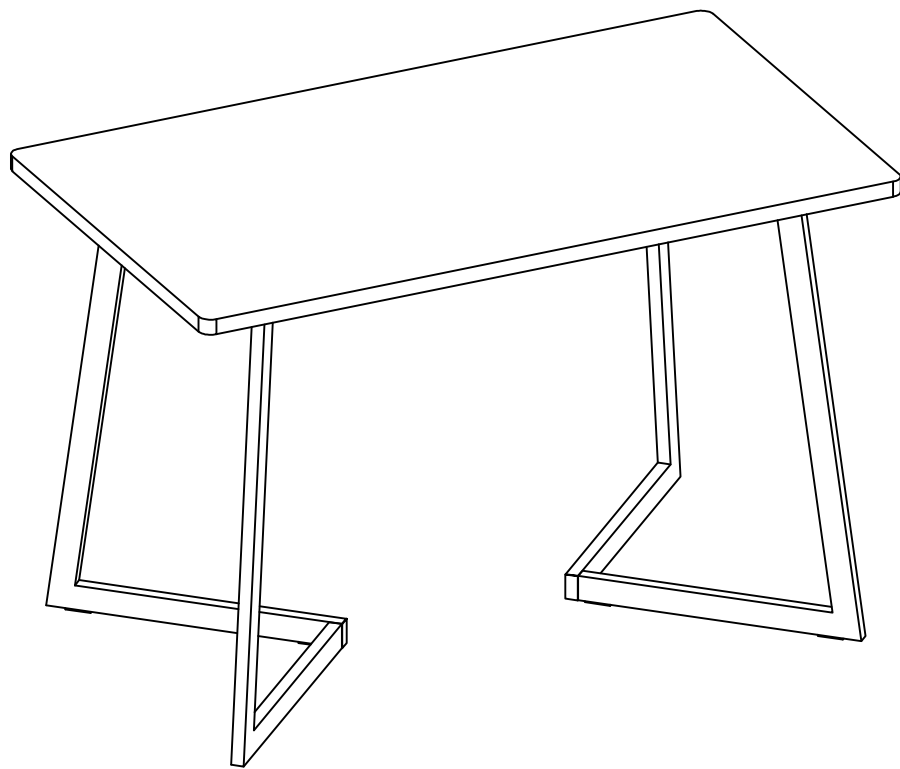
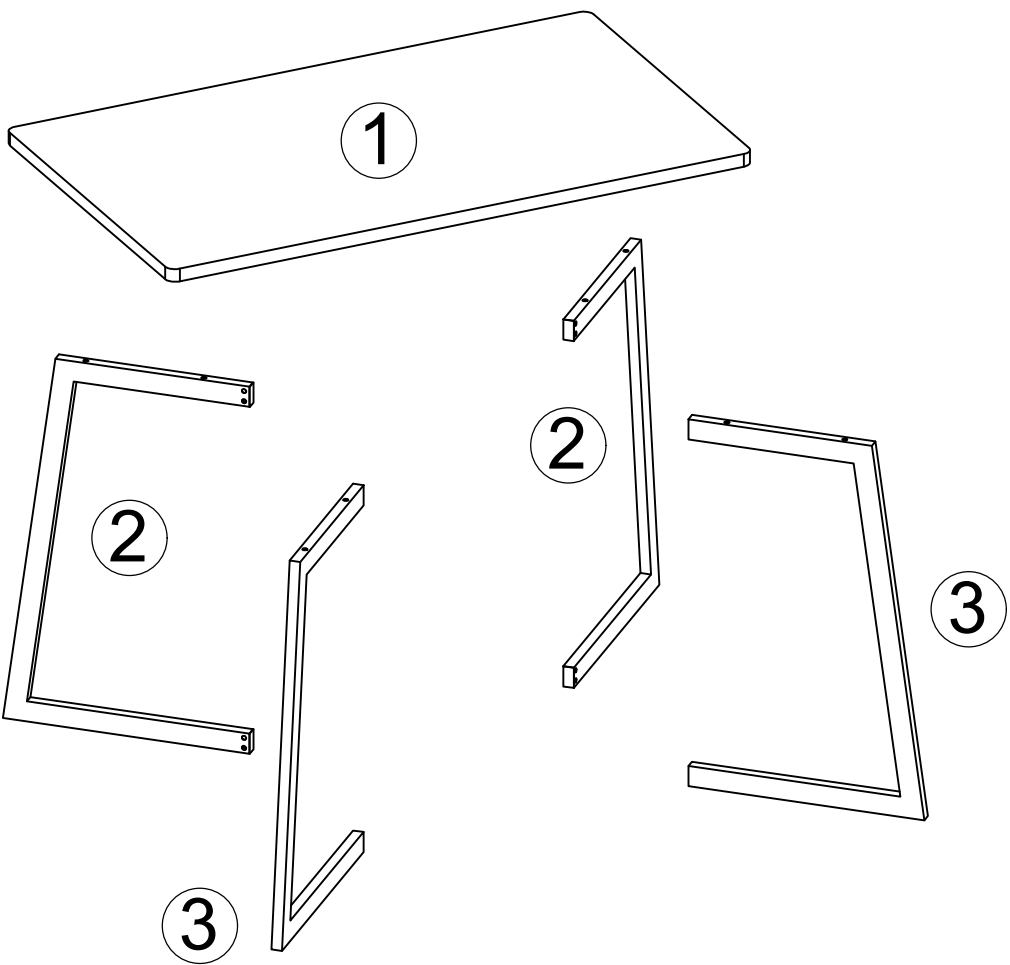


# ASSEMBLY INSTRUCTIONS

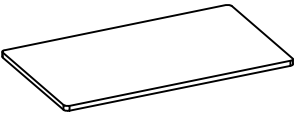


## MONTAGEANLEITUNGEN

WF313357AA0/AAS








Part List  
Stückliste

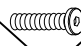
|   |   |  |
|---|---|--|
|  |  |  |
| ①×1pc   | ②×2pcs  | ③×2pcs   |

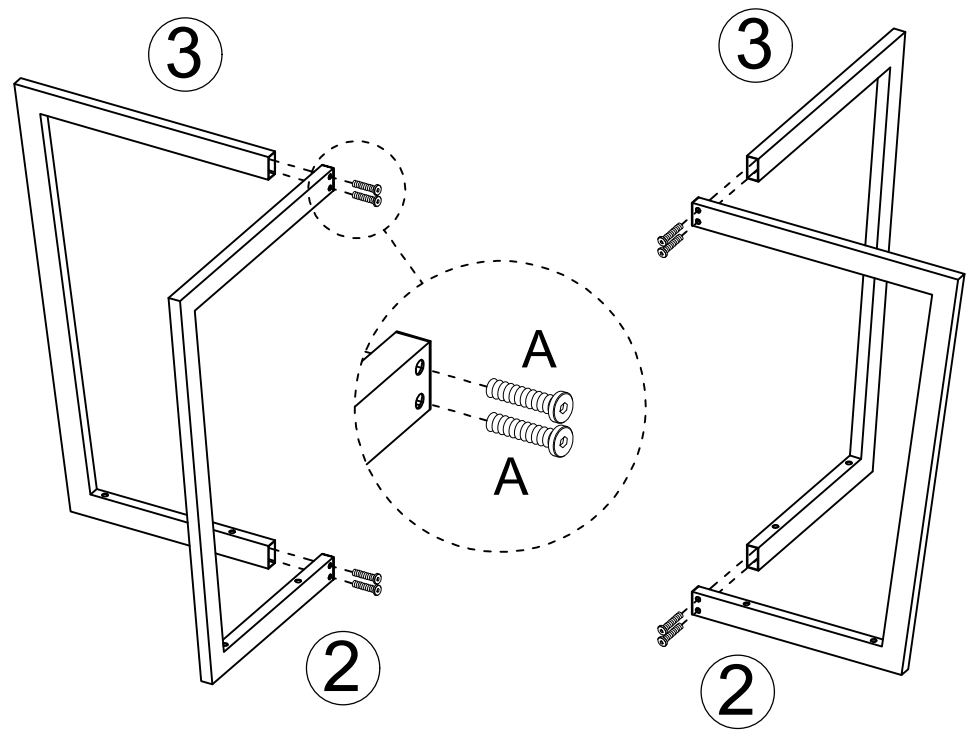
Hardware List  
Hardwareliste

|  |  |   |   |
|--|--|---|---|
| <br>M6×40mm | <br>M6×55mm |  |  |
| Ⓐ×8pcs   | Ⓑ×8pcs   | Ⓒ×8pcs  | Ⓓ×1pc   |


Step 1  
Schritt 1


  
M6×40mm  
Ⓐ ×8pcs

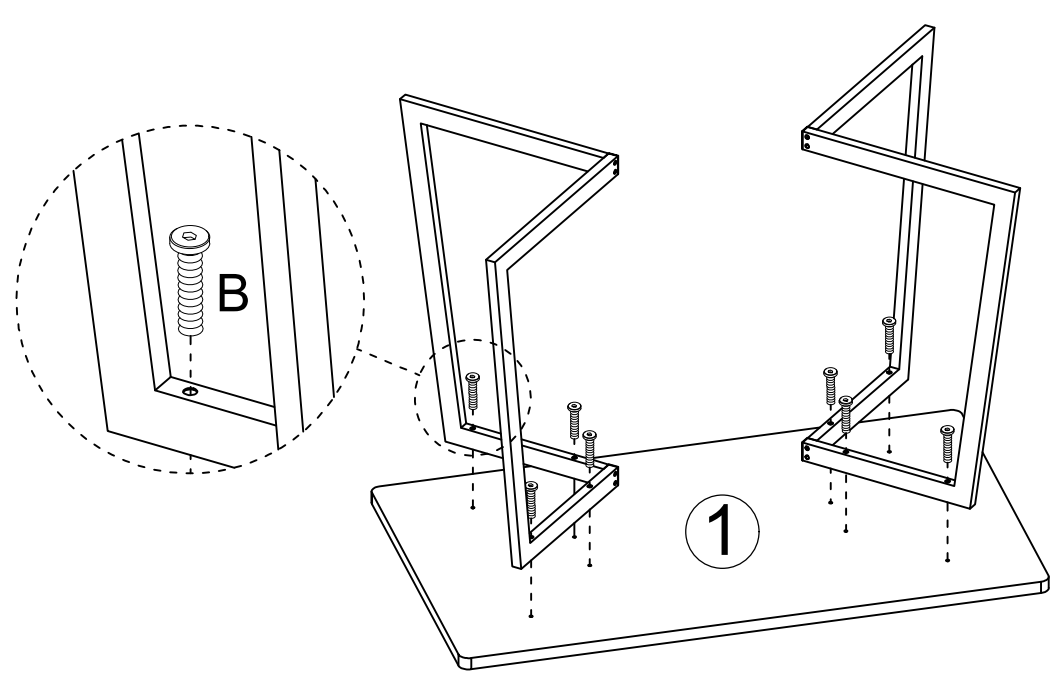
~~  
M6×55mm  
Ⓑ~~



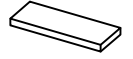
Step 2  
Schritt 2

  
M6×55mm  
Ⓑ ×8pcs

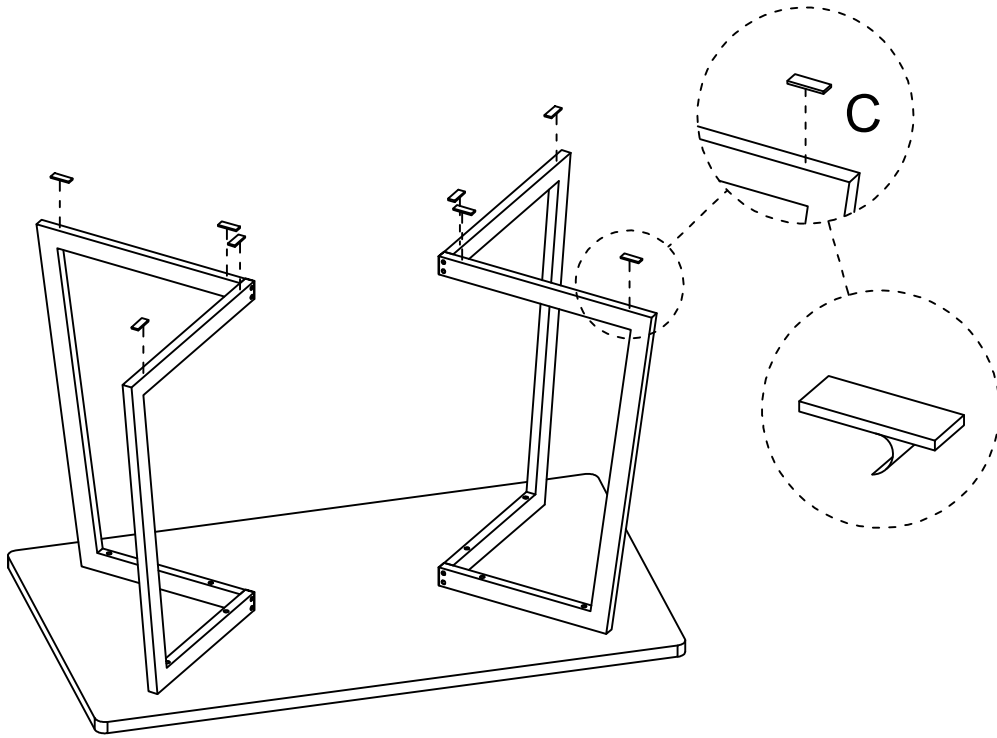
~~  
M6×40mm  
Ⓐ~~



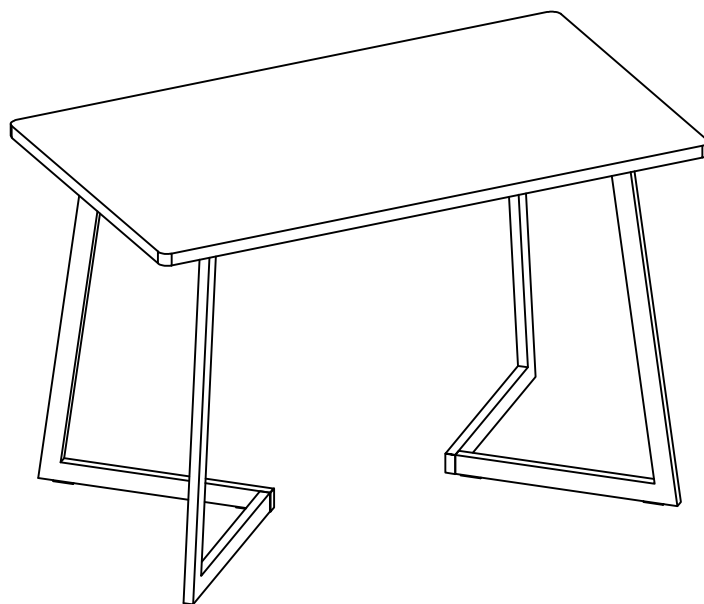
Step 3  
Schritt 3



C × 8pcs



Step 4  
Schritt 4



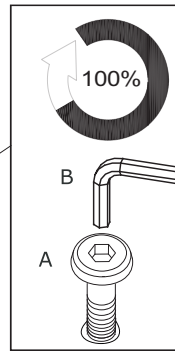
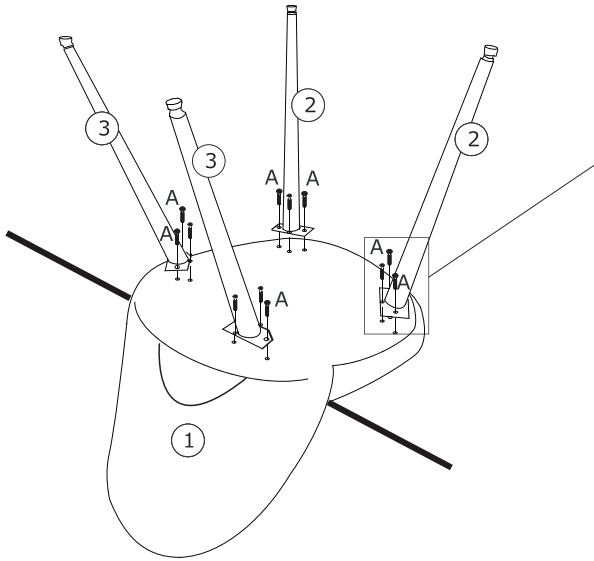
# WF313385

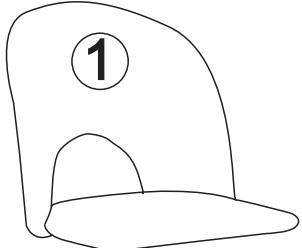
## ASSEMBLY INSTRUCTION

### INSTALLATIONSANLEITUNG


### INSTRUCTIONS D'INSTALLATION

|                |   |   |
|----------------|---|---|
| ELEMENTS/PARTS | Ax12<br><br><b>M6X25mm</b> | Bx1<br><br><b>M6</b> |
|----------------|---|---|

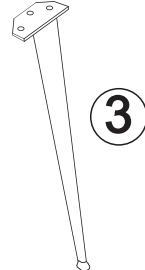




**1**



**2**



**3**

Front Legs x2  
Die Vorderbeine des Stuhls x2  
Les pattes avant de la chaise x2

Back Legs x2  
Die Hinterbeine des Stuhls x2  
Pieds arrière de la chaise x2

