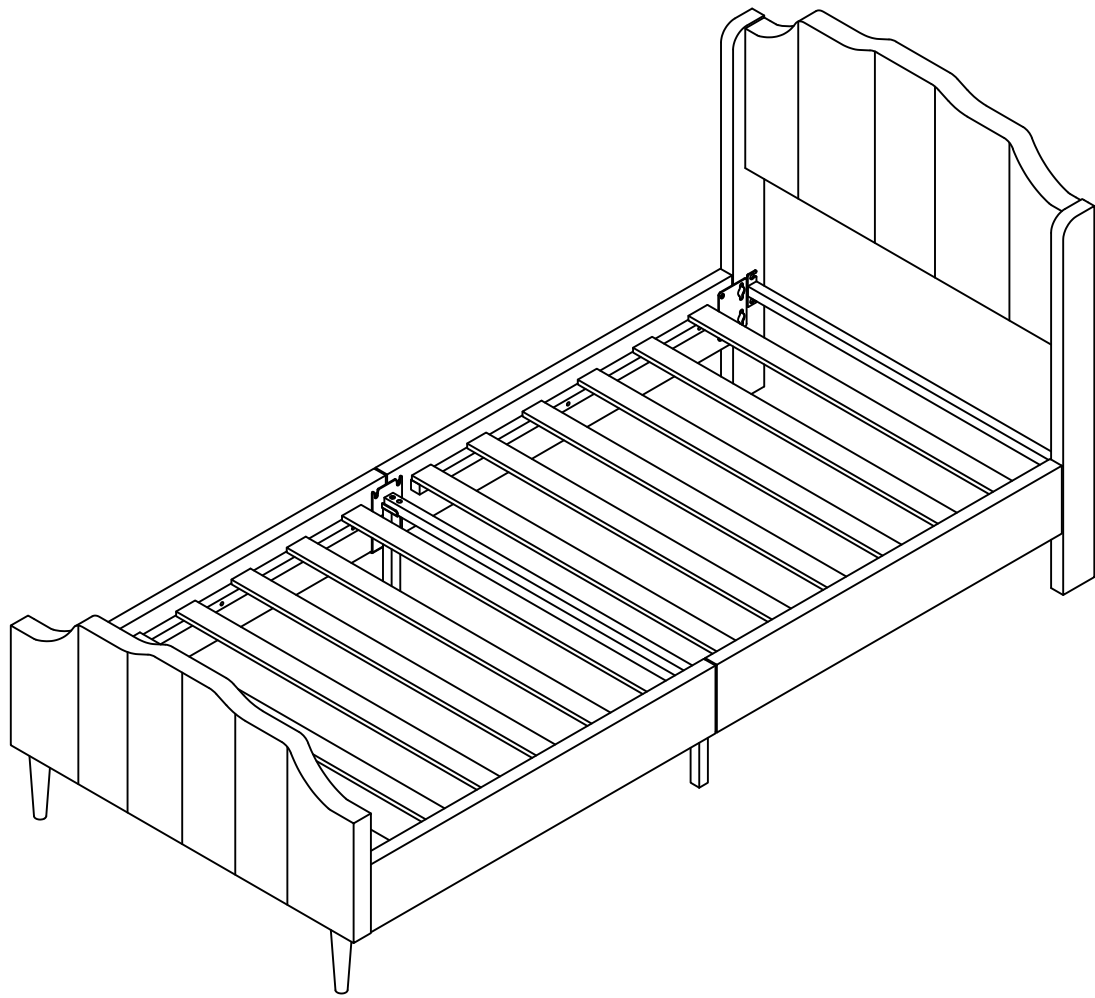
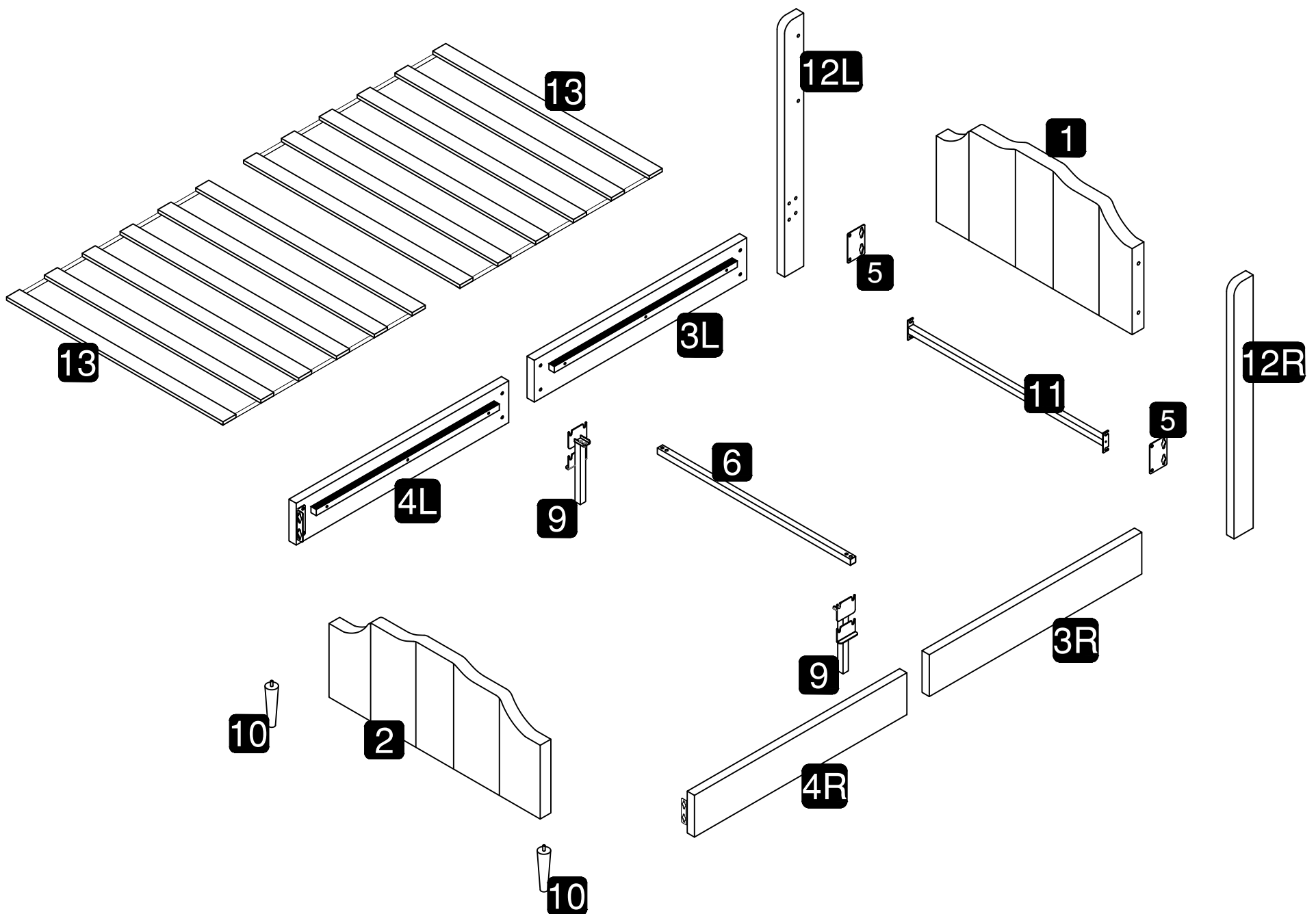


# ASSEMBLY INSTRUCTION

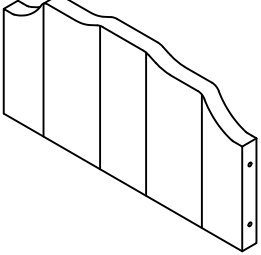
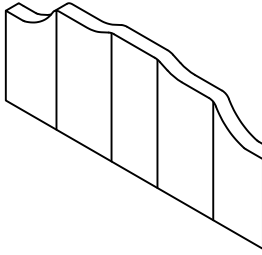
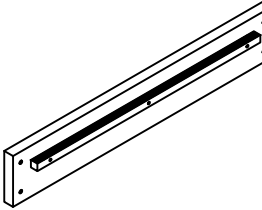
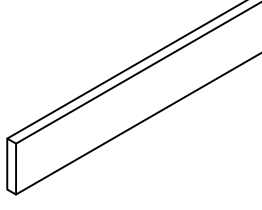
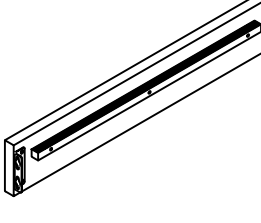
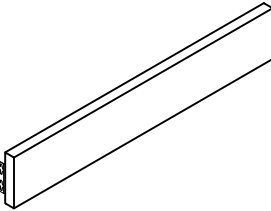

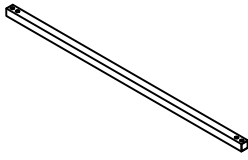


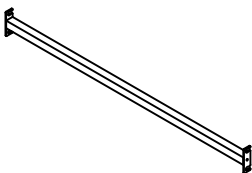

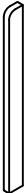
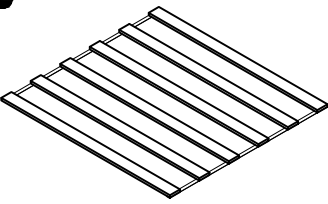


## TIPS


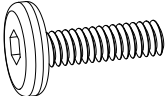
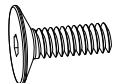


1. Please read the instructions fully before assembly. These instructions include important information which could ensure correct assembly. We have been working on providing high quality products for you. However, in the rare instance that your product is defective, missing parts or there are some issues, please don't hesitate to contact our customer service to submit parts requirements, assembly suggestion, or warranty claims, and we will give the best solution as soon as possible. If necessary, we need you to provide some more clear pictures of the issue.
2. Insert the screws in holes and tighten the screws, but not too tight, 70%~80% is ok, finally tighten all the screws. If some issues happened that some screws can not target to the hole or some parts are difficult to install, please adjust the tightness of the screws.
3. 2 people are recommended to finish.



# Part List WF310075

<p><b>1</b></p>  <p>Headboard X1</p>	<p><b>2</b></p>  <p>Footboard X1</p>	<p><b>3L</b></p>  <p>Side Rails (LH) X1</p>	<p><b>3R</b></p>  <p>Side Rails (RH) X1</p>	<p><b>4L</b></p>  <p>Side Rails (LH) X1</p>
<p><b>4R</b></p>  <p>Side Rails (RH) X1</p>	<p><b>5</b></p>  <p>Iron Sheet X2</p>	<p><b>6</b></p>  <p>Cross bar X1</p>	<p><b>9</b></p>  <p>Side rails support legs X2</p>	<p><b>10</b></p>  <p>Legs X2</p>
<p><b>11</b></p>  <p>Head board cross bar X1</p>	<p><b>12L</b></p>  <p>Headboard wing leg (LH) X1</p>	<p><b>12R</b></p>  <p>Headboard wing leg (RH) X1</p>	<p><b>13</b></p>  <p>Slats X2</p>	

# Hardware List WF310075


<p><b>A</b></p>  <p>Bolts(M8x35mm) X8</p>	<p><b>B</b></p>  <p>Bolts(M8x25mm) X20</p>	<p><b>C</b></p>  <p>Bolts(M8x18mm) X4</p>	<p><b>D</b></p>  <p>Flat Washer X8</p>	<p><b>E</b></p>  <p>Allen Key X1</p>
--	---	---	---	---

**Attention: Do not tighten the screws before completing the entire installation. If you have any difficulty with the installation process, please feel free to contact us.**

## Step 1

**A**  ×4

**C**  ×4

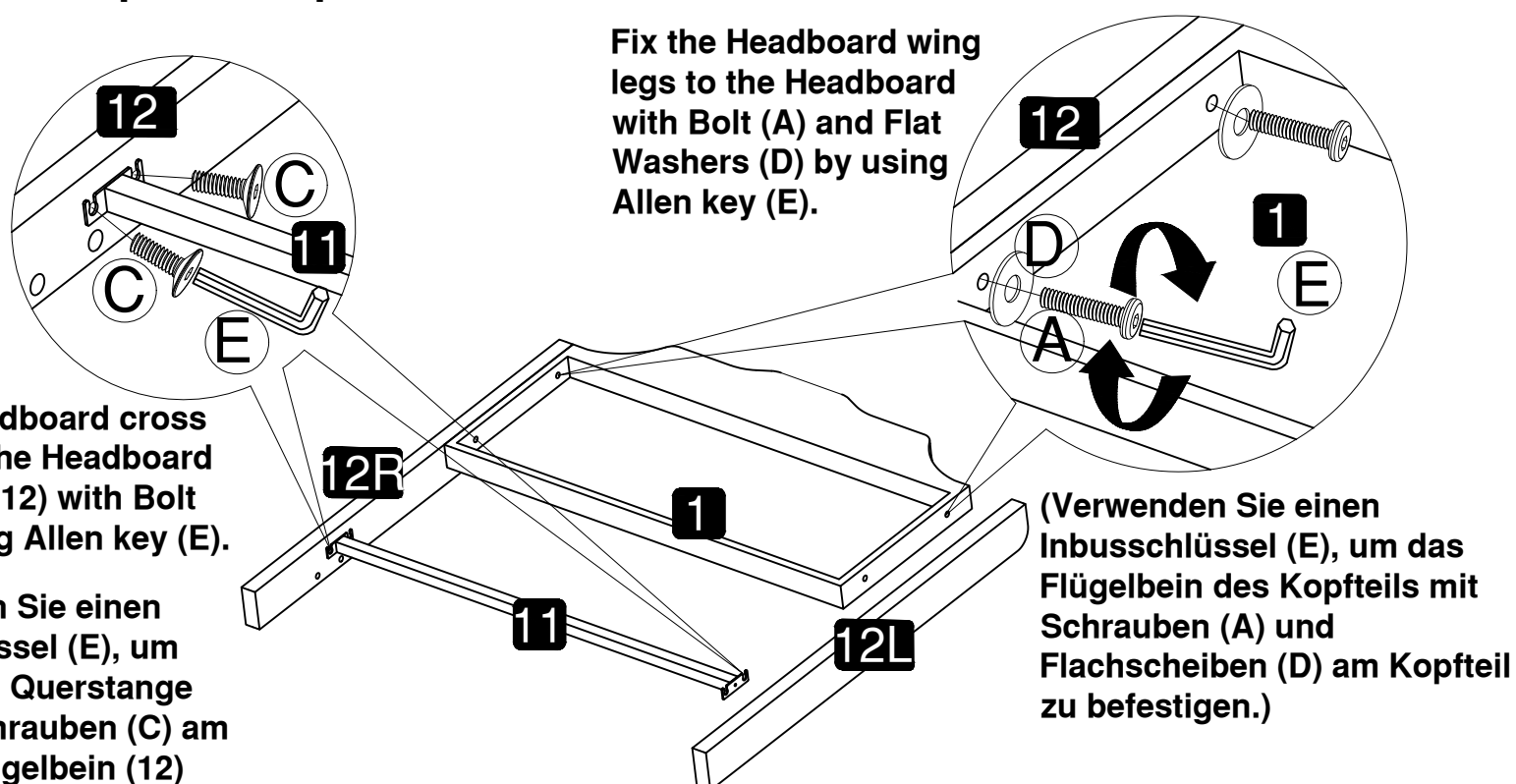
**D**  ×4

**E**  ×1

Fix the Headboard cross bar (11) to the Headboard Wing legs (12) with Bolt (C) by using Allen key (E).

(Verwenden Sie einen Inbusschlüssel (E), um die Kopfteil Querstange (11) mit Schrauben (C) am Kopfteil Flügelbein (12) zu befestigen.)

Fix the Headboard wing legs to the Headboard with Bolt (A) and Flat Washers (D) by using Allen key (E).

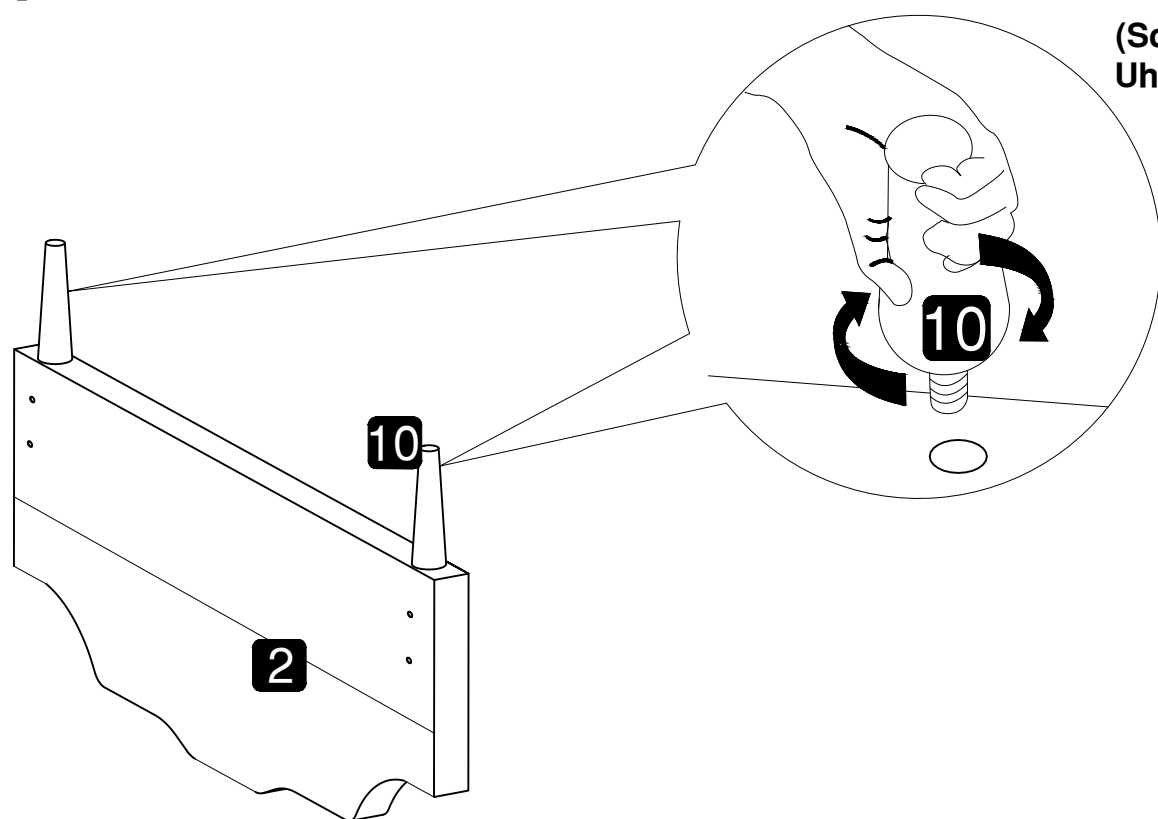


(Verwenden Sie einen Inbusschlüssel (E), um das Flügelbein des Kopfteils mit Schrauben (A) und Flachscheiben (D) am Kopfteil zu befestigen.)

## Step 2

Screw the legs (10) clockwise onto the footboard (2).

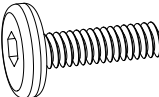
(Schrauben Sie das Bein (10) im Uhrzeigersinn auf das Pedal (2).)



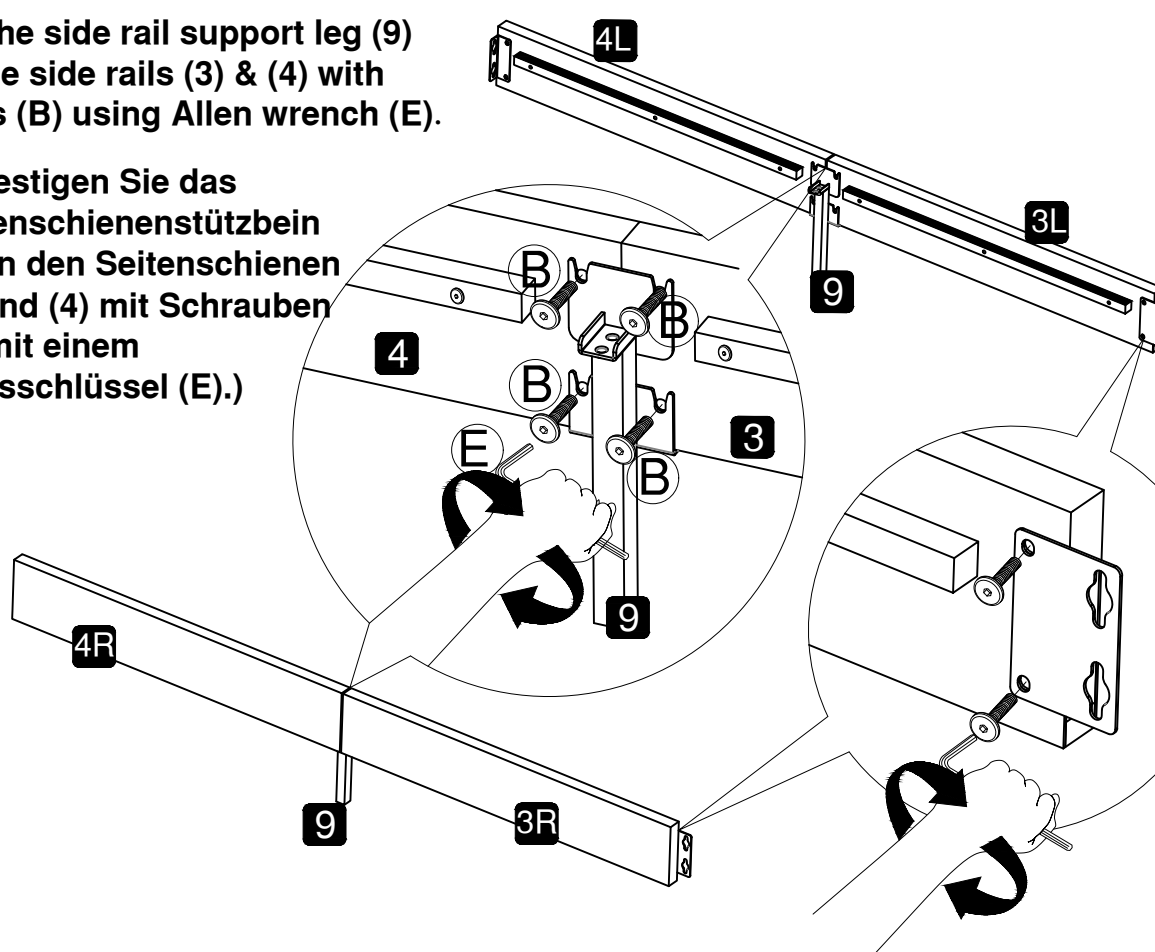
## Step 3

Fix the side rail support leg (9) to the side rails (3) & (4) with bolts (B) using Allen wrench (E).

(Befestigen Sie das Seitenschienestützbein (9) an den Seitenschiene (3) und (4) mit Schrauben (B) mit einem Inbusschlüssel (E).)

**B**  ×12

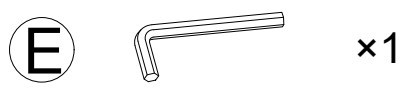
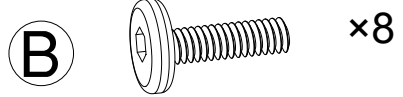
**E**  ×1



Use Hex key (E) and bolt (B) to fix the iron sheet (5) to the side beam (3).

(Verwenden Sie Sechskantschlüssel (E) und Bolzen (B), um das Eisenblech (5) am Seitenträger (3) zu befestigen.)

## Step 4

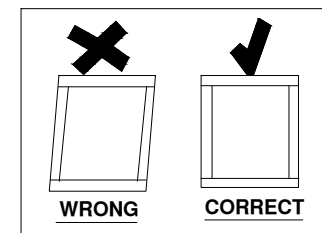
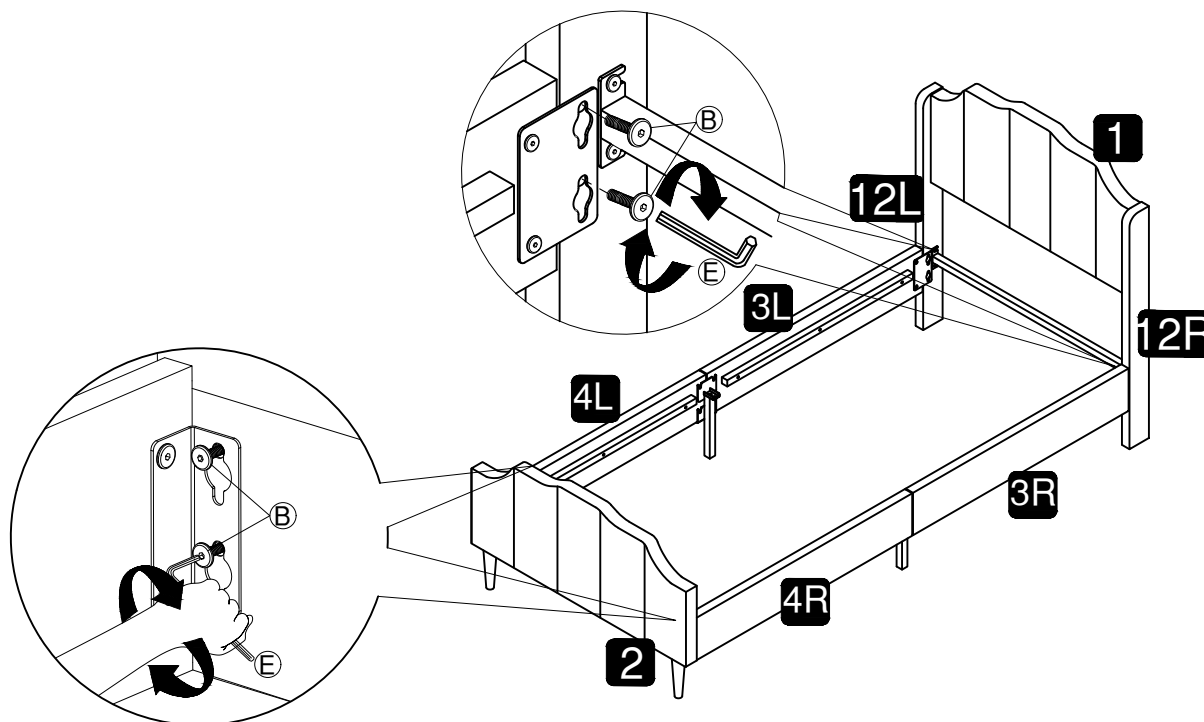


Fix the assembled side member (4) to the footboard (2) with bolts (B) using an Allen wrench (E).

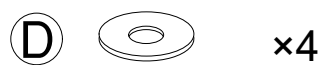
(Befestigen Sie das montierte Seitenteil (4) mit Schrauben (B) am Pedal (2) mit einem Inbusschlüssel (E).)

Fix the assembled side beam (3) to the wing leg (12) of headboard with bolts (B) using Allen wrench (E).

(Befestigen Sie den montierten Seitenträger (3) mit Schrauben (B) mit einem Inbusschlüssel (E) am Flügelbein (12) des Kopfteils.)

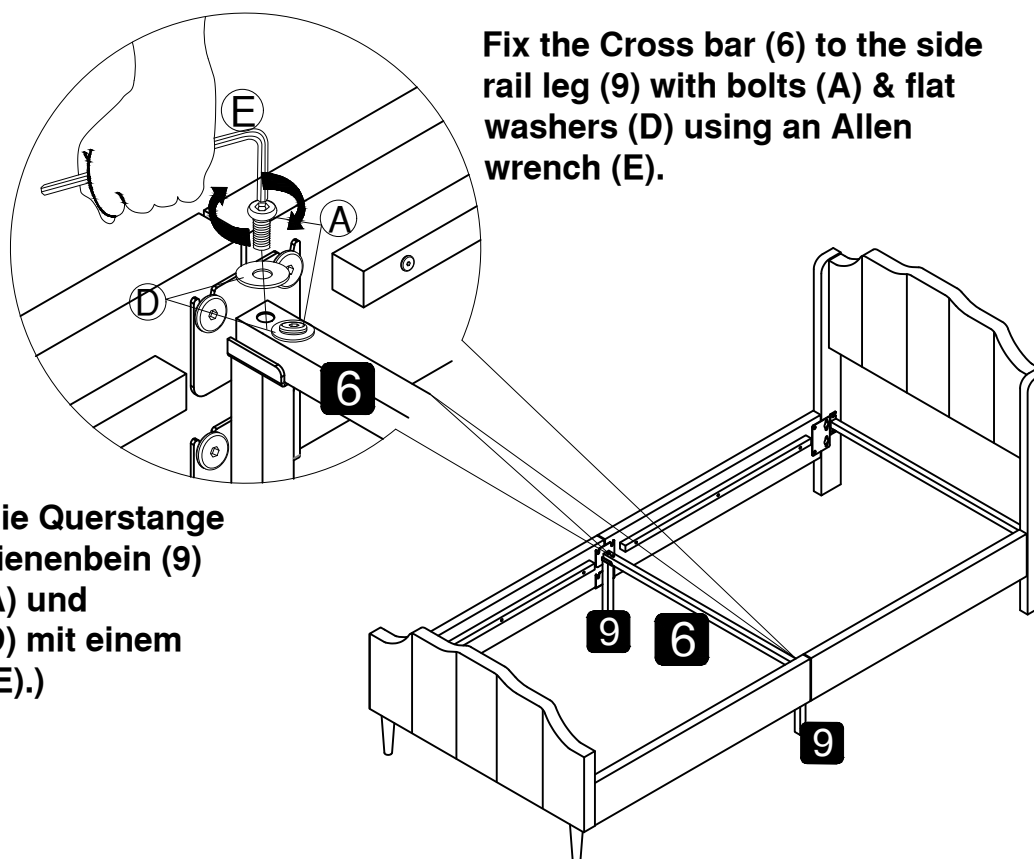


## Step 5

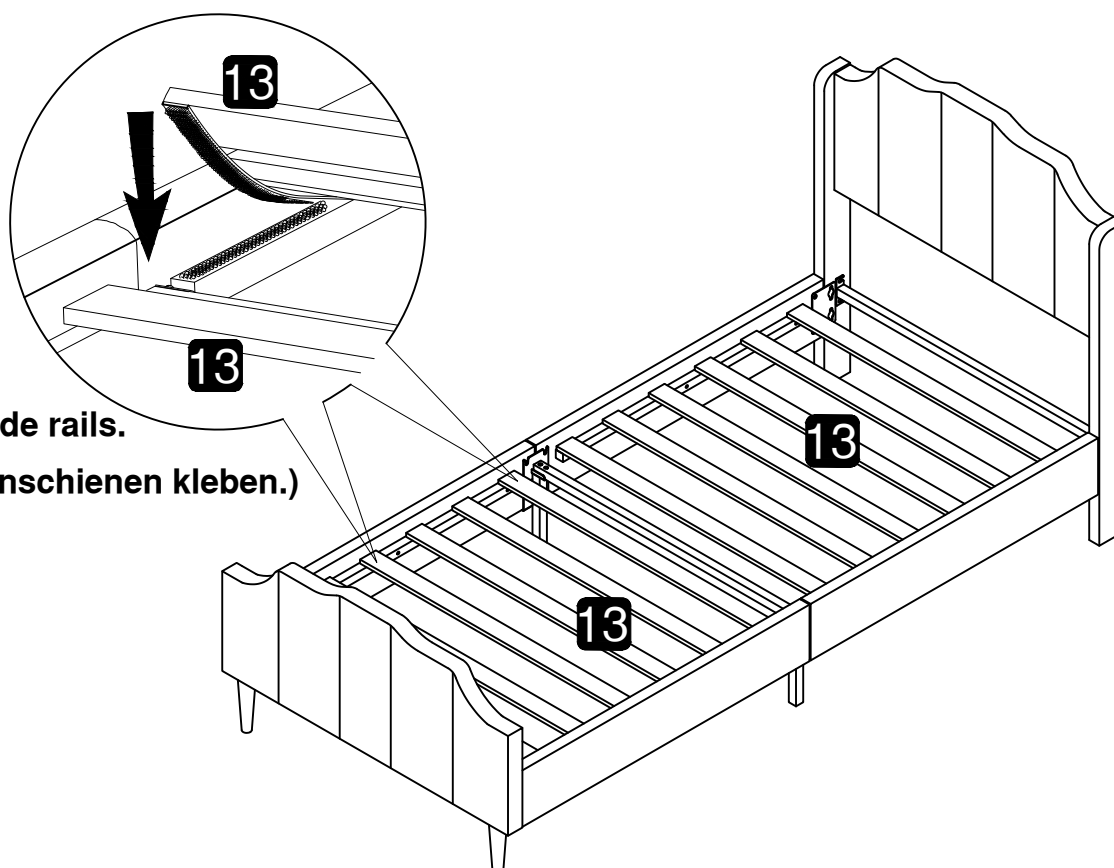


Fix the Cross bar (6) to the side rail leg (9) with bolts (A) & flat washers (D) using an Allen wrench (E).

(Befestigen Sie die Querstange (6) am Seitenschienebein (9) mit Schrauben (A) und Flachscheiben (D) mit einem Inbusschlüssel (E).)



## Step 7



Paste slats (13) onto side rails.  
(Lamellen (13) auf Seitenschiene kleben.)