

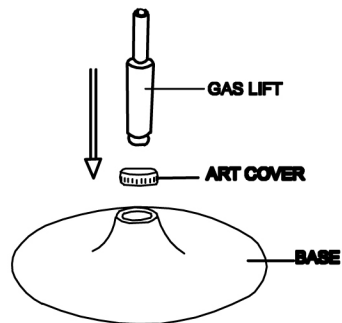
# BARSTOOL

# ASSEMBLY INSTRUCTION

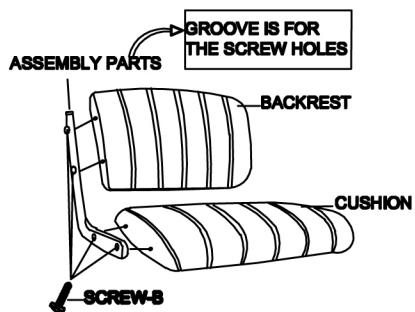
## ▽ PARTS\*QTY

### ▽ ASSEMBLY PROGRAM

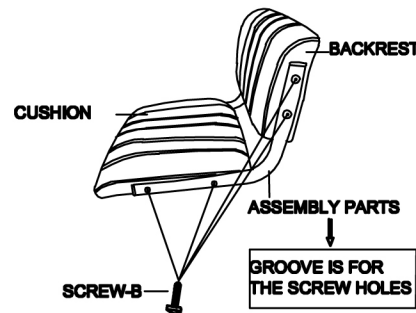
#### STEP1



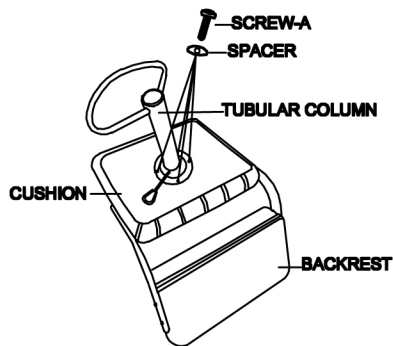
#### STEP2



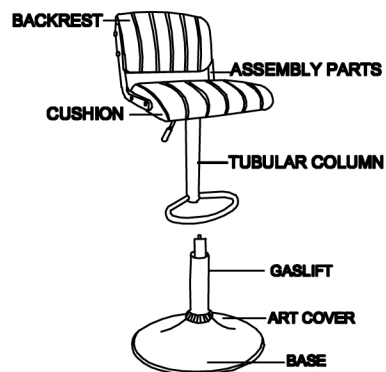
#### STEP3



#### STEP4













#### STEP5



#### FINISH



BACKRESTX1 	SCREW-B(M6X25mm)X8 
CUSHIONX1 	SPACER(M6X16mm)X4 
ASSEMBLY PARTSX1 	SPANNERX1 
TUBULAR COLUMNX1 	
BASEX1 	
GAS LIFTX1 	
ART COVERX1 	
SCREW-A(M6X16mm)X4 