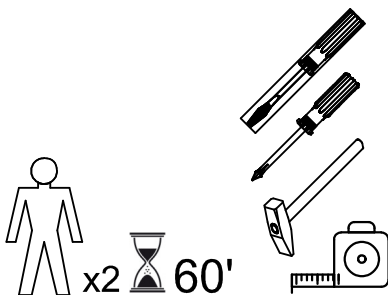
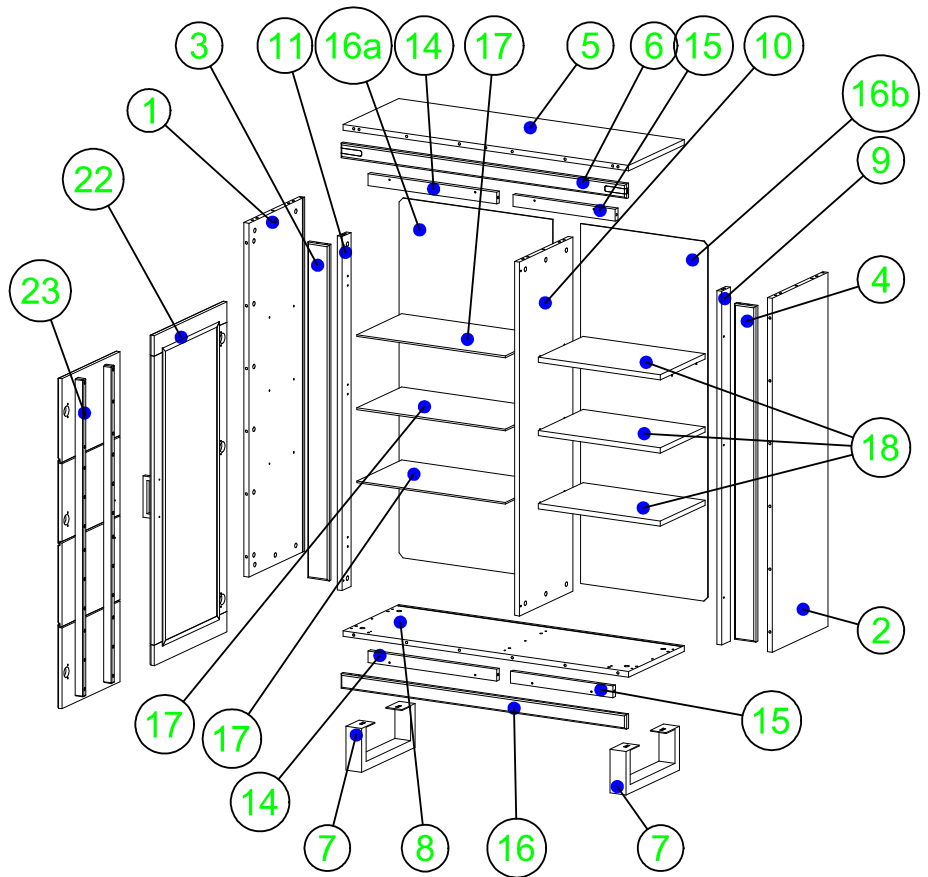
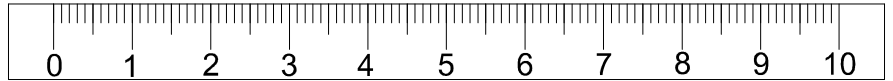


# 2342

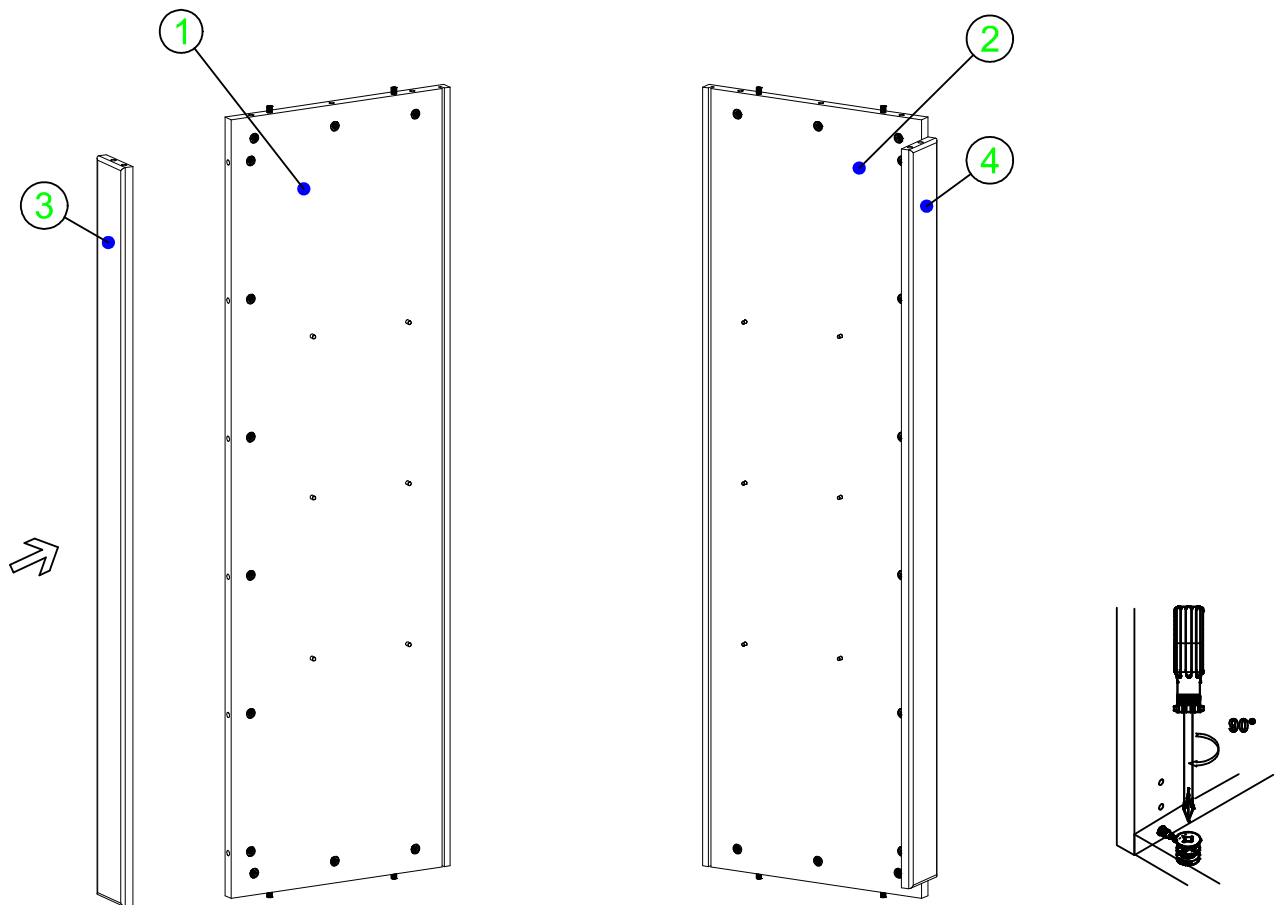
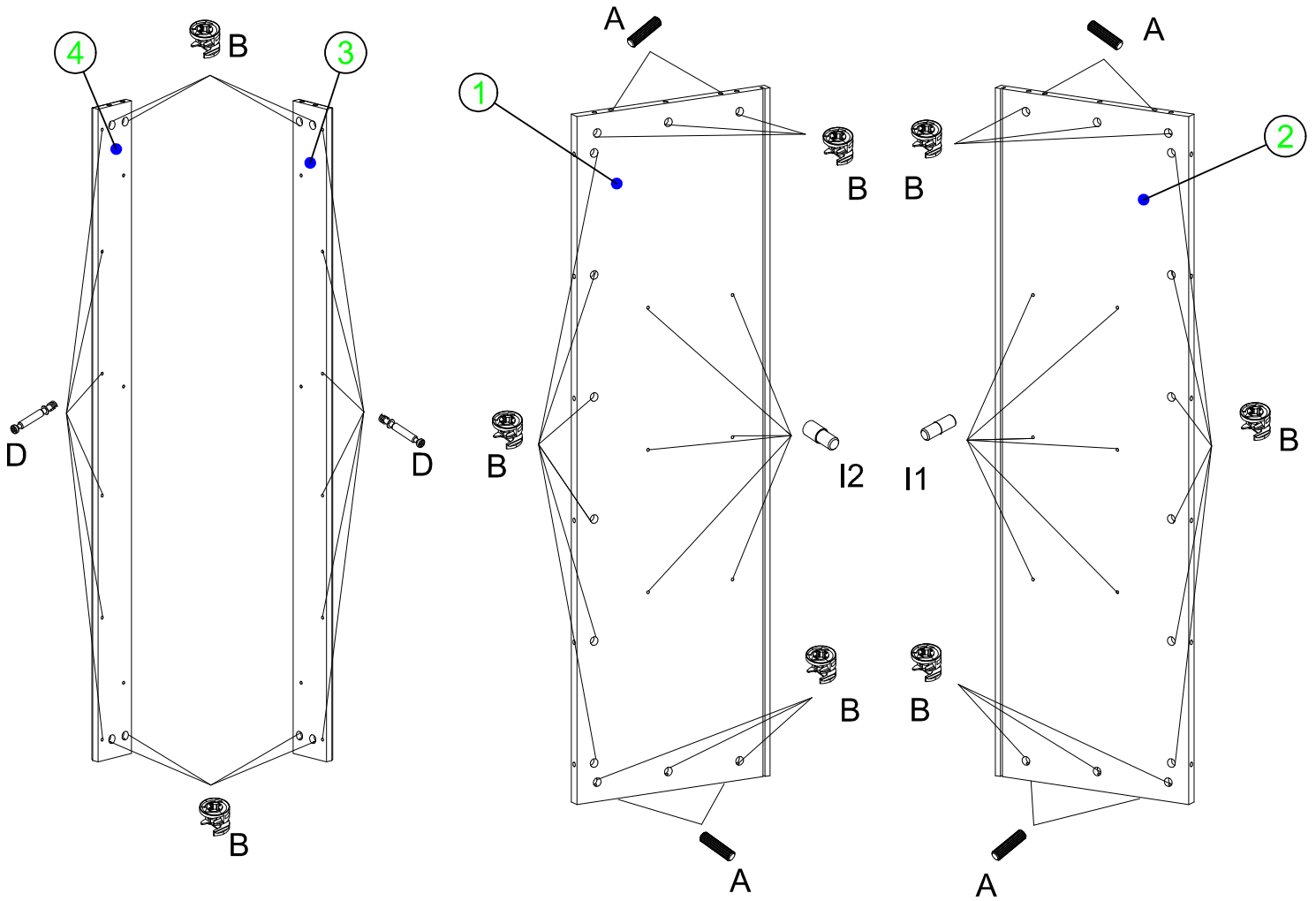
Versionsnummer:  
Version number:  
Numer wersji:

09.2020

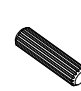

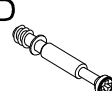


Naturholz kann sich werkstoffbedingt verziehen. Durch das Montieren ziehen sich Teile wieder plan.  
Wood is a natural material and can be distorted. However, when the furniture is assembled, the parts straighten out.  
Drewno jest surowcem naturalnym i może ulec wypaczeniu. Jednakże, po zmontowaniu mebla w całość części wyprostowują się.

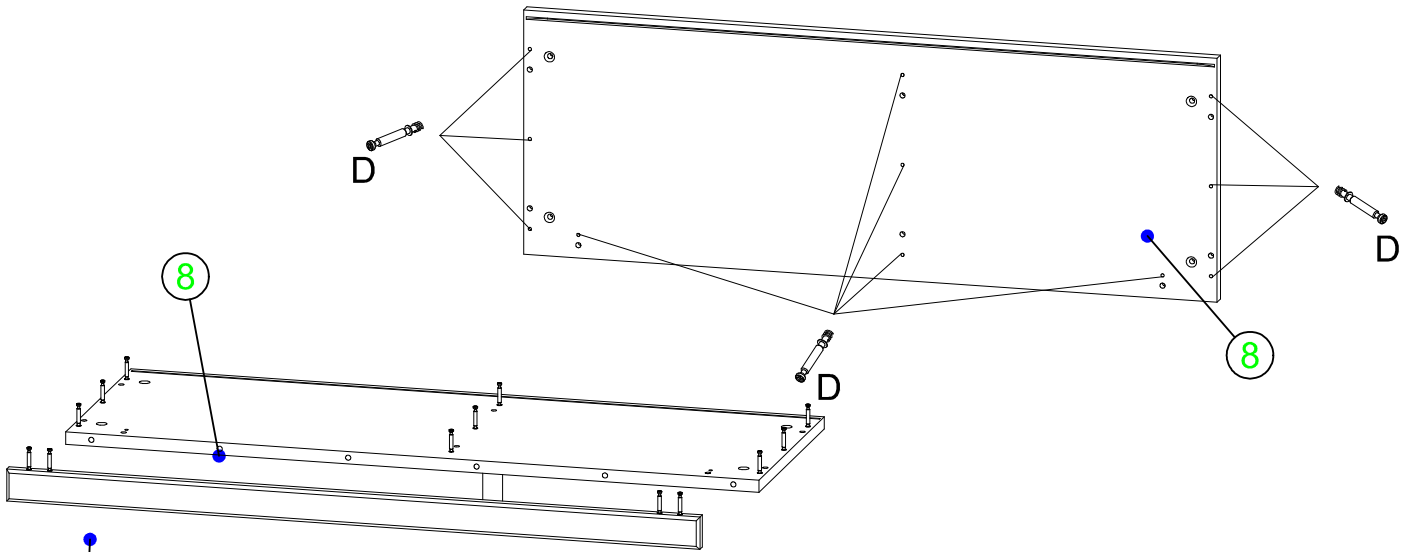
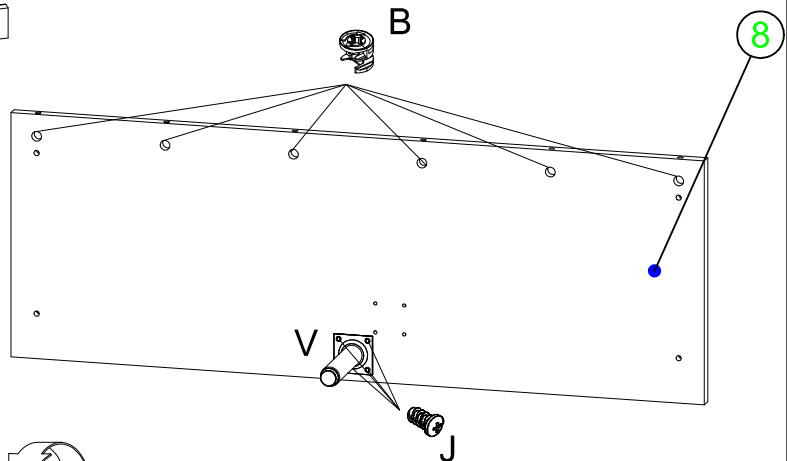
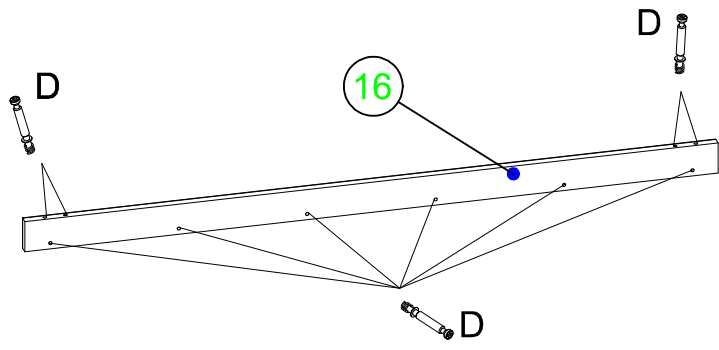


A  Ø 8x30 19	B  58	D  58	D1  4/4	E  Ø 6.3x13 6	F  6	G  Ø 4x30 8	H  8	I2  12
J  Ø 5x13 28	K  6	M  2	R  M4x30 4	P/N  16 8	V  1	Filz/Filc  4	S  4	U  2

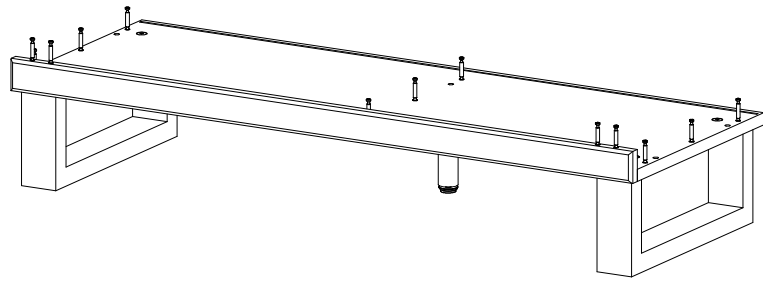
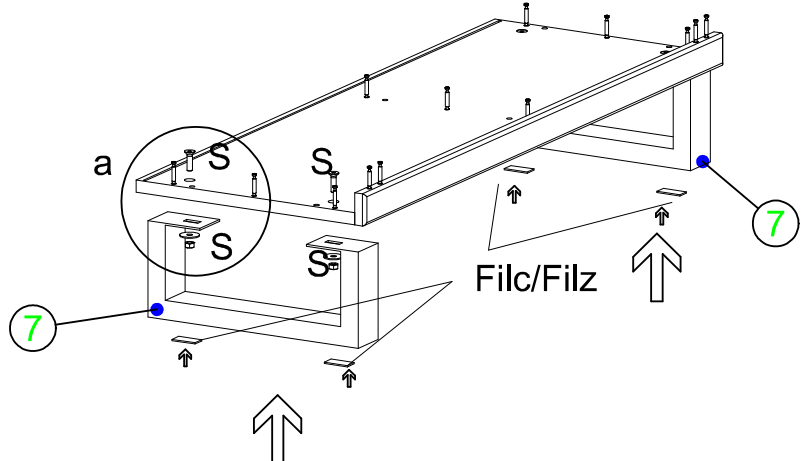
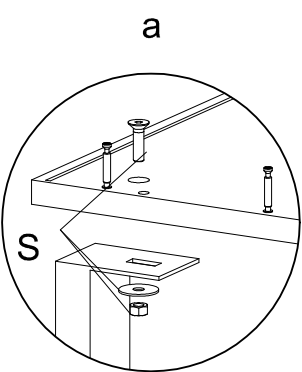




I


<p>A</p>  <p>∅ 8x30 8</p>	<p>B</p>  <p>32</p>	<p>D</p>  <p>12</p>	<p>I2</p>  <p>6</p> <p>I1</p>  <p>6</p>
-------------------------------------------------------------------------------------------------------------------	----------------------------------------------------------------------------------------------------------	----------------------------------------------------------------------------------------------------------	-------------------------------------------------------------------------------------------------------------------------------------------------------------------------------------------------------------------

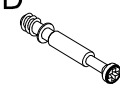



16

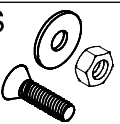


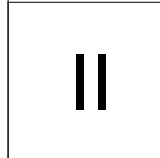
J	V
	
Ø 5x13 4	1

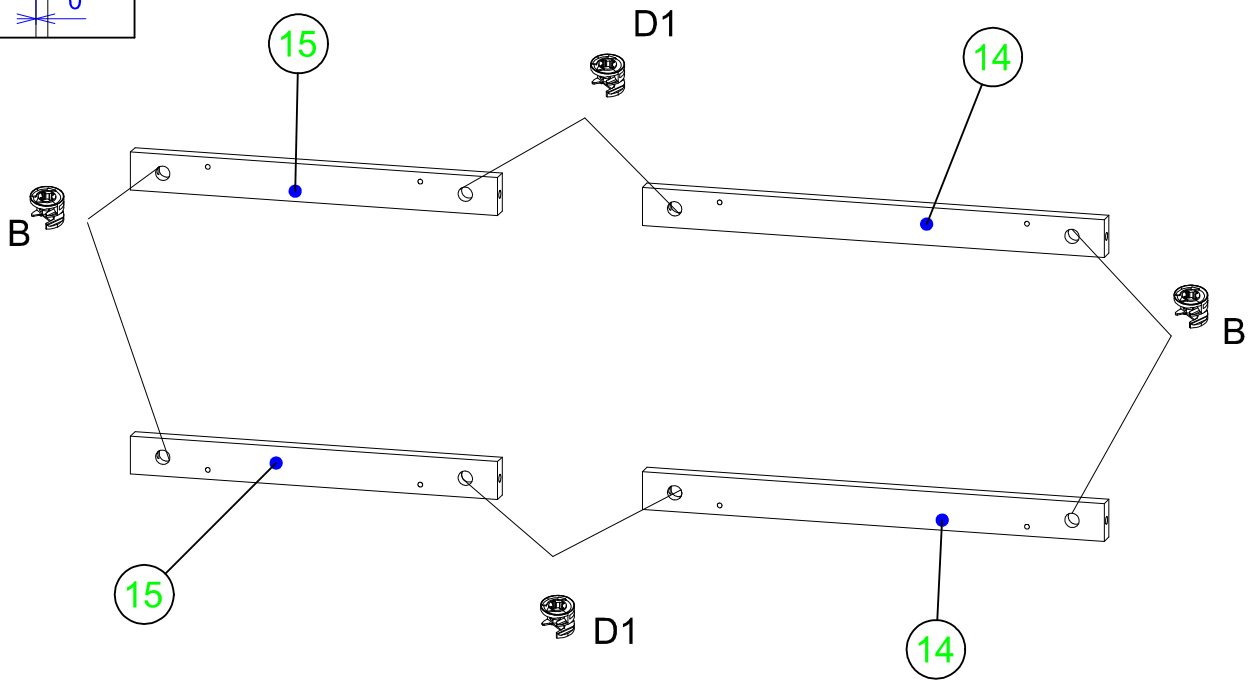
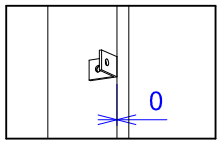
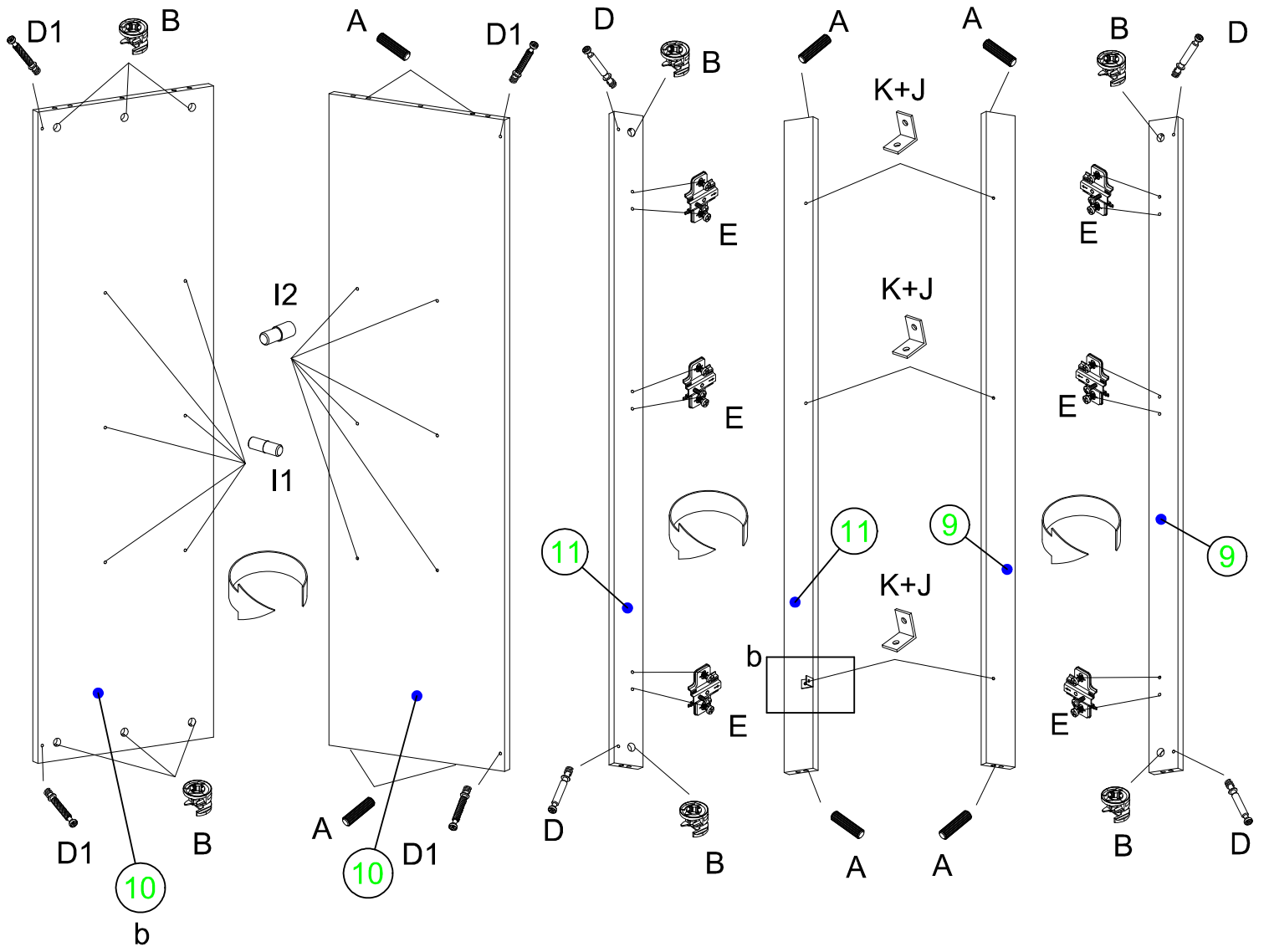
B

6



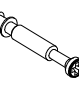

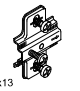



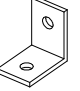
D

21

Filc / Filz

4

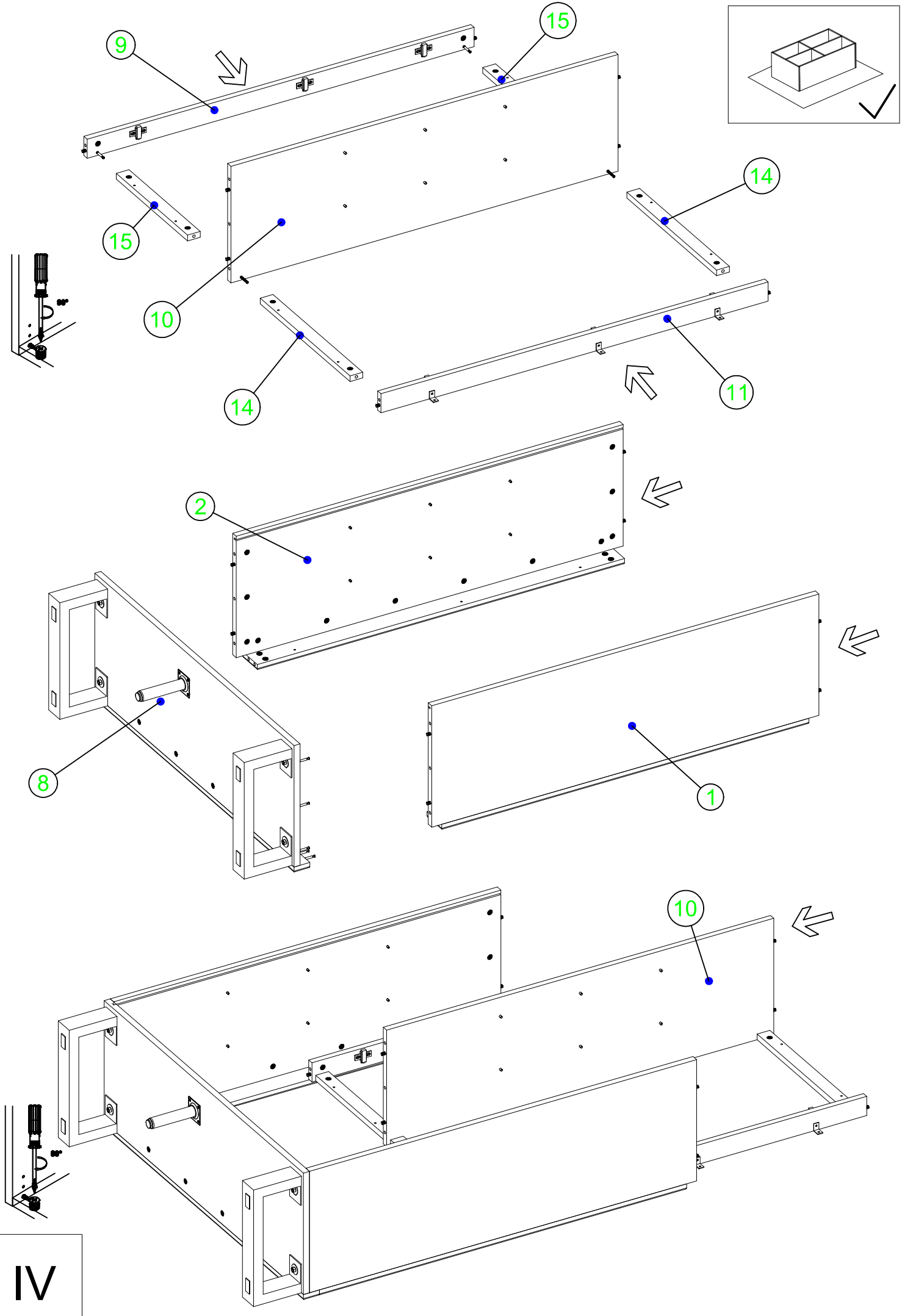
S

4



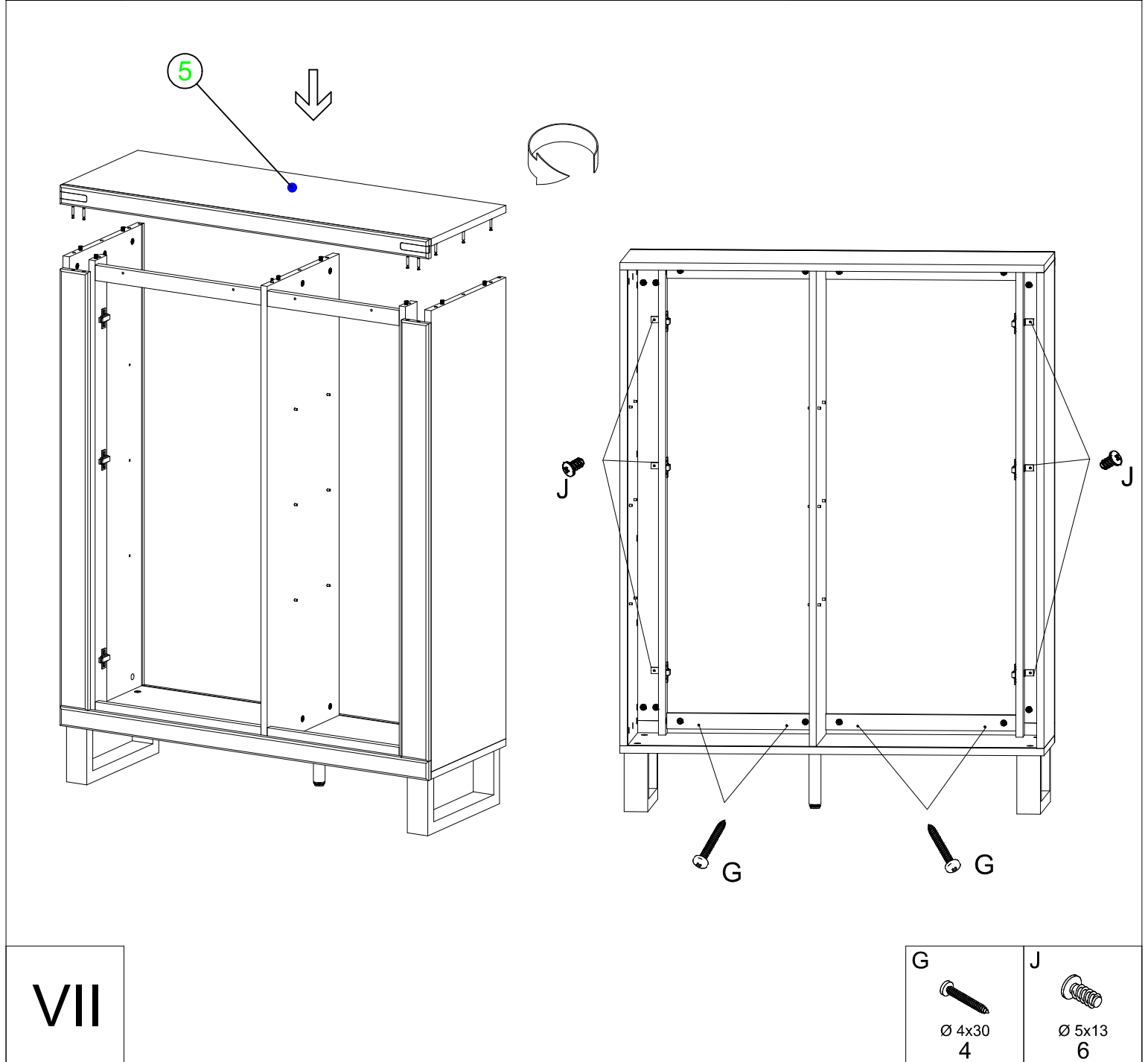
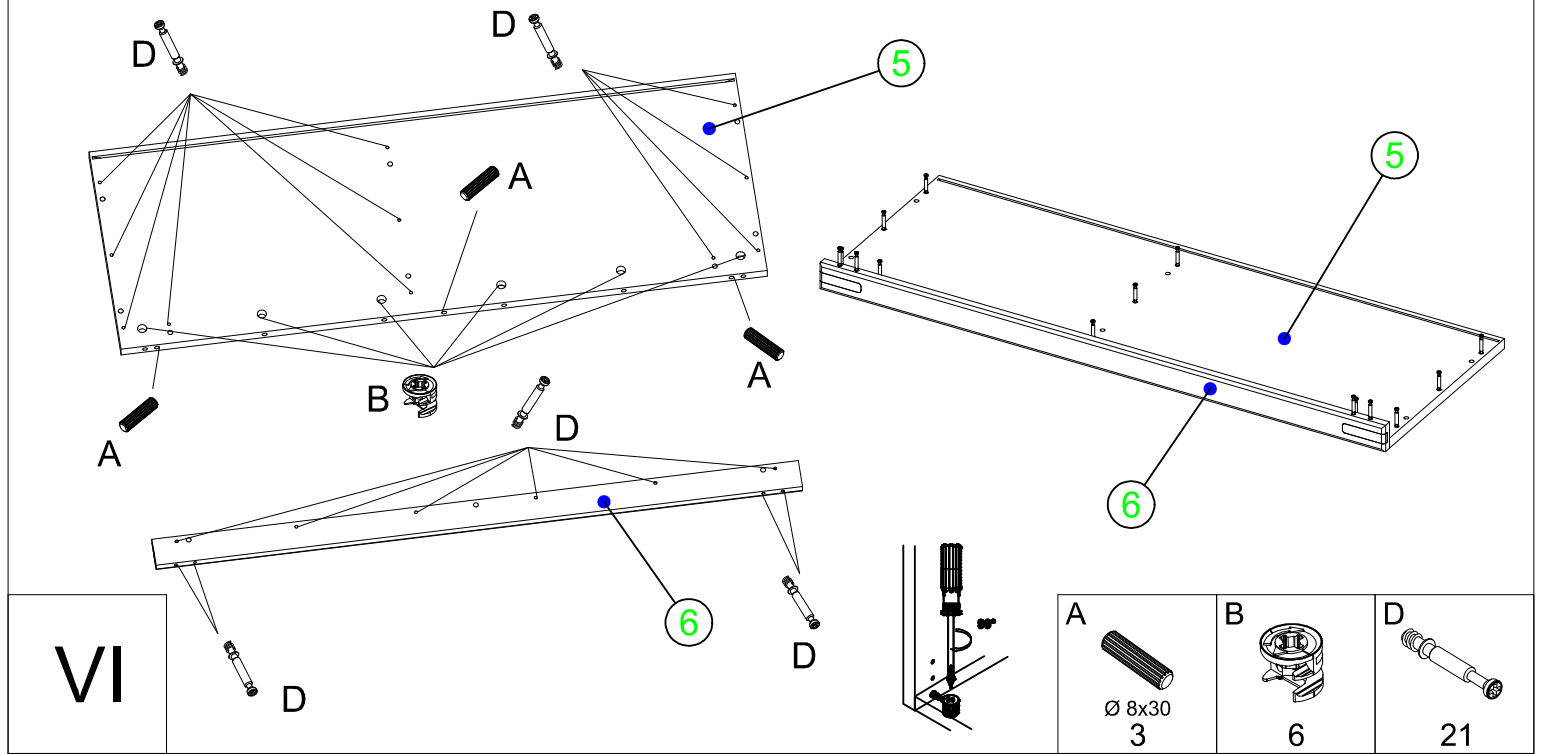


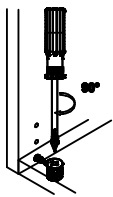
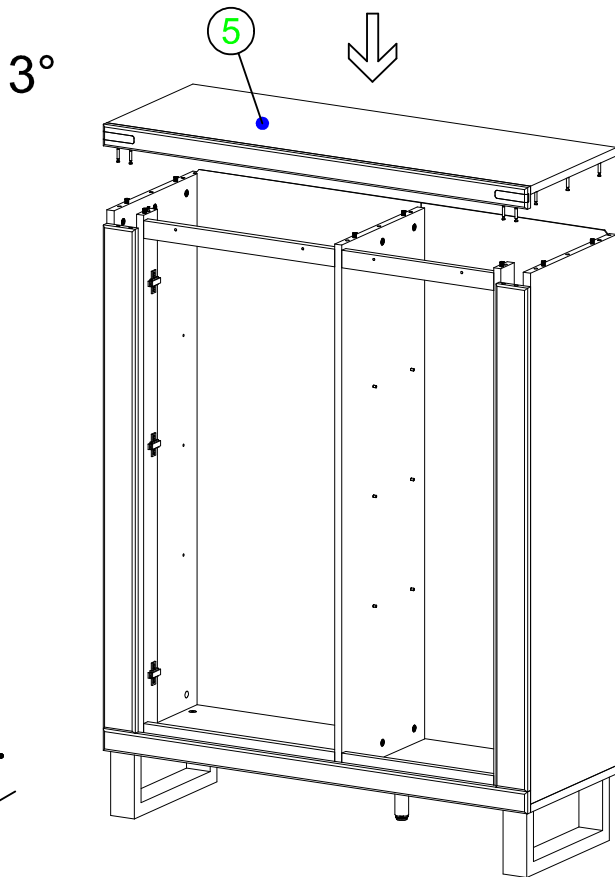
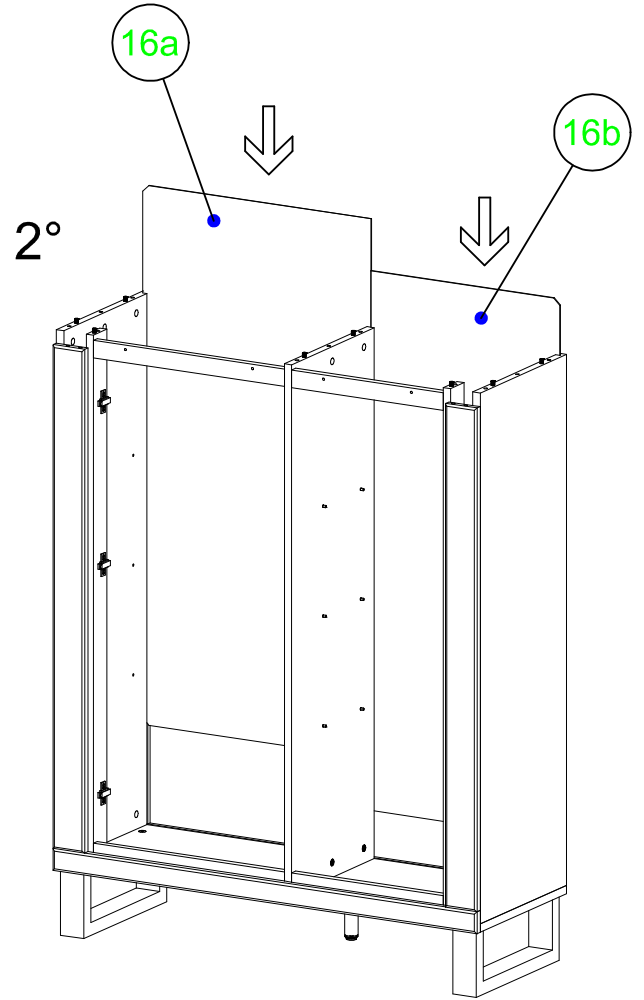
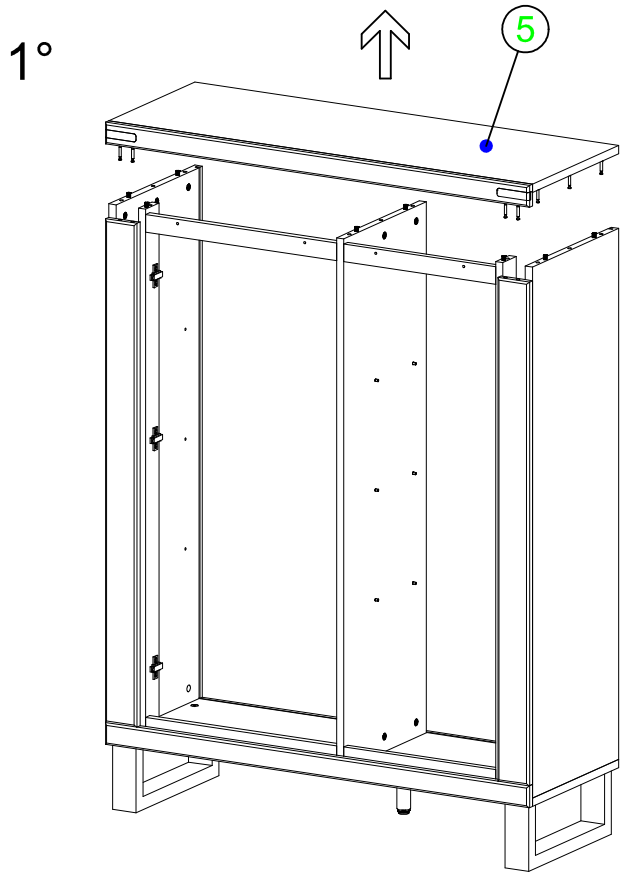
<b>A</b>  Ø 8x30 8	<b>B</b>  14	<b>D</b>  4	<b>D1</b>  4/4	<b>E</b>  Ø 6.3x13 6	<b>I2</b>  6 <b>I1</b>  6	<b>J</b>  Ø 5x13 6	<b>K</b>  6
----------------------------------------------------------------------------------------------------------------	-------------------------------------------------------------------------------------------------------	------------------------------------------------------------------------------------------------------	---------------------------------------------------------------------------------------------------------	-------------------------------------------------------------------------------------------------------------------	--------------------------------------------------------------------------------------------------------------------------------------------------------------------------------------------------------------------	------------------------------------------------------------------------------------------------------------------	--------------------------------------------------------------------------------------------------------

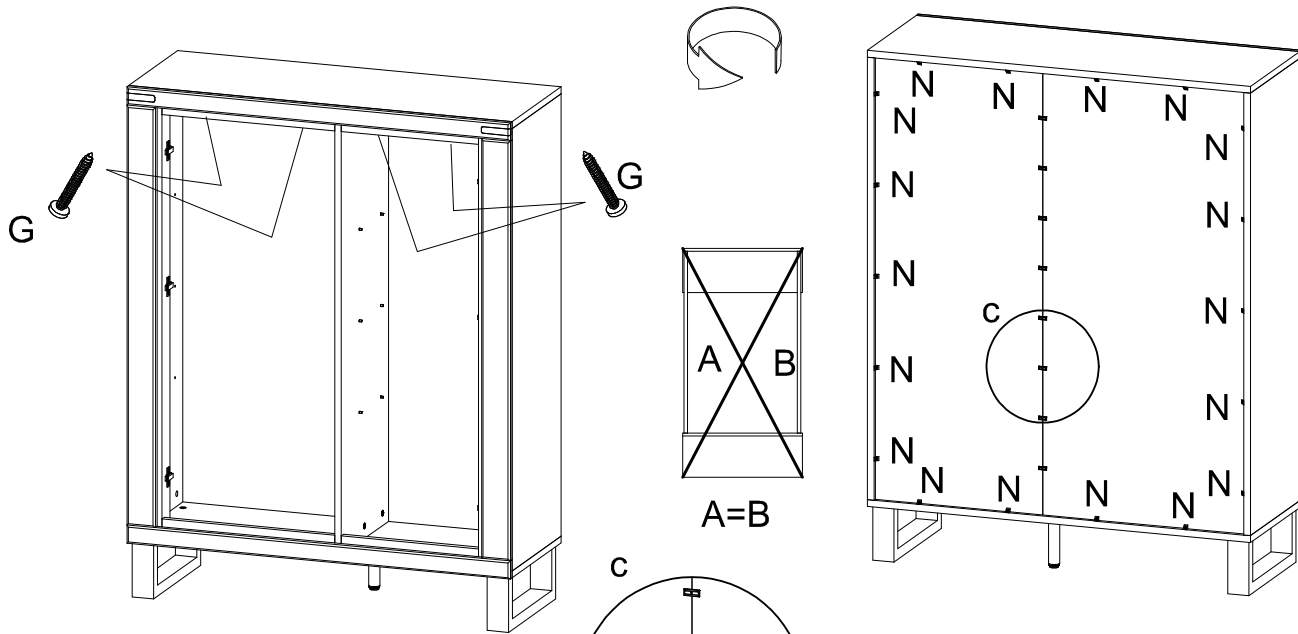




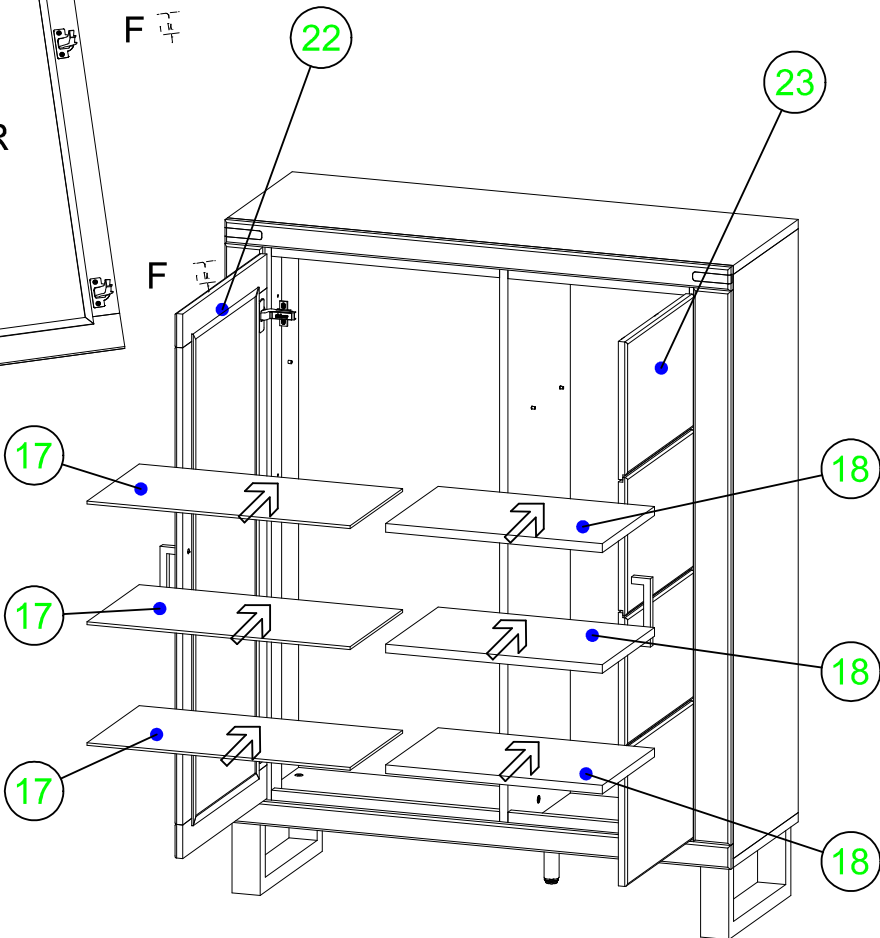
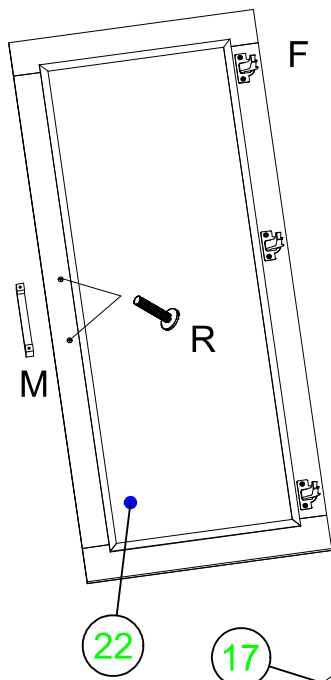
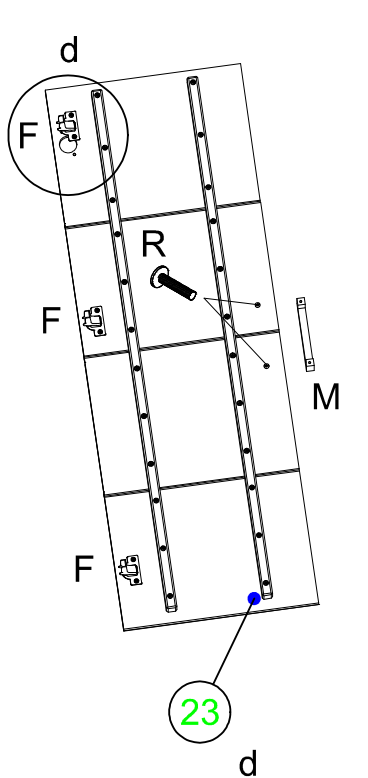
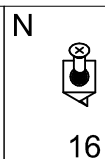
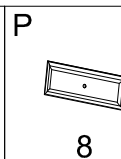
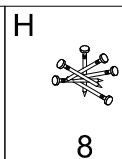
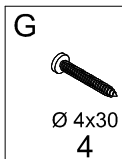
IV



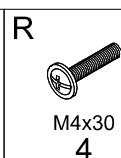
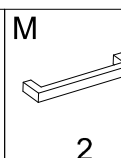
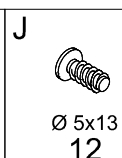
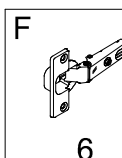




IX

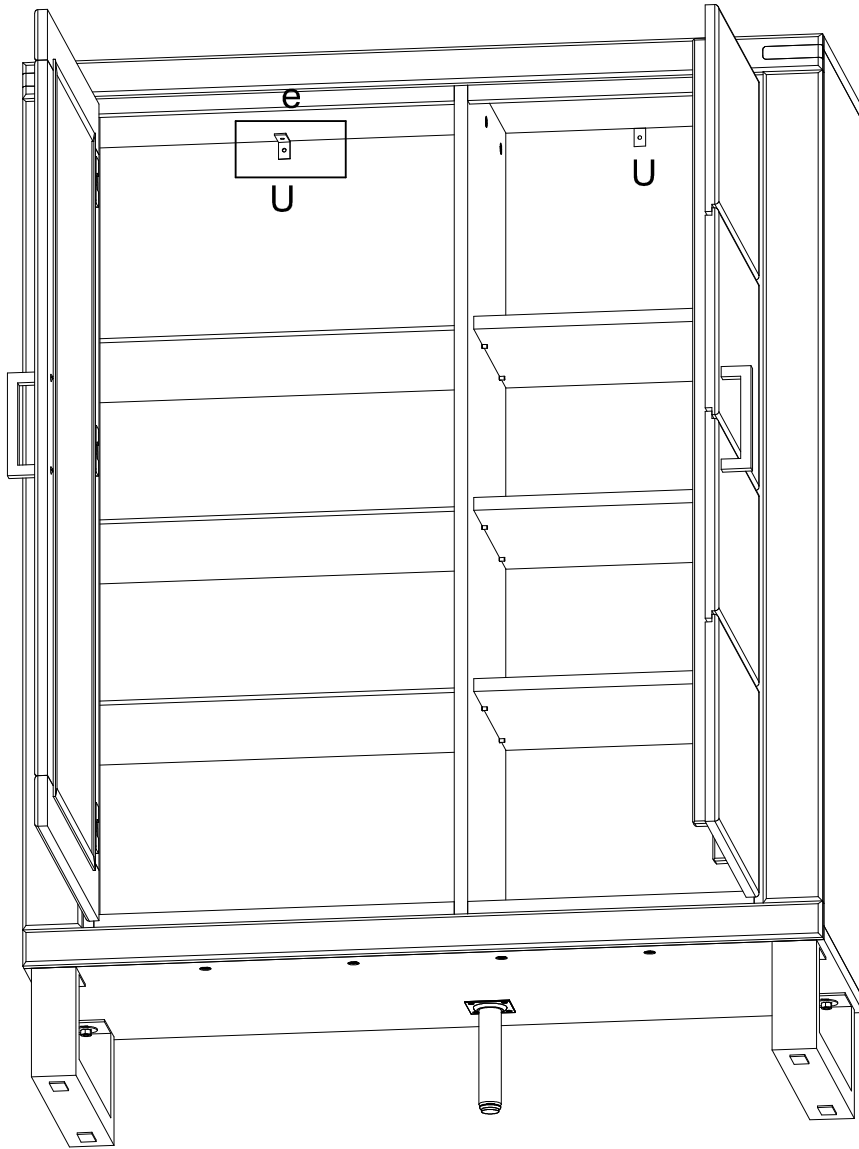
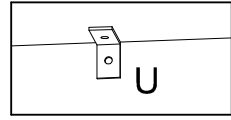


X





e



XI

