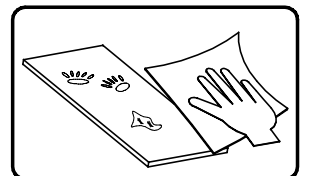
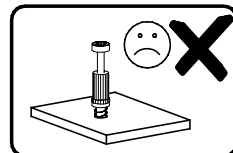
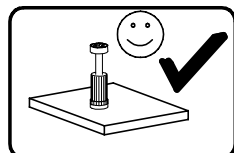
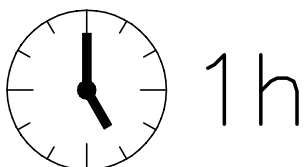
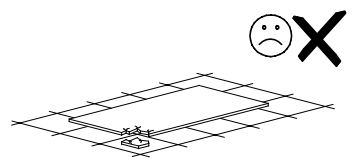
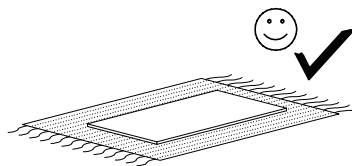
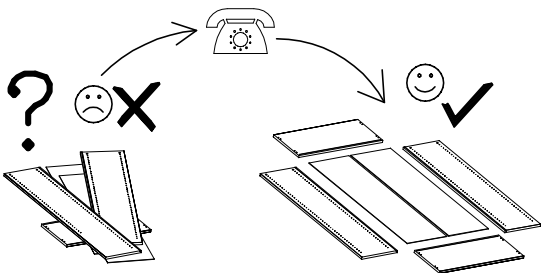
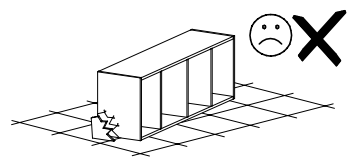
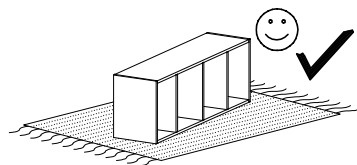
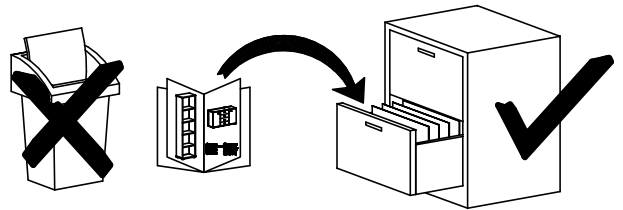
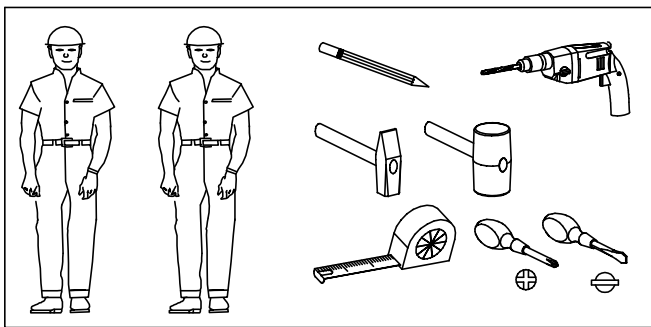
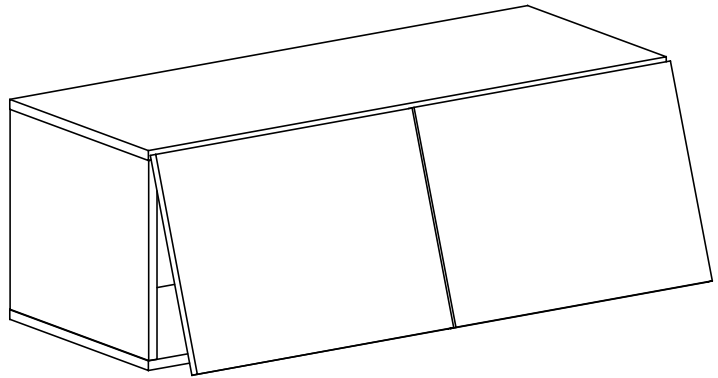
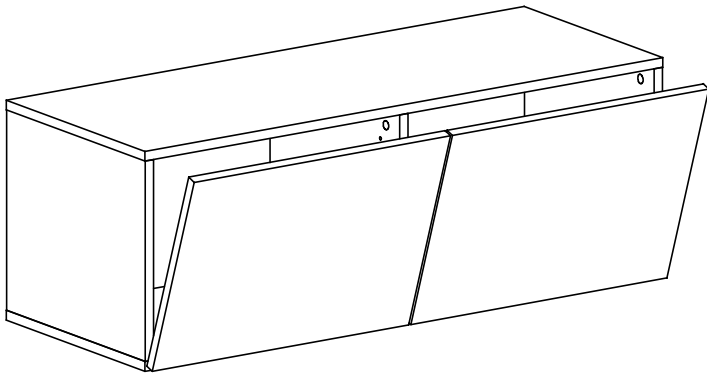
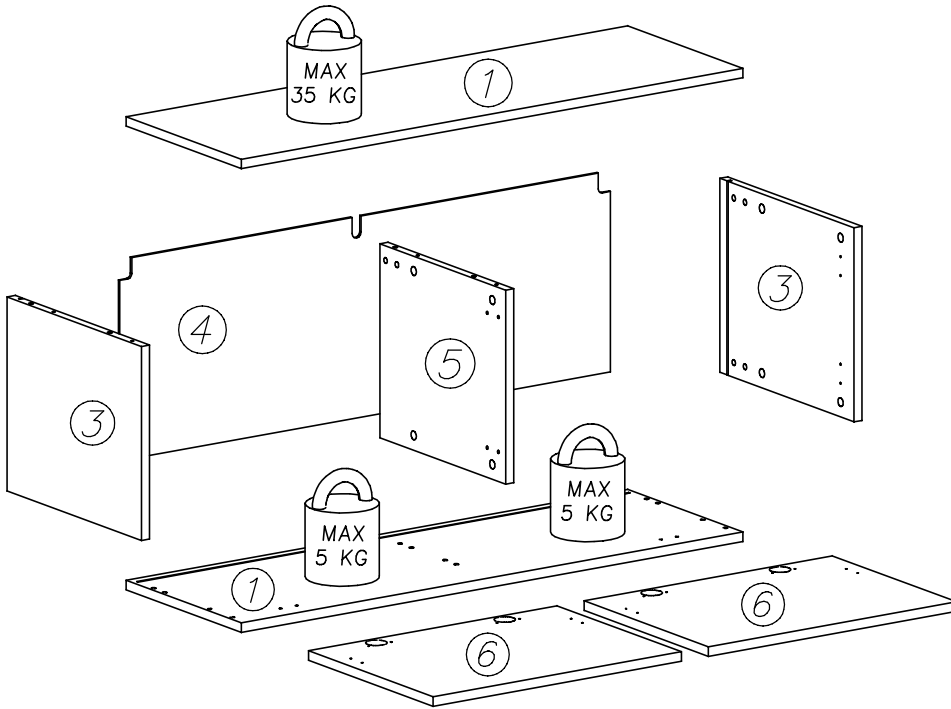
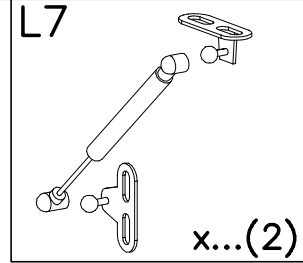
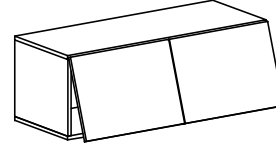
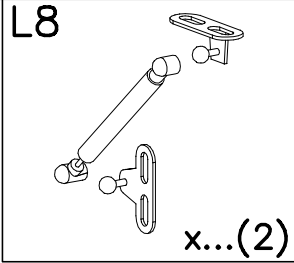
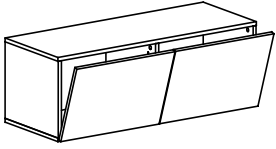
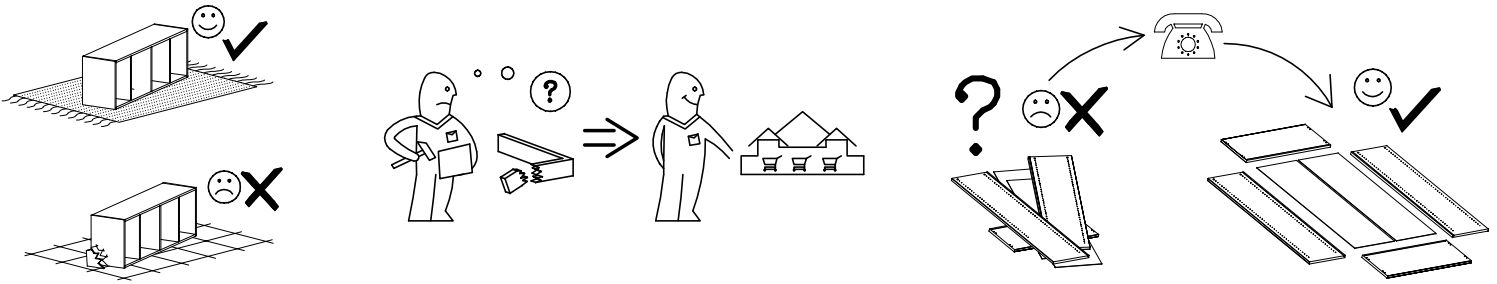
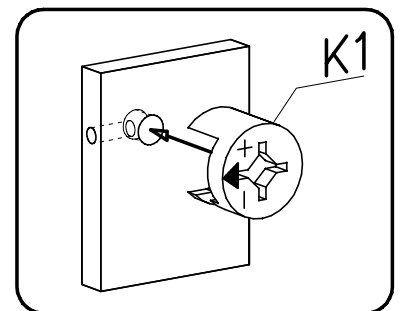
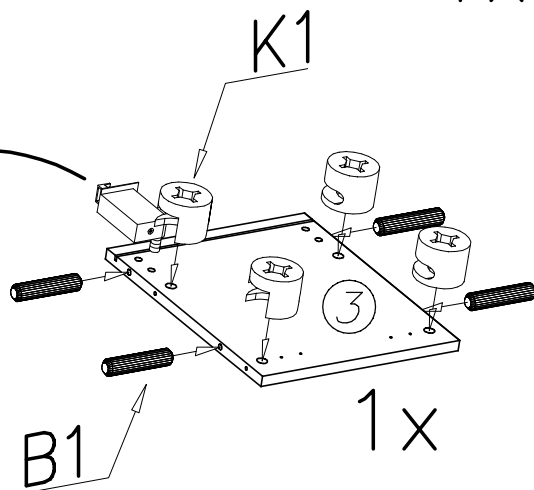
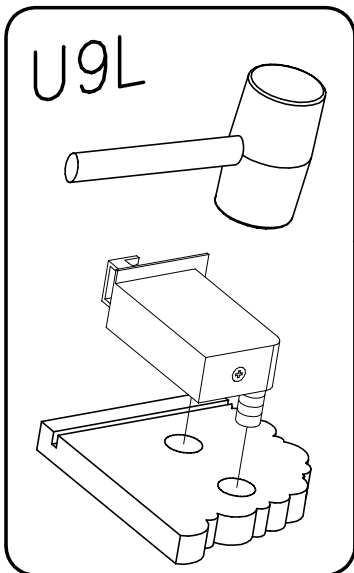
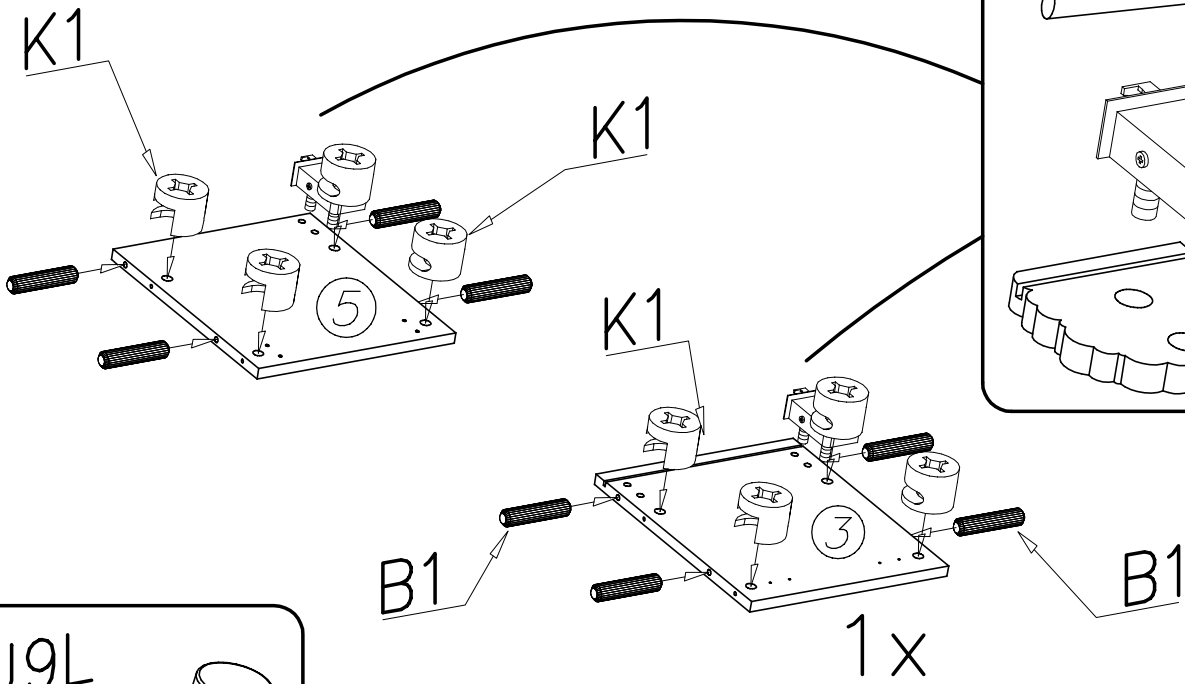
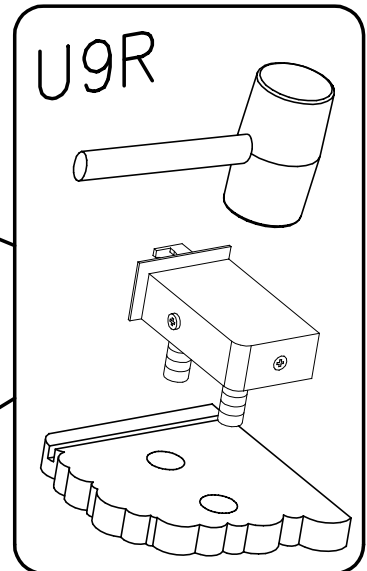
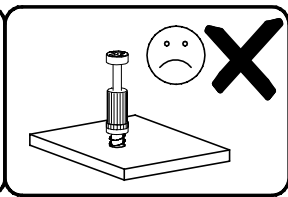
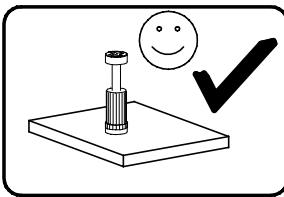
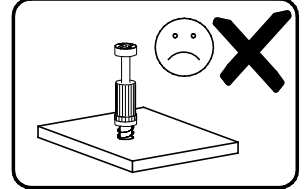
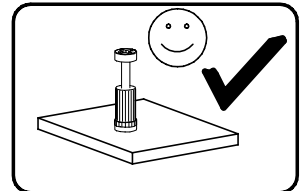
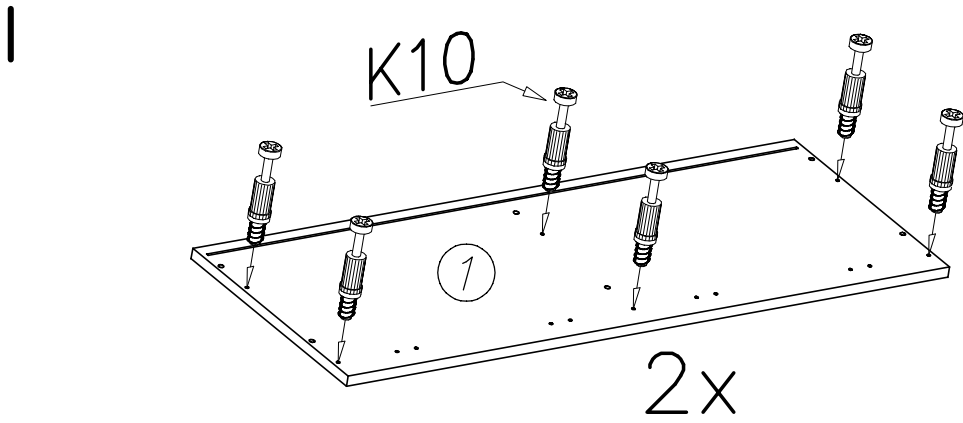
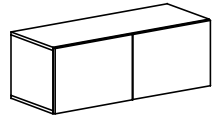


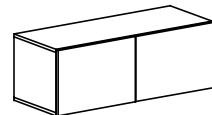
# RTV 08 – 1000



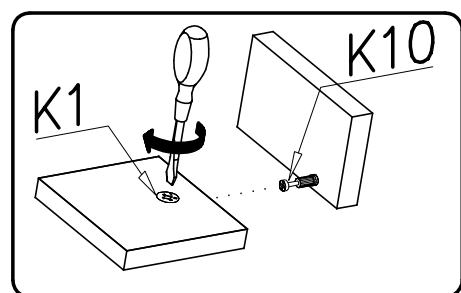
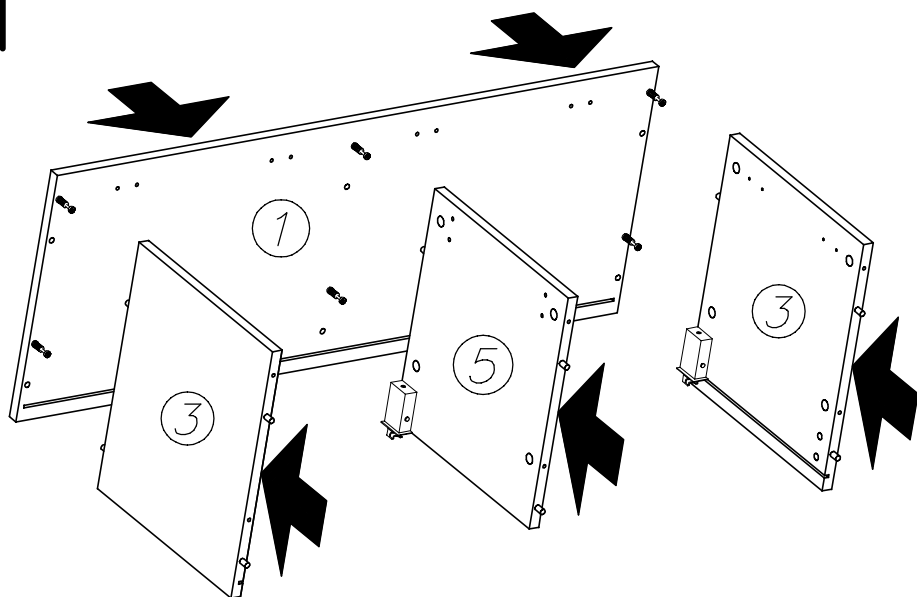


N7 M4x15 x...(2)	G32 3,5x16 x...(16)	I4 ø5 x...(4)	I10 ø10 x...(4)	L13 x...(2)
U9L x...(1)	U9R x...(2)	U10L x...(1)	U10R x...(2)	G57 3,5x16 x...(4)
K1 ø15x12 x...(12)	I7 x...(12)	I1 x...(6)	U7 x...(3)	U8 ø10x60 x...(3)
K10 x...(12)	B1 ø8x35 x...(12)	C3 Z35PR x...(4)	D3 PZ35PR x...(4)	G34 3,5x16 x...(11)

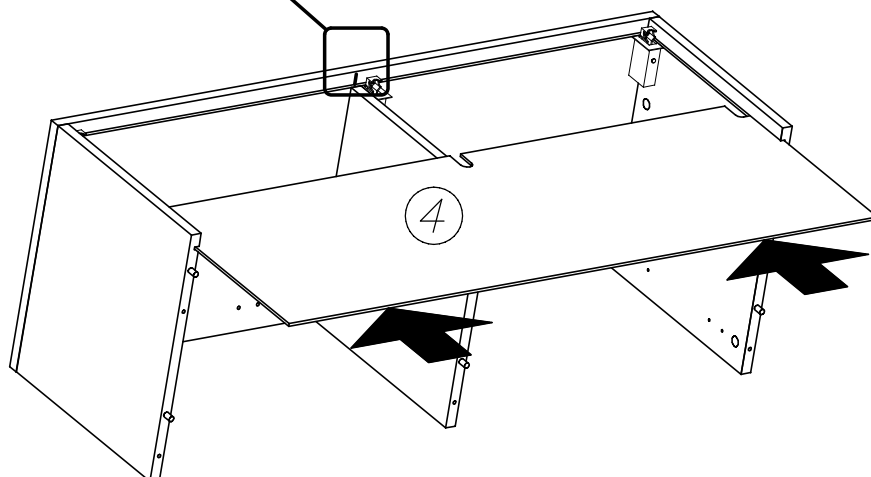
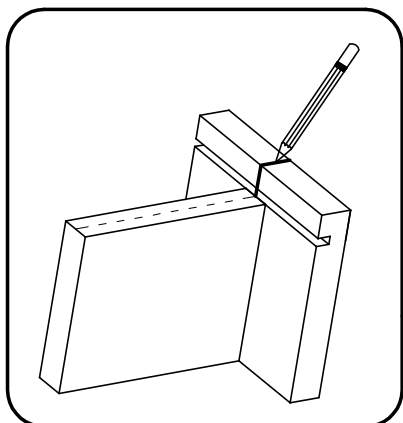


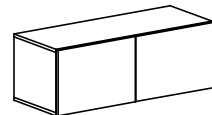


II

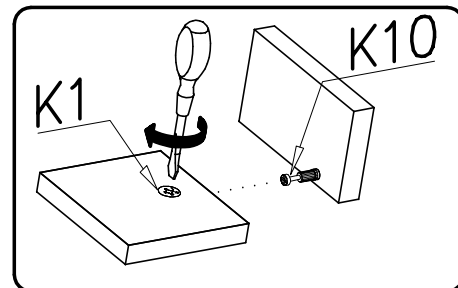
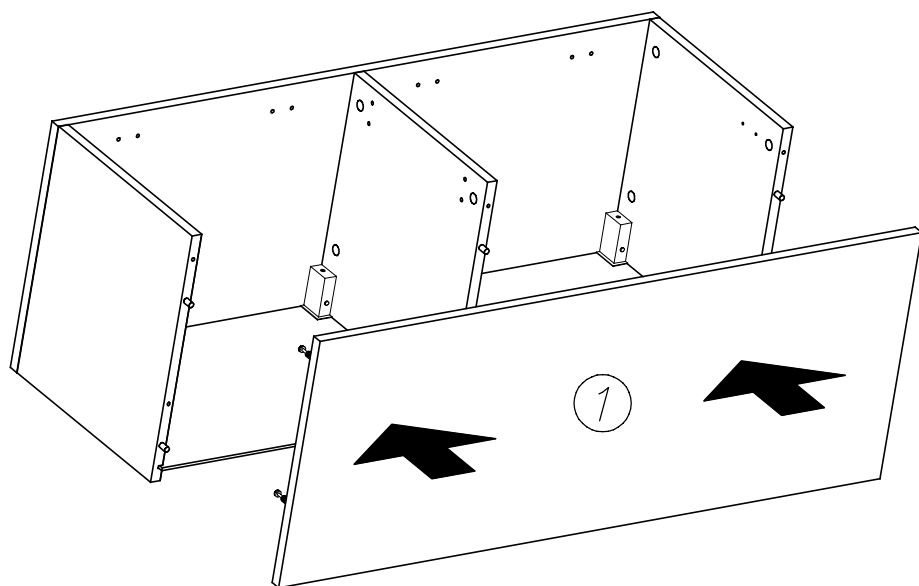


III

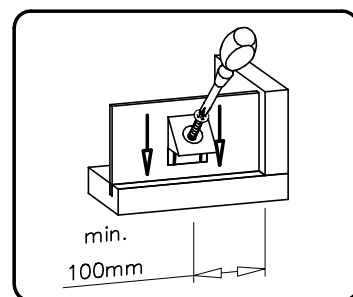
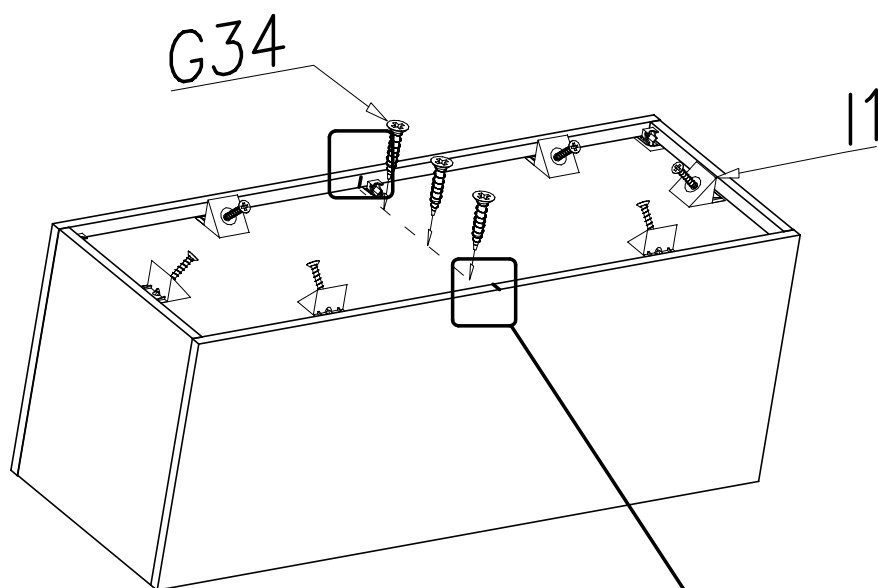




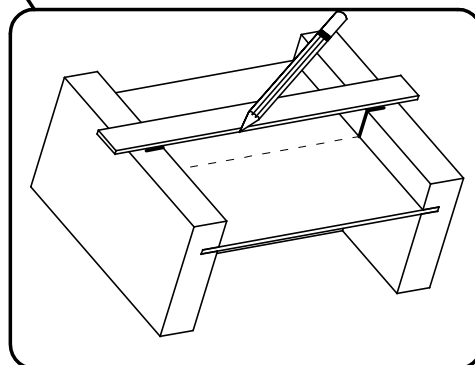
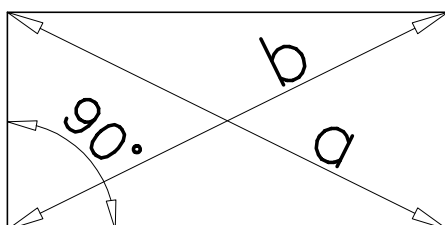
# IV

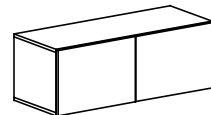


# V

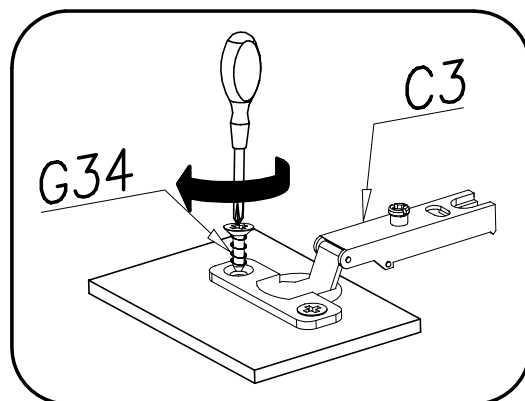
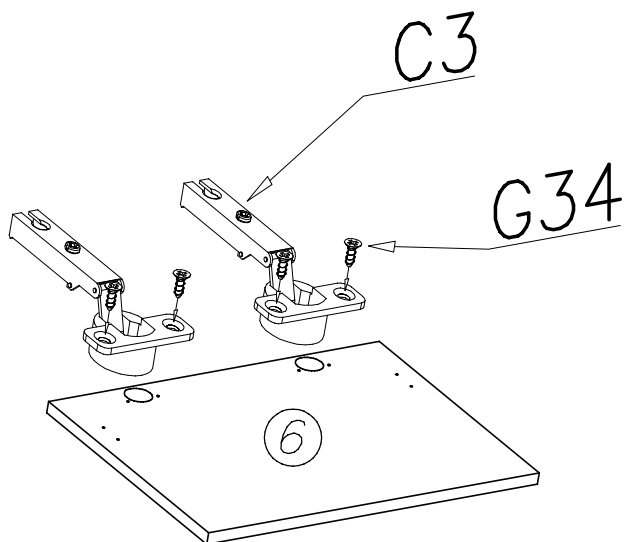


$$a = b$$

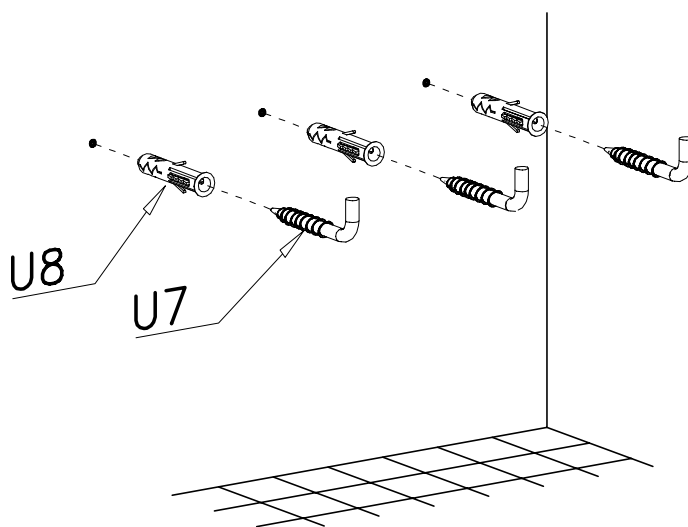
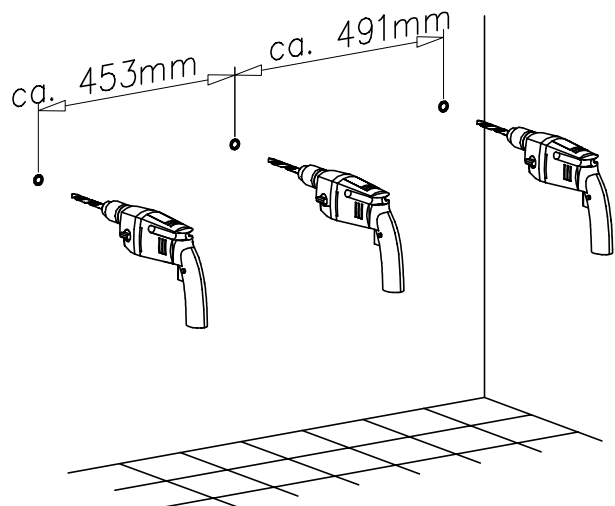
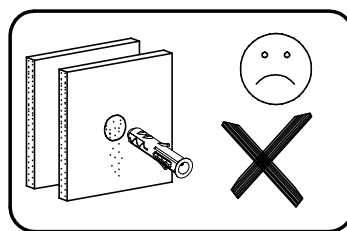
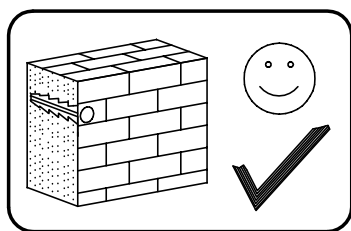


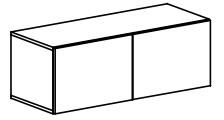


# VI

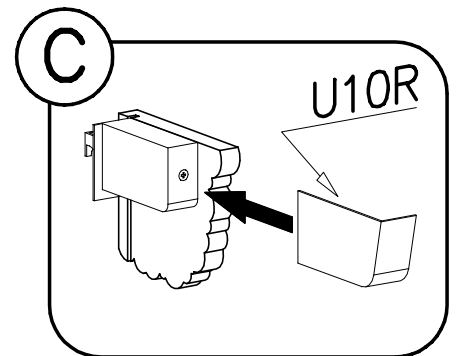
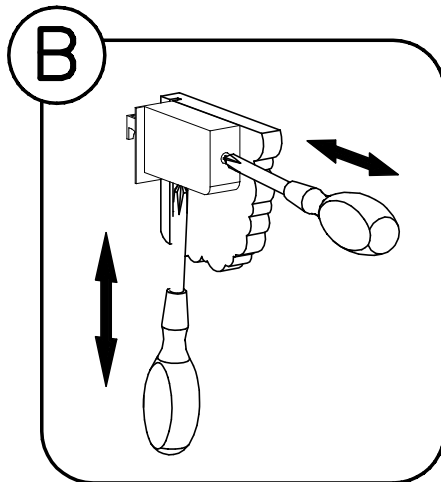
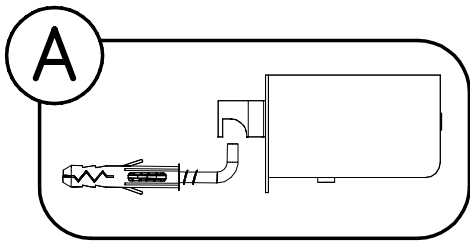
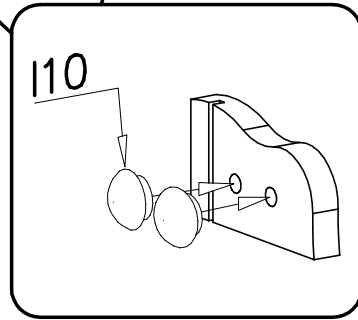
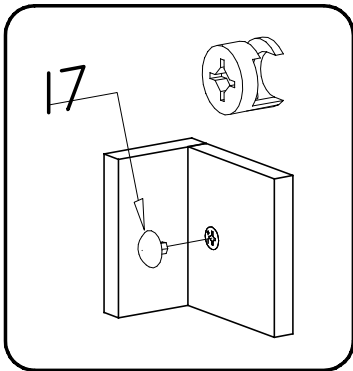
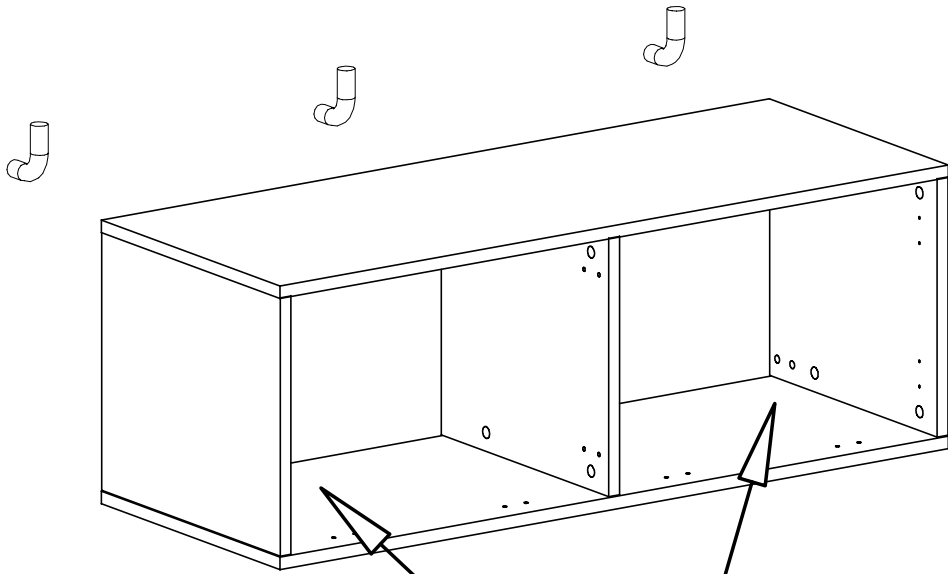


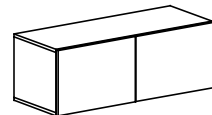
# VII



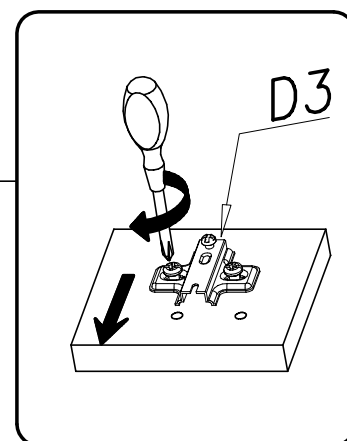
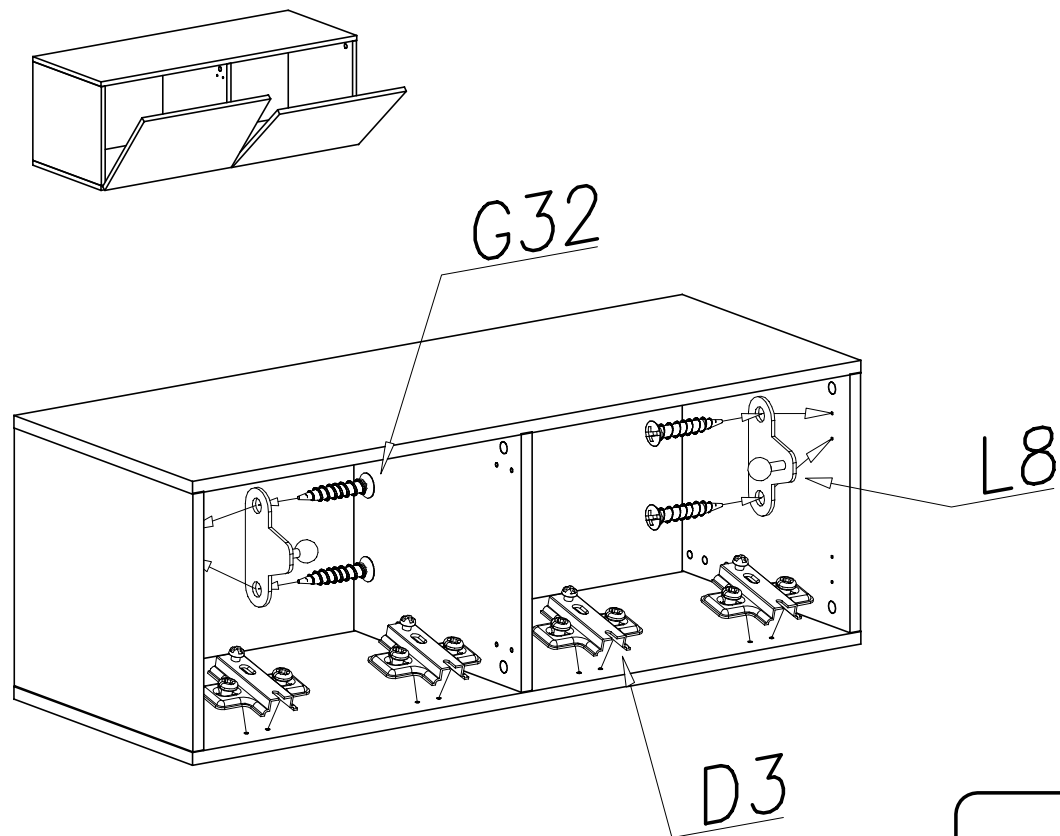


# VIII

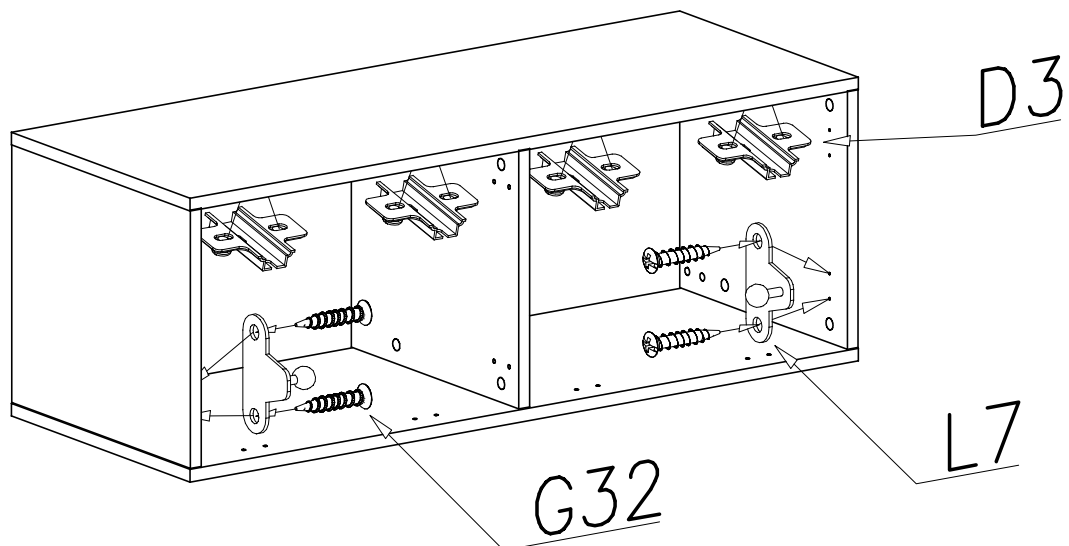
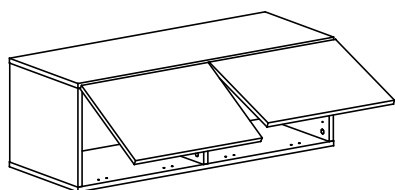




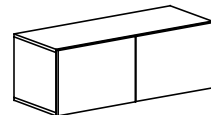
IX



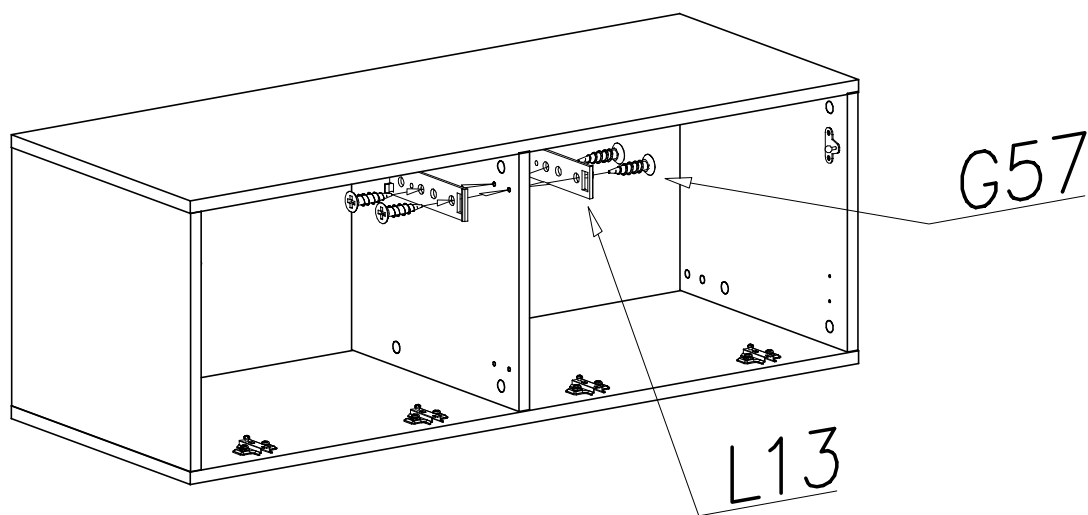
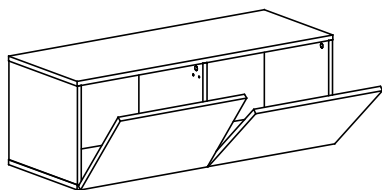
IX



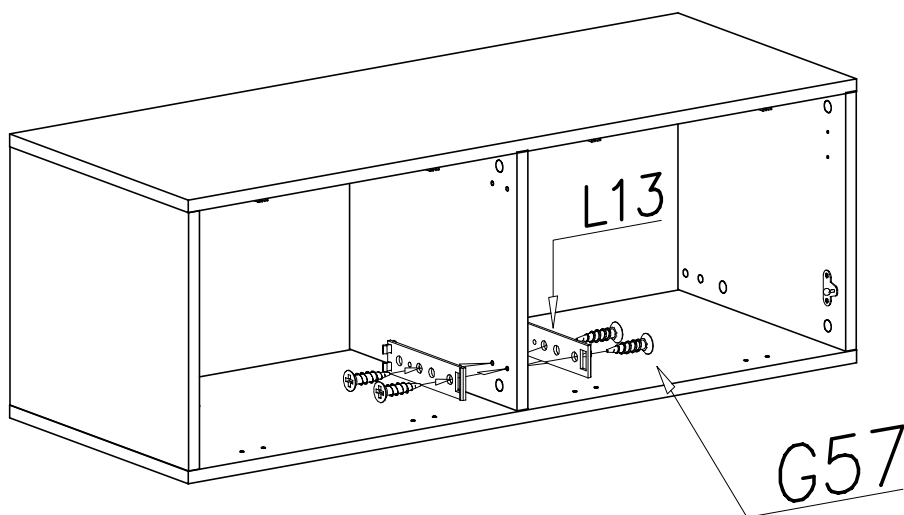
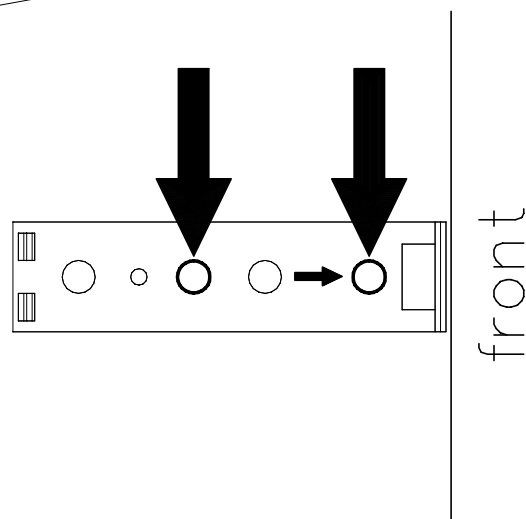
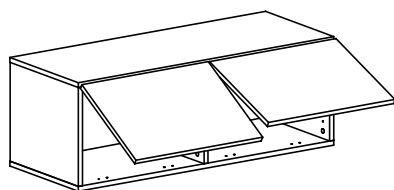


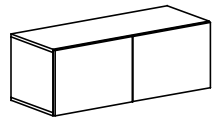


X

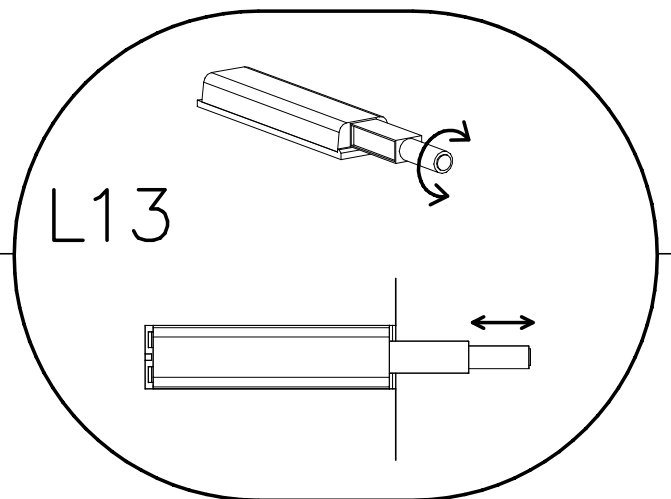
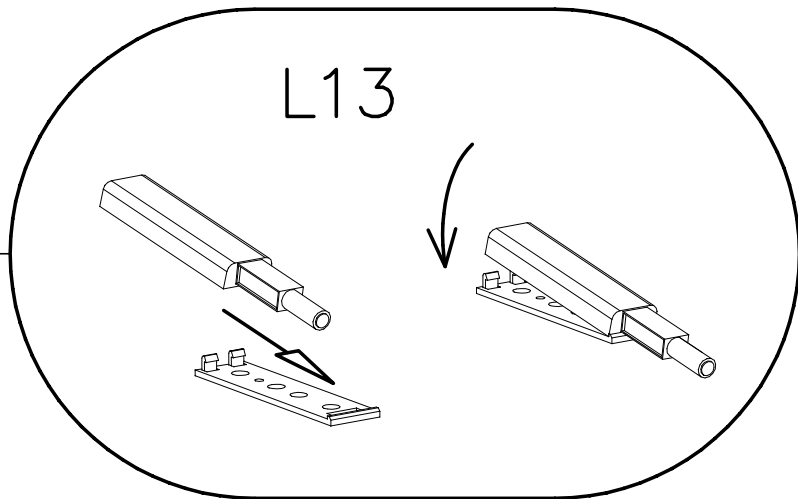
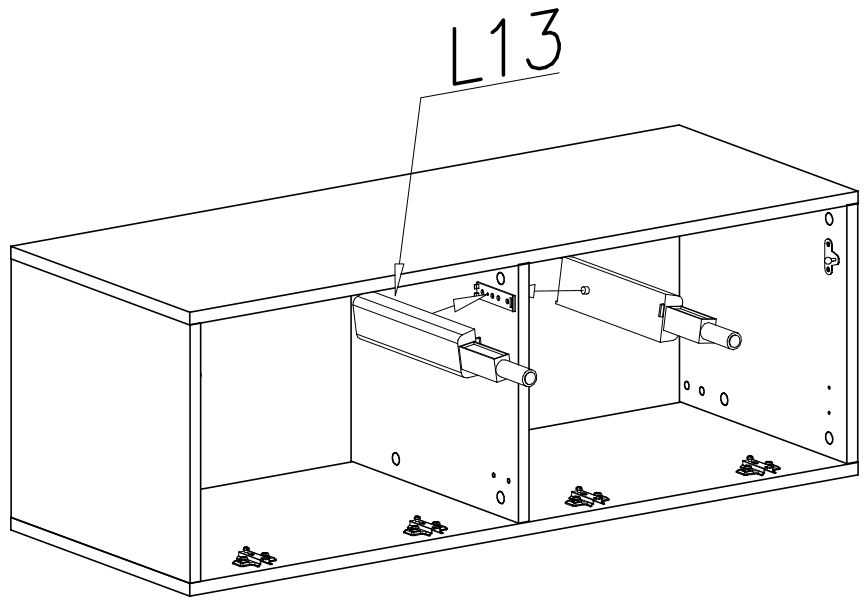
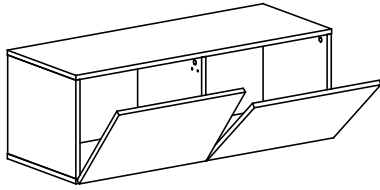


X

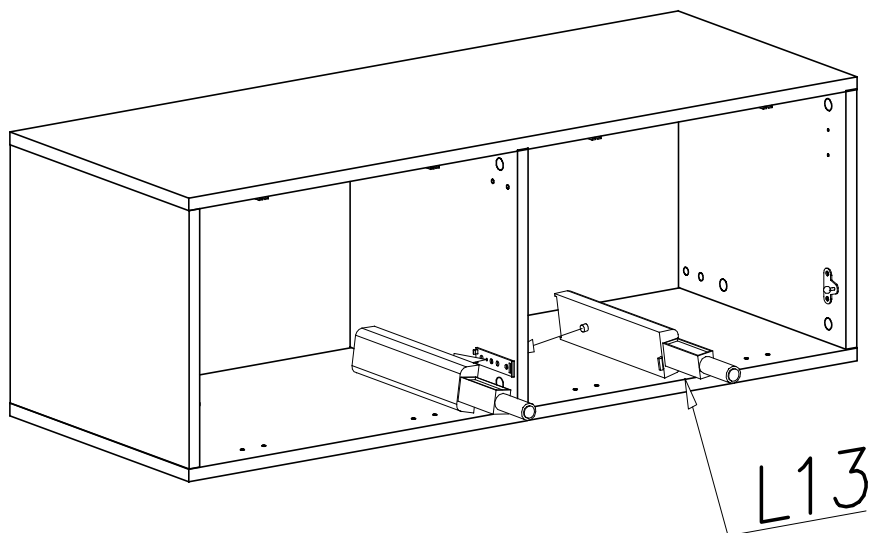
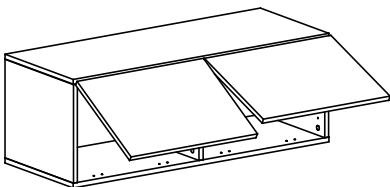


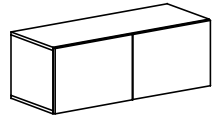


XI

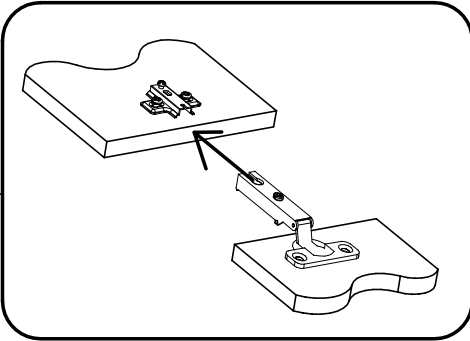
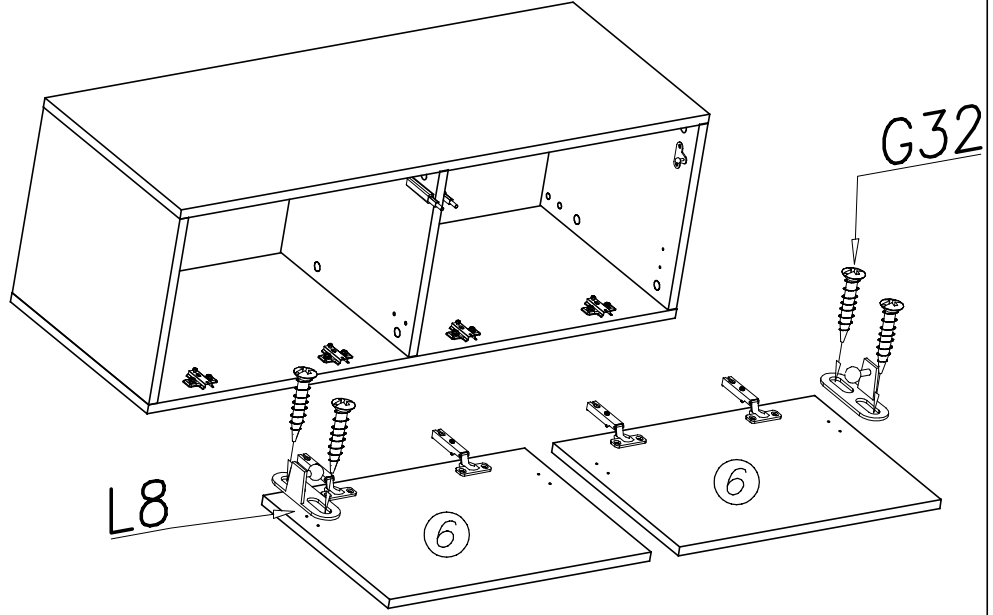
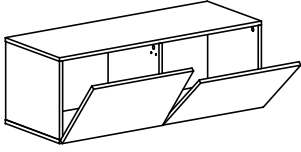


XI

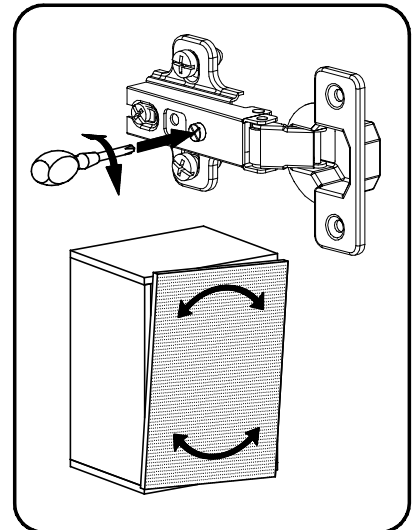
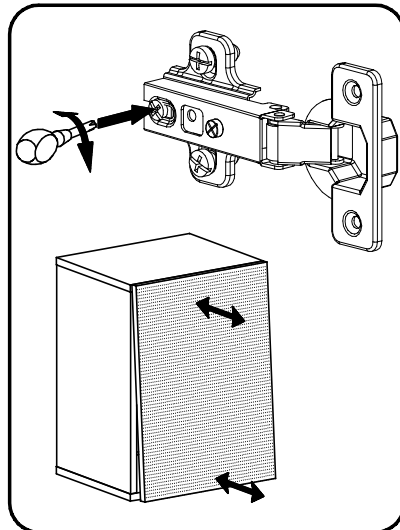
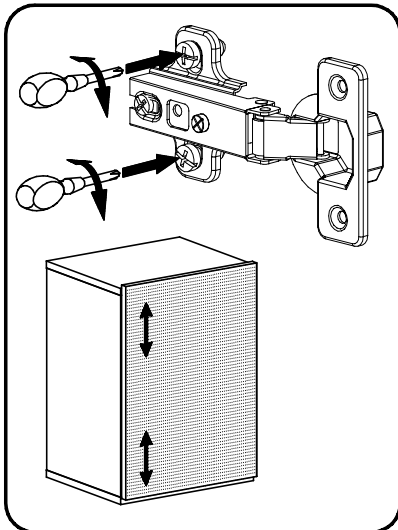
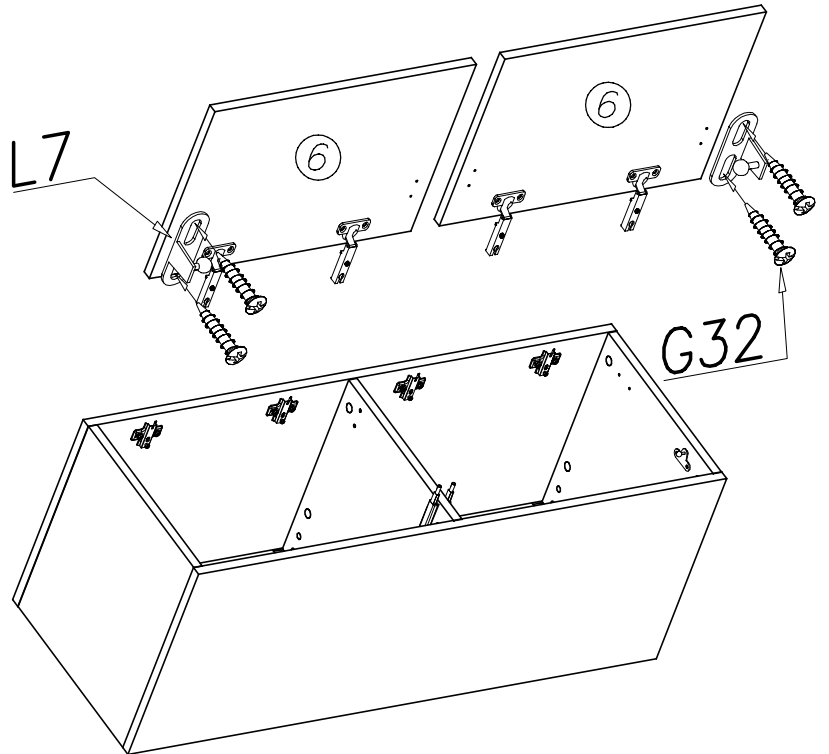
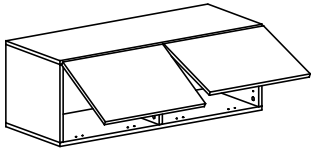


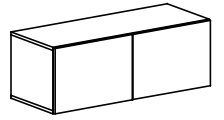


XII

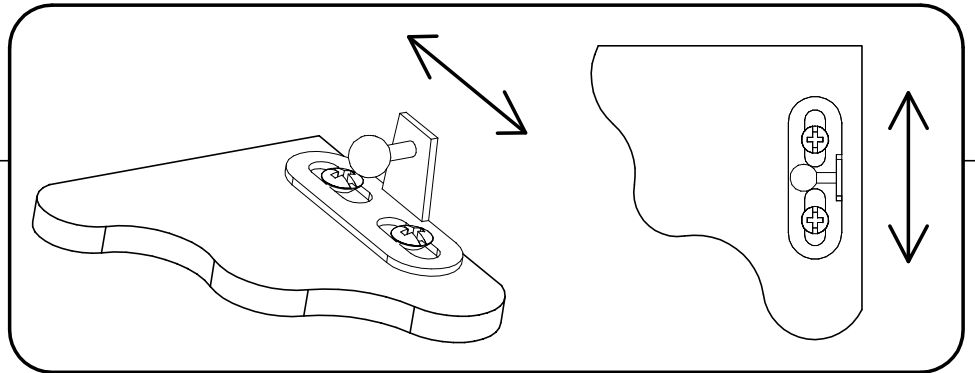
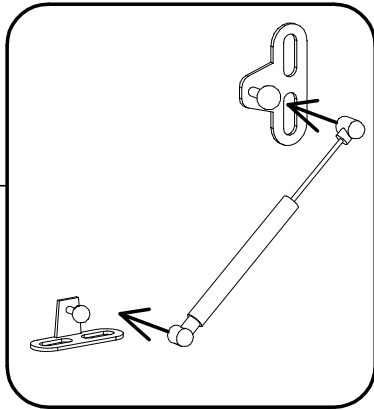
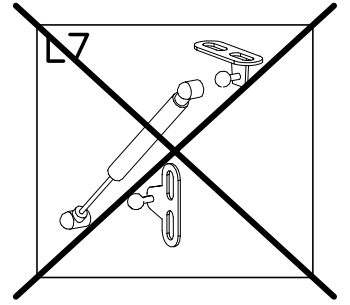
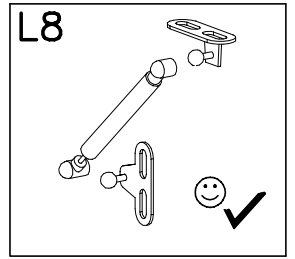
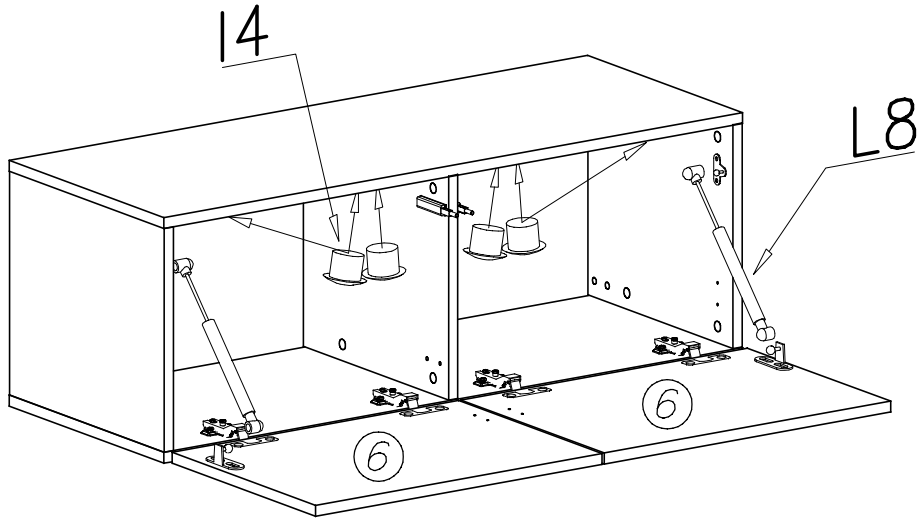
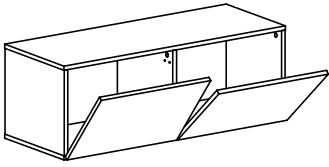


XII

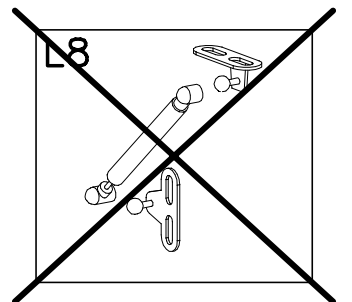
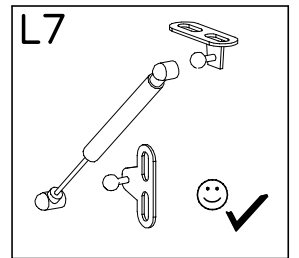
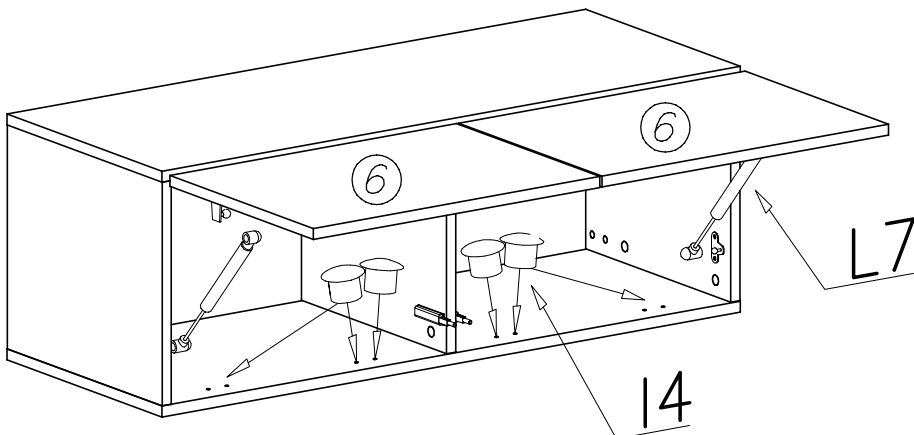
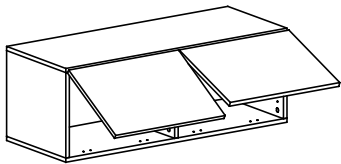


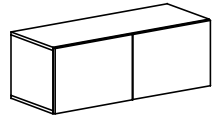


# XIII

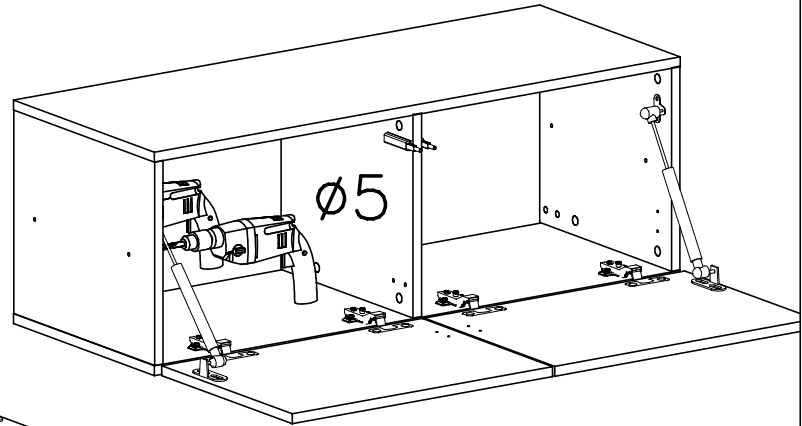
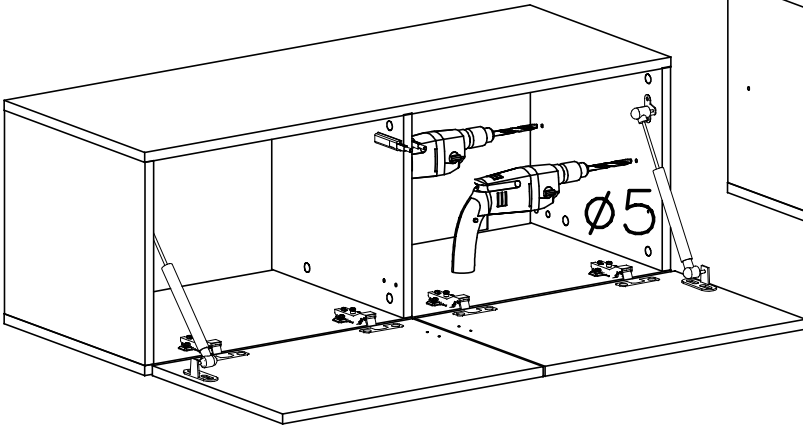
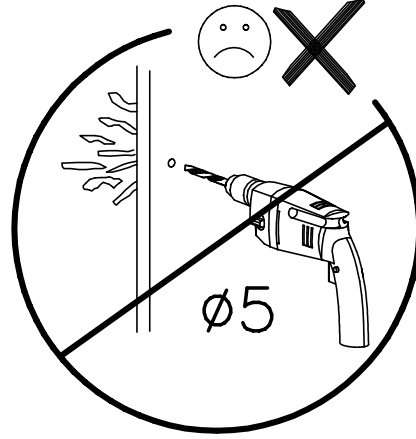
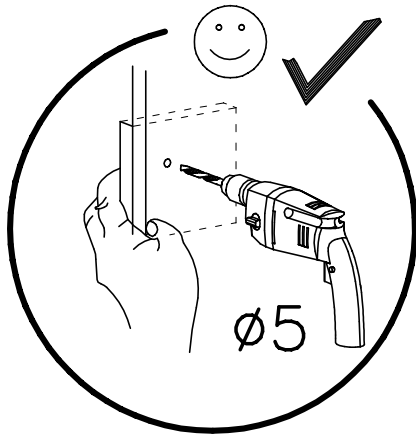


# XIII

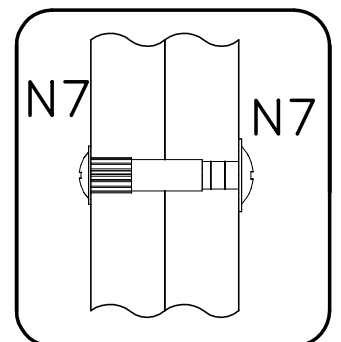
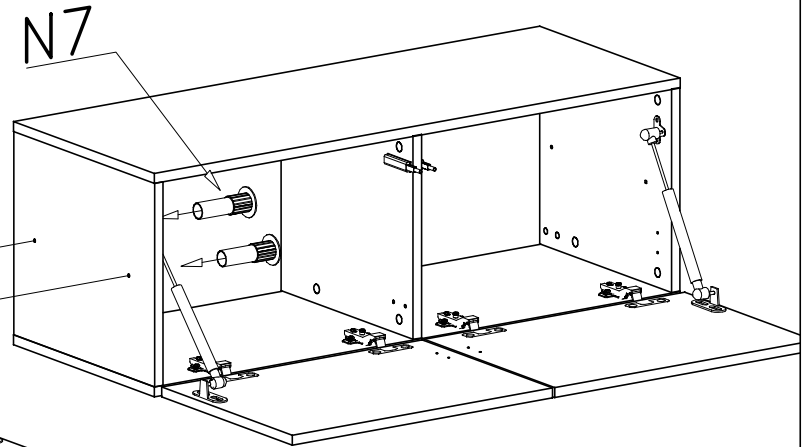
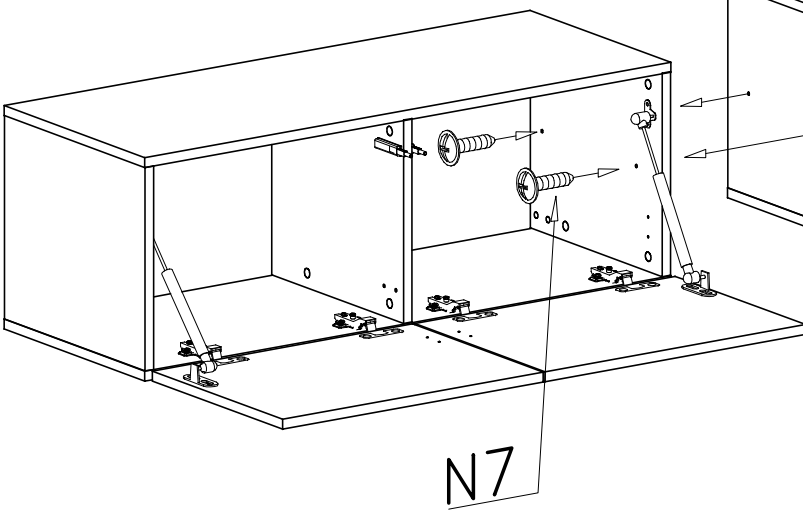


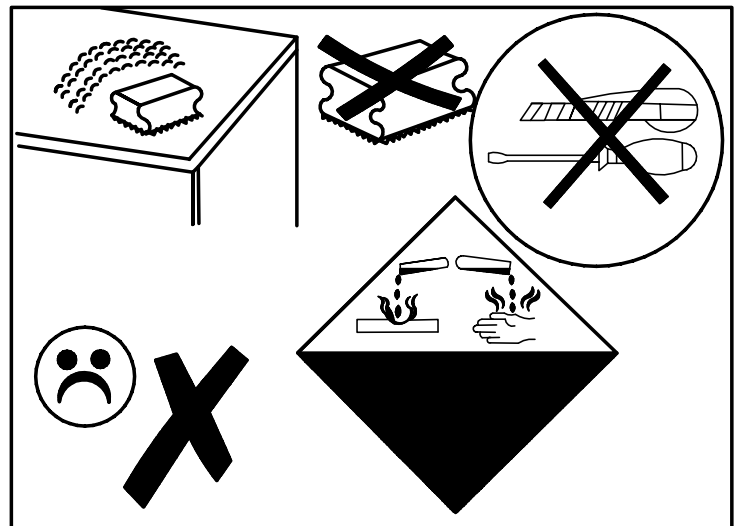
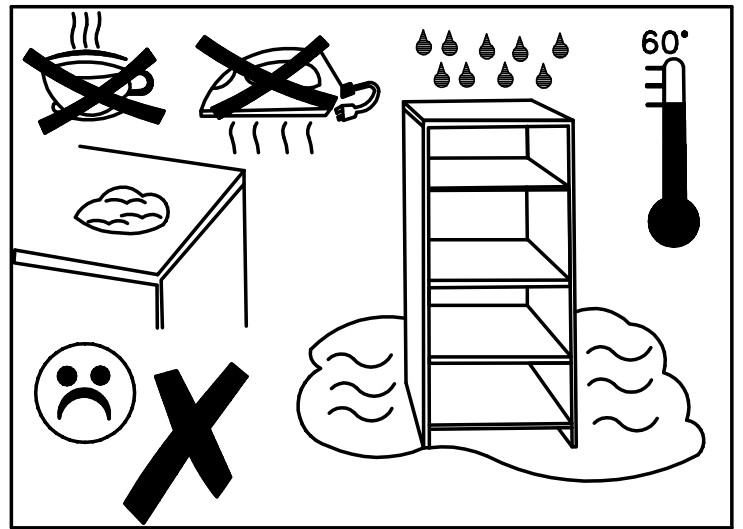
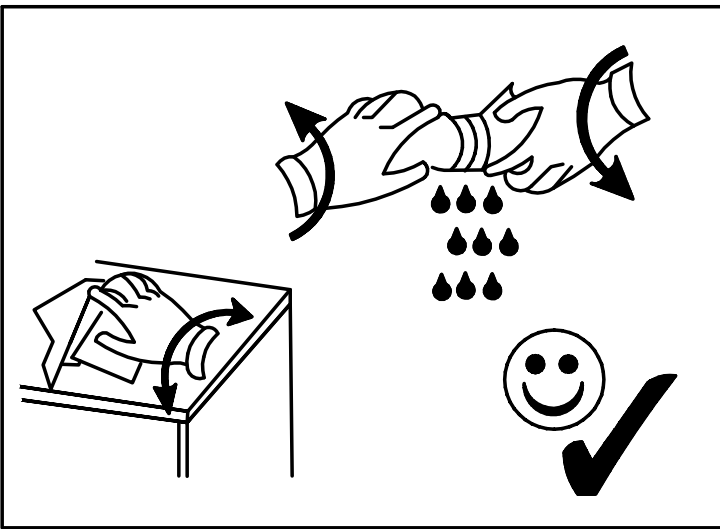
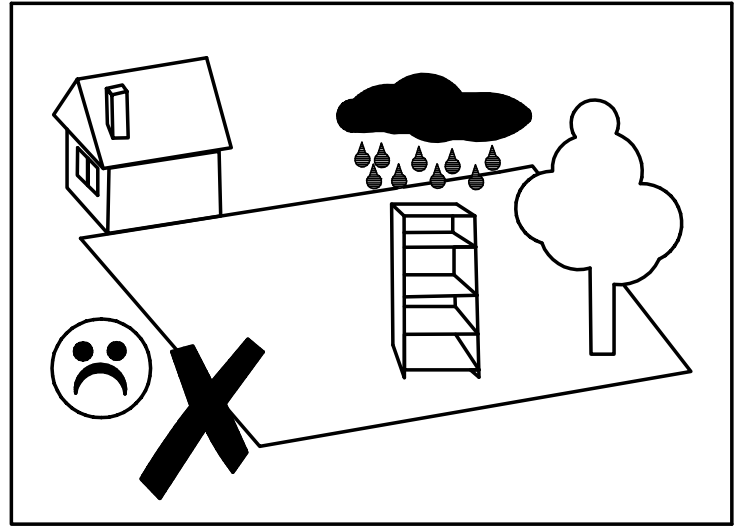
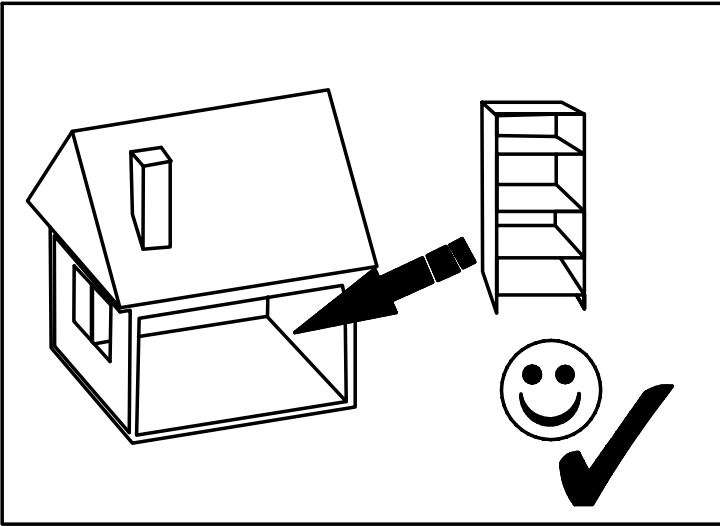


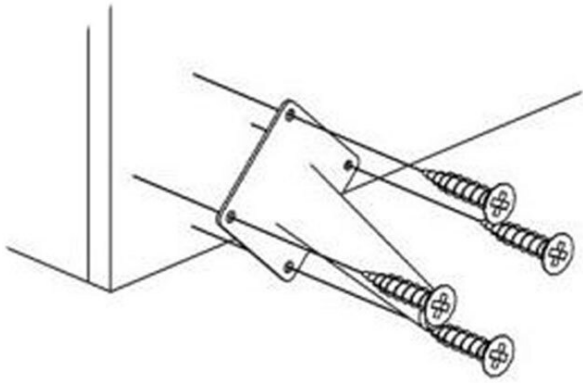
XIV



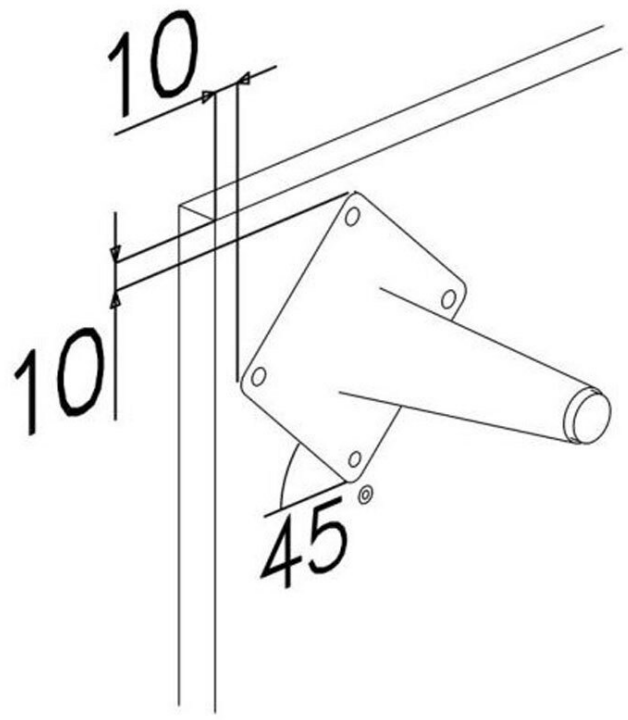
XV









G4



G4		Ver. A
4x16	x...(16)	

LEG	
	x...(4)