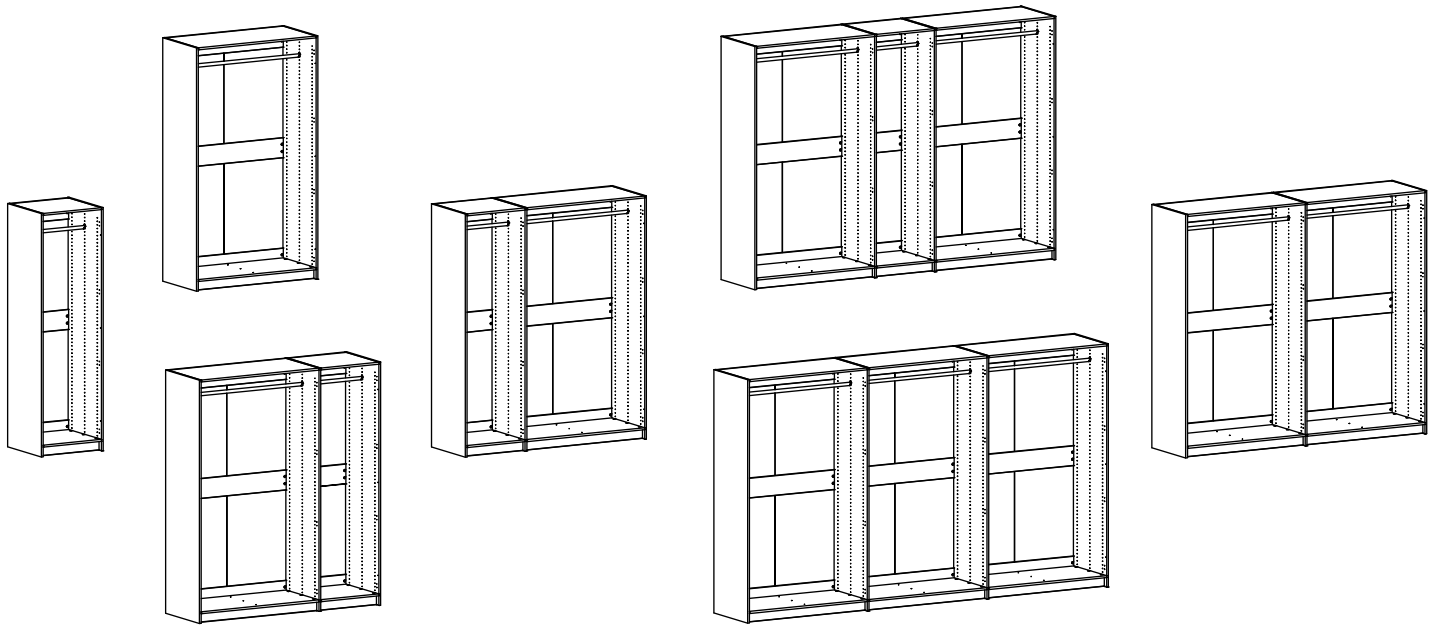
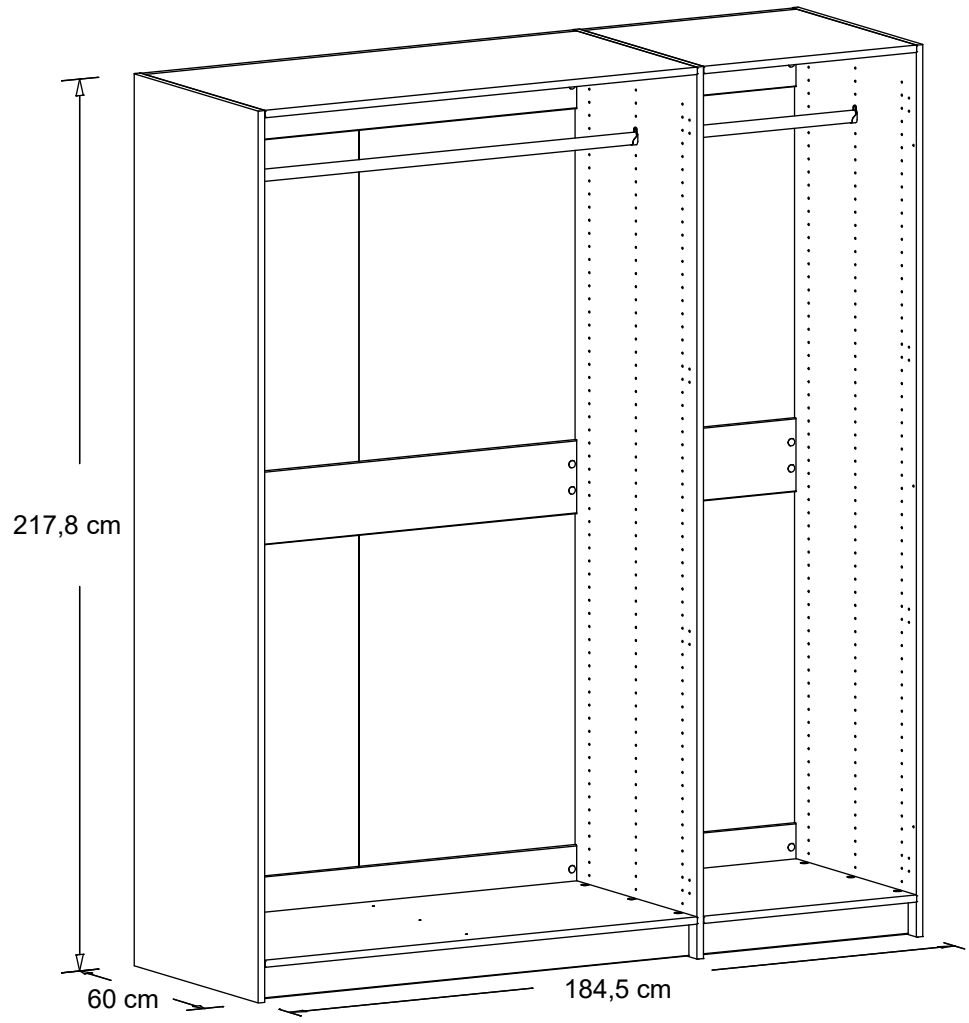
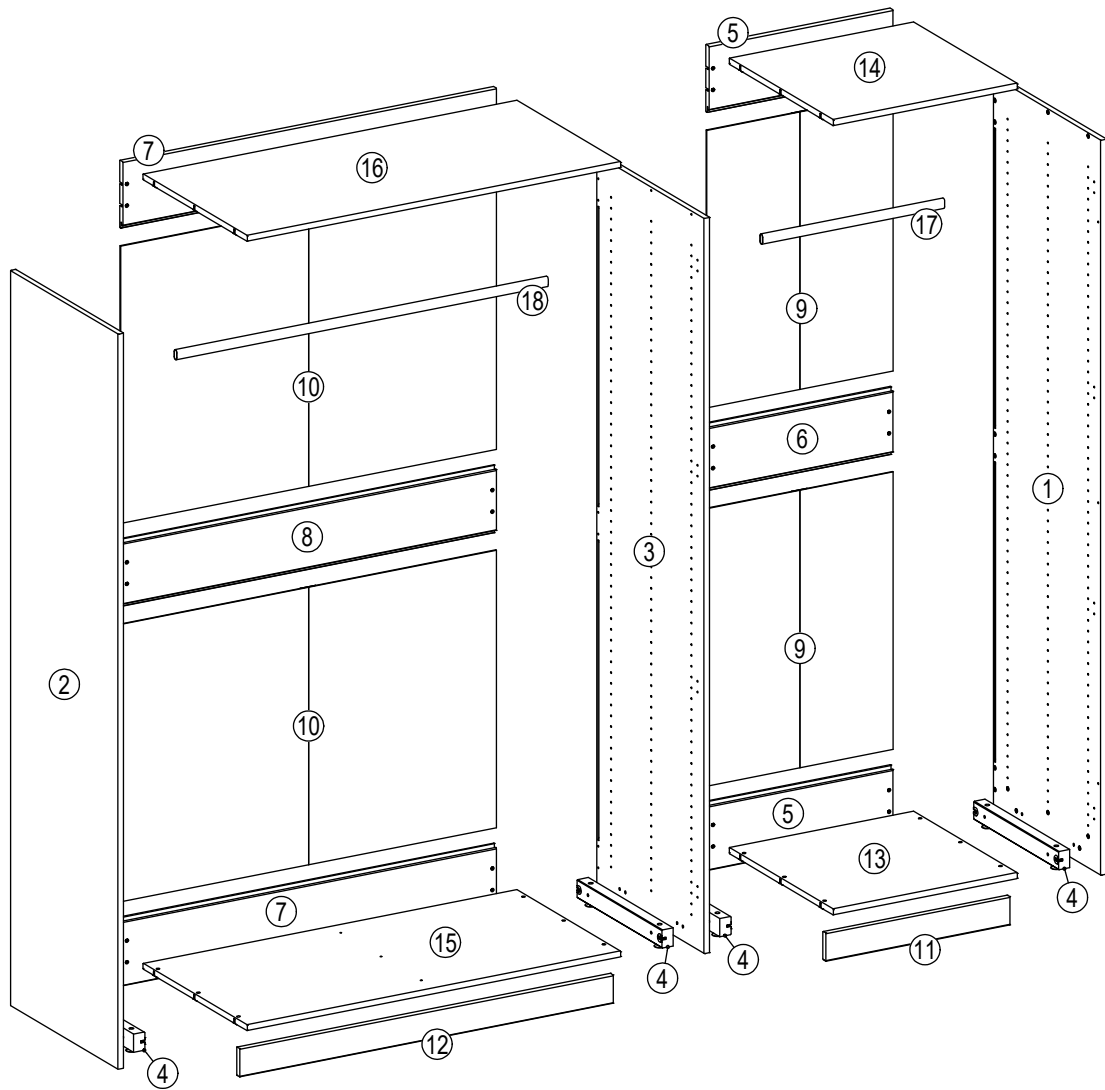

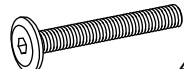



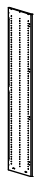
# Rødvig Wardrobe






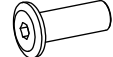


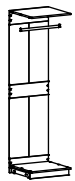
335 02 1:1

<p><b>B32</b></p>  <p>24 x M6 x 7,5mm</p>	<p><b>L07</b></p>  <p>4 x M6 x 45mm</p>	<p><b>Z04</b></p>  <p>1 x 4mm</p>
--	--	---







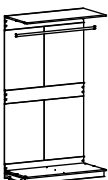
335 01 1:1

<p><b>B35</b></p>  <p>12 x M4 x 12mm</p>	<p><b>B36</b></p>  <p>12 x M4, ø5 x 14,5mm</p>	<p><b>L13</b></p>  <p>2 x M6 x 80mm</p>	<p><b>M01</b></p>  <p>2 x M6, ø8 x 22mm</p>
---	---	---	--







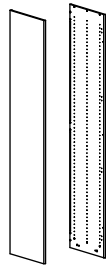
335 05 1:1

<p><b>A26</b></p>  <p>4 x ø8 x 40mm</p>	<p><b>B32</b></p>  <p>2 x M6 x 7,5mm</p>	<p><b>N13</b></p>  <p>2 x</p>	<p><b>U01</b></p>  <p>18 x ø18mm</p>
--	---	--	---



335 10 1:2 + 2:2

<p><b>A26</b></p>  <p>4 x ø8 x 40mm</p>	<p><b>B32</b></p>  <p>2 x M6 x 7,5mm</p>	<p><b>N13</b></p>  <p>2 x</p>	<p><b>U01</b></p>  <p>18 x ø18mm</p>
--	---	--	---



335 02 1:1

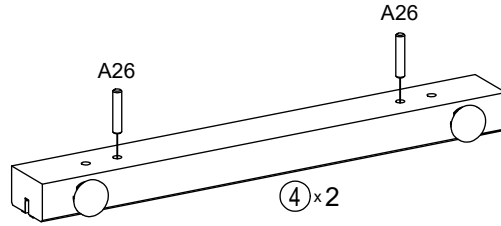
1

A26



4 x

ø8 x 40mm



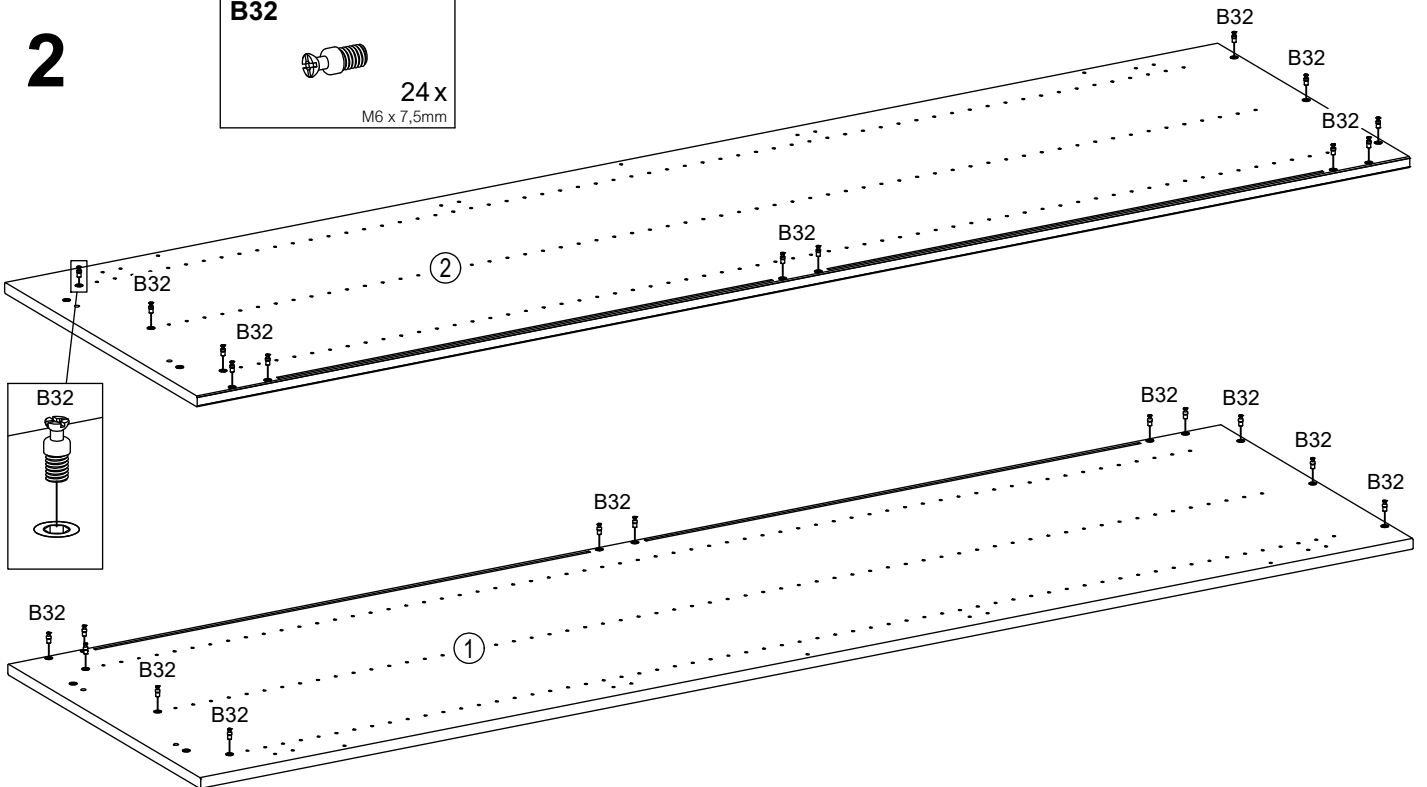
2

B32



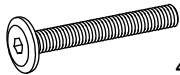
24 x

M6 x 7,5mm



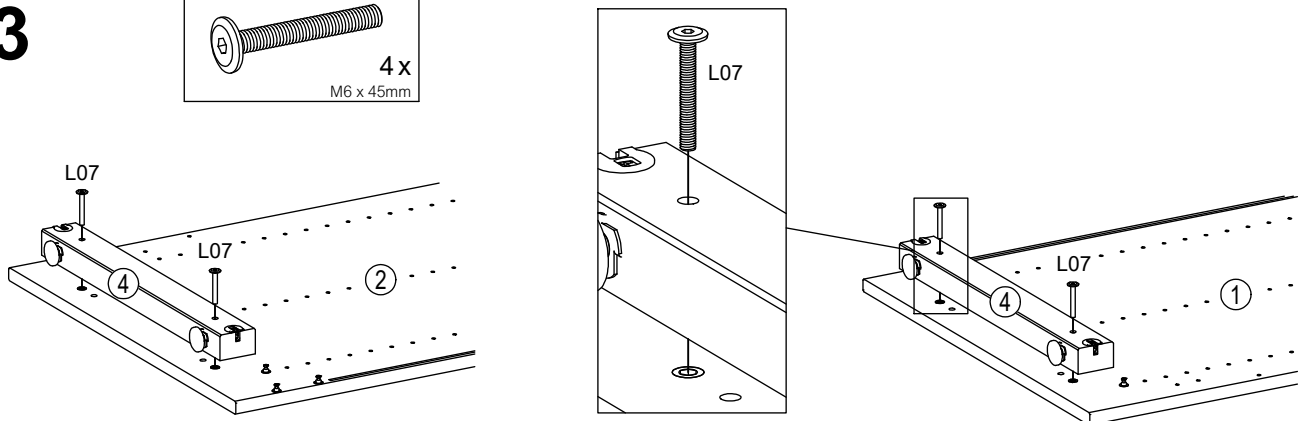
3

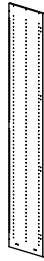
L07



4 x

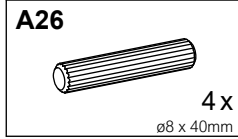
M6 x 45mm





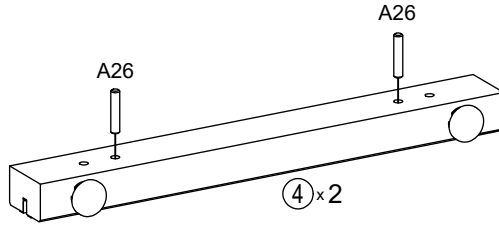
335 01 1:1

4

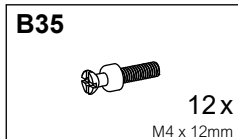


4 x

ø8 x 40mm

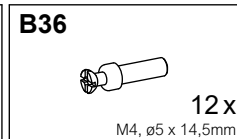


5



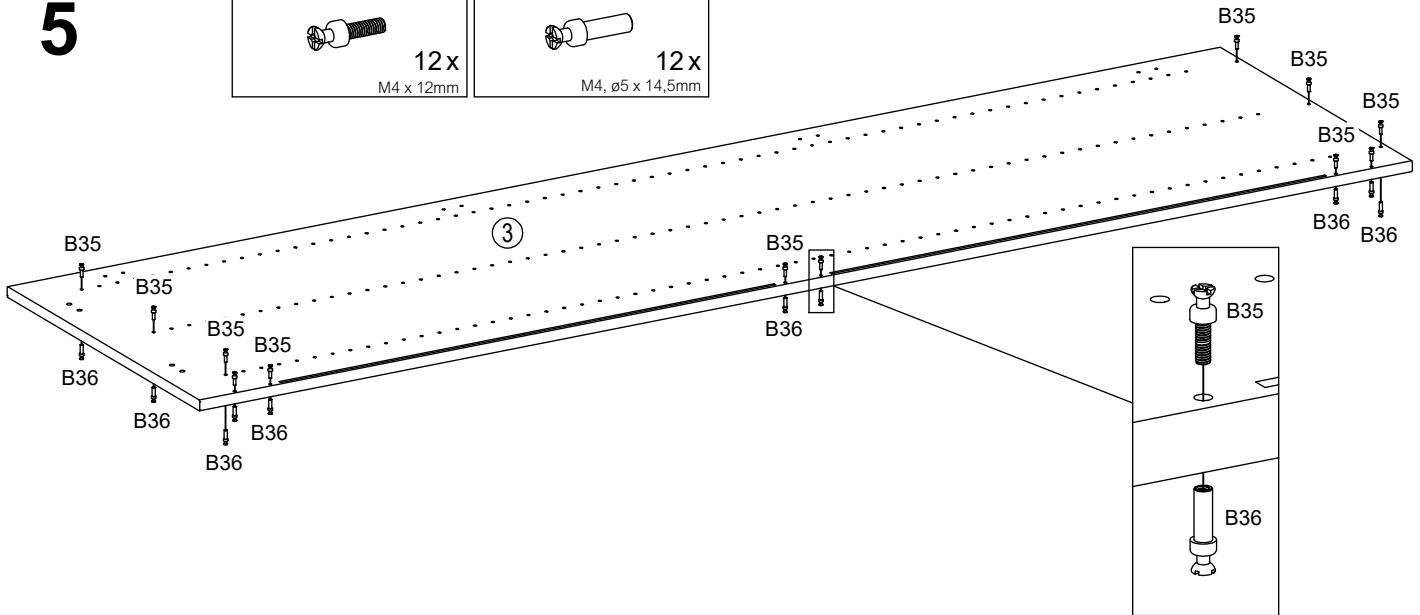
12 x

M4 x 12mm

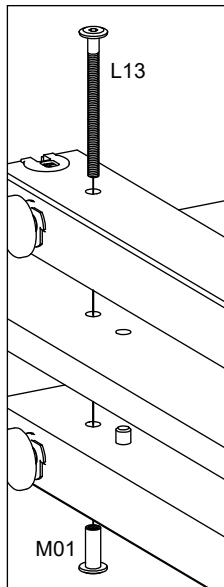


12 x

M4, ø5 x 14,5mm

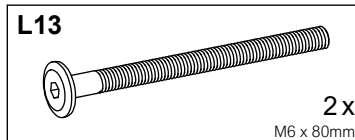


6



L13

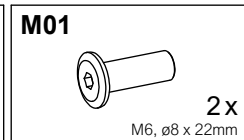
M01



L13

2 x

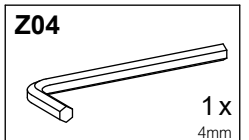
M6 x 80mm



M01

2 x

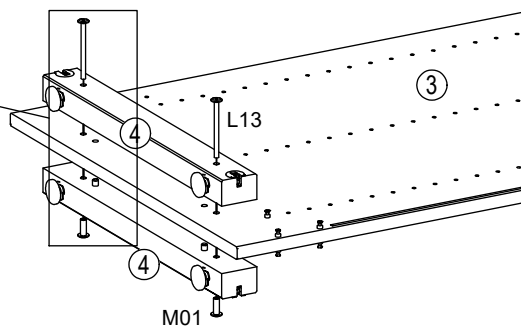
M6, ø8 x 22mm

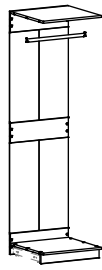


Z04

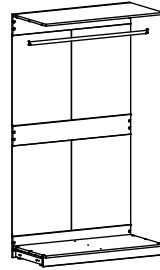
1 x

4mm



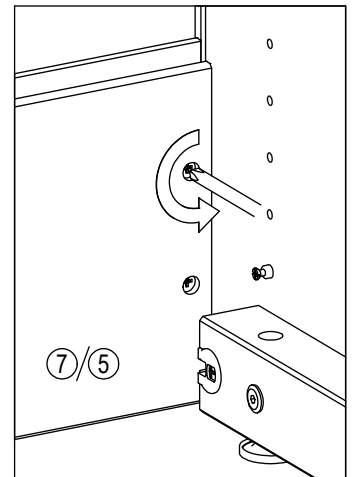
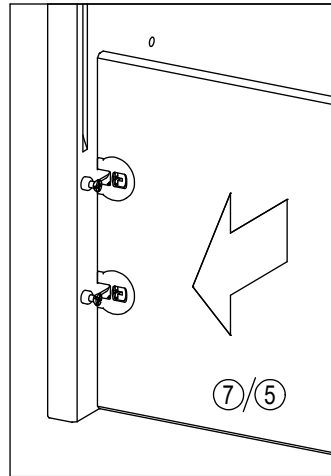
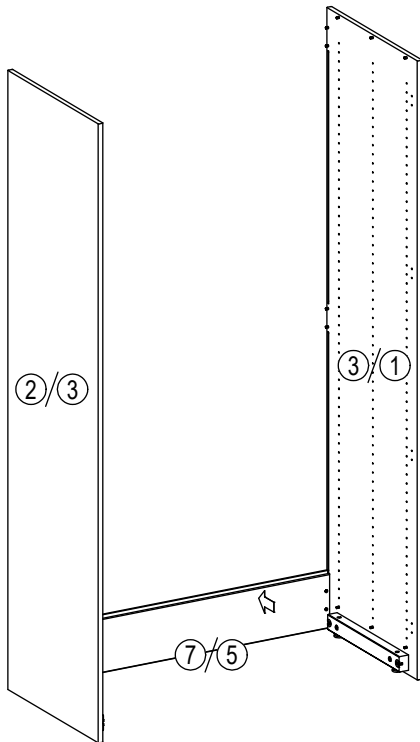


335 01 1:1

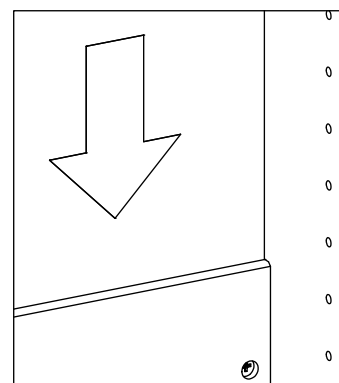
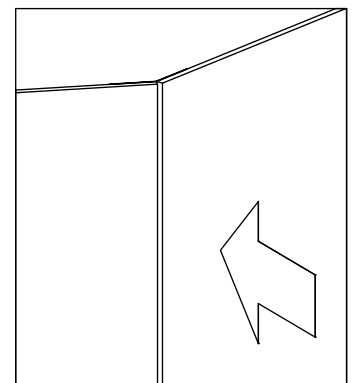
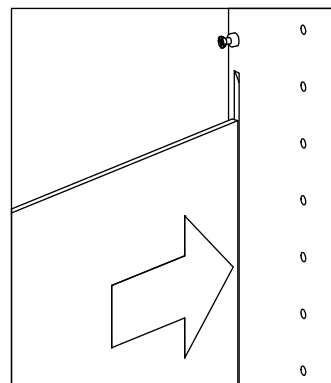
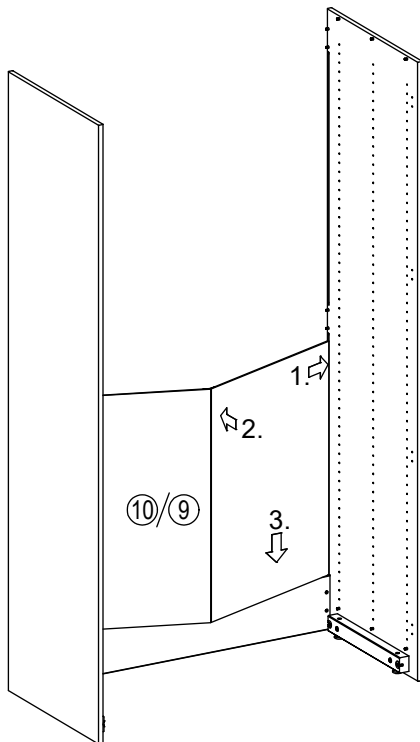


335 02 1:2 + 2:2

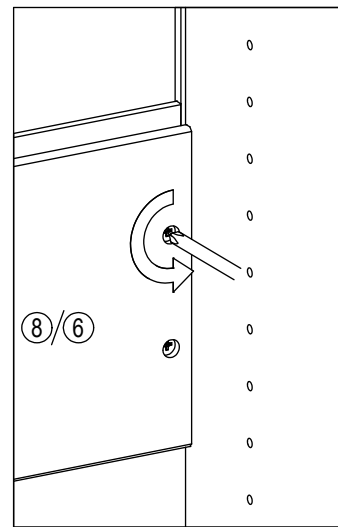
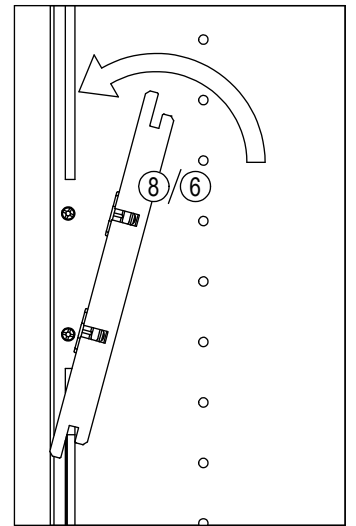
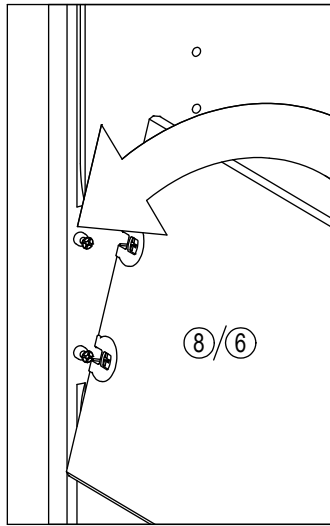
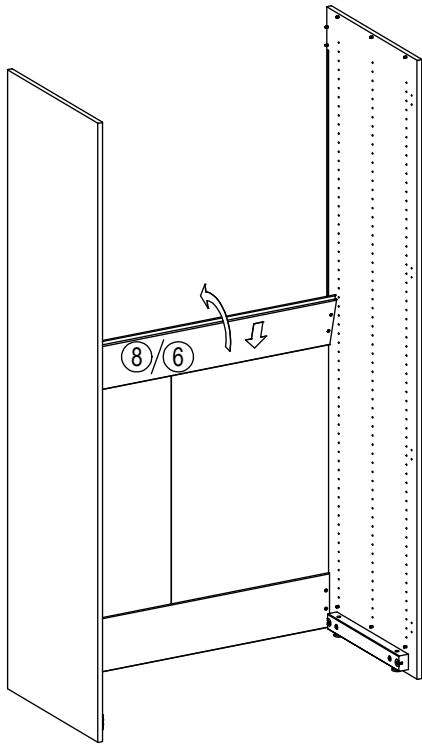
# 7



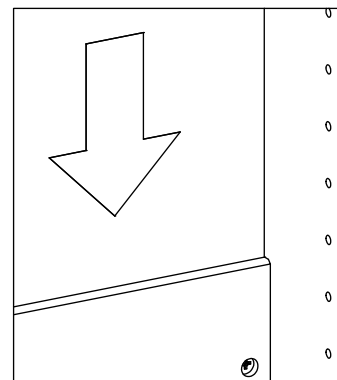
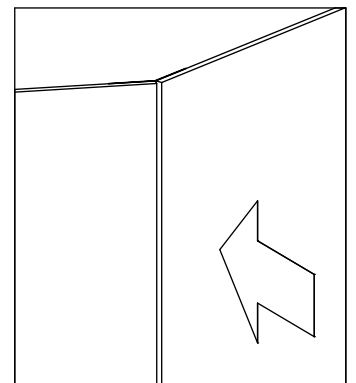
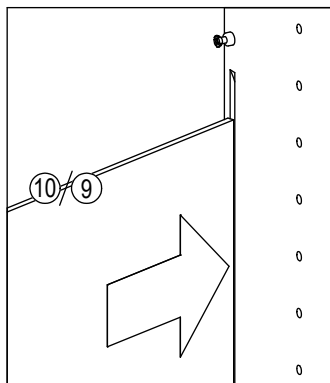
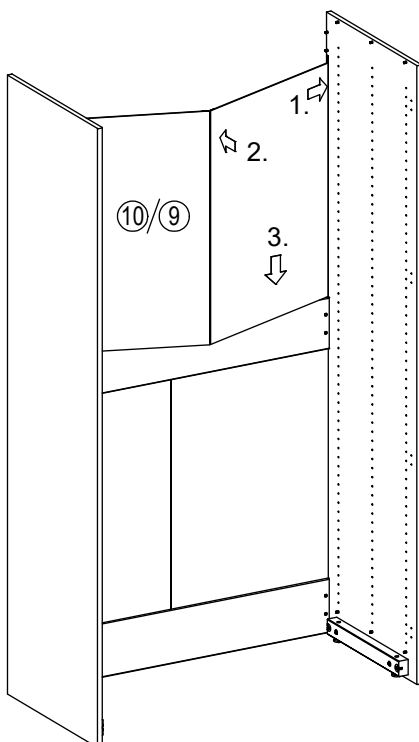
# 8



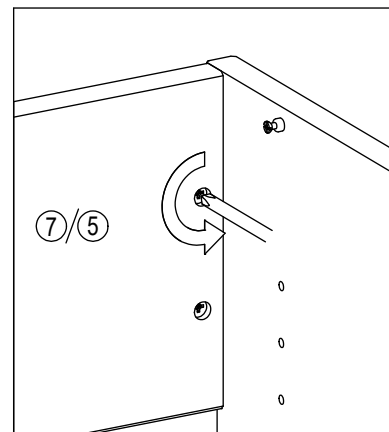
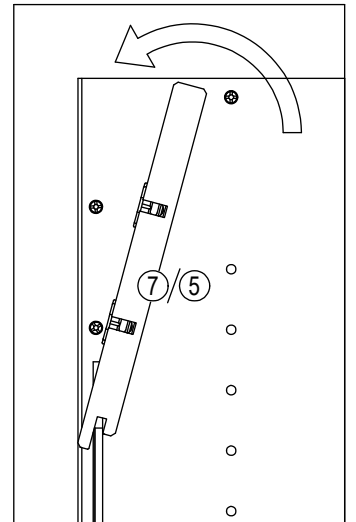
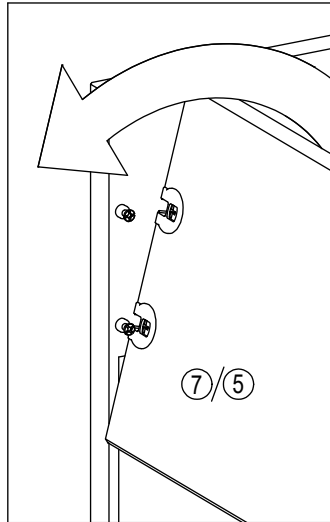
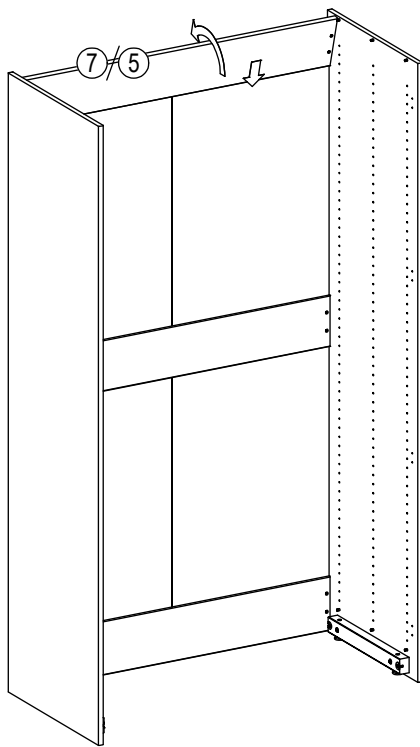
# 9



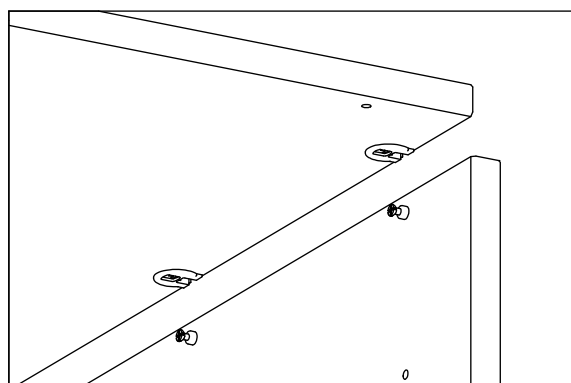
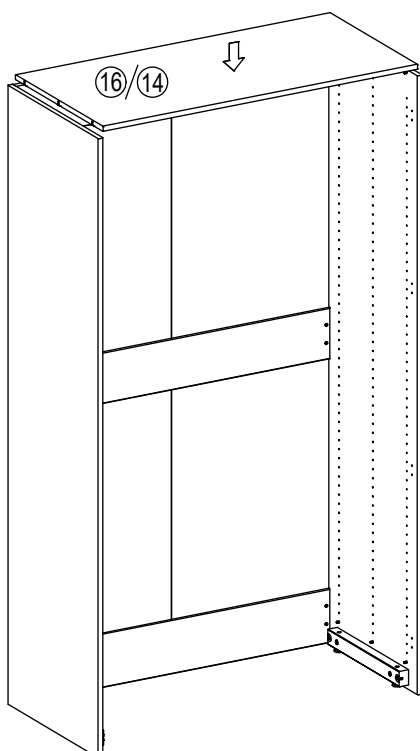
# 10



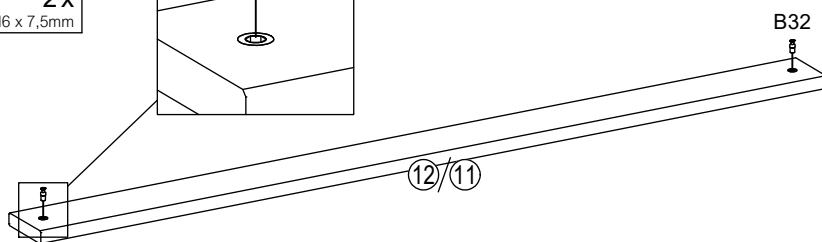
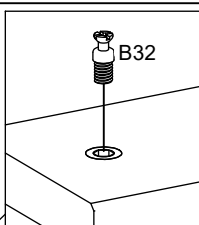
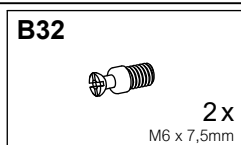
# 11



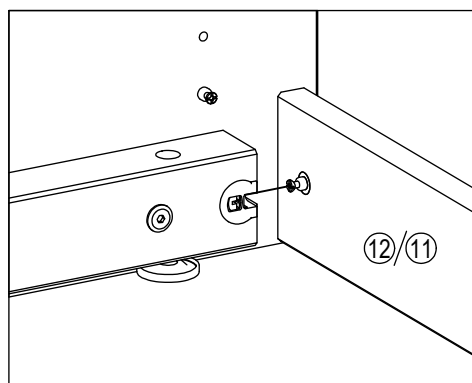
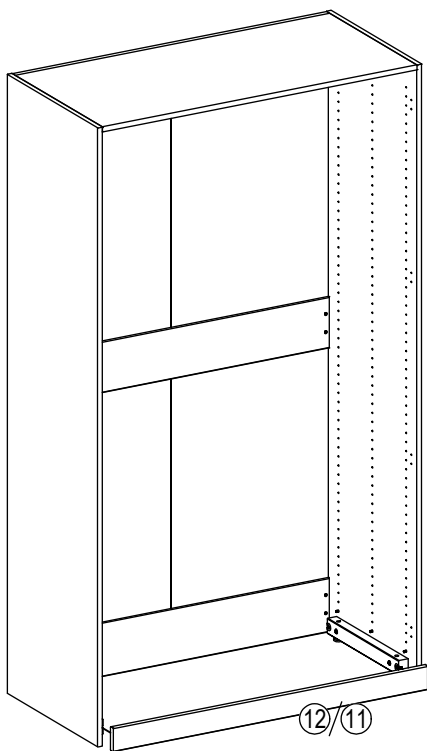
# 12



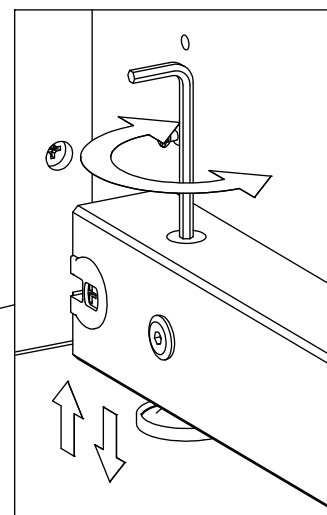
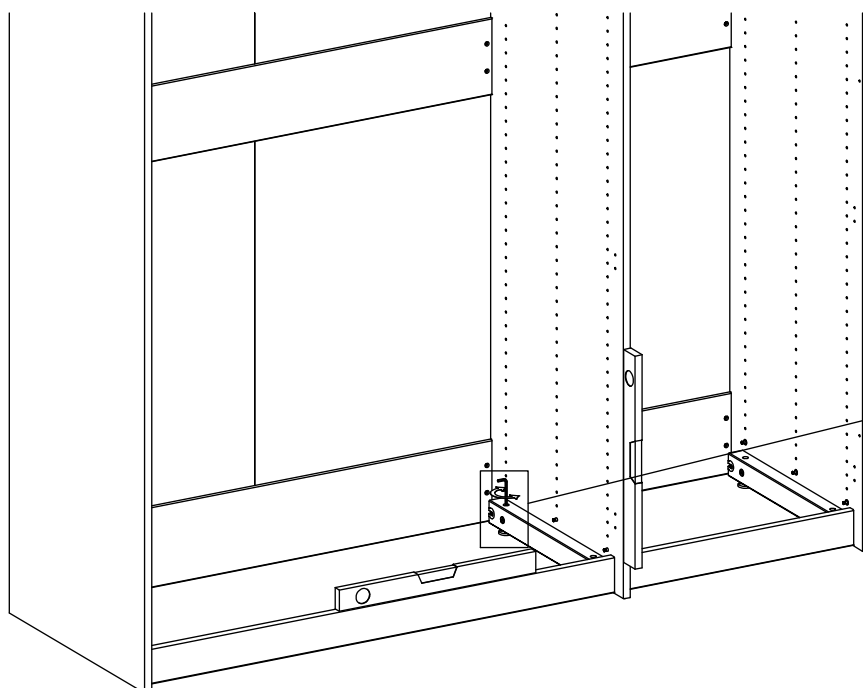
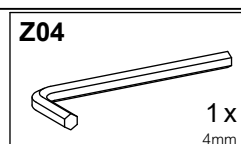
# 13



# 14


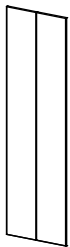


# 15




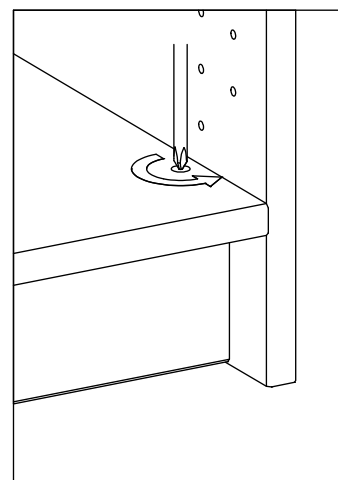
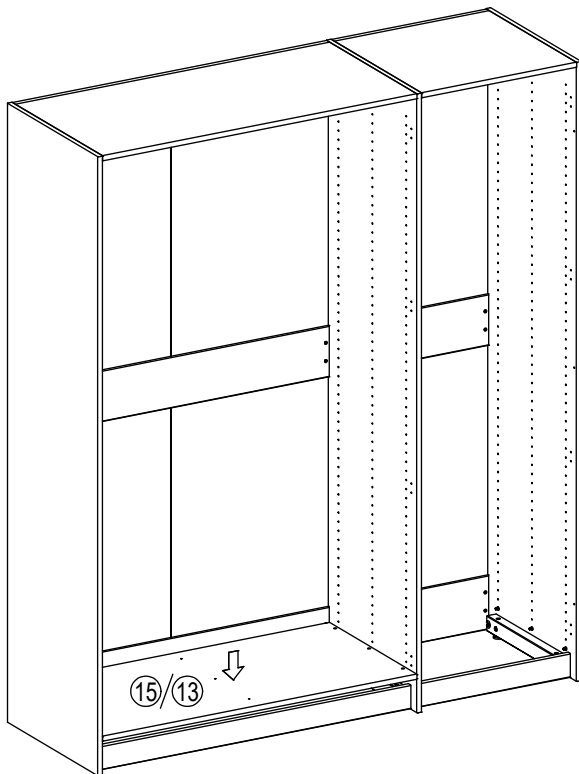


# 16

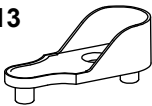
335 30  
335 31  
335 32  
335 33






# 17

**N13**

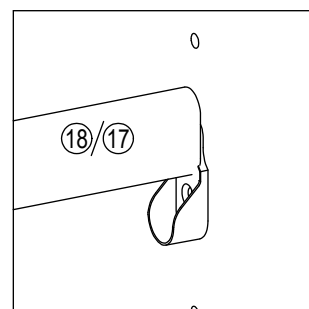
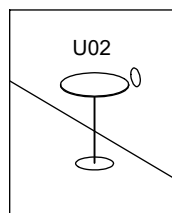
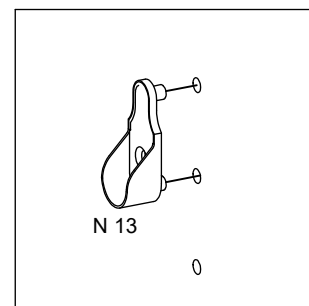
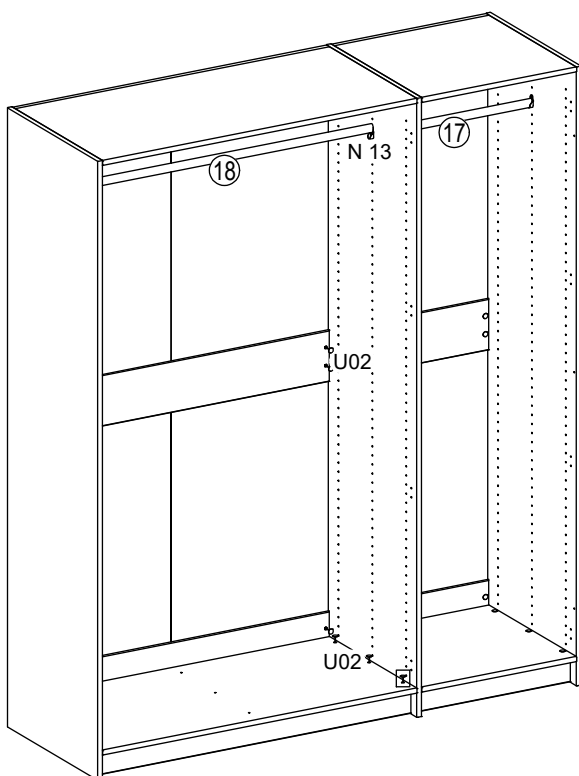


2x

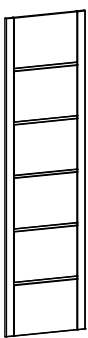
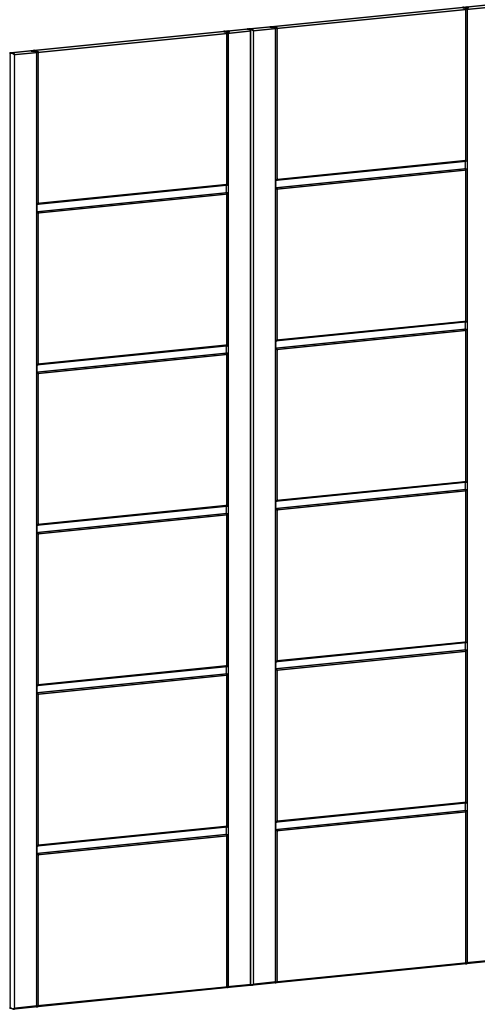
**U01**



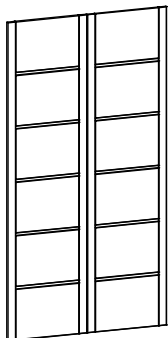
18x  
ø18mm



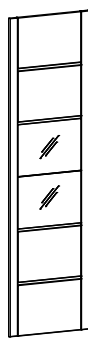
# Rødvig Doors



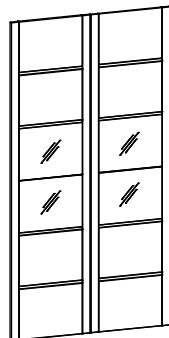
335 20



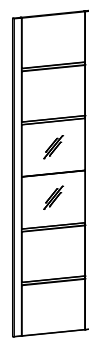
335 21



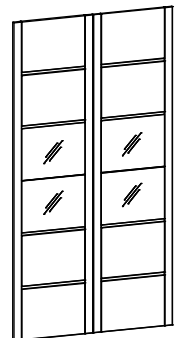
335 22



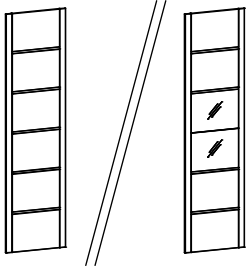
335 23



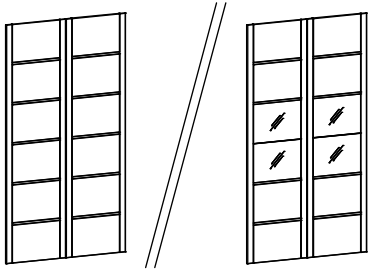
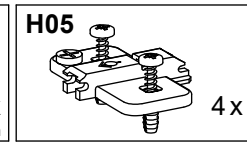
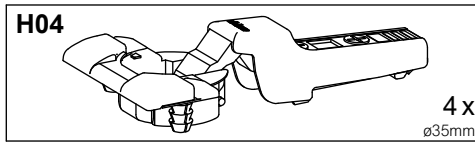
335 24



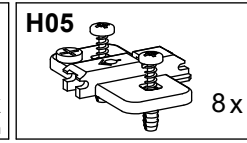
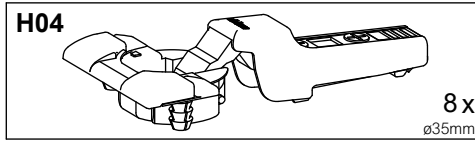
335 25



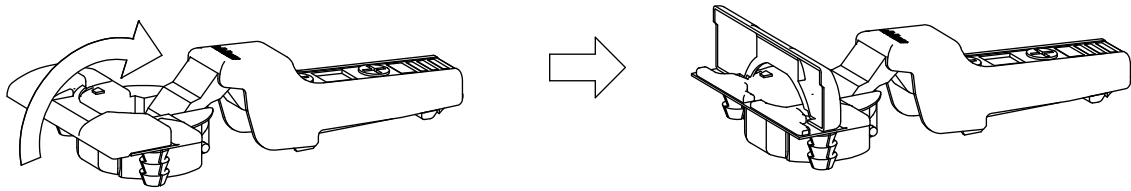
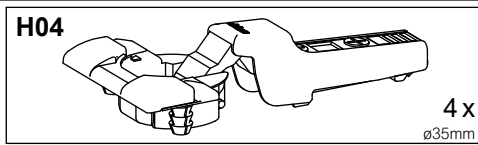
335 20 1:1  
 335 22 1:1  
 335 24 1:1



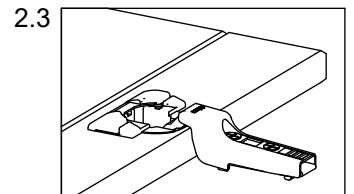
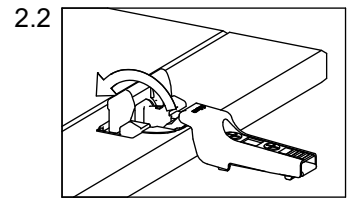
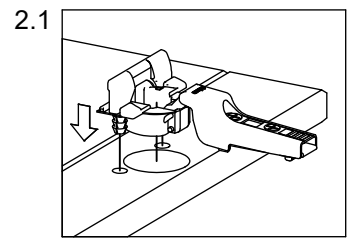
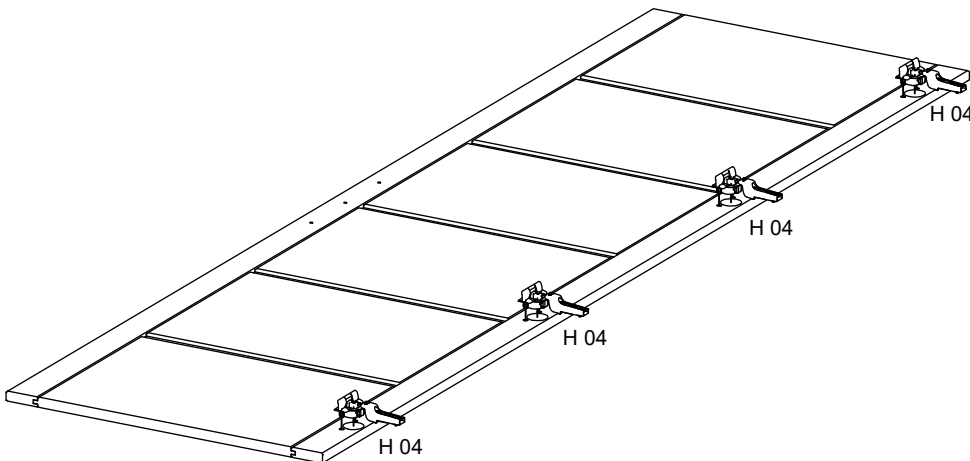
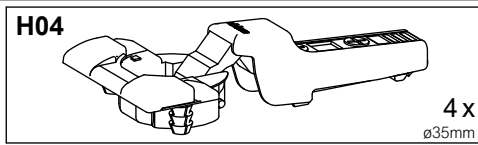
335 21 1:1  
 335 23 1:1  
 335 25 1:1



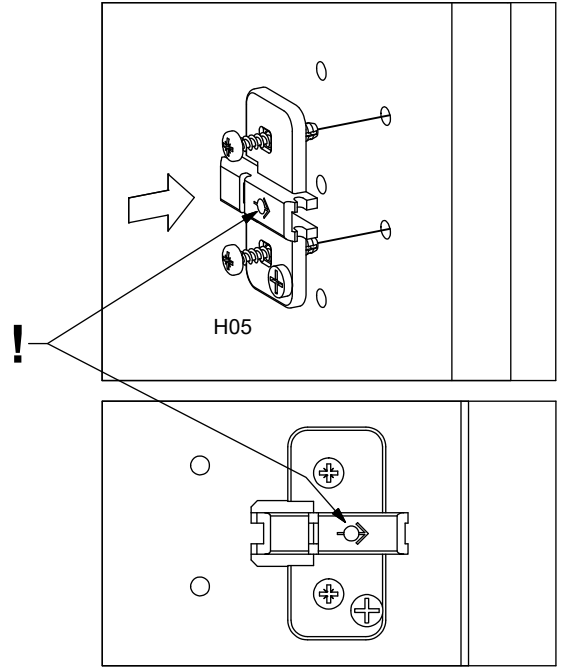
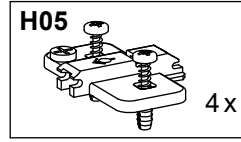
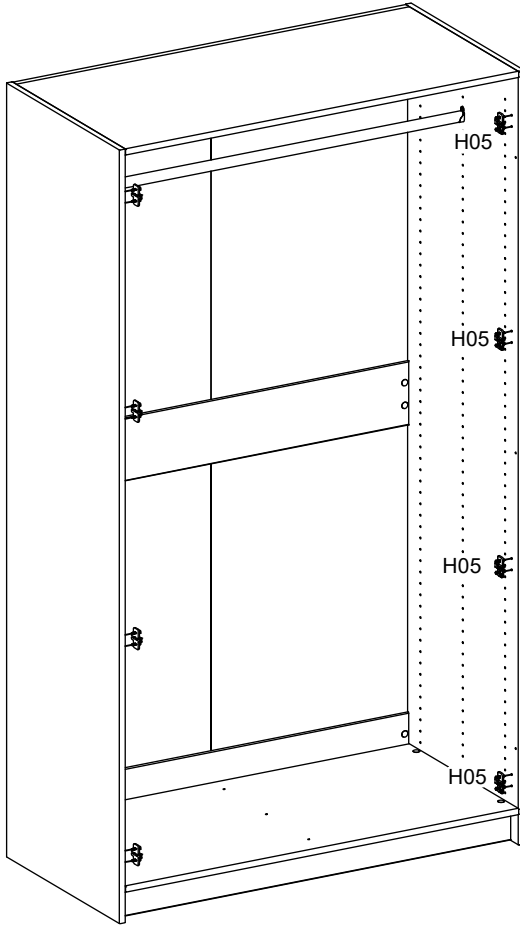
**1**



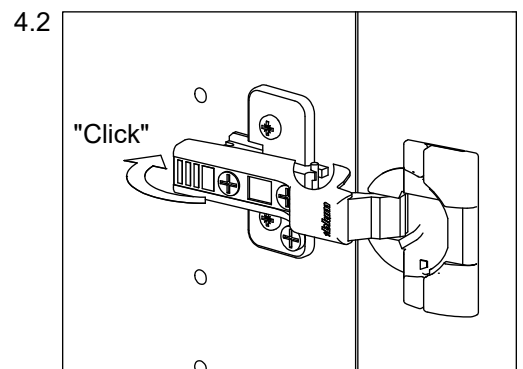
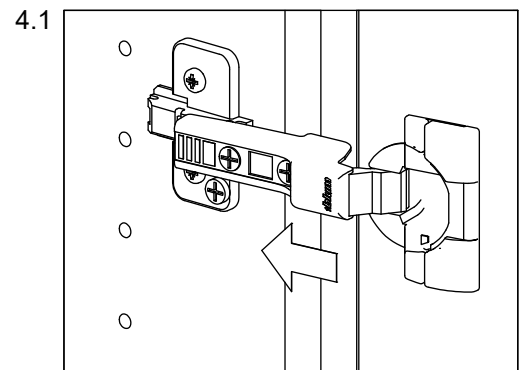
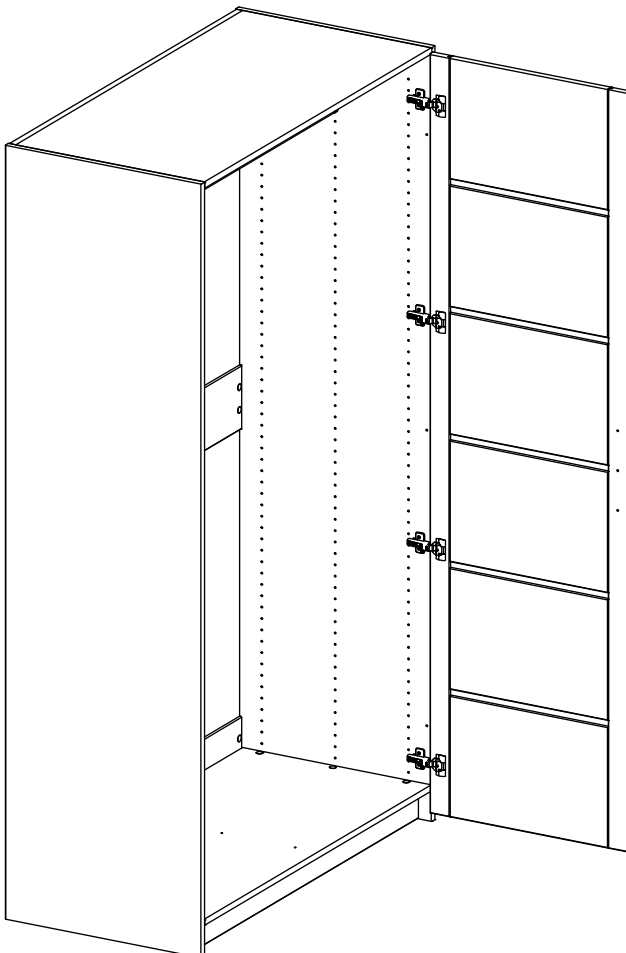
**2**



3



4



# 5

