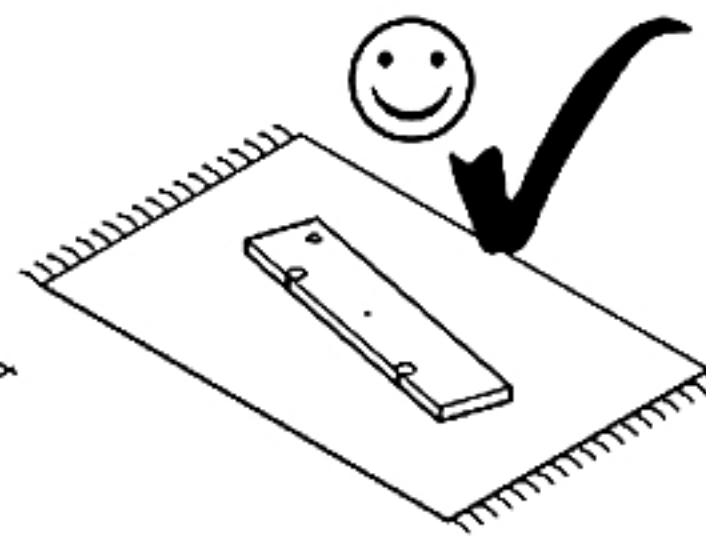
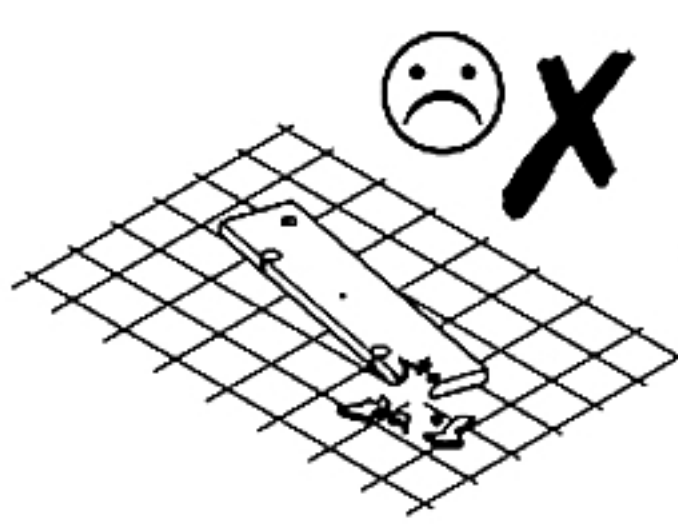
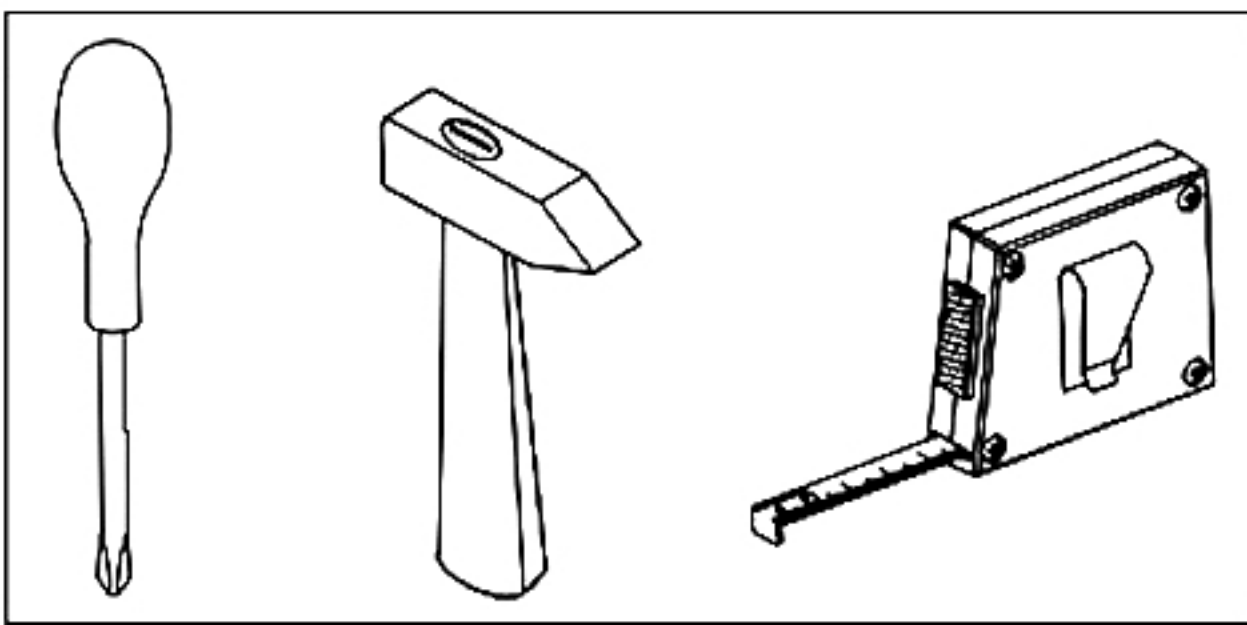
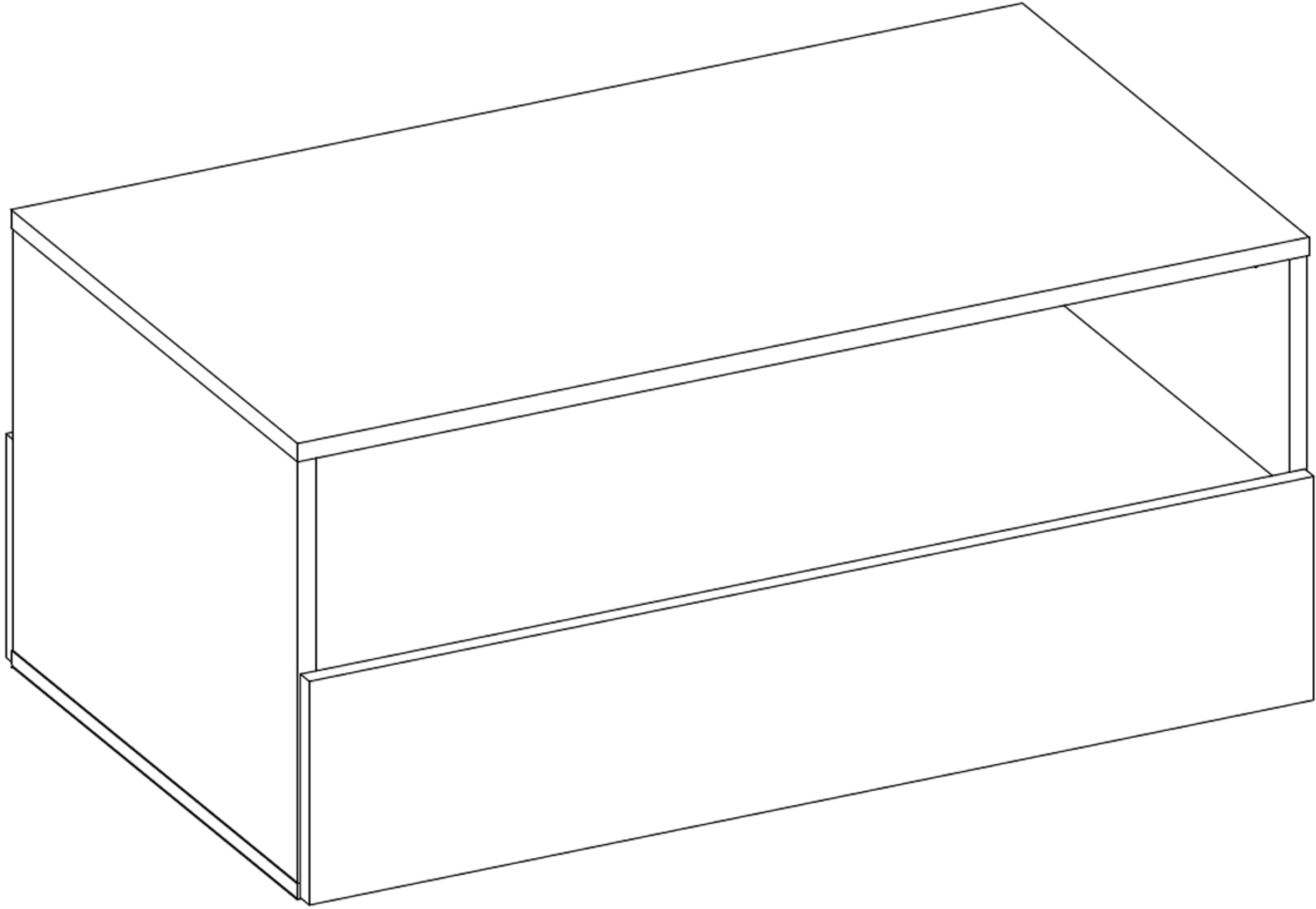
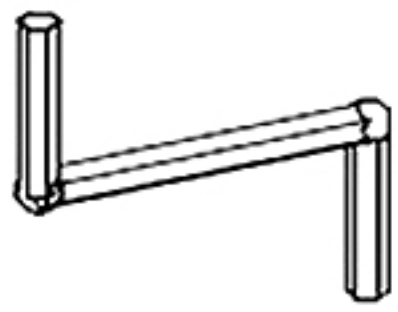



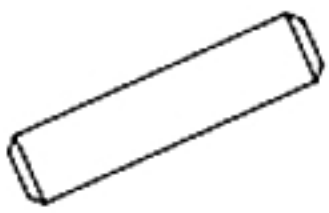


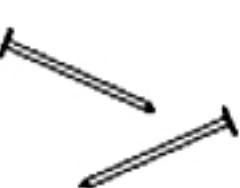

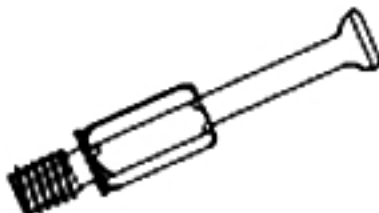



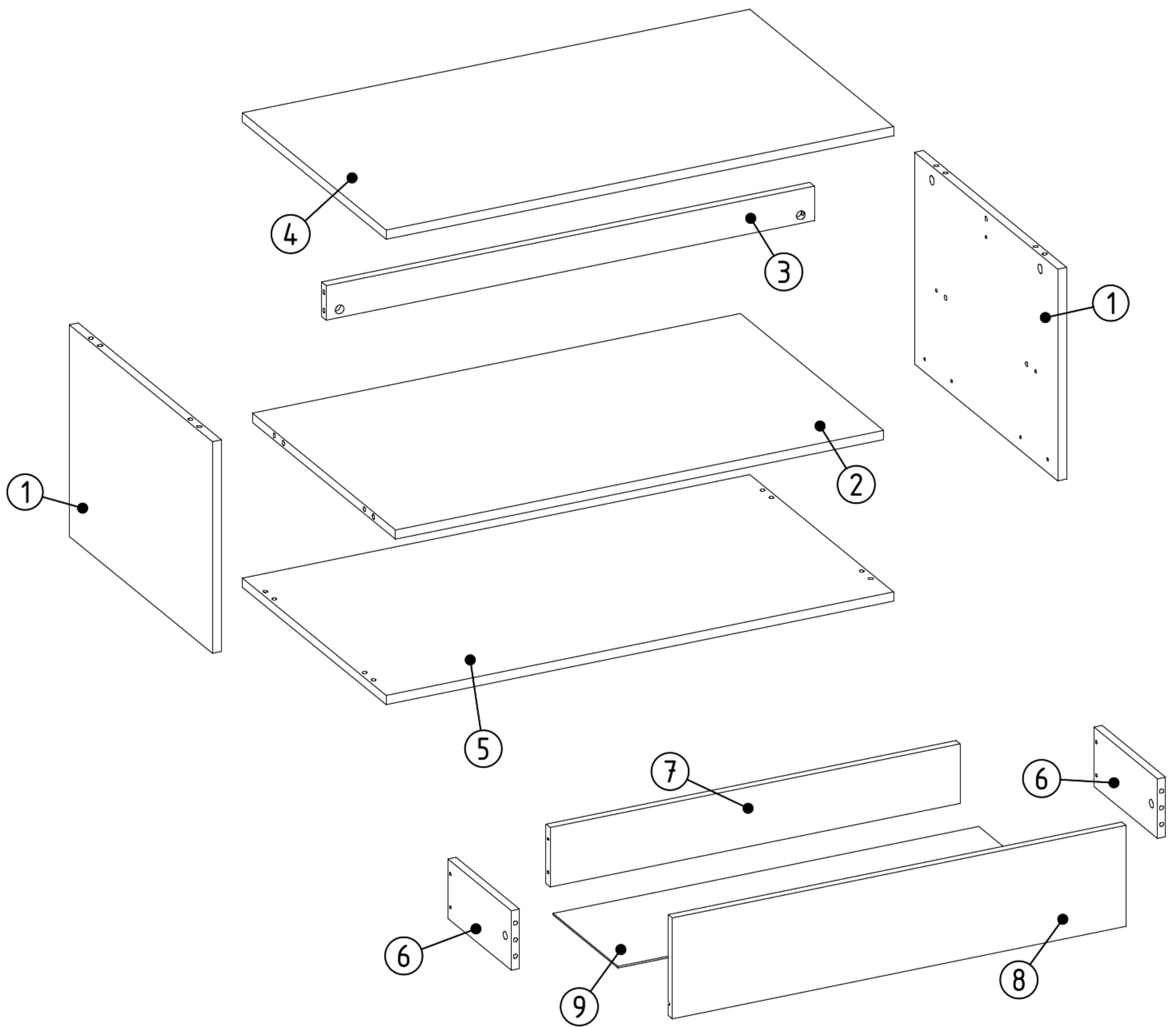


25.03.2020

REBEL



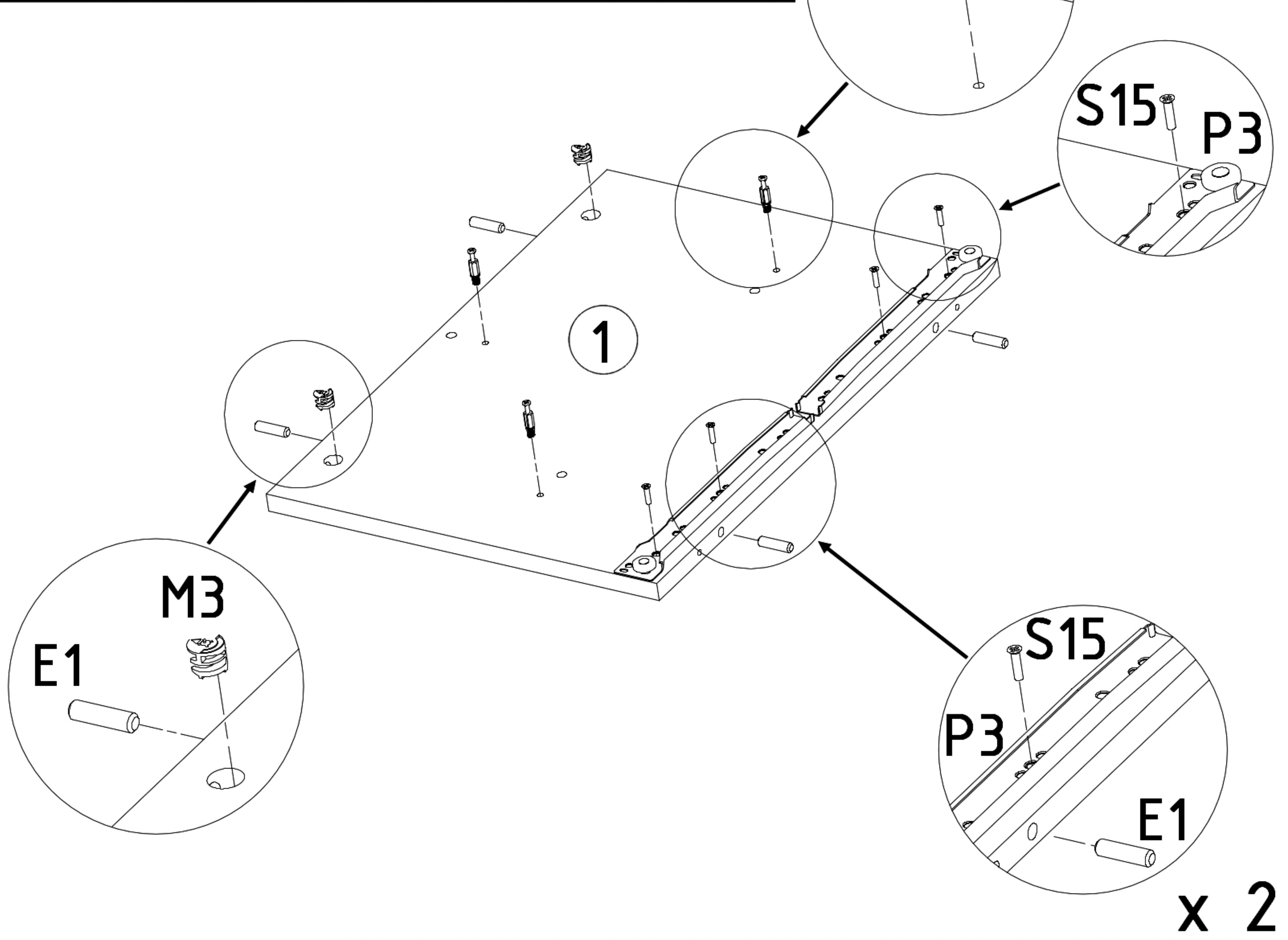
K1  x1	M3  12x15mm x14	E4  L=43mm x8	S1  3,5x16mm x8	E1  8x30mm x22	M2  ø17mm x6	
T1  x4	Z2  x10	P2  L=250mm x2	N2  L=35mm x14	M2  ø17mm x10	F2  7x50mm x4	S15  6x8mm x8





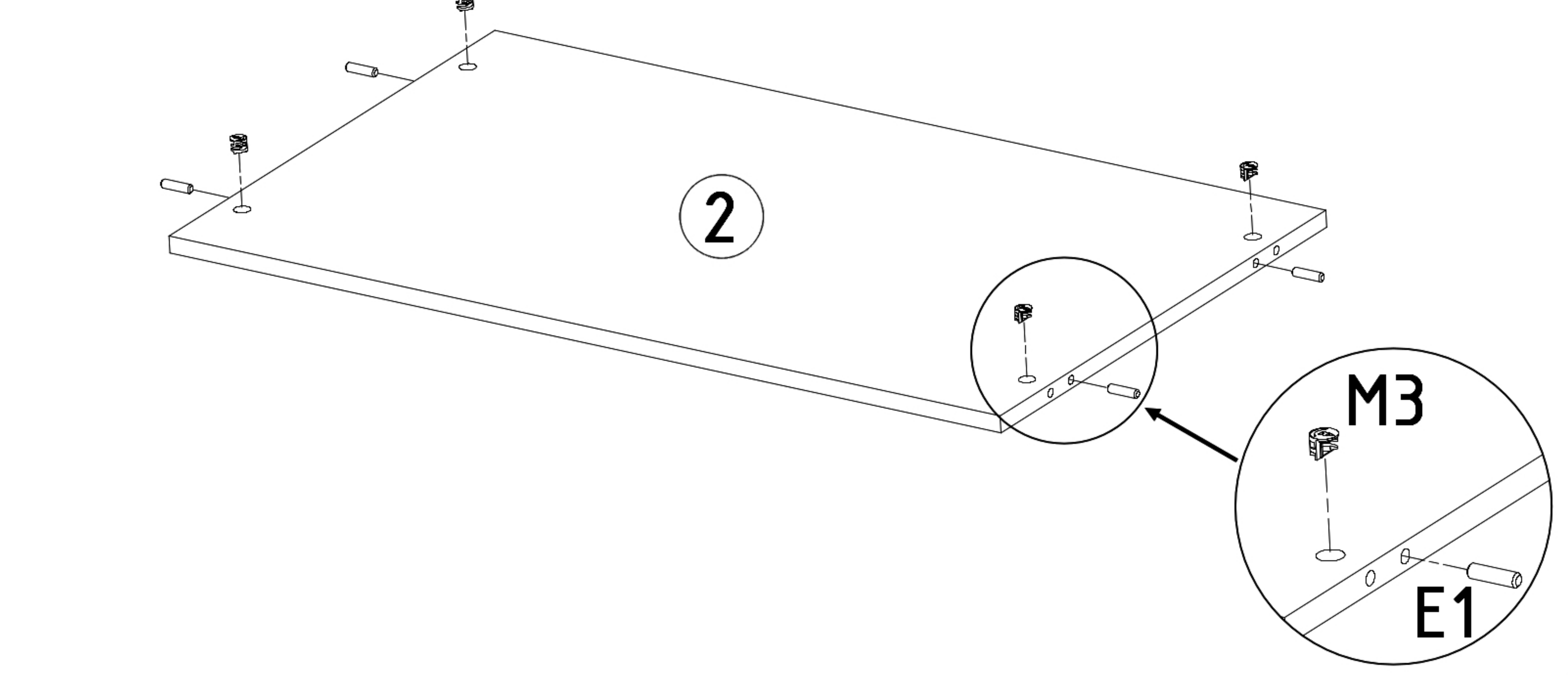
1	x 2
2	x 1
3	x 1
4	x 1
5	x 1

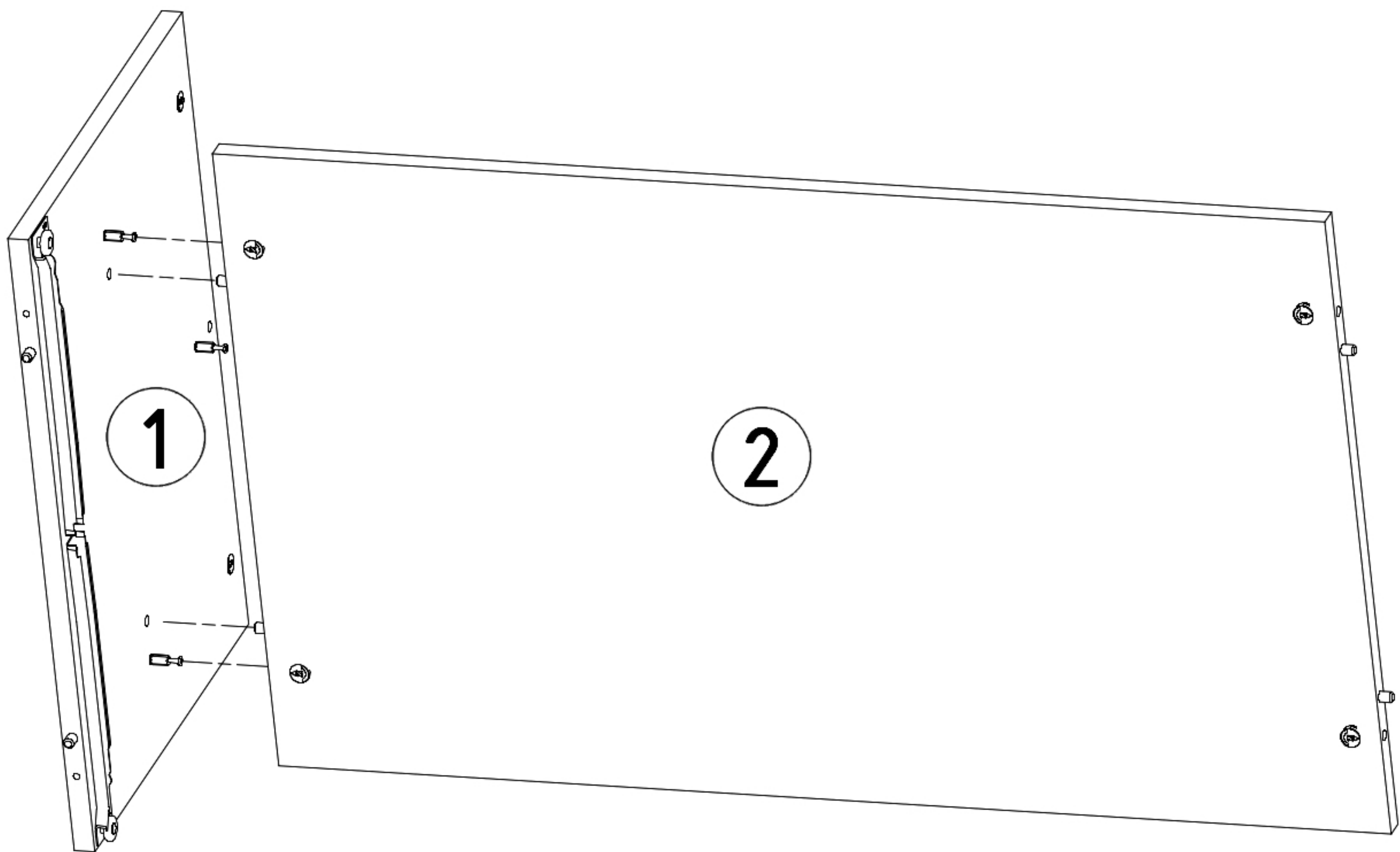
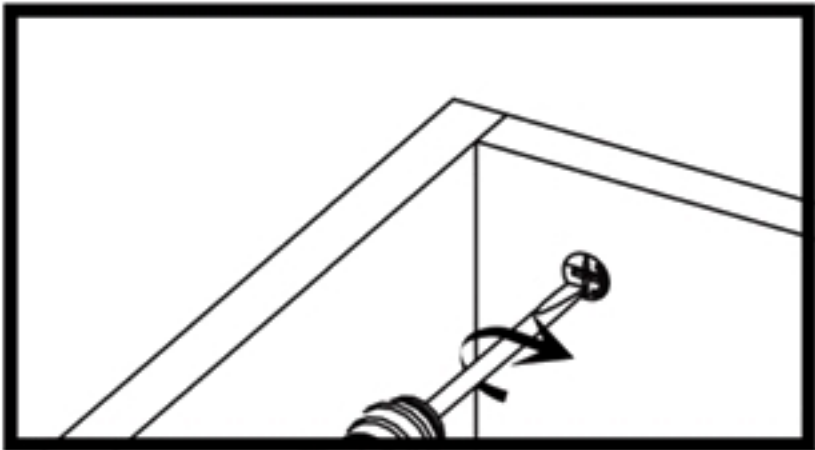
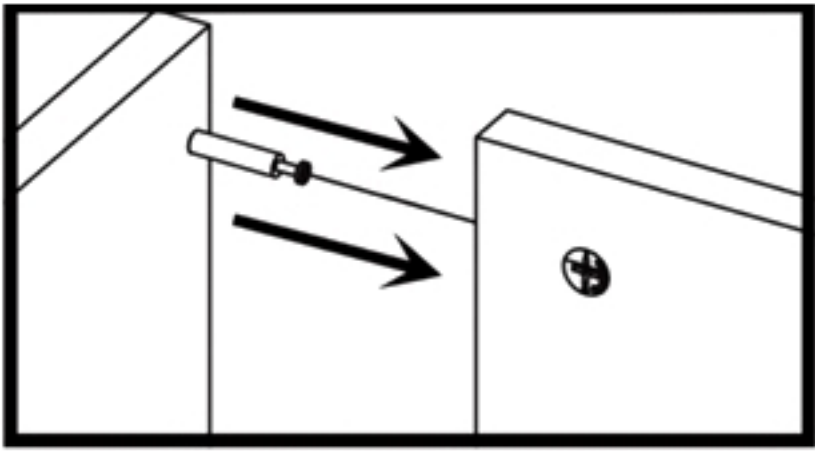
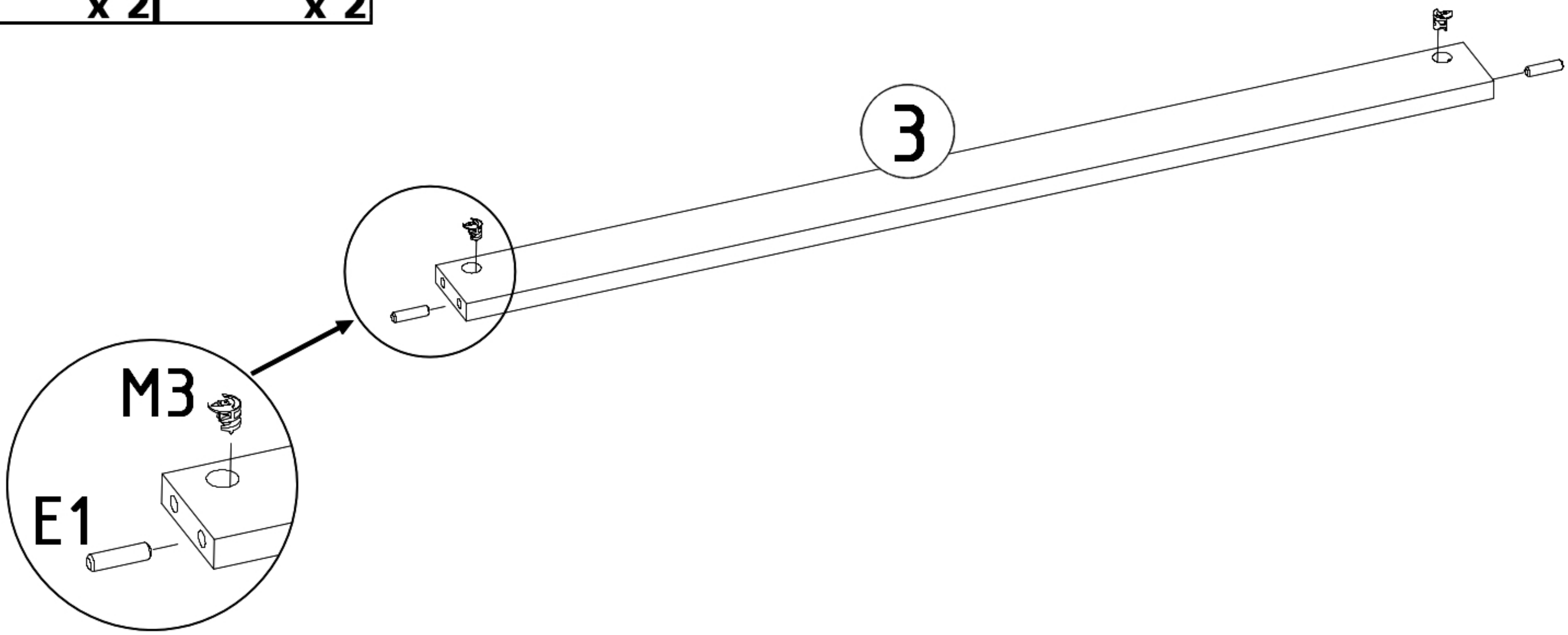
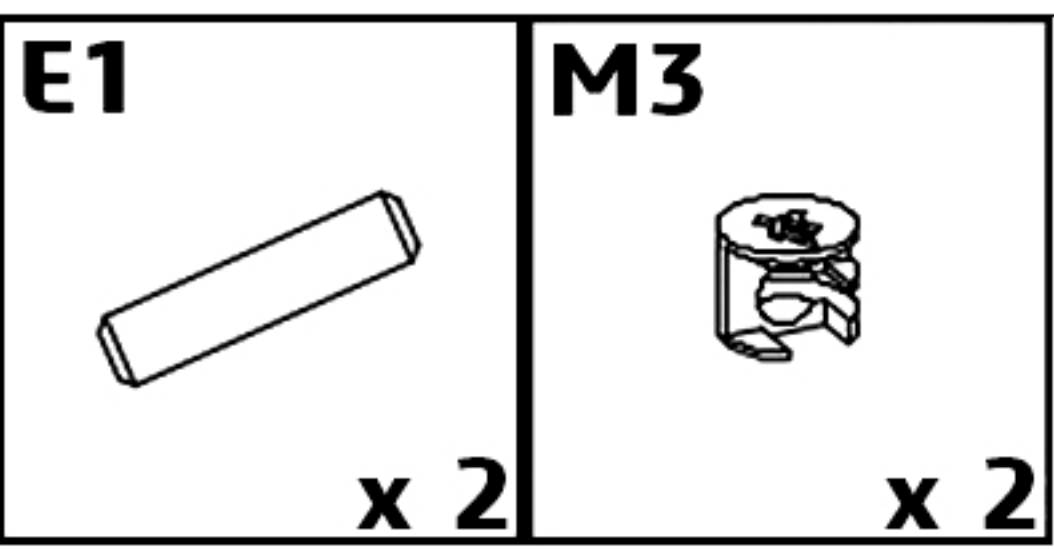
6	x 4
7	x 2
8	x 2
9	x 2

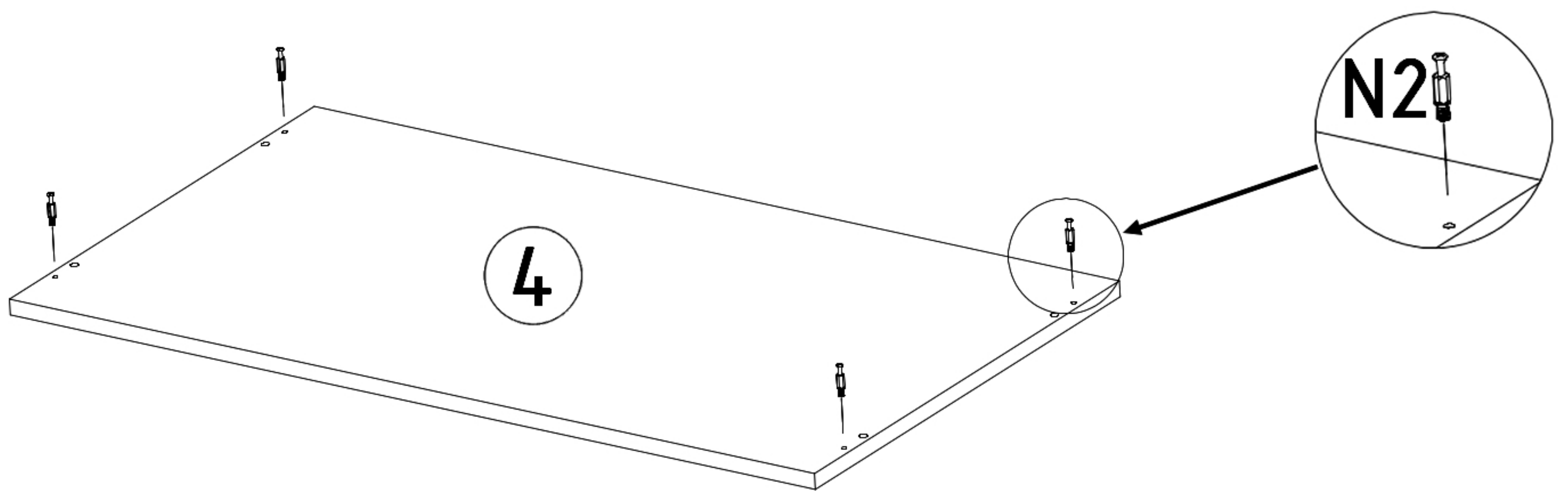
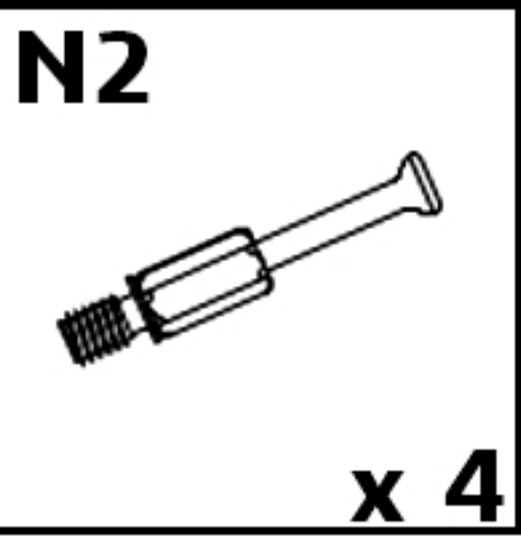
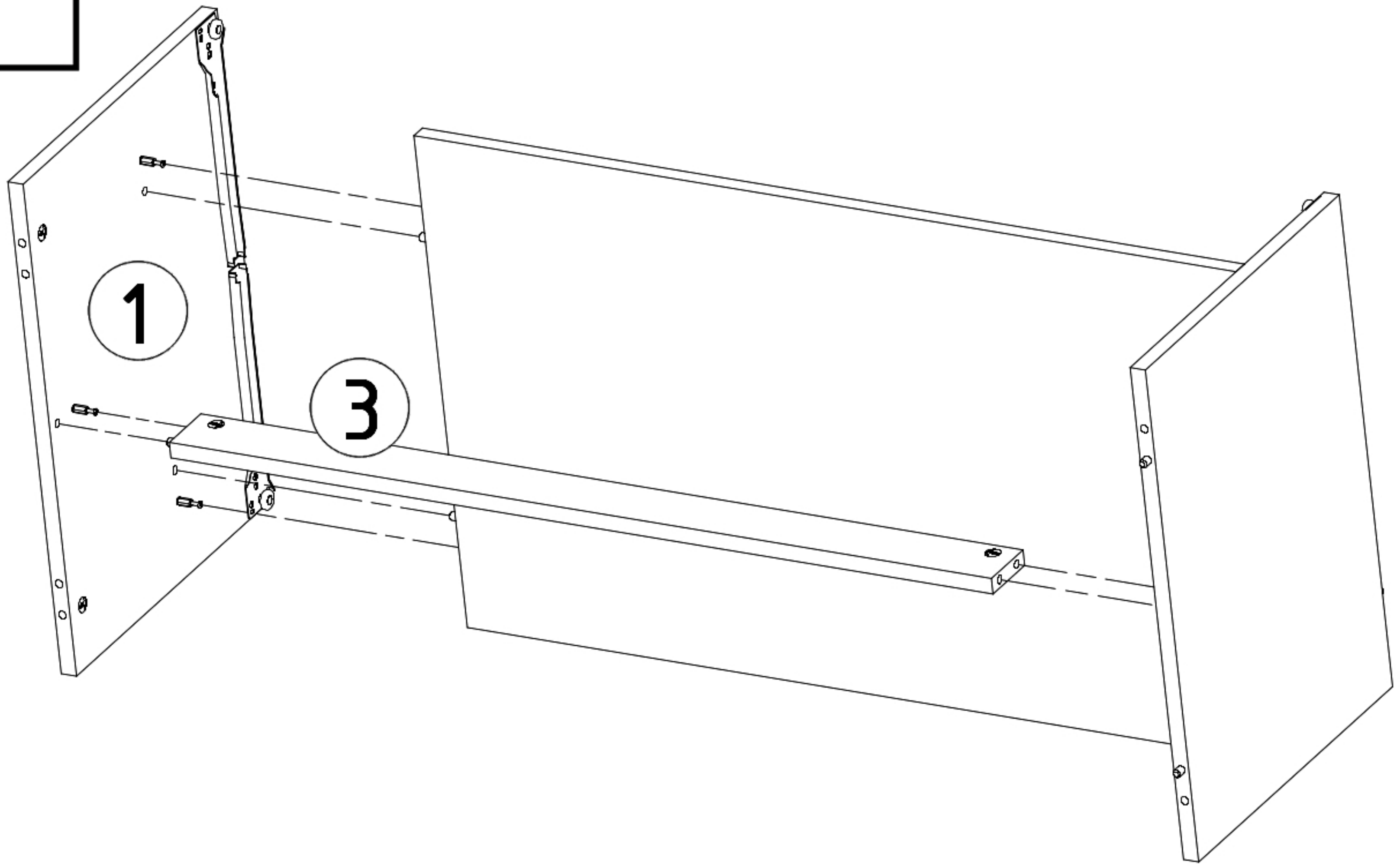
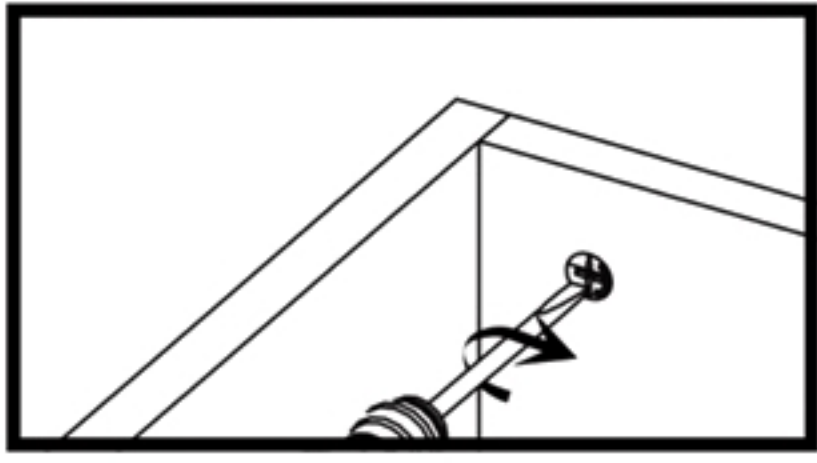
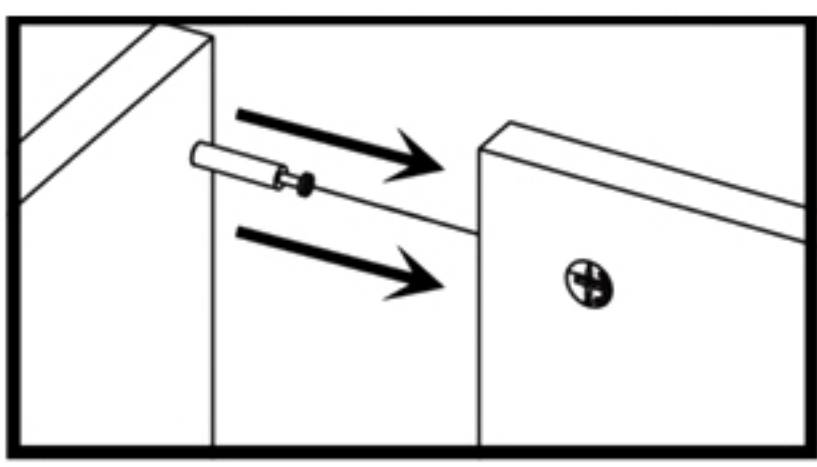
M3  x 4	P3  x 2	S15  x 8	E1  x 8	N2  x 6
---	---	--	---	---



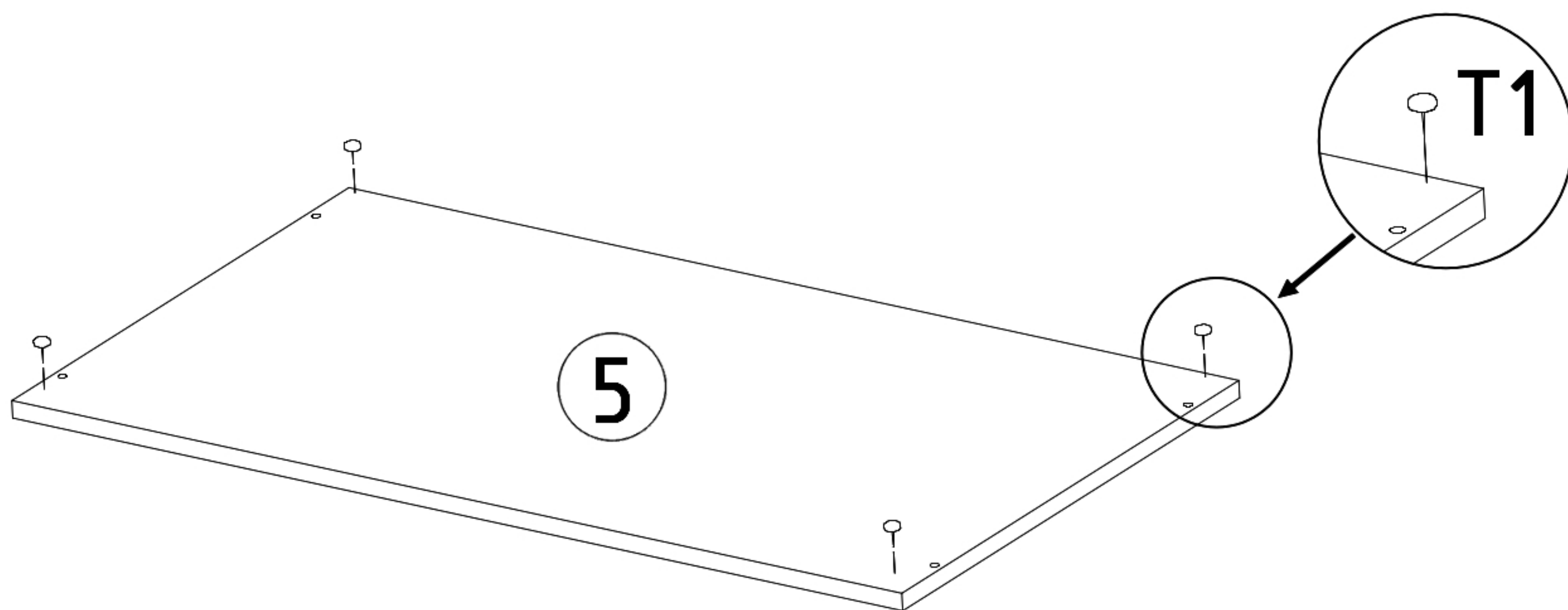
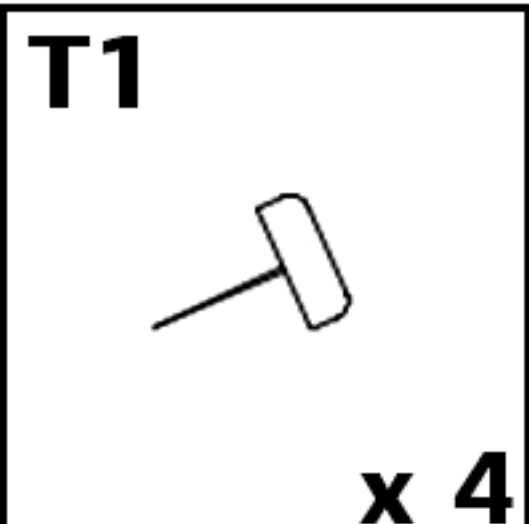
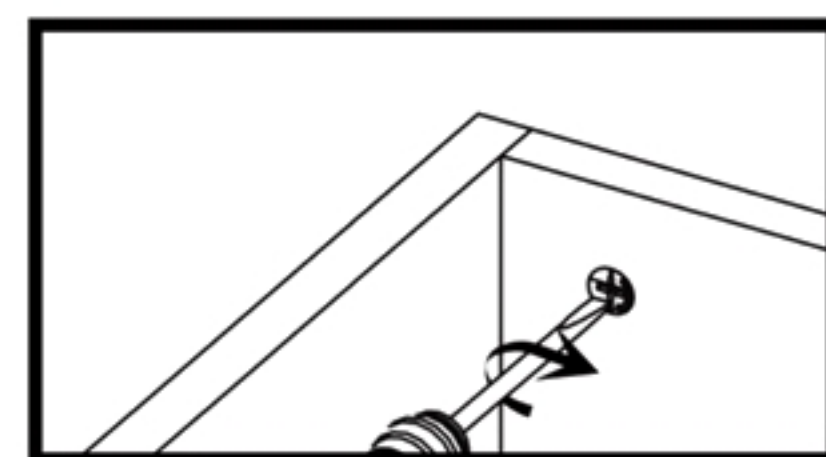
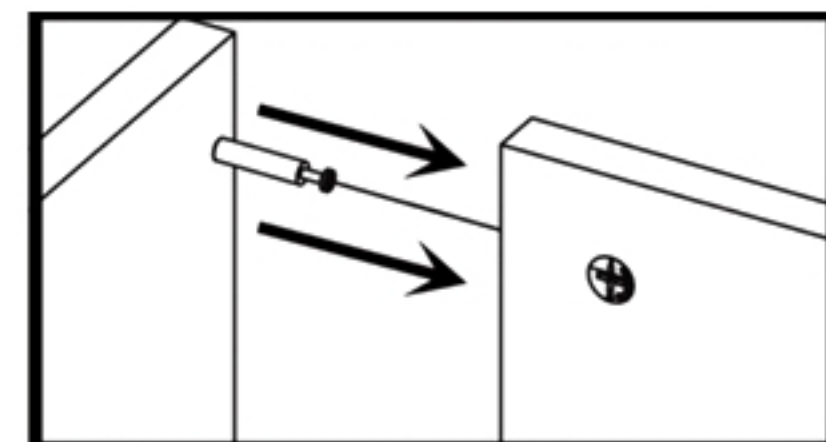
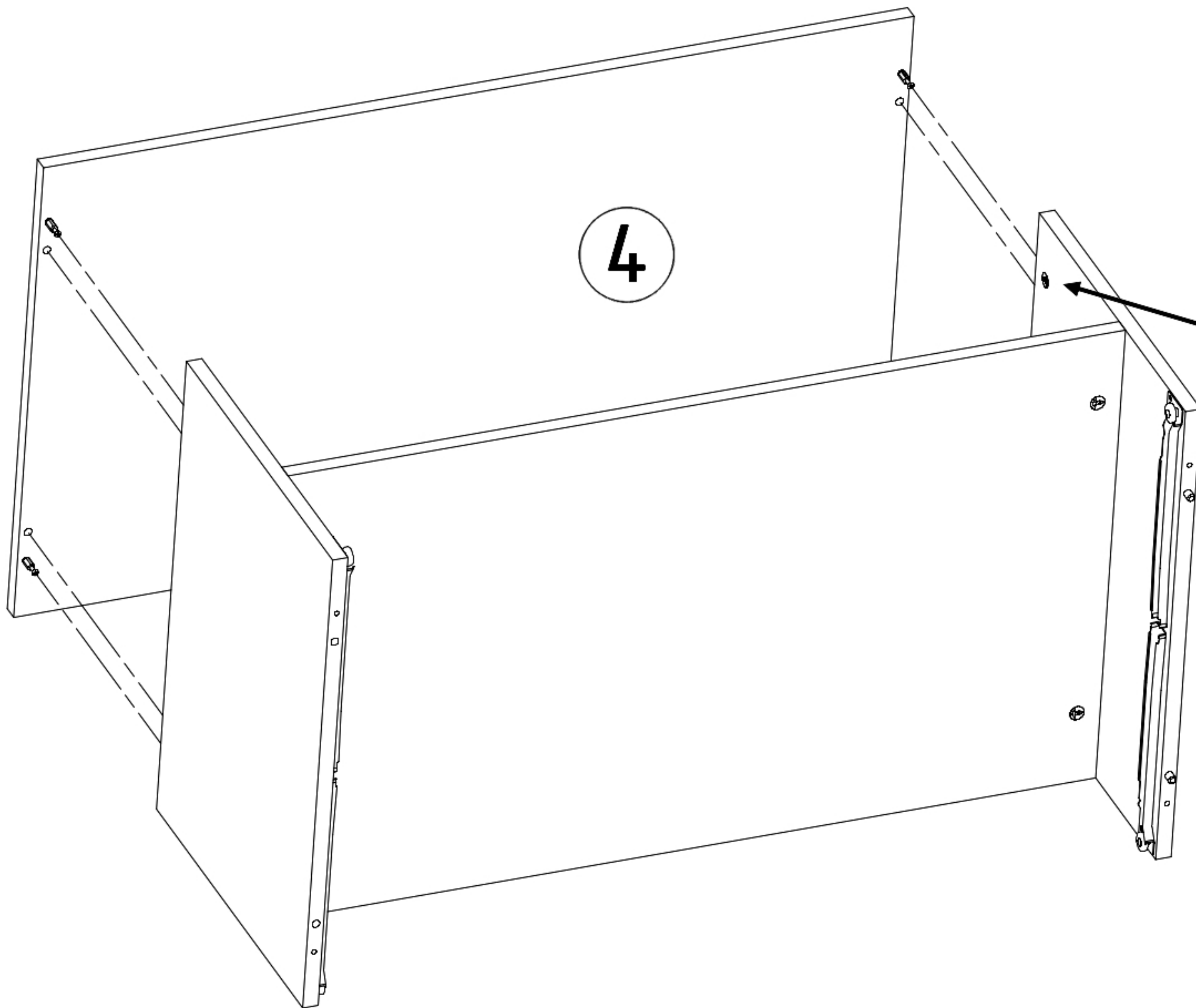
E1  x 4	M3  x 4
--	---



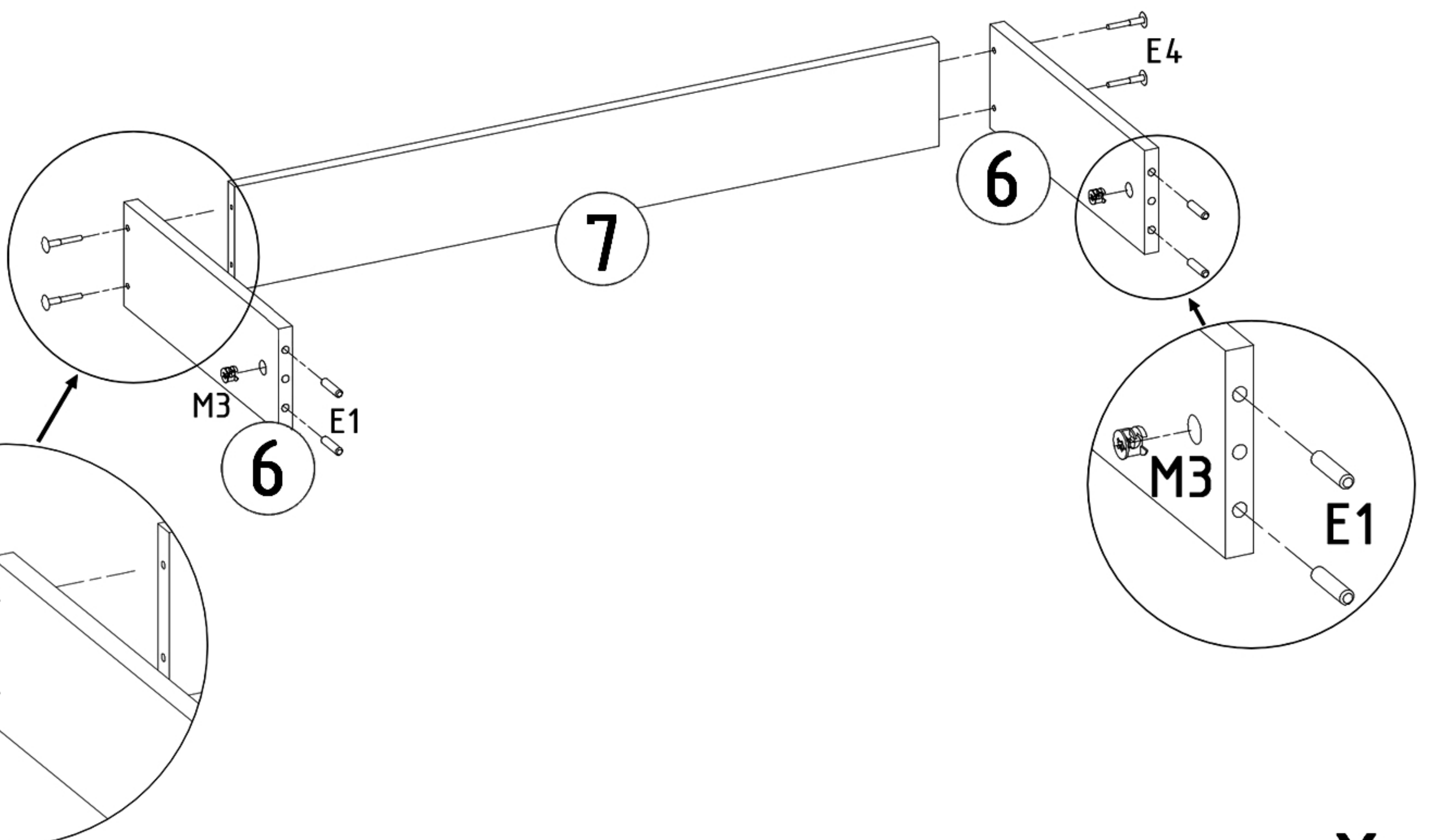
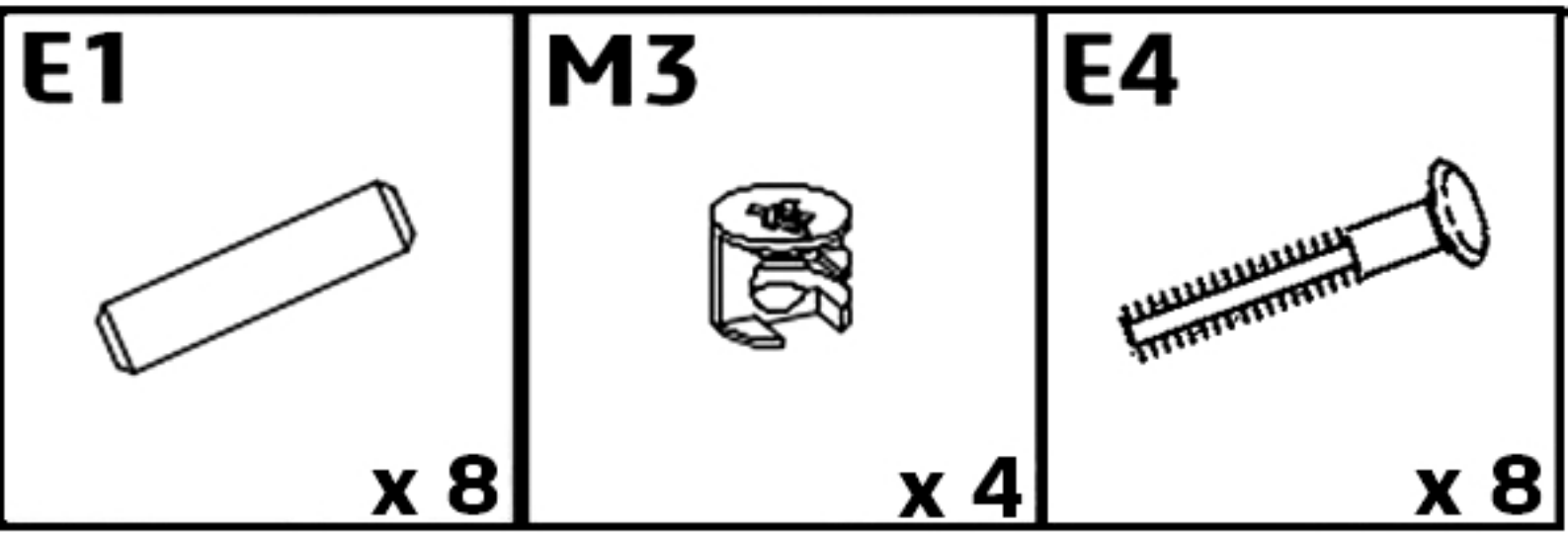
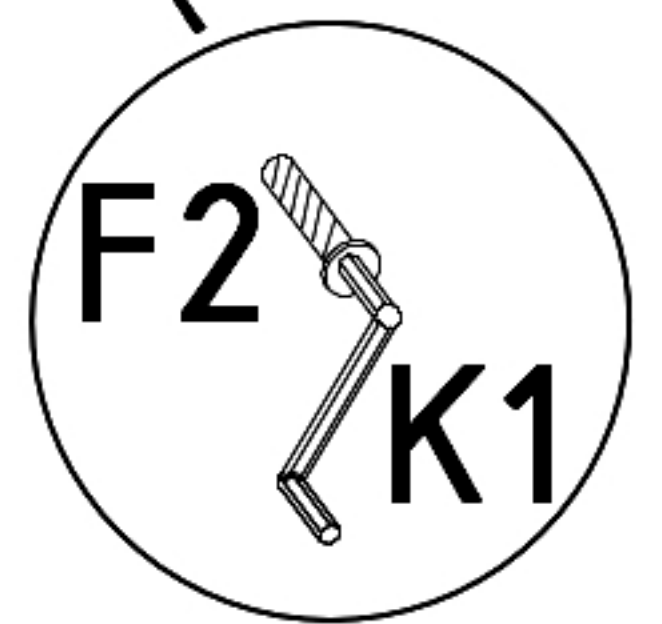
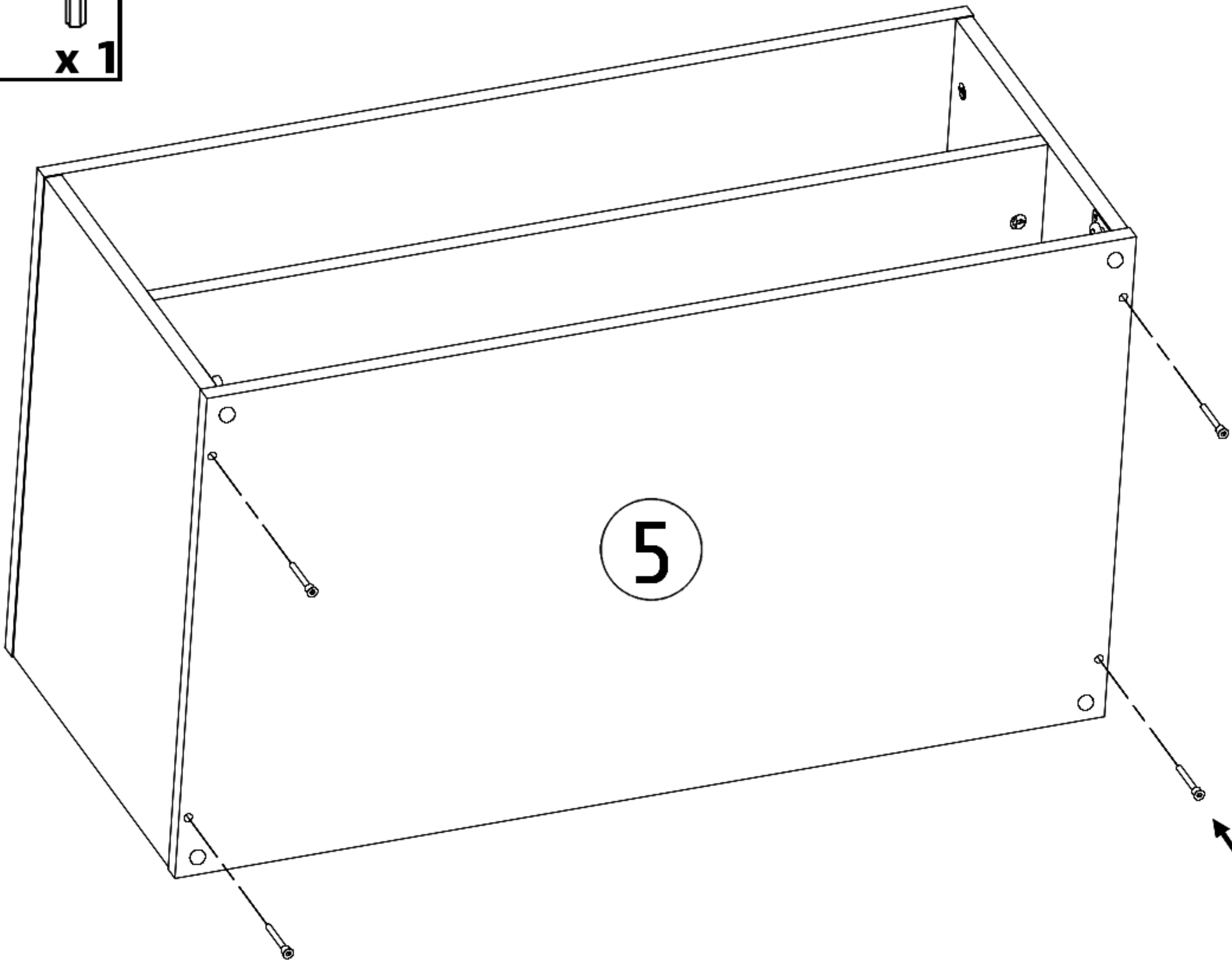
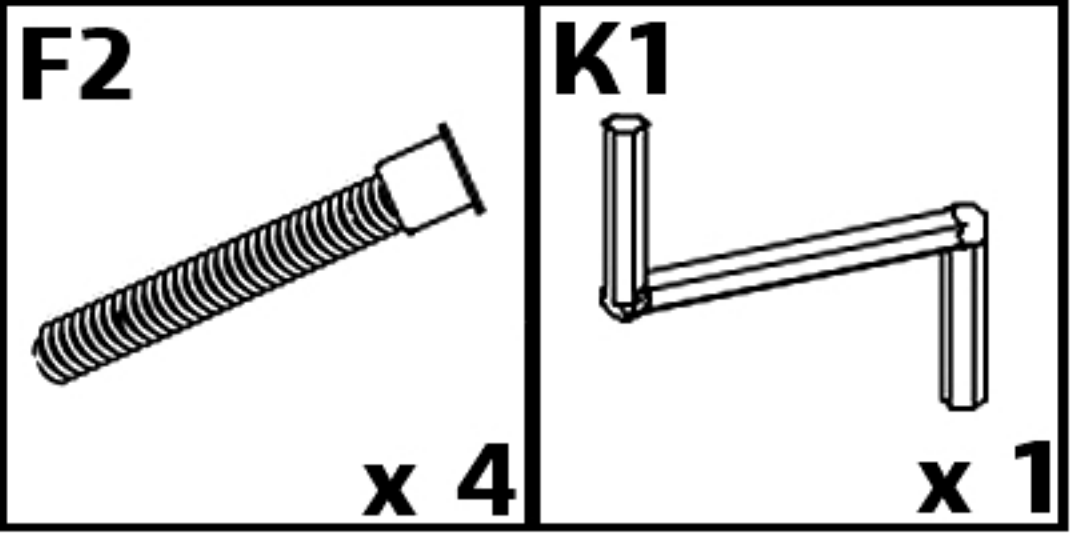




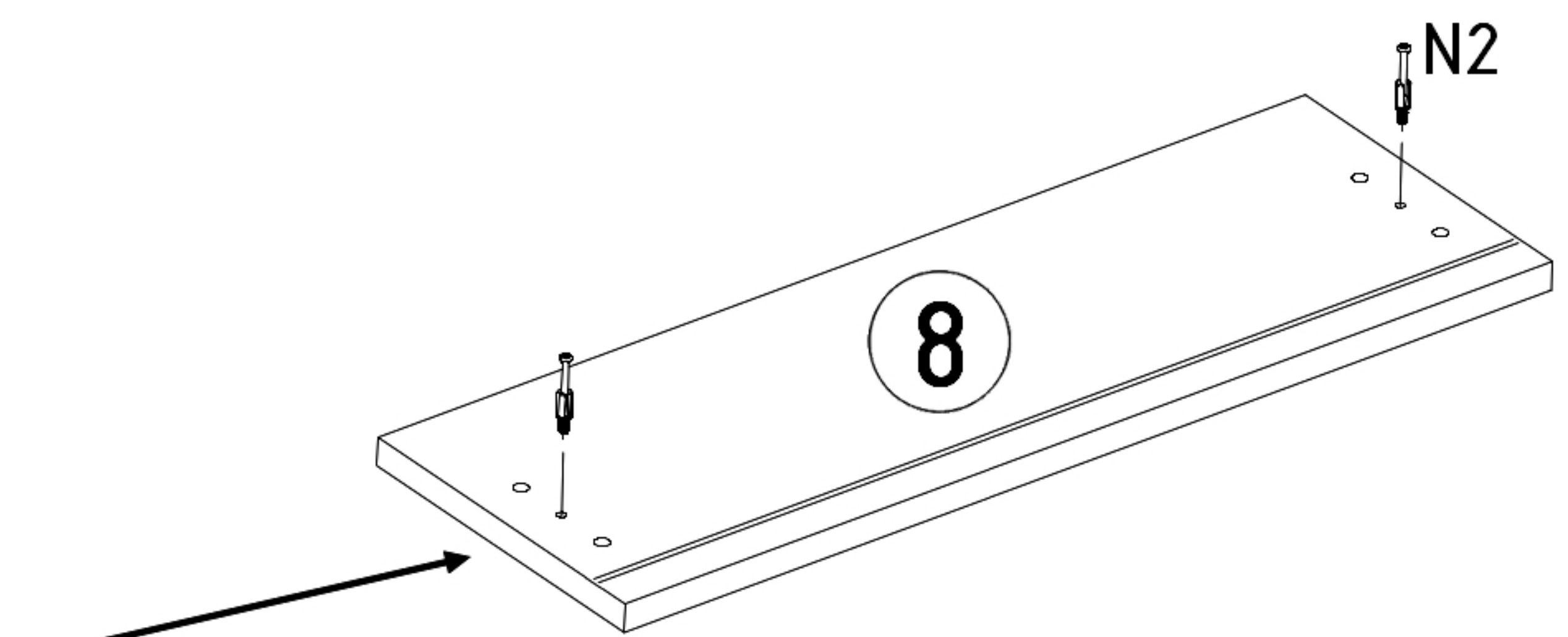
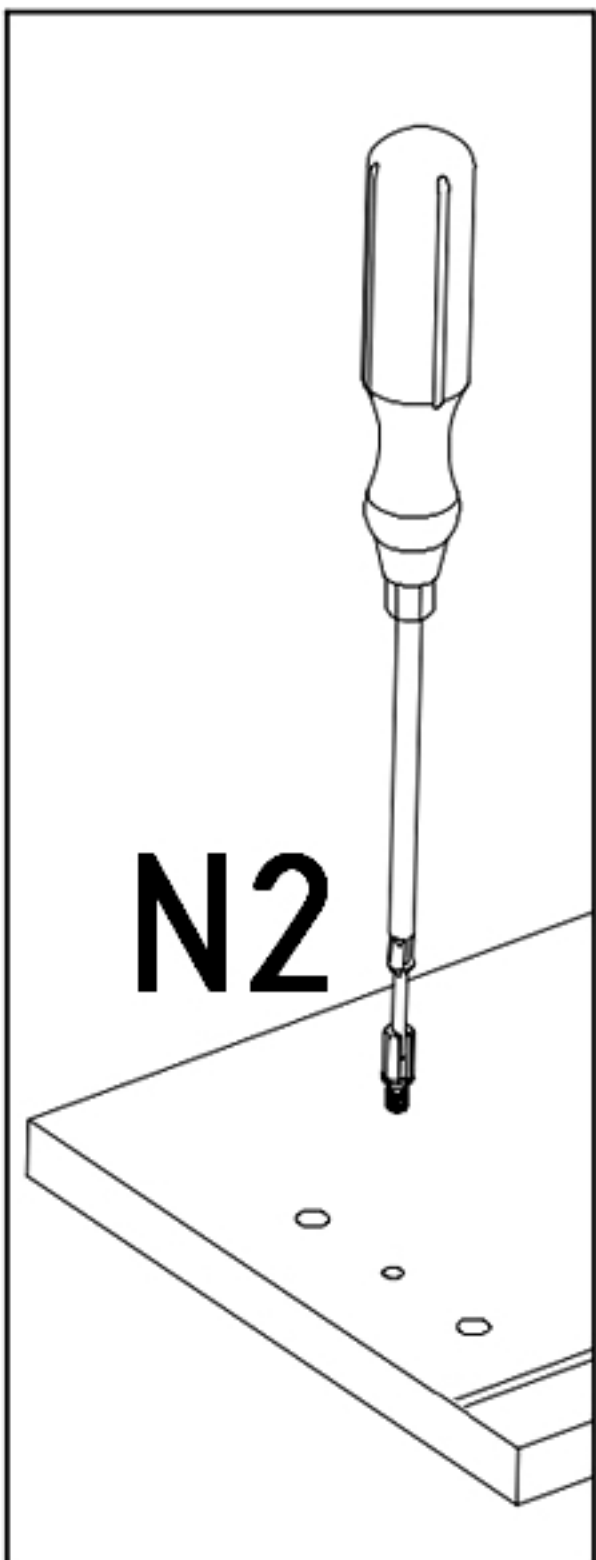
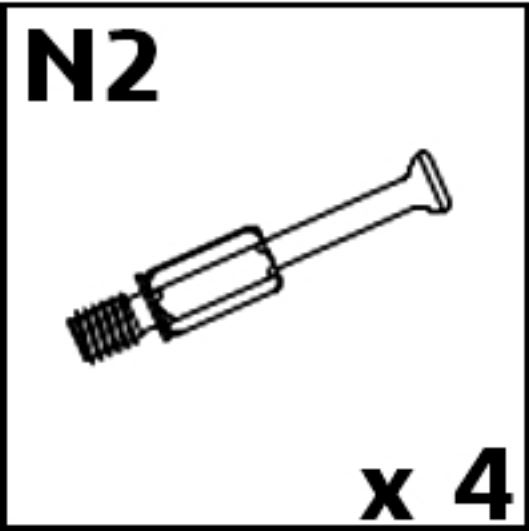
5



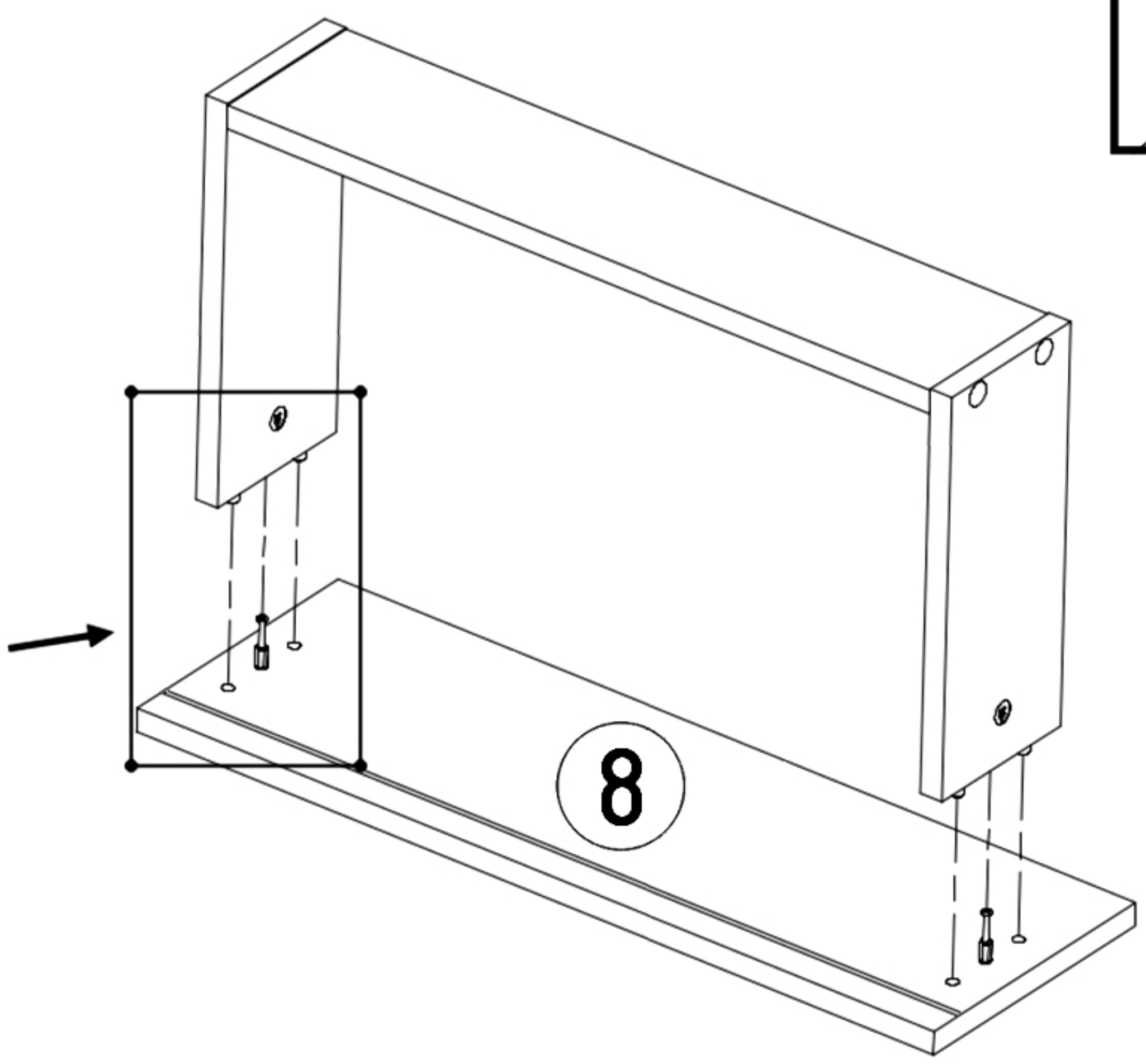
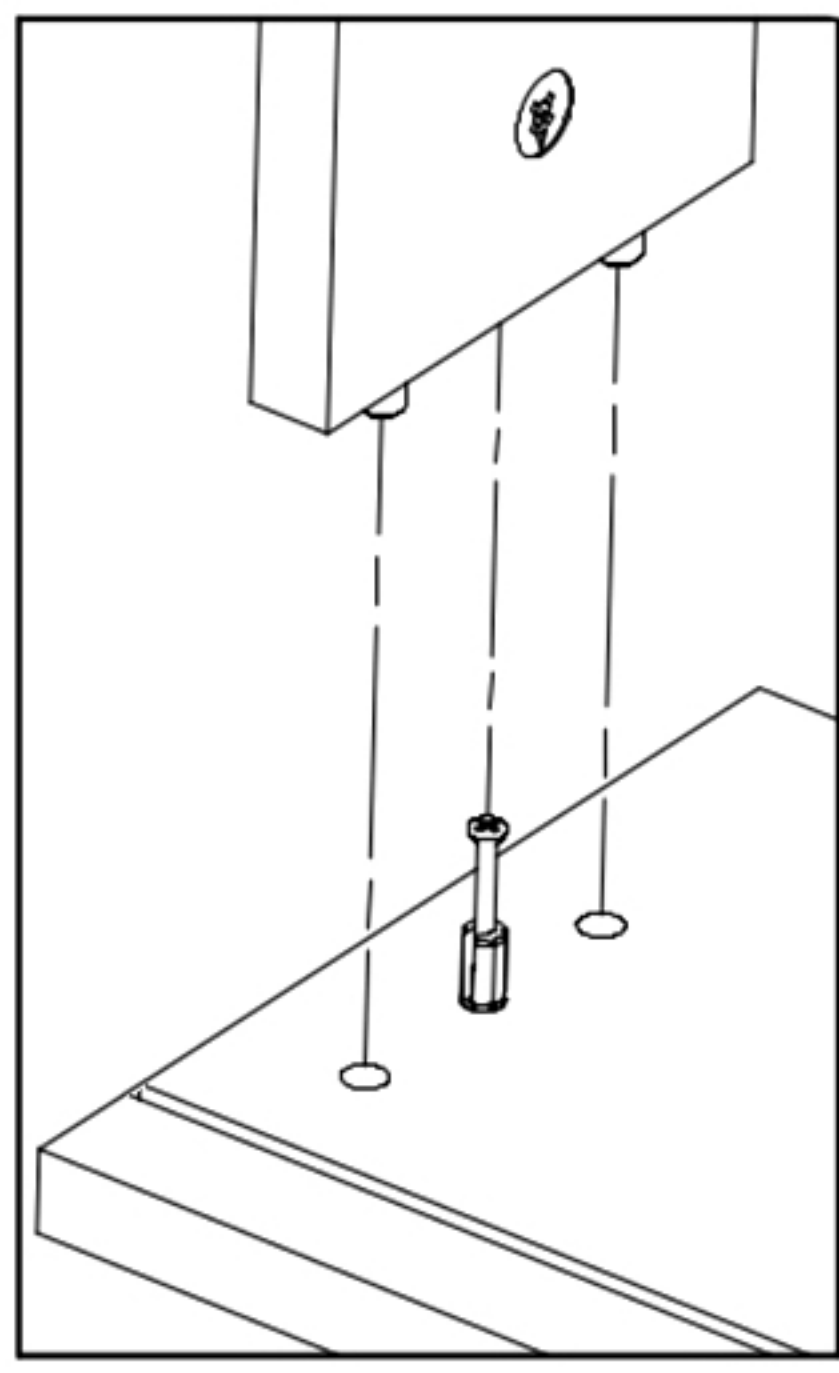
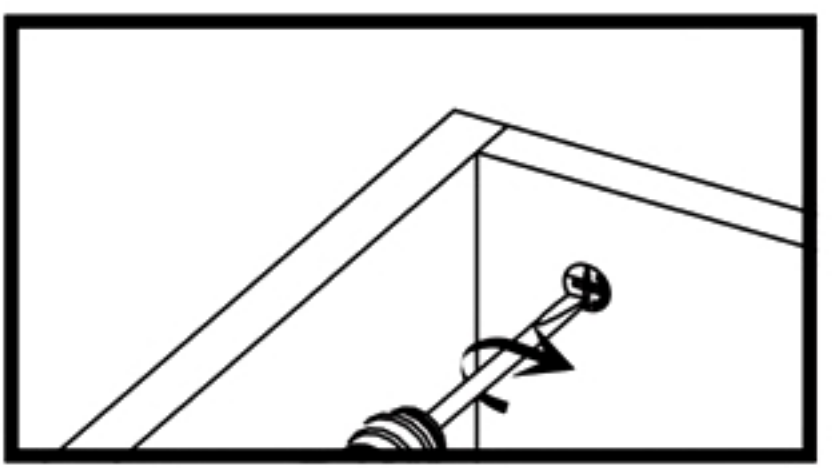
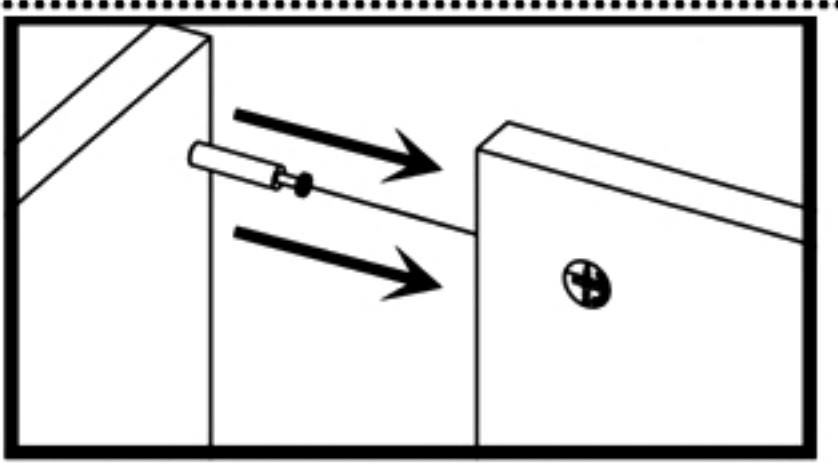
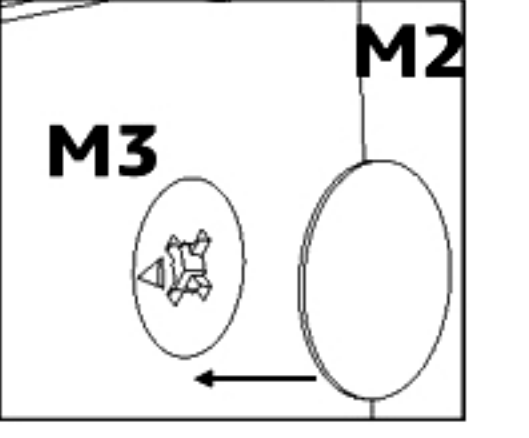
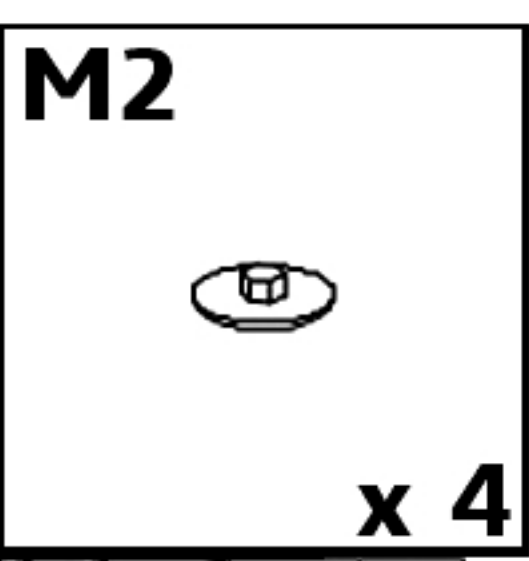
6



x 2

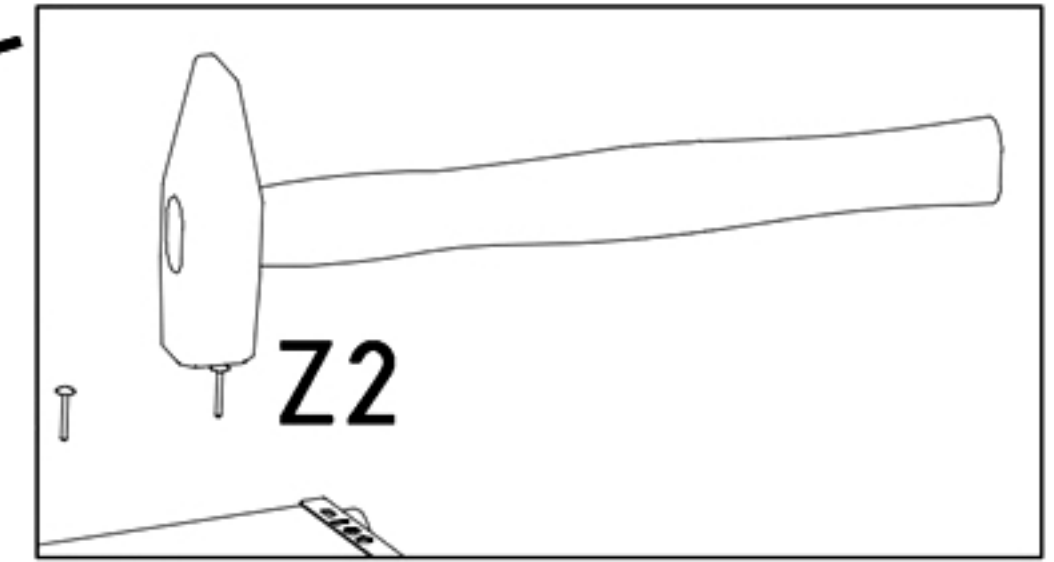
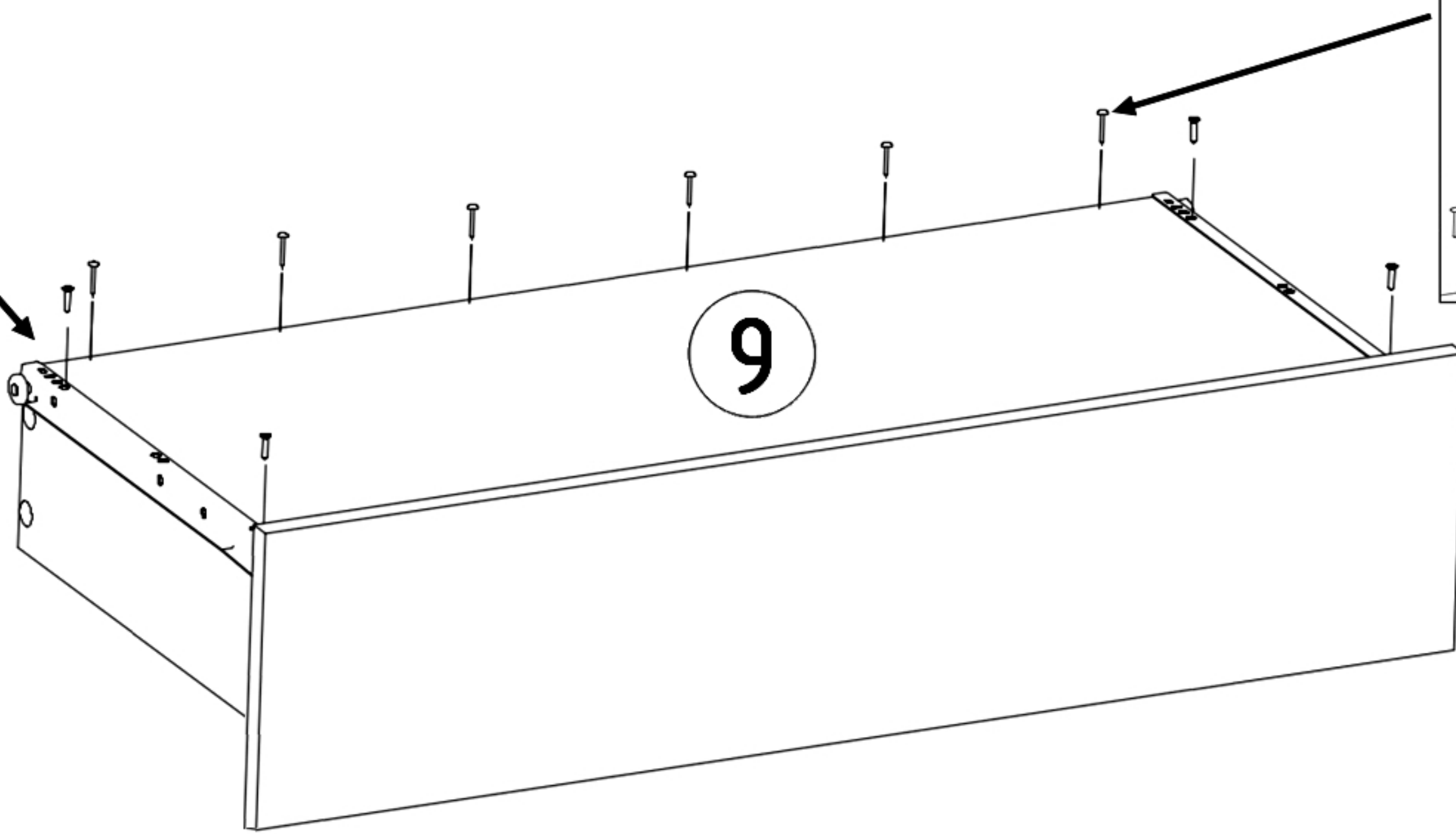
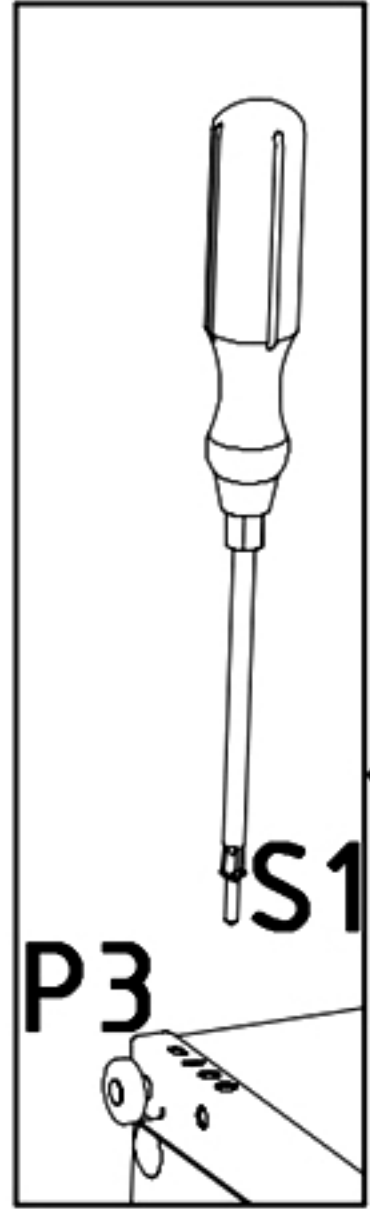
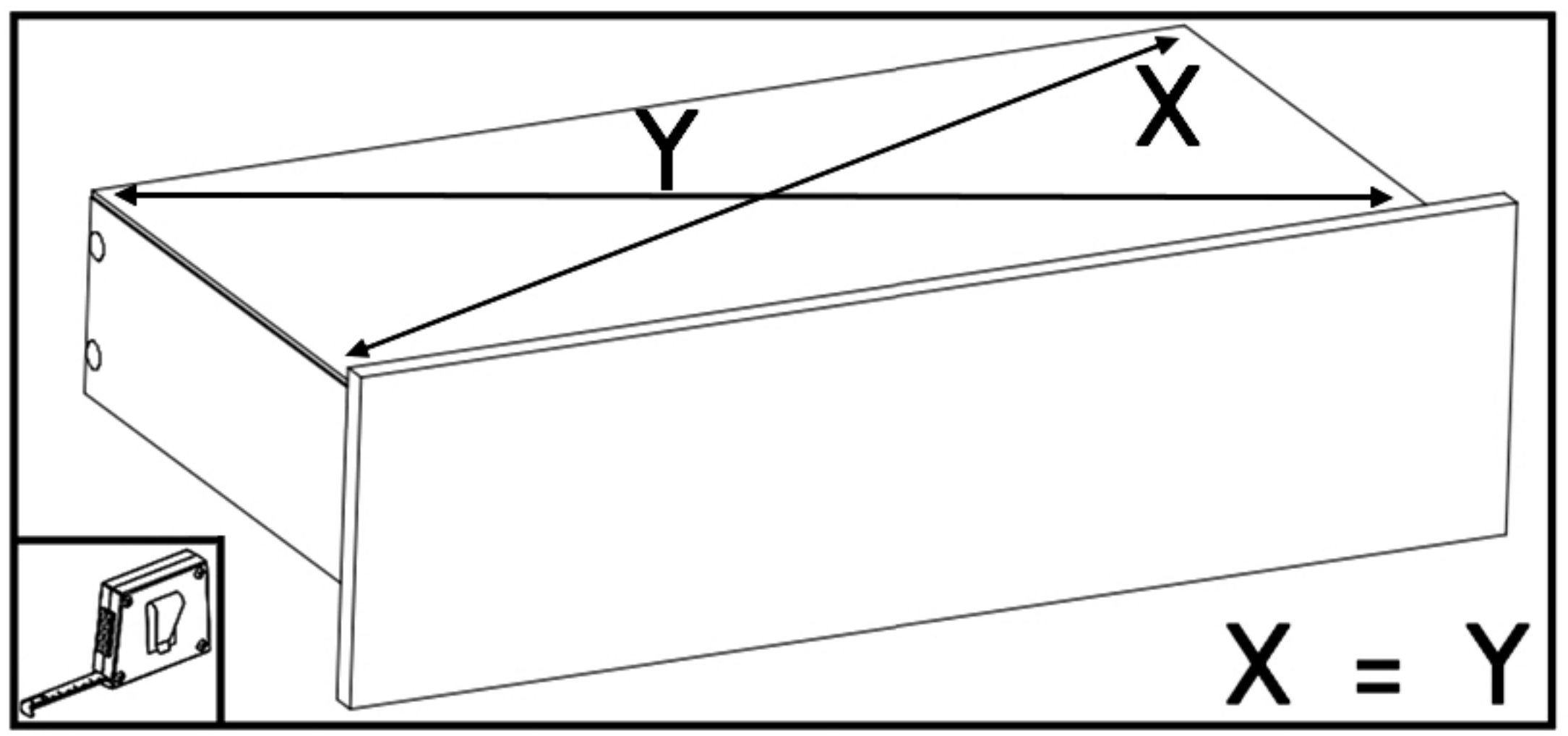
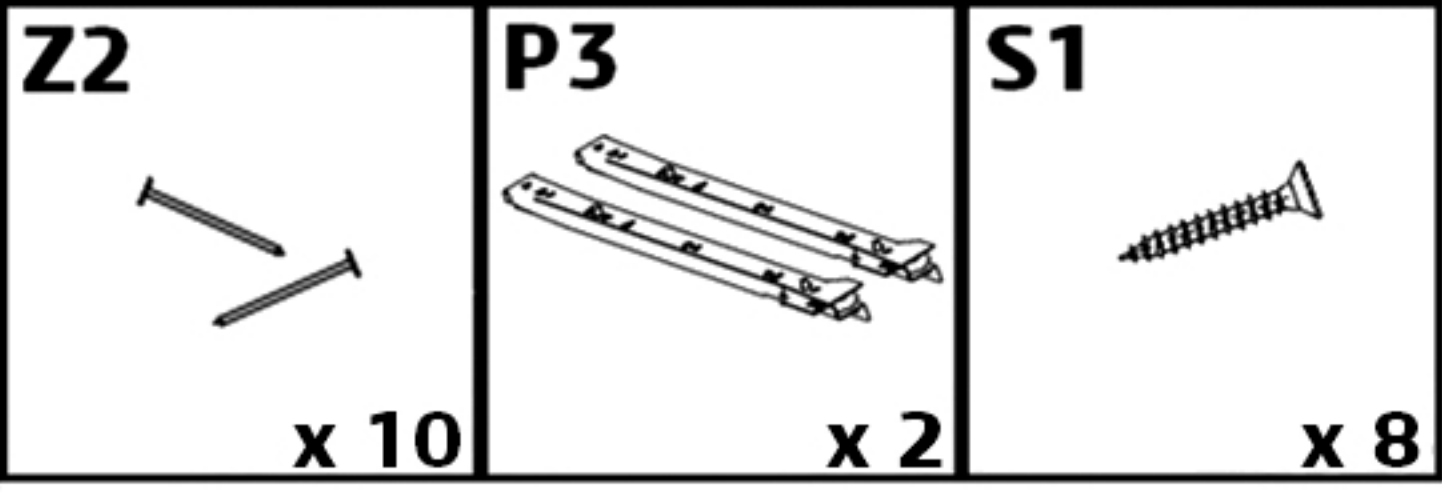


x 2



x 2

8



x 2

