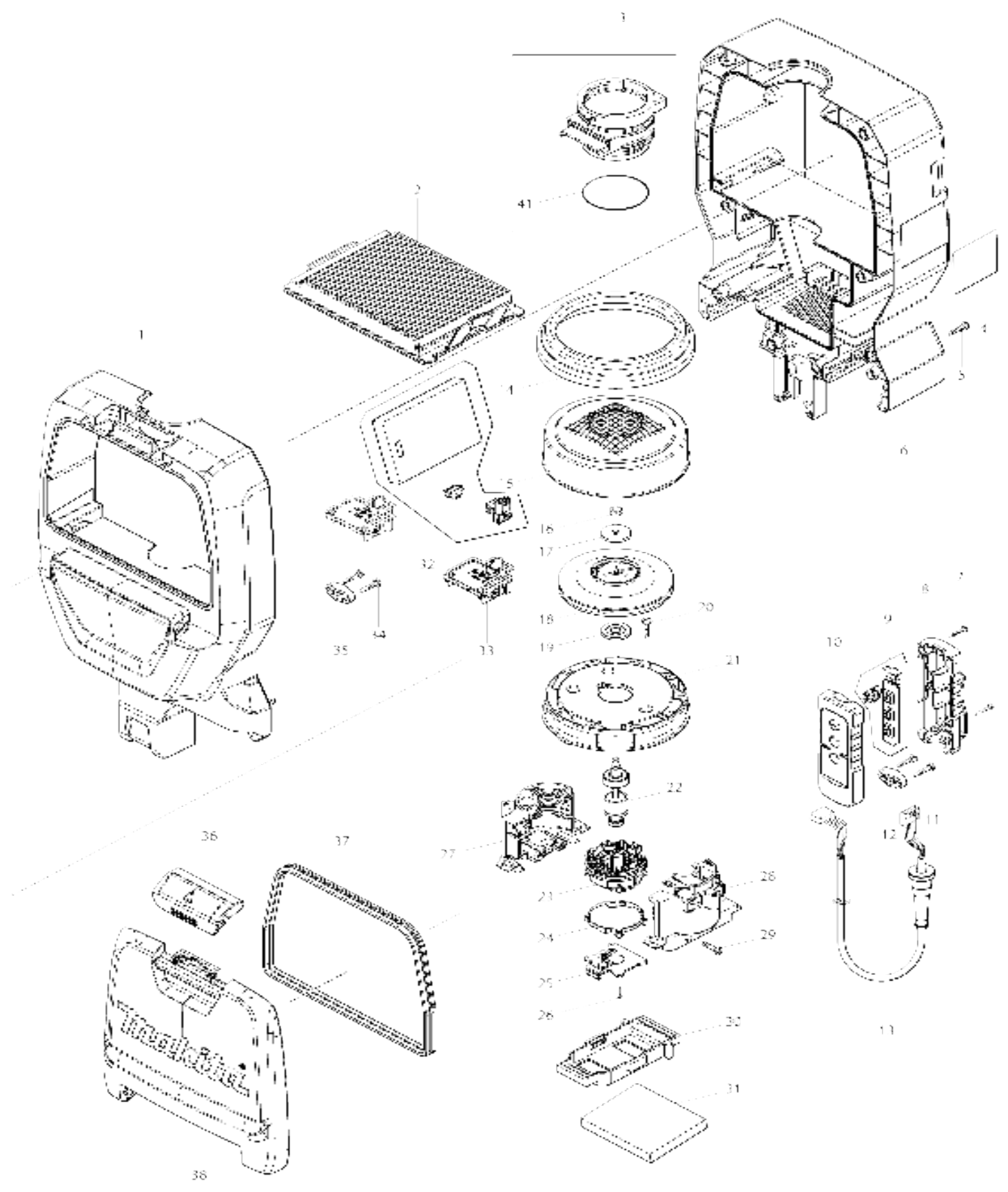
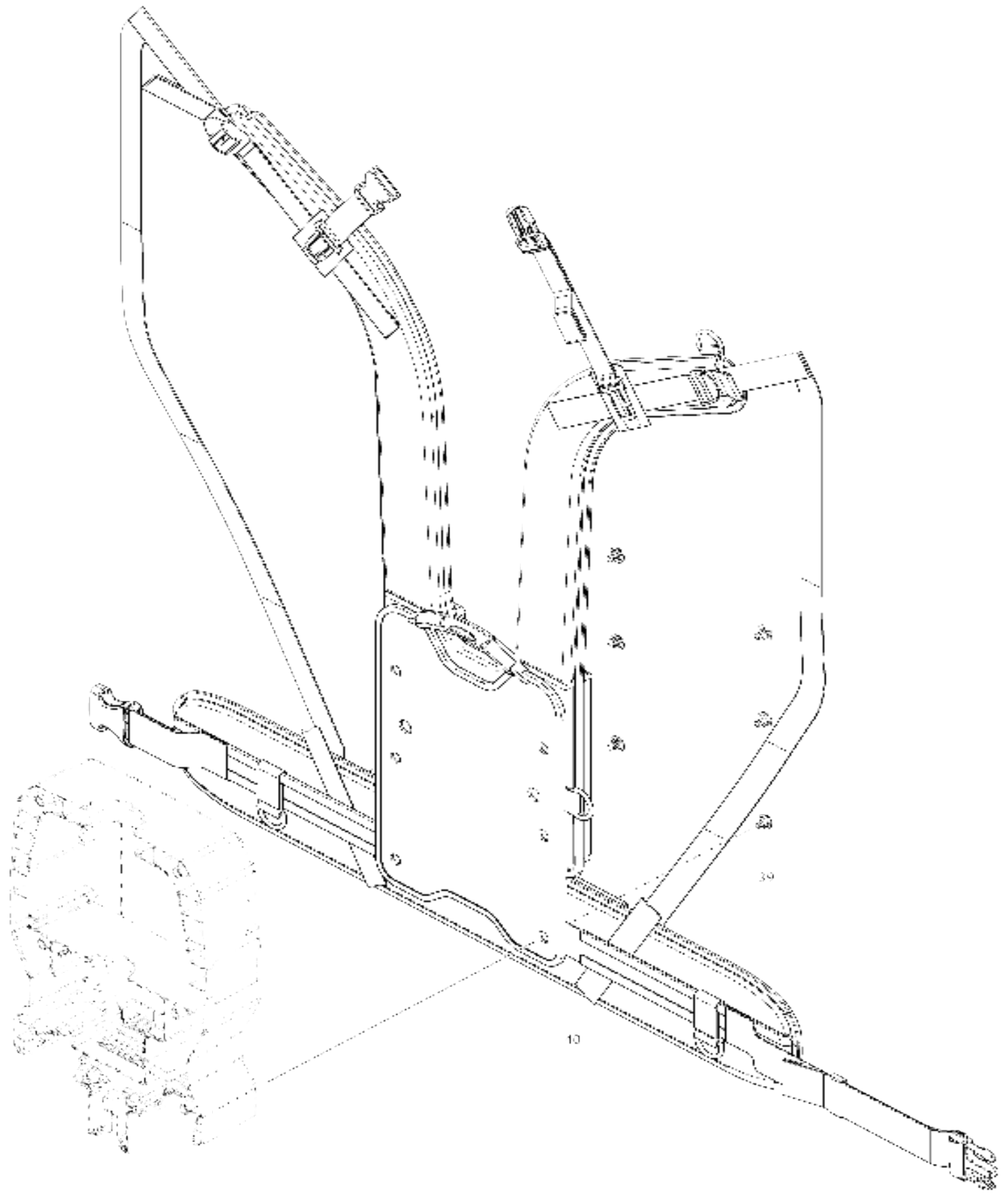


Model No.DVC260 DC BACKPACK VACUUM CLEANER



Model No.DVC260 DC BACKPACK VACUUM CLEANER



Model No.DVC260 DC BACKPACK VACUUM CLEANER

Item No.	Parts No.	Description	Interchangability	Q'ty	New/Old	Note1	Note2
001	143788-0	UPPER HOUSING COMPLETE		1	*		
C10	263005-3	RUBBER PIN 6		4	*		
C20	424834-1	BAND DAMPER A		1	*		
001-1	143788-0	UPPER HOUSING COMPLETE	<	1			
C10	263005-3	RUBBER PIN 6		4			
C20	424834-1	BAND DAMPER A		1			
002	123636-9	HEPA FILTER ASSEMBLY		1	*		
C10	153820-2	VALVE COMPLETE		1	*		
002-1	127725-2	FILTER ASSEMBLY	O	1			
C10	153820-2	VALVE COMPLETE		1			
003	135771-1	INLET ASS'Y		1			
D10		INC. 41					
004	852D42-2	DVC260 NAME PLATE		1			
005	266326-2	TAPPING SCREW 4X18		8			
006	143789-8	LOWER HOUSING COMPLETE		1			
C10	424835-9	BAND DAMPER B		1			
007	266130-9	TAPPING SCREW BIND PT 3X16		2			
008	183D91-1	SWITCH CASE SET		1			
D10		INC. 10					
009	620525-4	SUB CONTROLLER		1			
010	183D91-1	SWITCH CASE SET		1			
D10		INC. 8					
011	266326-2	TAPPING SCREW 4X18		2			
012	687123-7	STRAIN RELIEF		1			
013	699077-6	POWER SUPPLY CORD UNIT		1	*		
013-1	699136-6	POWER SUPPLY CORD UNIT	O	1	*		
013-2	699136-6	POWER SUPPLY CORD UNIT	O	1			
014	421380-5	SUPPORT RING		1			
015	165386-0	FAN COVER		1	*		
015-1	161804-6	FAN COVER	O	1			
016	931303-0	HEX. NUT M6		1	*		
016-1	252268-6	HEX. NUT M6	O	1			
017	322407-3	WASHER 6		1			
018	241851-4	FAN 94		1			
019	313062-2	FLANGE		1			
020	266326-2	TAPPING SCREW 4X18		3			
021	456736-3	FAN BASE		1			
022	619395-6	ROTOR		1	*		
022-1	619517-8	ROTOR	O	1	*		
022-2	619517-8	ROTOR	O	1	*		
022-3	619517-8	ROTOR	O	1			
023	629189-1	STATOR		1			
024	687464-1	SUPPORT		1			
025	620526-2	CONTROLLER B		1			
026	266786-8	+ PAN HEAD TAPPING SCREW 2X10		4			
027	183D13-1	MOTOR HOUSING SET		1			
D10		INC. 28					

028	183D13-1	MOTOR HOUSING SET		1			
D10		INC. 27					
029	266326-2	TAPPING SCREW 4X18		4			
030	424837-5	SUPPORT A		1			
031	424838-3	REAR BLOCK FILTER		2			
032	620524-6	CONTROLLER A		1			
D10		INC. 33					
033	644808-8	TERMINAL		2			
034	266326-2	TAPPING SCREW 4X18		2			
035	687123-7	STRAIN RELIEF		1			
036	123586-8	LATCH ASSEMBLY		1			
037	424836-7	SEAL		1			
038	456739-7	DUST BOX COVER		1			
039	265008-3	+ FLAT HEAD SCREW M5		6			
040	161479-1	HARNESS		1	*		
040-1	161767-6	HARNESS	X	1	*		
040-2	162469-7	HARNESS	<	1	*		
040-3	162D04-5	HARNESS	O	1	*		
040-4	162B50-6	HARNESS	O	1			
041	213655-4	O RING 56		1			
A01	143787-2	HOSE COMPLETE 28-1.0		1			
A02	166116-2	HOSE BAND		1			
A03	197903-8	FILTER BAG SET 2L(10PCS)EU		1	*		
A03-1	197903-8	FILTER BAG SET 2L(10PCS)EU	O	1			
A04	197901-2	FLEXIBLE RUBBER NOZZLE SET E U		1	*		
A04-1	197901-2	FLEXIBLE RUBBER NOZZLE SET E U	O	1			
A05	123486-2	FLOOR T-NOZZLE 28 WHI		1			
C10	451410-8	ROLLER		4			
C20	268208-4	PIN 3		4			
C30	422963-4	WIPER		1			
A06	123584-2	TELESCOPIC PIPE ASSEMBLY 28		1	*		
A06-1	123584-2	TELESCOPIC PIPE ASSEMBLY 28	O	1			
A07	123677-5	BENT PIPE ASSEMBLY		1	*		
A07-1	126756-8	BENT PIPE ASSEMBLY	<	1			
F10	195547-8	FRONT CUFF 22 SET		1			
F11	195545-2	FRONT CUFF 38 SET		1			
F12	191496-7	FLEXIBLE HOSE SET28(IVO)		1			
F17	198537-0	SHELF BRUSH SET28 IVO EU		1			
F20	198552-4	ROUND BRUSH SET 28 IVO		1			
F21-1	198560-5	TELESCOPIC PIPE SET 28 EU	O	1			
F24	192236-6	TAPERED NOZZLE SET		1			
F39	199039-9	SEAT NOZZLE SET 28 BLK		1			
F41	199041-2	SEAT NOZZLE SET 28 BLU		1			
F47	198990-0	LONG SASH NOZZLE SET 28 BLU		1			
F51	199843-6	PIPE 465 COMPLETE SET		1			
F52	199844-4	JOINT PIPE 465 SET		1			
F53	191B15-1	CLEANING WAND SET		1			
F55	191E30-3	FLEXIBLE HOSE SET(LOCK)		1			
F91	1910S4-7	PROTECTION COVER SET		1			
F98	191Y14-1	HARNESS COVER SET		1			

A01	A-34235	HOSE COMP 28-1.5		1		
C10	417766-9	FRONT CUFF 38		1		
C20	417191-4	CUFF LOCK		1		
C30	417586-1	STOPPER		1		
C40	417662-1	SLEEVE		1		
D10		INC. A08				
A08	417765-1	FRONT CUFF 22		1		
A09	424379-9	FRONT CUFF 24		1		
A13	***DC18RD	DC18RD TWO PORT FAST CHARGER		1		
A14	197280-8	BATTERY BL1850B SET		2	*	
A14-1	197280-8	BATTERY BL1850B SET	O	2		
A15	450128-8	BATTERY COVER		2		

Please state Parts No. when your order.

Print Date 01/07/2024