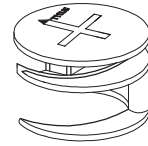


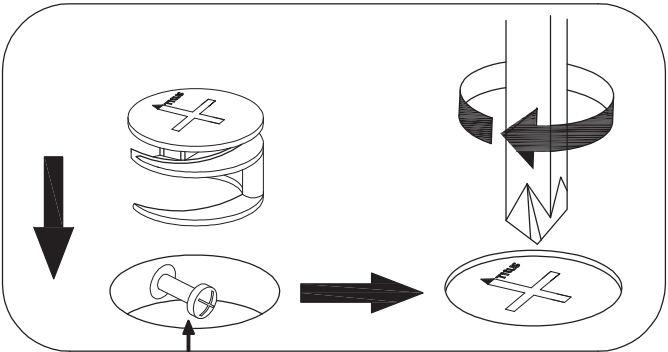
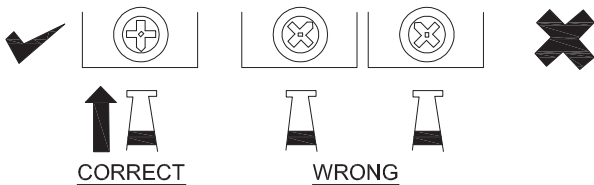
WF314182AAA

SPECIAL TIPS FOR FITTING CAM-LOCKS AND QUICKFIT

CAM-LOCK

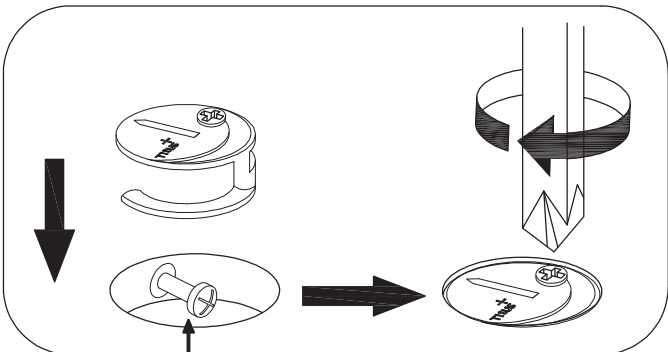


WHEN FITTING CAMLOCK
ENSURE STARTING POSITION IS CORRECT
BEFORE YOU INSERT CONNECTING QUICKFIT
TURN CLOCKWISE UNTIL SECURE



Quickfit head needs to be in centre

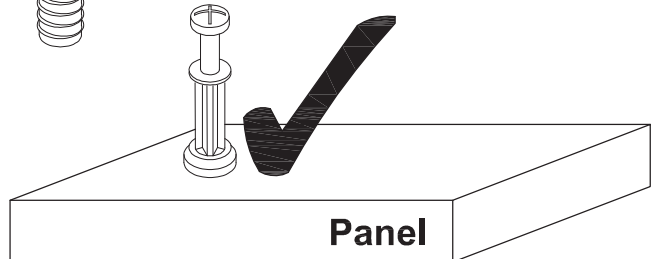
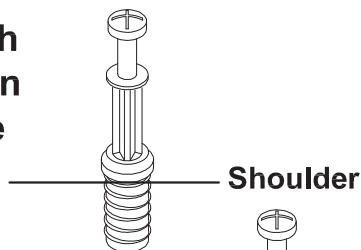
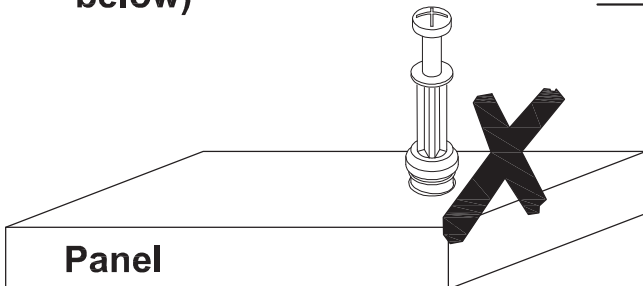
DRAWER CAM-LOCK



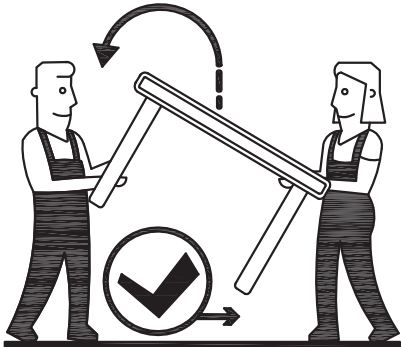
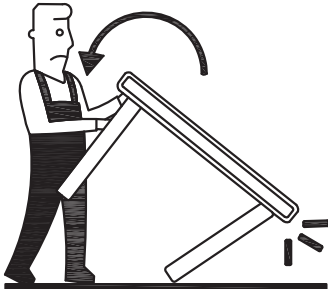
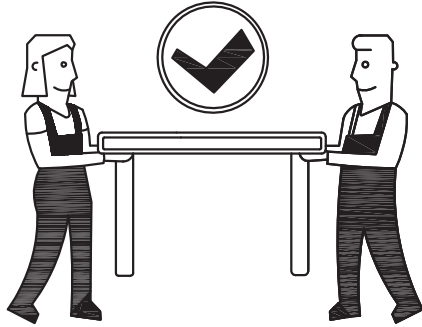
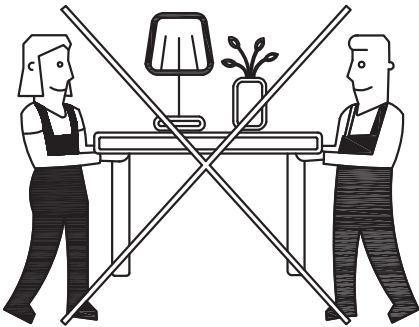
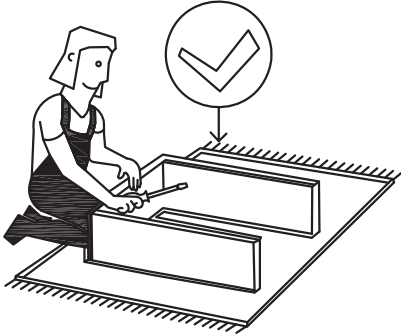
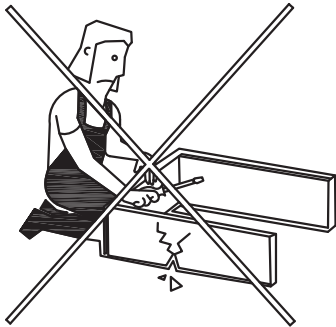
Quickfit head needs to be in centre

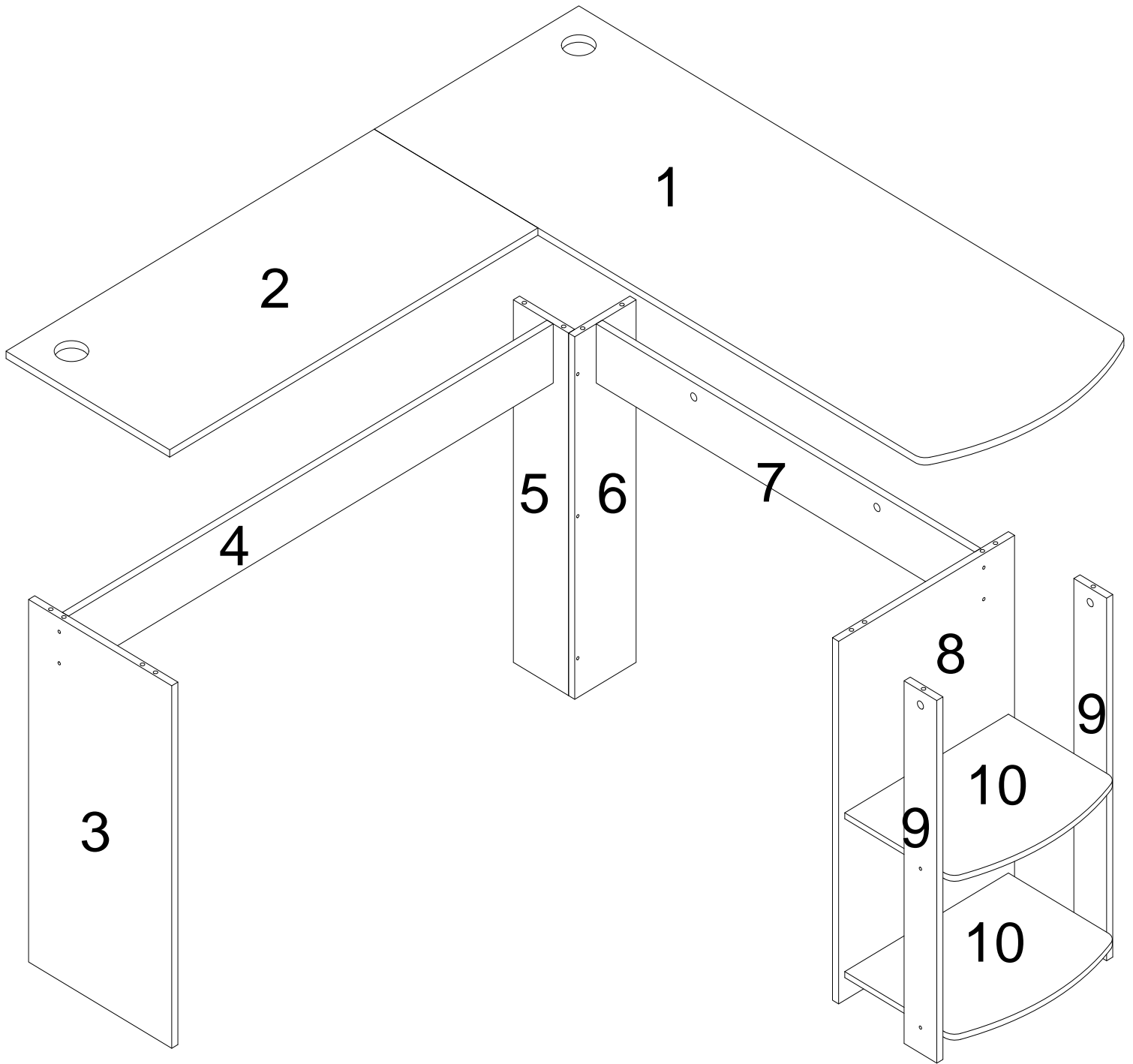
QUICKFIT

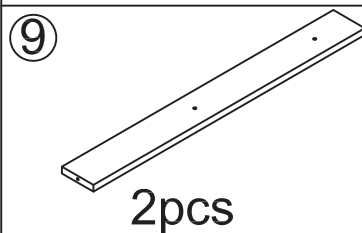
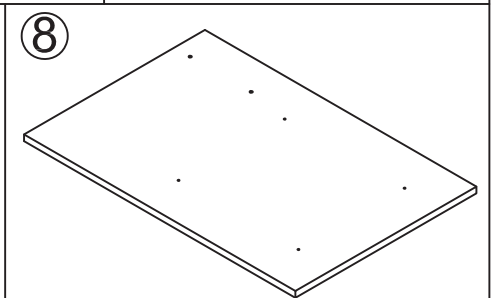
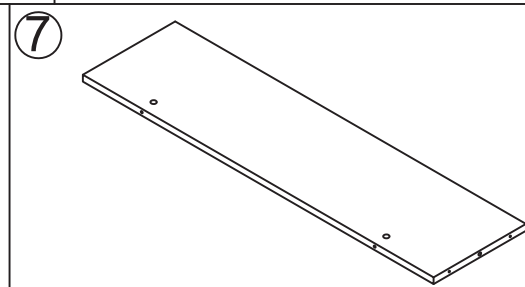
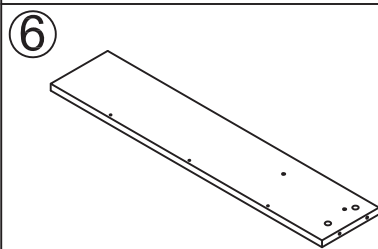
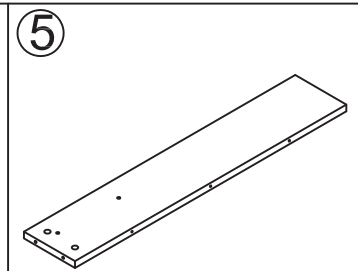
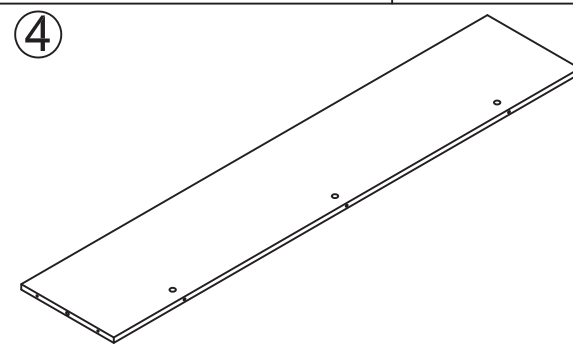
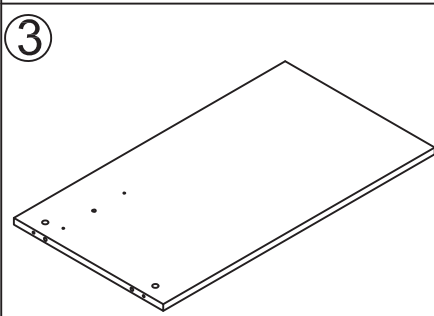
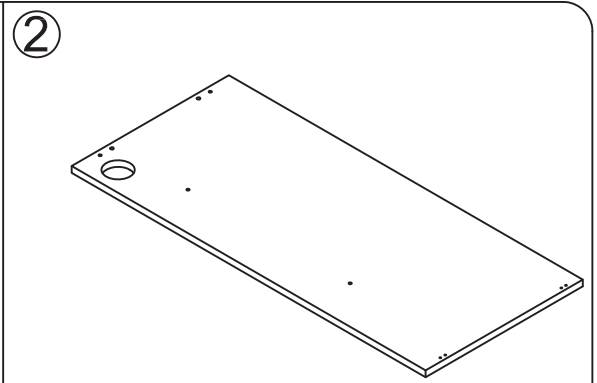
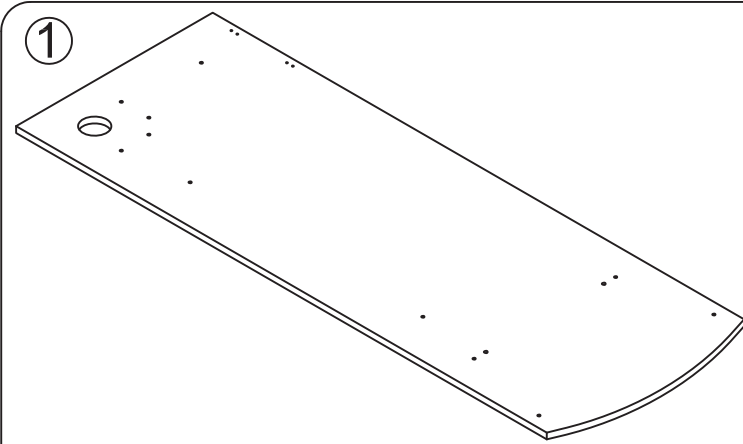
Tighten until shoulder is flush with panel. Do not overtighten or undertighten (see example below)



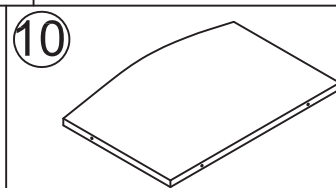
Notes







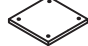
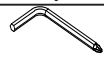




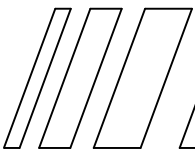


2pcs




2pcs

A	M6x35	15	
B		15	
C	M6x30	8	
D	M4x14	8	
E		2	
F		1	
G	M5x50	19	
H		2	

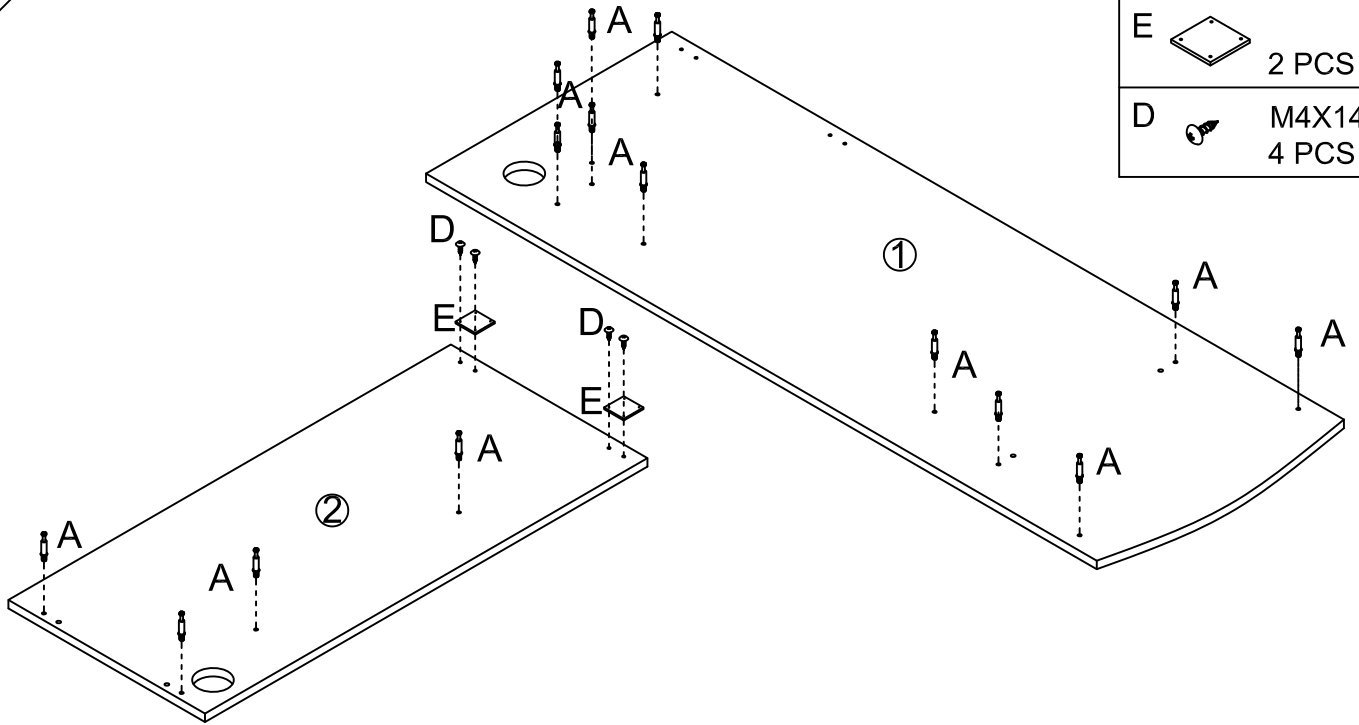


1


A  M6X35
15 PCS

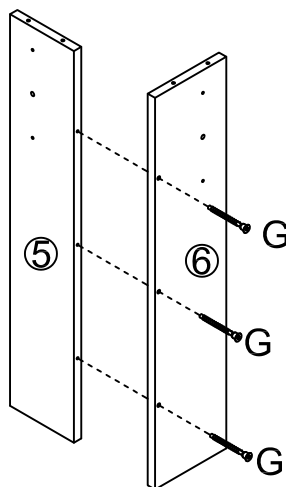
E  2 PCS

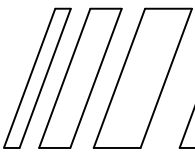
D  M4X14
4 PCS



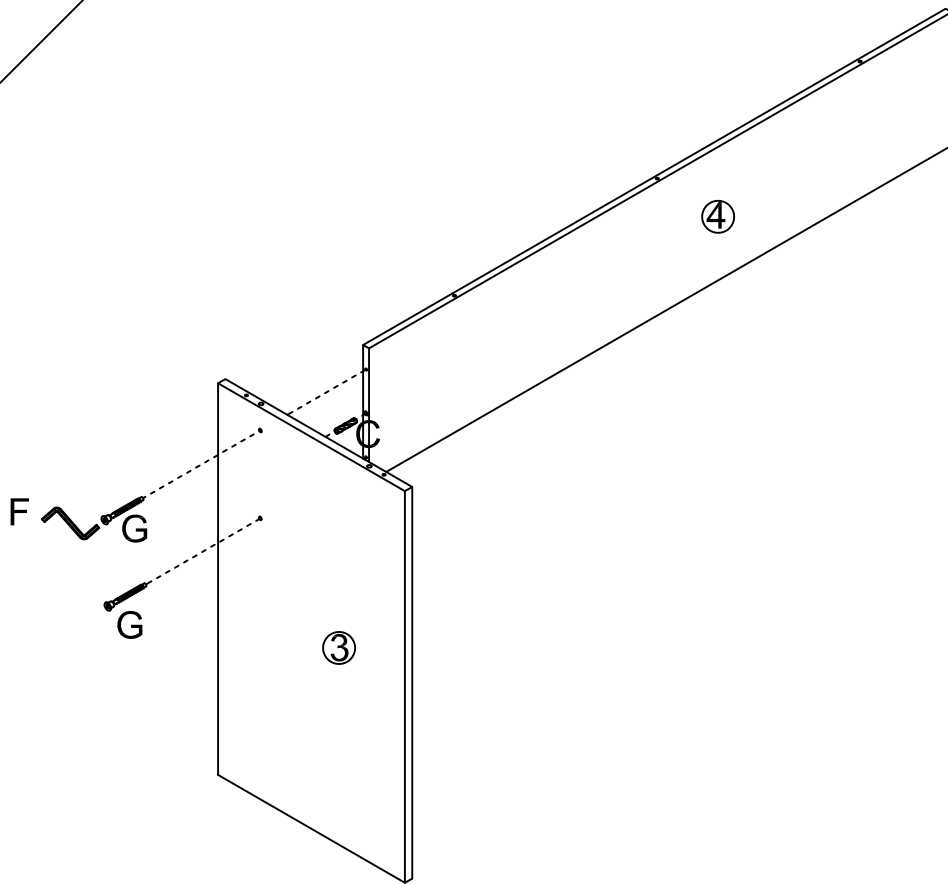
2




G  M5X50
3 PCS



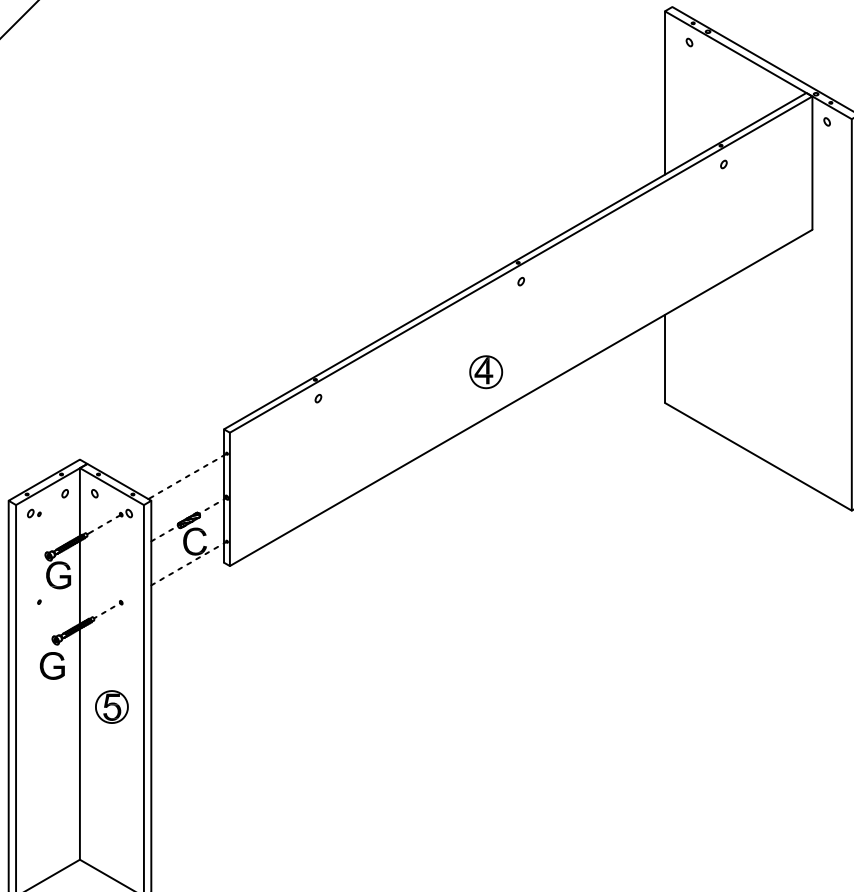




3

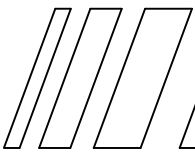


G		M5X50 2 PCS
C		M6X30 1 PC
F		1 PC

4

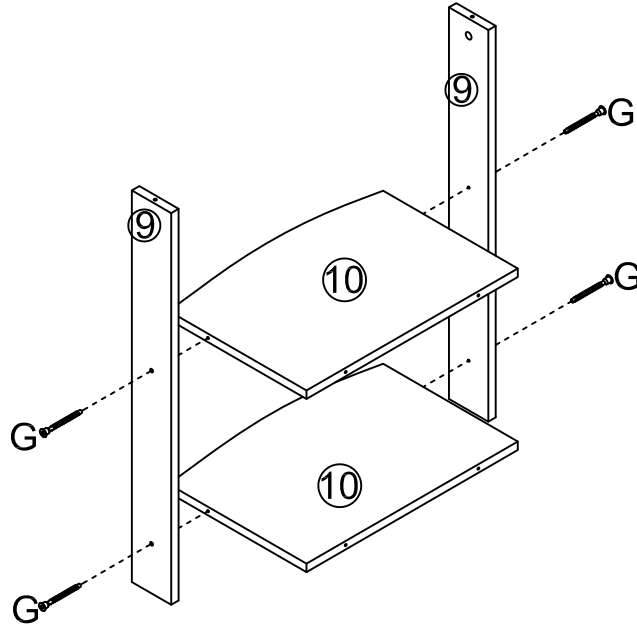


G		M5X50 2 PCS
C		M6X30 1 PC



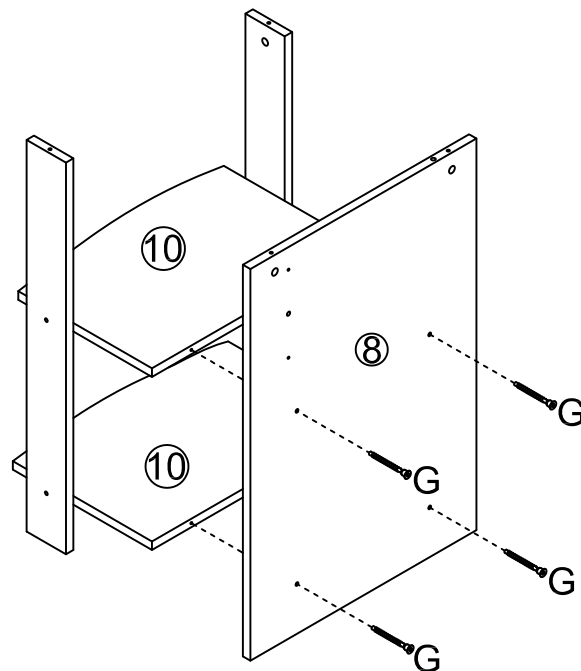
5

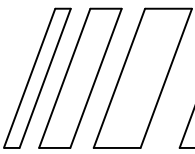
G  M5X50
4 PCS



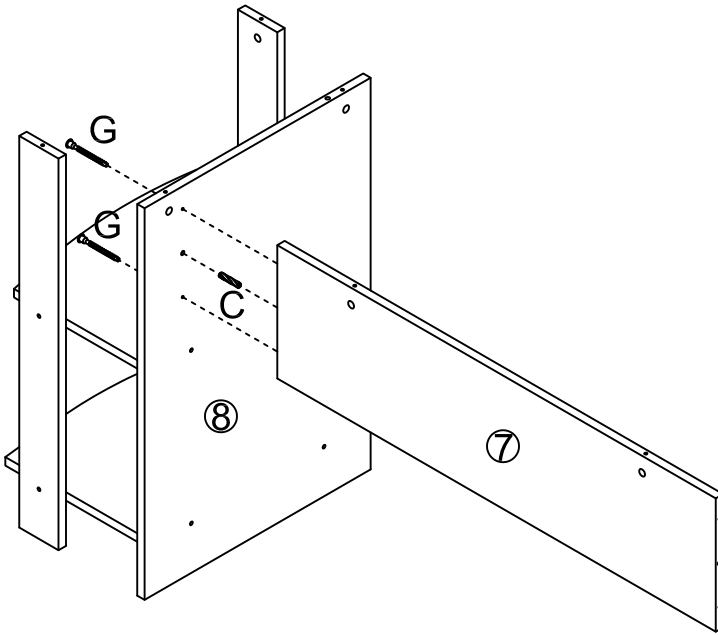
6

G  M5X50
4 PCS



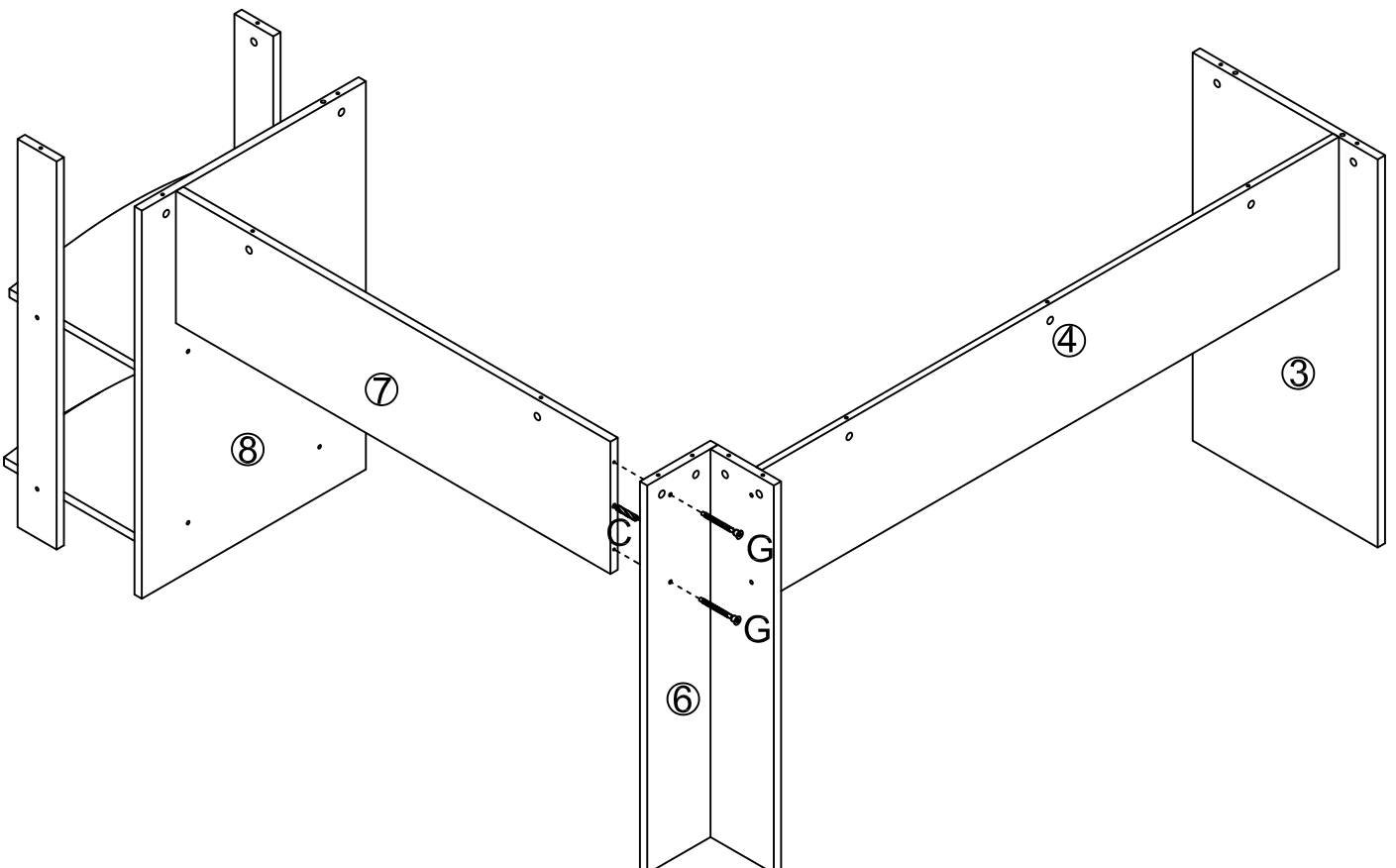




7

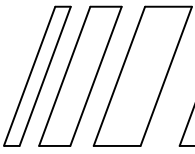


G		M5X50 2 PCS
C		M6X30 1 PC



8

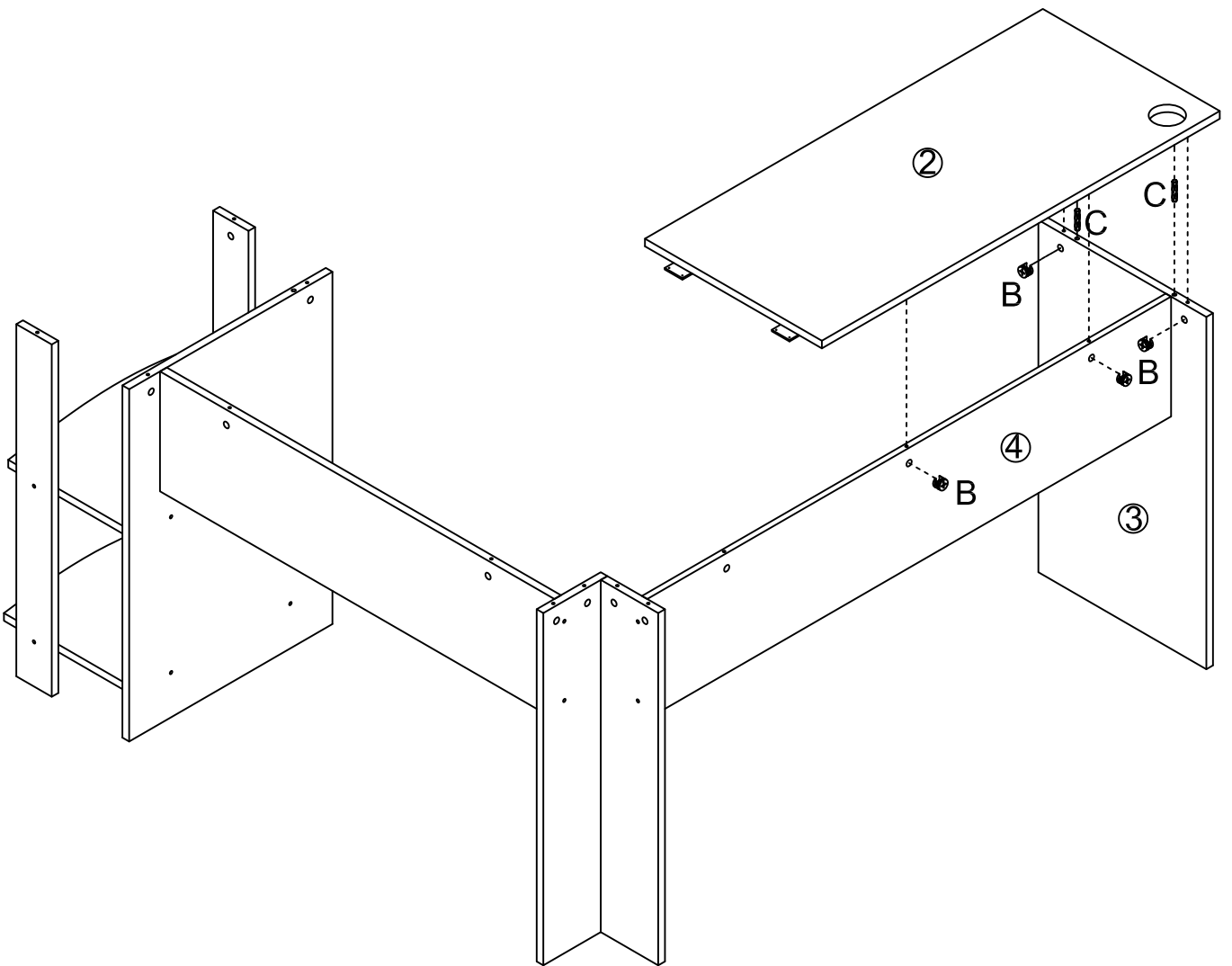


G		M5X50 2 PCS
C		M6X30 1 PC






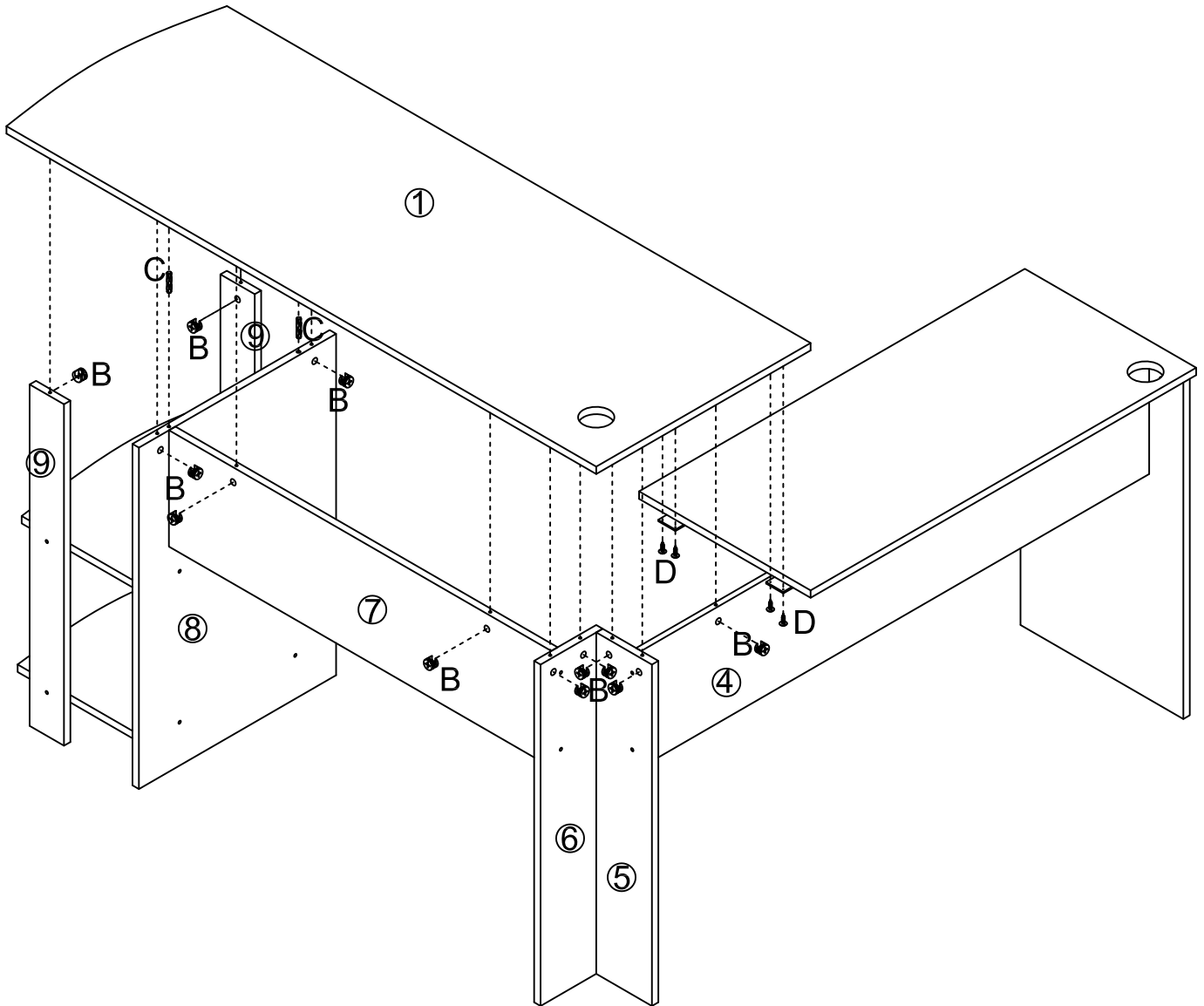
9

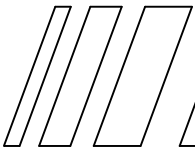
B		4 PCS
C		M6X30 2 PCS



10

B		11 PCS
C		M6X30 2 PCS
D		M4X14 4 PCS





11

H		2 PCS
---	---	-------

