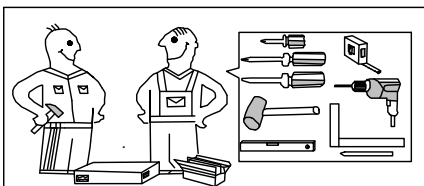
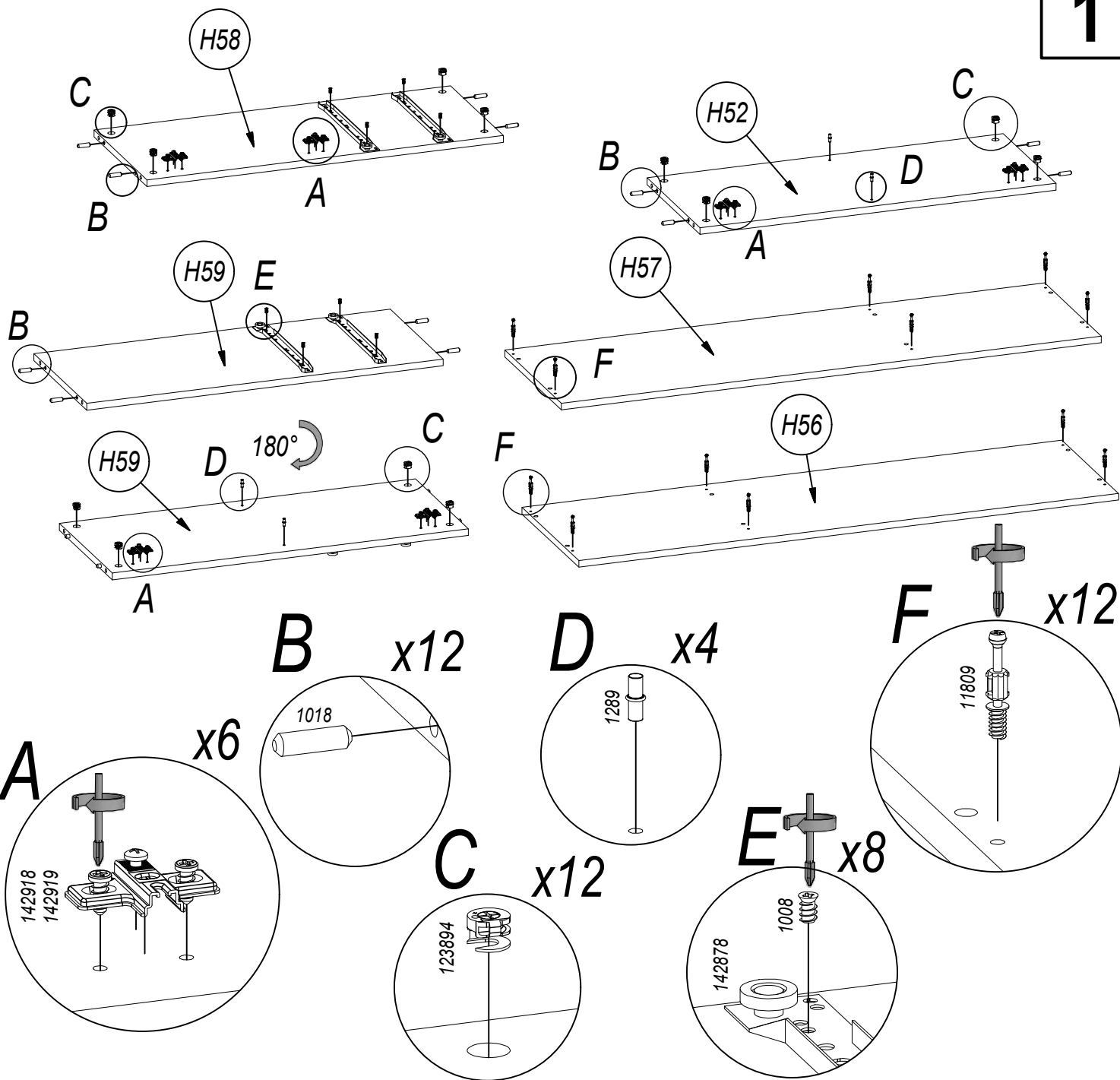


AI NR	QTY	W	D	H	PKG
H82	2	951	115	12	1/1
H66	1	456	396	16	1/1
H65	2	782	396	16	1/1
H64	3	814	398	3	1/1
H63	2	336	299	3	1/1
H62	2	396	160	16	1/1
H60	1	773	323	16	1/1
H59	1	788	323	16	1/1
H58	1	788	323	16	1/1
H57	1	1200	347	16	1/1
H56	1	1200	347	16	1/1
H52	1	788	323	16	1/1

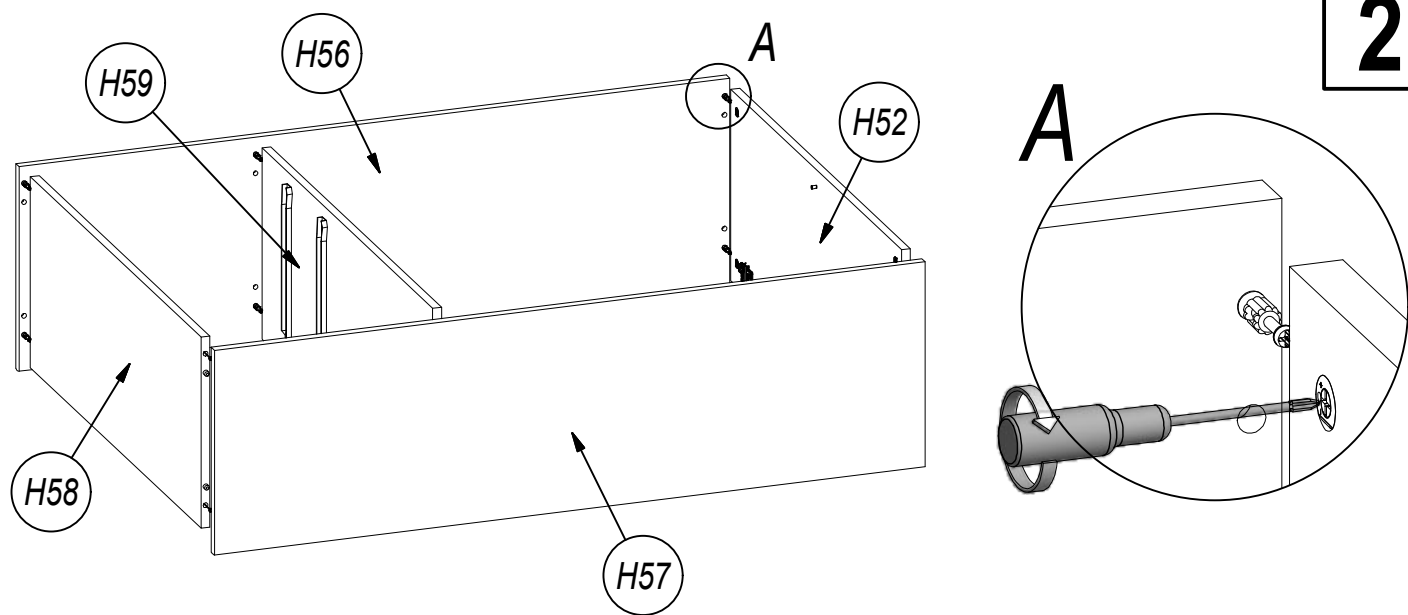


1018 x12	11809 x12	24179 4x22 x6	1012 4x30 x10	142918 x4
123894 x12	22567 x10	142809 1.4x20 x50	1972 x5	
3817 x6	1011 3.5x13 x20	1289 x4	1008 6.3x9.5 x8	
142878 x2	15434 x1	1006 x1	142919 x2	

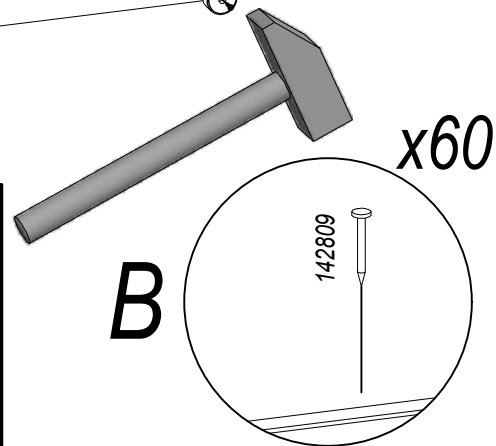
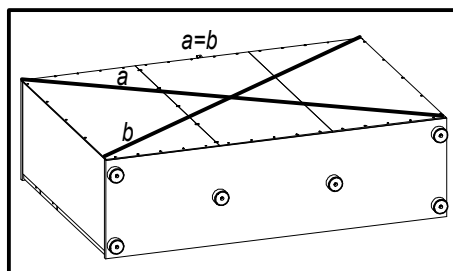
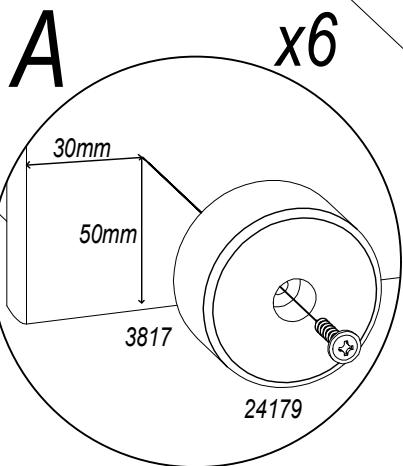
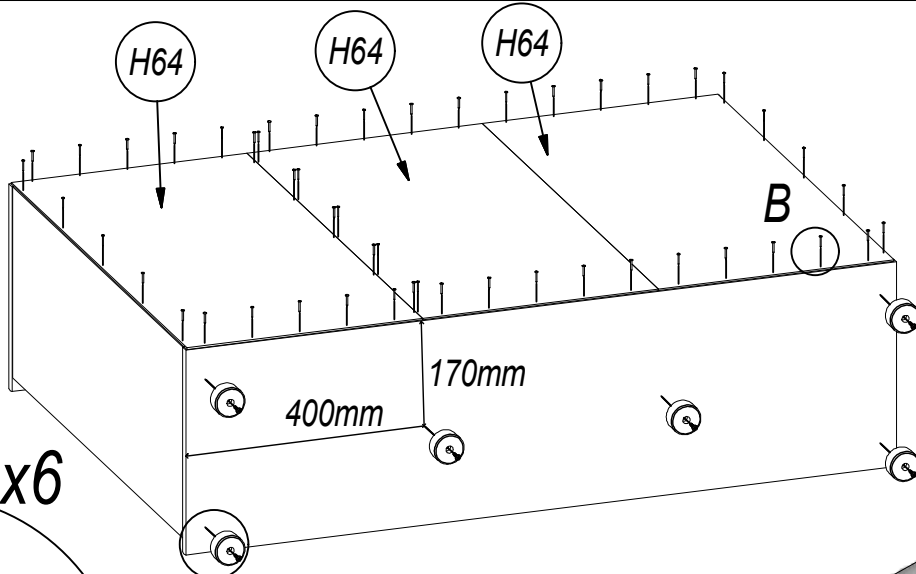
1



2



3



4

