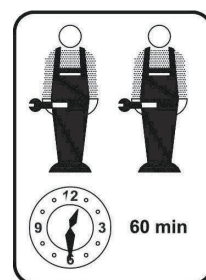
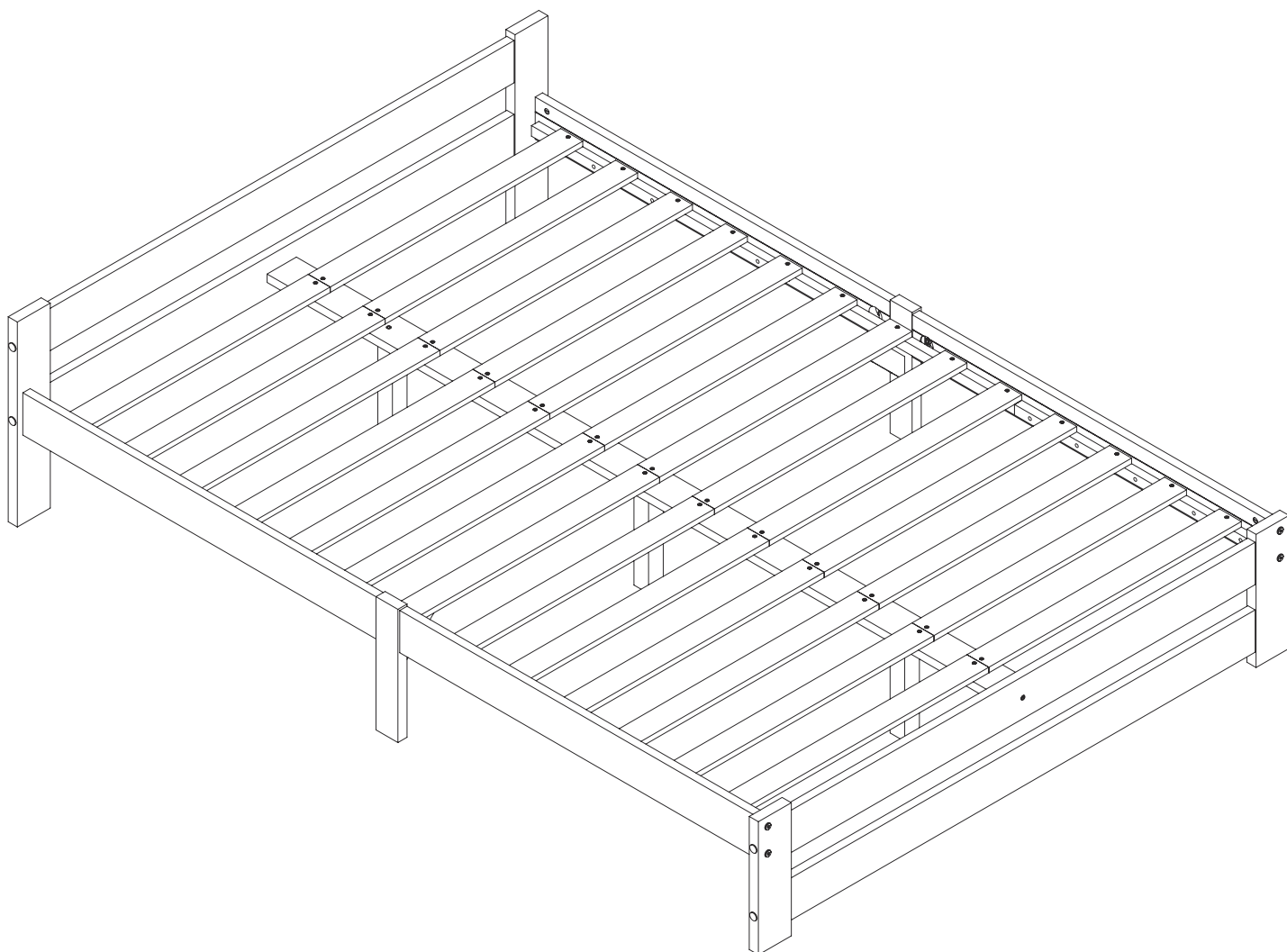
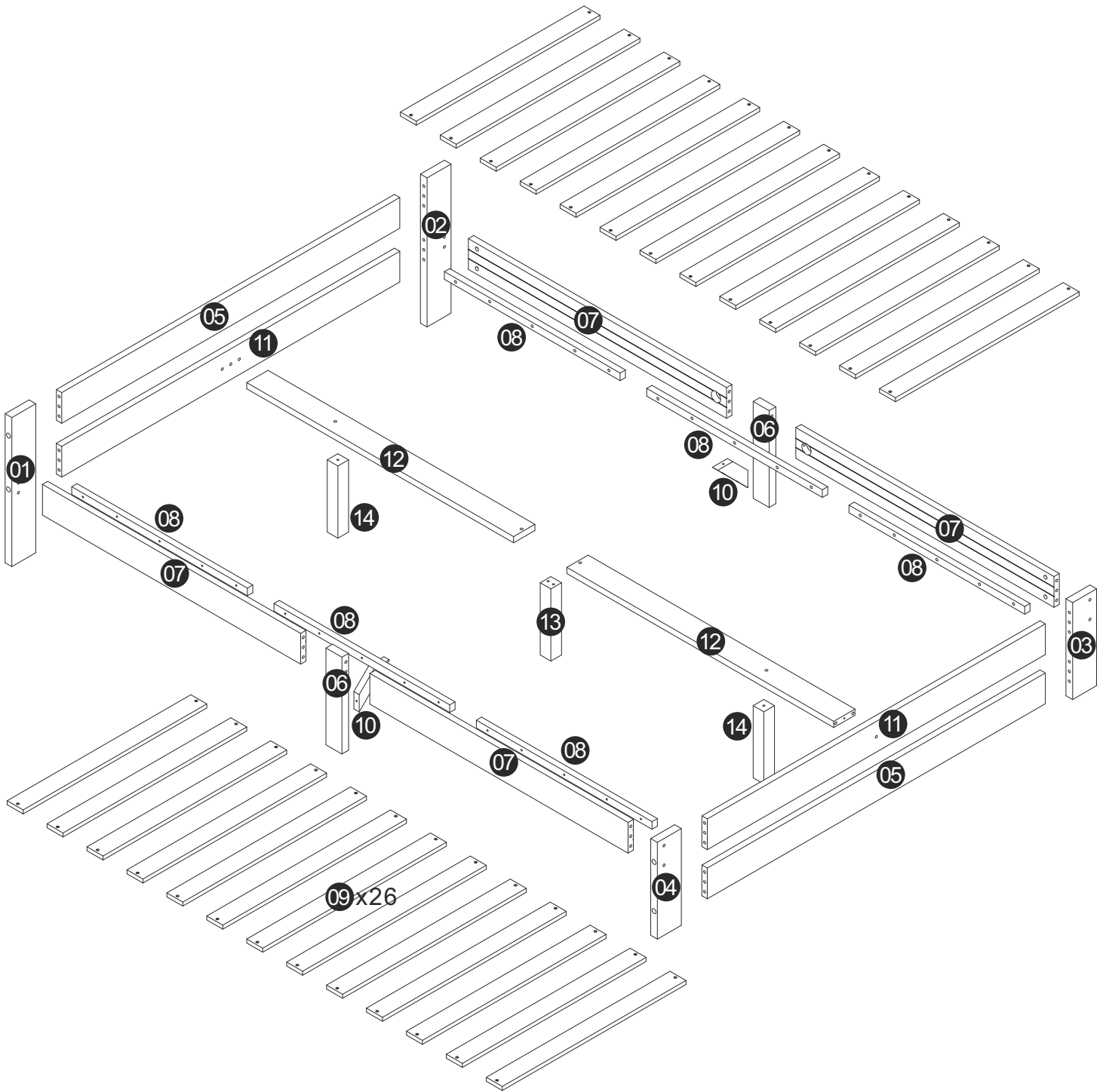













WF197845NAA

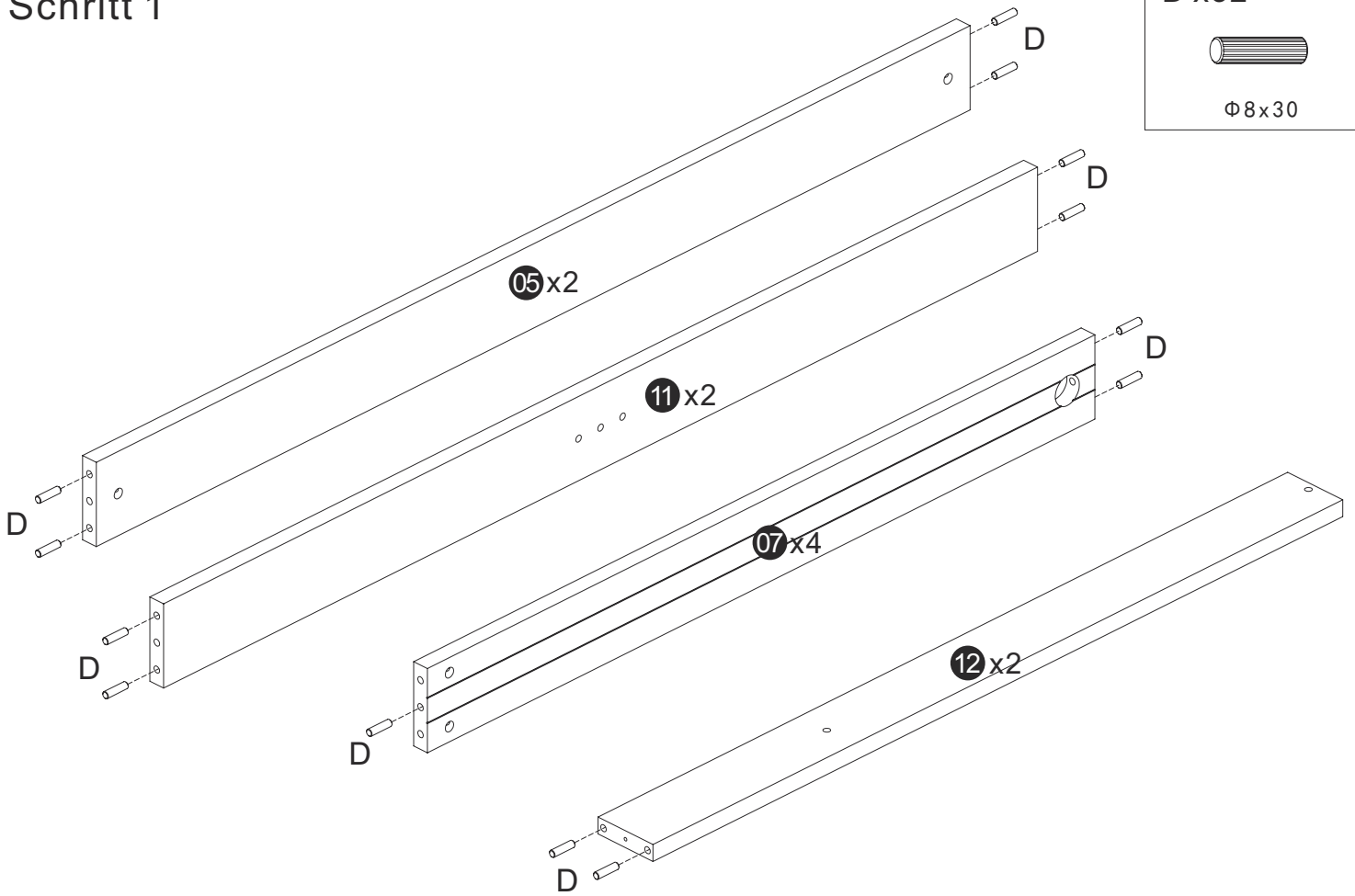



Stückliste



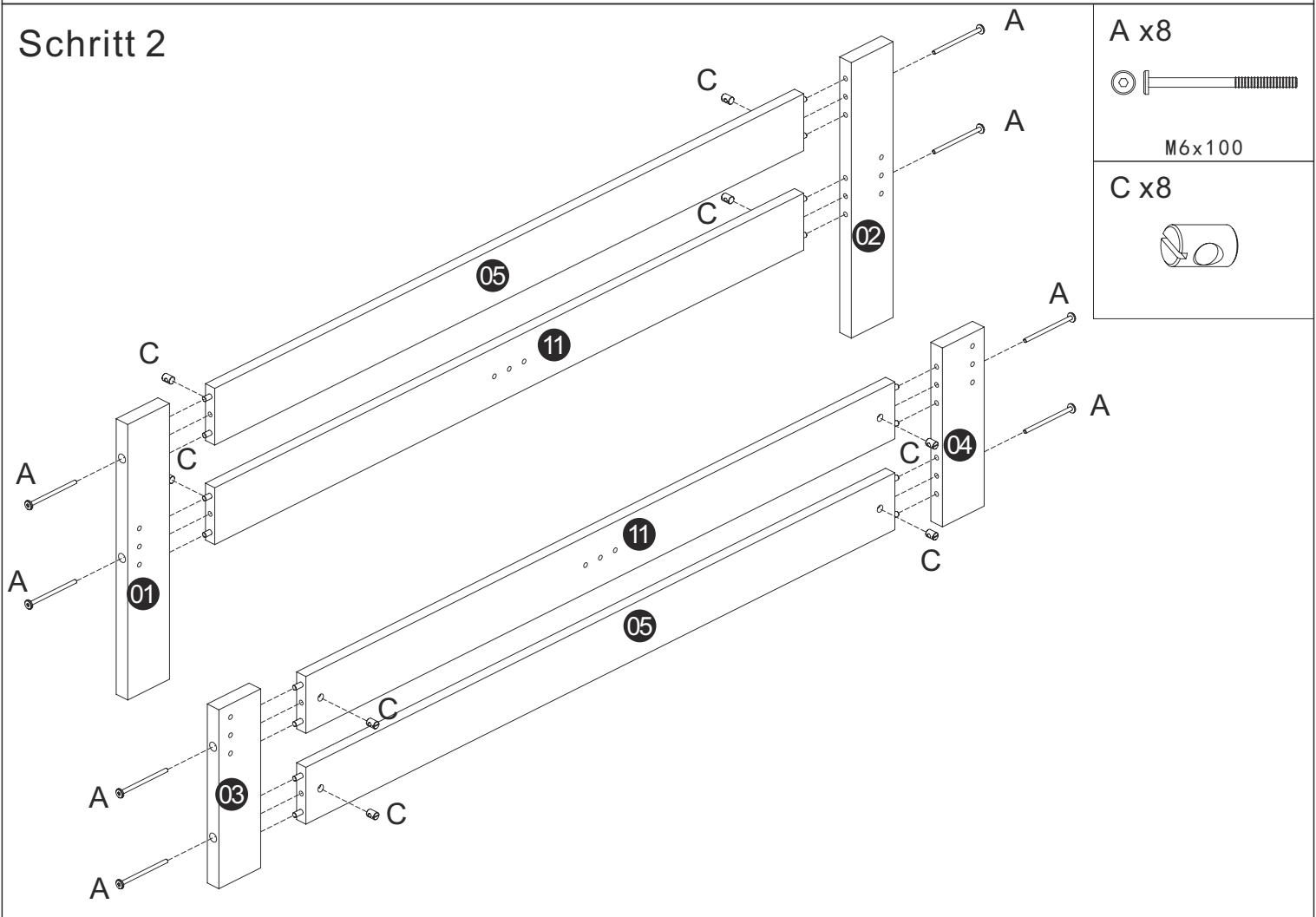
<p>A x8</p>  <p>M6x100</p>	<p>B x8</p>  <p>M6x70</p>	<p>C x16</p> 	<p>D x32</p>  <p>Φ8x30</p>	<p>E x2</p>  <p>M6x140</p>
<p>F x4</p> 	<p>G x86</p>  <p>Φ4x30</p>	<p>H x1</p> 	<p>J x1</p> 	<p>K x8</p> 
<p>L x6</p>  <p>Φ7x50</p>				

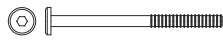
Schritt 1




D x 32

 Φ8x30

Schritt 2



A x 8

 M6x100

C x 8


Schritt 3 x2

E x2

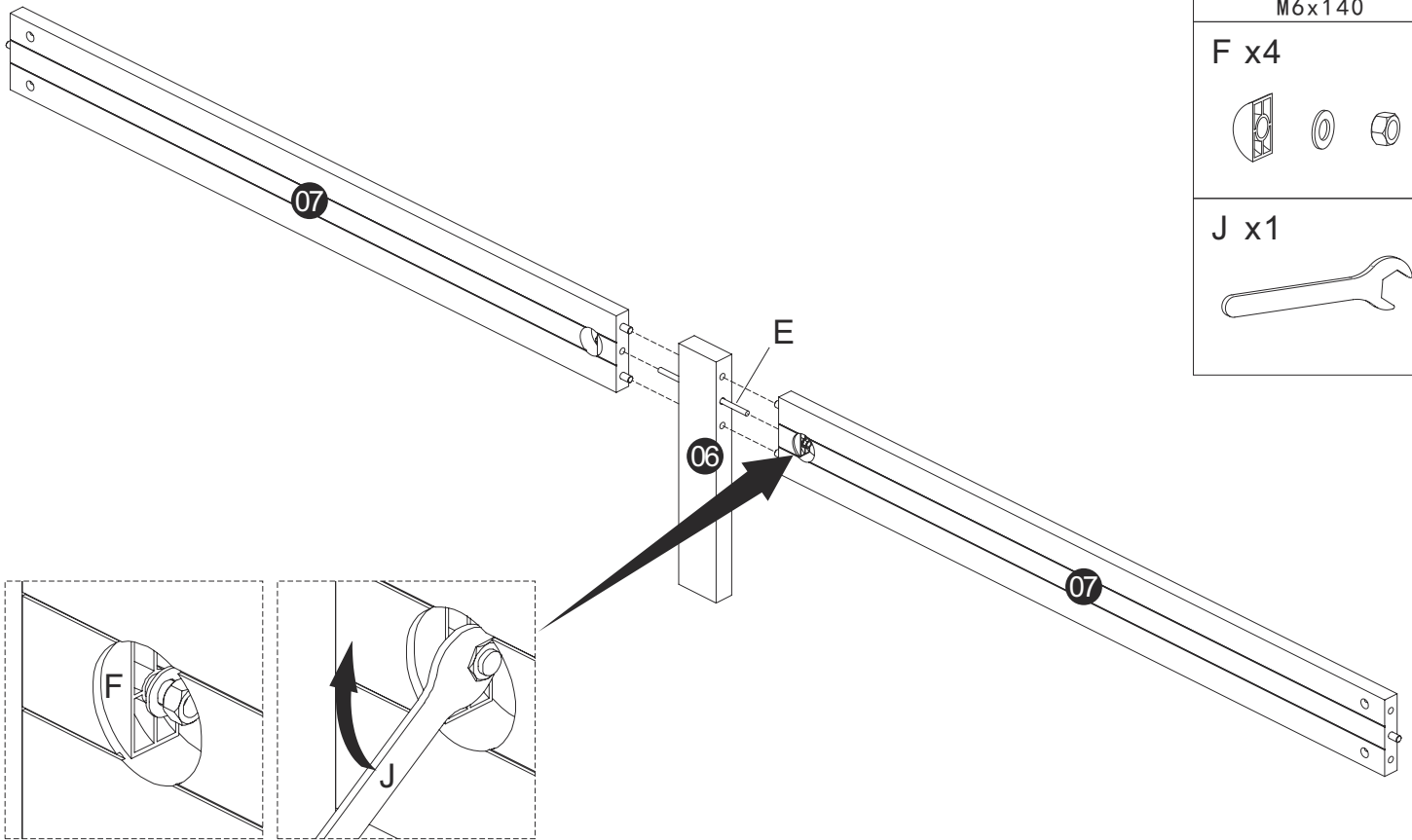


M6x140

F x4



J x1

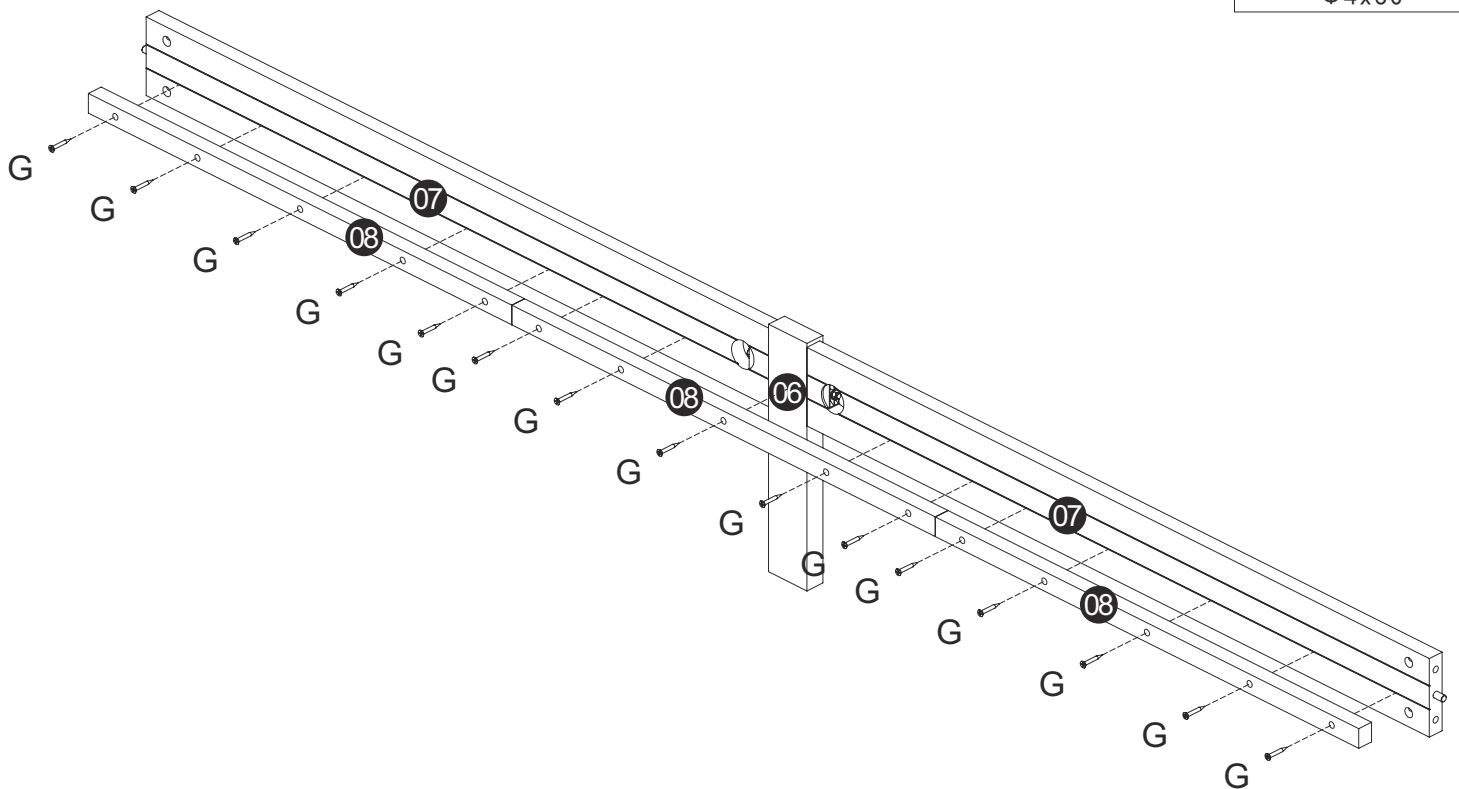


Schritt 4 x2

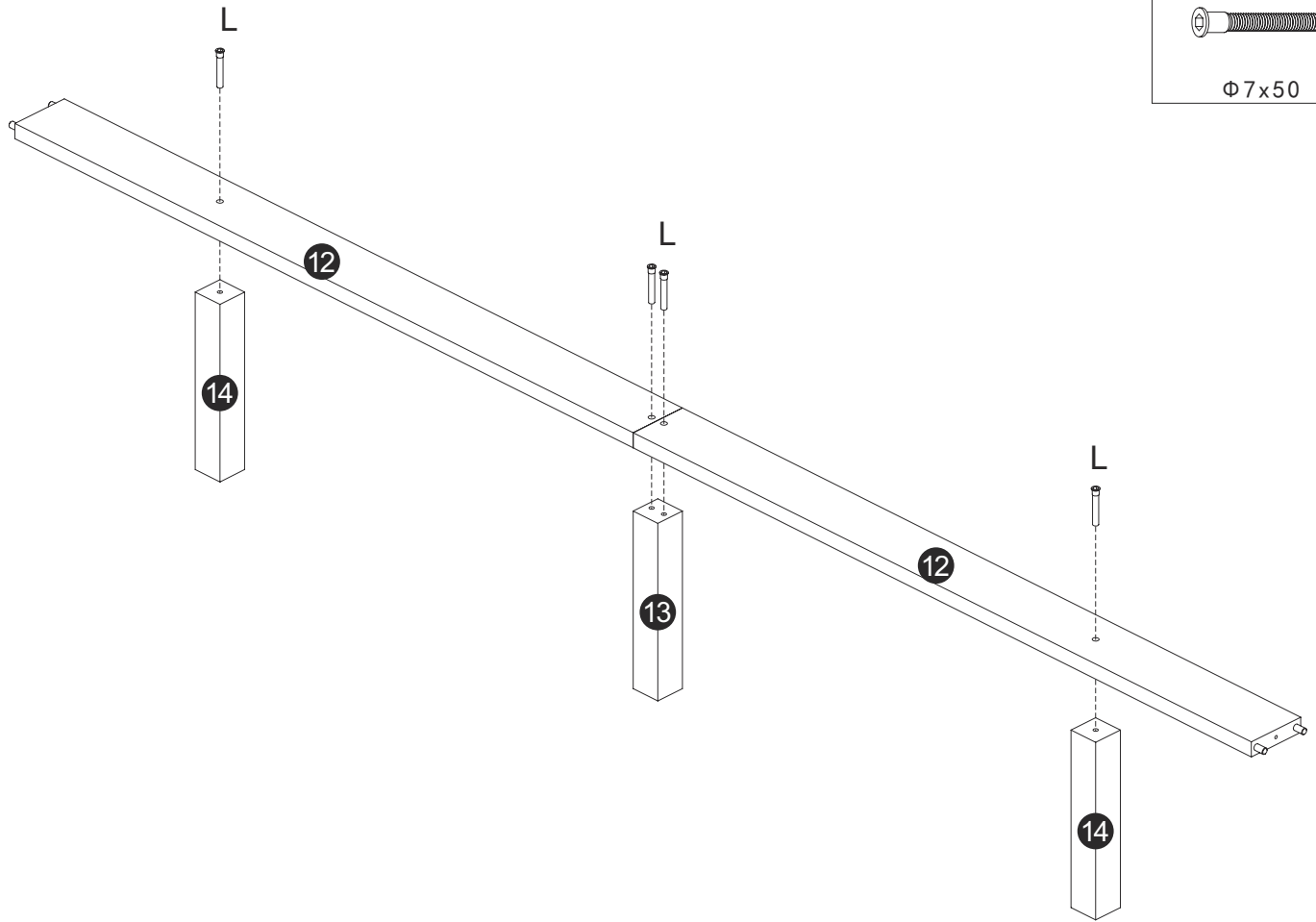
G x30



Φ4x30



Schritt 5

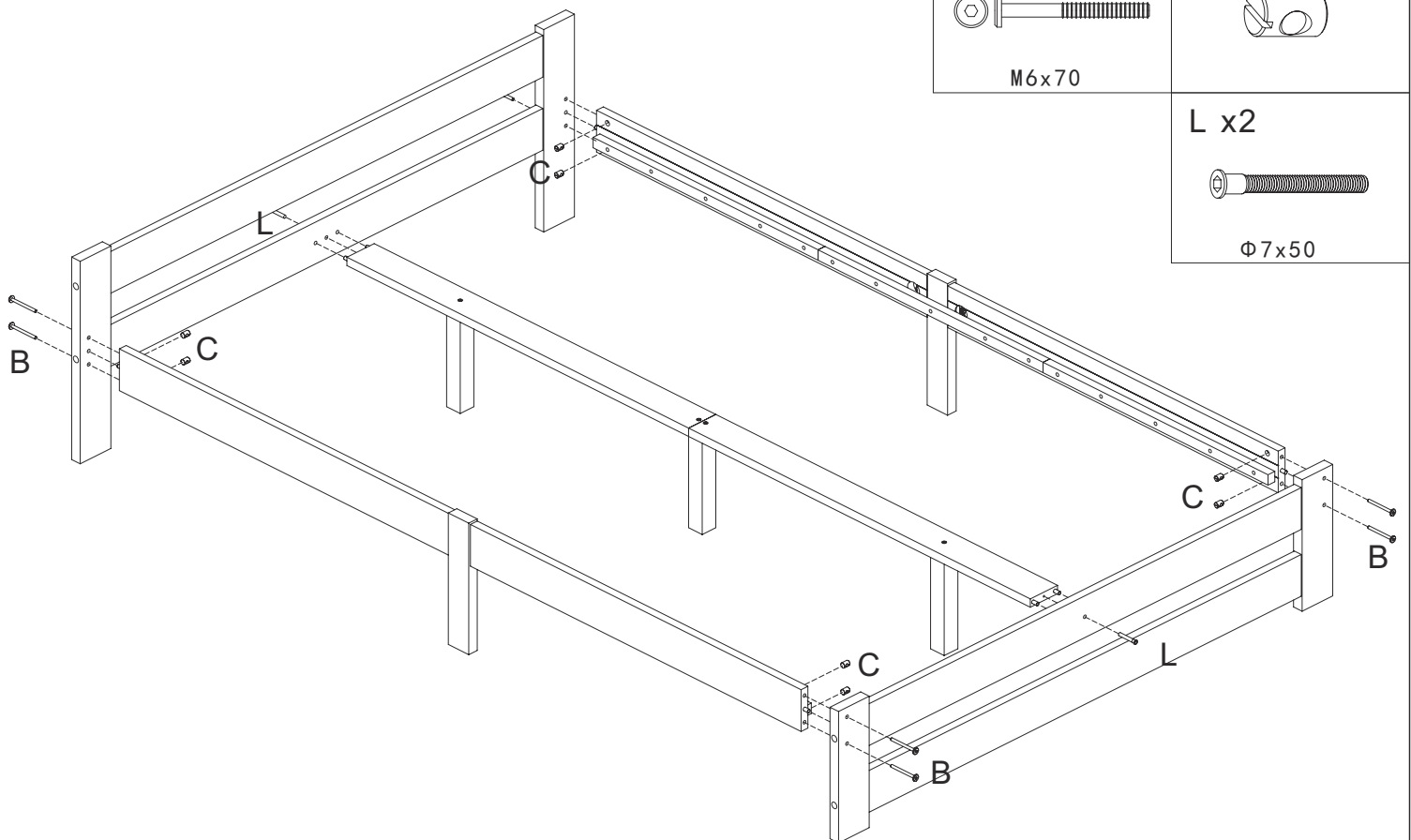


L x4



Φ7x50

Schritt 6

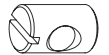


B x8



M6x70

C x8

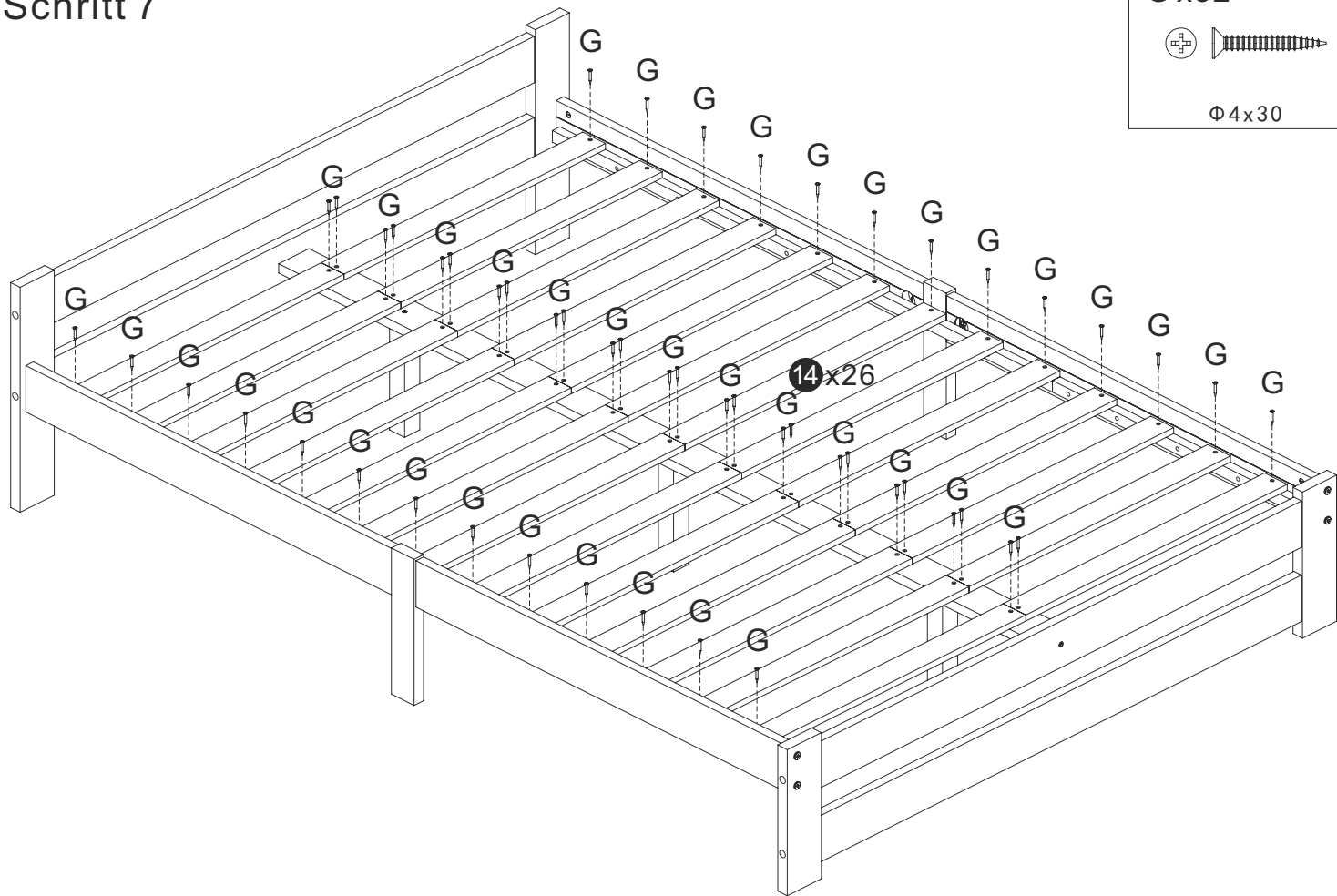


L x2

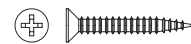


Φ7x50

Schritt 7

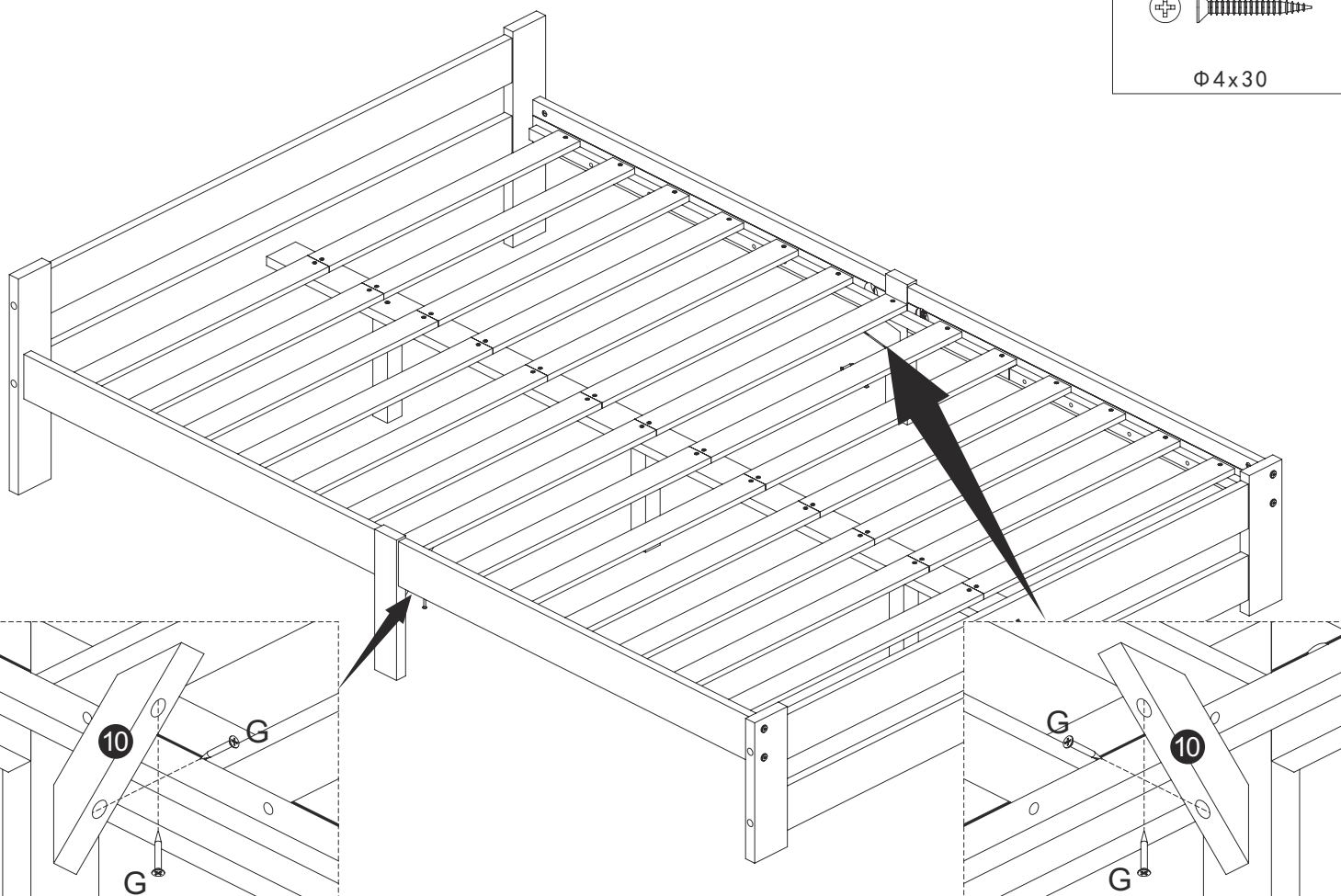


G x52

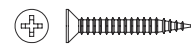


Φ4x30

Schritt 8



G x4



Φ4x30

Schritt 9

K x8

