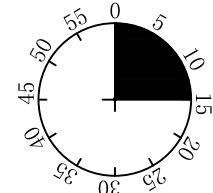
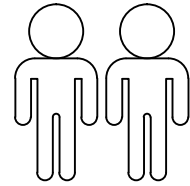
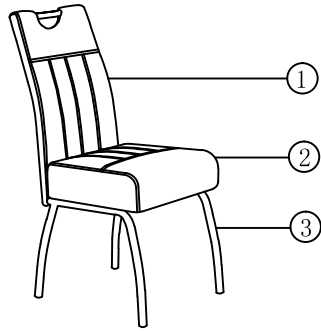


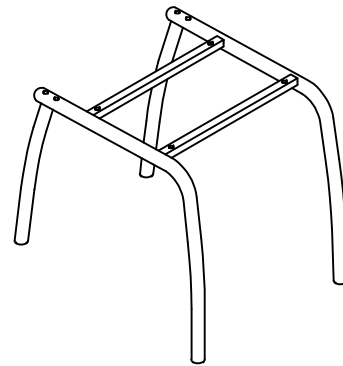
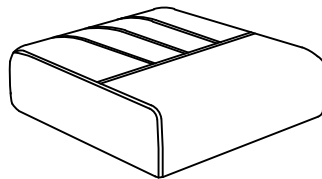
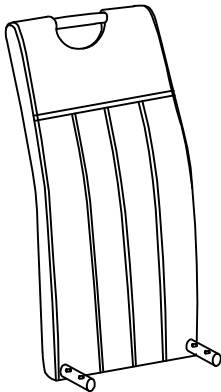
# Beate



1

2

3

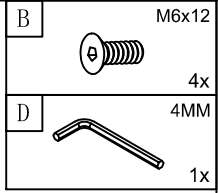
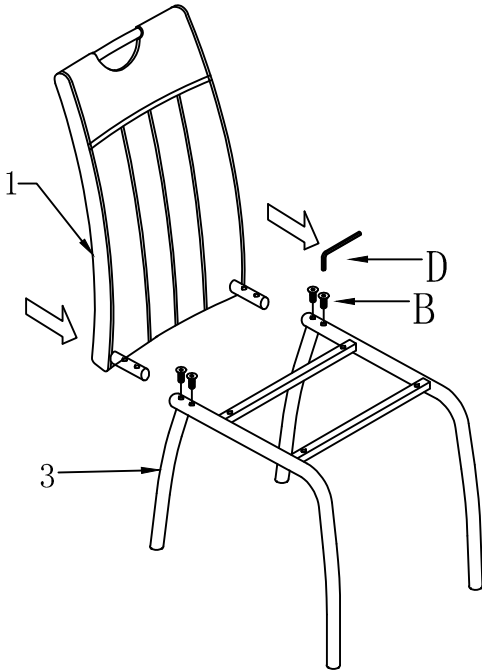


1	1x
2	1x
3	1x

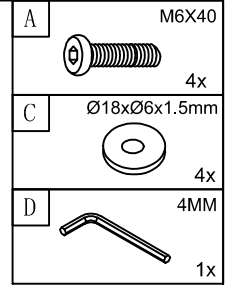
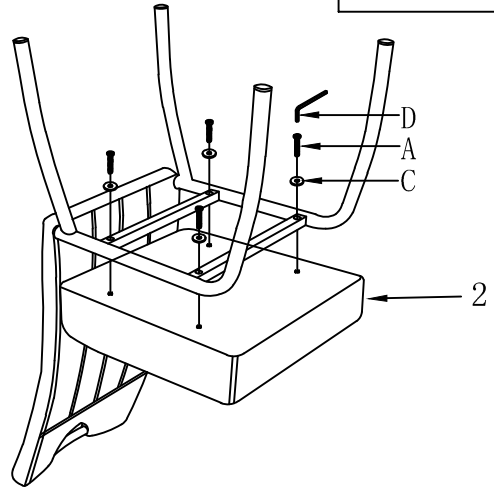
A	M6x40	B	M6x12	C	Ø18xØ6x1.5mm	D	4MM
	4x		4x		4x		1x

I.

1



2



3

