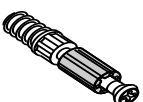
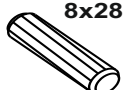
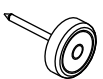








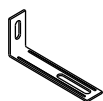

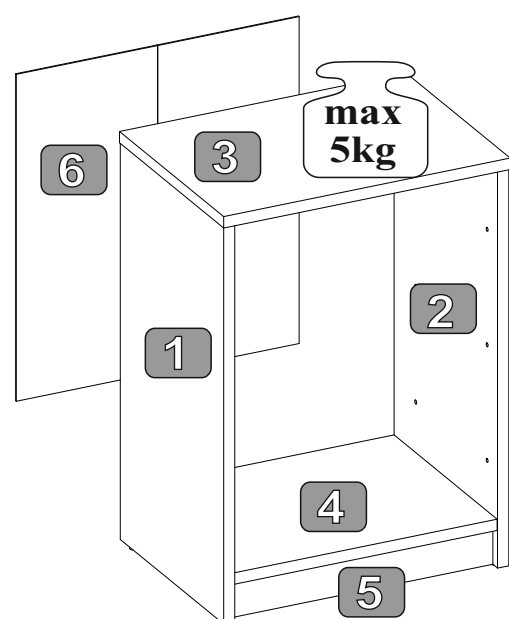
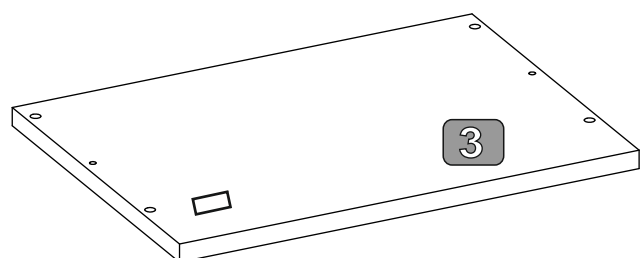
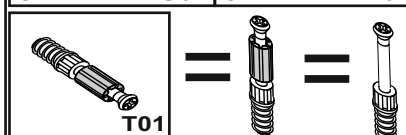
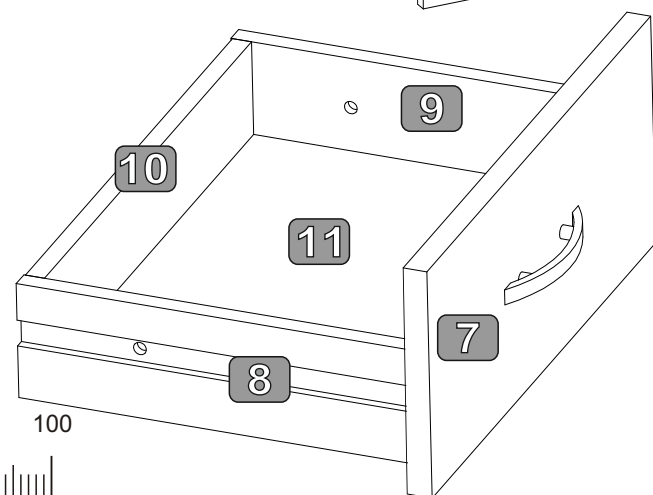
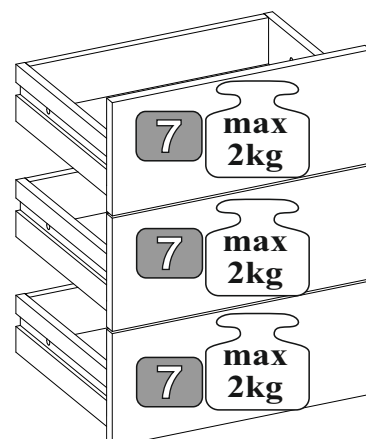
 4x T02	 4x T01	 34x D01	 4x S01	 24x G01	 3x U01	 6x W05
 6x U02	 6x P02	 2x L01	 1x F01	 1x F11	 1x P01	 2x W07



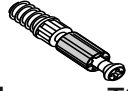
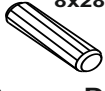


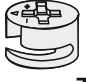
NR	DIM	QTE	COLLI
1	522x278x15	1	1/1
2	522x278x15	1	1/1
3	385x280x15	1	1/1
4	353x277x15	1	1/1
5	353x49x15	1	1/1
6	430x190x2	2	1/1
7	347x149x15	3	1/1
8	246x75x12	3	1/1
9	246x75x12	3	1/1
10	321x75x12	3	1/1
11	332x246x2	3	1/1

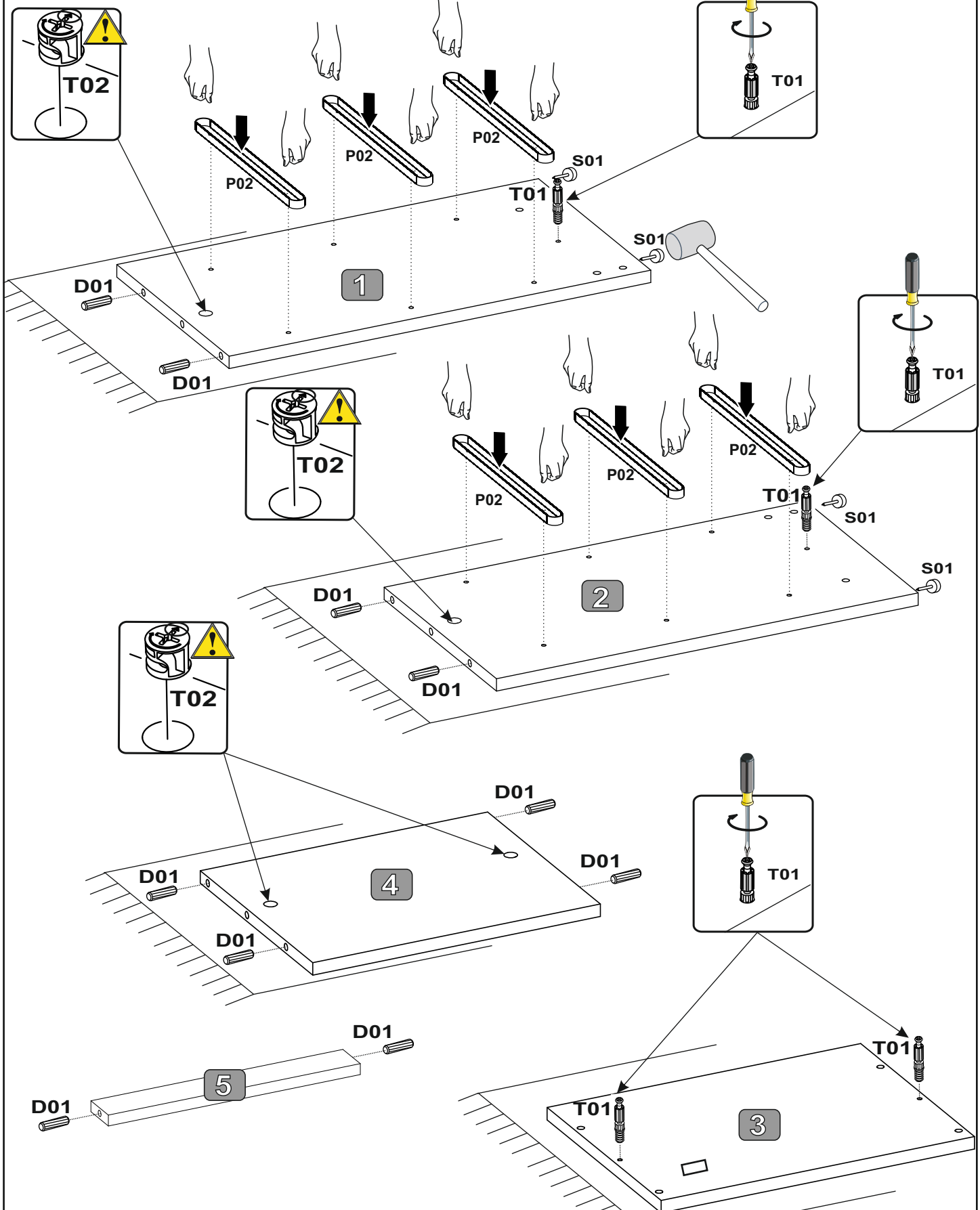


0 10 20 30 40 50 60 70 80 90 100

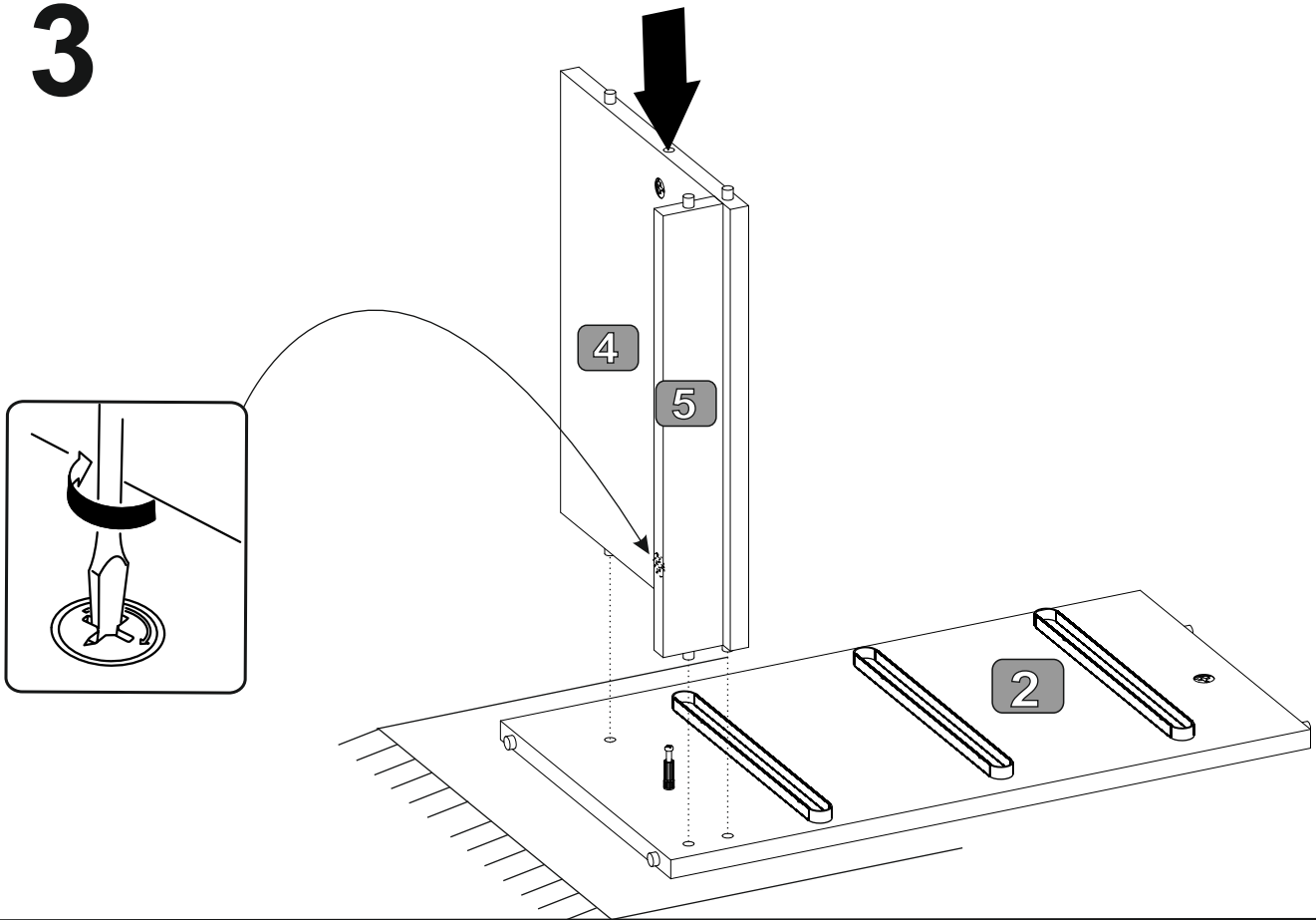


2

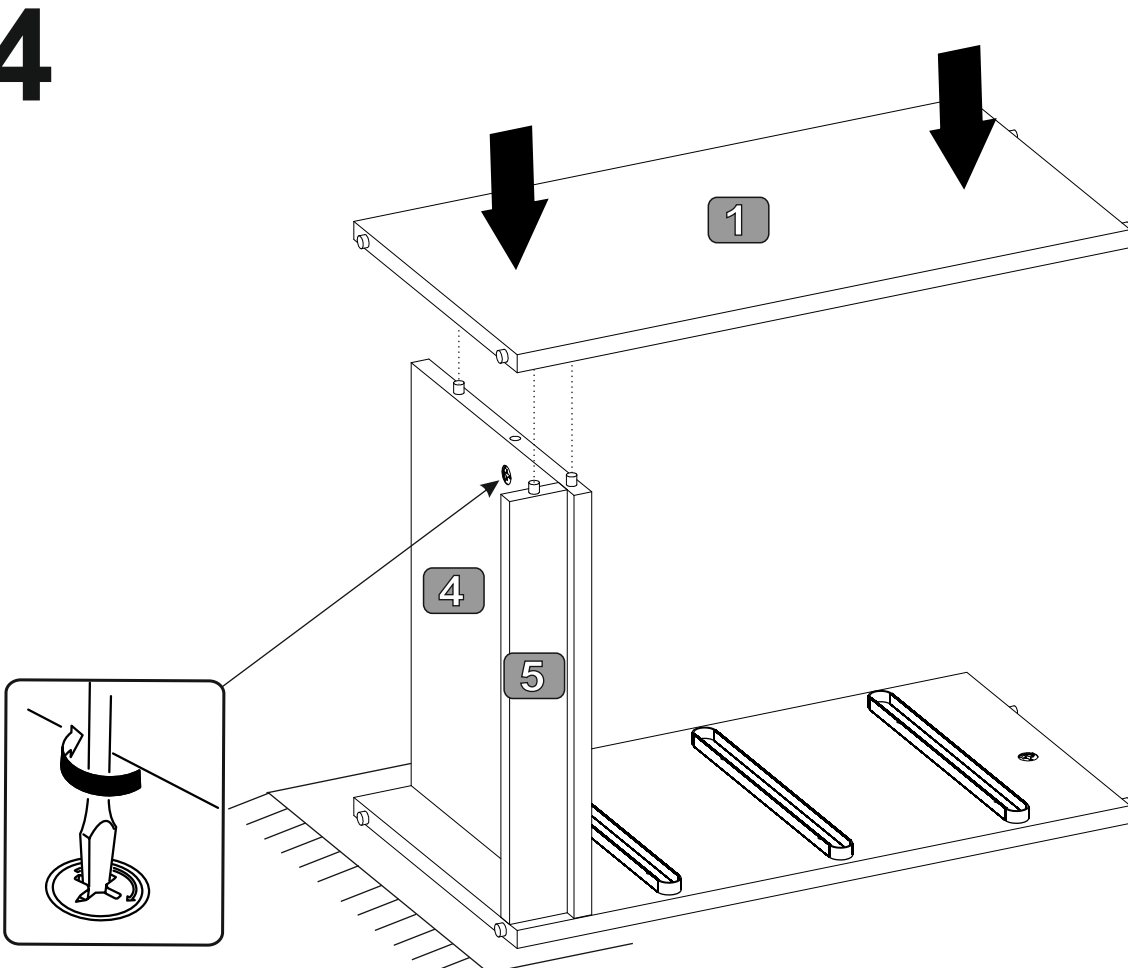
 4x T01	 8x28 10x D01	 4x S01	 6x P02	 15x12 4x T02
---	---	---	---	--



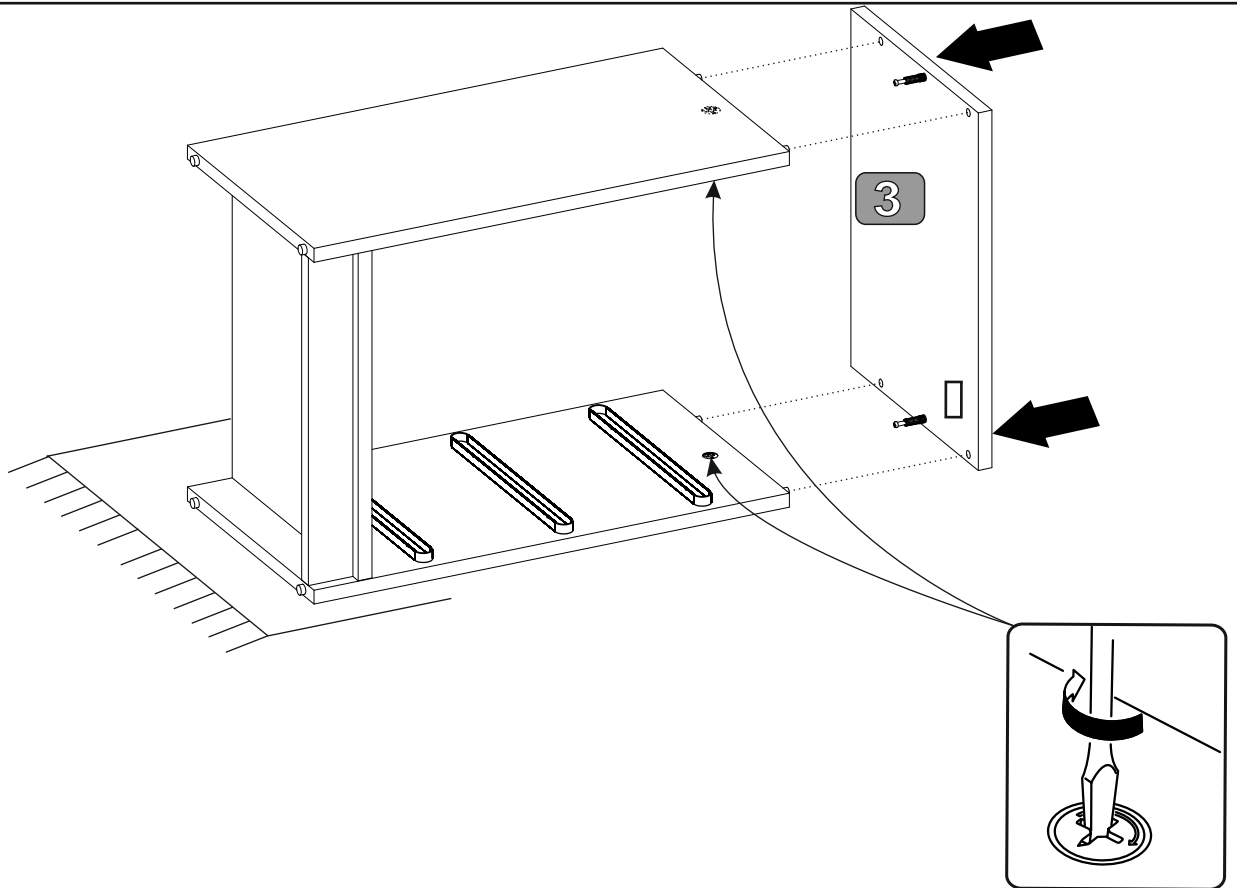
3



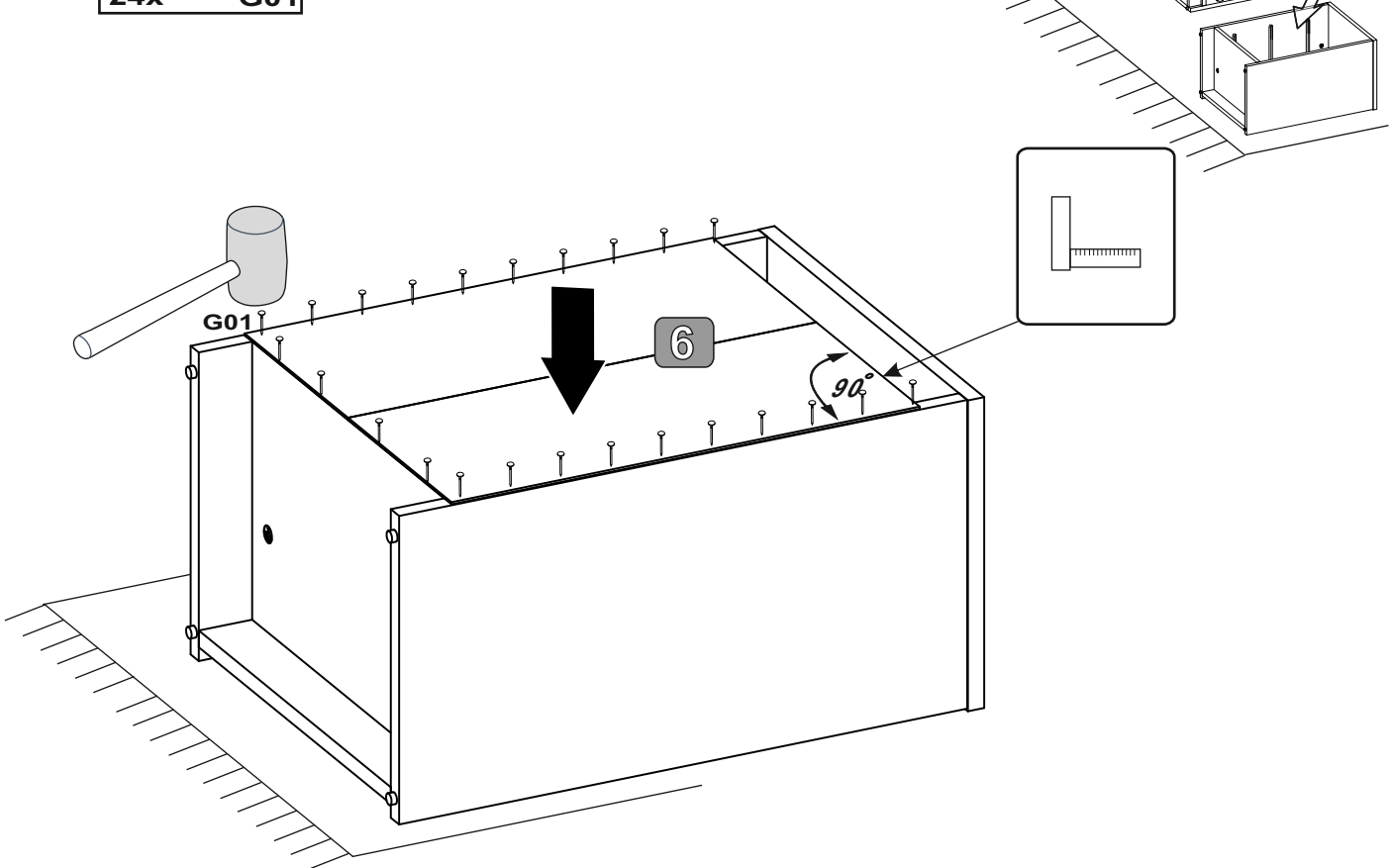
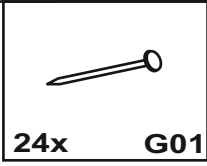
4







5

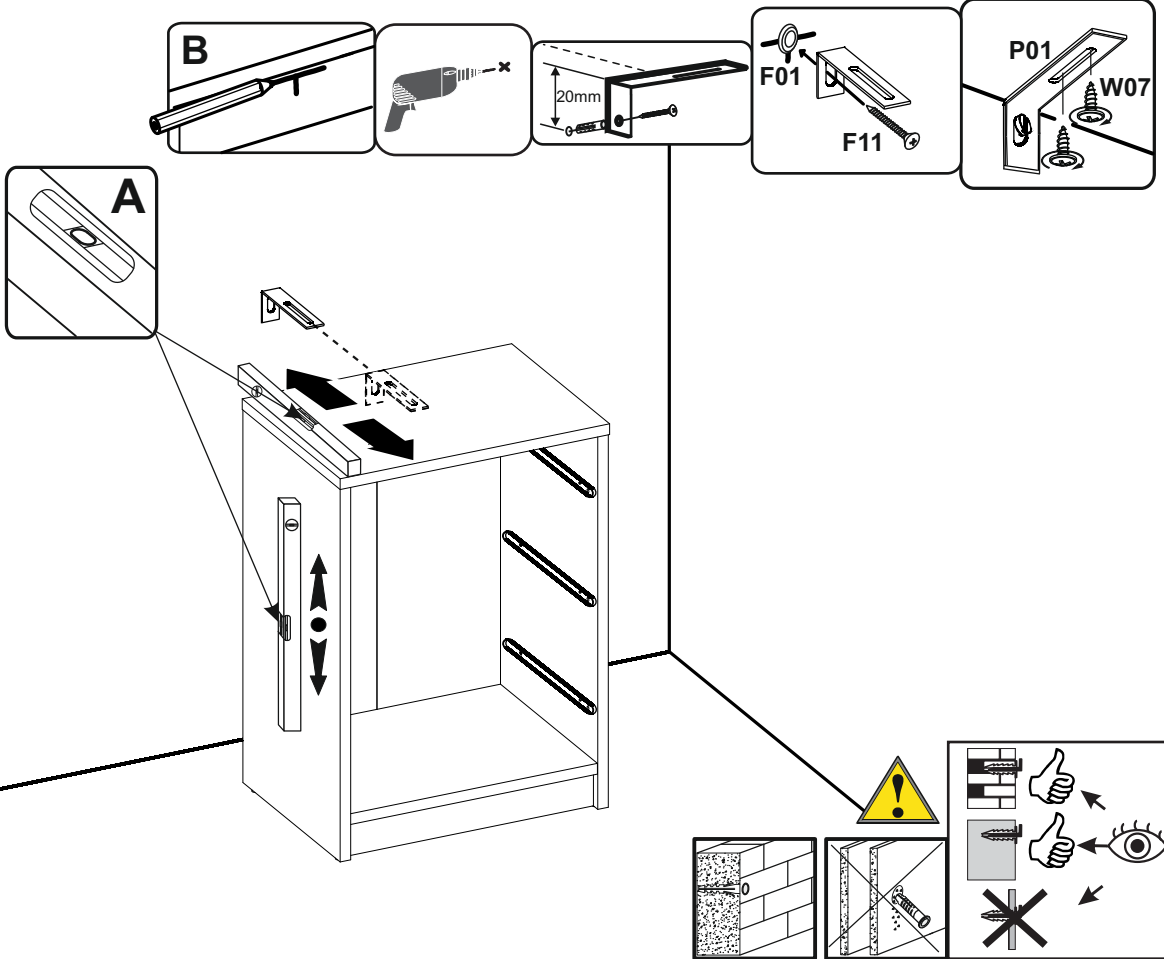


6





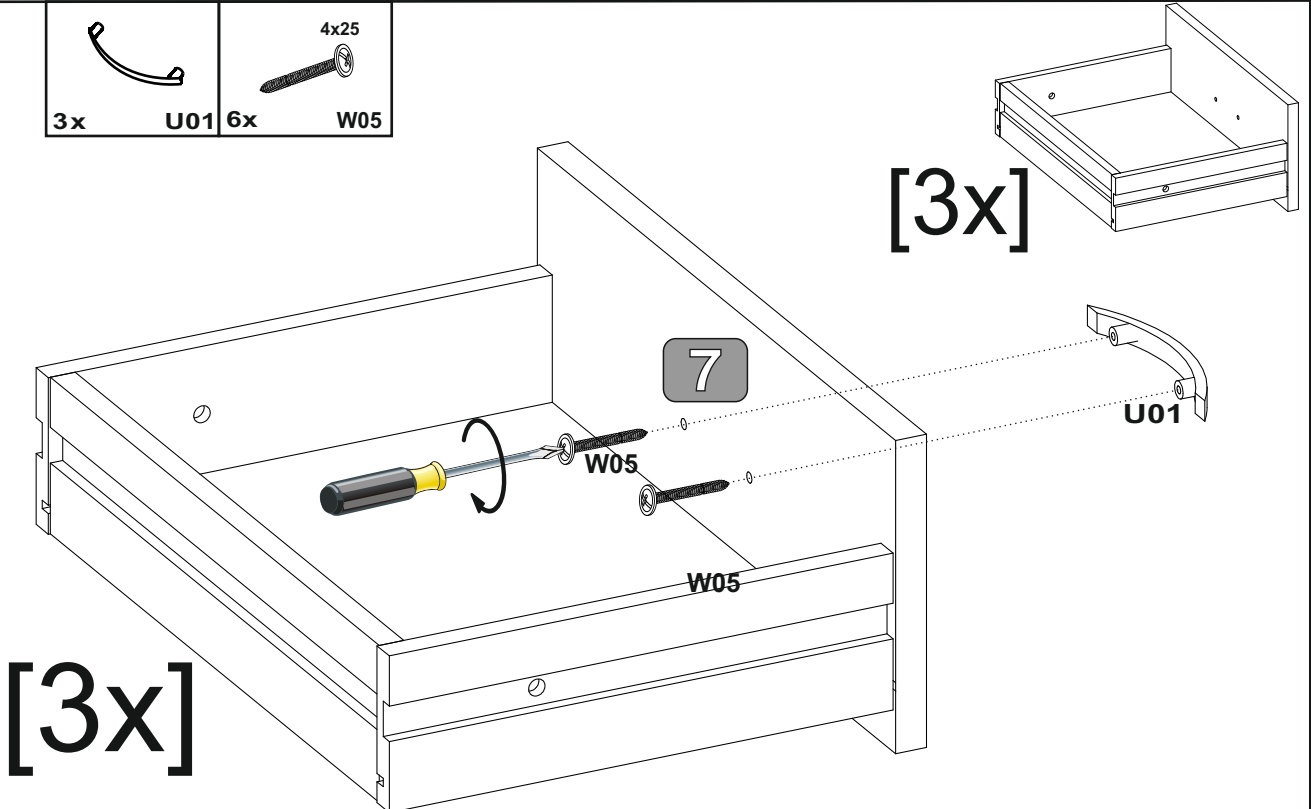
7

 1x F01	 1x F11	 1x P01	 2x W07
---	---	---	---



8

 3x U01	 6x W05
---	---



9

