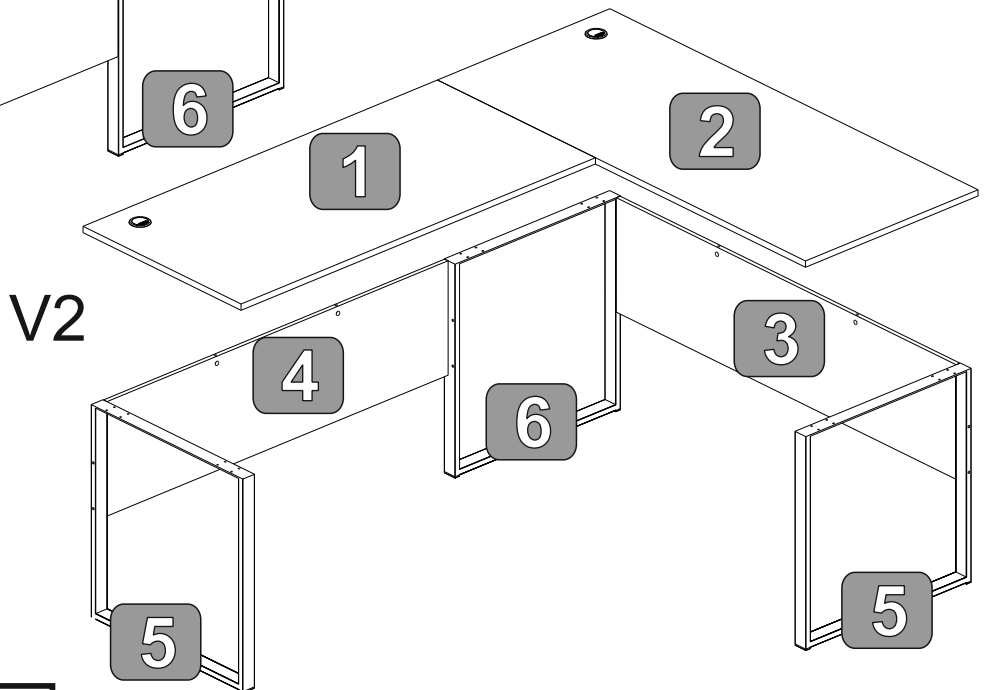
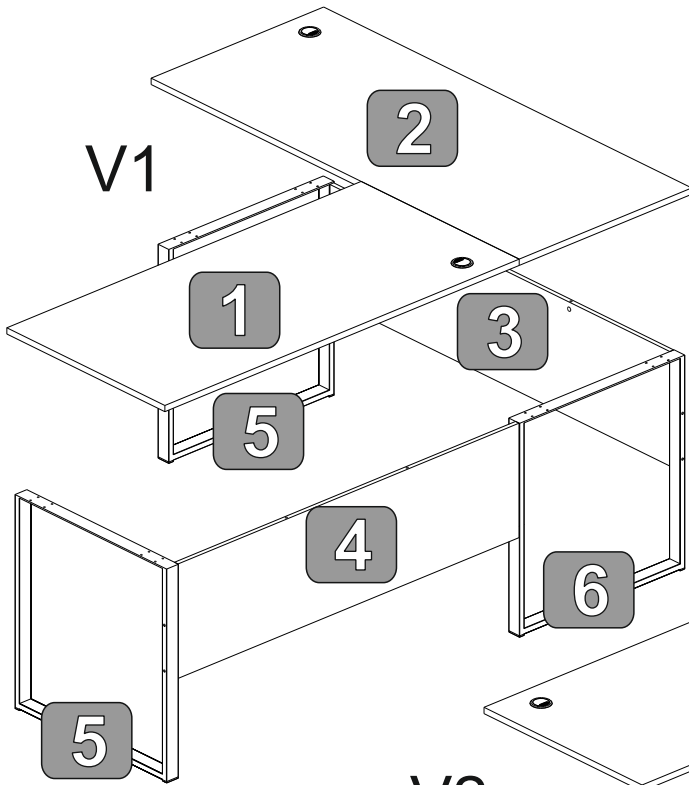
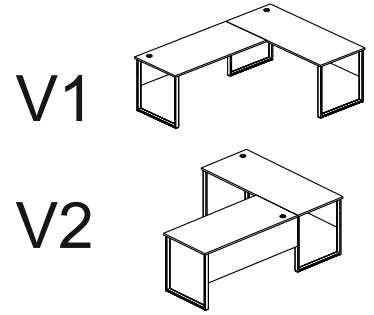
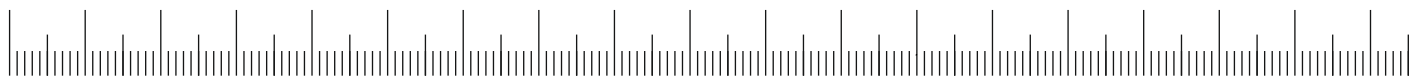



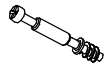
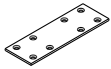

<b>S2</b> x2	<b>S3</b> x6	<b>B3</b> x2	<b>W10</b> x40	<b>I1</b> x1	<b>C4</b> x2
<b>C3</b> x4	<b>A2</b> x2	<b>M1</b> x4	<b>T1</b> x4	<b>M2</b> x2	

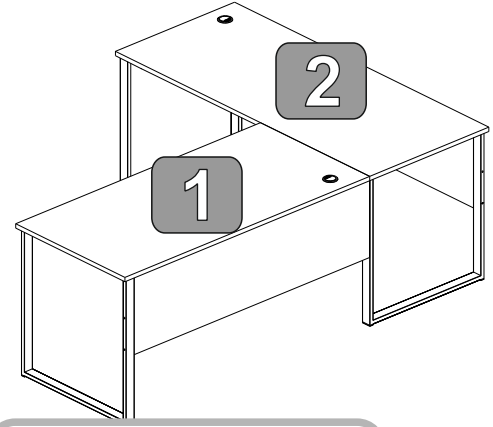
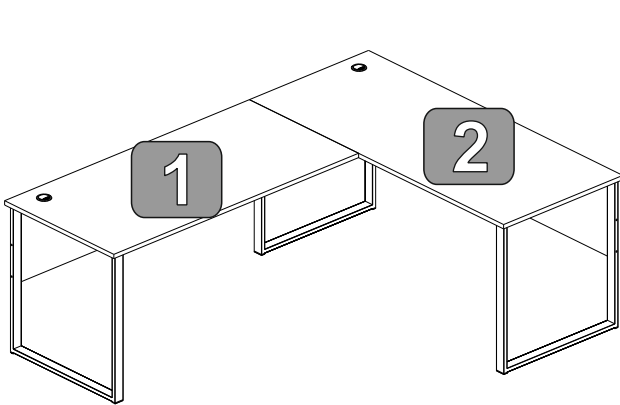


NR				ST.	
1	1500	730	22	1	2/2
2	1700	730	22	1	1/2
3	1570	400	16	1	1/2
4	1443	400	16	1	2/2
5	700	748	50	2	
6	700	748	50	1	

0 10 20 30 40 50 60 70 80 90 100 110 120 130 140 150 160 170 180 190 200




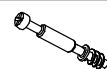
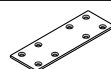

			
M1 x4	T1 x4	B3 x2	W10 x8

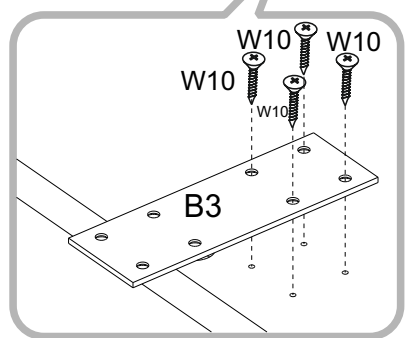
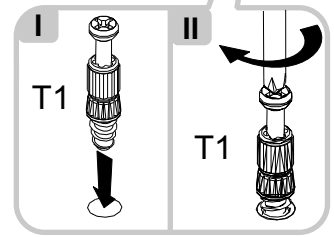
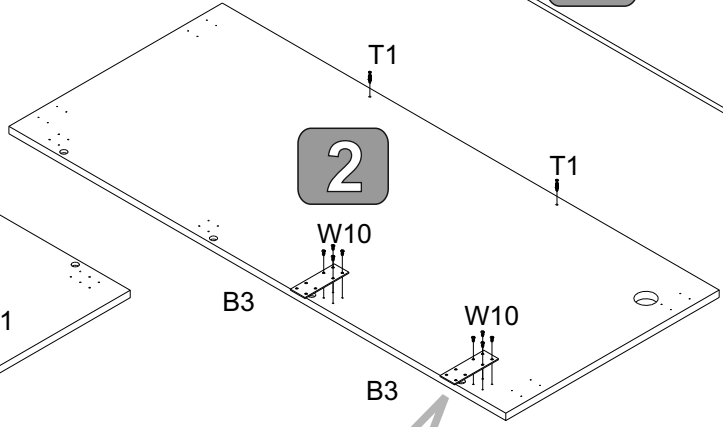
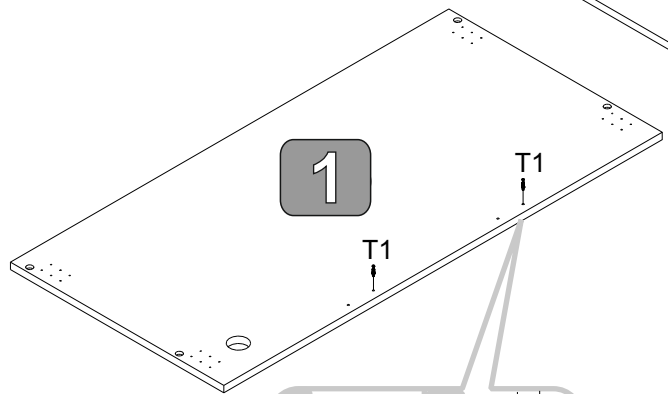
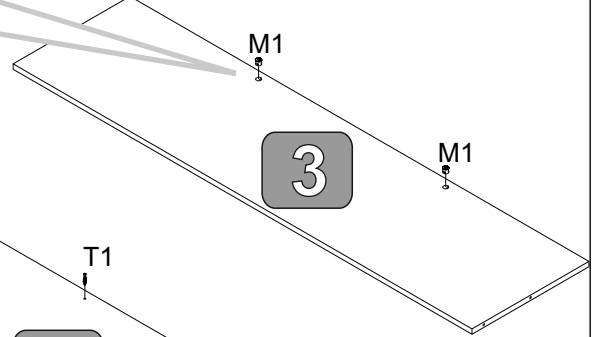
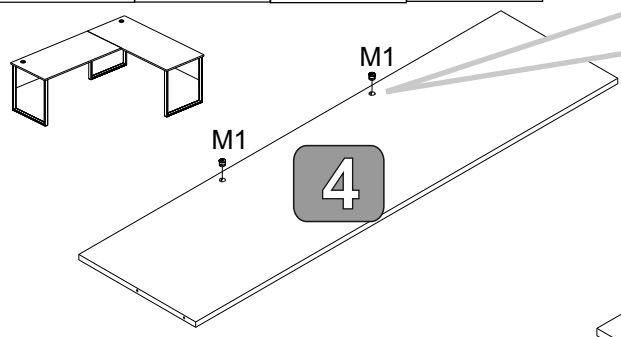
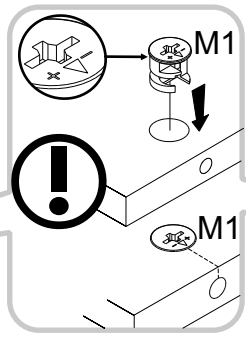


**1-8** V1

**9-17** V2

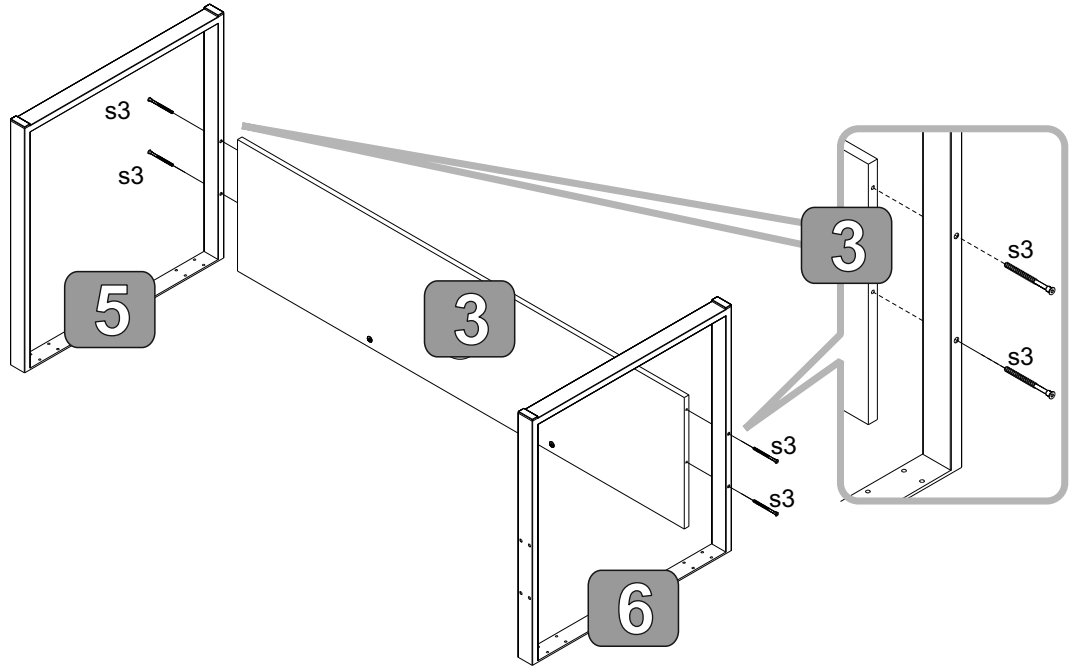
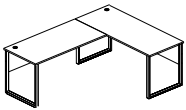
**1**

			
M1 x4	T1 x4	B3 x2	W10 x8



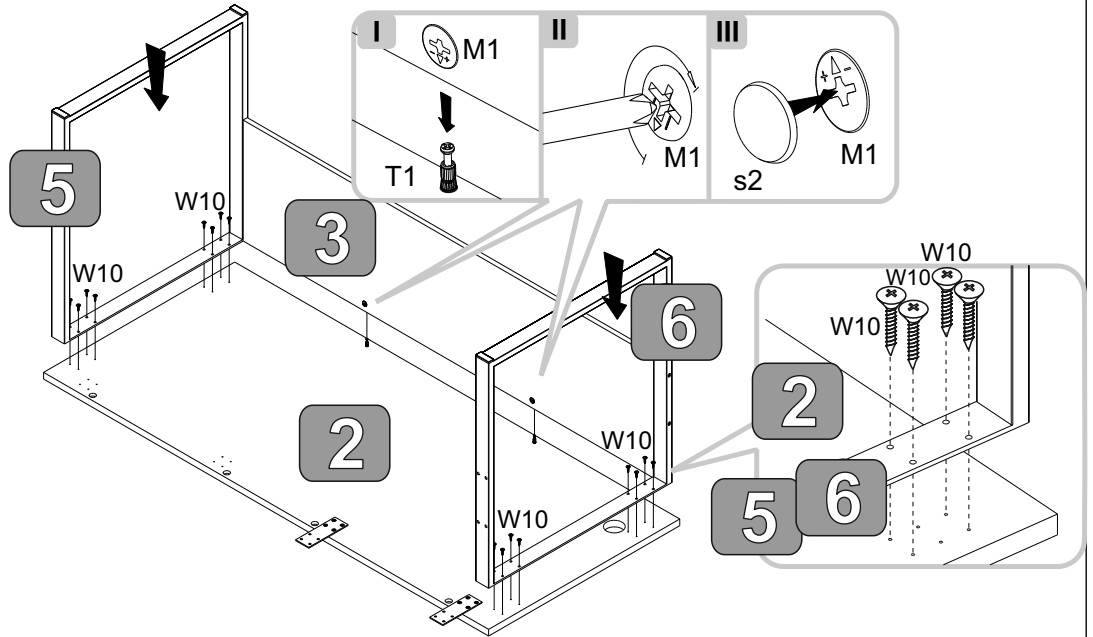
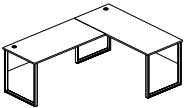
**3**

S3 x4	I1 x1



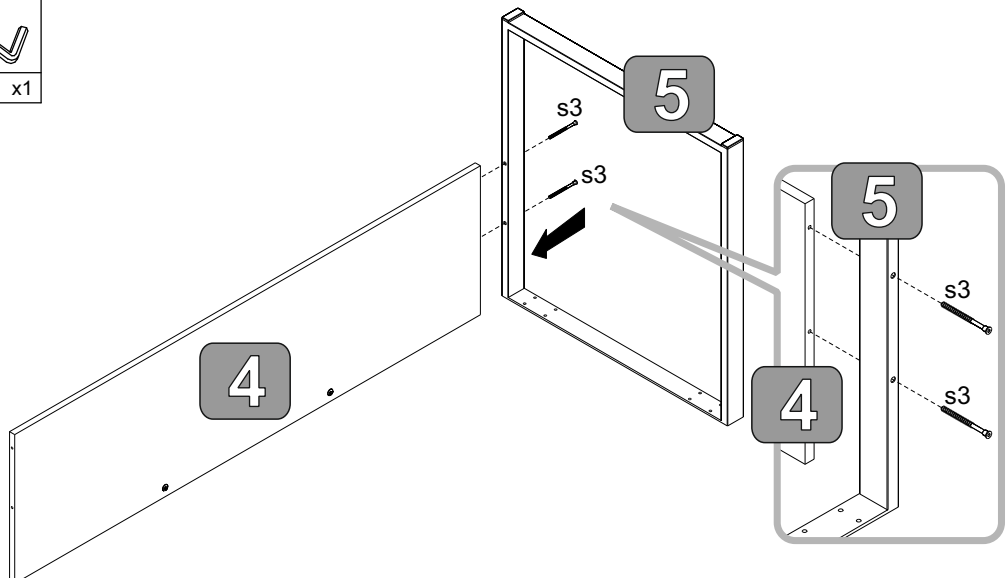
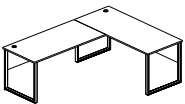
**4**

W10 x16	C3 x2

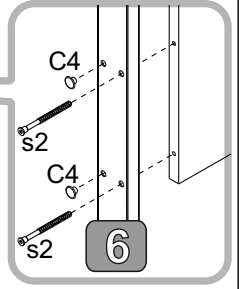
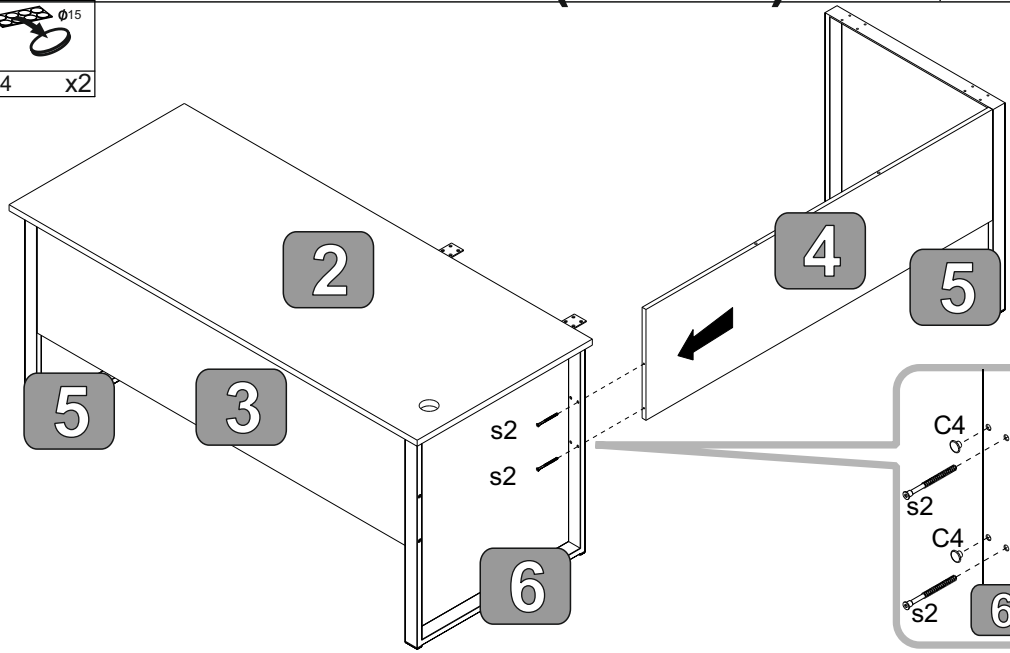
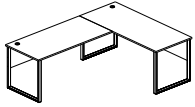
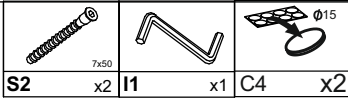


**5**

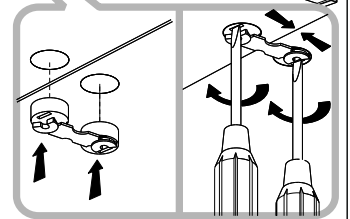
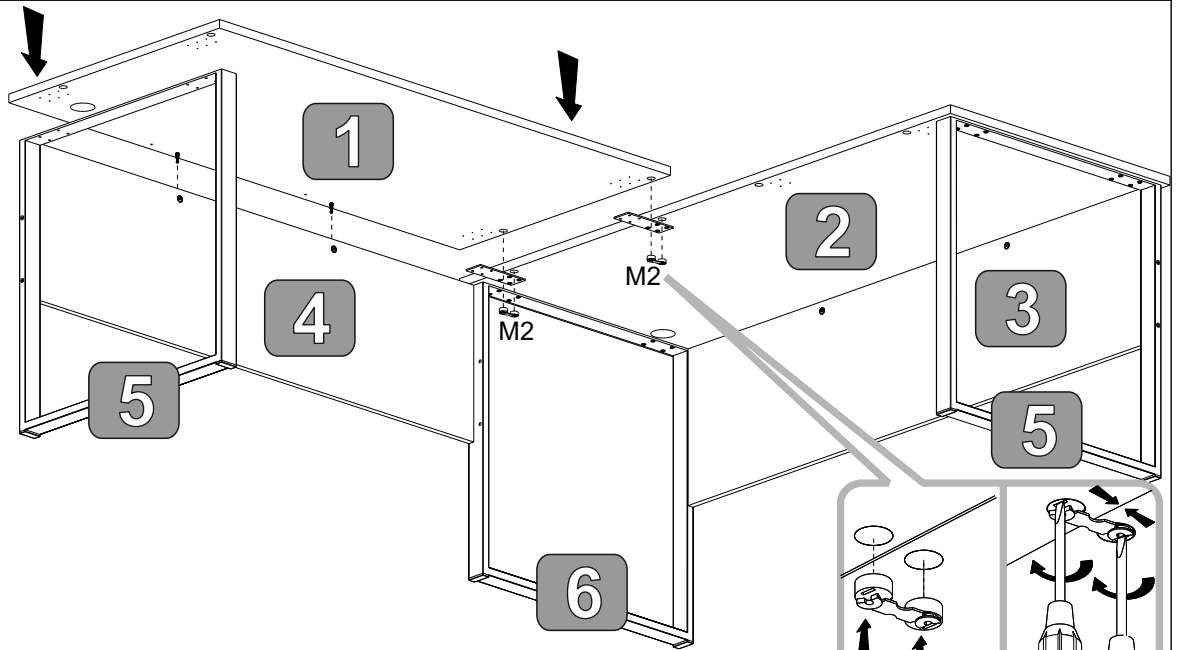
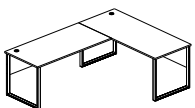
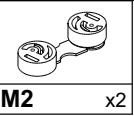
S3 x2	I1 x1



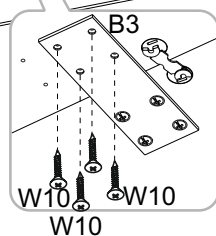
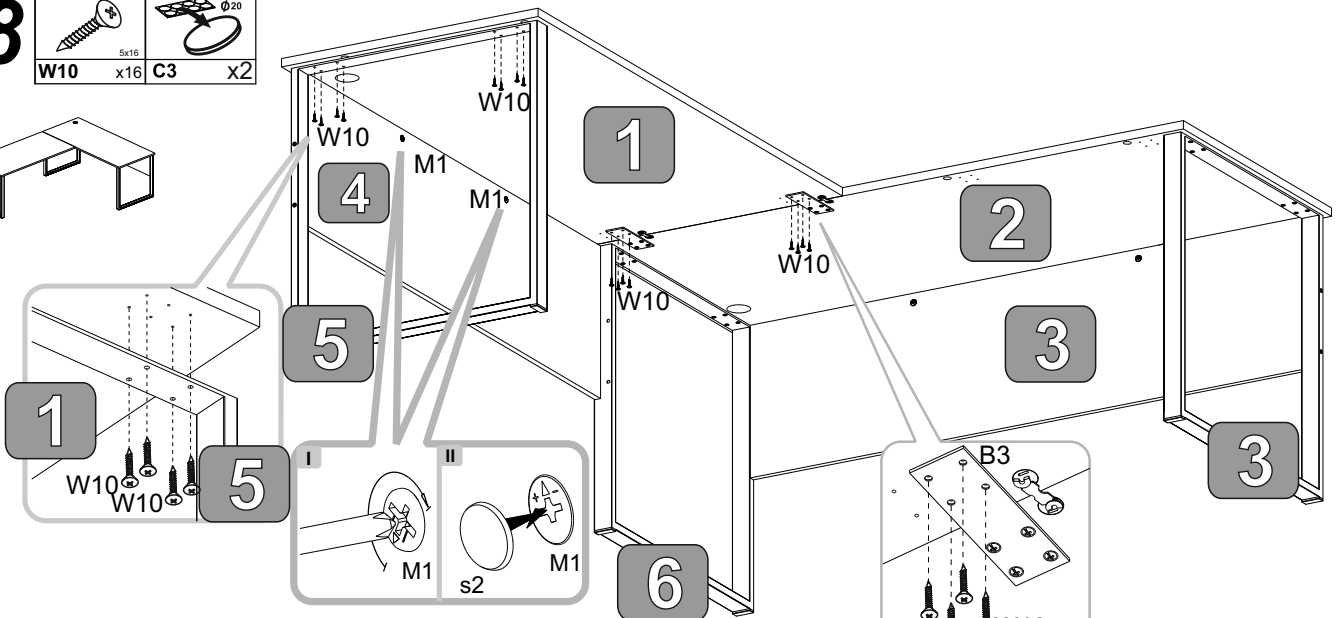
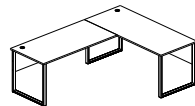
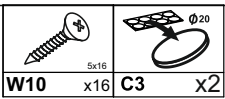
**6**



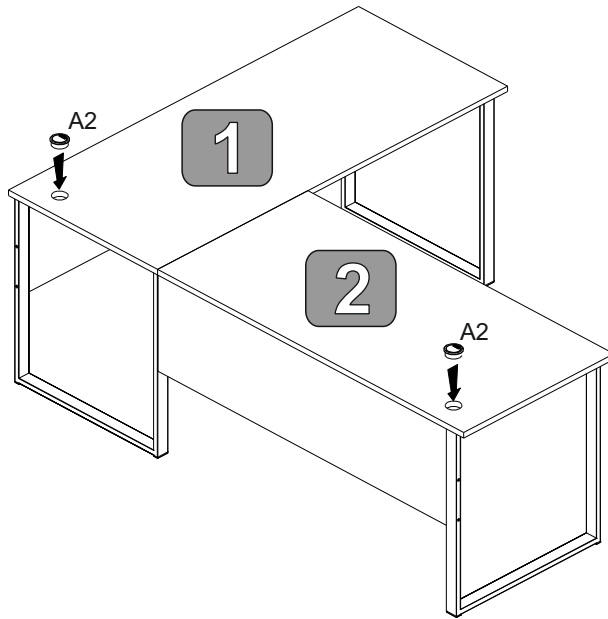
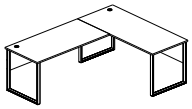
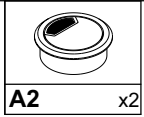
**7**



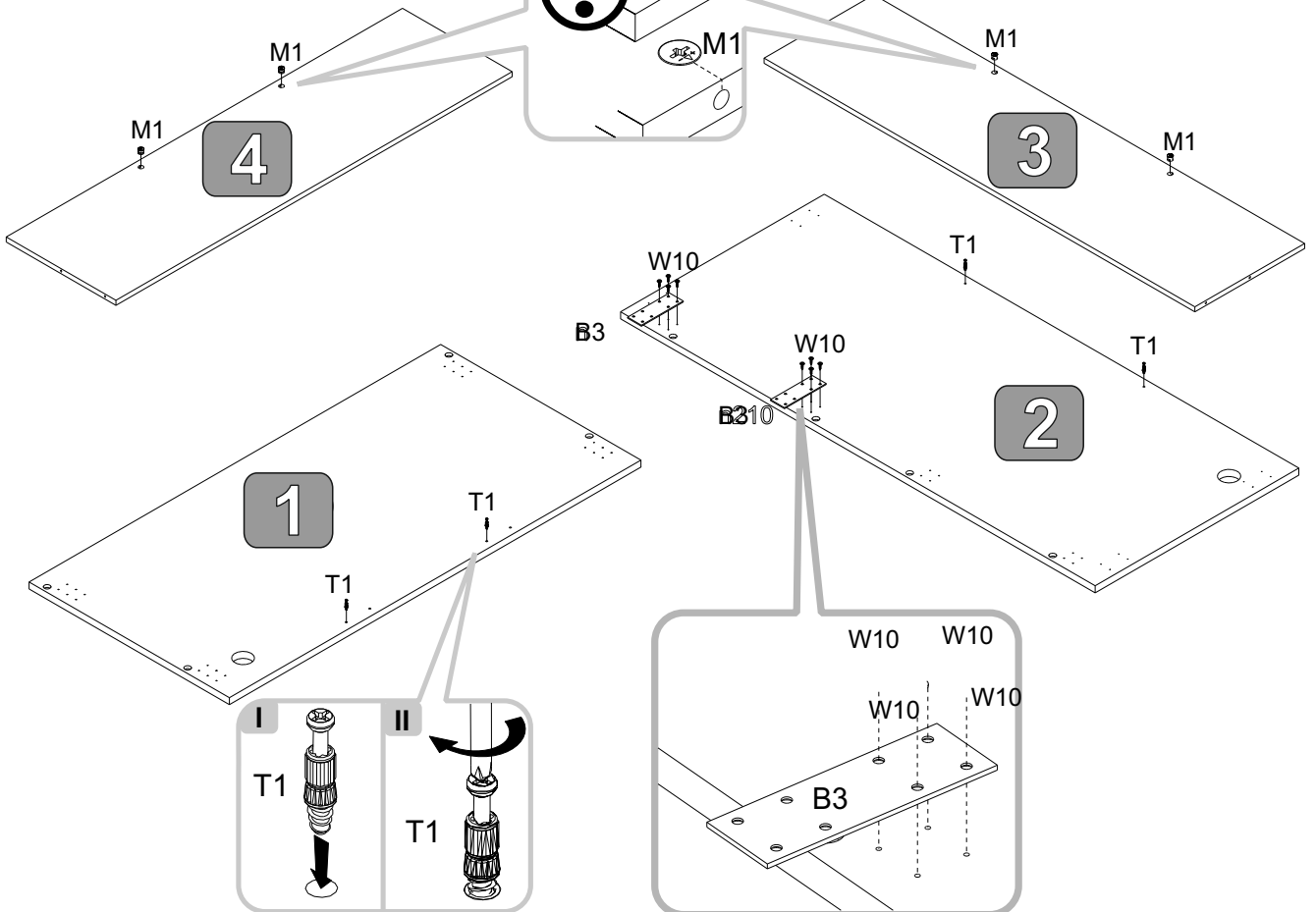
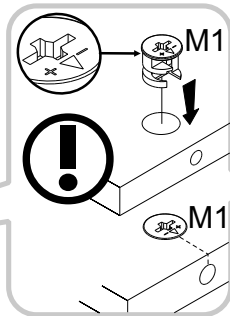
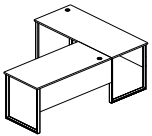
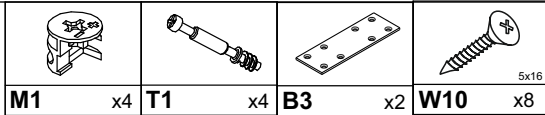
**8**





9

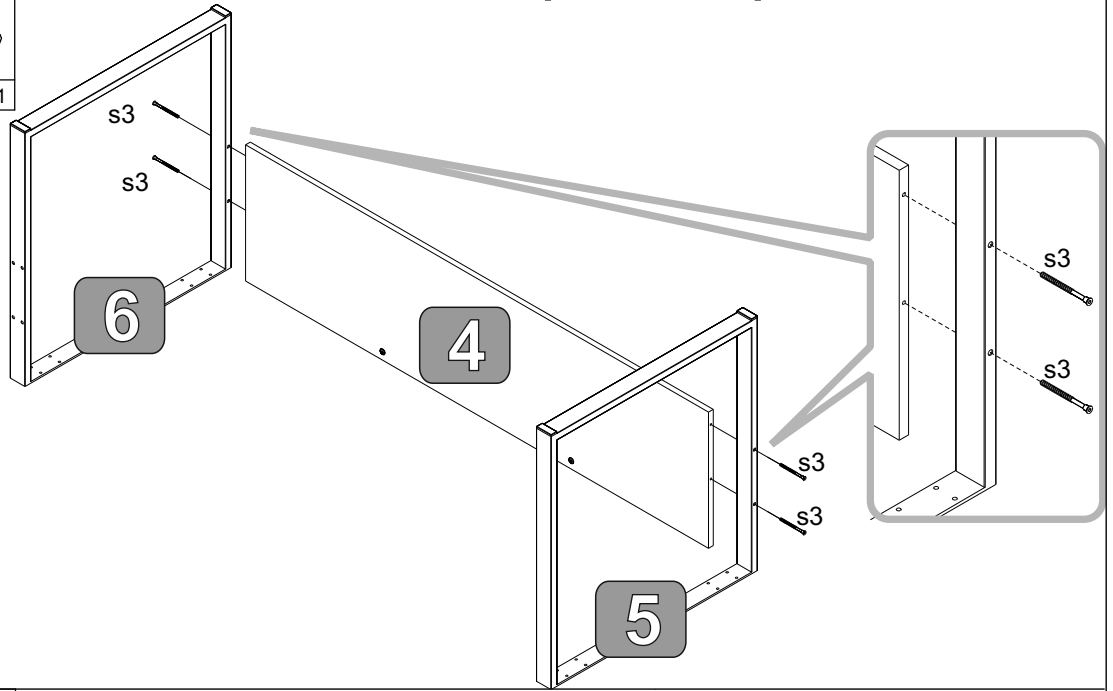
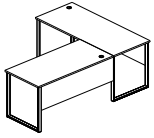


10

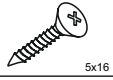



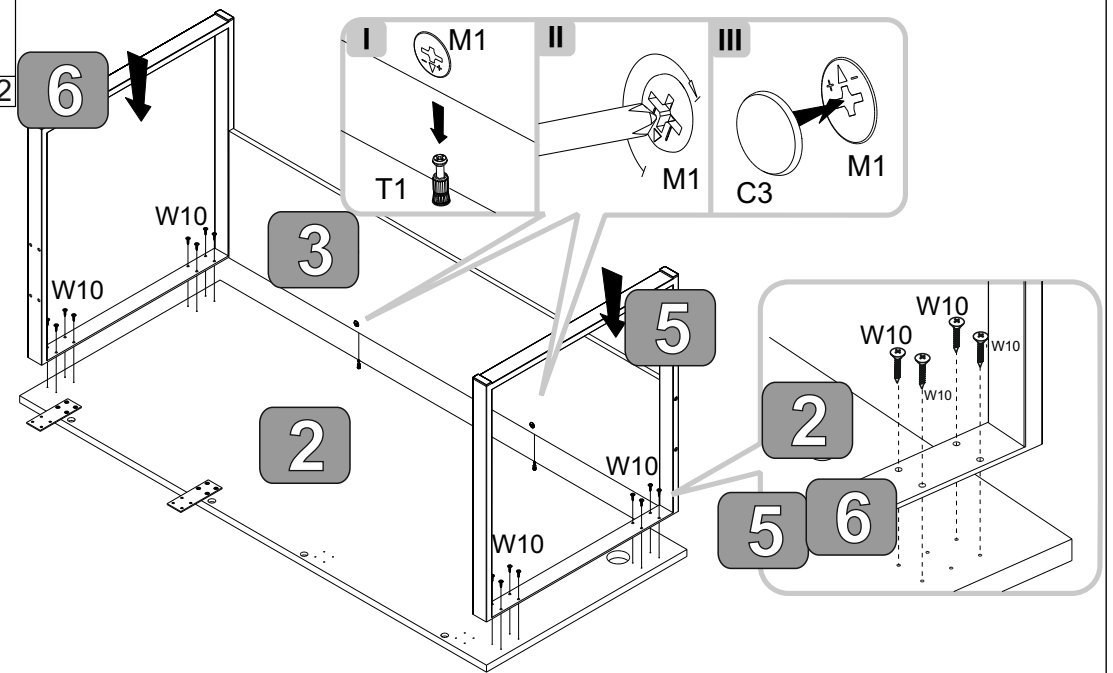
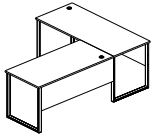
## 11

	
S3 x4	L1 x1


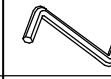


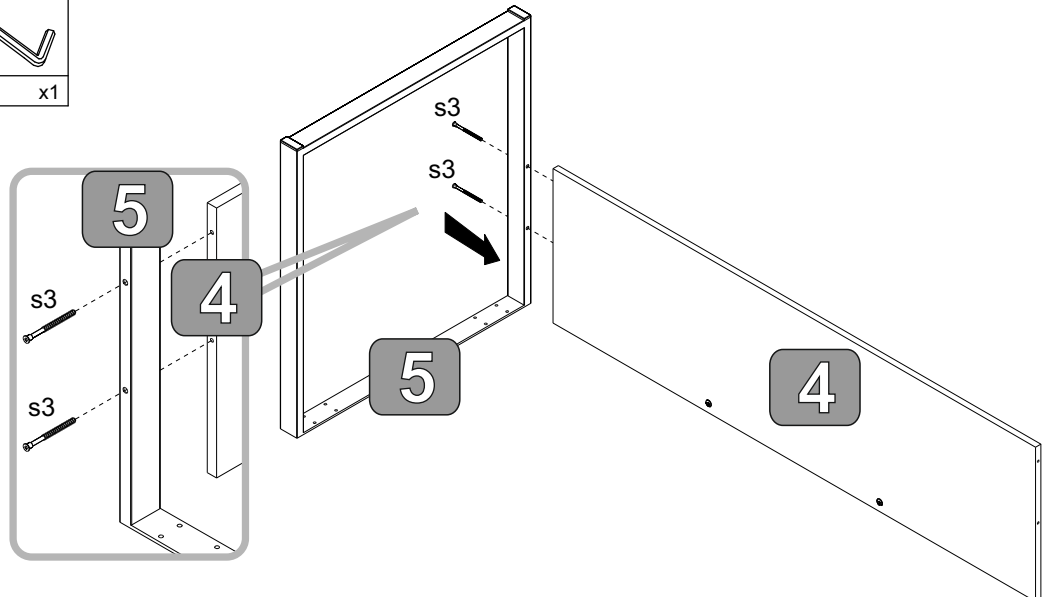
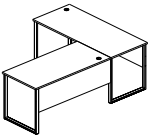
## 12

	
W10 x16	C3 x2

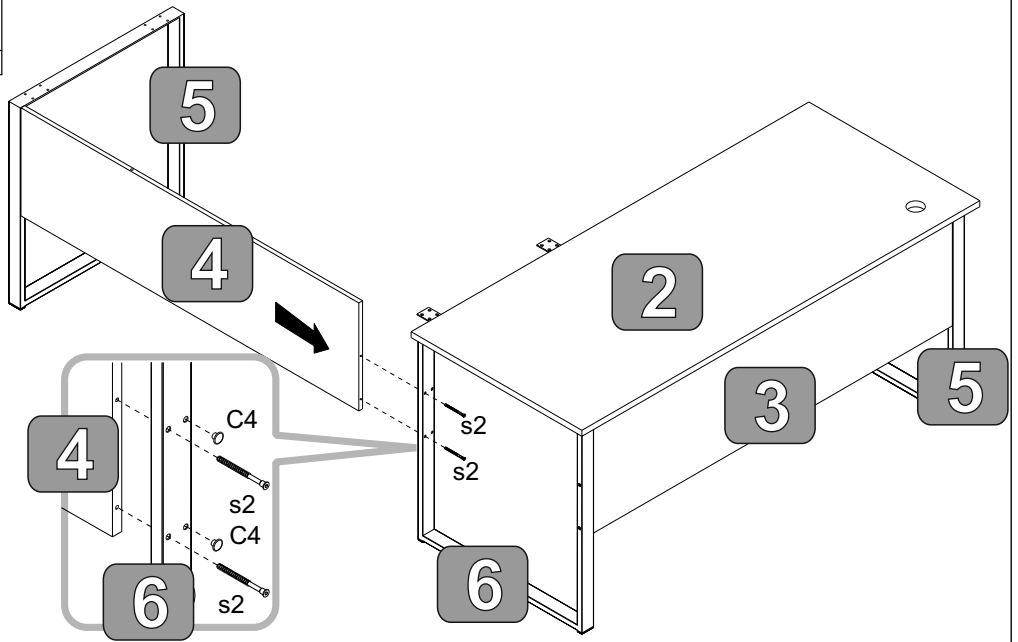
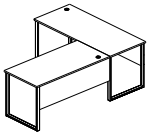
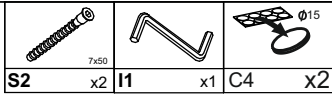


## 13

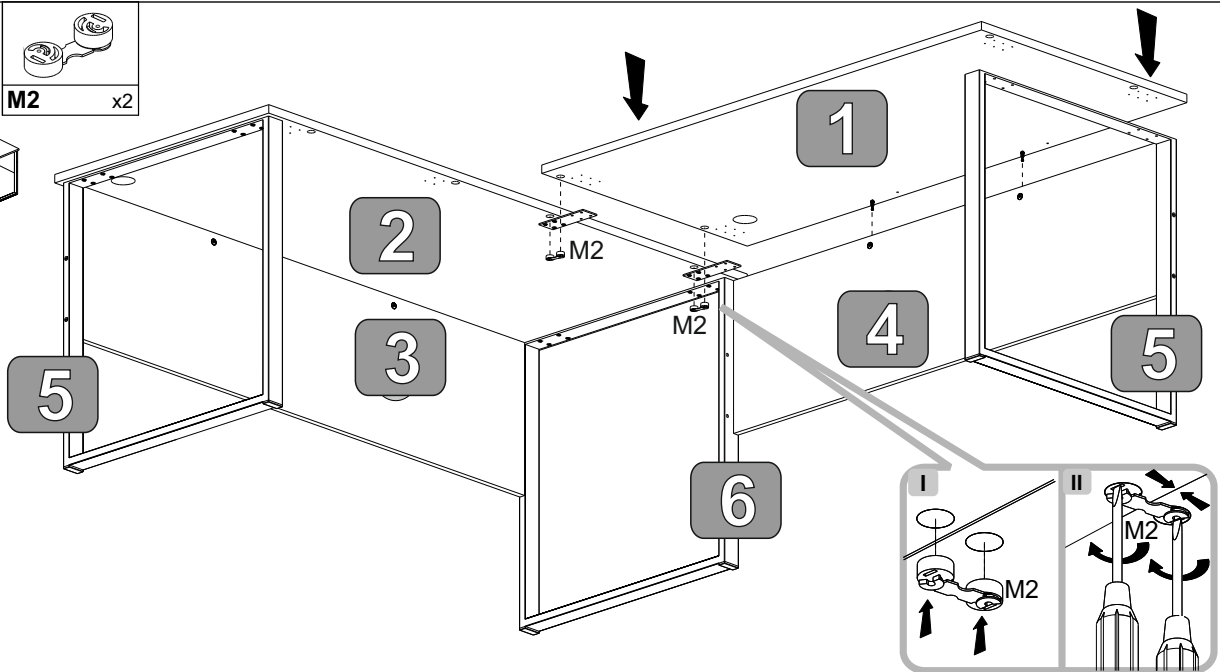
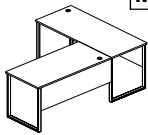
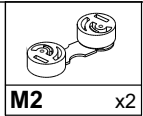
	
S3 x2	L1 x1



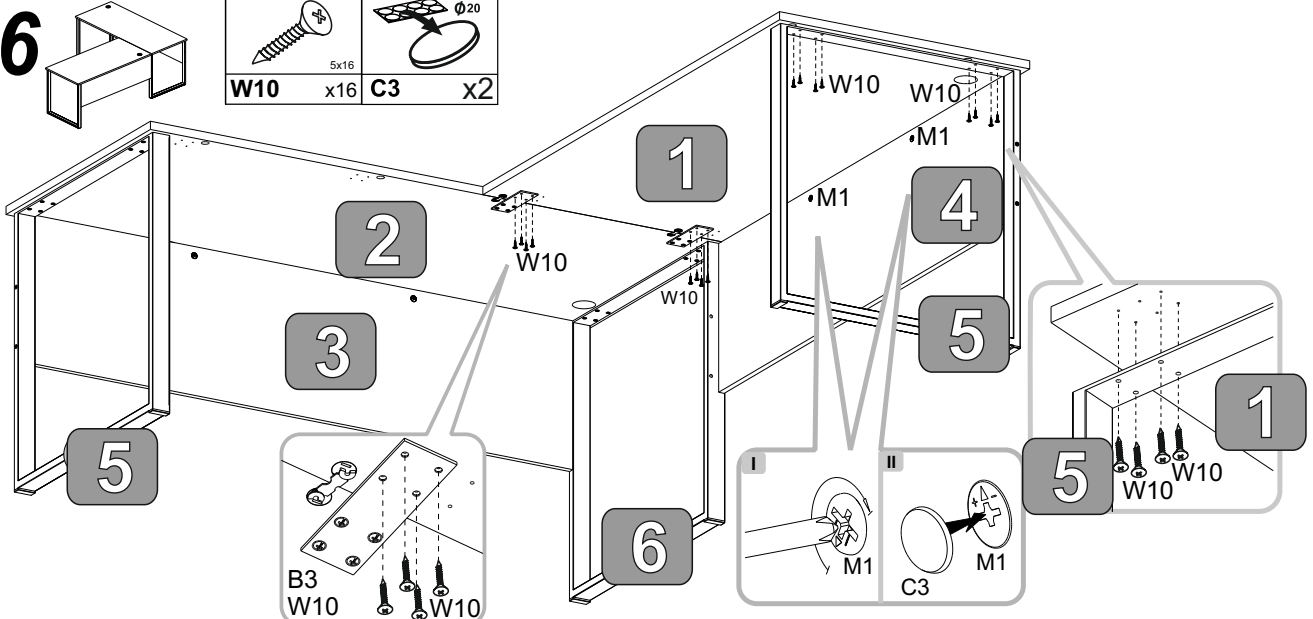
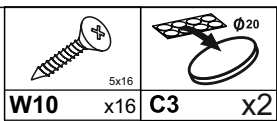
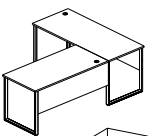
## 14



## 15



## 16





17

