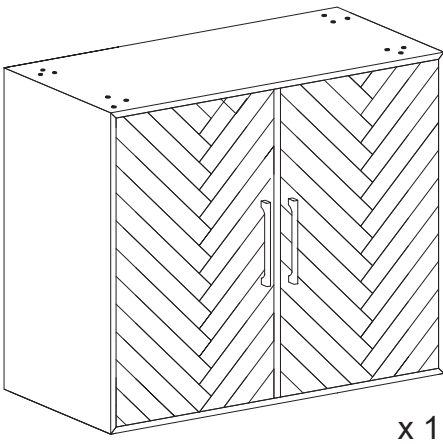
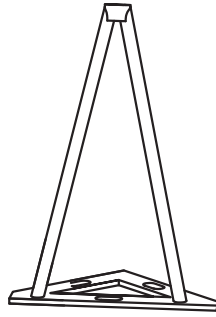


Ⓐ



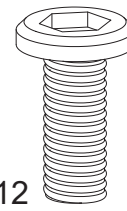
x 1

Ⓑ



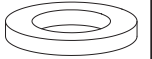
x 4

Ⓒ



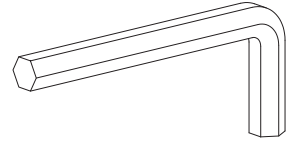
x 12

Ⓓ

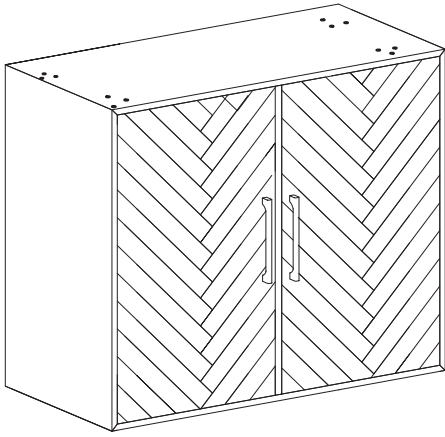


x 12

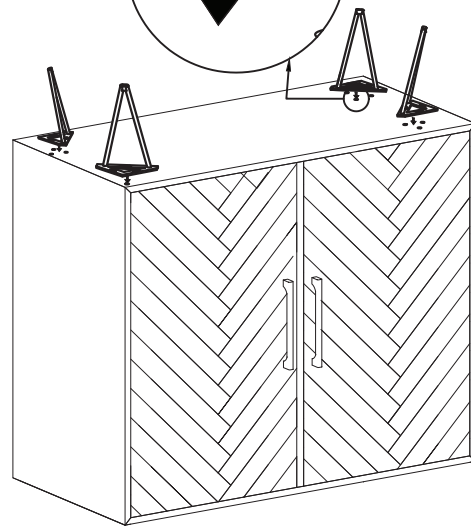
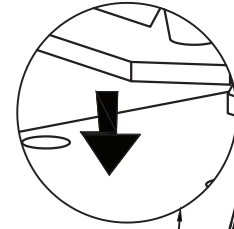
Ⓔ



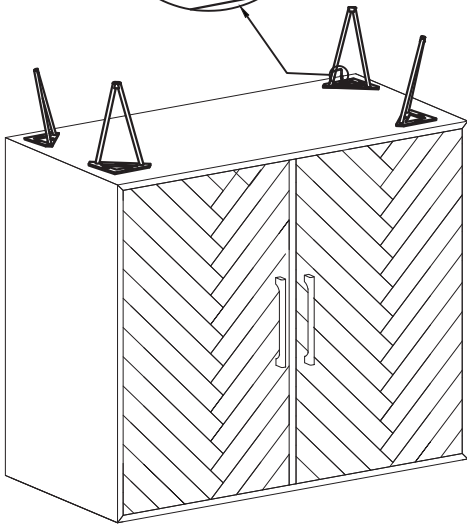
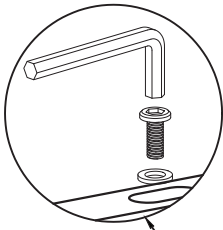
x 1



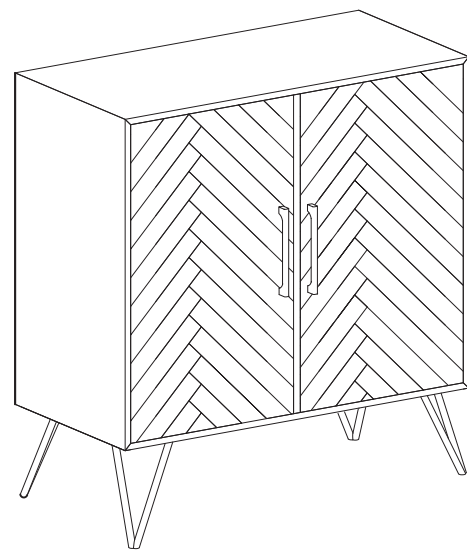
STEP-1



STEP-2



STEP-3



FINAL