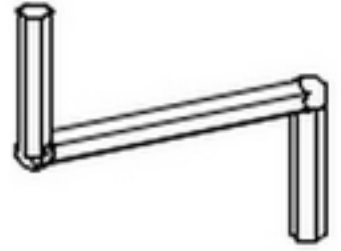




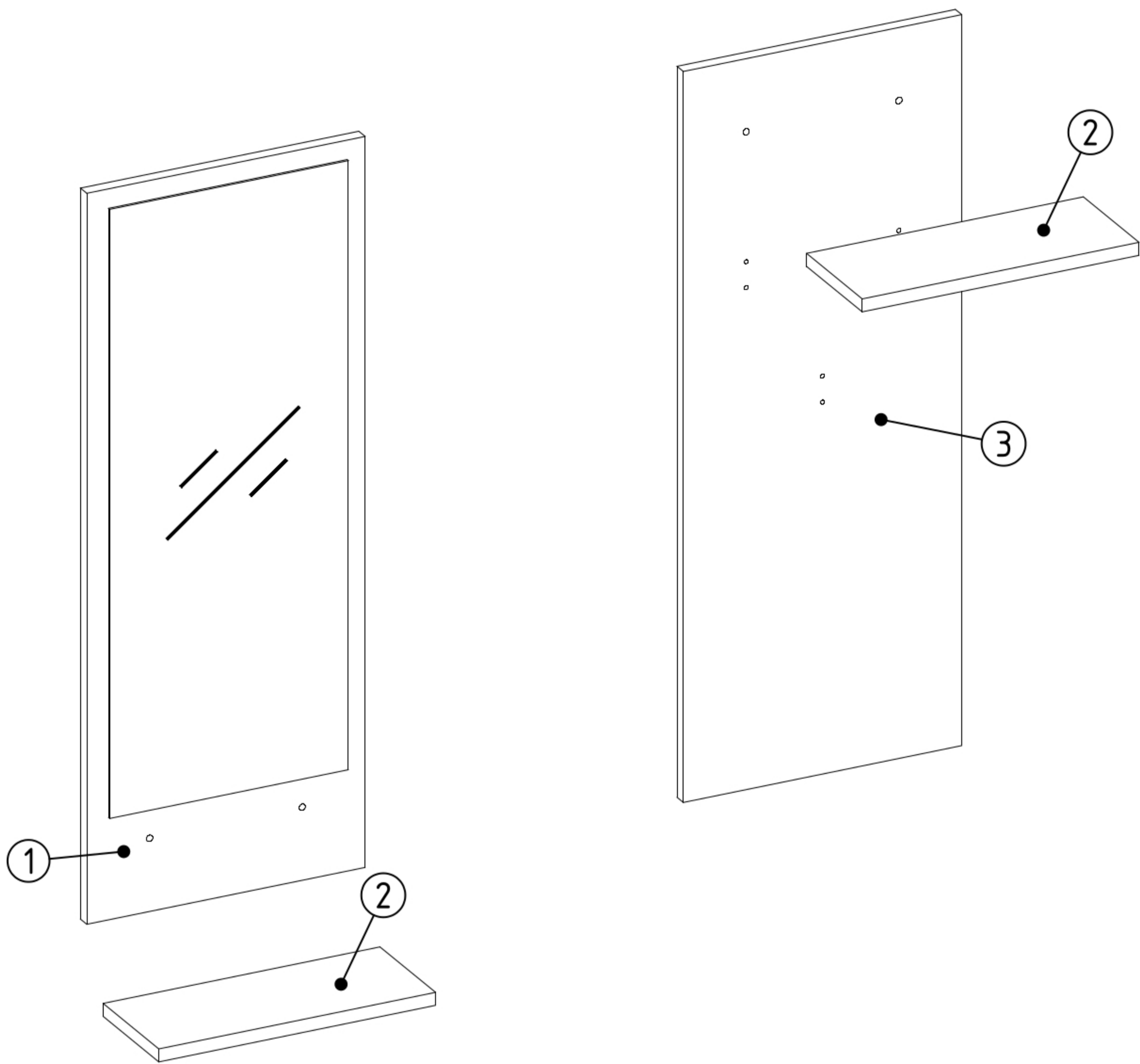

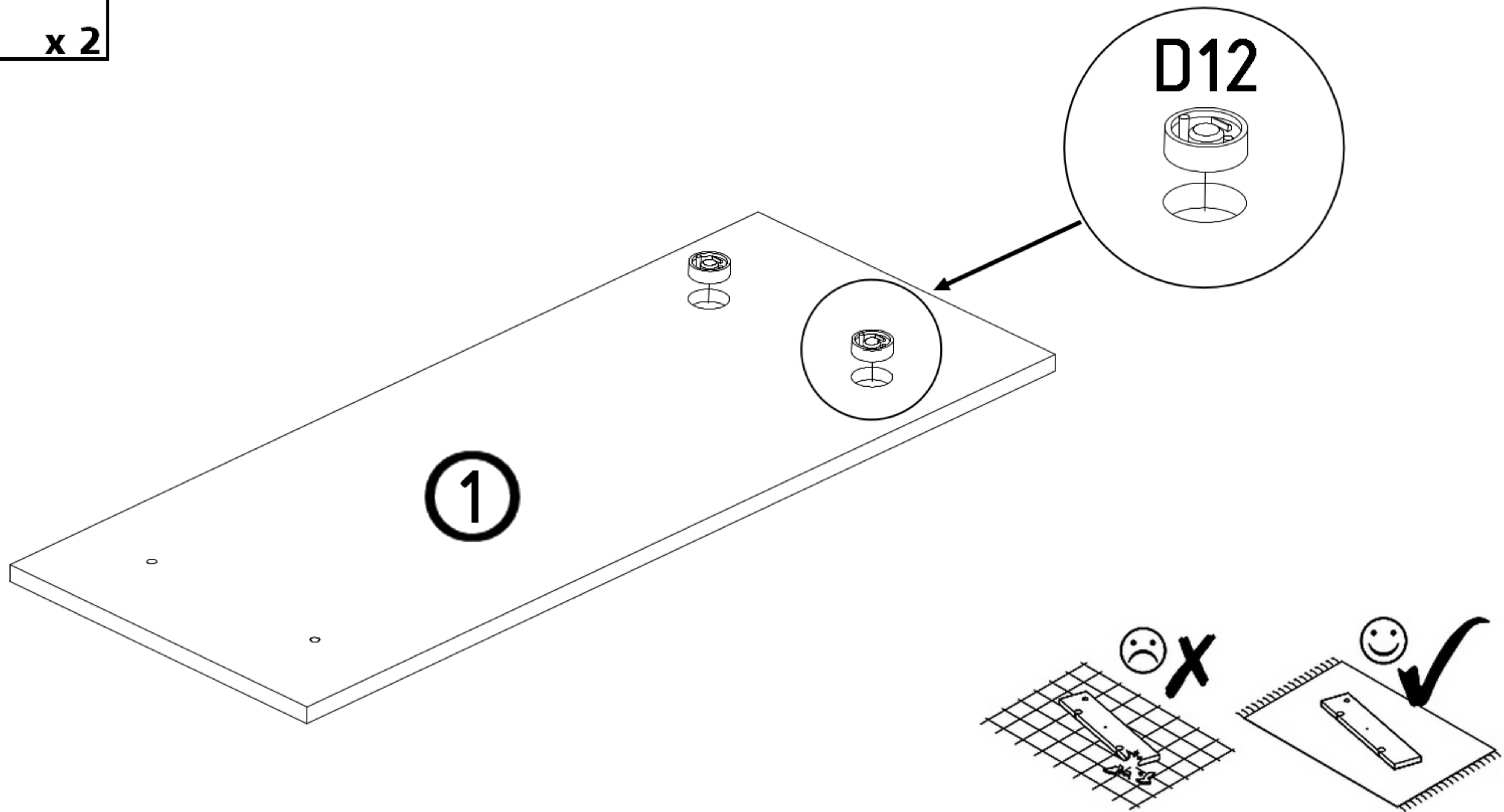


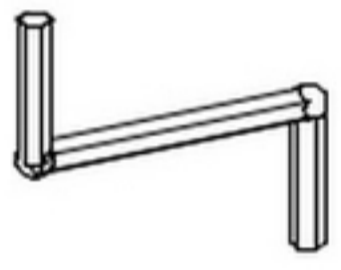
<b>K1</b>  <b>x 1</b>	<b>L7</b>  <b>x 3</b> L=75mm	<b>D12</b>  <b>x 4</b> ø34mm	<b>F3</b>  <b>x 4</b> 7x50mm	<b>S4</b>  <b>x 6</b> 4x28mm
---	--	--	---	--




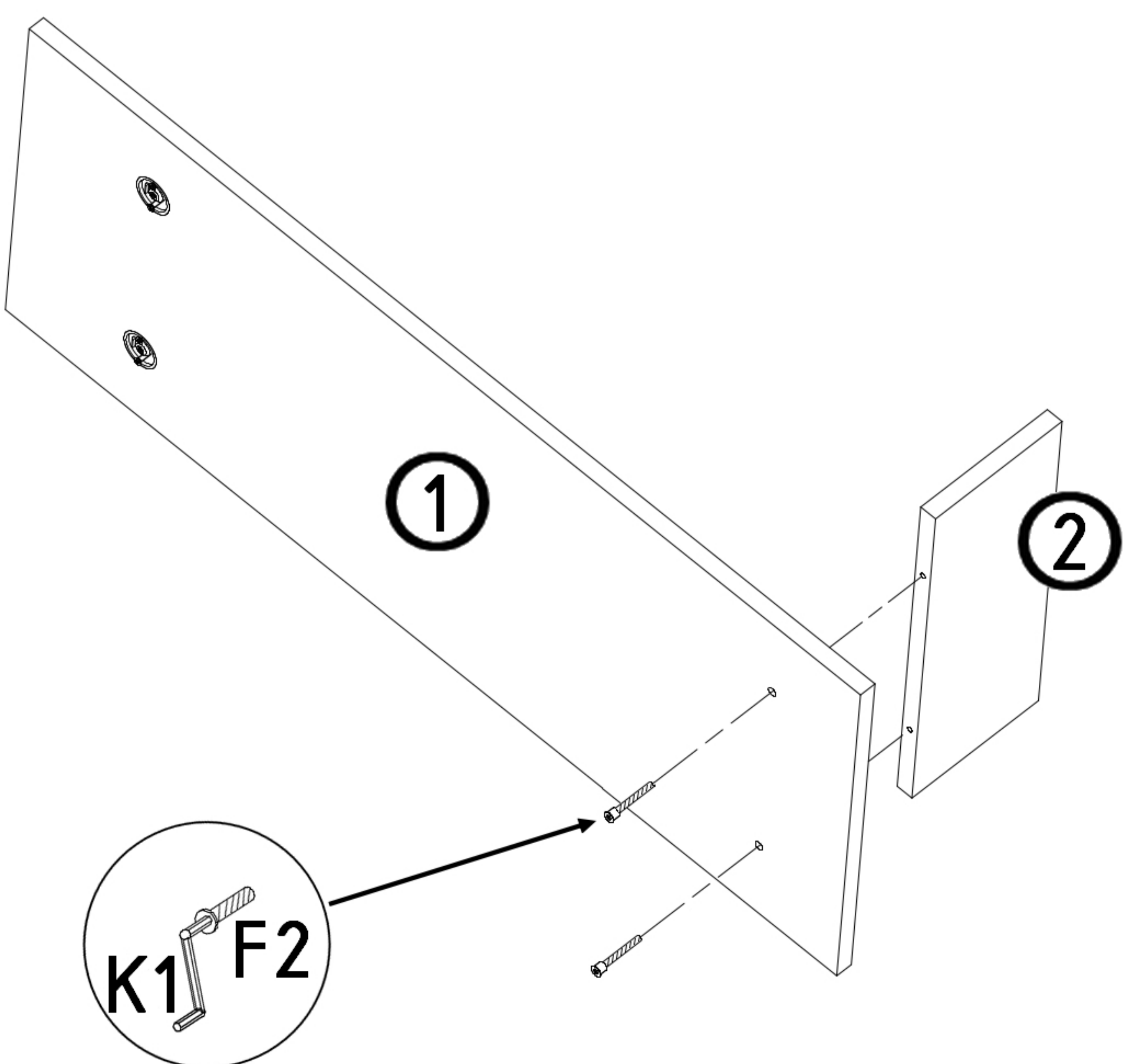
<b>1</b>	<b>x 1</b>
<b>2</b>	<b>x 2</b>
<b>3</b>	<b>x 1</b>

**D12**  
  
**x 2**




**K1**  
  
**x 1**

**F3**  
  
**x 2**

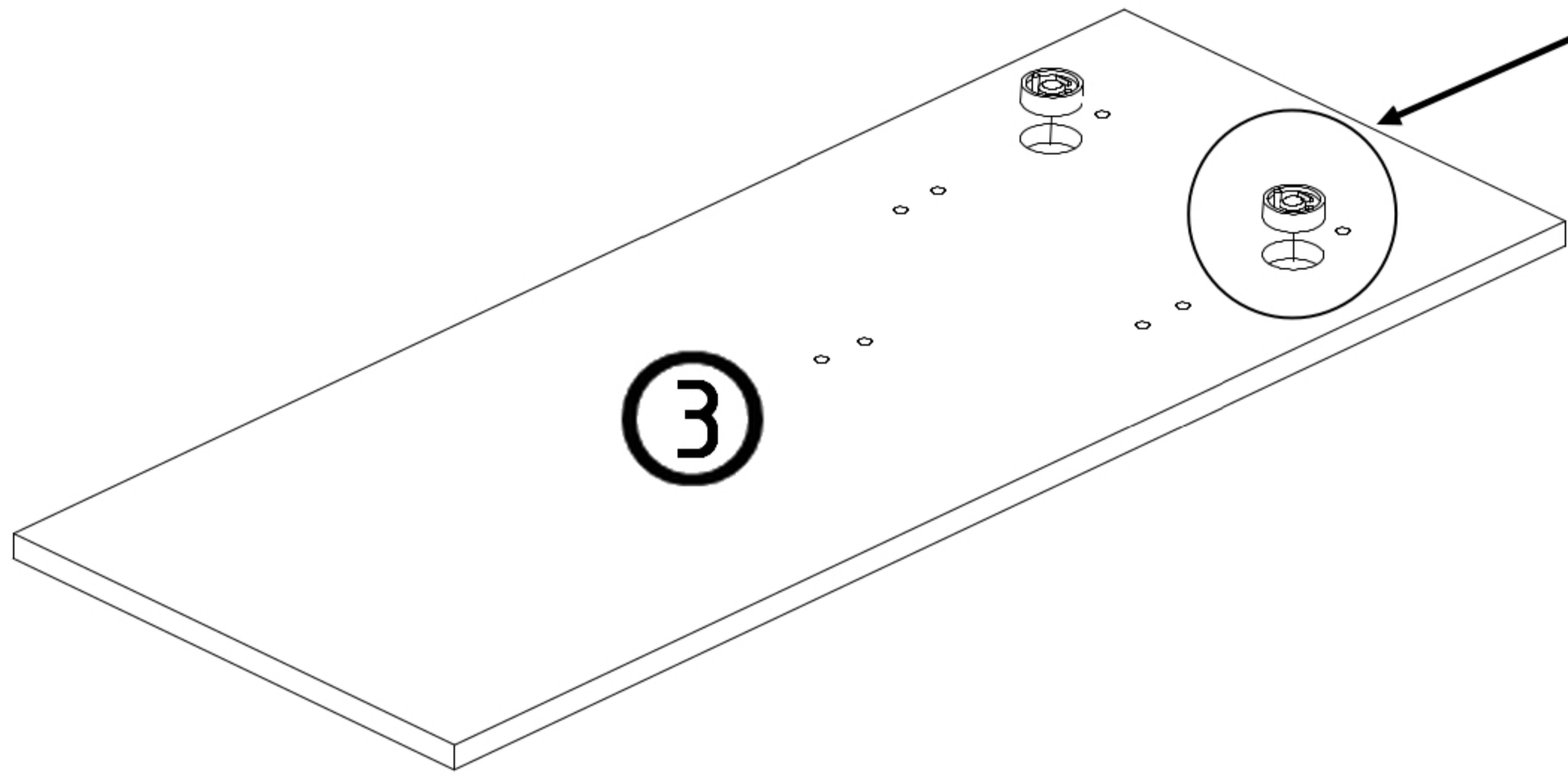
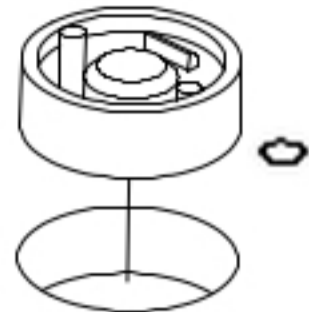


**D12**

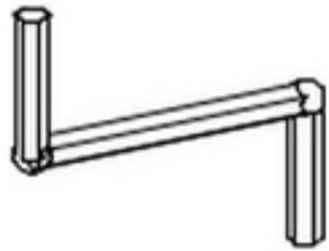


**x 2**

**D12**




**K1**




**x 1**

**F3**




**x 2**

**L7**



**x 3**

**S4**



**x 6**

