

Clean Air  
Optima®

Manual

## Clean Air Optima Air Purifier CA-502 Desktop Smart

(EN) User manual  
(DE) Gebrauchsanweisung  
(NL) Gebruiksaanwijzing  
(FR) Mode d'emploi  
(ES) Manual del usuario  
(PL) Instrukcja obsługi  
(CZ) Uživatelská příručka  
(RO) Manual de utilizare  
(LT) Naudotojo vadovas  
(EE) Kasutusjuhend  
(LV) Lietošanas pamācība

Find more languages on:  
[www.cleanairoptima.com/  
info/manuals](http://www.cleanairoptima.com/info/manuals)

(RU) Руководство  
пользователя

(MK) Прирачник  
за користење



Read these instructions carefully before you start using the Air Purifier and keep the manual for future reference

© Copyright: Clean Air Optima®



<b>Table of contents</b>	<b>Page</b>
<b>English</b>	<b>3</b>
<b>German</b>	<b>15</b>
<b>Dutch</b>	<b>27</b>
<b>French</b>	<b>39</b>
<b>Spanish</b>	<b>51</b>
<b>Polish</b>	<b>63</b>
<b>Czech</b>	<b>75</b>
<b>Romanian</b>	<b>87</b>
<b>Lithuanian</b>	<b>99</b>
<b>Estonian</b>	<b>111</b>
<b>Latvian</b>	<b>123</b>

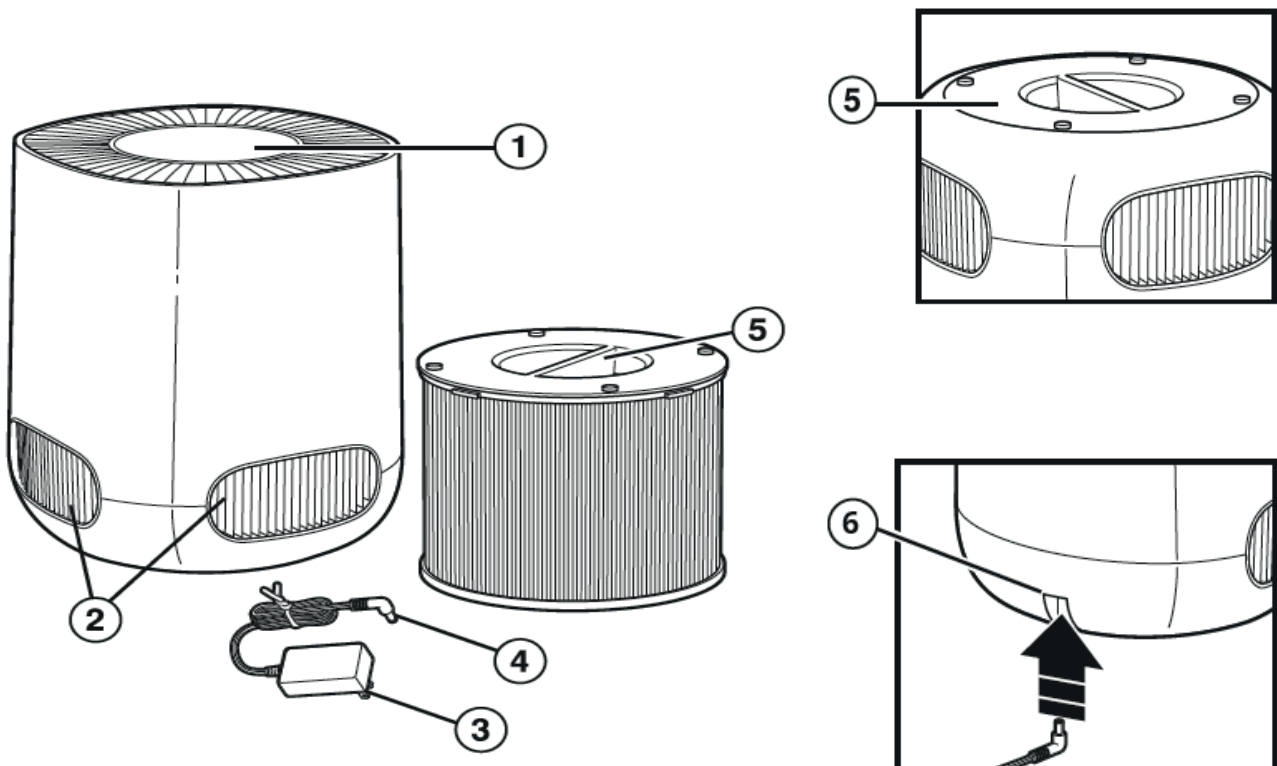
## English

**Thank you for purchasing the Clean Air Optima Air Purifier CA-502 Desktop Smart.**  
We wish you many years of healthy indoor air with this efficient and effective product.

Ensure that all safety precautions are followed when using this electrical appliance for the proper operation of the device. These instructions describe the safety precautions to be observed during operation. They are meant to prevent injuries and to avoid damaging the device.

**Before using your new Clean Air Optima Air Purifier CA-502 Desktop Smart.**  
Remove the sealing from the filters first, see page 4. How to use.

### CA-502 Desktop Smart / Description of the device



1. Control panel
2. Lighting (on 3 sides)
3. Power cord
4. Power adapter
5. True HEPA H13 filter and pré filter
6. Adapter opening

## Safety warnings

This device may only be used in accordance with this safety instructions. Take the following steps to minimize the risk of personal injury caused by for example electric shocks or fire.

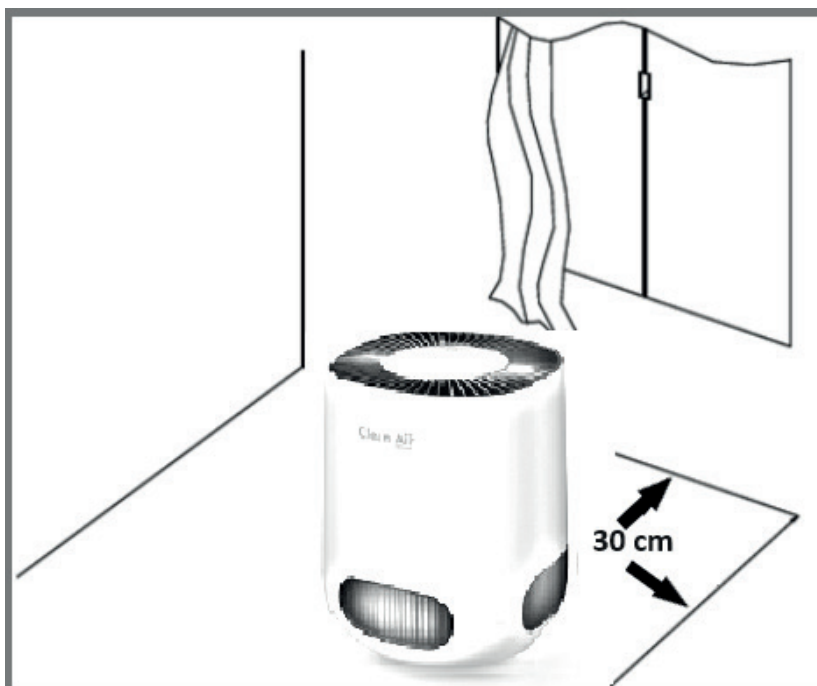
1. Only for indoor use. Do not use or store outdoors.
2. This device can be used by children aged from 8 years and above and persons with reduced physical, sensory or mental capabilities or lack of experience and knowledge if they have been given supervision or instruction concerning use of the device in a safe way and understand the hazards involved. Children shall not play with the device. Cleaning and user maintenance shall not be made by children without supervision.
3. Do not use the device when there is visible damage on the electrical cord or on the device itself. Do not repair the device yourself in case of damage. Never pull the device by its cord. If the power cord is damaged, then it must be replaced by an authorized service person to prevent electric shock or fire.
4. Repairs may only performed by authorized service personal. Do not try to repair the device yourself to prevent electric shock or fire.
5. Always remove the plug from the cord when the device is not being used.
6. Only use power power adapters and cords provided. Check if adapter voltage matches local voltage.
7. Pull the plug when you do not use the device or when you clean internal or external parts of it.
8. For safety use put the device in a steady, horizontal position. Do not move while using.
9. Do not use the device in rooms where inflammable liquids or gases are stored, close to heat sources or in particularly humid rooms like the bathroom.
10. Never insert any other object into the body to avoid breakdown.
11. Never cover the air inlet and air outlet grid.
12. Never disassemble or replace the device's inner parts.
13. When the device is running, do not touch the air inlet and outlet grilles, and do not insert the handle or any object into the air outlet to avoid injury or damage to the air purifier.
14. To keep the inlet and outlet air grille of the air purifier unimpeded, do not place objects above or near the front cover of the air purifier.
15. Do not put heavy objects on the unit.
16. Please avoid places with direct sunlight. There is a risk that the device discolors.
17. Never immerse the unit in water or other liquids.
18. Do not touch the power cord with wet hands.
19. Clean the Pre-filter regularly, if the Pre-filter is saturated with dust, it will lead to poor purifying effect. The power consumption will increase, it can cause failure.
20. The normal operating environment of the device is 10 °C to 45 °C degrees.
21. Use, maintain and clean the device as described in this manual.

## How to use

Do not use the device with the filter removed.

Insert the adapter into the adapter opening on the back of the air purifier and plug it into the wall socket. You will hear one beep and the air quality indicator light will go on and then go off.

The device needs to be positioned at least 30 cm from walls and furniture to obtain a good air flow. Make sure that the air in-and outlets are not blocked.



## Control Panel / Operation Instruction



### 1 Power Button

Pressing the Power button you turn the device on and off.  
(Default is Auto mode after turning on the device).

Air Quality Indicator Light on front of Air Purifier will illuminate different colors as PM2.5 sensor evaluates air quality. Once complete, color will reflect current air quality. See chart for air quality levels.



### 2 Speed mode

By pressing the Speed button, you can change the speed level. There are several fan speeds available. You can choose the auto mode, speed 1, 2 or 3. Touch the fan speed button repeatedly to select the mode.

In the setting **Auto** the integrated smart sensor (Intelligent Particle Sensor™) measures and regulates air quality automatically. The fan, controlled by a sensor anticipates automatically to what extent indoor air is polluted by particles size PM2.5 and adapting to the 3 different speeds accordingly.

The similarity to automatic mode is shown as follows:

If the PM2.5 value is between 0 and 35, the speed indicator light will show a 1.

If the PM2.5 value is between 36 and 55, the speed indicator light will show a 2.

If the PM2.5 value is between 56 and 999, the speed indicator light will show a 3.



### 3 Sleep

When the sleep mode is activated, the display will turn off. Only the sleep mode light is on. The fan speed goes to the lowest setting.



### 4 Child Lock

Child lock protects from unwanted use of the device.

The child lock is switched on/off by pressing and holding the sleep button for 3 seconds until a beep sounds.



**5 Anion function**

The anion function is switched on when the device starts up and switched off once the device is switched off. The anion function can be turned on/ off on the APP.



**6 Filter replacement**

The **Clean Air Optima Air Purifier CA-502 Desktop Smart** is equipped with a filter lifespan surveillance mechanism that signals that the filter have to be replaced after 1400 working hours. To show that the True Hepa H13 filter need to be replaced, the indicator



light will light up, and the device emits a double zero indicator light. Reset the timer for the filter by pressing and holding the power button for about 3 seconds. If the indicator light goes out, the timer has been successfully reset.



**7 WIFI**

WIFI indicator.

**Digital Monitor**

The digital monitor on the top of the air purifier CA-502 Desktop Smart indicates automatically and exactly current air quality by measuring the level of Particle measurement PM2.5

<b>Particle measurement (PM 2.5)</b>	<b>Air quality</b>
0-35	Green - Good
36-55	Yellow - Moderate
56-999	Red - Bad

Particulate matter of 10um (PM10) and smaller 2,5 um (PM2.5) can get into the lungs and belongs to the top 10 threats for human health. These small particles develop through typical indoor processes such as cooking, baking, frying, smoking, as well as heating or are also transported in big quantities into indoor air because of transportation, industry, construction, biological material (pollen, bacteria, mites, and viruses), imported particles from other regains such as (airplane) exhaust gases and volcano eruptions.

Allergens such as pollen and dust cause serious and long-term health threats to millions of persons each spring: the numbers are increasing constantly.

**Measurement of relative humidity and temperature**

Important aspects for effective air purification: relative humidity between 45 - 60% and room temperature of about 20 - 23 °C.

## Operation with Clean Air Optima<sup>®</sup> App

### Connectivity

#### Compatibility with smartphone and tablet:

iPhone, iPad and Android devices

#### Device connects via WiFi with App:


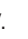
CleanAirOptima

**Attention:** The router must be set to the 2.4 GHz broad-band. If the router is set to the 5.0 GHz, it is impossible to establish a connection.

### Set up WiFi connection

1. Download and install the Clean Air Optima<sup>®</sup> App in the App Store or Google Play Store.
2. Make an account and log in.
3. Plug the device into the power socket and switch it on. After power on, long press the WiFi button for 3 seconds, the WiFi indicator light will flash quickly. The connection can be started, only when the WiFi indicator light flashes. The red circled light should flash.



4. The router must be set to the 2.4 GHz broadband. If the router is set to the 5.0 GHz, no connection can be established.
5. Make sure Bluetooth is enabled on your smartphone.
6. Make sure that your smartphone or tablet is successfully connected to your WiFi network.
7. Open the Clean Air Optima<sup>®</sup> App and click on 'Add device' . Your device is listed and you can select it. If not choose 'Auto Scan'. Follow the on-screen instructions to connect the device to your network.
8. Choose to add the Clean Air Optima<sup>®</sup> device on the App, follow the instructions in the App.
9. When the device is paired, the WiFi indicator  light stays on constantly.
10. After the configuration is successful, you can use the Clean Air Optima<sup>®</sup> App to operate the device.

#### Note:

- If your default network has changed, reset the WiFi connection, follow step 3 to 8 in the 'Set up WiFi connection' section.
- If you want to pair multiple devices to your smartphone or tablet, you have to do this one after the other.
- Make sure that the distance between your smartphone or tablet and the device is less than 5 meters and there are no obstacles. Also make sure you are in the same room as the device.





**Reset the WiFi function:**

- Reset the WiFi by pressing the 'WiFi' button for 3 seconds, the indicator light of the WiFi will blink rapidly.

**Connect devices to multiple phones**

Note: First the other person needs to install the Clean Air Optima<sup>®</sup> App on his/her phone and create a new account.

**Share the device with limited access:**

You can choose to share 1 device with several persons.

This person will then have access, but will not be able to manage all the settings.

Follow the instructions below to share the device with several persons:

1. Go to the relevant device.
2. Go to the pencil or three dots in the top right.
3. Select 'Share device.'
4. Choose 'Add sharing'.
5. Choose the sharing method e.g. via email, whatsapp, sms etc. and continue.
6. The device will automatically appear in the Clean Air Optima<sup>®</sup> App with the other account.

**Share device with full access:**

You can add a person or several persons to your home management.

That person will then have access to all your devices that are already linked and has full rights and permissions. You will always remain the main administrator.

Follow the instructions below to add someone to your home management:

1. Open the Clean Air Optima<sup>®</sup> App and go to 'Me'.
2. Then choose 'Home Management'.
3. Choose 'Create a home'.
4. Select the relevant 'Home' and 'Add member'.
5. Choose the sharing method e.g. via email, whatsapp, sms etc. and continue.
6. The corresponding 'Home' will automatically appear in the Clean Air Optima<sup>®</sup> App of the person with whom you have shared your 'Home'.
7. On the other account:  
Go to the home screen from the Clean Air Optima<sup>®</sup> App. Go to the top left and select the 'Home'.

## Maintenance

### Cleaning the outside of the air purifier

1. Switch off the device and pull the plug.
2. Use a soft and humid piece of cloth to clean the device from dust and dirt.
3. Make sure that **no water** gets into the device.

### Clean Air Optima® air purifier storage

1. Unplug the device and fold up the power supply cord.
2. Remove and clean the filters. After cleaning reinstall the filters back into the device.
3. It is recommended to wrap the Filter and the unit in a plastic bag and place in a cool, dry area. Avoid moisture as it can damage the True HEPA filter.

## Replacing of filters

The **Clean Air Optima Air Purifier CA-502 Desktop Smart** is equipped with a filter lifespan surveillance mechanism that signals that the filters have to be replaced after 1400 working hours. To show that the True Hepa H13 filter need to be replaced, the indicator light will light



up, and the device emits a double zero indicator light. Reset the timer for the filter by pressing and holding the power button for about 3 seconds. If the indicator light goes out, the timer has been successfully reset.

**Depending on the use, the True HEPA H13 filter has a lifespan of approx. 4-5 months.**

### Filter cleaning

The best effect is reached by cleaning the filters once a month. If indoor air is extremely polluted, more cleaning can be required.

Clean the **Pre-filter** and the **HEPA filter** with a brush or your vacuum cleaner. That way bigger dust particles like lint, hair and dander of pets can be removed from the filter.

**Warning!** Do never wet or rinse the filter with water.



### Signs for used up filters

Increased sound, reduced air flow, congested filters, rising presence of smells. The filter needs to be replaced by a new one when the HEPA filter changes its color from white to grey or black. If the HEPA filter remains white, there is NO need to replace the filter.

### How to order filters:

Contact Clean Air Optima Customer Service tel. + 31 (0) 742670145 or visit our webshop: <https://www.cleanairoptima.com/-accessoires>

## Troubleshooting

The following is a troubleshooting guide to help you solve any issues that you may have using the **Clean Air Optima Air Purifier CA-502 Desktop Smart**.

Problem	Possible Cause	Solution
Device does not switch on.	The power cord does not connect correctly. The power cord is broken. The filter is not installed correctly.	Connect the power plug and power socket correctly. Replace the power cord. Install the filter correctly. See chapter: How to use.
The air outlet smells foul.	The filter traps too much odor or dust. The lifetime of the filters has expired.	Replace the composite filters. Replace the composite filters.
Poor purification effect.	Check if the humidity in the room is too dry. The device is placed in an unventilated room or surrounded by obstacles.	Increase the humidity. Remove the obstacles.
No air is blowing out of the device.	The airinlet or airoutlet is being blocked.	Remove the obstacles.
<b>Operation with Clean Air Optima® App</b> does not work.	Smartphone or tablet is not connected to WiFi network. The device has no connection to the network.	Turn on the device and reset the WiFi on the device by pressing the WiFi button for 3 seconds, the indicator light of the WiFi will blink. Then follow step 3 to 10 from chapter <b>Operation with Clean Air Optima® App</b> .
Code E0 is shown on the display.	PM2.5 Sensor not working.	Switch off the device and pull the plug from the socket. Connect the plug to the socket and switch the device on again.
Code FFF is shown on the display.	Motor is blocked or stopped.	Switch off the device and pull the plug from the socket. Connect the plug to the socket and switch the device on again.
Code EEE is shown on the display.	PM2.5 Sensor and motor not working.	Switch off the device and pull the plug from the socket. Connect the plug to the socket and switch the device on again.

### WARNING!

If the above recommended solutions do not work, please contact Clean Air Optima technical support at the telephone number for your region. Do not attempt to disassemble, reassemble, or repair the device as this may void the warranty.

## Specifications

Model	CA-502 Desktop Smart
For rooms up to	20m <sup>2</sup> / 50m <sup>3</sup> / 215ft <sup>2</sup>
Adapter rated voltage	Input: 100V - 240V~, 50/ 60Hz, 0.4A or 1.0A Output: 12V $\overline{=}$ , 1.5A
Device rated power	10W, 12V $\overline{=}$
Fan capacity (CADR)	110 m <sup>3</sup> /h
Filter performance	99,97%
Sound level	10dB(A) Silent Sleepmode/ 15dB(A) Low 1/ 25dB(A) Middle 2/ 50dB(A) High 3
Dimensions	190 x 190 x 235mm
Weight	1.5kg
Colour	Light gray/ white
Complies with EU regulations	CE / WEEE / RoHS

**Ask your retailer or your municipality for updated information regarding the disposal of the packaging and of the device.**



## Service

### Warranty Certificate for the Clean Air Optima Air Purifier CA-502 Desktop Smart.

Date of purchase: .....  
Customers name: .....  
Address: .....  
Telephone: .....  
Email: .....  
Seller's name: .....  
Address: .....

1. Please fill in completely this Warranty Certificate. Send it with the invoice and the unit, postage pre-paid and using the original packing box, to your distributor. Make sure to include the appropriate return postage for the package.
2. Please enclose a short description of the damage, fault or malfunction, and the circumstances under which these problems arose.

The **Clean Air Optima Air Purifier CA-502 Desktop Smart** is subjected to strict testing procedures before leaving the factory. If within 2 years from the date of purchase the product does not perform according to the specifications, because of factory defects, the purchaser is entitled to free repairs or replacement of parts upon presentation of this warranty (provided that the malfunction or damage to the device and/or parts occurred under normal operating conditions). What is covered: All parts defective in material and workmanship. For how long: two years from purchase date. What we will do: Repair or replace any defective parts. Exclusions: Regular replacement filters.

#### Other Conditions

The provisions of this warranty are in lieu of any other written warranty whether express or implied, written or oral, including any warranty of merchantability or fitness for a particular purpose. The manufacturer's maximum liability shall not exceed the actual purchase price paid by you for the product. In no event shall the manufacturer be liable for special, incidental, consequential, or indirect damages. This warranty does not cover a defect that has resulted from improper or unreasonable use or maintenance, faulty assembly, accident, natural catastrophes, improper packing, or unauthorized tampering, alteration, or modification as determined solely by us. This warranty is void if the label bearing the serial number has been removed or defaced.

# Thank you for reading!



Share your feedback about the Clean Air Optima Air Purifier CA-502 Desktop Smart on:  
[www.cleanairoptima.com](http://www.cleanairoptima.com)



For frequently asked questions about the CA-502 Desktop Smart go to:  
[www.cleanairoptima.com](http://www.cleanairoptima.com) and search for the CA-502 Desktop Smart.



Download PDF instruction manual on:  
[www.cleanairoptima.com/info/manuals](http://www.cleanairoptima.com/info/manuals)



Watch all Clean Air Optima Product animation video's on:  
[www.youtube.com](http://www.youtube.com)

**Clean Air Optima International B.V.** | David Ricardostraat 9-7 / 9-9 | 7559 SH Hengelo (ov)  
The Netherlands | Phone: +31 (0) 74 - 2670145

**Clean Air Optima Germany GmbH** | Enschedestraße 14 | 48529 Nordhorn | Germany  
Phone: +49 (0) 5921 879-121

**E-mail:** [info@cleanairoptima.com](mailto:info@cleanairoptima.com)

**Internet:** [www.cleanairoptima.com](http://www.cleanairoptima.com)

## Deutsch

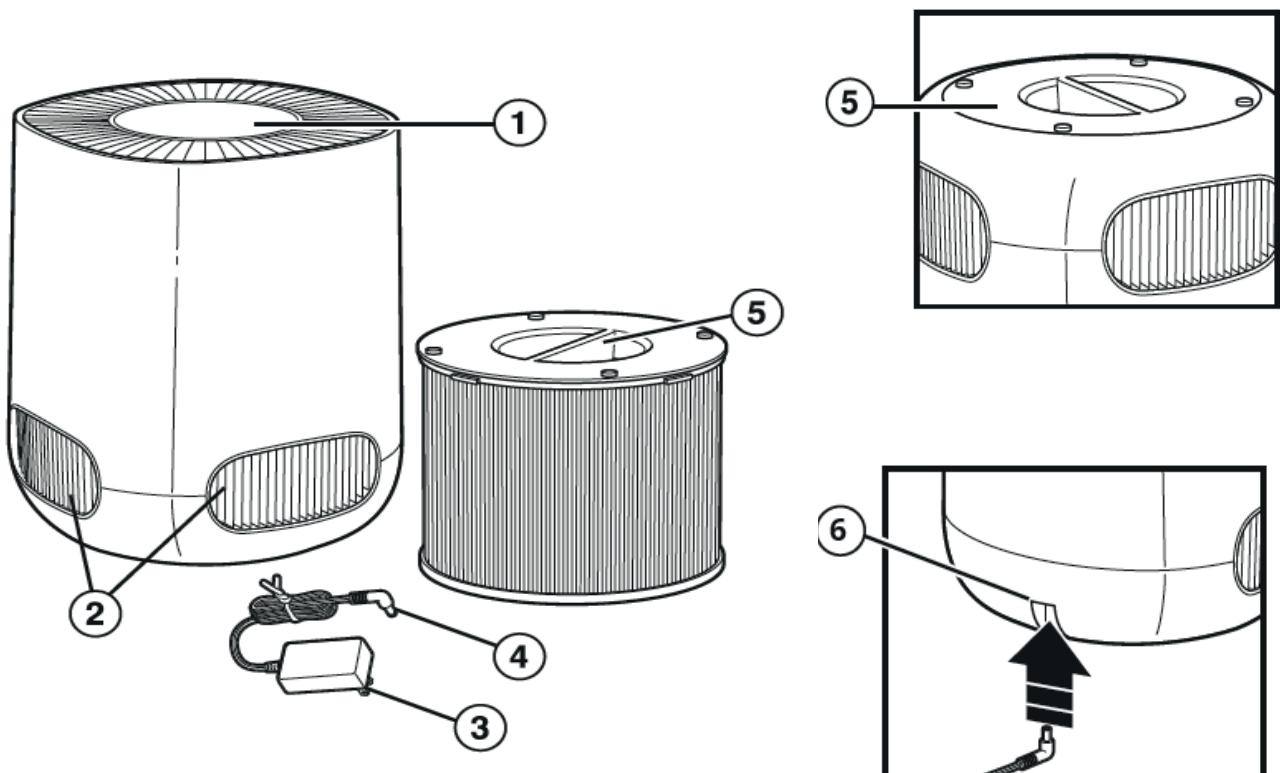
**Vielen Dank, dass Sie sich für den Luftreiniger CA-502 Desktop Smart entschieden haben.**

Wir wünschen Ihnen viele Jahre gesunde Raumluft mit diesem effizienten und effektiven Produkt.

Treffen Sie für die ordnungsgemäße Funktion dieses elektrischen Geräts unbedingt alle Sicherheitsvorkehrungen, wenn das Gerät verwenden. Diese Anleitung beschreibt die Sicherheitsvorkehrungen, die im Betrieb zu beachten sind. Sie sind dafür vorgesehen, Verletzungen vorzubeugen und Beschädigungen am Gerät zu vermeiden.

**Vor Verwendung Ihres neuen Luftreinigers Clean Air Optima CA-502 Desktop Smart.** Entfernen Sie zuerst die Versiegelung von den Filtern (siehe Seite 16). Verwendung.

### CA-502 Desktop Smart / Beschreibung des Geräts



1. Bedienfeld
2. Beleuchtung (auf 3 Seiten)
3. Netzkabel
4. Stromadapter
5. Echter HEPA-H13-Filter und Pré-Filter
6. Adapteröffnung

## Sicherheitshinweise

Dieses Gerät darf nur in Übereinstimmung mit diesen Sicherheitshinweisen verwendet werden. Führen Sie die folgenden Schritte aus, um das Verletzungsrisiko für Personen (z.B. durch Stromschläge oder Feuer) zu minimieren.

1. Nur für Innenräume geeignet. Nicht im Freien verwenden oder lagern.
2. Dieses Gerät kann von Kindern ab 8 Jahren und darüber sowie von Personen mit eingeschränkten körperlichen, sensorischen oder geistigen Fähigkeiten oder Mangel an Erfahrung und Wissen verwendet werden, wenn sie beaufsichtigt oder in die sichere Verwendung des Geräts eingewiesen wurden und die Gefahren verstehen beteiligt. Kinder dürfen nicht mit dem Gerät spielen. Reinigung und Benutzerwartung dürfen nicht von Kindern ohne Aufsicht durchgeführt werden.
3. Verwenden Sie das Gerät nicht, wenn sichtbare Schäden am Netzkabel oder am Gerät selbst vorhanden sind. Reparieren Sie das Gerät nicht selbst, wenn es beschädigt ist. Ziehen Sie das Gerät niemals an seinem Kabel. Wenn das Netzkabel beschädigt ist, muss es von einem befugten Servicemitarbeiter ausgetauscht werden, um Stromschlag oder Feuer zu vorbeugen.
4. Reparaturen dürfen nur von befugtem Servicepersonal durchgeführt werden. Nicht versuchen, das Gerät selbst zu reparieren, um Stromschlägen oder Feuer zu vorbeugen.
5. Immer den Stecker am Kabel abziehen, wenn das Gerät nicht benutzt wird.
6. Überprüfen Sie nur die mitgelieferten Netzadapter und -kabel. Überprüfen Sie, ob die Adapterspannung mit der örtlichen Spannung übereinstimmt.
7. Den Netzstecker aus der Steckdose ziehen, wenn Sie das Gerät nicht benutzen oder wenn Sie innere oder äußere Teile des Geräts reinigen.
8. Zur Sicherheit das Gerät in eine stabile, horizontale Position stellen. Beim Gebrauch nicht bewegen.
9. Verwenden Sie das Gerät nicht in Räumen, in denen brennbare Flüssigkeiten oder Gase aufbewahrt werden, in der Nähe von Wärmequellen oder in besonders feuchten Räumen wie dem Badezimmer.
10. Nie andere Gegenstände in das Gehäuse einführen, um Ausfällen zu vorbeugen.
11. Nie den Lufteinlass- und das Luftauslassgitter abdecken.
12. Nie die inneren Teile des Geräts zerlegen oder ersetzen.
13. Berühren Sie bei laufendem Gerät nicht die Luftein- und -auslassgitter. Stecken Sie weder den Griff noch einen anderen Gegenstand in den Luftauslass, um Verletzungen oder Schäden am Luftreiniger zu vermeiden.
14. Um das Luftein- und -auslassgitter des Luftreinigers frei zu halten, dürfen keine Gegenstände über oder in der Nähe der Frontabdeckung des Luftreinigers platziert werden.
15. Keine schweren Gegenstände auf das Gerät stellen.
16. Bitte Orte mit direktem Sonnenlicht vermeiden. Es besteht die Gefahr, dass sich das Gerät verfärbt.
17. Nie das Gerät in Wasser oder andere Flüssigkeiten eintauchen.
18. Berühren Sie das Netzkabel nicht mit nassen Händen.
19. Reinigen Sie den Vorfilter regelmäßig. Wenn der Vorfilter mit Staub gesättigt ist, führt es zu einer schlechten Reinigungswirkung. Die Leistungsaufnahme steigt, es kann zu Ausfällen führen.
20. Die normale Betriebsumgebung des Gerätes ist 10 °C bis 45 °C.
21. Verwenden, warten und reinigen Sie das Gerät wie in dieser Anleitung beschrieben.

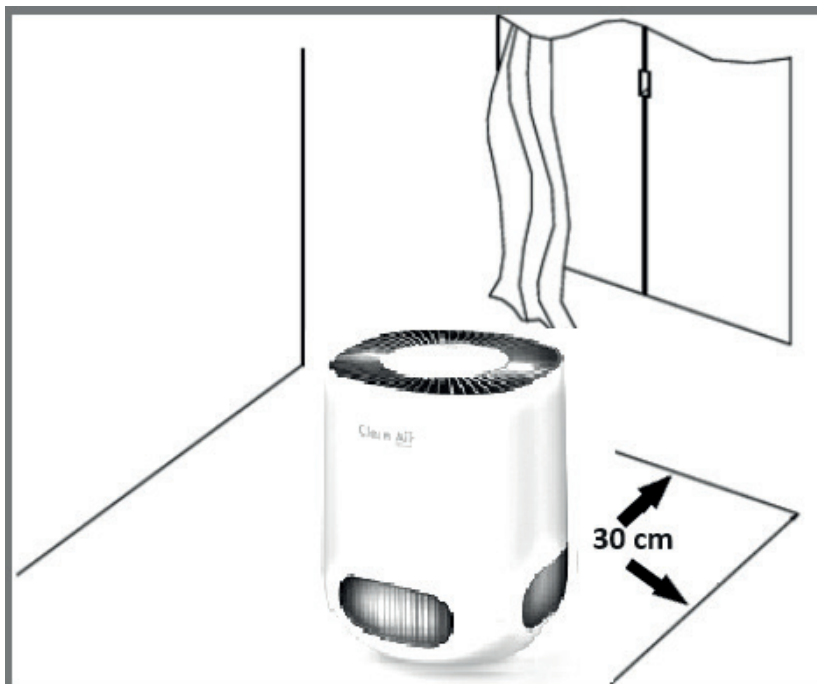


## Gebrauchsanweisung

Verwenden Sie das Gerät nicht ohne Filter.

Stecken Sie den Adapter in die Adapteröffnung auf der Rückseite des Luftreinigers und stecken Sie ihn in die Steckdose. Sie hören einen Piepton und die Luftqualitätsanzeigeleuchte geht an und dann wieder aus.

Das Gerät muss mindestens 30 cm von Wänden und Möbeln entfernt aufgestellt werden, um einen guten Luftstrom zu erhalten. Achten Sie darauf, dass die Luftein- und -auslässe nicht blockiert sind.



## Bedienfeld / Bedienungsanleitung



### 1 Ein/Aus

Durch Drücken auf die Taste „Ein/Aus“ schalten Sie das Gerät ein und aus. (Standard nach dem Einschalten des Geräts ist der Auto-Modus).

Die Luftqualitätsanzeigeleuchte an der Vorderseite des Luftreinigers leuchtet in verschiedenen Farben, während der PM2,5-Sensor die Luftqualität bewertet. Sobald der Vorgang abgeschlossen ist, spiegelt die Farbe die aktuelle Luftqualität wider. Die Luftqualitätswerte finden Sie in der Tabelle.



### 2 Drehzahl

Durch Drücken der Taste „Speed“ können Sie die Geschwindigkeitsstufe ändern.

Es gibt verschiedene Lüftergeschwindigkeiten zur Verfügung. Sie können den automatischen Modus, Geschwindigkeit 1, 2 oder 3 wählen. Berühren Sie wiederholt die Taste für die Lüftergeschwindigkeit, um den Modus auszuwählen.

In der Einstellung **Auto** misst und regelt der integrierte intelligente Sensor (Intelligent Particle Sensor™) die Luftqualität automatisch. Der sensorgesteuerte Ventilator antizipiert automatisch, inwieweit die Raumluft durch Partikelgröße PM2,5 belastet ist und passt die 3 verschiedenen Drehzahlen daran an.

Die Übereinstimmung mit dem Automatikbetrieb stellt sich wie folgt dar:

Wenn der PM2,5-Wert zwischen 0 und 35 liegt, zeigt die Geschwindigkeitsanzeige eine 1 an.

Wenn der PM2,5-Wert zwischen 36 und 55 liegt, zeigt die Geschwindigkeitsanzeige eine 2 an.

Wenn der PM2,5-Wert zwischen 56 und 999 liegt, zeigt die Geschwindigkeitsanzeige eine 3 an.



### 3 Schlafmodus

Wenn der Schlafmodus aktiviert ist, schaltet sich die Anzeige aus. Nur die Schlafmodusleuchte leuchtet. Die Lüftergeschwindigkeit geht auf die niedrigste Stufe.



### 4 Kindersicherung

Die Kindersicherung schützt vor unbefugter Benutzung des Gerätes.

Die Kindersicherung wird ein-/ausgeschaltet, indem Sie die Schlafmodus Taste 3 Sekunden gedrückt halten, bis ein Signalton ertönt.



## 5 Anionen-Funktion

Die Anionen-Funktion wird beim Einschalten des Geräts aktiviert und beim Ausschalten des Geräts wieder ausgeschaltet. Die Anionen-Funktion kann in der APP ein-/ ausgeschaltet werden.



## 6 Filterwechsel

Der **Luftreiniger Clean Air Optima CA-502 Desktop Smart** ist mit einem Mechanismus zur Überwachung der Filterlebensdauer ausgestattet, der signalisiert, dass die Filter nach 1400 Betriebsstunden ausgetauscht werden müssen. Um anzuzeigen, dass die HEPA-H13-Filter ausgetauscht werden müssen, leuchtet die Kontrollleuchte auf und das



Gerät sendet eine doppelte Null-Kontrollleuchte aus. Setzen Sie den Timer für den Filter zurück, indem Sie die Ein/ Aus-Taste etwa 3 Sekunden lang gedrückt halten. Wenn die Kontrollleuchte erlischt, wurde der Timer erfolgreich zurückgesetzt.



## 7 WiFi

WiFi Anzeige.

## Digitaler Monitor

Der digitale Monitor an der Oberseite des Luftreinigers CA-502 Desktop Smart zeigt die aktuelle Luftqualität automatisch exakt an, indem er den Wert der Partikelmessung PM2,5 im Raum misst.

Particle measurement (PM 2.5)	Air quality
0-35	Green - Good
36-55	Yellow - Moderate
56-999	Red - Bad

Partikel mit 10 µm (PM10) Größe (und kleiner) bzw. 2,5 µm (PM2,5) können in die Lunge gelangen und gehören zu den 10 größten Gefahren für die menschliche Gesundheit. Diese kleinen Partikel entstehen durch typische Tätigkeiten in Innenräumen (wie Kochen, Backen, Braten, Frittieren, Rauchen sowie Heizen) oder werden aufgrund von Verkehr, Industrie, Bauwesen, biologischem Material (Pollen, Bakterien, Milben und Viren) oder importierten Partikeln aus anderen Quellen wie (Flugzeug-)Abgasen und Vulkanausbrüchen großen Mengen in die Raumluft transportiert.

Von Allergenen (wie Pollen und Staub) geht im Frühjahr eine schwere und langfristige Gesundheitsgefahr für Millionen Menschen aus: Die Zahl steigt ständig.

## Messung von relativer Luftfeuchtigkeit und Temperatur

Wichtige Aspekte für eine effektive Luftreinigung: relative Luftfeuchtigkeit 45 – 60 % und Raumtemperatur ca. 20 – 23 °C.

## Betrieb mit Clean Air Optima<sup>®</sup> App

### Konnektivität

#### Kompatibilität mit Smartphone und Tablet:

iPhone, iPad und Android-Geräte

#### Das Gerät verbindet sich über WiFi mit der App:



CleanAirOptima

**Achtung:** Der Router muss auf das 2,4-GHz-Breitband eingestellt sein. Wenn der Router auf 5,0 GHz eingestellt ist, kann keine Verbindung hergestellt werden.

### WiFi-Verbindung einrichten

1. Laden Sie die App „CleanAirOptima“ im App Store oder Google Play Store herunter und installieren Sie sie.
2. Erstellen Sie ein Konto und melden Sie sich an.
3. Stecken Sie den Stecker des Geräts in die Steckdose und schalten Sie das Gerät ein. Drücken Sie nach dem Einschalten 3 Sekunden lang die WiFi-Taste. Die WiFi-Anzeigelampe blinkt schnell. Die Verbindung kann nur gestartet werden, wenn die WiFi-Anzeigelampe blinkt. Das rot umrandete Licht sollte blinken.



4. Der Router muss auf das 2,4-GHz-Breitband eingestellt sein. Wenn der Router auf 5,0 GHz eingestellt ist, kann keine Verbindung hergestellt werden.
5. Stellen Sie sicher, dass Bluetooth auf Ihrem Smartphone aktiviert ist.
6. Stellen Sie sicher, dass Ihr Smartphone oder Tablet mit Ihrem WiFi-Netzwerk verbunden ist.
7. Öffnen Sie die App „CleanAirOptima“ und klicken Sie auf „Gerät hinzufügen“ . Ihr Gerät wird aufgelistet und Sie können es auswählen. Wenn nicht, wählen Sie „Automatische Suche“. Befolgen Sie die Anweisungen auf dem Bildschirm, um das Gerät mit Ihrem Netzwerk zu verbinden.
8. Fügen Sie das Clean Air Optima<sup>®</sup>-Gerät zur App hinzu und folgen Sie den Anweisungen in der App.
9. Wenn das Gerät verbunden ist, leuchtet die WiFi-Anzeige  dauerhaft.
10. Nach erfolgreicher Konfiguration können Sie die Clean Air Optima<sup>®</sup> App verwenden, um das Gerät zu bedienen.

### Hinweis:

- Wenn sich Ihr Standardnetzwerk geändert hat, setzen Sie die WiFi-Verbindung zurück, indem Sie die Schritte 3 bis 8 des Kapitels „WiFi-Verbindung einrichten“ ausführen.
- Wenn Sie mehrere Geräte mit Ihrem Smartphone oder Tablet verbinden möchten, müssen Sie dies nacheinander tun.
- Stellen Sie sicher, dass der Abstand zwischen Ihrem Smartphone oder Tablet und dem Gerät weniger als fünf Meter beträgt und keine Hindernisse vorhanden sind. Stellen Sie außerdem sicher, dass Sie sich im selben Raum wie das Gerät befinden.



## **Setzen Sie die WIFI-Funktion zurück:**

- Setzen Sie das WiFi zurück, indem Sie die Taste „WiFi“ 3 Sekunden lang gedrückt halten; die WiFi-Anzeige blinkt schnell.

## **Geräte mit mehreren Telefonen verbinden**

Hinweis: Zuerst muss die andere Person die Clean Air Optima<sup>®</sup> App auf ihrem Telefon installieren und ein neues Konto erstellen.

### **Geben Sie das Gerät mit eingeschränktem Zugriff frei:**

Sie können ein Gerät mit mehreren Personen teilen.

Diese Person hat dann Zugriff, kann aber nicht alle Einstellungen verwalten.

Beachten Sie die folgende Anleitung, um das Gerät mit mehreren Personen zu teilen:

1. Rufen Sie das entsprechende Gerät auf.
2. Gehen Sie auf den Stift oder die drei Punkte oben rechts.
3. Wählen Sie „Share device“.
4. Wählen Sie „Add sharing“.
5. Wählen Sie die Freigabemethode, z. B. per E-Mail, Whatsapp, SMS usw., und fahren Sie fort.
6. Das Gerät wird in der Clean Air Optima<sup>®</sup> App automatisch mit dem anderen Konto angezeigt.

### **Gemeinsames Gerät mit vollem Zugriff:**

Sie können eine Person oder mehrere Personen zu Ihrer Hausverwaltung hinzufügen.

Diese Person erhält dann Zugriff auf alle Ihre bereits verknüpften Geräte und verfügt über alle Rechte und Berechtigungen. Sie werden immer der verantwortliche Administrator bleiben.

Beachten Sie die folgenden Schritte, um jemanden zu Ihrer Hausverwaltung hinzuzufügen:

1. Öffnen Sie die Clean Air Optima<sup>®</sup> App und gehen Sie auf „Me“.
2. Wählen Sie „Home Management“.
3. Wählen Sie „Create a home“.
4. Wählen Sie das entsprechende „Home“ und „Add member“.
5. Wählen Sie die Freigabemethode, z. B. per E-Mail, Whatsapp, SMS usw., und fahren Sie fort.
6. Das entsprechende „Home“ erscheint automatisch in der Clean Air Optima<sup>®</sup> App der Person, mit der Sie Ihr „Home“ geteilt haben.
7. Auf dem anderen Konto:  
Rufen Sie den Startbildschirm der Clean Air Optima<sup>®</sup> App auf. Gehen Sie nach oben links und wählen Sie das entsprechende „Home“.

## Wartung

### Reinigung der Außenseite des Luftreinigers

1. Schalten Sie das Gerät aus und ziehen Sie den Netzstecker aus der Steckdose.
2. Reinigen Sie das Gerät mit einem feuchten, weichen Tuch von Staub und Schmutz.
3. Stellen Sie sicher, dass **kein Wasser** in das Gerät gelangt.

### Lagerung des Clean Air Optima® Luftreinigers

1. Ziehen Sie den Netzstecker ab und wickeln Sie das Netzkabel auf.
2. Entfernen und reinigen Sie die Filter. Setzen Sie die Filter nach der Reinigung wieder im Gerät ein.
3. Es wird empfohlen, den Filter und das Gerät in eine Plastiktüte zu wickeln und an einem kühlen, trockenen Ort aufzubewahren. Vermeiden Sie Feuchtigkeit, da diese den HEPA-H13 Filter beschädigen kann.

## Austausch von Filtern

Der **Luftreiniger Clean Air Optima CA-502 Desktop Smart** ist mit einem Mechanismus zur Überwachung der Filterlebensdauer ausgestattet, der signalisiert, dass der Filter nach 1400 Betriebsstunden ausgetauscht werden muss. Um anzuzeigen, dass der Hepa H13-Filter ausgetauscht werden muss, leuchtet die Kontrollleuchte auf und das Gerät sendet eine



doppelte Null-Kontrollleuchte aus. Setzen Sie den Timer für den Filter zurück, indem Sie die Ein/ Aus-Taste etwa 3 Sekunden lang gedrückt halten. Wenn die Kontrollleuchte erlischt, wurde der Timer erfolgreich zurückgesetzt.

**Je nach Anwendung hat der HEPA H13 Filter eine Lebensdauer von ca. 4-5 Monaten.**

### Filterreinigung

Die beste Wirkung wird erzielt, wenn die Filter einmal im Monat gereinigt werden. Bei stark belasteter Raumluft kann eine weitere Reinigung erforderlich sein.

Reinigen Sie den **Vorfilter** und den **HEPA H13 Filter** mit einer Bürste oder Ihrem Staubsauger. Auf diese Weise können größere Staubpartikel (wie Flusen, Haare und Hautschuppen von Haustieren) aus dem Filter entfernt werden.

**Warnung!** Befeuchten oder spülen Sie den HEPA H13 Filter niemals mit Wasser.

### Anzeichen für verbrauchte Filter

Lauteres Betriebsgeräusch, reduzierter Luftstrom, überfüllte Filter, zunehmende Geruchsbelästigung.

Der Filter muss durch einen neuen ersetzt werden, wenn sich die Farbe des HEPA-Filters von weiß zu grau oder schwarz geändert hat. Wenn der HEPA-Filter noch weiß ist, ist ein Austausch des Filters nicht erforderlich.



### Bestellen von Filtern:

Kontaktieren Sie den Kundendienst von Clean Air Optima unter Tel. + 31 (0) 742670145 oder besuchen Sie unseren Webshop: <https://www.cleanairoptima.com/-accessoires>

## Störungsbehebung

Im Folgenden finden Sie eine Anleitung zur Störungssuche. Sie hilft Ihnen, Probleme zu lösen, die bei Verwendung des **Clean Air Optima Luftreiniger CA-502 Desktop Smart** auftreten können.

Problem	Mögliche Ursache	Lösung
Gerät schaltet nicht ein.	Das Netzkabel ist nicht richtig angeschlossen. Das Netzkabel ist defekt. Der Filter ist nicht richtig montiert.	Den Netzstecker und die Steckdose korrekt anschließen. Das Netzkabel ersetzen. Installieren Sie den Filter korrekt. Siehe Kapitel: Verwendung.
Der Luftauslass riecht übel.	Der Filter fängt zu viel Geruch oder Staub auf. Die Lebensdauer der Filter ist abgelaufen.	Die Verbundfilter ersetzen. Die Verbundfilter ersetzen.
Schlechter Reinigungswirkung.	Kontrollieren, ob die Luft im Raum zu trocken ist. Das Gerät ist in einem nicht belüfteten Raum aufgestellt oder von Hindernissen umgeben.	Die Luftfeuchtigkeit erhöhen. Die Hindernisse entfernen.
Aus dem Gerät wird keine Luft geblasen.	Der Lufteinlass oder -auslass ist blockiert.	Die Hindernisse entfernen.
<b>Der Betrieb mit der Clean Air Optima®-App funktioniert nicht.</b>	Das Smartphone oder Tablet ist nicht mit dem WLAN-Netzwerk verbunden. Das Gerät hat keine Verbindung zu dem Netzwerk.	Schalten Sie das Gerät an und setzen Sie das WLAN auf dem Gerät zurück, indem Sie die WiFi-Taste 3 Sekunden lang drücken; die WLAN-Anzeige blinkt. Führen Sie dann die Schritte 3 bis 10 aus dem Kapitel ‚ <b>Betrieb mit der Clean Air Optima®-App</b> ‘ durch.
Auf dem Display wird der Code EO angezeigt.	PM2,5-Sensor funktioniert nicht	Schalten Sie das Gerät aus und ziehen Sie den Stecker aus der Steckdose. Stecken Sie den Stecker in die Steckdose und schalten Sie das Gerät wieder ein.
Auf dem Display wird der Code FFF angezeigt.	Motor ist blockiert oder gestoppt.	Schalten Sie das Gerät aus und ziehen Sie den Stecker aus der Steckdose. Stecken Sie den Stecker in die Steckdose und schalten Sie das Gerät wieder ein.

Problem	Mögliche Ursache	Lösung
Auf dem Display wird der Code EEE angezeigt.	PM2.5-Sensor und Motor funktionieren nicht.	Schalten Sie das Gerät aus und ziehen Sie den Stecker aus der Steckdose. Stecken Sie den Stecker in die Steckdose und schalten Sie das Gerät wieder ein.

## WARNUNG!

Wenn die oben empfohlenen Lösungen nicht funktionieren: Wenden Sie sich bitte an den technischen Kundendienst von Clean Air Optima unter der Telefonnummer Ihrer Region. Nicht versuchen, das Gerät zu zerlegen, wieder zusammenzubauen oder zu reparieren, da andernfalls die Garantie erlöschen kann.

## Technische Daten

Modell	CA-502 Desktop Smart
Für Räume bis	20 m <sup>2</sup> / 50 m <sup>3</sup> / 215 ft <sup>2</sup>
Nennspannung des adapters	Eingang: 100V - 240V~, 50/ 60Hz, 0.4A oder 1.0A Ausgang: 12V $\overline{\text{---}}$ , 1.5A
Nennleistung des Geräts	10 W, 12V $\overline{\text{---}}$
Lüfterleistung (CADR)	110 m <sup>3</sup> /h
Filterleistung	99,97 %
Schallpegel	10 dB(A) Leiser Schlafmodus/ 15 dB(A) niedrig 1/ 25 dB(A) mittel 2/ 50 dB(A) hoch 3
Maße	190 x 190 x 235mm
Gewicht	1,5kg
Farbe	Hellgrau/ weiß
Entspricht den EU-Vorschriften	CE / EEAG / RoHS

Fragen Sie Ihren Händler oder Ihre Kommunalverwaltung nach aktuellen Informationen über die Entsorgung der Verpackung und des Geräts.





## Service

### Garantiezertifikat für Luftreiniger Clean Air Optima CA-502 Desktop Smart.

Kaufdatum: .....

Name des Kunden: .....

Adresse: .....

Telefon: .....

E-Mail: .....

Name des Verkäufers: .....

Adresse: .....

1. Bitte füllen Sie dieses Garantiezertifikat vollständig aus. Senden Sie es mit der Rechnung und dem Gerät, Porto im Voraus bezahlt und in der Originalverpackung an Ihren Händler. Fügen Sie ausreichendes Rückporto für das Paket bei.
2. Bitte fügen Sie eine kurze Beschreibung des Schadens, der Störung oder des Fehlers und der Umstände bei, unter denen diese Probleme aufgetreten sind.

Der **Clean Air Optima Luftreiniger CA-502 Desktop Smart** wird vor Verlassen des Werks strengen Prüfverfahren unterzogen. Wenn das Produkt innerhalb von 2 Jahren ab Kaufdatum nicht den Spezifikationen entspricht, hat der Käufer aufgrund von Fertigungsmängeln das Recht auf kostenlose Reparatur oder Ersatz von Teilen gegen Vorlage dieser Garantie (vorausgesetzt, dass die Fehlfunktion oder Beschädigung des Geräts und/oder der Teile unter normalen Betriebsbedingungen aufgetreten ist). Die Garantie gilt: Für alle in Material und Verarbeitung fehlerhaften Teile. Wie lange: zwei Jahre ab Kaufdatum. Das werden wir tun: Fehlerhafte Teile reparieren oder ersetzen.  
Ausschlüsse: Filter regelmäßig austauschen.

### Sonstige Bedingungen

Die Bestimmungen dieser Garantie ersetzen alle anderen schriftlichen Garantien, ob ausdrücklich oder stillschweigend, schriftlich oder mündlich, einschließlich der Garantie der Marktgängigkeit oder Eignung für einen bestimmten Zweck. Die maximale Haftung des Herstellers überschreitet nicht den tatsächlichen Kaufpreis, den Sie für das Produkt gezahlt haben. In keinem Fall haftet der Hersteller für besondere, zufällige, Folge- oder indirekte Schäden. Diese Garantie erstreckt sich nicht auf einen Mangel, der nach unserem alleinigen Ermessen auf unsachgemäße oder unangemessene Verwendung oder Wartung, fehlerhafte Montage, Unfall oder Naturkatastrophen, unsachgemäße Verpackung oder unbefugte Manipulationen, Änderungen oder Modifikationen zurückzuführen ist. Diese Garantie erlischt, wenn der Aufkleber mit der Seriennummer entfernt oder entstellt wurde.

# Vielen Dank für das Lesen!



Äußern Sie Ihre Meinung über den Luftreiniger  
Clean Air Optima CA-502 Desktop Smart auf:  
[www.cleanairoptima.com](http://www.cleanairoptima.com)



Für häufig gestellte Fragen zum CA-502 Desktop Smart besuchen Sie bitte:  
[www.cleanairoptima.com](http://www.cleanairoptima.com) und suchen Sie nach „CA-502 Desktop Smart“.



Laden Sie die PDF-Bedienungsanleitung herunter unter:  
[www.cleanairoptima.com/info/manuals](http://www.cleanairoptima.com/info/manuals)



Alle Videos mit Produktanimationen  
von Clean Air Optima finden Sie auf:  
[www.youtube.com](http://www.youtube.com)

**Clean Air Optima International B.V.** | David Ricardostraat 9-7 / 9-9 | 7559 SH Hengelo (ov)  
Niederlande | Telefon: +31 (0) 74 - 2670145

**Clean Air Optima Germany GmbH** | Enschedestraße 14 | 48529 Nordhorn | Deutschland  
Telefon: +49 (0)5921 879-121

**E-Mail:** [info@cleanairoptima.com](mailto:info@cleanairoptima.com)

**Internet:** [www.cleanairoptima.com](http://www.cleanairoptima.com)

## Nederlands

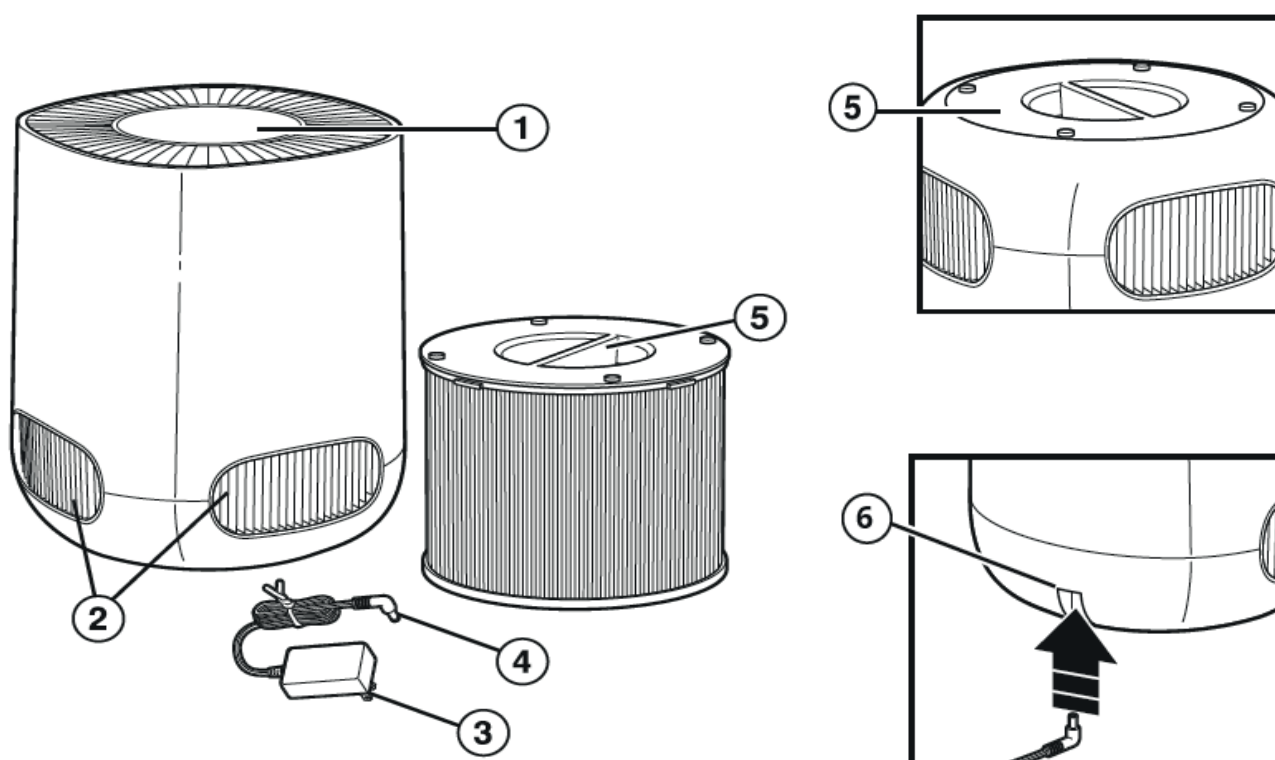
### Bedankt voor de aankoop van de Clean Air Optima luchtreiniger CA-502 Desktop Smart.

Wij wensen u vele jaren gezonde binnenlucht toe met dit efficiënte en doeltreffende product.

Voor de juiste werking van dit elektrische apparaat is het belangrijk dat alle veiligheidsvoorschriften tijdens het gebruik in acht worden genomen. Deze instructies beschrijven de veiligheidsvoorschriften die tijdens het gebruik moeten worden nageleefd. Ze zijn bedoeld om verwondingen en schade aan het apparaat te voorkomen.

**Voordat u uw nieuwe Clean Air Optima luchtreiniger CA-502 Desktop Smart gebruikt.** Verwijder eerst de beschermfolie van de filters, zie blz. 28. Hoe te gebruiken.

### CA-502 Desktop Smart / Beschrijving van het apparaat



1. Bedieningspaneel
2. Verlichting (aan 3 zijden)
3. Netsnoer
4. Stroomadapter
5. True HEPA H13-filter en pré-filter
6. Adapteropening

## Veiligheidswaarschuwingen

Dit apparaat mag alleen worden gebruikt in overeenstemming met deze veiligheidsinstructies. Houd rekening met het volgende om het risico op verwondingen door bijvoorbeeld elektrische schokken of brand tot een minimum te beperken.

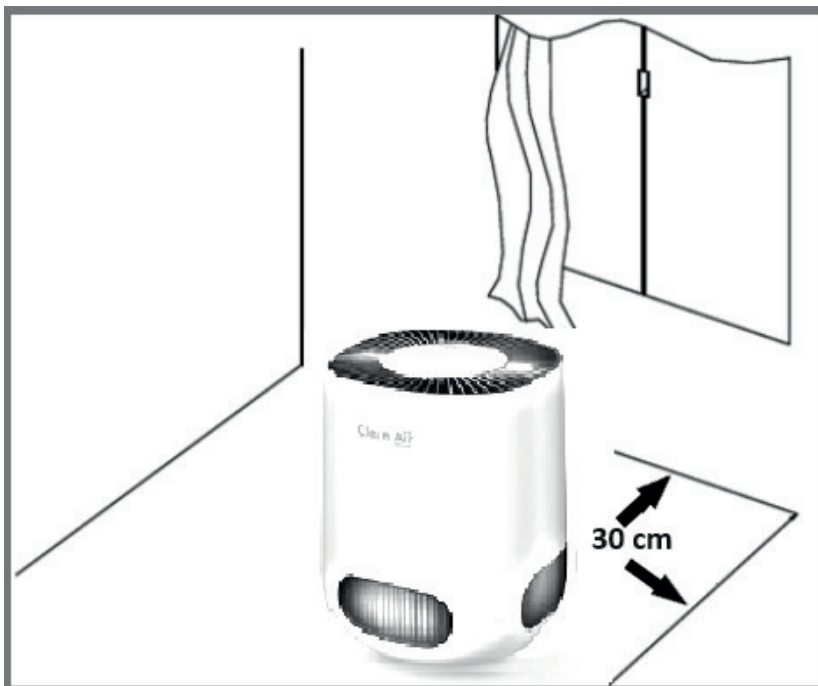
1. Alleen voor gebruik binnenshuis. Niet buiten gebruiken of opslaan.
2. Dit apparaat kan worden gebruikt door kinderen vanaf 8 jaar en door personen met verminderde fysieke, zintuiglijke of mentale capaciteiten of gebrek aan ervaring en kennis, als zij onder toezicht staan of instructies hebben gekregen over het veilige gebruik van het apparaat en de gevaren begrijpen. Kinderen mogen niet met het apparaat spelen. Reiniging en gebruiksonderhoud mogen niet door kinderen zonder toezicht worden uitgevoerd.
3. Gebruik het apparaat niet als er zichtbare schade is aan het netsnoer of het apparaat zelf. Repareer een beschadigd apparaat niet zelf. Trek nooit aan het snoer van het apparaat. Als het netsnoer beschadigd is, moet het worden vervangen door erkend servicepersoneel om elektrische schokken of brand te voorkomen.
4. Herstellingen mogen alleen worden uitgevoerd door erkend servicepersoneel. Probeer het apparaat niet zelf te repareren, om elektrische schokken of brand te voorkomen.
5. Maak de stekker steeds los van het snoer wanneer het apparaat niet wordt gebruikt.
6. Gebruik alleen de meegeleverde stroomadapters en snoeren. Controleer of de adapterspanning overeenkomt met de lokale spanning.
7. Trek de stekker uit het stopcontact wanneer u het apparaat niet gebruikt of wanneer u interne of externe onderdelen ervan reinigt.
8. Plaats het apparaat uit veiligheidsoverwegingen in een stabiele, horizontale positie. Verplaats het apparaat niet tijdens het gebruik.
9. Gebruik het apparaat niet op plaatsen waar ontvlambare vloeistoffen of gassen worden bewaard, in de buurt van warmtebronnen of op bijzonder vochtige plaatsen zoals de badkamer.
10. Steek nooit een voorwerp in de behuizing van het apparaat om defecten te vermijden.
11. Dek de luchtinlaat- en luchtuitlaatroosters nooit af.
12. Demonteer of vervang nooit de binnenste delen van het apparaat.
13. Raak de luchtinlaat- en uitlaatroosters niet aan wanneer het apparaat in werking is en steek de handgreep noch enig voorwerp in de luchtuitlaat om verwonding of schade aan de luchtreiniger te voorkomen.
14. Om het inlaat- en uitlaatluchtrooster van de luchtreiniger ongehinderd te houden, mag u geen voorwerpen boven of in de buurt van de voorkant van de luchtreiniger plaatsen.
15. Plaats geen zware voorwerpen op het apparaat.
16. Vermijd plaatsen met direct zonlicht. Het risico bestaat dat het apparaat verkleurt.
17. Dompel het apparaat nooit onder in water of andere vloeistoffen.
18. Raak het netsnoer niet aan met natte handen.
19. Reinig de voorfilter regelmatig; als de voorfilter verzadigd is met stof, zal dit leiden tot een slechte reinigende werking. Het stroomverbruik zal toenemen, het kan storingen veroorzaken.
20. Het apparaat is te gebruiken bij temperaturen tussen de 10 °C tot 45 °C.
21. Gebruik, onderhoud en reinig het apparaat zoals beschreven in deze handleiding.

## Hoe te gebruiken

Gebruik het apparaat niet als het filter is verwijderd.

Steek de adapter in de adapteropening aan de achterkant van de luchtreiniger en steek de stekker in het stopcontact. U hoort één pieptoon en het indicatielampje voor de luchtkwaliteit gaat aan en vervolgens uit.

Het apparaat moet minstens 30 cm van muren en meubilair zijn verwijderd om een goede luchtstroom te verkrijgen. Zorg dat de in- en uitlaten voor de luchtstroom niet geblokkeerd zijn.



## Bedieningspaneel / bedieningsinstructies



### 1 Aan-uitknop

Door op de Aan-uitknop te drukken zet u het apparaat aan en uit.

(De standaardinstelling wanneer u het apparaat aanzet is de automatische stand).

Het indicatielampje voor de luchtkwaliteit aan de voorkant van de luchtreiniger zal verschillende kleuren oplichten terwijl de PM2.5-sensor de luchtkwaliteit evalueert. Eenmaal voltooid, weerspiegelt de kleur de huidige luchtkwaliteit. Zie grafiek voor luchtkwaliteitsniveaus..



### 2 Snelheid

Door op de knop Snelheid te drukken, kunt u het snelheidsniveau wijzigen. Er zijn verschillende ventilatorsnelheden beschikbaar. U kunt kiezen uit de automatische modus, snelheid 1, 2 of 3. Raak de ventilatorsnelheidsknop herhaaldelijk aan om de modus te selecteren.

In de instelling **Auto** meet en regelt de geïntegreerde slimme sensor (Intelligent Particle Sensor™) automatisch de luchtkwaliteit. De ventilator, die door een sensor wordt aangestuurd, anticipeert automatisch in hoeverre de binnenlucht vervuild is door deeltjes van de grootte PM2.5 en stelt op basis daarvan een de 3 verschillende snelheden in.

De gelijkenis met de automatische modus wordt als volgt weergegeven:

Als de PM2,5-waarde tussen 0 en 35 ligt, geeft het snelheidsindicatielampje een 1 weer.

Als de PM2,5-waarde tussen 36 en 55 ligt, geeft het snelheidsindicatielampje een 2 weer.

Als de PM2,5-waarde tussen 56 en 999 ligt, geeft het snelheidsindicatielampje een 3 weer.



### 3 Slaapmodus

Wanneer de slaapmodus is geactiveerd, wordt het display uitgeschakeld. Alleen het slaapmodus lampje brandt. De ventilatorsnelheid gaat naar de laagste stand.



### 4 Kinderslot

Het kinderslot beschermt tegen ongewenst gebruik van het apparaat.

Het kinderslot wordt in-/uitgeschakeld door de slaapmodus knop 3 seconden ingedrukt te houden totdat er een pieptoon klinkt.



### 5 Anion-functie

De anion-functie wordt ingeschakeld bij het opstarten van het apparaat en uitgeschakeld zodra het apparaat wordt uitgeschakeld. De anion-functie kan op de APP worden in- en uitgeschakeld.



### 6 Filter vervangen

De **Clean Air Optima luchtreiniger CA-502 Desktop Smart** is uitgerust met een bewakingsmechanisme voor de levensduur van de filters, dat aangeeft dat de filters na 1400 werkuren moeten worden vervangen. Om aan te geven dat de True HEPA H13-filter moeten worden vervangen, gaat het indicatielampje branden en geeft het apparaat een dubbel nul-indicatielampje



. Reset de timer van het filter door de aan- uitknop ongeveer 3 seconden ingedrukt te houden. Als het indicatielampje uitgaat, is de timer succesvol gereset.



### 7 WiFi

WiFi-indicator.

## Digitale monitor

De digitale monitor aan de bovenzijde van de luchtreiniger CA-502 Desktop Smart geeft automatisch en precies de huidige luchtkwaliteit aan door het aantal deeltjes met een grootte van PM2.5 binnenshuis te meten.

Particle measurement (PM 2.5)	Air quality
0-35	Green - Good
36-55	Yellow - Moderate
56-999	Red - Bad

Fijnstof van 10 µm (PM10) en kleiner 2,5 µm (PM2.5) kan in de longen terechtkomen en behoort tot de top 10 van bedreigingen voor de menselijke gezondheid. Deze kleine deeltjes ontwikkelen zich door typische processen binnenshuis zoals koken, bakken, frituren, roken en verwarmen of worden ook in grote hoeveelheden in de binnenlucht gebracht door transport, industrie, bouw, biologisch materiaal (stuifmeel, bacteriën, mijten en virussen), geïmporteerde deeltjes uit andere bronnen zoals (vliegtuig)uitlaatgassen en vulkaanuitbarstingen.

Allergenen zoals stuifmeel en stof veroorzaken elk voorjaar ernstige en langdurige gezondheidsbedreigingen voor miljoenen mensen – de aantallen nemen voortdurend toe.

### Meting van de relatieve luchtvochtigheid en temperatuur

Belangrijke aspecten voor een effectieve luchtzuivering: relatieve luchtvochtigheid tussen 45 - 60% en een omgevingstemperatuur van ongeveer 20 - 23 °C.

## Bediening met Clean Air Optima<sup>®</sup>-app

### Connectiviteit

#### Compatibiliteit met smartphone en tablet:

iPhone, iPad en Android-toestellen

#### Apparaat maakt verbinding via WiFi met app:

CleanAirOptima

**Let op:** de router moet zijn ingesteld op 2,4 GHz breedband. Als de router is ingesteld op 5,0 GHz, is het onmogelijk om een verbinding tot stand te brengen.

### WiFi-verbinding opzetten

1. Download en installeer de CleanAirOptima-app in de App Store of Google Play Store.
2. Maak een account aan en log in.
3. Steek de stekker van het apparaat in het stopcontact en zet het apparaat aan. Na het inschakelen drukt u lang op de WiFi-knop gedurende 3 seconden, het WiFi-indicatielampje knippert snel. De verbinding kan pas tot stand worden gebracht als het WiFi-indicatielampje knippert. Het rood omcirkelde lampje moet knipperen.



4. De router moet zijn ingesteld op 2,4 GHz breedband. Als de router is ingesteld op 5,0 GHz, kan er geen verbinding tot stand worden gebracht.
5. Zorg ervoor dat Bluetooth is ingeschakeld op uw smartphone.
6. Zorg dat uw smartphone of tablet succesvol met uw WiFi-netwerk is verbonden.
7. Open de CleanAirOptima-app en klik op Apparaat toevoegen . Uw apparaat staat in de lijst en u kunt het selecteren. Zo niet, kies Auto Scan. Volg de instructies op het scherm om het apparaat met uw netwerk te verbinden.
8. Kies om het Clean Air Optima<sup>®</sup>-apparaat in de app toe te voegen, volg de instructies in de app.
9. Wanneer het apparaat is gekoppeld, brandt het WiFi-lampje  continu.
10. Nadat de configuratie is geslaagd, kunt u de Clean Air Optima<sup>®</sup>-app gebruiken om het apparaat te bedienen.

#### Opmerking:

- Als uw standaardnetwerk is gewijzigd, de WiFi-verbinding resetten en stap 3 tot 8 uitvoeren in het gedeelte WiFi-verbinding instellen.
- Als u meerdere apparaten aan uw smartphone of tablet wilt koppelen, moet u dit de een na de ander doen.
- Zorg dat de afstand tussen uw smartphone of tablet en het apparaat minder dan 5 meter is en dat er geen obstakels zijn. Zorg er ook voor dat u in dezelfde kamer bent als het apparaat.





## **Reset de WiFi functie:**

- Reset de WiFi door de "WiFi" knop gedurende 3 seconden in te drukken, het indicatorlampje van de WiFi gaat snel knipperen.

## **Verbind apparaten met meerdere telefoons**

Let op: eerst moet de andere persoon de Clean Air Optima<sup>®</sup>-app op zijn/ haar telefoon installeren en een nieuw account aanmaken.

### **Deel het apparaat met beperkte toegang:**

U kunt ervoor kiezen om 1 apparaat met meerdere personen te delen. Deze persoon heeft dan wel toegang, maar kan niet alle instellingen beheren.

Volg onderstaande instructies om het apparaat met meerdere personen te delen:

1. Ga naar het betreffende apparaat.
2. Ga naar het potlood of de drie stippen rechtsboven.
3. Selecteer 'Toestel delen.'
4. Selecteer 'Voeg delen toe.'
5. Selecteer de methode voor het delen van het toestel/ apparaat, b.v. via e-mail, whatsapp, sms etc. en ga verder.
6. Het apparaat verschijnt automatisch in de Clean Air Optima<sup>®</sup>-app van het account van de persoon waarmee het toestel gedeeld is.

### **Deel toestel met volledige toegang:**

Je kunt een of meerdere personen toevoegen aan je 'Home-beheer'.

Die persoon heeft dan toegang tot al je apparaten die al zijn gekoppeld en heeft volledige rechten en machtigingen. U blijft altijd de hoofdbeheerder.

Volg de onderstaande instructies om iemand toe te voegen aan je 'Home-beheer':

1. Open de Clean Air Optima<sup>®</sup>-app en ga naar 'Profiel'.
2. Selecteer vervolgens 'Home-beheer'.
3. Selecteer 'Families toevoegen'.
4. Selecteer het desbetreffende 'Huis' en 'Voeg leden toe'.
5. Selecteer de methode voor het delen van het 'Huis' b.v. via email, whatsapp, sms etc. en ga verder.
6. Het bijbehorende 'Huis' verschijnt automatisch in de Clean Air Optima<sup>®</sup>-app van de persoon met wie jij je 'Huis' hebt gedeeld.
7. Op het andere account:  
Open de Clean Air Optima<sup>®</sup>-app en ga naar het startscherm. Ga naar linksboven en selecteer het 'Huis'.

## Onderhoud

### De buitenkant van de luchtreiniger schoonmaken

1. Schakel het apparaat uit en trek de stekker uit het stopcontact.
2. Gebruik een zachte en vochtige doek om het apparaat te reinigen van stof en vuil.
3. Zorg ervoor dat er **geen water** in het apparaat terecht komt.

### Opslag Clean Air Optima<sup>®</sup> luchtreiniger

1. Haal de stekker van het apparaat uit het stopcontact en plooi de voedingskabel samen.
2. Verwijder de filters en reinig ze. Plaats de filters na het reinigen weer terug in het apparaat..
3. Het wordt aanbevolen om het filter en het apparaat in een plastic zak te wikkelen en op een koele, droge plaats te plaatsen. Vermijd vocht, aangezien dit het True HEPA-filter kan beschadigen.

## Filters vervangen

De **Clean Air Optima luchtreiniger CA-502 Desktop Smart** is uitgerust met een bewakingsmechanisme voor de levensduur van de filters, dat aangeeft dat het filter na 1400 werkuren moeten worden vervangen. Om aan te geven dat het True Hepa H13-filter moet worden vervangen, gaat het indicatielampje branden en geeft het apparaat een dubbel nul-indicatielampje



. Reset de timer van het filter door de aan- uitknop ongeveer 3 seconden ingedrukt te houden. Als het indicatielampje uitgaat, is de timer succesvol gereset.

**Afhankelijk van het gebruik heeft het True HEPA H13-filter een levensduur van ca. 4-5 maanden.**

### Filters schoonmaken

Het beste effect wordt bereikt door de filters één keer per maand te reinigen. Als de binnenlucht extreem vervuild is, kan meer reiniging nodig zijn.

Maak de **voorfilter** en de **HEPA H13-filter** schoon met een borstel of uw stofzuiger. Op die manier kunnen grotere stofdeeltjes zoals pluizen, haar en huidschilfers van huisdieren uit de filter worden verwijderd.

**Waarschuwing!** Maak het HEPA-H13 filter nooit nat of spoel deze nooit uit met water.

### Tekenen die op versleten filters wijzen

Verhoogd geluid, verminderde luchtstroom, verstopte filters, toenemende aanwezigheid van geuren.

Het filter moet worden vervangen door een nieuwe wanneer de HEPA-filter van kleur verandert van wit naar grijs of zwart. Als de HEPA-filter wit blijft, hoeft de filter niet te worden vervangen.



### Filters bestellen:

Neem contact op met de klantendienst van Clean Air Optima op het nummer + 31 (0) 742670145 of bezoek onze webshop: <https://www.cleanairoptima.com/-accessoires>

## Problemen oplossen

Onderstaande gids begeleidt u bij het oplossen van problemen die u kunt ondervinden bij het gebruik van de **Clean Air Optima luchtreiniger CA-502 Desktop Smart**.

Probleem	Mogelijke oorzaak	Oplossing
Apparaat kan niet worden ingeschakeld.	Het netsnoer kan niet correct worden aangesloten. Het netsnoer is kapot. Het filter is niet correct geïnstalleerd.	Steek de netstekker correct in het stopcontact. Vervang het netsnoer. Installeer het filter correct. Zie hoofdstuk: Hoe gebruiken.
De luchtuitlaat ruikt vies.	De filter vangt te veel geur of stof op. De levensduur van de filters is verstreken.	Vervang de samengestelde filters. Vervang de samengestelde filters.
Slechte reinigende werking.	Controleer of de luchtvochtigheid in de kamer te droog is. Het apparaat bevindt zich in een ongeventileerde ruimte of is omgeven door obstakels.	Verhoog de luchtvochtigheid. Verwijder de obstakels.
Er blaast geen lucht uit het apparaat.	De luchtinlaat of -uitlaat wordt geblokkeerd.	Verwijder de obstakels.
<b>Bediening met Clean Air Optima® App</b> werkt niet.	Smartphone of tablet is niet verbonden met het Wifi-netwerk. Het apparaat heeft geen verbinding met het netwerk.	Schakel het apparaat aan en reset de wifi op het apparaat door de WiFi-knop 3 seconden ingedrukt te houden, het indicatielampje van de wifi gaat knipperen. Volg dan stap 3 t/m 10 uit hoofdstuk <b>Bediening met Clean Air Optima® App</b> .
Code E0 wordt op het display weergegeven.	PM2.5-sensor werkt niet.	Het apparaat wordt verbonden met het trekkingapparaat en het stopcontact wordt gemaakt. De stekker wordt op het stopcontact aangesloten en het apparaat wordt op het apparaat aangesloten.
Code FFF opnieuw op het display weergegeven.	De motor is geblokkeerd of gestopt.	Het apparaat wordt verbonden met het trekkingapparaat en het stopcontact wordt gemaakt. De stekker wordt op het stopcontact aangesloten en het apparaat wordt op het apparaat aangesloten.

Probleem	Mogelijke oorzaak	Oplossing
Op het display staat code EEE vermeld.	PM2.5-sensor in motor werkt niet.	Het apparaat wordt verbonden met het trekkingapparaat en het stopcontact wordt gemaakt. De stekker wordt op het stopcontact aangesloten en het apparaat wordt op het apparaat aangesloten.

## WAARSCHUWING!

Als de hierboven aanbevolen oplossingen niet werken, neem dan contact op met de technische ondersteuning van Clean Air Optima op het telefoonnummer voor uw regio. Probeer het apparaat niet te demonteren, opnieuw in elkaar te zetten of te repareren, aangezien dit de garantie kan doen vervallen.

## Specificaties

Model	CA-502 Desktop Smart
Voor kamers tot	20 m <sup>2</sup> / 50 m <sup>3</sup> / 215 ft <sup>2</sup>
Nominale spanning adapter	Invoer: 100V - 240V~, 50/ 60Hz, 0.4A of 1.0A Uitvoer: 12V $\overline{\text{---}}$ , 1.5A
Nominaal vermogen apparaat	10 W, 12V $\overline{\text{---}}$
Ventilatorcapaciteit (CADR)	110 m <sup>3</sup> /h
Filterprestaties	99,97%
Geluidsniveau	10dB(A) Stille slaapmodus/ 15 dB(A) Laag 1 / 25 dB (A) Medium 2 / 50 dB(A) Hoog 3
Afmetingen	190 x 190 x 235 mm
Gewicht	1,5 kg
Kleur	Lichtgrijs/ wit
Voldoet aan de EU-regelgeving	CE / WEEE / RoHS

Vraag uw verkoper of uw gemeente om actuele informatie over de verwijdering van de verpakking en van het apparaat.



## Service

### Garantiecertificaat voor de Clean Air Optima luchtreiniger CA-502 Desktop Smart.

Aankoopdatum: .....

Naam van de klant: .....

Adres: .....

Telefoon: .....

E-mail: .....

Naam van de verkoper: .....

Adres: .....

1. Gelieve dit garantiecertificaat volledig in te vullen. Verzond het met de factuur en het apparaat, voldoende gefrankeerd en in de originele verpakkingsdoos, naar uw verkoper. Zorg dat u ook de retourzending van het pakket voldoende frankeert.
2. Gelieve een korte beschrijving bij te voegen van de schade, fout of storing en de omstandigheden waarin de problemen zich voordeden.

De **Clean Air Optima luchtreiniger CA-502 Desktop Smart** ondergaat strenge testprocedures voordat het apparaat de fabriek verlaat. Indien het product binnen de 2 jaar na aankoopdatum wegens fabricagefouten niet volgens de specificaties functioneert, heeft de koper recht op gratis herstelling of vervanging van onderdelen op voorlegging van deze garantie (op voorwaarde dat de storing of beschadiging van het apparaat en/of onderdelen onder normale bedrijfsomstandigheden heeft plaatsgevonden). Wat wordt gedekt: Alle onderdelen met materiaal- of fabricagefouten. Hoe lang: gedurende twee jaar vanaf de aankoopdatum. Wat zullen we doen: Defecte onderdelen repareren of vervangen. Uitsluitingen: Gewone vervangfilters.

### Overige voorwaarden

De bepalingen van deze garantie vervangen elke andere schriftelijke of mondelinge, uitdrukkelijke of impliciete garantie, met inbegrip van elke garantie van verkoopbaarheid of geschiktheid voor een bepaald doel. De maximale aansprakelijkheid van de fabrikant bedraagt niet meer dan de aankoopprijs die u daadwerkelijk voor het product heeft betaald. De fabrikant is in geen geval aansprakelijk voor bijzondere schade, incidentele schade, gevolgschade of indirecte schade. Deze garantie dekt geen defecten die het gevolg zijn van onjuist of onredelijk gebruik of onderhoud, foutieve montage, ongeval, natuurrampen, onjuiste verpakking of ongeoorloofde manipulatie, veranderingen of wijzigingen zoals uitsluitend door ons bepaald. Deze garantie vervalt als het etiket met het serienummer is verwijderd of beschadigd.

# Bedankt om dit te lezen!



Deel uw feedback over de Clean Air Optima  
luchtreiniger CA-502 Desktop Smart op:  
[www.cleanairoptima.com](http://www.cleanairoptima.com)



Ga voor veelgestelde vragen over de CA-502 Desk-  
top Smart naar: [www.cleanairoptima.com](http://www.cleanairoptima.com) en zoek  
naar de CA-502 Desktop Smart.



Download de pdf-gebruiksaanwijzing op:  
[www.cleanairoptima.com/info/manuals](http://www.cleanairoptima.com/info/manuals)



Bekijk alle Clean Air Optima-  
productvideo's op:  
[www.youtube.com](http://www.youtube.com)

**Clean Air Optima International B.V.** | David Ricardostraat 9-7 / 9-9 | 7559 SH Hengelo (ov)  
Nederland | Telefoon: +31 (0) 74 - 2670145

**Clean Air Optima Germany GmbH** | Enschedestraße 14 | 48529 Nordhorn | Duitsland  
Telefoon: +49 (0) 5921 879-121

**E-mail:** [info@cleanairoptima.com](mailto:info@cleanairoptima.com)

**Internet:** [www.cleanairoptima.com](http://www.cleanairoptima.com)

## Français

### Merci d'avoir acheté le purificateur d'air Clean Air Optima CA-502 Desktop Smart.

Grâce à cet appareil efficace, vous bénéficierez d'un air intérieur sain durant de nombreuses années.

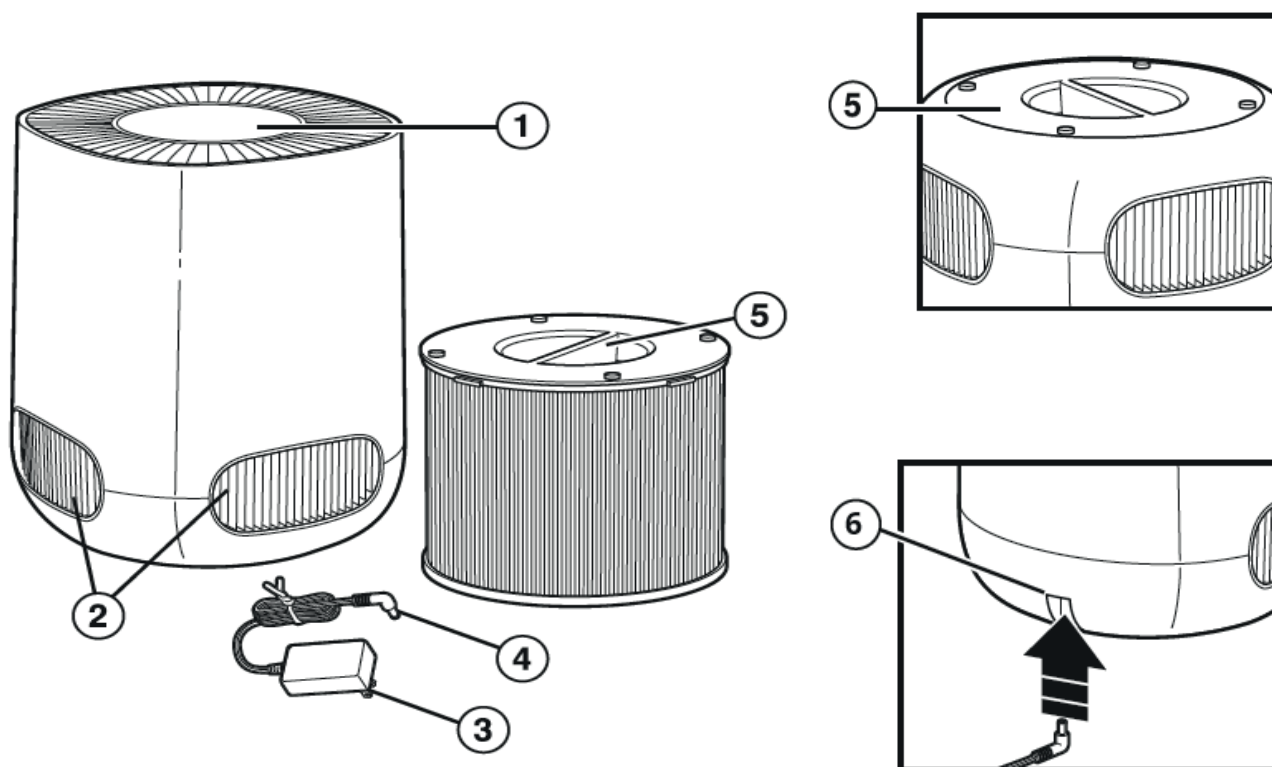
Assurez-vous que toutes les précautions de sécurité sont respectées lors de l'utilisation de cet appareil électrique, et ce, afin de garantir le bon fonctionnement de celui-ci.

Ces instructions décrivent les consignes de sécurité à respecter lors du fonctionnement de l'appareil. Elles sont destinées à prévenir les blessures et à éviter d'endommager l'appareil.

### Avant d'utiliser votre nouveau purificateur d'air Clean Air Optima CA-502 Desktop Smart.

Retirez tout d'abord la garniture d'étanchéité des filtres, voir à la page 40. Mode d'emploi.

### CA-502 Desktop Smart / Description de l'appareil



1. Panneau de contrôle
2. Éclairage (sur 3 côtés)
3. Câble d'alimentation
4. Adaptateur secteur
5. Véritable filtre HEPA H13 et filtre pré
6. Ouverture pour adaptateur

## Avertissements de sécurité

Cet appareil ne peut être utilisé que conformément aux instructions de sécurité indiquées dans le présent document. Veillez à adopter les mesures suivantes afin de minimiser les risques de blessures corporelles dues par exemple à des chocs électriques ou un incendie.

1. Uniquement pour utilisation intérieure. N'utilisez pas et n'entreposez pas l'appareil à l'extérieur.
2. Cet appareil peut être utilisé par des enfants âgés de 8 ans et plus et par des personnes ayant des capacités physiques, sensorielles ou mentales réduites ou un manque d'expérience et de connaissances s'ils ont reçu une supervision ou des instructions concernant l'utilisation de l'appareil en toute sécurité et comprennent les dangers. Les enfants ne doivent pas jouer avec l'appareil. Le nettoyage et l'entretien par l'utilisateur ne doivent pas être effectués par des enfants sans surveillance.
3. N'utilisez pas l'appareil si des dommages visibles sont présents sur le cordon électrique ou l'appareil lui-même. Ne réparez pas l'appareil vous-même en cas de dommages. Ne déplacez jamais l'appareil en tirant sur le cordon d'alimentation. Si le cordon d'alimentation est endommagé, il doit être remplacé par un technicien autorisé, et ce, afin d'éviter tout choc électrique ou incendie.
4. Les réparations ne peuvent être effectuées que par du personnel de service autorisé. N'essayez pas de réparer l'appareil vous-même, et ce, afin d'éviter tout risque d'électrocution ou d'incendie.
5. Débranchez toujours la fiche du cordon d'alimentation lorsque l'appareil n'est pas utilisé.
6. Utilisez uniquement les adaptateurs et les cordons d'alimentation fournis. Vérifiez si la tension de l'adaptateur correspond à la tension locale.
7. Débranchez l'appareil lorsque vous ne l'utilisez pas ou lorsque vous nettoyez des éléments internes ou externes de celui-ci.
8. Pour une utilisation en toute sécurité, placez l'appareil dans une position horizontale et stable. Ne bougez pas l'appareil en cours d'utilisation.
9. N'utilisez pas l'appareil à l'intérieur de locaux où sont entreposés des liquides ou des gaz inflammables, à proximité de sources de chaleur ou dans des pièces particulièrement humides comme des salles de bains.
10. N'insérez jamais le moindre objet à l'intérieur du caisson de l'appareil, et ce, afin d'éviter une panne.
11. Ne recouvrez jamais les grilles d'entrée et de sortie d'air.
12. Ne démontez ni ne remplacez jamais les éléments internes de l'appareil.
13. Lorsque l'appareil fonctionne, ne touchez pas les grilles d'entrée et de sortie d'air, et n'insérez pas la poignée ou tout autre objet dans la sortie d'air afin d'éviter de vous blesser ou d'endommager le purificateur d'air.
14. Afin que les grilles d'entrée et de sortie du purificateur d'air puissent fonctionner sans entraves, ne placez pas d'objets au-dessus ni à côté du couvercle frontal du purificateur d'air.
15. Ne déposez pas d'objets lourds sur l'appareil.
16. Évitez les endroits exposés à la lumière directe du soleil. Il y a en effet un risque de décoloration de l'appareil.
17. N'immergez jamais l'appareil dans l'eau ou dans d'autres liquides.
18. Ne touchez pas le cordon d'alimentation avec les mains mouillées.
19. Nettoyez régulièrement le préfiltre ; si le préfiltre est saturé de poussières, son effet purifiant sera de mauvaise qualité. La consommation d'énergie augmentera et une panne peut survenir.
20. La température de fonctionnement normal de l'appareil est comprise entre 10 °C et 45 °C.
21. Utilisez, entretenez et nettoyez l'appareil comme décrit dans ce manuel.

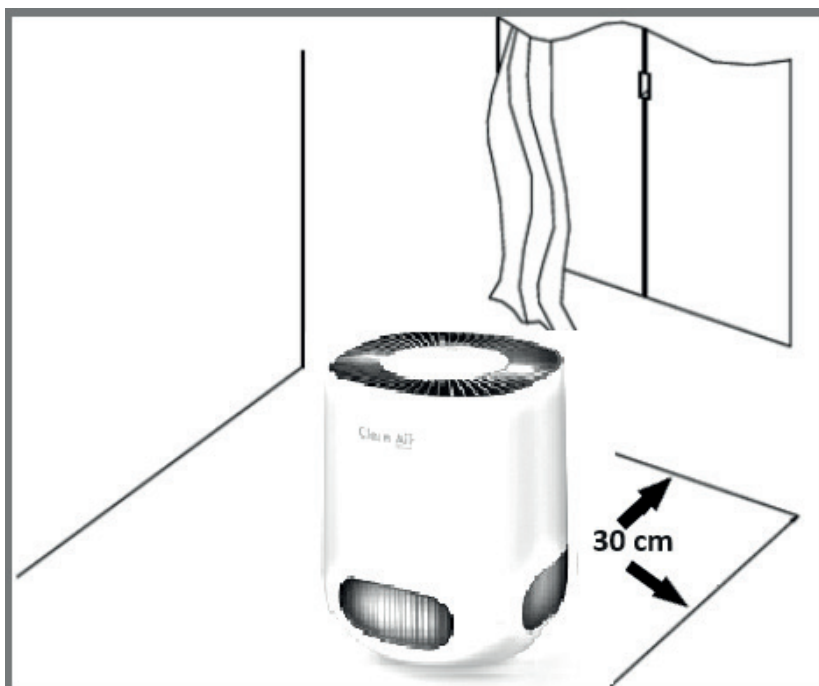


## Mode d'emploi

N'utilisez pas l'appareil avec le filtre retiré.

Insérez l'adaptateur dans l'ouverture pour adaptateur à l'arrière du purificateur d'air et branchez-le dans la prise murale. Vous entendrez un bip et le voyant de la qualité de l'air s'allumera puis s'éteindra.

L'appareil doit être positionné à au moins 30 cm des murs et des meubles afin de garantir une circulation correcte de l'air. Assurez-vous que les entrées et les sorties d'air ne sont pas obstruées.



## Panneau de contrôle / Mode d'emploi



### 1 Bouton d'alimentation

Appuyez sur le bouton d'alimentation pour allumer et éteindre l'appareil.

(Le mode Auto est activé par défaut lors de la mise sous tension de l'appareil).

Le voyant lumineux de la qualité de l'air situé à l'avant du purificateur d'air s'allumera de différentes couleurs lorsque le capteur PM2,5 évalue la qualité de l'air. Une fois terminé, la couleur reflétera la qualité actuelle de l'air. Voir le tableau pour les niveaux de qualité de l'air.



### 2 Vitesses

Pour changer la vitesse de ventilation, appuyez sur le bouton « Vitesse ». Il existe plusieurs vitesses de ventilateur disponibles. Vous pouvez choisir le mode automatique, vitesse 1, 2 ou 3. Touchez le bouton de vitesse du ventilateur à plusieurs reprises pour sélectionner le mode.

Dans le cas du réglage **Auto**, le capteur intelligent intégré (Intelligent Particle Sensor™) mesure et régule automatiquement la qualité de l'air. Le ventilateur, commandé par un capteur, anticipe automatiquement le degré de pollution de l'air intérieur en fonction de la taille des particules PM2.5 et sélectionne en conséquence l'une des 3 vitesses différentes.

La correspondance avec le mode automatique est la suivante :

Si la valeur PM2,5 est comprise entre 0 et 35, le voyant de vitesse affichera un 1.

Si la valeur PM2,5 est comprise entre 36 et 55, le voyant de vitesse affichera un 2.

Si la valeur PM2,5 est comprise entre 56 et 999, le voyant de vitesse affichera un 3.



### 3 Mode Veille

Lorsque le mode Veille est activé, l'affichage s'éteint. Seul le voyant du mode Veille est allumé. La vitesse du ventilateur passe au réglage le plus bas.



### 4 Sécurité enfant

La sécurité enfant est une protection contre toute utilisation non souhaitée de l'appareil. La sécurité enfants est activée/désactivée en appuyant longuement sur le bouton de mode veille pendant 3 secondes jusqu'à ce qu'un bip retentisse.



## 5 Fonction anionique

La fonction anionique est activée lors du démarrage de l'appareil et désactivée lorsque celui-ci est éteint. La fonction anion peut être activée/désactivée sur l'application.



## 6 Remplacement du filtre

Le purificateur d'air **Clean Air Optima CA-502 Desktop Smart** est équipé d'un dispositif de surveillance de la durée de vie des filtres, qui signale que le filtre doit être remplacés après 1400 heures de fonctionnement. Pour indiquer que le véritable filtre HEPA H13 doit être remplacés, le voyant s'allumera et l'appareil émettra un double



voyant zéro. Réinitialisez la minuterie du filtre en appuyant longuement sur le bouton d'alimentation pendant environ 3 secondes. Si le voyant s'éteint, la minuterie a été réinitialisée avec succès.



## 7 WiFi

Témoin WiFi.

## Moniteur numérique

Le moniteur numérique situé au-dessus du purificateur d'air CA-502 Desktop Smart indique de manière automatique et avec précision la qualité actuelle de l'air, grâce à la mesure de la taille des particules PM2.5.

Particle measurement (PM 2.5)	Air quality
0-35	Green - Good
36-55	Yellow - Moderate
56-999	Red - Bad

Les particules de 10 µm (PM10) et de moins de 2,5 µm (PM2.5) peuvent pénétrer dans les poumons et font partie des 10 principales menaces pour la santé humaine. Ces petites particules sont générées par les activités intérieures classiques (cuisson, friture, fumée de cigarette, chauffage, etc.) ou sont véhiculées en grande quantité dans l'air intérieur en raison du transport, de l'industrie, de la construction, des matières biologiques (pollen, bactéries, acariens et virus), ou encore sont importées des gaz de combustion (des avions) et des éruptions volcaniques.

Les allergènes tels que le pollen et la poussière représentent chaque printemps des menaces graves et à long terme pour la santé de millions de personnes, et par ailleurs leur nombre ne cesse d'augmenter.

### Mesure de l'humidité relative et de la température

Conditions importantes pour une purification efficace de l'air : humidité relative comprise entre 45 et 60 %, et température ambiante d'environ 20 à 23°C.

## Fonctionnement avec l'application Clean Air Optima<sup>®</sup> Connectivité

### Compatibilité smartphone et tablette :

Appareils iPhone, iPad et Android

### L'appareil se connecte par le wifi à l'application :



CleanAirOptima

**Attention :** Le routeur doit être réglé sur la bande de fréquence de 2,4 GHz. Si le routeur est réglé sur 5,0 GHz, il est impossible d'établir une connexion.

### Configurer la connexion wifi

1. Téléchargez et installez l'application « CleanAirOptima » dans l'App Store ou le Google Play Store.
2. Créez un compte et connectez-vous.
3. Branchez la fiche de l'appareil dans la prise électrique et mettez-le sous tension. Après la mise sous tension, appuyez longuement sur le bouton WIFI pendant 3 secondes, le voyant WIFI clignotera rapidement. La connexion ne peut être démarrée que lorsque le voyant WIFI clignote. Le voyant rouge cerclé devrait clignoter.



4. Le routeur doit être réglé sur la bande de fréquence de 2,4 GHz. Si le routeur est réglé sur 5,0 GHz, il est impossible d'établir une connexion.
5. Assurez-vous que le Bluetooth est activé sur votre smartphone.
6. Assurez-vous que votre smartphone ou tablette est correctement connecté à votre réseau wifi.
7. Ouvrez l'application « CleanAirOptima » et cliquez sur « Ajouter un appareil » . Votre appareil est répertorié dans la liste et vous pouvez le sélectionner. Sinon, choisissez 'Auto Scan'. Suivez les instructions à l'écran pour connecter l'appareil à votre réseau.
8. Choisissez l'option « Ajouter l'appareil Clean Air Optima<sup>®</sup> » dans l'application, suivez les instructions de l'application.
9. Lorsque l'appareil est couplé, le témoin wifi reste  allumé en permanence.
10. Une fois la configuration réussie, vous pouvez utiliser l'application Clean Air Optima<sup>®</sup> pour faire fonctionner l'appareil.

### Remarque :

- Si votre réseau par défaut a changé, réinitialisez la connexion wifi, suivez les étapes 3 à 8 de la section « Configurer la connexion wifi ».
- Si vous souhaitez coupler plusieurs appareils à votre smartphone ou tablette, vous devez les appairer l'un après l'autre.
- Assurez-vous que la distance entre votre smartphone ou tablette et l'appareil est inférieure à 5 mètres et qu'il n'y a pas d'obstacles entre eux. Assurez-vous également d'être dans la même pièce que l'appareil.



### **Pour réinitialiser la fonction wifi :**

- Réinitialisez le wifi en appuyant sur le bouton 'WiFi' pendant 3 secondes jusqu'à ce que le témoin du wifi clignote rapidement.

## **Connecter des appareils à plusieurs téléphones**

Note : L'autre personne doit d'abord installer l'app Clean Air Optima<sup>®</sup> sur son téléphone et créer un nouveau compte.

### **Partager l'appareil en donnant un accès limité :**

Vous pouvez choisir de partager un appareil avec plusieurs personnes. Chacune de ces personnes y aura alors accès, mais n'aura pas le droit de gérer les paramètres.

Suivez les instructions ci-dessous pour partager l'appareil avec plusieurs personnes :

1. Sélectionnez l'appareil concerné.
2. Cliquez sur le crayon ou les trois points dans le coin supérieur droit.
3. Sélectionnez « Partager l'appareil ».
4. Choisissez « Ajouter un partage ».
5. Choisissez la méthode de partage, par exemple par e-mail, WhatsApp, SMS, etc., et continuez.
6. L'appareil apparaîtra automatiquement dans l'app Clean Air Optima<sup>®</sup> ouverte avec l'autre compte.

### **Partager le dispositif avec un accès complet :**

Vous pouvez ajouter une ou plusieurs personnes à votre gestion domestique. Chacune d'elles aura alors accès à tous vos appareils déjà reliés et disposera de tous les droits et autorisations. Vous restez cependant toujours l'administrateur principal.

Suivez les instructions ci-dessous pour ajouter quelqu'un à votre gestion domestique :

1. Ouvrez l'app Clean Air Optima<sup>®</sup> et allez dans « Moi ».
2. Choisissez ensuite « Home Management ».
3. Choisissez « Créer une maison ».
4. Sélectionnez la « Maison » concernée et « Ajouter un membre ».
5. Choisissez la méthode de partage, par exemple par e-mail, WhatsApp, SMS, etc., et continuez.
6. La « Maison » correspondante apparaîtra automatiquement dans l'app Clean Air Optima<sup>®</sup> de la personne avec laquelle vous avez partagé votre « Maison ».
7. Sur l'autre compte :  
Ouvrez la page d'accueil de l'app Clean Air Optima<sup>®</sup>. Dans le coin supérieur gauche, sélectionnez la « Maison ».

## Maintenance

### Nettoyage de la partie extérieure du purificateur d'air

1. Éteignez l'appareil et débranchez le cordon d'alimentation.
2. Utilisez un chiffon doux et humide pour éliminer la poussière et la saleté de l'appareil.
3. Veillez à ce que **de l'eau** ne pénètre pas à l'intérieur de l'appareil.

### Stockage du purificateur d'air Clean Air Optima<sup>®</sup>

1. Débranchez l'appareil et repliez le cordon d'alimentation.
2. Retirez les filtres pour les nettoyer. Après le nettoyage, replacez-les dans l'appareil.
3. Il est recommandé d'envelopper le filtre et l'appareil dans un sac en plastique et de les placer dans un endroit frais et sec. Évitez l'humidité car elle peut endommager le filtre True HEPA.

## Remplacement des filtres

Le purificateur d'air **Clean Air Optima CA-502 Desktop Smart** est équipé d'un dispositif de surveillance de la durée de vie du filtre, qui signale que le filtre doit être remplacé après 1400 heures de fonctionnement. Pour indiquer que le filtre True Hepa H13 doit être remplacé,,



le voyant s'allumera et l'appareil émettra un double voyant zéro **00**. Réinitialisez la minuterie du filtre en appuyant longuement sur le bouton d'alimentation pendant environ 3 secondes. Si le voyant s'éteint, la minuterie a été réinitialisée avec succès.

**En fonction de leur utilisation, le filtre True HEPA H13 possèdent une durée de vie d'environ 4 à 5 mois.**

### Nettoyage des filtres

Pour un effet optimal, nettoyez les filtres une fois par mois. Si l'air intérieur est extrêmement pollué, un nettoyage supplémentaire peut s'avérer nécessaire.

Nettoyez le **préfiltre** et le **filtre HEPA** à l'aide d'une brosse ou d'un aspirateur. De cette façon, les plus grosses particules de poussières comme les peluches, les poils ou les squames d'animaux domestiques peuvent être éliminées du filtre.

**Avertissement !** Ne jamais mouiller ou rincer le **filtre HEPA** avec de l'eau.

### Signes d'usure des filtres

Augmentation du bruit, diminution du débit d'air, filtres bouchés, mauvaises odeurs. Le filtre HEPA doit être remplacé par un nouveau lorsqu'il passe du blanc au gris ou au noir. Si le filtre HEPA reste blanc, cela signifie qu'il n'est PAS nécessaire de le remplacer.



### Comment commander des filtres :

Contactez le service après-vente de Clean Air Optima au numéro de tél. suivant :  
+ 31 (0) 742670145 ou visitez notre boutique en ligne à l'adresse :

<https://www.cleanairoptima.com/-accessoires>

## Dépannage

Vous trouverez ci-dessous un guide de dépannage destiné à vous aider à résoudre tous les problèmes que vous pourrez rencontrer lors de l'utilisation du purificateur d'air **Clean Air Optima CA-502 Desktop Smart**.

Problème	Cause possible	Solution
L'appareil ne s'allume pas.	Le cordon d'alimentation ne se raccorde pas correctement.  Le cordon d'alimentation est cassé.  Le filtre n'est pas installé correctement.	Raccordez correctement la fiche d'alimentation sur la prise de courant.  Remplacez le cordon d'alimentation.  Installez le filtre correctement. Voir le chapitre : Mode d'utilisation.
La sortie d'air dégage de mauvaises odeurs.	Le filtre emprisonne trop d'odeurs ou de poussières.  La durée de vie des filtres est dépassée.	Remplacez les filtres composites.  Remplacez les filtres composites.
Performances de purification médiocres.	Vérifiez si le taux d'humidité du local n'est pas trop faible.  L'appareil est placé dans un local non ventilé ou est entouré d'obstacles.	Augmentez le taux d'humidité.  Éliminez les obstacles.
Aucun débit d'air ne sort de l'appareil.	L'entrée ou la sortie d'air est obstruée.	Éliminez les obstacles.
<b>L'appareil ne fonctionne pas avec l'application Clean Air Optima®.</b>	Le Smartphone ou la tablette n'est pas connecté au réseau WiFi.  L'appareil n'est pas connecté au réseau.	Allumez l'appareil et réinitialisez le WiFi sur l'appareil en appuyant sur le bouton 'WiFi' veille pendant 3 secondes jusqu'à ce que le témoin du WiFi clignote rapidement. Ensuite, suivez les étapes 3 à 10 du chapitre <b>Fonctionnement avec l'application Clean Air Optima®</b> .
Le mot de code EO sera affiché à l'écran.	Le capteur PM2,5 ne fonctionne pas.	L'appareil est connecté à l'appareil de trekking et le contact d'arrêt est établi.  La fiche est connectée au contact d'arrêt et l'appareil est connecté à l'appareil.

Problème	Cause possible	Solution
Code FFF à nouveau rédigé sur l'afficheur.	Le moteur est bloqué ou arrêté.	L'appareil est connecté à l'appareil de trekking et le contact d'arrêt est établi. La fiche est connectée au contact d'arrêt et l'appareil est connecté à l'appareil.
Le code EEE est inscrit sur l'écran.	Le capteur PM2,5 dans le moteur ne fonctionne pas.	L'appareil est connecté à l'appareil de trekking et le contact d'arrêt est établi. La fiche est connectée au contact d'arrêt et l'appareil est connecté à l'appareil.

## AVERTISSEMENT !

Si les solutions recommandées ci-dessus ne fonctionnent pas, veuillez contacter le support technique Clean Air Optima à l'aide du numéro de téléphone de votre pays. N'essayez pas de démonter, de remonter ou de réparer l'appareil, car cela pourrait avoir pour effet d'annuler la garantie.

## Spécifications

Modèle	CA-502 Desktop Smart
Pour des locaux jusqu'à	20 m <sup>2</sup> / 50 m <sup>3</sup> / 215 ft <sup>2</sup>
Tension nominale de l'adaptateur	Entrée: 100V - 240V~, 50/ 60Hz, 0.4A ou 1.0A Sortie: 12V $\overline{\text{---}}$ , 1.5A
Puissance nominale	10 W/ 12V $\overline{\text{---}}$
Capacité du ventilateur (CADR)	110 m <sup>3</sup> /h
Performances du filtre	99,97 %
Niveau sonore	10 dB(A) Mode veille silencieux / 15 dB(A) Faible 1 / 25 dB(A) Moyen 2 / 50 dB(A) Haut 3
Dimensions	190 x 190 x 235 mm
Poids	1,5 kg
Couleur	Gris clair/blanc
Conforme à la réglementation de l'UE	CE / WEEE / RoHS

Renseignez-vous auprès de votre détaillant ou de votre municipalité afin d'obtenir des informations mises à jour sur l'évacuation de l'emballage et de l'appareil.





## Service après-vente

### Certificat de garantie du purificateur d'air Clean Air Optima CA-502 Desktop Smart.

Date d'achat : .....

Nom du client : .....

Adresse : .....

Téléphone : .....

E-mail : .....

Nom du revendeur : .....

Adresse : .....

1. Veuillez remplir intégralement le présent certificat de garantie. Envoyez-le avec la facture et l'appareil, port payé et dans l'emballage d'origine, à votre distributeur. Assurez-vous d'inclure l'affranchissement de retour approprié pour le colis.
2. Veuillez joindre une brève description du dommage, de la panne ou du dysfonctionnement, ainsi que les circonstances à l'origine de ces problèmes.

Le purificateur d'air **Clean Air Optima CA-502 Desktop Smart** est soumis à des procédures d'essai strictes avant de quitter l'usine. Si, dans un délai de 2 ans à compter de la date d'achat, le produit ne fonctionne pas conformément aux spécifications en raison de défauts d'usine, l'acheteur a droit à la réparation ou au remplacement gratuit des pièces défectueuses sur simple présentation de cette garantie (à condition que le dysfonctionnement ou les dommages à l'appareil et/ou à ses éléments soient survenus dans des conditions normales de fonctionnement). Ce qui est couvert par la garantie : Toutes les pièces défectueuses, en raison d'un défaut de matériel ou de fabrication. Durée : deux ans à compter de la date d'achat. Ce que nous ferons : Réparer ou remplacer toute pièce défectueuse.

Exclusions : Remplacement régulier des filtres.

#### Autres conditions

Les dispositions de la présente garantie remplacent toute autre garantie écrite, expresse ou implicite, écrite ou orale, y compris toute garantie de qualité marchande ou d'adaptation à un usage particulier. La responsabilité maximale du fabricant ne peut pas excéder le prix d'achat réel que vous avez payé pour le produit. En aucun cas, le fabricant ne pourra être tenu responsable de dommages spéciaux, accidentels, conséquents ou indirects. Cette garantie ne couvre pas les défaillances résultant d'une utilisation ou d'un entretien inapproprié ou déraisonnable, d'un montage incorrect, d'un accident ou de catastrophes naturelles, d'un emballage inadéquat, ou d'une falsification, altération ou modification non autorisée, tels que déterminés à notre seule discrétion. La présente garantie est nulle si l'étiquette portant le numéro de série a été retirée ou effacée.

# Merci de votre lecture !



Faites-nous part de vos commentaires sur le purificateur d'air Clean Air Optima CA-502 Desktop Smart sur : [www.cleanairoptima.com](http://www.cleanairoptima.com).



Pour les questions fréquemment posées au sujet du CA-502 Desktop Smart, accédez à : [www.cleanairoptima.com](http://www.cleanairoptima.com) et recherchez le CA-502 Desktop Smart.



Téléchargez le mode d'emploi au format PDF sur : [www.cleanairoptima.com/info/manuals](http://www.cleanairoptima.com/info/manuals).



Regardez toutes les vidéos d'animation des produits Clean Air Optima sur : [www.youtube.com](http://www.youtube.com).

**Clean Air Optima International B.V.** | David Ricardostraat 9-7 / 9-9 | 7559 SH Hengelo (ov)  
Pays-Bas | Téléphone : +31 (0) 74 - 2670145

**Clean Air Optima Germany GmbH** | Enschedestraße 14 | 48529 Nordhorn | Allemagne  
Téléphone : +49 (0) 5921 879-121

**E-mail :** [info@cleanairoptima.com](mailto:info@cleanairoptima.com)

**Site Web :** [www.cleanairoptima.com](http://www.cleanairoptima.com)

## Español

### Le agradecemos la compra del purificador de aire Clean Air Optima CA-502 Desktop Smart.

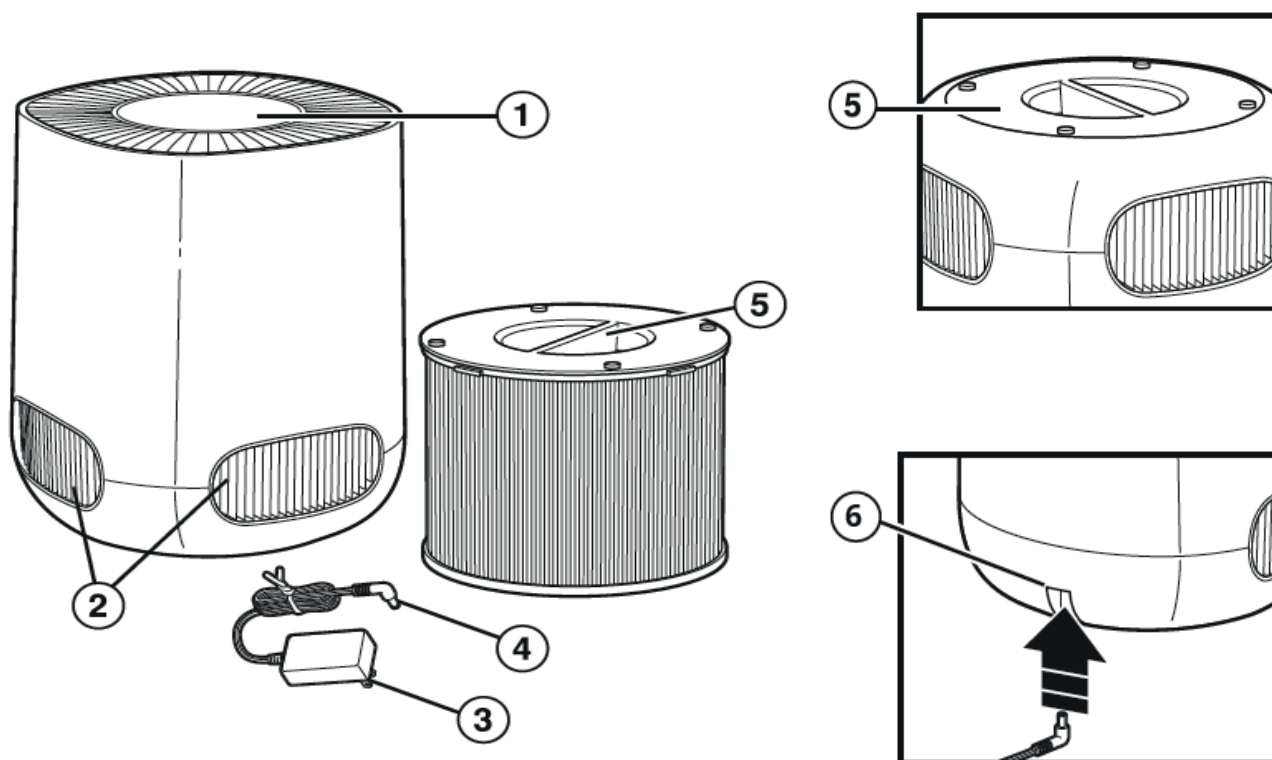
Este eficiente y eficaz producto le proporcionará muchos años de aire interior saludable.

Cuando utilice este aparato eléctrico, cumpla siempre todas las medidas de seguridad para su correcto funcionamiento. En estas instrucciones se explican las medidas de seguridad que debe respetar durante su funcionamiento, las cuales han sido concebidas para evitar daños personales y en el propio aparato.

### Antes de utilizar su nuevo purificador de aire Clean Air Optima CA-502 Desktop Smart.

Retire primero los sellos de los filtros (consulte la página 52). Modo de empleo

### CA-502 Desktop Smart / Descripción del aparato



1. Panel de control
2. Iluminación (en 3 lados)
3. Cable de corriente
4. Adaptador de corriente
5. Filtro True HEPA H13 y filtro pré
6. Abertura del adaptador.

## Advertencia de seguridad

Cumpla estas instrucciones de seguridad siempre que utilice el aparato. Siga estos pasos para disminuir al mínimo el riesgo de sufrir daños personales a causa de, por ejemplo, descargas eléctricas o incendios.

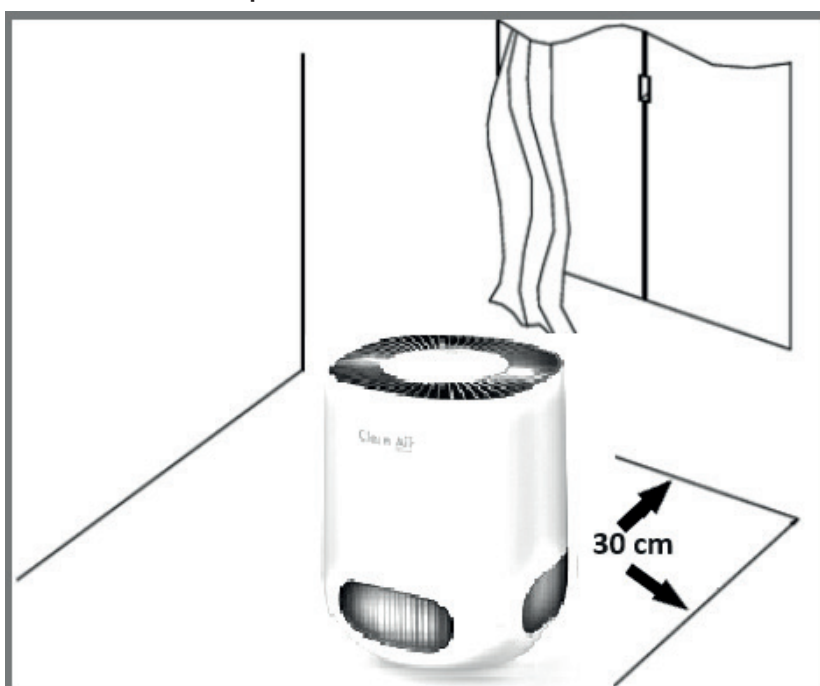
1. Solo para uso en interiores. No utilizar ni guardar al aire libre.
2. Este dispositivo puede ser utilizado por niños a partir de 8 años y personas con capacidades físicas, sensoriales o mentales reducidas o con falta de experiencia y conocimiento si han recibido supervisión o instrucciones sobre el uso del dispositivo de forma segura y comprenden los peligros. Los niños no deben jugar con el dispositivo. La limpieza y el mantenimiento del usuario no deben ser realizados por niños sin supervisión.
3. No utilice el aparato si el cable eléctrico o el propio aparato presentan algún daño visible. En caso de daños, no repare el aparato por sus propios medios. No mueva el aparato tirando del cable. Si el cable de alimentación ha sufrido algún daño, para evitar descargas eléctricas o incendios debe ser sustituido por un técnico autorizado.
4. Las reparaciones solo pueden ser llevadas a cabo por personal técnico autorizado. Para evitar descargas eléctricas o incendios, no intente reparar el aparato por sus propios medios.
5. Cuando no vaya a utilizar el aparato, desenchufe siempre el cable de alimentación.
6. Utilice únicamente los cables y adaptadores de corriente suministrados. Asegúrese de que la tensión del adaptador coincide con la tensión de la red local.
7. Desenchufe el cable cuando no utilice el aparato o cuando limpie sus piezas internas o externas.
8. Por motivos de seguridad, coloque el aparato en una posición horizontal estable. No lo mueva mientras esté en uso.
9. No utilice el aparato en habitaciones donde se guarden líquidos o gases inflamables, ni cerca de fuentes de calor o en habitaciones con excesiva humedad, como los cuartos de baño.
10. Para evitar averías, nunca inserte otros objetos en el armazón del aparato.
11. Nunca cubra la rejilla de entrada ni de salida de aire.
12. Nunca desmonte ni sustituya las piezas internas del aparato.
13. Cuando el aparato esté en funcionamiento, no toque las rejillas de entrada y salida de aire, y no introduzca el asa ni ningún objeto en la salida de aire, con objeto de evitar lesiones al usuario o daños al propio aparato.
14. Para mantener la rejilla de entrada y salida de aire del purificador de aire sin obstáculos, no coloque objetos encima o cerca de la cubierta frontal.
15. No deposite objetos pesados sobre el aparato.
16. Evite los lugares expuestos a la luz solar directa. El aparato podría decolorarse.
17. Nunca sumerja el aparato en agua u otros líquidos.
18. No toque el cable de alimentación con las manos mojadas.
19. Limpie el prefiltro regularmente, si tiene mucho polvo, se producirá un efecto purificador deficiente y el consumo de energía aumentará, lo que puede causar fallos.
20. El entorno normal de funcionamiento del aparato está entre 10 y 45 grados °C.
21. Utilice, mantenga y limpie el aparato conforme a las instrucciones del manual.

## Modo de empleo

No utilice el aparato sin el filtro.

Inserte el adaptador en la abertura del adaptador en la parte posterior del purificador de aire y conéctelo al tomacorriente de pared. Escuchará un pitido y la luz indicadora de calidad del aire se encenderá y luego se apagará.

El aparato debe colocarse a una distancia mínima de 30 cm de las paredes y los muebles para obtener una buena circulación de aire. Asegúrese de que las entradas y salidas de aire no estén bloqueadas.



## Panel de control / Instrucciones de funcionamiento



### **1 Botón de encendido/apagado**

Con este botón se enciende y se apaga el aparato (por defecto, al encenderlo se sitúa en modo Auto).

La luz indicadora de calidad del aire en la parte frontal del purificador de aire se iluminará en diferentes colores a medida que el sensor PM2.5 evalúa la calidad del aire. Una vez completado, el color reflejará la calidad del aire actual. Consulte el cuadro para conocer los niveles de calidad del aire.

### **2 Velocidad**

Al pulsar el botón "Speed" se cambia la velocidad del ventilador. Hay varias velocidades de ventilador disponibles. Puede elegir el modo automático, velocidad 1, 2 o 3. Toque el botón de velocidad del ventilador repetidamente para seleccionar el modo. En la opción **Auto**, el sensor inteligente integrado (Intelligent Particle Sensor™) mide y regula automáticamente la calidad del aire. El ventilador, controlado por un sensor, anticipa automáticamente hasta qué punto el aire interior está contaminado por partículas de tamaño PM2.5 y se adapta a las 3 velocidades diferentes.

La correspondencia con el modo automático se muestra a continuación:

Si el valor de PM2.5 está entre 0 y 35, la luz indicadora de velocidad mostrará un 1.

Si el valor de PM2.5 está entre 36 y 55, la luz indicadora de velocidad mostrará un 2.

Si el valor de PM2.5 está entre 56 y 999, la luz indicadora de velocidad mostrará un 3.

### **3 Modo de reposo**

Cuando se activa el modo de reposo, la pantalla se apaga. Solo quedará encendida la luz del modo de reposo. La velocidad del ventilador va a la configuración más baja.

### **4 Seguridad para niños**

El sistema de seguridad para niños protege contra el uso no deseado del aparato.

El bloqueo para niños se activa/desactiva manteniendo pulsado el botón de reposo durante 3 segundos hasta que suene un pitido.



## 5 Función aniónica

La función aniónica se activa al encender el aparato y se desactiva al apagarlo. La función aniónica se puede activar/desactivar en la aplicación.



## 6 Reemplazo de filtro

El **purificador de aire Clean Air Optima CA-502 Desktop Smart** está equipado con un mecanismo de vigilancia de la vida útil de el filtro que indica que deben ser sustituidos después de 1400 horas de trabajo. Para mostrar que es necesario reemplazar el Filtro True HEPA H13 , la luz indicadora se encenderá y el dispositivo emitirá una luz indicadora



de doble cero .Reinicie el temporizador del filtro presionando y manteniendo presionado el botón de encendido/apagado durante aproximadamente 3 segundos. Si la luz indicadora se apaga, el temporizador se ha reiniciado exitosamente.



## 7 WiFi

Indicador WiFi.

## Monitor digital

El monitor digital de la parte superior del purificador de aire CA-502 Desktop Smart indica automáticamente y con exactitud la calidad del aire actual midiendo el nivel de medición de partículas PM2.5 en interiores.

Particle measurement (PM 2.5)	Air quality
0-35	Green - Good
36-55	Yellow - Moderate
56-999	Red - Bad

Las partículas de 10 um (PM10) y más pequeñas, de 2,5 um (PM2.5), pueden entrar en los pulmones; de hecho constituyen las 10 principales amenazas para la salud humana. Estas pequeñas partículas surgen en acciones típicas de los ambientes interiores, como cocinar, hornear, freír, ahumar, así como en la calefacción, y también existen en grandes cantidades en el aire interior debido al transporte, la industria, la construcción, el material biológico (polen, bacterias, ácaros y virus), las partículas importadas de otros lugares, como los gases de escape (de los aviones) y las erupciones volcánicas.

Los alérgenos como el polen y el polvo amenazan de manera grave y duradera la salud de millones de personas cada primavera, y su número aumenta constantemente.

### Medición de la humedad relativa y la temperatura

Aspectos importantes para una purificación eficaz del aire: humedad relativa entre 45 - 60 % y temperatura ambiente entre 20 y 23 °C.

## Funcionamiento con la aplicación Clean Air Optima<sup>®</sup>

### Conectividad

#### Compatibilidad con smartphone y tableta:

dispositivos iPhone, iPad y Android

#### El aparato se conecta a través de WiFi con la aplicación:



CleanAirOptima

**Atención:** El enrutador debe configurarse en la banda ancha de 2,4 GHz. Si el enrutador está configurado en 5,0 GHz, es imposible establecer una conexión.

### Configurar la conexión WiFi

1. Descargue e instale la aplicación "CleanAirOptima" en App Store o Google Play Store.
2. Cree una cuenta e inicie sesión.
3. Enchufe el aparato a la corriente y enciéndalo. Después de encenderlo, mantenga presionado el botón WiFi durante 3 segundos, la luz indicadora de WiFi parpadeará rápidamente. La conexión se puede iniciar solo cuando la luz indicadora de WiFi parpadea. La luz del círculo rojo debería parpadear.



4. El router debe estar configurado en la banda ancha de 2,4 GHz. Si el router está configurado a 5,0 GHz, no podrá establecerse ninguna conexión.
5. Asegúrese de que está activado el Bluetooth en su smartphone.
6. Asegúrese de que su smartphone o tableta esté conectado correctamente a su red WiFi.
7. Abra la aplicación 'CleanAirOptima' y haga clic en 'Añadir dispositivo' . Su dispositivo aparece en la lista y puede seleccionarlo. De lo contrario, elija 'Escaneo automático'. Siga las instrucciones de la pantalla para conectar el dispositivo a su red.
8. Seleccione Clean Air Optima<sup>®</sup> en la aplicación y siga las instrucciones de esta.
9. Cuando el aparato esté sincronizado, el indicador WiFi  quedará encendido.
10. Una vez finalizada la configuración, podrá usar el aparato mediante la aplicación Clean Air Optima<sup>®</sup>.

#### Nota:

- Si su red predeterminada ha cambiado, restablezca la conexión WiFi, siguiendo los pasos del 3 al 8 en la sección 'Configurar conexión WiFi'.
- Si desea emparejar varios aparatos con su smartphone o tableta, debe hacerlo uno tras otro.
- Asegúrese de que la distancia entre su smartphone o tableta y el aparato sea inferior a 5 metros y que no haya obstáculos. También asegúrese de estar en la misma habitación que el aparato.





## **Restablecer la función WiFi:**

- Reinicie el WiFi presionando el botón 'WiFi' durante 3 segundos; el indicador WiFi parpadeará rápidamente.

## **Conecte los dispositivos a varios teléfonos**

Nota: En primer lugar, la otra persona debe instalar la aplicación Clean Air Optima<sup>®</sup> en su teléfono y crear una nueva cuenta.

### **Comparta el dispositivo con acceso limitado:**

Puede optar por compartir un dispositivo con varias personas.

Esta persona tendrá entonces acceso, pero no podrá gestionar todos los ajustes.

Siga las instrucciones que aparecen a continuación para compartir el dispositivo con varias personas:

1. Vaya al dispositivo correspondiente.
2. Vaya al lápiz o a los tres puntos de la parte superior derecha.
3. Seleccione "Compartir dispositivo".
4. Seleccione "Añadir uso compartido".
5. Elija el método para compartir, por ejemplo, por correo electrónico, whatsapp, sms, etc. y continúe.
6. El dispositivo aparecerá automáticamente en la aplicación Clean Air Optima<sup>®</sup> con la otra cuenta.

### **Comparta el dispositivo con acceso total:**

Puede añadir una o varias personas a la gestión de su casa.

Dichas personas tendrán entonces acceso a todos los dispositivos que ya están vinculados y tendrán todos los derechos y permisos. Usted seguirá siendo siempre el administrador principal.

Siga las siguientes instrucciones para añadir a alguien a la gestión de su casa:

1. Abra la aplicación Clean Air Optima<sup>®</sup> y vaya a "Yo".
2. A continuación, elija "Gestión de la casa".
3. Elija "Crear casa".
4. Seleccione la "Casa" correspondiente y "Añadir miembro".
5. Elija el método para compartir, por ejemplo, por correo electrónico, whatsapp, sms, etc. y continúe.
6. La "Casa" correspondiente aparecerá automáticamente en la aplicación Clean Air Optima<sup>®</sup> de la persona con la que se haya compartido la "Casa".
7. En la otra cuenta:  
Vaya a la pantalla de inicio desde la aplicación Clean Air Optima<sup>®</sup>. Vaya a la parte superior izquierda y seleccione la opción "Casa".

## Mantenimiento

### Limpeza del exterior del purificador de aire

1. Apague el aparato y desenchufe el cable.
2. Utilice un paño suave y húmedo para limpiar el aparato de polvo y suciedad.
3. Asegúrese de que **no hay agua** en el aparato.

### Almacenamiento del purificador de aire Clean Air Optima<sup>®</sup>

1. Desenchufe el cable del aparato y recoja el cable de alimentación.
2. Retire y limpie los filtros. Después de limpiarlos, vuelva a colocar los filtros en el aparato.
3. Se recomienda envolver el filtro y la unidad en una bolsa de plástico y colocarlos en un lugar fresco y seco. Evite la humedad, ya que puede dañar el filtro True HEPA.

## Sustitución de los filtros

El **purificador de aire Clean Air Optima CA-502 Desktop Smart** está equipado con un mecanismo de vigilancia de la vida útil del filtro que indica que deben ser sustituidos después de 1400 horas de trabajo. Para mostrar que es necesario reemplazar el filtro **HEPA H13**, la luz indicadora se encenderá y el dispositivo emitirá una luz indicadora de doble cero



.Reinicie el temporizador del filtro presionando y manteniendo presionado el botón de encendido/apagado durante aproximadamente 3 segundos. Si la luz indicadora se apaga, el temporizador se ha reiniciado exitosamente.

**Dependiendo del uso, el filtro HEPA H13 tiene una vida útil de aprox. 4-5 meses.**

### Limpeza de los filtros

El mejor efecto se consigue limpiando los filtros una vez al mes. Si el aire interior está muy contaminado, puede ser necesaria una mayor limpieza.

Limpie el **prefiltro** y el **filtro HEPA** con un cepillo o con una aspiradora. De esta manera pueden eliminarse del filtro las partículas de polvo más grandes como pelusa, pelo y caspa de las mascotas.

**Atención!** No moje ni enjuague nunca el filtro HEPA H13 con agua.

### Signos de filtros desgastados

Mayor ruido, reducción de la circulación del aire, filtros congestionados, aumento de olores. El filtro debe ser reemplazado por uno nuevo cuando el filtro HEPA H13 cambie su color de blanco a gris o negro. Si el filtro HEPA H13 permanece blanco, NO es necesario reemplazarlo.



### Cómo pedir filtros:

Póngase en contacto con el Servicio de atención al cliente de Clean Air Optima en el tño. + 31 (0) 742670145 o visite nuestra tienda virtual:

<https://www.cleanairoptima.com/-accessoires>

## Solución de problemas

A continuación, le ofrecemos una guía que le ayudará a resolver cualquier problema que pueda tener con la utilización del **purificador de aire Clean Air Optima CA-502 Desktop Smart**.

Problema	Causa posible	Solución
El aparato no se enciende.	El cable de alimentación no está enchufado correctamente. El cable de alimentación está roto. El filtro no está colocado correctamente.	Enchufe el cable de alimentación correctamente en la toma de corriente. Cambie el cable de alimentación. Coloque el filtro correctamente. Consulte la sección: Modo de empleo.
La salida de aire huele mal.	El filtro atrapa demasiado olor o polvo. La vida útil de los filtros ha expirado.	Sustituya los filtros compuestos. Sustituya los filtros compuestos.
Purificación deficiente.	Compruebe si la habitación no tiene suficiente humedad. El aparato está situado en una habitación sin ventilación o rodeado de obstáculos.	Aumente la humedad. Despeje el lugar de obstáculos.
No sale aire del aparato.	La entrada o la salida de aire está bloqueada.	Despeje el lugar de obstáculos.
El aparato no funciona con la aplicación Clean Air Optima®.	El smartphone o la tableta no están conectados a la red WiFi. El dispositivo no tiene conexión a la red.	Apague el dispositivo y reinicie el WiFi en el mismo presionando el botón de 'WiFi' de reposo durante 5 segundos; el indicador WiFi parpadeará rápidamente. A continuación siga los pasos 3 a 10 de la <b>sección Funcionamiento con la aplicación Clean Air Optima®</b> .
El código EO se mostrará en la pantalla.	El sensor PM2.5 no funciona.	El dispositivo se conecta al dispositivo de trekking y se realiza el contacto de parada. El enchufe está conectado al contacto de parada y el dispositivo está conectado al dispositivo.

Problema	Causa posible	Solución
Código FFF redactado nuevamente en display.	El motor está bloqueado o parado.	El dispositivo se conecta al dispositivo de trekking y se realiza el contacto de parada. El enchufe está conectado al contacto de parada y el dispositivo está conectado al dispositivo.
El código EEE aparece redactado en la pantalla.	El sensor PM2.5 en el motor no funciona.	El dispositivo se conecta al dispositivo de trekking y se realiza el contacto de parada. El enchufe está conectado al contacto de parada y el dispositivo está conectado al dispositivo.

## ATENCIÓN!

Si las soluciones propuestas no resuelven el problema, póngase en contacto con el servicio técnico de Clean Air Optima llamando al número de teléfono de su región. No intente desmontar, volver a montar o reparar el aparato, ya que la garantía quedaría invalidada.

## Características técnicas

Modelo	CA-502 Desktop Smart
Para habitaciones de hasta	20 m <sup>2</sup> / 50 m <sup>3</sup> / 215 ft <sup>2</sup>
Tensión nominal del adaptador	Entrada: 100V - 240V~, 50/ 60Hz, 0.4A o 1.0A Salida: 12V $\overline{\text{---}}$ , 1.5A
Potencia nominal	10 W, 12V $\overline{\text{---}}$
Capacidad del ventilador (CADR)	110 m <sup>3</sup> /h
Rendimiento del filtro	99,97 %
Nivel de ruido	10dB (A) Modo de reposo silencioso / 15dB (A) Bajo 1 / 25dB (A) Medio 2 / 50dB (A) Elevado 3
Dimensiones	190 x 190 x 235 mm
Peso	1,5 kg
Color	Gris claro / blanco
Conforme con las normas de la UE	CE / WEEE / RoHS

Solicite al vendedor del aparato o a su municipio la información más reciente sobre la correcta eliminación del embalaje y del aparato.



## Servicio

### Certificado de garantía para el purificador de aire Clean Air Optima CA-502 Desktop Smart.

Fecha de compra: .....

Nombre del cliente: .....

Dirección: .....

Teléfono: .....

Correo electrónico: .....

Nombre del vendedor: .....

Dirección: .....

1. Rellene todos los datos de este certificado de garantía. Envíelo a su distribuidor (junto con la factura y el aparato) con franqueo pagado y en el embalaje original. No olvide incluir el franqueo de retorno pertinente para el paquete.
2. Incluya una descripción breve de los daños, la anomalía o el fallo de funcionamiento, así como las circunstancias en las que ocurrieron estos problemas.

El **purificador de aire Clean Air Optima CA-502 Desktop Smart** se somete a rigurosos procedimientos de prueba antes de salir de fábrica. Si dentro del plazo de dos años desde la fecha de compra, el producto no funciona conforme a las especificaciones, por defectos de fábrica, el comprador tiene derecho a una reparación gratuita o a la sustitución de las piezas con la presentación de esta garantía (siempre que el defecto de funcionamiento o los daños del aparato o sus piezas se hayan producido haciendo un uso normal del mismo). Cobertura de la garantía: todas las piezas con defectos de materiales o mano de obra. Duración: dos años a partir de la fecha de compra. Nuestra tarea: reparar o sustituir las piezas defectuosas.

Exclusiones: filtros de repuesto regulares.

#### Otras condiciones

Las disposiciones de esta garantía sustituyen a cualquier otra garantía escrita, ya sea explícita o implícita, por escrito u oral, incluida cualquier garantía de comerciabilidad o idoneidad para un propósito concreto. La responsabilidad máxima del fabricante no podrá sobrepasar el precio de compra pagado por el producto. En ningún caso el fabricante podrá hacerse responsable de daños especiales, incidentales, resultantes o indirectos. Esta garantía no cubre los defectos resultantes del uso o mantenimiento incorrecto o poco razonable, montaje defectuoso, accidente, catástrofes naturales, embalaje incorrecto o manipulación, alteración o modificación no autorizada, a nuestro criterio exclusivo. Esta garantía quedará anulada si se despegar o altera la etiqueta del número de serie.

# ¡Gracias por su atención!



Comparta sus opiniones sobre el purificador de aire Clean Air Optima CA-502 Desktop Smart en [www.cleanairoptima.com](http://www.cleanairoptima.com)



Puede consultar las preguntas frecuentes sobre el CA-502 Desktop Smart en [www.cleanairoptima.com](http://www.cleanairoptima.com) (busque CA-502 Desktop Smart).



Descargue el manual de instrucciones en PDF aquí: [www.cleanairoptima.com/info/manuals](http://www.cleanairoptima.com/info/manuals)



Puede ver vídeos del producto Clean Air Optima en [www.youtube.com](http://www.youtube.com)

**Clean Air Optima International B.V.** | David Ricardostraat 9-7 / 9-9 | 7559 SH Hengelo (ov)  
Países Bajos | Teléfono: +31 (0) 74 - 2670145

**Clean Air Optima Germany GmbH** | Enschedestraße 14 | 48529 Nordhorn | Alemania  
Teléfono: +49 (0) 5921 879-121

**E-mail:** [info@cleanairoptima.com](mailto:info@cleanairoptima.com)

**Internet:** [www.cleanairoptima.com](http://www.cleanairoptima.com)

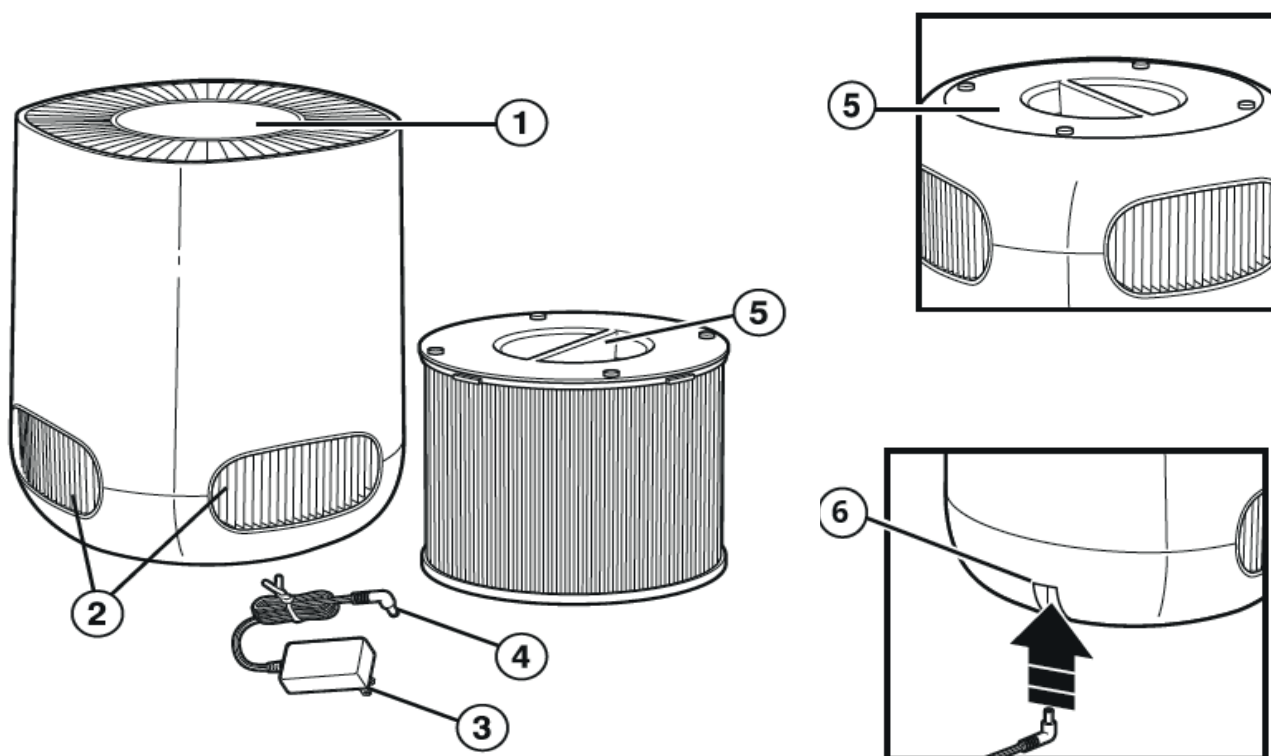
## Polski

**Dziękujemy za zakup oczyszczacza powietrza Clean Air Optima CA-502 Desktop Smart.** Życzymy wieloletniego korzystania z tego wydajnego i skutecznego produktu, który zapewnia zdrowe powietrze w pomieszczeniach.

W celu zapewnienia prawidłowego działania niniejszego urządzenia elektrycznego podczas jego użytkowania muszą być przestrzegane wszystkie środki ostrożności. W niniejszej instrukcji obsługi opisano zasady bezpieczeństwa, których należy przestrzegać podczas użytkowania. Mają one na celu zapobieganie urazom i uniknięcie uszkodzenia urządzenia.

**Przed użyciem nowego oczyszczacza powietrza Clean Air Optima CA-502 Desktop Smart.** Najpierw zdjąć uszczelkę z filtrów, patrz strona 64. Sposób użytkowania

### CA-502 Desktop Smart / Opis urządzenia



1. Panel sterowania
2. Oświetlenie (z trzech stron)
3. Przewód zasilający
4. Zasilacz
5. Filtr True HEPA H13 i filtr wstępny
6. Otwór adaptera

## Ostrzeżenia dotyczące bezpieczeństwa

Urządzenia można używać wyłącznie zgodnie z tymi instrukcjami bezpieczeństwa. Wykonać następujące czynności, aby zminimalizować ryzyko odniesienia obrażeń ciała, na przykład spowodowanych porażeniem prądem elektrycznym lub pożarem.

1. Urządzenie jest przeznaczone tylko do użytku w pomieszczeniach. Nie używać ani nie przechowywać na zewnątrz.
2. Z tego urządzenia mogą korzystać dzieci w wieku od 8 lat i starsze oraz osoby o ograniczonych zdolnościach fizycznych, sensorycznych lub umysłowych lub nieposiadające doświadczenia i wiedzy, jeśli znajdują się pod nadzorem lub zostały poinstruowane w zakresie bezpiecznego korzystania z urządzenia i rozumieją zagrożenia zaangażowany. Dzieciom nie wolno bawić się urządzeniem. Czyszczenie i konserwacja nie mogą być wykonywane przez dzieci bez nadzoru.
3. Jeśli widoczne są uszkodzenia przewodu zasilającego lub urządzenia, nie należy z niego korzystać. W przypadku uszkodzenia urządzenia nie należy naprawiać go samodzielnie. Nigdy nie należy ciągnąć urządzenia za przewód. Jeżeli przewód zasilający jest uszkodzony, musi zostać wymieniony przez autoryzowanego serwisanta, aby uniknąć porażenia prądem lub pożaru.
4. Napraw mogą dokonywać wyłącznie autoryzowani pracownicy serwisu. Nie próbować samodzielnie naprawiać urządzenia, ponieważ grozi to porażeniem prądem lub pożarem.
5. Zawsze odpinać wtyczkę z kabla, gdy urządzenie nie jest używane.
6. Stosuj wyłącznie zasilacze i przewody dostarczone w zestawie. Sprawdź, czy napięcie zasilacza odpowiada napięciu w sieci miejscowej
7. Kiedy urządzenie nie jest użytkowane albo podczas czyszczenia jego wewnętrznych lub zewnętrznych części, należy odłączyć wtyczkę.
8. Dla bezpieczeństwa ustawić urządzenie stabilnie i poziomo. Nie przesuwaj go podczas eksploatacji.
9. Nie należy użytkować urządzenia w pomieszczeniach, w których przechowywane są łatwopalne ciecze lub gazy, w pobliżu źródeł ciepła lub w bardzo wilgotnych pomieszczeniach, takich jak łazienka.
10. Nie wolno wkładać żadnych przedmiotów do korpusu urządzenia, ponieważ grozi to uszkodzeniem.
11. Nie wolno zasłaniać kratki wlotu i wylotu powietrza.
12. Nie wolno rozkładać ani wymieniać części wewnętrznych urządzenia.
13. Jeżeli urządzenie działa, nie wolno dotykać kratki wlotu i wylotu powietrza ani nie należy wkładać uchwytów bądź innych obiektów w wylot powietrza, aby uniknąć obrażeń ciała lub uszkodzeń oczyszczacza powietrza.
14. Aby nie blokować kratki wlotu i wylotu powietrza oczyszczacza powietrza, nie wolno układać przedmiotów nad pokrywą przednią oczyszczacza powietrza lub w jej pobliżu.
15. Nie stawiać ciężkich przedmiotów na urządzeniu.
16. Unikać miejsc narażonych na bezpośrednie nasłonecznienie. Zachodzi ryzyko odbarwienia urządzenia.
17. Nie zanurzać urządzenia w wodzie ani innych cieczach.
18. Nie dotykać przewodu zasilającego mokrymi rękami.
19. Regularnie czyścić filtr wstępny – jeżeli filtr wstępny jest nasycony pyłem, spowoduje to słaby efekt czyszczenia. Zużycie energii zwiększy się i może doprowadzić do awarii.
20. Normalne warunki użytkowania urządzenia to od 10 °C do 45 °C.
21. Użytkowanie, konserwowanie i czyszczenie urządzenia należy realizować zgodnie z zaleceniami w niniejszej instrukcji obsługi.

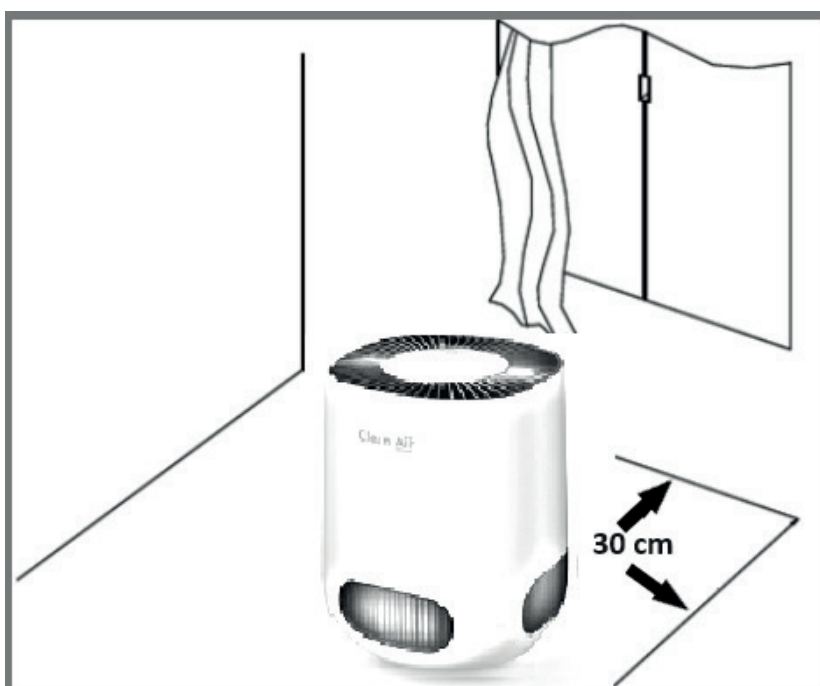


## Sposób użytkowania

Nie używać urządzenia, gdy wyjęto z niego filtr.

Włóż adapter do otworu adaptera z tyłu oczyszczacza powietrza i podłącz go do gniazdka ściennego. Usłyszysz jeden sygnał dźwiękowy, a kontrolka jakości powietrza zaświeci się, a następnie zgaśnie.

Urządzenie należy umieścić w odległości przynajmniej 30 cm od ścian i mebli, aby uzyskać odpowiedni przepływ powietrza. Upewnić się, że wloty i wyloty powietrza nie są zablokowane.



## Panel sterowania / instrukcja obsługi



### 1 Przycisk zasilania

Naciśnięcie przycisku zasilania powoduje włączenie i wyłączenie urządzenia. (Trybem domyślnym po włączeniu urządzenia jest tryb Automatyczny).

Kontrolka jakości powietrza z przodu oczyszczacza powietrza będzie świecić różnymi kolorami, gdy czujnik PM<sub>2,5</sub> ocenia jakość powietrza. Po zakończeniu kolor będzie odzwierciedlał aktualną jakość powietrza. Zobacz tabelę poziomów jakości powietrza..



### 2 Prędkość

Po naciśnięciu przycisku „Prędkość” zmienia się poziom prędkości. Dostępnych jest kilka prędkości wentylatora. Możesz wybrać tryb automatyczny, prędkość 1, 2 lub 3. Dotykaj przycisku prędkości wentylatora, aby wybrać tryb.

W ustawieniu **Automatycznym** zintegrowany czujnik inteligentny (Intelligent Particle Sensor™) automatycznie mierzy i reguluje jakość powietrza. Prędkość wentylatora sterowanego czujnikiem jest automatycznie przełączana w jeden z 3 trybów, odpowiednio do stopnia zanieczyszczenia powietrza w pomieszczeniu przez cząstki PM<sub>2,5</sub>.

Zgodność z trybem automatycznym jest pokazana w następujący sposób:

Jeśli wartość PM<sub>2,5</sub> mieści się w przedziale od 0 do 35, kontrolka prędkości pokaże 1.

Jeśli wartość PM<sub>2,5</sub> mieści się w przedziale od 36 do 55, kontrolka prędkości pokaże 2.

Jeśli wartość PM<sub>2,5</sub> mieści się w przedziale od 56 do 999, kontrolka prędkości pokaże 3.



### 3 Tryb uśpienia

Gdy tryb uśpienia jest aktywny, wyświetlacz wyłącza się. Świeci tylko wskaźnik trybu uśpienia. Prędkość wentylatora spada do najniższego ustawienia.



### 4 Blokada rodzicielska

Blokada rodzicielska chroni przed niepożądanym użyciem urządzenia.

Blokadę rodzicielską włącza się/wyłącza poprzez naciśnięcie i przytrzymanie przycisku tryb uśpienia przez 3 sekundy, aż rozlegnie się sygnał dźwiękowy.



## 5 Funkcja anionu

Funkcja anionu jest włączana podczas uruchamiania urządzenia i wyłączana po wyłączeniu urządzenia. Funkcję anionów można włączyć/wyłączyć w aplikacji.



## 6 Wymiana filtra

**Oczyszczacz powietrza Clean Air Optima CA-502 Desktop Smart** jest wyposażony w układ kontrolowania trwałości filtr, który sygnalizuje konieczność wymiany filtrów po 1400 godzin pracy. Aby zasignalizować konieczność wymiany filtrów kompozytowych Filtr True HEPA H13, lampka kontrolna zaświeci się, a urządzenie wyemituje lampkę kontrolną



podwójnego zera . Zresetuj licznik czasu filtra, naciskając i przytrzymując przycisk zasilania przez około 3 sekundy. Jeśli lampka kontrolna zgaśnie, licznik czasu został pomyślnie zresetowany.



## 7 Wi-Fi

Wskaźnik Wi-Fi

## Monitor cyfrowy

Monitor cyfrowy na górze oczyszczacza powietrza CA-502 Desktop Smart wskazuje automatycznie i dokładnie aktualną jakość powietrza na podstawie pomiaru poziomu cząstek PM<sub>2,5</sub> w pomieszczeniu.

Particle measurement (PM 2.5)	Air quality
0-35	Green - Good
36-55	Yellow - Moderate
56-999	Red - Bad

Cząstki stałe o wielkości do 10 µm (PM<sub>10</sub>) i poniżej 2,5 µm (PM<sub>2,5</sub>) mogą się przedostać do płuc i stanowią 1 z 10 największych zagrożeń dla ludzkiego zdrowia. Te niewielkie cząstki powstają w typowych procesach domowych, takich jak gotowanie, pieczenie, smażenie, palenie tytoniu i ogrzewanie, a także są przekazywane w dużych ilościach do powietrza w pomieszczeniach ze względu na transport, przemysł, prace budowlane, materiały biologiczne (pyłki, bakterie, roztocza i wirusy), cząstki importowane z innych źródeł (np. samoloty), gazy spalinowe i erupcje wulkanów.

Alergeny, takie jak pyłki i kurz, każdej wiosny powodują poważne i długotrwałe zagrożenia dla zdrowia milionów ludzi. Ta liczba stale rośnie.

### Pomiar wilgotności względnej i temperatury

Ważnym aspektem w skutecznym oczyszczaniu powietrza jest utrzymywanie wilgotności względnej w zakresie 45–60% i temperatury pokojowej w zakresie 20–23°C.

## Obsługa przy pomocy aplikacji Clean Air Optima<sup>®</sup>

### Łączność

#### Kompatybilność ze smartfonem i tabletem:

urządzenia iPhone, iPad i Android

#### Urządzenie łączy się z aplikacją przez Wi-Fi:



CleanAirOptima

**Uwaga:** Router musi być ustawiony na łącze szerokopasmowe 2,4 GHz. Jeśli router jest ustawiony na 5,0 GHz, nawiązanie połączenia jest niemożliwe.

### Konfiguracja połączenia Wi-Fi

1. Pobrać i zainstalować aplikację „CleanAirOptima” ze sklepu App Store lub Google Play Store.
2. Założyć konto i zalogować się.
3. Podłączyć urządzenie do gniazdka elektrycznego i włączyć je. Po włączeniu naciśnij i przytrzymaj przycisk Wi-Fi przez 3 sekundy, kontrolka Wi-Fi zacznie szybko migać. Połączenie można nawiązać tylko wtedy, gdy miga kontrolka Wi-Fi. Czerwone kółko powinno migać.



4. Router musi być ustawiony na łącze szerokopasmowe 2,4 GHz. Jeśli router jest ustawiony na 5,0 GHz, nawiązanie połączenia jest niemożliwe.
5. Upewnij się, że Bluetooth jest włączony w Twoim smartfonie.
6. Upewnij się, że smartfon lub tablet jest pomyślnie połączony z siecią Wi-Fi.
7. Otworzyć aplikację „CleanAirOptima” i kliknąć „Dodaj urządzenie” . Urządzenie znajduje się na liście i można je wybrać. Jeśli nie, wybrać opcję „Automatyczne skanowanie”. Postępować zgodnie z instrukcjami wyświetlanymi na ekranie, aby podłączyć urządzenie do sieci.
8. Wybrać w celu dodania urządzenia Clean Air Optima<sup>®</sup> w aplikacji. Postępować zgodnie z instrukcjami w aplikacji.
9. Gdy urządzenie jest sparowane, kontrolka Wi-Fi  świeci stałym światłem.
10. Po pomyślnej konfiguracji można użyć aplikacji Clean Air Optima<sup>®</sup> do obsługi urządzenia.

#### Uwaga:

- Jeśli domyślna sieć uległa zmianie, należy zresetować połączenie Wi-Fi i wykonać kroki od 3 do 8 z sekcji „Konfiguracja połączenia Wi-Fi”.
- Jeśli chcemy sparować wiele urządzeń ze smartfonem lub tabletem, trzeba sparować je jedno po drugim.
- Upewnij się, że odległość między smartfonem lub tabletem a urządzeniem jest mniejsza niż 5 metrów i nie ma żadnych przeszkód. Upewnij się również, że użytkownik znajduje się w tym samym pomieszczeniu co urządzenie.



## **Zresetować funkcję Wi-Fi:**

- Zresetować Wi-Fi, naciskając przycisk „Wi-Fi” przez 3 sekund. Wskaźnik Wi-Fi zacznie szybko migać.

## **Podłączaj urządzenia do wielu telefonów**

Uwaga: Najpierw jedna z osób musi zainstalować aplikację Clean Air Optima<sup>®</sup> na telefonie i utworzyć nowe konto.

### **Udostępnianie urządzenia z ograniczonym dostępem:**

Możesz udostępnić 1 urządzenie kilku osobom.

Będą one wówczas miały zapewniony dostęp, ale nie będą mogły zmieniać wszystkich ustawień.

Postępuj zgodnie z poniższymi instrukcjami, by udostępnić urządzenie kilku osobom:

1. Przejdź do danego urządzenia.
2. Przejdź do ołówka albo trzech kropek w górnym prawym rogu.
3. Wybierz „Share device” („Udostępnij urządzenie”).
4. Wybierz „Add sharing” („Dodaj udostępnianie”).
5. Wybierz metodę udostępniania np. za pośrednictwem poczty elektronicznej, aplikacji WhatsApp, wiadomości SMS itd. i kontynuuj.
6. Urządzenie pojawi się automatycznie w aplikacji Clean Air Optima<sup>®</sup> z drugim kontem.

### **Udostępnianie urządzenia z pełnym dostępem:**

Możesz zapewnić co najmniej jednej osobie możliwość zarządzania domem.

Taka osoba będzie miała wówczas dostęp do wszystkich Twoich urządzeń, które są już połączone, oraz wszystkie uprawnienia. Zawsze pozostaniesz administratorem głównym.

Postępuj zgodnie z poniższymi instrukcjami, aby zapewnić komuś możliwość zarządzania domem.

1. Otwórz aplikację Clean Air Optima<sup>®</sup> i przejdź do „Me” („Moje konto”).
2. Następnie wybierz „Home Management” („Zarządzanie domem”).
3. Wybierz „Create a home” („Utwórz dom”).
4. Wybierz odpowiedni „Home” („Dom”) i „Add member” („Dodaj członka”).
5. Wybierz metodę udostępniania np. za pośrednictwem poczty elektronicznej, aplikacji WhatsApp, wiadomości SMS itd. i kontynuuj.
6. Odpowiedni „Home” automatycznie pojawi się w aplikacji Clean Air Optima<sup>®</sup> osoby, która uzyskała dostęp do Twojego „Home” („Dom”).
7. Na drugim koncie:  
Przejdź do ekranu domowego z aplikacji Clean Air Optima<sup>®</sup>. W górnym lewym rogu wybierz „Home” („Dom”).

## Konserwacja

### Czyszczenie zewnętrznej części oczyszczacza powietrza

1. Wyłączyć urządzenie i odłączyć wtyczkę.
2. Wyczyścić urządzenie z kurzu i brudu przy użyciu nawilżonej miękkiej szmatki.
3. Zachować ostrożność, aby do urządzenia **nie przedostała** się woda.

### Przechowywanie oczyszczacza powietrza Clean Air Optima<sup>®</sup>

1. Odłączyć urządzenie od zasilania i złożyć przewód zasilający.
2. Wyjąć i wyczyścić filtry. Po czyszczeniu ponownie włożyć filtr do urządzenia.
3. Zaleca się owinąć filtr i urządzenie w plastikową torbę i umieścić w chłodnym, suchym miejscu.  
Unikaj wilgoci, ponieważ może ona uszkodzić filtr True HEPA.

## Wymiana filtrów

Oczyszczacz powietrza Clean Air Optima CA-502 Desktop Smart jest wyposażony w układ kontrolowania trwałości filtra, który sygnalizuje konieczność wymiany filtra po 1400 godzin pracy. Aby zasygnalizować konieczność wymiany filtra Hepa H13, lampka kontrolna zaświeci



się, a urządzenie wyemituje lampkę kontrolną podwójnego zera. Zresetuj licznik czasu filtra, naciskając i przytrzymując przycisk zasilania przez około 3 sekundy. Jeśli lampka kontrolna zgaśnie, licznik czasu został pomyślnie zresetowany.

**W zależności od zastosowania filtra HEPA H13 mają okres eksploatacji wynoszący około 4-5 miesięcy.**

### Czyszczenie filtrów

Najlepszy efekt można osiągnąć, czyszcząc filtry raz w miesiącu. Jeżeli powietrze w pomieszczeniu jest bardzo zanieczyszczone, może być konieczne częstsze czyszczenie.

Czyścić **filtr wstępny** i filtr **HEPA** szczotką lub odkurzaczem. W ten sposób większe cząstki kurzu, takie jak kłaczki, włosy i łupież zwierząt domowych, mogą zostać usunięte z filtra.

**Ostrzeżenie!** Nigdy nie mocz ani nie płucz filtra HEPA H13 wodą.

### Oznaki zużycia filtrów

Zwiększony hałas, zredukowany przepływ powietrza, zatkane filtry, coraz bardziej odczuwalne nieprzyjemne zapachy. Kiedy filtr HEPA zmieni kolor z białego na szary lub czarny, należy go wymienić na nowy. Jeżeli filtr HEPA pozostaje biały, NIE trzeba go wymieniać.



### Sposób zamawiania filtrów:

Należy się skontaktować z działem obsługi klienta Clean Air Optima pod numerem telefonu + 31 (0) 742670145 lub odwiedzić nasz sklep internetowy:  
<https://www.cleanairoptima.com/-accessoires>

## Rozwiązywanie problemów

Poniżej przedstawiono informacje, które są pomocne w rozwiązywaniu wszelkich problemów z użytkowaniem **oczyszczacza powietrza Clean Air Optima CA-502 Desktop Smart**.

Usterka	Możliwa przyczyna	Rozwiązanie
Urządzenie się nie włącza.	Przewód zasilający podłączony nieprawidłowo.  Przewód zasilający jest uszkodzony.  Filtr nie jest prawidłowo zainstalowany.	Wsunąć prawidłowo wtyczkę przewodu zasilającego do gniazda zasilania.  Wymienić przewód zasilający.  Zainstaluj filtr prawidłowo. Patrz rozdział: Sposób użytkowania.
Z wylotu powietrza czuć nieprzyjemny zapach.	Filtr wchłania za dużo zapachów lub kurzu.  Okres eksploatacji filtra upłynął.	Wymienić filtry kompozytowe.  Wymienić filtry kompozytowe.
Słaby efekt oczyszczania.	Sprawdzić, czy wilgotność w pomieszczeniu nie jest za niska.  Urządzenie jest ustawione w niewentylowanym pomieszczeniu lub otoczone przez przeszkody.	Zwiększyć wilgotność.  Usunąć przeszkody.
Brak wydmuchu powietrza z urządzenia.	Wlot lub wylot powietrza jest zablokowany.	Usunąć przeszkody.
<b>Obsługa przy pomocy aplikacji Clean Air Optima® nie działa.</b>	Smartfon lub tablet nie jest podłączony do sieci Wi-Fi.  Urządzenie nie ma połączenia z siecią.	Wyłączyć urządzenie i zresetować sieć Wi-Fi na urządzeniu, naciskając przycisk Wi-Fi przez 3 sekund. Wskaźnik Wi-Fi zacznie szybko migać. Następnie wykonać kroki 3-10 opisane w rozdziale <b>Obsługa przy pomocy aplikacji Clean Air Optima®</b> .
Na wyświetlaczu pojawi się kod EO wordt.	Czujnik PM2,5 nie działa.	Urządzenie jest podłączone do urządzenia trekkingowego i zostaje nawiązany kontakt stopu. Wtyczka jest podłączona do styku stopu i urządzenie jest podłączone do urządzenia.



Usterka	Możliwa przyczyna	Rozwiązanie
Na wyświetlaczu ponownie pojawił się kod FFF.	Silnik jest zablokowany lub zatrzymany.	Urządzenie jest podłączone do urządzenia trekkingowego i zostaje nawiązany kontakt stopu. Wtyczka jest podłączona do styku stopu i urządzenie jest podłączone do urządzenia.
Kod EEE jest wyświetlany na wyświetlaczu.	Czujnik PM2,5 w silniku nie działa.	Urządzenie jest podłączone do urządzenia trekkingowego i zostaje nawiązany kontakt stopu. Wtyczka jest podłączona do styku stopu i urządzenie jest podłączone do urządzenia.

## OSTRZEŻENIE!

Jeśli zalecane rozwiązania wyszczególnione powyżej nie przynoszą rezultatów, należy się skontaktować telefonicznie z lokalnym działem pomocy technicznej firmy Clean Air Optima. Nie należy podejmować prób demontażu, naprawy lub ponownego montażu urządzenia, ponieważ może to spowodować utratę gwarancji.

## Specyfikacja

Model	CA-502 Desktop Smart
Maksymalne wymiary pomieszczeń	20 m <sup>2</sup> / 50 m <sup>3</sup> / 215 st <sup>2</sup>
Napięcie znamionowe adaptera	Wejście: 100V - 240V~, 50/ 60Hz, 0.4A czy 1.0A Wyjście: 12V $\overline{=}$ , 1.5A
Moc znamionowa	10 W, 12V $\overline{=}$
Wydajność wentylatora (CADR)	110 m <sup>3</sup> /h
Wydajność filtra	99,97%
Poziom hałasu	10 dB(A) Cichy tryb uśpienia/ 15 dB(A) w trybie niskim 1/ 25 dB(A) w trybie średnim 2/ 50 dB(A) w trybie wysoki 3
Wymiary	190 × 190 × 235 mm
Waga	1,5 kg
Kolor	Jasnoszary/ biały
Zgodny z przepisami UE	CE/WEEE/RoHS

**W celu uzyskania aktualnych informacji dotyczących utylizacji opakowania i urządzenia należy się zgłosić do lokalnego dystrybutora lub lokalnego samorządu.**





## Obsługa serwisowa

### Certyfikat gwarancji dla oczyszczacza powietrza Clean Air Optima CA-502 Desktop Smart.

Data zakupu: .....

Imię i nazwisko klienta: .....

Adres: .....

Telefon: .....

E-mail: .....

Nazwa sprzedawcy: .....

Adres: .....

1. Niniejszy certyfikat gwarancji należy wypełnić w całości. Należy przesłać go wraz z fakturą i urządzeniem w oryginalnym opakowaniu do lokalnego dystrybutora, pokrywając koszty przesyłki. Ponadto należy uiścić odpowiednią opłatę za przesyłkę zwrotną.
2. Prosimy o załączenie krótkiego opisu uszkodzenia, usterki lub nieprawidłowego działania oraz okoliczności, w których pojawiły się te problemy.

**Oczyszczacz powietrza Clean Air Optima CA-502 Desktop Smart** jest poddawany rygorystycznym testom przed wysłaniem z fabryki. Jeżeli w okresie 2 lat od daty zakupu produkt nie będzie działać zgodnie ze specyfikacją z powodu wad fabrycznych, nabywca ma prawo do bezpłatnej naprawy lub wymiany części po przedstawieniu niniejszej gwarancji (pod warunkiem, że wadliwe działanie lub uszkodzenie urządzenia i/lub jego części wystąpiło w normalnych warunkach użytkowych). Zakres gwarancji: Wszystkie części wadliwe pod względem materiałowym i wykonawczym. Okres gwarancji: dwa lata od daty zakupu. Czynności gwarancyjne: Naprawa lub wymiana wadliwych części. Wyjątki: regularna wymiana filtrów.

#### Inne warunki

Postanowienia niniejszej gwarancji zastępują wszelkie inne pisemne gwarancje, wyraźne lub dorozumiane, pisemne lub ustne, w tym gwarancje wartości handlowej lub przydatności do określonego celu. Maksymalna odpowiedzialność producenta nie przekracza rzeczywistej ceny zakupu produktu. Producent w żadnym wypadku nie ponosi odpowiedzialności za szkody szczególne, przypadkowe, wynikowe lub pośrednie. Niniejsza gwarancja nie obejmuje wad powstałych w wyniku niewłaściwego lub nieuzasadnionego użytkowania lub konserwacji, wadliwego montażu, wypadku, katastrof naturalnych, niewłaściwego pakowania oraz nieumiejętnych manipulacji, zmian lub modyfikacji, które nie zostały przez nas zatwierdzone. Niniejsza gwarancja jest nieważna w przypadku usunięcia lub uszkodzenia etykiety z numerem seryjnym.

# Dziękujemy za przeczytanie instrukcji!



Podziel się swoją opinią o oczyszczaczu powietrza Clean Air Optima CA-502 Desktop Smart na stronie: [www.cleanairoptima.com](http://www.cleanairoptima.com)



Najczęściej zadawane pytania dotyczące CA-502 Desktop Smart można znaleźć na stronie: [www.cleanairoptima.com](http://www.cleanairoptima.com) po wyszukaniu modelu CA-502 Desktop Smart.



Pobierz instrukcję obsługi w formacie PDF ze strony: [www.cleanairoptima.com/info/manuals](http://www.cleanairoptima.com/info/manuals)



Obejrzyj wszystkie animacje Clean Air Optima Product w serwisie: [www.youtube.com](http://www.youtube.com)

**Clean Air Optima International B.V.** | David Ricardostraat 9-7 / 9-9 | 7559 SH Hengelo (ov)  
Holandia Telefon: +31 (0) 74 - 2670145

**Clean Air Optima Germany GmbH** | Enschedestraße 14 | 48529 Nordhorn | Niemcy  
Telefon: +49 (0) 5921 879-121

**E-mail:** [info@cleanairoptima.com](mailto:info@cleanairoptima.com)

**Internet:** [www.cleanairoptima.com](http://www.cleanairoptima.com)

## Čeština

### Děkujeme Vám, že jste zakoupili čističku vzduchu Clean Air Optima CA-502 Desktop Smart.

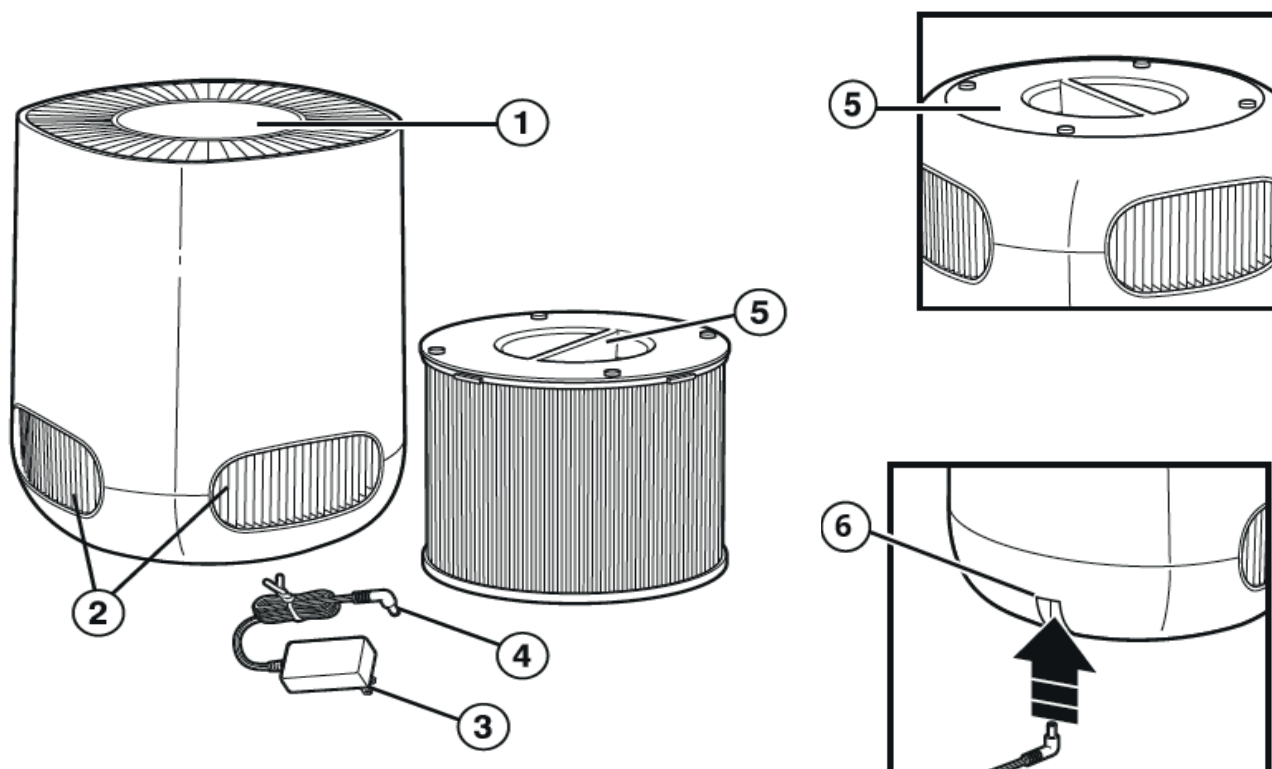
Přejeme Vám, aby Vám tento účinný a efektivní výrobek po mnoho let sloužil jako zdroj zdravého vzduchu uvnitř budov.

Zajistěte, aby při používání tohoto elektrického spotřebiče byla dodržována všechna bezpečnostní opatření potřebná pro jeho řádný provoz. Tento návod popisuje bezpečnostní opatření, která je třeba dodržovat při provozu tohoto zařízení. Jeho cílem je prevence úrazů a poškození zařízení.

### Před použitím nové čističky vzduchu Clean Air Optima CA-502 Desktop Smart.

Nejprve odstraňte těsnění z filtrů, viz strana 76. Způsob použití

### CA-502 Desktop Smart / Popis spotřebiče



1. Ovládací panel
2. Osvětlení (na 3 stranách)
3. Napájecí kabel
4. Napájecí adaptér
5. True HEPA H13 filtr a pré filtr
6. Otevření adaptéru

## Bezpečnostní upozornění

Toto zařízení lze používat pouze v souladu s těmito pokyny pro bezpečné používání. Proveďte následující kroky za účelem minimalizace rizika úrazu například elektrickým proudem nebo v důsledku požáru.

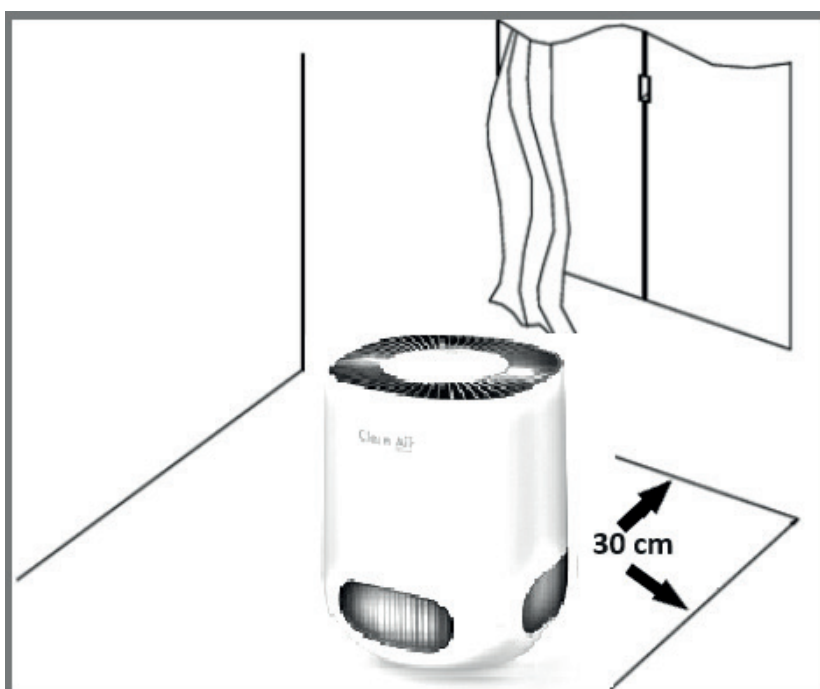
1. Pouze pro vnitřní použití. Nepoužívejte ani neskladujte venku.
2. Toto zařízení mohou používat děti ve věku od 8 let a starší a osoby se sníženými fyzickými, smyslovými nebo duševními schopnostmi nebo nedostatkem zkušeností a znalostí, pokud byly pod dohledem nebo byly poučeny o používání zařízení bezpečným způsobem a rozumí nebezpečí. Děti si se zařízením nesmějí hrát. Čištění a uživatelskou údržbu nesmějí provádět děti bez dozoru.
3. Nepoužívejte toto zařízení, jsou-li napájecí kabel nebo zařízení samotné viditelně poškozeny. Je-li zařízení poškozené, neopravujte je sami. Nikdy netahejte zařízení za napájecí kabel. Dojde-li k poškození napájecího kabelu, musí být vyměněn kvalifikovaným servisním technikem, aby nedošlo k úrazu elektrickým proudem nebo k požáru.
4. Opravy mohou provádět pouze kvalifikovaní servisní technici. Nepokoušejte se opravovat zařízení sami, aby nedošlo k úrazu elektrickým proudem nebo k požáru.
5. Když se zařízení nepoužívá, vždy vytáhněte napájecí kabel ze sítě.
6. Používejte pouze síťové adaptéry a kabely, které jsou součástí dodávky. Zkontrolujte, zda napětí adaptéru odpovídá napětí v místní elektrické síti.
7. Když zařízení nepoužíváte nebo když čistíte jeho vnitřní a vnější části, vždy vytáhněte napájecí kabel ze sítě.
8. Za účelem bezpečného používání umístěte zařízení do stabilní vodorovné polohy. Při provozu se zařízením nepohybujte.
9. Nepoužívejte toto zařízení v místnostech, kde jsou uskladněny hořlavé kapaliny nebo plyny, v blízkosti zdrojů tepla ani v obzvláště vlhkých místnostech, jako je například koupelna.
10. Nikdy nevkládejte žádný předmět do tělesa zařízení. Předejdete tak jeho rozbití.
11. Nikdy nezakrývejte vstup vzduchu ani mřížku výstupu vzduchu.
12. Nikdy nerozebírejte ani nevyměňujte vnitřní součásti zařízení.
13. Pokud je přístroj v chodu, nedotýkejte se vstupních ani výstupních mřížek vzduchu a nevkládejte rukojeť ani žádný předmět do výstupu vzduchu. Zabráníte tak zranění nebo poškození čističky vzduchu.
14. Udržujte vstupní a výstupní mřížku čističky vzduchu bez překážek, neumísťujte žádné předměty nad přední kryt čističky vzduchu ani do jeho blízkosti.
15. Nepokládejte na zařízení těžké předměty.
16. Neumisťujte zařízení na místa s přímým slunečním světlem. Mohlo by dojít ke změně barvy zařízení.
17. Nikdy neponořujte zařízení do vody ani do jiných kapalin.
18. Nedotýkejte se napájecího kabelu mokřými rukama.
19. Předřazený filtr pravidelně čistěte. Je-li předřazený filtr zanesen prachem, čistící účinek není dostatečný. Spotřeba energie se zvýší a může dojít k poruše.
20. Normální provozní prostředí zařízení je v rozmezí 10 °C až 45 °C.
21. Používejte, udržujte a čistěte toto zařízení, jak je popsáno v této referenční příručce.

## Způsob použití

Nepoužívejte přístroj s vyjmutým filtrem.

Vložte adaptér do otvoru adaptéru na zadní straně čističky vzduchu a zapojte jej do zásuvky. Uslyšíte jedno pípnutí a kontrolka kvality vzduchu se rozsvítí a poté zhasne.

Zařízení musí být umístěno nejméně 30 cm od stěn a nábytku, aby se dosáhlo dobrého proudění vzduchu. Ujistěte se, že vstupy a výstupy vzduchu nejsou blokovány.



## Ovládací panel / Návod k obsluze



### 1 Tlačítko napájení

Stisknutím tlačítka Power zařízení zapnete a vypnete.

(Po zapnutí zařízení je výchozím nastavením režim Auto).

Kontrolka kvality vzduchu na přední straně čističky vzduchu bude svítit různými barvami, protože senzor PM2,5 vyhodnocuje kvalitu vzduchu. Po dokončení bude barva odrážet aktuální kvalitu vzduchu. Úroveň kvality vzduchu viz tabulka..



### 2 Rychlost

Stisknutím tlačítka „Speed“ můžete změnit rychlostní stupeň. K dispozici je několik rychlostí ventilátoru. Můžete zvolit automatický režim, rychlost 1, 2 nebo 3.

Opakovaným dotykem tlačítka rychlosti ventilátoru vyberte režim.

V nastavení Auto měří integrovaný inteligentní senzor (Intelligent Particle Sensor™) kvalitu vzduchu automaticky. Ventilátor řízený senzorem automaticky předvídá, do jaké míry je vzduch v interiéru znečištěn částicemi o velikosti PM2,5, a odpovídajícím způsobem se přizpůsobí 3 různými rychlostmi.

Shoda s automatickým režimem je zobrazena následovně:

Pokud je hodnota PM2,5 mezi 0 a 35, kontrolka rychlosti ukáže 1.

Pokud je hodnota PM2,5 mezi 36 a 55, kontrolka rychlosti ukáže 2.

Pokud je hodnota PM2,5 mezi 56 a 999, kontrolka rychlosti ukáže 3.



### 3 Režim spánku

Aktivujete-li režim spánku, dojde k vypnutí displeje. Aktivní zůstane pouze kontrolka pro tento režim. Otáčky ventilátoru jdou na nejnižší nastavení.



### 4 Dětský zámek

Dětský zámek se zapíná/vypíná stisknutím a podržením tlačítka režim spánku po dobu 3 sekund, dokud nezazní pípnutí.



## 5 Aniontová funkce

Aniontová funkce se zapne při spuštění zařízení a vypne po vypnutí zařízení. Funkci aniontu lze zapnout/vypnout v APP.



## 6 Výměna filtru

Čistička vzduchu Clean Air Optima CA-502 Desktop Smart je vybavena mechanismem sledování životnosti filtru, který signalizuje, že filtr je nutné po 1400 hodinách provozu vyměnit. Aby bylo vidět, že je třeba vyměnit kompozitní **True HEPA H13 filtr** rozsvítí se kontrolka



a zařízení vydá dvojitou nulovou kontrolku. Vynulujte časovač pro filtr stisknutím a podržením tlačítka napájení po dobu asi 3 sekund. Pokud kontrolka zhasne, časovač byl úspěšně resetován.



## 7 WiFi

Ukazatel WiFi.

## Digitální monitor

Digitální monitor na horní straně čističky vzduchu CA-502 Desktop Smart automaticky a přesně zobrazuje aktuální kvalitu vzduchu měřením úrovně částic PM2.5 v interiéru.

Particle measurement (PM 2.5)	Air quality
0-35	Green - Good
36-55	Yellow - Moderate
56-999	Red - Bad

Částice o velikosti 10 um (PM10) a menší než 2,5 um (PM2.5) se mohou dostat do plic a patří k 10 největším hrozbám pro lidské zdraví. Tyto malé částice vznikají při typických procesech v interiéru, jako je vaření, pečení, smažení, kouření a vytápění, nebo se také dostávají ve velkém množství do vzduchu v interiéru v důsledku dopravy, průmyslové a stavební činnosti, přítomnosti biologického materiálu (pylu, bakterií, roztočů a virů). Dále se jedná o částice importované z jiných zdrojů, jako jsou výfukové plyny (letadel) a sopečné erupce.

Alergeny, jako je například pyl a prach, jsou každé jaro příčinou vážných a dlouhodobých ohrožení zdraví miliónů osob: jejich počet neustále roste.

## Měření relativní vlhkosti a teploty

Důležité aspekty pro účinné čištění vzduchu: relativní vlhkost mezi 45–60 % a pokojová teplota přibližně 20–23 °C.

## Ovládání pomocí aplikace Clean Air Optima<sup>®</sup>

### Konektivita

**Kompatibilita s chytrými telefony a tablety:**  
zařízení iPhone, iPad a Android



**Propojení zařízení přes WiFi s aplikací:**  
CleanAirOptima

**Upozornění:** Router musí být nastaven na širokopásmové pásmo 2,4 GHz. Pokud je router nastaven na 5,0 GHz, není možné navázat spojení.

### Nastavení připojení WiFi

1. Stáhněte si a nainstalujte aplikaci „CleanAirOptima“ v App Store nebo obchodě Google Play.
2. Vytvořte si účet a přihlaste se.
3. Zapojte zařízení do zásuvky a zapněte jej. Po zapnutí dlouze stiskněte tlačítko WiFi na 3 sekundy, kontrolka WiFi bude rychle blikat. Připojení lze zahájit pouze tehdy, když kontrolka WiFi bliká. Červené kruhové světlo by mělo blikat.



4. Router musí být nastaven na širokopásmové připojení 2,4 GHz. Pokud je router nastaven na 5,0 GHz, nelze navázat žádné spojení.
5. Ujistěte se, že je ve vašem chytrém telefonu povolen Bluetooth.
6. Ujistěte se, že je váš chytrý telefon nebo tablet úspěšně připojen k síti WiFi.
7. Otevřete aplikaci „CleanAirOptima“ a klepněte na „Přidat zařízení“ . Vaše zařízení je v seznamu a můžete ho vybrat. Pokud ne, zvolte „Automatické skenování“. Pro připojení zařízení k síti postupujte podle pokynů na obrazovce.
8. Přidejte do aplikace zařízení Clean Air Optima<sup>®</sup> a postupujte podle pokynů v aplikaci.
9. Pokud je zařízení spárováno, ukazatel WiFi  zůstane trvale svítit.
10. Po úspěšné konfiguraci můžete zařízení ovládat pomocí aplikace Clean Air Optima<sup>®</sup>.

### Poznámka:

- Pokud se vaše výchozí síť změnila, musíte znovu nastavit připojení WiFi. Postupujte podle kroků 3 až 8 v části „Nastavení připojení WiFi“.
- Pokud chcete s chytrým telefonem nebo tabletem spárovat více zařízení, musíte je spárovat postupně.
- Ujistěte se, že vzdálenost mezi chytrým telefonem nebo tabletem a zařízením je menší než 5 metrů a že neexistují žádné překážky. Také se ujistěte, že jste ve stejné místnosti jako zařízení.





## **Resetujte funkci WiFi:**

- Resetujte WiFi stisknutím tlačítka „napájení“ na 3 sekund, ukazatel WiFi bude rychle blikat.

## **Připojte zařízení k více telefonům**

Poznámka: Nejprve musí druhá osoba nainstalovat aplikaci Clean Air Optima<sup>®</sup> na svůj telefon a vytvořit nový účet.

### **Sdílejte zařízení s omezeným přístupem:**

Můžete se rozhodnout sdílet jedno zařízení s více osobami.

Tato osoba pak bude mít přístup, ale nebude moci provádět všechna nastavení.

Chcete-li zařízení sdílet s více osobami, postupujte podle níže uvedených pokynů:

1. Přejděte na příslušné zařízení.
2. Přejděte na symbol tužky nebo tři tečky vpravo nahoře.
3. Vyberte možnost „Sdílet zařízení“.
4. Vyberte možnost „Přidat sdílení“.
5. Vyberte způsob sdílení, např. prostřednictvím e-mailu, WhatsApp, SMS atd., a pokračujte.
6. Zařízení se automaticky zobrazí v aplikaci Clean Air Optima<sup>®</sup> u dalšího účtu.

### **Sdílejte zařízení s plným přístupem:**

Do správy domova můžete přidat osobu nebo několik osob.

Tato osoba pak bude mít přístup ke všem vašim zařízením, která jsou již propojena, a bude mít plná práva a oprávnění. Vždy zůstanete hlavním správcem.

Chcete-li někoho přidat do správy domova, postupujte podle níže uvedených pokynů:

1. Spusťte aplikaci Clean Air Optima<sup>®</sup> a přejděte na možnost „Já“.
2. Poté vyberte možnost „Správa domova“.
3. Vyberte možnost „Vytvořit domov“.
4. Vyberte příslušnou položku „Domov“ a „Přidat člena“.
5. Vyberte způsob sdílení, např. prostřednictvím e-mailu, WhatsApp, SMS atd., a pokračujte.
6. Odpovídající „Domov“ se automaticky zobrazí v aplikaci Clean Air Optima<sup>®</sup> osoby, se kterou jste sdíleli váš „Domov“.
7. Na druhém účtu:  
Přejděte na domovskou obrazovku z aplikace Clean Air Optima<sup>®</sup>. V levé horní části zvolte „Domov“.

## Údržba

### Čištění vnější strany čističky vzduchu

1. Vypněte zařízení a vytáhněte zástrčku.
2. K čištění zařízení od prachu a nečistot použijte měkký a vlhký hadřík.
3. Zajistěte, aby se do zařízení nedostala **voda**.

### Skladování čistička vzduchu Clean Air Optima<sup>®</sup>

1. Vytáhněte napájecí kabel ze sítě a složte jej.
2. Vyjměte a vyčistěte filtry. Po vyčištění znovu nasadte filtry zpět do zařízení.
3. Doporučuje se zabalit filtr a jednotku do plastového sáčku a umístit na chladné a suché místo. Vyvarujte se vlhkosti, protože může poškodit True HEPA filtr.

## Výměna filtrů

Čistička vzduchu Clean Air Optima CA-502 Desktop Smart je vybavena mechanismem sledování životnosti filtru, který signalizuje, že filtr je nutné po 1400 hodinách provozu vyměnit. Aby bylo vidět, že je třeba vyměnit filtr Hepa H13, rozsvítí se kontrolka a zařízení vydá dvojitou



nulovou kontrolku. Vynulujte časovač pro filtr stisknutím a podržením tlačítka napájení po dobu asi 3 sekund. Pokud kontrolka zhasne, časovač byl úspěšně resetován.

**V závislosti na použití má HEPA filtr H13) životnost přibližně 4-5 měsíců.**

### Čištění filtru

Nejlepšího účinku dosáhnete čištěním filtrů jednou měsíčně. Pokud je vzduch v interiéru extrémně znečištěný, může být vyžadováno intenzivnější čištění.

Vyčistěte **předřazený filtr** a **filtr HEPA** kartáčem nebo vysavačem. Tak lze z filtru odstranit větší prachové částice, jako jsou vlákna, vlasy a chlupy domácích mazlíčků.

**Varování!** Filtr HEPA nikdy nesmáčejte ani neoplachujte vodou.

### Známky opotřebení filtrů

Zvýšená hlasitost, snížený průtok vzduchu, ucpané filtry, vzrůstající přítomnost pachů. Filtr je nutné nahradit novým, pokud filtr HEPA změní barvu z bílé na šedou nebo černou. Pokud filtr HEPA zůstane bílý, **NENÍ** nutné filtr vyměňovat.



### Objednávání filtrů:

Kontaktujte zákaznický servis Clean Air Optima na tel. + 31 (0) 742670145 nebo navštivte náš internetový obchod: <https://www.cleanairoptima.com/-accessoires>

## Odstraňování závad

Následující návod pro odstraňování závad Vám pomůže vyřešit jakékoli problémy, které mohou nastat při používání čističky vzduchu **Clean Air Optima CA-502 Desktop Smart**.

Problém	Možná příčina	Řešení
Zařízení není zapnuté.	Napájecí kabel není správně připojen. Napájecí kabel je poškozený. Filtr není správně namontován.	Připojte napájecí kabel k zařízení a do sítě správně. Vyměňte napájecí kabel. Nainstalujte filtr správně. Viz kapitola: Způsob použití.
Vzduchový vývod zapáchá.	Filtr zachycuje příliš mnoho zápachu nebo prachu. Životnost filtrů vypršela.	Vyměňte kompozitní filtry. Vyměňte kompozitní filtry.
Špatný čistící účinek.	Zkontrolujte, zda není místnost z hlediska vlhkosti příliš suchá. Zařízení je umístěno v nevětrané místnosti nebo je obklopeno překážkami.	Zvyšte vlhkost. Odstraňte překážky.
Ze zařízení nevychází žádný vzduch.	Vstup nebo výstup vzduchu je blokován.	Odstraňte překážky.
<b>Ovládání pomocí aplikace Clean Air Optima®</b> nefunguje.	Chytrý telefon nebo tablet není připojen k síti Wi-Fi. Zařízení nemá připojení k síti.	Zapněte zařízení a resetujte WiFi na zařízení stisknutím tlačítka WiFi spánku na 3 sekundy. Kontrolka WiFi bude rychle blikat. Poté postupujte podle kroků 3 až 10 v kapitole <b>Ovládání pomocí aplikace Clean Air Optima®</b> .
Na displeji se zobrazí kód EO wordt.	Senzor PM2,5 nefunguje.	Zařízení se připojí k trekingovému zařízení a sepne se stop kontakt. Zástrčka je připojena k dorazovému kontaktu a zařízení je připojeno k zařízení.
Kód FFF opět na displeji.	Motor je zablokovaný nebo zastavený.	Zařízení se připojí k trekingovému zařízení a sepne se stop kontakt. Zástrčka je připojena k dorazovému kontaktu a zařízení je připojeno k zařízení.
Na displeji je uveden kód EEE.	Senzor PM2,5 v motoru nefunguje.	Zařízení se připojí k trekingovému zařízení a sepne se stop kontakt. Zástrčka je připojena k dorazovému kontaktu a zařízení je připojeno k zařízení.

## VAROVÁNÍ!

Pokud výše uvedená řešení nepomohou, obraťte se na technickou podporu Clean Air Optima na telefonním čísle určeném pro Váš region. Nepokoušejte se rozebrat, znovu sestavit nebo opravit zařízení, protože může dojít k propadnutí záruky.

## Specifikace

Model	CA-502 Desktop Smart
Pro místnosti do velikosti	20 m <sup>2</sup> / 50 m <sup>3</sup> / 215 ft <sup>2</sup>
Jmenovité napětí adaptéru	Vstup: 100V - 240V~, 50/ 60Hz, 0.4A ani 1.0A Výstup: 12V $\overline{\text{---}}$ , 1.5A
Jmenovitý výkon	10 W, 12V $\overline{\text{---}}$
Kapacita ventilátoru (CADR)	110 m <sup>3</sup> /h
Výkon filtru	99,97 %
Hladina hluku	10dB (A) Tichý režim spánku/ 15 dB (A) Nízký 1 / 25 dB (A) Střední 2 / 50 dB (A) Vysoký 3
Rozměry	190 × 190 × 235 mm
Hmotnost	1,5 kg
Barva	Světle šedá/ bílá
Splňuje požadavky předpisů EU	CE/WEEE/RoHS

Požádejte svého prodejce nebo obec o aktuální informace týkající se likvidace obalu a tohoto zařízení.



## Servis

### Záruční list pro čističku vzduchu Clean Air Optima CA-502 Desktop Smart.

Datum nákupu: .....

Jméno zákazníka: .....

Adresa: .....

Telefon: .....

E-mail: .....

Jméno prodejce: .....

Adresa: .....

1. Tento záruční list prosím kompletně vyplňte. Zašlete jej spolu s fakturou a spotřebičem, s poštovním hrazeným předem a v původním obalu svému distributorovi. Přesvědčte se, že jste uhradili poštovné za vrácení zásilky.
2. Připojte krátký popis poškození, vady nebo poruchy a okolnosti, za kterých k uvedeným problémům došlo.

**Čistička vzduchu Clean Air Optima CA-502 Desktop Smart** byla u výrobce podrobena přísným testům. Pokud v průběhu 2 let od data zakoupení produkt přestane fungovat v souladu se specifikacemi z důvodu výrobních vad, kupující má právo na bezplatnou opravu nebo výměnu součástí na základě předložení tohoto záručního listu (za předpokladu, že k poruše nebo poškození zařízení, případně součástí, došlo za běžných provozních podmínek). Záruka se vztahuje na následující: všechny součásti, u nichž se projeví vada materiálu nebo výrobní vada. Jak dlouho: po dobu dvou let od data zakoupení. Co uděláme: opravíme nebo vyměníme jakékoli vadné součásti.

Výluky: pravidelně měněné výměnné filtry.

#### Další podmínky

Ustanovení tohoto záručního listu jsou namísto jakékoli písemné záruky, ať již výslovné či mlčky předpokládané, písemné nebo ústní, včetně záruky prodejnosti a vhodnosti pro konkrétní účel. Maximální odpovědnost výrobce nepřekročí aktuální kupní cenu, za kterou bylo zařízení zakoupeno. Za žádných okolností výrobce nenese odpovědnost za zvláštní, následné ani nepřímé škody. Tato záruka se nevztahuje na vady, které vznikly v důsledku nesprávného nebo nepřiměřeného použití či údržby, vadné montáže, havárie, přírodní katastrofy, nesprávného zabalení nebo neoprávněného zásahu, změny nebo úpravy podle našeho vlastního úsudku. Tato záruka propadá, pokud dojde k odstranění štítku s výrobním číslem nebo pokud se tento štítek stane nečitelným.

# Děkujeme Vám za přečtení těchto pokynů.



Máte-li k produktu čistička vzduchu Clean Air Optima CA-502 Desktop Smart jakoukoli zpětnou vazbu, podělte se o ni s námi na adrese: [www.cleanairoptima.com](http://www.cleanairoptima.com)



Často kladené otázky týkající se produktu CA-502 Desktop Smart najdete na adrese: [www.cleanairoptima.com](http://www.cleanairoptima.com), kde hledejte CA-502 Desktop Smart.



Stáhněte si návod k obsluze ve formátu PDF na adrese: [www.cleanairoptima.com/info/manuals](http://www.cleanairoptima.com/info/manuals)



Podívejte se na všechna animační videa týkající se produktů Clean Air Optima na adrese: [www.youtube.com](http://www.youtube.com)

**Clean Air Optima International B.V.** | David Ricardostraat 9-7 / 9-9 | 7559 SH Hengelo (ov)  
Nizozemsko | Telefon: +31 (0) 74-2670145

**Clean Air Optima Germany GmbH** | Enschedestraße 14 | 48529 Nordhorn | Německo  
Telefon: +49 (0) 5921 879-121

**E-mail:** [info@cleanairoptima.com](mailto:info@cleanairoptima.com)

**Internet:** [www.cleanairoptima.com](http://www.cleanairoptima.com)

## Română

Vă mulțumim că ați achiziționat purificatorul de aer Clean Air Optima CA-502 Desktop Smart.

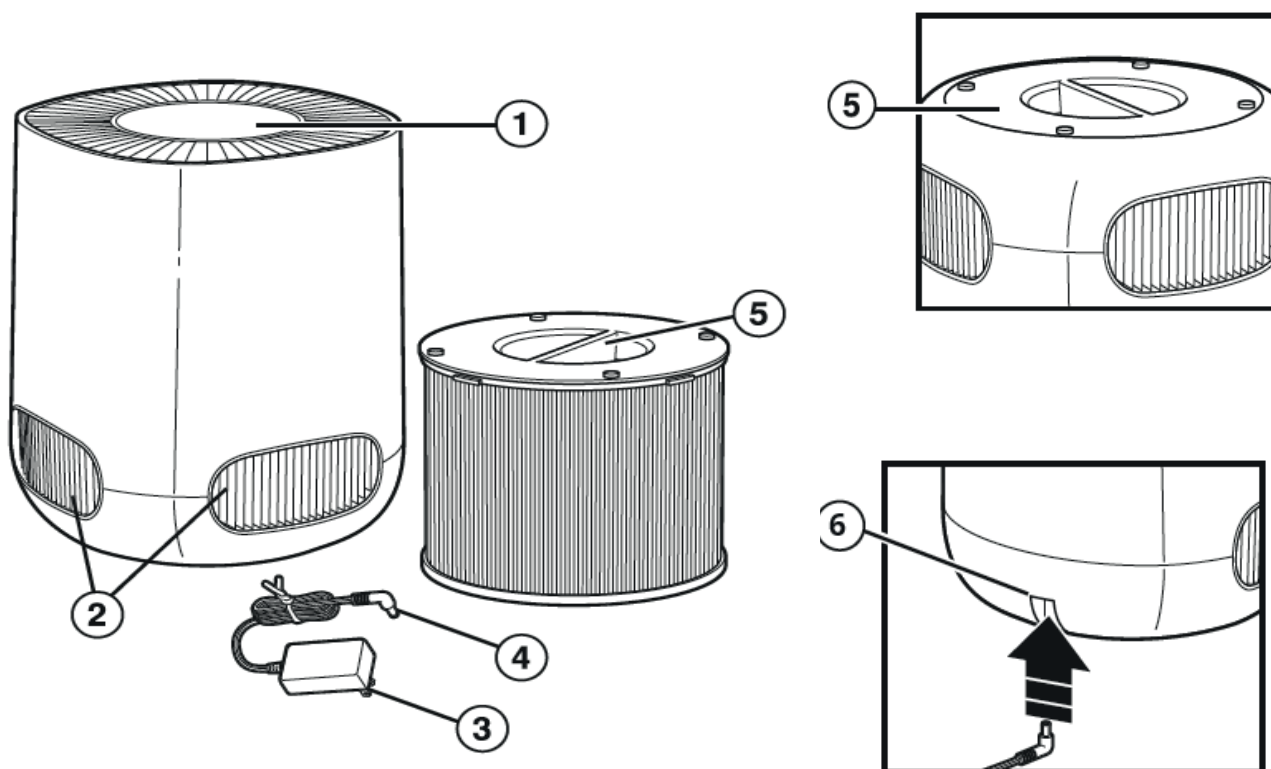
Vă dorim mulți ani de aer interior sănătos cu acest produs eficient și eficace.

Pentru funcționarea corectă a dispozitivului, asigurați-vă că sunt respectate toate măsurile de precauție pe durata utilizării sale. Aceste instrucțiuni descriu măsurile de precauție care trebuie respectate pe durata funcționării. Acestea sunt menite să prevină răniurile și să evite deteriorarea dispozitivului.

**Înainte de a utiliza noul dvs. purificator de aer Clean Air Optima CA-502 Desktop Smart.**

Scoateți mai întâi etanșarea de pe filtre, consultați pagina 88. Mod de utilizare.

### CA-502 Desktop Smart / Descrierea aparatului



1. Panou de control
2. Iluminare (pe 3 părți)
3. Cablu de alimentare
4. Adaptor de alimentare
5. Filtru HEPA H13 adevărat și prefiltru
6. Deschiderea adaptorului

## Avertismente privind siguranța

Acest dispozitiv poate fi utilizat numai în conformitate cu aceste instrucțiuni de siguranță. Luați următoarele măsuri pentru a reduce riscul de vătămare corporală provocată, de exemplu, de șocuri electrice sau incendiu.

1. Numai pentru utilizarea la interior. Nu-l folosiți sau depozitați în exterior.
2. Acest dispozitiv poate fi utilizat de copii cu vârsta de la 8 ani și peste și de persoane cu capacități fizice, senzoriale sau mentale reduse sau cu lipsă de experiență și cunoștințe, dacă au primit supraveghere sau instrucțiuni privind utilizarea dispozitivului într-un mod sigur și înțeleg pericolele. Copiii nu se vor juca cu dispozitivul. Curățarea și întreținerea utilizatorului nu trebuie efectuate de copii fără supraveghere.
3. Nu utilizați dispozitivul atunci când există deteriorări vizibile pe cablul electric sau pe dispozitivul însuși. Nu reparați dvs. înșivă dispozitivul în caz de deteriorare. Nu manevrați dispozitivul trăgându-l de cablu. În cazul în care cablul de alimentare este deteriorat, acesta trebuie înlocuit de o persoană de service autorizată pentru a preveni electrocutarea sau incendiul.
4. Reparațiile pot fi efectuate numai de personal de service autorizat. Nu încercați să reparați dvs. înșivă dispozitivul, pentru a preveni electrocutarea sau incendiul.
5. Scoateți întotdeauna fișa cablului atunci când dispozitivul nu este utilizat.
6. Utilizați numai adaptoarele de curent și cablurile furnizate. Verificați dacă tensiunea adaptorului se potrivește cu tensiunea locală.
7. Scoateți fișa atunci când nu utilizați dispozitivul sau când curățați părțile interne sau externe ale acestuia.
8. Pentru utilizarea în condiții de siguranță, puneți dispozitivul într-o poziție orizontală, stabilă. Nu mișcați dispozitivul în timpul funcționării.
9. Nu utilizați dispozitivul în încăperi în care sunt depozitate lichide sau gaze inflamabile sau în apropierea surselor de căldură sau în încăperi deosebit de umede, cum ar fi baia.
10. Nu introduceți niciodată alt obiect în corpul dispozitivului pentru a evita defectarea.
11. Nu acoperiți niciodată grila de admisie sau de evacuare a aerului.
12. Nu demontați și nici nu înlocuiți componentele interioare ale dispozitivului.
13. Când dispozitivul funcționează, nu atingeți grilele de admisie și de evacuare a aerului și nu introduceți mânerul sau niciun obiect în orificiul de evacuare a aerului pentru a evita rănirea sau deteriorarea purificadorului de aer.
14. Pentru a nu bloca grila de admisie și de evacuare a aerului purificat, nu așezați obiecte deasupra sau în apropierea capacului frontal al purificadorului de aer.
15. Nu puneți obiecte grele pe unitate.
16. Evitați locurile cu lumină solară directă. Există riscul ca dispozitivul să se decoloreze.
17. Nu scufundați niciodată aparatul în apă sau alte lichide.
18. Nu atingeți cablul de alimentare cu mâinile ude.
19. Curățați prefiltrul în mod regulat, dacă prefiltrul este saturat cu praf, va duce la un efect de purificare necorespunzător. Consumul de energie va crește și poate provoca defecțiuni.
20. Mediul de funcționare normală a dispozitivului este cuprins între 10 °C și 45 °C.
21. Utilizați, întrețineți și curățați dispozitivul conform descrierii din acest manual.

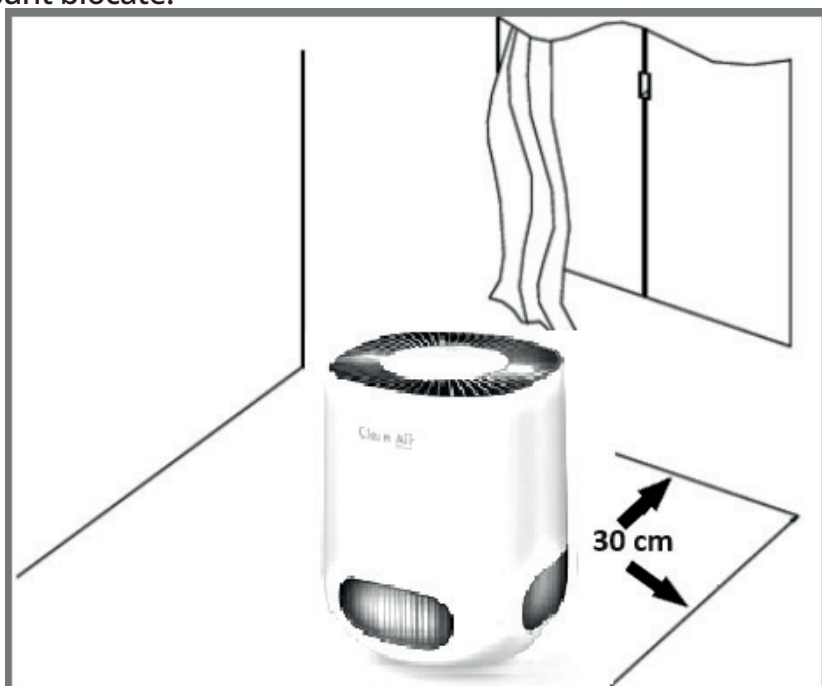


## Mod de utilizare

Nu utilizați dispozitivul cât timp este scos filtrul.

Introduceți adaptorul în deschiderea adaptorului din spatele purificatorului de aer și conectați-l la priza de perete. Veți auzi un bip și indicatorul luminos al calității aerului se va aprinde și apoi se va stinge.

Dispozitivul trebuie poziționat la o distanță de cel puțin 30 cm de pereți și mobilier pentru a obține un debit bun de aer. Asigurați-vă că orificiile de admisie și de evacuare a aerului nu sunt blocate.



## Panou de comandă/Instrucțiune de operare



### 1 Buton de pornire

Apăsând butonul de pornire, porniți și opriți dispozitivul.

(Implicit este modul automat după pornirea dispozitivului).

Indicatorul luminos al calității aerului de pe partea din față a purificatorului de aer va lumina diferite culori, deoarece senzorul PM2.5 evaluează calitatea aerului. Odată terminat, culoarea va reflecta calitatea actuală a aerului. Consultați graficul pentru nivelurile de calitate a aerului.

### 2 Viteze

Prin apăsarea butonului „Turație”, puteți schimba nivelul de turații. Apăsând butonul

Viteză, puteți schimba nivelul de viteză. Sunt disponibile mai multe viteze ale ventilatorului. Puteți alege modul automat, viteza 1, 2 sau 3. Atingeți butonul de viteză a ventilatorului în mod repetat pentru a selecta modul.

În setarea Auto senzorul inteligent integrat (Intelligent Particle Sensor™) măsoară și reglează automat calitatea aerului. Ventilatorul, controlat de un senzor, anticipează în mod automat în ce măsură aerul din interior este poluat de particule cu dimensiunea PM2,5 și se adaptează la cele trei viteze diferite în consecință.

Correspondența cu modul automat este prezentată după cum urmează:

Dacă valoarea PM2.5 este între 0 și 35, indicatorul luminos de viteză va arăta 1.

Dacă valoarea PM2.5 este între 36 și 55, indicatorul luminos de viteză va arăta 2.

Dacă valoarea PM2.5 este între 56 și 999, indicatorul luminos de viteză va arăta 3.

### 3 Modul Somn

Atunci când este activat modul somn, afișajul se stinge. Numai lumina modului somn este aprinsă. Viteza ventilatorului trece la setarea cea mai scăzută

### 4 Blocare pentru copii

Blocarea pentru copii protejează împotriva utilizării nedorite a dispozitivului. Blocarea pentru copii este activată/dezactivată prin apăsarea și menținerea apăsată a butonului de somn timp de 3 secunde, până când se aude un bip.



## 5 Funcția cu anioni

Funcția cu anioni este activată la pornirea aparatului și este dezactivată odată ce acesta este oprit. Funcția anionică poate fi activată/dezactivată în APP.



## 6 Înlocuirea filtrului

Purificatorul de aer Clean Air Optima CA-502 Desktop Smart este echipat cu un mecanism de supraveghere a duratei de viață a filtrului, care indică faptul că filtrele trebuie înlocuite după 1400 de ore de funcționare. IPentru a arăta că filtrele HEPA H13 adevărat trebuie înlocuite, indicatorul luminos se va aprinde, iar dispozitivul emite un indicator luminos



dublu zero .Resetați temporizatorul pentru filtru apăsând și menținând apăsat butonul de pornire timp de aproximativ 3 secunde. Dacă indicatorul luminos se stinge, temporizatorul a fost resetat cu succes.



## 7 WiFi

Indicator WiFi.

## Monitor digital

Monitorul digital de pe partea superioară a purificatorului de aer CA-502 Desktop Smart indică automat și precis calitatea aerului prin măsurarea nivelului de măsurare a particulelor PM2,5 din interior.

Particle measurement (PM 2.5)	Air quality
0-35	Green - Good
36-55	Yellow - Moderate
56-999	Red - Bad

Particulele de 10 μm (PM10) și mai mici 2,5 μm (PM2,5) pot ajunge în plămâni și fac parte din primele zece amenințări pentru sănătatea umană. Aceste particule mici se dezvoltă prin procese tipice de interior, cum ar fi gătit, coacere, prăjire, fumat, precum și încălzire sau transportate în cantități mari în aerul interior din cauza transportului, industriei, construcțiilor, materialului biologic (polen, bacterii, acarieni și virusuri), particulele importate din umiditate remanentă, cum ar fi gazele de eșapament (ale avioanelor) și erupțiile vulcanice.

Alergenii, cum ar fi polenul și praful, provoacă amenințări grave și de lungă durată la adresa sănătății a milioane de persoane în fiecare primăvară: numerele cresc în mod constant.

### Măsurarea umidității relative și a temperaturii

Aspecte importante pentru o purificare eficientă a aerului: umiditatea relativă între 45-60 % și temperatura camerei de aproximativ 20-23 °C.

## Funcționare cu aplicația Clean Air Optima<sup>®</sup>

### Conectivitate

#### Compatibilitate cu smartphone și tabletă:

dispozitive iPhone, iPad și Android

#### Dispozitivul se conectează prin WiFi cu aplicația:


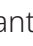
CleanAirOptima

**Atenție:** Routerul trebuie să fie setat pe banda largă de 2,4 GHz. Dacă routerul este setat pe 5,0 GHz, este imposibil să se stabilească o conexiune.

### Configurarea conexiunii WiFi

1. Descărcați și instalați aplicația „CleanAirOptima” din App Store sau Google Play Store.
2. Creați un cont și conectați-vă.
3. Conectați dispozitivul la priza de alimentare și porniți-l. După pornire, apăsați lung butonul WiFi timp de 3 secunde, indicatorul luminos WiFi va clipi rapid. Conexiunea poate fi pornită, numai când indicatorul luminos WiFi clipește. Lumina încercuită roșie ar trebui să clipească.



4. Routerul trebuie să fie setat pe banda largă de 2,4 GHz. Dacă routerul este setat pe 5,0 GHz, nu se poate stabili nicio conexiune.
5. Asigurați-vă că funcția Bluetooth este activată pe smartphone-ul dumneavoastră.
6. Asigurați-vă că smartphone-ul sau tableta sunt conectate cu succes la rețeaua WiFi.
7. Deschideți aplicația „CleanAirOptima” și faceți clic pe „Add device” (Adăugare dispozitiv) . Dispozitivul dvs. este listat și îl puteți selecta. Dacă nu, alegeți „Auto Scan” (Scanare automată). Urmați instrucțiunile de pe ecran pentru a conecta dispozitivul la rețea.
8. Alegeți să adăugați dispozitivul Clean Air Optima<sup>®</sup> în aplicație, urmați instrucțiunile din aplicație.
9. Când dispozitivul este asociat, indicatorul luminos WiFi  rămâne aprins constant.
10. După ce configurarea are succes, puteți utiliza aplicația Clean Air Optima<sup>®</sup> pentru a utiliza dispozitivul.

#### Notă:

- Dacă rețeaua dvs. implicită s-a schimbat, resetați conexiunea WiFi, urmați pașii de la 3 la 8 din secțiunea „Configurare conexiune WiFi”.
- Dacă doriți să asociați mai multe dispozitive cu smartphone-ul sau tableta dvs., trebuie să faceți acest lucru unul după altul.
- Asigurați-vă că distanța dintre smartphone sau tabletă și dispozitiv este mai mică de 5 metri și că nu există obstacole. De asemenea, asigurați-vă că vă aflați în aceeași cameră cu dispozitivul.



## Resetați funcția WiFi:

- Resetați WiFi apăsând butonul „WiFi” timp de 3 secunde, indicatorul luminos al WiFi va clipi rapid.

## Conectați dispozitivele la mai multe telefoane

Notă: Mai întâi, cealaltă persoană trebuie să instaleze aplicația Clean Air Optima<sup>®</sup> pe telefonul său și să creeze un cont nou.

### Partajați dispozitivul cu acces limitat:

Puteți alege să partajați 1 dispozitiv cu mai multe persoane.

Această persoană va avea apoi acces, dar nu va putea gestiona toate setările.

Urmați instrucțiunile de mai jos pentru a partaja dispozitivul cu mai multe persoane:

1. Accesați dispozitivul relevant.
2. Mergeți la creion sau trei puncte din dreapta sus.
3. Selectați „Share device” (Partajare dispozitiv).
4. Alegeți „Add sharing” (Adăugare partajare).
5. Alegeți metoda de partajare, de ex. prin e-mail, whatsapp, sms etc. și continuați.
6. Dispozitivul va apărea automat în aplicația Clean Air Optima<sup>®</sup> cu celălalt cont.

### Partajați dispozitivul cu acces complet:

Puteți adăuga o persoană sau mai multe persoane la managementul casei dvs.

Persoana respectivă va avea apoi acces la toate dispozitivele dvs. care sunt deja conectate și are drepturi și permisiuni complete. Veți rămâne întotdeauna administratorul principal.

Urmați instrucțiunile de mai jos pentru a adăuga pe cineva la gestionarea casei dvs.:

1. Deschideți aplicația Clean Air Optima<sup>®</sup> App și accesați „Me” (Eu).
2. Apoi alegeți „Home Management” (Gestionare locuință).
3. Alegeți „Create a home” (Creare locuință).
4. Selectați „Home” (Locuință) și „Add member” (Adăugare membru).
5. Alegeți metoda de partajare, de ex. prin e-mail, whatsapp, sms etc. și continuați.
6. „Home” (Locuință) va apărea automat în aplicația Clean Air Optima<sup>®</sup> a persoanei cu care ați partajat „Home” (Locuință).
7. Pe celălalt cont:  
Accesați ecranul de start din aplicația Clean Air Optima<sup>®</sup>. Mergeți în stânga sus și selectați „Home” (Locuință).

## Întreținere

### Curățați exteriorul purificatorului de aer

1. Opriți dispozitivul și trageți ștecherul.
2. Utilizați o bucată de pânză moale și umedă pentru a curăța dispozitivul de praf și murdărie.
3. Asigurați-vă că **nu** intră **apă** în dispozitiv.

### Depozitarea Purificatorului de aer Clean Air Optima<sup>®</sup>

1. Deconectați dispozitivul și înfășurați cablul de alimentare.
2. Scoateți și curățați filtrele. După curățare, reinstalați filtrele înapoi în dispozitiv.
3. Se recomandă să împachetați filtrul și unitatea într-o pungă de plastic și să le puneți într-o zonă răcoroasă și uscată. Evitați umezeala, deoarece poate deteriora filtrul True HEPA.

## Înlocuirea filtrelor

Purificatorul **de aer Clean Air Optima CA-502 Desktop Smart** este echipat cu un mecanism de supraveghere a duratei de viață a filtrului, care indică faptul că filtrele trebuie înlocuite după 1400 de ore de funcționare. Pentru a arăta că **filtrul HEPA H13** trebuie înlocuit, indicatorul



luminos se va aprinde, iar dispozitivul emite un indicator luminos dublu zero .Resetați temporizatorul pentru filtru apăsând și menținând apăsat butonul de pornire timp de aproximativ 3 secunde. Dacă indicatorul luminos se stinge, temporizatorul a fost resetat cu succes.

**În funcție de utilizare, filtrul HEPA H13 are o durată de viață de aprox. 4-5 luni.**

### Curățarea filtrului

Cel mai bun efect este obținut prin curățarea filtrelor o dată pe lună. Dacă aerul din interior este extrem de poluat, poate fi necesară o mai bună curățare.

Curățați **prefiltrul** și **filtrul HEPA H13** cu o perie sau cu aspiratorul. În acest fel, particule mai mari de praf, cum ar fi scamele, părul și mătreața animalelor de companie, pot fi îndepărtate din filtru.

**Avertisment!** Nu udați sau clătiți **filtrul HEPA H13** cu apă.

### Semne pentru filtrele uzate

Creșterea zgomotului, reducerea debitului de aer, filtre înfundate, creșterea prezenței mirosurilor. Filtrul trebuie înlocuit cu unul nou, când filtrul HEPA își schimbă culoarea de la alb la gri sau negru. Dacă filtrul HEPA rămâne alb, NU este necesar să înlocuiți filtrul.



### Cum să comandați filtre:

Contactați Serviciul de asistență pentru clienți Clean Air Optima, tel. + 31 (0) 742670145 sau vizitați magazinul nostru web: <https://www.cleanairoptima.com/-accessoires>

## Depanare

Urmează un ghid de depanare care vă poate ajuta să rezolvați problemele pe care le-ați putea avea atunci când utilizați **purificatorul de aer Clean Air Optima CA-502 Desktop Smart**.



Problemă	Cauză posibilă	Soluție
Dispozitivul nu pornește.	Cablul de alimentare nu se conectează corect. Cablul de alimentare este întrerupt. Filtrul nu este instalat corect.	Conectați corect fișa de alimentare și priza de curent. Înlocuiți cablul de alimentare. Instalați corect filtrul. Consultați capitolul: Mod de utilizare.
Orificiul de evacuare a aerului miroase urât.	Filtrul captează prea mult miros sau praf. Durata de viață a filtrelor a expirat.	Înlocuiți filtrele compozite. Înlocuiți filtrele compozite.
Efect de purificare slab.	Verificați dacă umiditatea din încăperea este prea redusă. Dispozitivul este plasat într-o încăperea neventilată sau înconjurată de obstacole.	Creșteți umiditatea. Îndepărtați obstacolele.
Aparatul nu suflă aer.	Orificiul de admisie sau de evacuare a aerului este blocat.	Îndepărtați obstacolele.
<b>Funcționarea cu aplicația Clean Air Optima® nu funcționează.</b>	Smartphone-ul sau tableta nu sunt conectate la rețeaua WiFi. Dispozitivul nu are conexiune la rețea.	Porniți dispozitivul și resetați WiFi-ul pe dispozitiv apăsând butonul WiFi timp de 3 secunde, indicatorul luminos al WiFi va clipi. Apoi urmați pașii 3 până la 10 din capitolul <b>Funcționare cu aplicația Clean Air Optima®</b> .
Codul EO va fi afișat pe afișaj.	Senzorul PM2.5 nu funcționează.	Înlocuiți dispozitivul este conectat la dispozitivul de trekking și se realizează contactul de oprire. Fișa este conectată la contactul de oprire și dispozitivul este conectat la dispozitiv.
Codul FFF din nou formulat pe afișaj.	Motorul este blocat sau oprit.	Dispozitivul este conectat la dispozitivul de trekking și se realizează contactul de oprire. Fișa este conectată la contactul de oprire și dispozitivul este conectat la dispozitiv.

Problemă	Cauză posibilă	Soluție
Codul EEE este scris pe afișaj.	Senzorul PM2.5 din motor nu funcționează.	Dispozitivul este conectat la dispozitivul de trekking și se realizează contactul de oprire. Fișa este conectată la contactul de oprire și dispozitivul este conectat la dispozitiv.

## AVERTISMENT!

Dacă soluțiile recomandate mai sus nu funcționează, contactați asistența tehnică Clean Air Optima la numărul de telefon corespunzător regiunii dvs. Nu încercați să dezamblați, să reasamblați sau să reparați dispozitivul, deoarece acest lucru poate anula garanția.

## Specificații

Model	CA-502 Desktop Smart
Pentru încăperi de până la	20 m <sup>2</sup> /50 m <sup>3</sup> /215 ft <sup>2</sup>
Tensiune nominală a adaptorului	Intrare: 100V - 240V~, 50/ 60Hz, 0.4A sau 1.0A Ieșire: 12V  , 1.5A
Putere nominală	10 W/ 12V  ,
Capacitatea ventilatorului (CADR)	110 m <sup>3</sup> /h
Performanța filtrului	99,97 %
Nivelul sonor	10dB (A) Mod de repaus silențios / 15 dB (A) Scăzut 1 / 25 dB (A) Mediu 2 / 50 dB (A) Mare 3
Dimensiuni	190 x 190 x 235 mm
Greutate	1,5 kg
Culoare	Gri deschis / alb
Respectă reglementările UE	CE/WEEE/RoHS

**Adresați-vă comercianților cu amănuntul sau municipalității dvs. pentru informații actualizate privind eliminarea ambalajului și a dispozitivului.**





## Service

### Certificat de garanție pentru purificatorul de aer Clean Air Optima CA-502 Desktop Smart.

Data achiziției: .....

Nume client: .....

Adresă: .....

Telefon: .....

Email: .....

Nume vânzător: .....

Adresă: .....

1. Completați acest certificat de garanție. Trimiteți-l distribuitorului împreună cu factura și dispozitivul, cu taxe poștale pre-plătite și folosind ambalajul original. Asigurați-vă că includeți taxele poștale pentru retur.
2. Vă rugăm să anexați o scurtă descriere a daunelor sau defecțiunilor și circumstanțele în care au apărut aceste probleme.

Purificatorul **de aer Clean Air Optima CA-502 Desktop Smart** este supus unor proceduri stricte de testare înainte de a părăsi fabrica. Dacă în termen de doi ani de la data achiziționării, produsul nu funcționează în conformitate cu specificațiile din cauza defectelor din fabrică, cumpărătorul are dreptul la reparații gratuite sau la înlocuirea pieselor la prezentarea acestei garanții (cu condiția ca defecțiunea sau deteriorarea dispozitivului și/sau a unor piese să fi apărut în condiții normale de funcționare). Ce este acoperit de garanție: Toate piesele defecte ca material sau manoperă. Pentru cât timp: doi ani de la data cumpărării. Ce vom face: Reparăm sau înlocuim orice piesă defectă.  
Excluderi: Filtre cu înlocuire regulată.

#### Alte condiții

Prevederile prezentei garanții înlocuiesc orice altă garanție scrisă, expresă sau implicită, scrisă sau orală, inclusiv orice garanție de vandabilitate sau adecvare pentru un anumit scop. Răspunderea maximă a producătorului nu trebuie să depășească prețul real de cumpărare plătit de dvs. pentru produs. În nici un caz producătorul nu va fi responsabil pentru daune speciale, întâmplătoare, de consecință sau indirecte. Această garanție nu acoperă un defect care a rezultat din utilizarea sau întreținerea necorespunzătoare sau nerezonabilă, asamblarea defectuoasă, accidente, catastrofe naturale, împachetare necorespunzătoare, manipulare, alterare sau modificare neautorizată determinată de noi în mod unic. Această garanție este nulă dacă eticheta care poartă numărul de serie a fost scoasă sau a devenit ilizibilă.

# Vă mulțumim că ați citit!



Trimiteți feedback-ul dvs. privind purificatorul de aer Clean Air Optima CA-502 Desktop Smart pe: [www.cleanairoptima.com](http://www.cleanairoptima.com)



Pentru întrebări frecvente despre CA-502 Desktop Smart mergeți la: [www.cleanairoptima.com](http://www.cleanairoptima.com) și căutați CA-502 Desktop Smart.



Descărcați manualul de instrucțiuni în format PDF de pe: [www.cleanairoptima.com/info/manuals](http://www.cleanairoptima.com/info/manuals)



Urmăriți toate clipurile video de animație Clean Air Optima de pe: [www.youtube.com](http://www.youtube.com)

**Clean Air Optima International B.V.** | David Ricardostraat 9-7/9-9 | 7559 SH Hengelo (ov)  
Țările de Jos | Telefon: +31 (0) 74-2670145

**Clean Air Optima Germany GmbH** | Enschedestraße 14 | 48529 Nordhorn | Germania  
Telefon: +49 (0) 5921 879-121

**E-mail:** [info@cleanairoptima.com](mailto:info@cleanairoptima.com)

**Internet:** [www.cleanairoptima.com](http://www.cleanairoptima.com)

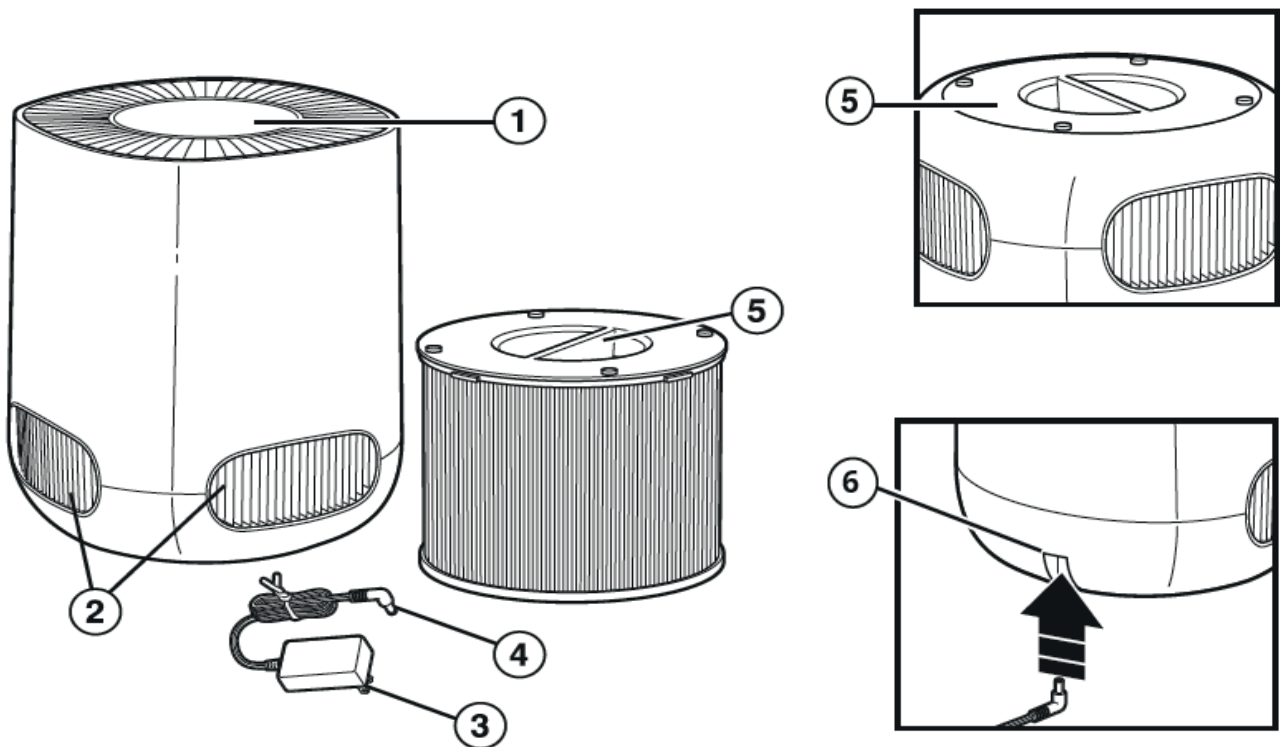
## Lietuvių kalba

Dėkojame, kad įsigijote „Clean Air Optima“ oro valytuvą „CA-502 Desktop Smart“. Linkime jums ne vienus metus mėgautis švariu patalpų oru, naudojant šį veiksmingą ir efektyvų gaminį.

Naudodami šį elektros prietaisą pasirūpinkite, kad būtų laikomasi visų saugos nurodymų ir kad prietaisas veiktų tinkamai. Šioje instrukcijoje aprašomi saugos nurodymai, kurių reikia laikytis naudojant prietaisą. Jie skirti apsaugoti nuo traumų ir išvengti prietaiso pažeidimo.

Prieš naudodami naująjį „Clean Air Optima“ oro valytuvą „CA-502 Desktop Smart“. Pirma nuimkite filtro sandarią pakuotę, žr. 100 psl. „Kaip naudoti“.

### CA-502 Desktop Smart/ Prietaiso aprašymas



1. Valdymo skydelis
2. Apšvietimas (iš 3 pusių)
3. Maitinimo laidas
4. Maitinimo adapteris
5. Tikrasis HEPA H13 filtras ir pirminis filtras
6. Adapterio anga

## Saugos įspėjimai

Šį prietaisą galima naudoti tik laikantis šių saugos instrukcijų. Imkitės toliau nurodytų priemonių, kad sumažintumėte traumų riziką, pavyzdžiui, dėl elektros smūgio ar gaisro.

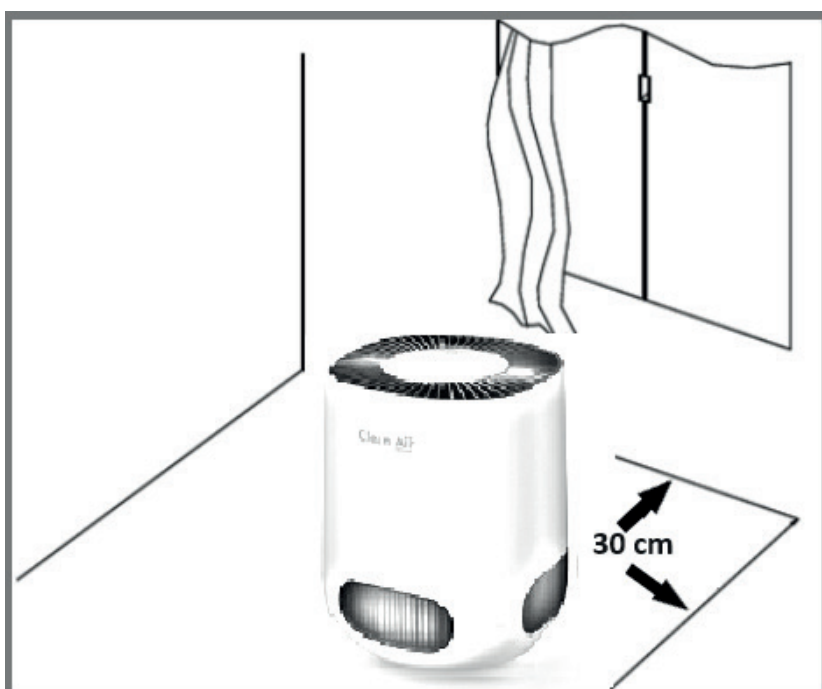
1. Naudokite prietaisą tik patalpose. Nenaudokite ir nelaikykite prietaiso lauke.
2. Šį prietaisą gali naudoti vaikai nuo 8 metų ir asmenys, turintys ribotų fizinių, jutiminių ar protinių gebėjimų arba neturintys patirties ir žinių, jei jie yra prižiūrimi arba yra instruktuojami, kaip saugiai naudoti prietaisą ir supranta pavojus. Vaikai neturi žaisti su įrenginiu. Vaikai be priežiūros negali valyti ir atlikti naudotojo priežiūros.
3. Nenaudokite prietaiso, jei elektros laidas arba pats prietaisas yra pastebimai apgadinti. Jei prietaisas sugadintas, netaisykite jo patys. Prietaiso netraukite už laido. Apgadintą maitinimo laidą turi pakeisti įgaliotas techninės priežiūros darbuotojas, kad būtų išvengta elektros smūgio ar gaisro.
4. Remontą gali atlikti tik įgaliotas techninės priežiūros darbuotojas. Siekdami išvengti elektros smūgio ar gaisro, nbandykite taisyti prietaiso patys.
5. Kai prietaisas nenaudojamas, kištukas visada turi būti atjungtas nuo laido.
6. Naudokite tik pateiktus maitinimo adapterius ir laidus. Patikrinkite, ar adapterio įtampa atitinka vietinę įtampą.
7. Jei prietaiso nenaudosite arba valysite jo vidų ar išorę, ištraukite kištuką.
8. Siekdami užtikrinti saugą, prietaisą padėkite taip, kad jis stovėtų stabiliai ir horizontaliai. Nejudinkite naudojamą prietaiso.
9. Nenaudokite prietaiso patalpose, kur laikomi degūs skysčiai ar dujos, arti šilumos šaltinių arba itin drėgnose patalpose, pavyzdžiui, vonioje.
10. Kad prietaisas nesugestų, niekada nekiškite jokio objekto į korpusą.
11. Niekada neuždenkite oro įleidimo angos ir oro išleidimo angos grotelių.
12. Niekada neišmontuokite ir nekeiskite prietaiso vidinių dalių.
13. Kai prietaisas veikia, nelieskite oro įleidimo ir išleidimo angos grotelių, į oro išleidimo angą nekiškite rankenos ar kito daikto, kad išvengtumėte traumų ir nesugadintumėte oro valytuvo.
14. Neuždenkite oro įleidimo ir išleidimo angos grotelių – nedėkite daiktų ant oro valytuvo priekinio skydelio arba arti jo.
15. Ant prietaiso nedėkite sunkių daiktų.
16. Venkite prietaisą naudoti vietose, kur pasiekia tiesioginiai saulės spinduliai. Kyla rizika, kad prietaisas praras spalvas.
17. Niekada nenardinkite prietaiso į vandenį ar į kitus skysčius.
18. Nelieskite maitinimo laido šlapiomis rankomis.
19. Reguliariai išvalykite pirminį filtrą; jei pirminis filtras prisotintas dulkių, valymo efektas bus prastas. Padidės energijos sąnaudos, o tai gali sukelti gedimą.
20. Prietaiso įprasta darbinė aplinka nuo 10 °C iki 45 °C.
21. Prietaisą naudokite, prižiūrėkite ir valykite pagal šio vadovo nurodymus.

## Kaip naudoti

Nelietojiet ierīci ar noņemtu filtru.

Iškiškite adapterį į adapterio angą oro valytuvo gale ir įkiškite į sieninį lizdą. Išgirsite vieną pyptelėjimą, o oro kokybės indikatorius lemputė užsidegs ir užges.

Prietaisą reikia statyti mažiausiai 30 cm atstumu nuo sienų ir baldų, kad oro srautas būtų geras. Įsitikinkite, kad oro įleidimo ir išleidimo angos neužblokuotos.



## Valdymo pultas / valdymo instrukcija



### 1. Įjungimo mygtukas

Paspaudę maitinimo mygtuką prietaisą įjungsite ir išjungsite.

(Įjungus prietaisą numatytoji nuostata yra „Auto“ (automatinis) režimas).

Oro kokybės indikatoriaus lemputė oro valytuvo priekyje švies skirtingomis spalvomis, nes PM2.5 jutiklis įvertina oro kokybę. Kai baigsite, spalva atspindės esamą oro kokybę. Oro kokybės lygius žr. diagramoje.



### 2. Speed (Ātrums)

Nospiežot pogu „Speed“, ir iespējams mainīt ātrumu. Galimi keli ventilatoriaus greiāiai.

Galite pasirinkti automatinį režimą, 1, 2 arba 3 greitį. Norėdami pasirinkti režimą, kelis kartus palieskite ventilatoriaus greiāio mygtuką.

Pasirinkus nuostatą „Auto“, integruotas išmanusis jutiklis („Intelligent Particle Sensor™“) automatiškai matuoja ir reguliuoja oro kokybę. Jutiklio valdomas ventilatorius automatiškai nustato, kiek užterštas patalpos oras pagal dalelių dydį PM2.5, ir atitinkamai pritaiko trys skirtingus greiāius.

Atitiktis su automatinio režimu rodoma taip:

Jei PM2,5 vertė yra nuo 0 iki 35, greiāio indikatoriaus lemputė rodys 1.

Jei PM2,5 vertė yra nuo 36 iki 55, greiāio indikatoriaus lemputė rodys 2.

Jei PM2,5 vertė yra nuo 56 iki 999, greiāio indikatoriaus lemputė rodys 3.



### 3 Miego režimas

Suaktyvintus miego režimą ekranas išsijungs. Dega tik miego režimo lemputė.

Ventilatoriaus greitis pereina į žemiausią nustatymą.



### 4 Užraktas nuo vaikų

Užraktas nuo vaikų apsaugo prietaisą nuo neleistino naudojimo.

Užraktas nuo vaikų įjungiamas/išjungiamas paspaudus ir 3 sekundes palaikius miego mygtuką, kol pasigirsta pyptelėjimas.



## 5 Anijonų funkcija

Anijonų funkcija įjungiama, kai prietaisas paleidžiamas, ir išjungiama, kai prietaisas išjungiamas. Anijonų funkciją galima įjungti / išjungti APP.



## 6 Filto keitimas

„Clean Air Optima“ oro valytuvas „CA-502 Desktop Smart“ yra su filtrų eksploatacijos laikotarpio kontrolės mechanizmu, kuris duoda signalą, kai po 1400 naudojimo valandų filtrus reikia pakeisti. TNorint parodyti, kad reikia pakeisti sudėtinius filtrus **Tikrasis HEPA**



**H13**, užsidegs indikatorius lemputė, o prietaisas skleidžia dvigubą nulį. Iš naujo nustatykite filtro laikmatį paspausdami ir palaikydami įjungimo mygtuką maždaug 3 sekundes. Jei indikatorius lemputė užgęsta, laikmatis sėkmingai nustatytas iš naujo.



## 7 „WiFi“

„WiFi“ indikatorius.

## Skaitmeninis stebėjimo įtaisas

Skaitmeninis stebėjimo įrenginys oro valytuvo „CA-509Pro Smart“ pusėje, automatiškai ir tiksliai rodo esamą oro kokybę, matuodamas dalelių PM2.5 kiekį.

Particle measurement (PM 2.5)	Air quality
0-35	Green - Good
36-55	Yellow - Moderate
56-999	Red - Bad

Kietųjų dalelių, kurių dydis 10 µm (PM10) ir mažiau – 2,5 µm (PM2.5), gali patekti į plaučius, o tai viena iš 10 didžiausių grėsmių žmogaus sveikatai. Šios mažos dalelės susidaro per įprastus patalpose vykstančius procesus, pavyzdžiui, verdant, kepant, gruzdinant, rūkant, kūrenant, arba didelių kiekių į patalpų orą patenka iš transporto, pramonės ar statybų; taip pat tokiems teršalams priskiriama biologinė medžiaga (žiedadulkės, bakterijos, dulkių erkutės ir virusai) ir iš kitų šaltinių patekusios dalelės, pavyzdžiui, lėktuvų ir kt. išmetamosios dujos ir per ugnikalnių išsiveržimus pasklindančios dalelės.

Tokie alergenai kaip žiedadulkės ir dulkės kiekvieną pavasarį kelia didelę ilgalaikę grėsmę milijonų žmonių sveikatai, ir šis skaičius nuolat didėja.

## Santykinės drėgmės ir temperatūros matavimas

Svarbūs efektyvaus oro valymo aspektai: santykinė drėgmė turi būti 45–60 %, o patalpos temperatūra apie 20–23 °C.

## Darbas su „Clean Air Optima<sup>®</sup>“ programėle

### Ryšys

#### Suderinamumas su išmaniuoju telefonu ir planšetiniu kompiuteriu:

„iPhone“, „iPad“ ir „Android“ prietaisai

#### Prietaisų ryšys per „Wi-Fi“ su programėle:



„CleanAirOptima“

**Dėmesio!** Maršrutizatorius turi būti nustatytas į 2,4 GHz plačiajuostį ryšį. Jei maršrutizatorius nustatytas į 5,0 GHz, neįmanoma užmegzti ryšio.

#### „Wi-Fi“ ryšio nustatymas

1. Iš „App Store“ arba „Google Play“ parduotuvės atsisiųskite ir įdiekite „CleanAirOptima“ programėlę.
2. Susikurkite paskyrą ir prisijunkite.
3. Prijunkite prietaisą prie maitinimo lizdo ir jį prijunkite. Įjungę maitinimą, ilgai paspauskite Wi-Fi mygtuką 3 sekundes, greitai mirksės Wi-Fi indikatoriaus lemputė. Ryšį galima pradėti tik mirksi Wi-Fi indikatoriaus lemputei. Raudona apskritimo lemputė turi mirksėti.



4. Maršrutizatorius turi būti nustatytas į 2,4 GHz plačiajuostį ryšį. Jei maršrutizatorius nustatytas į 5,0 GHz, ryšio užmegzti negalima.
5. Įsitikinkite, kad išmaniajame telefone įjungta „Bluetooth“ funkcija.
6. Įsitikinkite, kad išmanusis telefonas arba planšetinis kompiuteris sėkmingai prijungtas prie „Wi-Fi“ tinklo.
7. Atidarykite „CleanAirOptima“ programėlę ir spustelėkite „Add device“ ( pridėti prietaisą) . Jūsų prietaisas yra sąrašė, todėl galite jį pasirinkti. Jei taip nėra, pasirinkite „Auto Scan“ (automatinis nuskaitymas). Norėdami prijungti prietaisą prie tinklo, vykdykite ekrane pateikiamus nurodymus.
8. Programėlėje pasirinkite įtraukti „Clean Air Optima<sup>®</sup>“ prietaisą, vadovaudamiesi programėlės instrukcijomis.
9. Susiejus prietaisą, „Wi-Fi“ signalinė  lemputė nuolat šviečia.
10. Sėkmingai sukonfigūravę prietaisą, galite naudoti „Clean Air Optima<sup>®</sup>“ programėlę prietaisui valdyti.

#### Pastaba:

- Jei numatytasis tinklas pasikeitė, iš naujo nustatykite „Wi-Fi“ ryšį atlikdami skyriaus „Wi-Fi ryšio nustatymas“ 3–8 veiksmus.
- Jei norite susieti kelis prietaisus su išmaniuoju telefonu ar planšetiniu kompiuteriu, turite tai padaryti vieną po kito.
- Įsitikinkite, kad atstumas tarp išmaniojo telefono ar planšetinio kompiuterio ir prietaiso yra mažesnis nei 5 metrai ir nėra jokių kliūčių. Taip pat įsitikinkite, kad esate toje pačioje patalpoje kaip ir prietaisas.





## **Iš naujo nustatykite „Wi-Fi“ funkciją:**

- Iš naujo nustatykite „Wi-Fi“ paspausdami mygtuką „Wi-Fi“ palaikydami 3 sekundes, „Wi-Fi“ signalinė lemputė greitai mirksės.

## **Prijunkite įrenginius prie kelių telefonų**

Pastaba: Pirmiausia kitas asmuo turi įdiegti „Clean Air Optima<sup>®</sup>“ programėlę savo telefone ir susikurti naują paskyrą.

## **Bendrinkite įrenginį su ribota prieiga:**

Galite pasirinkti bendrinti 1 įrenginį su keliais asmenimis.

Tada šis asmuo turės prieigą, bet negalės valdyti visų nustatymų.

Jei norite bendrinti įrenginį su keliais asmenimis, remkitės toliau pateiktomis instrukcijomis:

1. Pažymėkite atitinkamą įrenginį.
2. Paspauskite pieštuką arba tris taškus viršutiniame dešiniajame kampe.
3. Pasirinkite „Bendrinti įrenginį“.
4. Paspauskite „Pridėti bendrinimą“.
5. Pasirinkite bendrinimo būdą pvz. el.paštu, „whatsapp“, trumpoji žinutė ir pan., tada tęskite.
6. Įrenginys automatiškai bus rodomas „Clean Air Optima<sup>®</sup>“ programėlėje kartu su kita paskyra.

## **Bendrinkite įrenginį su visa prieiga:**

Galite įtraukti asmenį arba kelis asmenis į savo namų valdymą.

Tada tas asmuo turės prieigą prie visų jūsų įrenginių, kurie jau yra susieti, ir turės visas teises bei leidimus. Jūs visada liksite pagrindiniu administratoriumi.

Remkitės toliau pateiktomis instrukcijomis, norėdami įtraukti ką nors į savo namų valdymą:

1. Atverkite „Clean Air Optima<sup>®</sup>“ programėlę ir paspauskite „Aš“.
2. Tada pasirinkite „Namų valdymas“.
3. Pasirinkite „Sukurti namus“.
4. Paspauskite reikiamą „Namai“ ir „Pridėti narį“.
5. Pasirinkite bendrinimo būdą pvz. el.paštu, „whatsapp“, trumpoji žinutė ir pan., tada tęskite.
6. Asmens su kuriam bendrinote savo „Namus“ „Clean Air Optima<sup>®</sup>“ programėlėje automatiškai atsiras atitinkami „Namai“.
7. Kitoje paskyroje:  
Atverkite pagrindinį „Clean Air Optima<sup>®</sup>“ programėlės ekraną. Viršutiniame kairiajame kampe paspauskite „Namai“.

## Techninė priežiūra

### Oro valytuvo išorės valymas

1. Išjunkite prietaisą ir ištraukite kištuką.
2. Nuo prietaiso minkšta drėgna šluoste nuvalykite dulkes ir nešvarumus.
3. Saugokite, kad **į prietaisą** nepatektų vandens.

### „Clean Air Optima<sup>®</sup>“ oro valytuvų švarus oras saugojimas

1. Atjunkite įrenginį nuo elektros tinklo ir sulankstykite maitinimo laidą.
2. Išimkite ir išvalykite filtrus. Išvalę įdėkite filtrus atgal į prietaisą.
3. Rekomenduojama suvynioti filtrą ir įrenginį į plastikinį maišelį ir padėti vėsioje, sausoje vietoje. Venkite drėgmės, nes ji gali pažeisti tikrąjį HEPA filtrą.

## Filtrų keitimas

„Clean Air Optima“ oro valytuvų „CA-502 Desktop Smart“ yra su filtrų eksploatacijos laikotarpio kontrolės mechanizmu, kuris duoda signalą, kai po 1400 naudojimo valandų filtrus reikia pakeisti. Norint parodyti, kad reikia pakeisti Hepa H13 filtrą, užsidegs indikatorius



lemputė, o prietaisas skleidžia dvigubą nulį . Iš naujo nustatykite filtro laikmatį paspausdami ir palaikydami įjungimo mygtuką maždaug 3 sekundes. Jei indikatorius lemputė užgęsta, laikmatis sėkmingai nustatytas iš naujo.

**Priklausomai nuo naudojimo, HEPA H13 filtro eksploatacijos laikotarpis maždaug 4–5 mėnesiai.**

### Filtrų valymas

Didžiausias efektas pasiekiamas filtrus valant kartą per mėnesį. Jei patalpos oras ypač užterštas, gali prireikti valyti dažniau.

Aktyvintosios anglies **pirminį filtrą** ir **HEPA H13 filtrą** valykite šepetėliu ar nusiurbkite dulkių siurbliu. Taip iš filtro galima pašalinti stambesnes dulkių daleles, pavyzdžiui, pūkus, plaukus ir gyvūnų pleiskaną.

**Įspėjimas!** Niekada nešlapinkite ir neplaukite kompozitinių filtro vandeniu.

### Požymiai, kad filtrai nebetinkami naudoti

Padidėjęs garsas, sumažėjęs oro srautas, užkimšti filtrai, stipriau juntami kvapai. Filtrą reikia pakeisti nauju, kai HEPA filtro spalva pakinta iš baltos į pilką arba juodą. Jei HEPA filtras vis dar baltas, jo keisti **NEREIKIA**.



### Kaip užsisakyti filtrų

Paskambinkite į „Clean Air Optima“ klientų aptarnavimo skyrių tel. + 31 (0) 742670145 arba apsilankykite mūsų internetinėje parduotuvėje <https://www.cleanairoptima.com/-accessoires>

## Trikčių šalinimas

Toliau pateikiamas trikčių šalinimo vadovas, kuris padės išspręsti bet kokias problemas, kurių gali kilti naudojant „Clean Air Optima“ oro valytuvą „CA-502 Desktop Smart“.

Problema	Galima priežastis	Sprendimas
Prietaisas neįsijungia.	Maitinimo laidas tinkamai neprijungtas. Maitinimo laidas pažeistas. Netinkamai sumontuotas filtras.	Tinkamai įjunkite maitinimo laido kištuką į maitinimo lizdą. Pakeiskite maitinimo laidą. Teisingai įstatykite filtrą. Žr. skyrių „Kaip naudoti“.
Oro išleidimo anga skleidžia prastą kvapą.	Filtras sulaiko per daug aromato ar dulkių. Filtrų eksploatacijos trukmė pasibaigė.	Pakeiskite kompozitinius filtrus. Pakeiskite kompozitinius filtrus.
Prastas valymo efektas.	Patikrinkite, ar kambario drėgmė ne per maža. Prietaisas laikomas nevėdinamoje patalpoje arba apsuptas kliūčių.	Padidinkite drėgmę. Pašalinkite kliūtis.
Iš prietaiso nepučiamas oras.	Oro įleidimo arba išleidimo anga užblokuota.	Pašalinkite kliūtis.
<b>Nepavyksta dirbti naudojant „Clean Air Optima“ programėlę.</b>	Išmanusis telefonas ar planšetinis kompiuteris neprijungtas prie „WiFi“ tinklo. Įrenginys neturi ryšio su tinklas.	Įjunkite įrenginį ir iš naujo nustatykite įrenginio „Wi-Fi“ paspausdami ir 3 sekundes palaikydami „Wi-Fi“. „Wi-Fi“ signalinė lemputė greitai mirksės. Tada atlikite 3 – 10 veiksmus, nurodytus skyriuje „Darbas su „Clean Air Optima“ programėle“.
Ekrane bus rodomas kodas EO wordt.	PM2.5 jutiklis neveikia.	Prietaisas prijungiamas prie žygio įrenginio ir užfiksuojamas sustojimo kontaktas. Kištukas prijungtas prie sustabdymo kontakto, o įrenginys prijungtas prie įrenginio.
Ekrane vėl surašytas kodas FFF.	Variklis užblokuotas arba sustabdytas.	Prietaisas prijungiamas prie žygio įrenginio ir užfiksuojamas sustojimo kontaktas. Kištukas prijungtas prie sustabdymo kontakto, o įrenginys prijungtas prie įrenginio.

Problema	Galima priežastis	Sprendimas
EEE kodas yra suformuluotas ekrane.	PM2.5 jutiklis variklyje neveikia..	Prietaisas prijungiamas prie žygio įrenginio ir užfiksuojamas sustojimo kontaktas. Kištukas prijungtas prie sustabdymo kontakto, o įrenginys prijungtas prie įrenginio.

## ĮSPĖJIMAS!

Jei pirmiau rekomenduojami sprendimai nepadedą, susisiekiite su „Clean Air Optima“ techninės pagalbos skyriumi jūsų regionui skirtu telefono numeriu. Nebandykite išmontuoti, iš naujo surinkti ar taisyti prietaiso, nes gali būti anuliuota garantija.

## Specifikacijos

Modelis	„CA-502 Desktop Smart“
Tinka patalpoms iki	20 m <sup>2</sup> / 50 m <sup>3</sup> / 215 ft <sup>2</sup>
Vardinė įtampa adapterio	Įvestis: 100V - 240V~, 50/ 60Hz, 0.4A arba 1.0A Išvestis: 12V $\overline{\text{---}}$ , 1.5A
Vardinė galia	10 W/ 12V $\overline{\text{---}}$
Ventiliatoriaus galia (CADR)	110 m <sup>3</sup> /h
Filtro eksploatacinės savybės	99,97 %
Garso lygis	10 dB(A) Tylus miego režimas/ 15 dB(A) Mažas greitis 1 / 25 dB(A) Vidutinis greitis 2 / 50 dB(A) Aukštas 3
Matmenys	190 x 190 x 235 mm
Svoris	1,5 kg
Spalva	Šviesiai pilka/balta
Atitinka ES reglamentus	CE, WEEE, RoHS

Naujausios informacijos apie pakuotės ir prietaiso šalinimą teiraukitės pardavėjo ar savivaldybės.



## Klientų aptarnavimas

### „Clean Air Optima“ oro valytuvo „CA-502 Desktop Smart“ garantinis pažymėjimas

Pirkimo data: .....

Kliento vardas, pavardė: .....

Adresas: .....

Telefonas: .....

El. paštas: .....

Pardavėjo pavadinimas: .....

Adresas: .....

1. Užpildykite visą šį garantinį pažymėjimą. Nusiųskite jį savo platintojui kartu su sąskaita faktūra ir prietaisu originalioje pakuotėje, iš anksto apmokėję siuntimo išlaidas. Nepamirškite prie siuntos pridėti grąžinimo pašto išlaidų kvito.

2. Glaustai aprašykite pažeidimą, triktį ar gedimą, taip pat aplinkybes, kaip šios problemos kilo.

Prieš išsiunčiant iš gamyklos „Clean Air Optima“ oro valytuvui „CA-502 Desktop Smart“ taikomos griežtos patikros procedūros. Jei per dvejus metus nuo pirkimo datos dėl gamybos defektų gaminio veikimas ima nebeatitikti specifikacijų, šį garantinį pažymėjimą pateikęs pirkėjas turi teisę į nemokamą remontą ar dalių keitimą (su sąlyga, kad veikimo triktis arba prietaiso ir (arba) jo dalių gedimas įvyko įprastomis naudojimo sąlygomis). Garantija taikoma: visoms dalims, kurioms nustatyti medžiagų ar gamybos defektai. Trukmė: dveji metai nuo pirkimo datos. Ką padarysime: sutaisysime arba pakeisime dalis su defektais. Išimty: reguliariai keičiami filtrai.

#### Kitos sąlygos

Ši garantija pakeičia bet kokias kitas pareikštas ar numanomas rašytines arba žodines garantijas, įskaitant garantiją dėl tinkamumo prekybai ar konkrečiam tikslui. Maksimalūs gamintojo įsipareigojimai neviršys faktinės gaminio kainos, kurią už jį sumokėjote. Gamintojas jokių atveju nebus atsakingas už specialiuosius, atsitiktinius, netiesioginius ar kaip pasekmė kilusius nuostolius. Ši garantija netaikoma defektams, atsiradusiems dėl netinkamo ar nepagrįsto naudojimo arba priežiūros, netinkamo surinkimo, nelaimingų atsitikimų, stichinių nelaimių, netinkamo pakavimo ar neleistino manipuliavimo prietaisu, taip pat dėl jo keitimo ar modifikavimo, kaip nustatome vien savo nuožiūra. Jei etiketė su serijos numeriu pašalinama ar sugadinama, ši garantija anuluojama.

# Dėkojame, kad perskaitėte!



Pateikite atsiliepimą apie „Clean Air Optima“  
oro valytuvą „CA-502 Desktop Smart“ svetainėje  
[www.cleanairoptima.com](http://www.cleanairoptima.com)



Dažnai užduodamus klausimus apie „CA-502 Desktop Smart“ rasite sve-  
tainėje  
[www.cleanairoptima.com](http://www.cleanairoptima.com) ieškodami „CA-502 Desktop Smart“.



Atsisiųskite instrukcijas PDF formatu svetainėje  
[www.cleanairoptima.com/info/manuals](http://www.cleanairoptima.com/info/manuals)



Žiūrėkite „Clean Air Optima“ produktų  
animacinius vaizdo įrašus svetainėje  
[www.youtube.com](http://www.youtube.com)

**Clean Air Optima International B.V.** | David Ricardostraat 9-7 / 9-9 | 7559 SH Hengelo (ov)  
Nyderlandai | Telefonas +31 (0) 74-2670145

**Clean Air Optima Germany GmbH** | Enschedestraße 14 | 48529 Nordhorn | Vokietija  
Telefonas +49 (0) 5921 879-121

## Eesti keel

### Täname teid õhupuhasti Clean Air Optima CA-502 Desktop Smart ostmise eest.

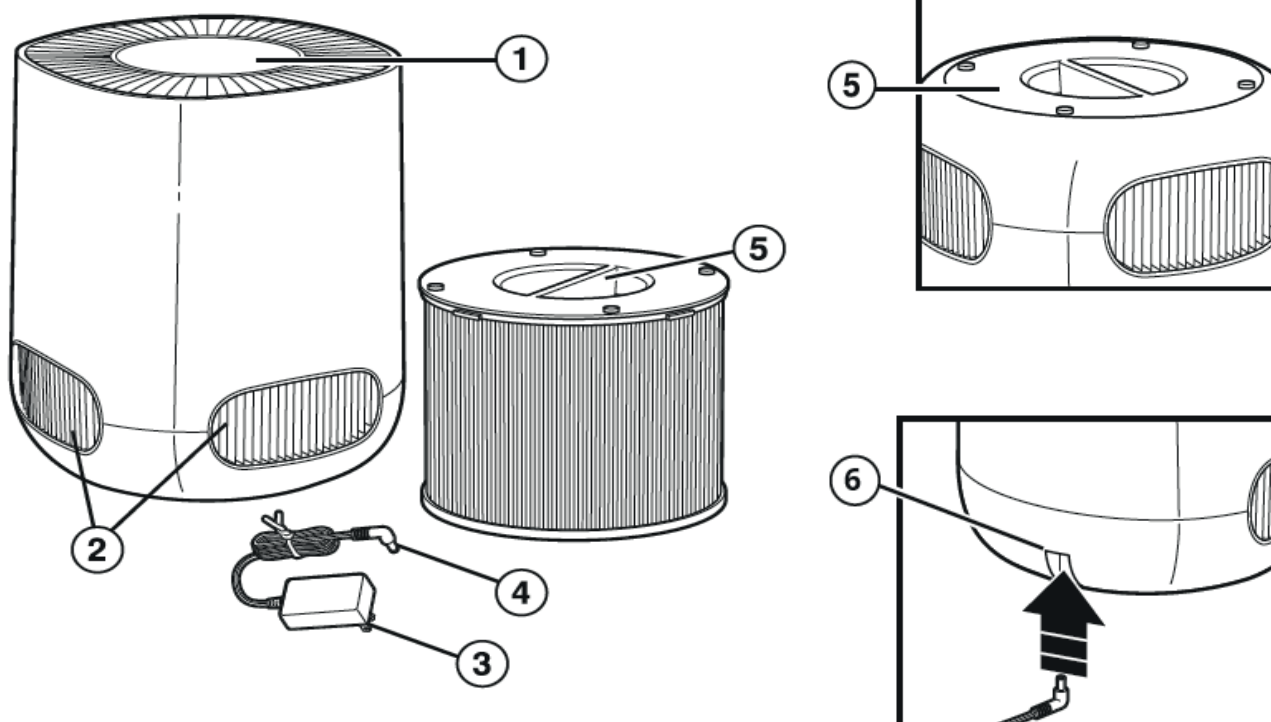
Loodame, et see tõhus ja energiasäästlik toode varustab teid palju aastaid tervisliku siseõhuga.

Tegu on elektriseadmega, mille kasutamisel tuleb järgida ohutusnõudeid. Kasutamisel kehtivad ohutusnõuded on kirjas käesolevas juhendis. Nende eesmärk on vältida kehavigastusi ja seadme kahjustamist.

### Enne uue Clean Air Optima CA-502 Desktop Smart kasutamist.

Esmalt eemaldage filtrite tihend (vt lk 112). Kasutamine.

### CA-502 Desktop Smart / Seadme kirjeldus



1. Juhtpaneel
2. Valgustus (kolmelt küljelt)
3. Toitejuhe
4. Toiteadapter
5. Tõeline HEPA H13 filter ja eelfilter
6. Adapteri ava

## Ohutushoiatused

Seadet tohib kasutada ainult koos nende ohutusjuhistega. Järgmiste ohutusnõuete järgimine on vajalik, et vältida kehavigastusi, näiteks elektrilöögi või põlengu tulemusel.

1. Kasutamiseks ainult siseruumis. Seadme kasutamine või hoiustamine välistingimustes on keelatud.
2. Seda seadet võivad kasutada lapsed vanuses alates 8. eluaastast ning vähenenud füüsiliste, sensorsete või vaimsete võimetega või kogemuste ja teadmiste puudumisega isikud, kui neile on antud järelevalve või juhendatud seadme ohutut kasutamist ja nad mõistavad ohte. Lapsed ei tohi seadmega mängida. Lapsed ei tohi ilma järelevalveta puhastada ja hooldada.
3. Ärge kasutage seadet, kui toitekaabel või seade ise on nähtavalt kahjustatud. Ärge üritage kahjustatud seadet ise remontida. Seadet ei tohi kunagi toitekaablist tõmmata. Kui toitekaabel on vigastatud, peab selle välja vahetama volitatud hooldustehnik, sest vastasel juhul võib tulemuseks olla elektrilöök või põleng.
4. Remonditöid tohivad teostada ainult volitatud hooldustöötajad. Elektrilöögi või põlengu ennetamiseks ärge üritage seadet ise remontida.
5. Kui seade pole kasutuses, ühendage toitekaabel alati lahti.
6. Kasutage ainult seadme komplekti kuuluvaid toiteadaptereid ja kaableid. Kontrollige, et adapteri pinge vastaks kohalikule võrgupingele.
7. Kui seadet ei ole kavas mõnda aega kasutada või soovite selle sisemust või välispinda puhastada, tõmmake pistik pistikupesast välja.
8. Ohutuks kasutamiseks pange seade horisontaalasendisse. Ärge liigutage seadet kasutamise ajal.
9. Ärge kasutage seadet ruumis, kus hoitakse kergestisüttivaid vedelikke või gaase, soojusallikate läheduses ega niiskes ruumis, näiteks vannitoas.
10. Tõrgete ennetamiseks ärge kunagi pistike korpuse sisse ühtegi muud eset.
11. Ärge kunagi katke kinni õhusisendi ja -väljundi võret.
12. Ärge kunagi demonteerige või asendage seadme siseosasid.
13. Kehavigastuste või õhupuhasti kahjustamise vältimiseks ärge puudutage seadme töötamise ajal õhu sisse- ja väljalaskeava võresid ega pange käepidet või mis tahes eset õhu väljalaskeavasse.
14. Õhupuhasti sisse- ja väljalaskeava võre hoidmiseks takistusteta ärge paigutage esemeid õhupuhasti esikatte kohale või lähedusse.
15. Ärge asetage seadmele raskeid esemeid.
16. Vältige otsese päikesevalgusega kohti. On oht, et seade muudab värvi.
17. Ärge kunagi kastke seadet vette või muudesse vedelikesse.
18. Ärge puudutage toitejuhet märgade kätega.
19. Puhastage eelfilter regulaarselt. Kui eelfilter on tolmu täis, puhastab seade õhku halvasti. Energiatarve suureneb ja võib põhjustada rikke.
20. Seadme normaalne töökeskkond on 10 °C kuni 45 °C.
21. Järgige seadme kasutamisel, hooldamisel ja puhastamisel käesoleva juhendi juhiseid.

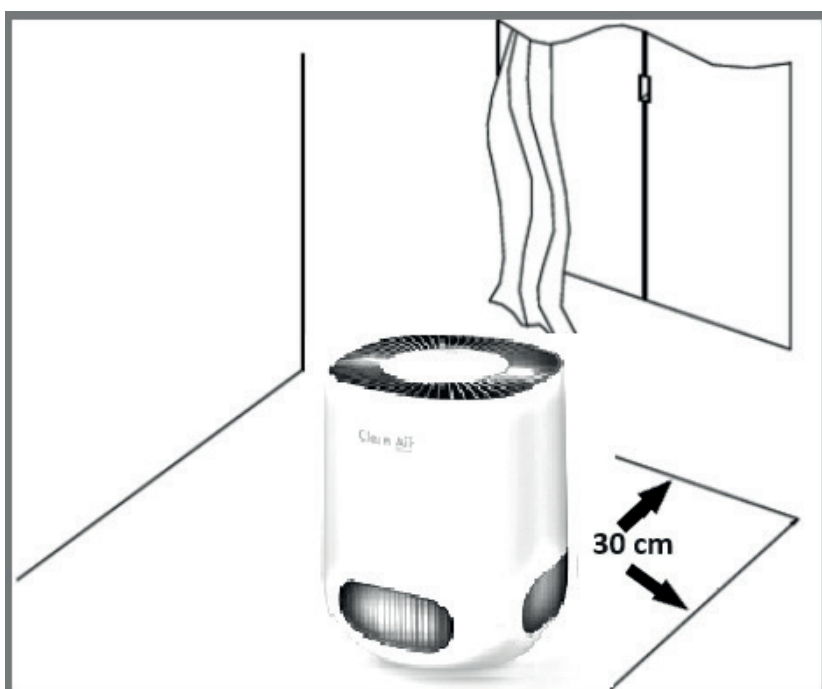


## Kasutamine

Ärge kasutage seadet eemaldatud filtriga.

Sisestage adapter õhupuhasti tagaküljel olevasse adapteri avasse ja ühendage see seinakontakti. Kuulete üht piiksu ning õhukvaliteedi indikaatortuli süttib ja siis kustub.

Seade tuleb paigutada seintest ja mööblist vähemalt 30 cm kaugusele, et õhuvool oleks piisav. Vaadake, et kõik õhu sisse- ja väljalaskevad oleksid vabad.



## Juhtpaneel / kasutusjuhend



### 1 Toitenupp

Toitenupu vajutamisel lülitub seade sisse ja välja.

(Pärast seadme sisselülitamist on see vaikimise režiimis Auto (Automaatne)).

Õhukvaliteedi indikaatortuli õhupuhasi esiküljel valgustab erinevaid värve, kuna PM2.5 andur hindab õhukvaliteeti. Kui see on valmis, peegeldab värv praegust õhukvaliteeti. Õhukvaliteedi tasemete kohta vaadake tabelit.



### 2 Kiirust

Kiirusenupu vajutamisega saate muuta kiiruse taset. Saadaval on mitu ventilaatori kiirust. Saate valida automaatrežiimi, kiiruse 1, 2 või 3. Režiimi valimiseks puudutage korduvalt ventilaatori kiiruse nuppu.

Režiimis **Auto** (Automaatne) mõõdab sisseehitatud andur (Intelligent Particle Sensor™) õhukvaliteeti ja reguleerib puhastusvõimsust automaatselt. Andur tuvastab siseõhus peenosakesi suurusega PM2,5 ja valib automaatselt ühe kolmest ventilaatori kiirusest.

Vastavus automaatrežiimile kuvatakse järgmiselt:

Kui PM2,5 väärtus on vahemikus 0 kuni 35, näitab kiiruse indikaatortuli 1.

Kui PM2,5 väärtus on vahemikus 36 kuni 55, näitab kiiruse indikaatortuli 2.

Kui PM2,5 väärtus on vahemikus 56 kuni 999, näitab kiiruse indikaatortuli 3.



### 3 Režiim Sleep (Uni)

Kui unerežiim on aktiveeritud, lülitub ekraan välja. Põleb ainult unerežiimi tuli. Ventilaatori kiirus läheb madalaimale seadistusele.



### 4 Lapselukk

Lapselukk takistab seadme soovimatut kasutamist.

Lapselukk lülitatakse sisse/välja, vajutades ja hoides all unerežiimi nuppu 3 sekundit, kuni kostub piiks.



## 5 Anioonifunktsioon

Anioonifunktsioon lülitatakse sisse, kui seade käivitub, ja välja, kui seade on välja lülitatud. Anioonifunktsiooni saab rakenduses APP sisse/välja lülitada.



## 6 Filtri vahetus

Õhupuhastil **Clean Air Optima CA-502 Desktop Smart** on filtri kasutusea jälgimise süsteem, mis annab märku, kui filter tuleb 1400 töötunni järel välja vahetada. Näitamaks, et Tõeline HEPA H13 filter vajavad väljavahetamist, süttib märgutuli ja seade kiirgab



topeltnullindikaatorit . RLähtestage filtri taimer, vajutades ja hoides toitenupp nuppu umbes 3 sekundit all. Kui märgutuli kustub, on taimer edukalt lähtestatud.



## 7 WiFi

WiFi indikaator.

## Diginäidik

Õhupuhasti CA-502 Desktop Smart peal olev diginäidikul kuvatakse automaatselt ja täpselt õhukvaliteeti PM2,5 peenosakeste sisalduse.

Particle measurement (PM 2.5)	Air quality
0-35	Green - Good
36-55	Yellow - Moderate
56-999	Red - Bad

Osakesed läbimõõduga 10 µm (PM10) kuni 2,5 µm (PM2,5) kahjustavad kopsu ja on üks 10 suurimast inimtervise ohutegurist. Need peenosakesed tekivad mitmesugustes siseruumides toimuvates protsessides, näiteks küpsetamisel, praadimisel, suitsetamisel ja kütmisel, aga tungivad sisse ka välisõhust, kuhu neid lisandub sõidukite heitgaasidest, tööstusest, ehitustegevusest, bioloogilisest materjalist (õietolm, bakterid, tolmukestad ja viirused). Need võivad pärineda kõrgelt, näiteks lennukite heitgaasidest, ning kaugelt, näiteks vulkaanipursetest.

Õietolm, tolm ja muud allergeenid põhjustavad igal kevadel miljonitele inimestele raskeid terviseprobleeme; allergikute arv kasvab pidevalt.

## Õhuniiskuse ja temperatuuri mõõtmine

Õhu efektiivseks puhastamiseks peaks suhteline õhuniiskus olema 45–60% ja temperatuur ligikaudu 20–23 °C.

## Rakenduse Clean Air Optima<sup>®</sup> kasutamine

### Ühenduvus

**Ühilduvus nutitelefoniga ja tahvelarvutiga:**  
iPhone'i, iPadi ja Androidi seadmed


**Seade ühendub WiFi kaudu rakendusega:**  
CleanAirOptima

**Tähelepanu!** Ruuter peab olema seatud 2,4 GHz lairibale. Kui ruuter on seatud 5,0 GHz peale, ei ole võimalik ühendust luua.

### Seadistage WiFi-ühendus

1. Laadige alla ja installige rakendus „CleanAirOptima“ App Store 'ist või Google Play Store' ist.
2. Looge konto ja logige sisse.
3. Ühendage seade pistikupessa ja lülitage see sisse. Pärast toite sisselülitamist vajutage WiFi nuppu pikalt ja 3 sekundit, WiFi märgutuli hakkab kiiresti vilkuma. Ühenduse saab alustada ainult siis, kui WiFi märgutuli vilgub. Punane ringiga tuli peaks vilkuma.



4. Ruuter peab olema seatud 2,4 GHz lairibale. Kui ruuter on seatud 5,0 GHz peale, ei saa ühendust luua.
5. Veenduge, et Bluetooth oleks nutitefonis lubatud.
6. Veenduge, et teie nutitefon või tahvelarvuti on edukalt WiFi-võrguga ühendatud.
7. Avage rakendus CleanAirOptima ja klõpsake suvandit Lisa seade +. Teie seade on loendis ja saate selle valida. Kui mitte, valige Auto Scan (Automaatne skannimine). Seadme võrguga ühendamiseks järgige ekraanil kuvatavaid juhiseid.
8. Valige rakenduse Clean Air Optima<sup>®</sup> seadme lisamine, järgige rakenduse juhiseid.
9. Kui seade on seotud, jääb WiFi märgutuli  pidevalt põlema.
10. Kui konfigureerimine on edukas, saate seadme juhtimiseks kasutada rakendust Clean Air Optima<sup>®</sup>.

### Märkus.

- Kui teie vaikevõrk on muutunud, lähtestage WiFi-ühendus, järgides juhiseid 3-8 jaotises „WiFi-ühenduse seadistamine“.
- Kui soovite siduda nutitelefoni või tahvelarvutiga mitu seadet, peate seda tegema üksteise järel.
- Veenduge, et nutitelefoni või tahvelarvuti ja seadme vaheline kaugus on alla 5 meetri ja takistus ei ole. Samuti veenduge, et olete seadmega samas ruumis.

### Lähtestage WiFi-funktsioon:

- lähtestage WiFi, vajutades 3 sekundit nuppu „WiFi“, WiFi märgutuli vilgub kiiresti.



## Seadmete ühendamine mitme telefoniga

Märkus. Esmalt peab teine inimene oma telefoni installima Clean Air Optima® rakenduse ja looma uue konto.

### Jagage seadet piiratud juurdepääsuga.

Saate valida 1 seadme jagamise mitme inimesega.

Sellel inimesel on seejärel juurdepääs, kuid ta ei saa kõiki seadeid hallata.

Seadme jagamiseks mitme inimesega järgige allolevaid juhiseid.

1. Minge vastava seadme juurde.
2. Minge paremas ülanurgas oleva pliiatsi või kolme punkti juurde.
3. Valige „Jaga seadet“.
4. Valige „Lisa jagamine“.
5. Valige jagamise viis nt e-posti, whatsappi, sms-i vms kaudu ja jätkake.
6. Seade ilmub Clean Air Optima® rakenduses automaatselt koos teise kontoga.

### Jagage seadet täieliku juurdepääsuga.

Saate oma kodujuhtimisse lisada ühe inimese või mitu inimest.

Sellel inimesel on seejärel juurdepääs kõigile teie seadmetele, mis on juba lingitud ning tal on kõik õigused ja load. Jäate alati peadministraatoriks.

Järgige allolevaid juhiseid, et lisada keegi oma kodujuhtimisse.

1. Avage Clean Air Optima® rakendus ja minge jaotisesse „Mina“.
2. Seejärel valige „Kodujuhtimine“.
3. Valige „Loo kodu“.
4. Valige vastav „Kodu“ ja „Lisa liige“.
5. Valige jagamise viis nt e-posti, whatsappi, sms-i vms kaudu ja jätkake.
6. Vastav „Kodu“ kuvatakse automaatselt selle isiku Clean Air Optima® rakenduses, kellega te oma „Kodu“ jagasite.
7. Teisel kontol.

Minge Clean Air Optima® rakenduses avaekraanile. Minge üles vasakule ja valige „Kodu“.

## Hooldamine

### Õhupuhasti välispinna puhastamine

1. Lülitage seade välja ja tõmmake pistik pistikupesast.
2. Puhastage seade tolmust ja mustusest niiske pehme lapiga.
3. Vesi **ei tohi** sattuda seadme sisse.

### Õhupuhasti puhas õhk Clean Air Optima<sup>®</sup> hoiustamine

1. Tõmmake pistik pistikupesast välja ja kerige toitekaabel kokku.
2. Eemaldage ja puhastage filtrid. Pärast puhastamist paigaldage filtrid uuesti seadmesse.
3. Soovitatav on pakkida filter ja seade kilekotti ning asetada jahedasse kuiva kohta. Vältige niiskust, kuna see võib True HEPA filtrit kahjustada.

## Filtrite vahetamine

Õhupuhastil **Clean Air Optima CA-502 Desktop Smart** on filtri kasutusea jälgimise süsteem, mis annab märku, kui filter tuleb 1400 töötunni järel välja vahetada. Näitamaks, et **HEPA H13**



**filter** vajavad väljavahetamist, süttib märgutuli ja seade kiirgab topeltnullindikaatorit . RLähtestage filtri taimer, vajutades ja hoides toitenupp umbes 3 sekundit all. Kui märgutuli kustub, on taimer edukalt lähtestatud.

**Filtri HEPA H13 kasutusiga on olenevalt kasutamisest 4–5 kuud.**

### Filtrite puhastamine

Efektiveimaks õhupuhastamiseks on soovitatav puhastada filtreid kord kuus. Kui siseõhk on väga saastunud, võib olla vaja puhastada sagedamini.

Puhastage **eelfilter** ja **HEPA-filter** harja või tolmuimejaga. Eesmärk on eemaldada filtri välispinnalt suuremad mustuseosakesed, näiteks riidekiud ning loomade karvad ja nahatolm.

**Hoiatus!** Filtri **HEPA** ei tohi veega märjaks teha ega loputada.

### Filtrite vahetamise vajaduse tundemärgid

Suurenenud müratase, vähenenud õhuvool ja tugevnenud lõhn. HEPA-filter tuleb uuega asendada, kui selle värv muutub valgest halliks või mustaks. Valget HEPA-filtrit EI OLE vaja vahetada.



### Filtrite tellimine:

võtke ühendust Clean Air Optima klienditeenindusega telefonil + 31 (0) 742670145 või külastage meie e-poodi: <https://www.cleanairoptima.com/-accessoires>

## Veaotsing

Järgmine veaotsingujuhend aitab lahendada õhupuasti **Clean Air Optima CA-502 Desktop Smart** kasutamise käigus tekkida võivaid probleeme.

Probleem	Võimalik põhjus	Lahendamine
Seade ei lülitu sisse.	Toitekaabel pole õigesti ühendatud. Toitepistik on purunenud. Filter pole õigesti paigaldatud.	Ühendage toitepistik ja pistikühendus õigesti. Vahetage toitejuhe välja. Paigaldage filter õigesti. Vt ptk: Kasutamine
Õhu väljalase lõhnab halvasti.	Filter püüab kinni liiga palju lõhna või tolmu. Filtrite kasutusiga on lõppenud.	Vahetage liitfiltrid välja. Vahetage liitfiltrid välja.
Halb puhastamistoime.	Kontrollige, kas ruumi õhuniiskus on liiga madal. Seade on paigutatud õhuvahetusega ruumi või seade on ümbritsetud takistustest.	Suurendage õhuniiskust. Eemaldage takistused.
Seade ei puhu õhku välja.	Õhu sisselase või väljalase on ummistunud.	Eemaldage takistused.
<b>Rakendusega Clean Air Optima® kasutamine</b> ei toimi.	Nutitelefoni või tahvelarvuti pole WiFi-võrguga ühendatud. Seadmel puudub võrguühendus.	Lülitage seade sisse ja lähtestage seadme WiFi, vajutades 3 sekundit nuppu WiFi, WiFi märgutuli vilgub. Kui järgite juhiseid 3-10 peatükis <b>Kasutamine rakendusega Clean Air Optima®</b> .
Ekraanil kuvatakse kood EO wordt.	PM2.5 andur ei tööta.	Seade ühendatakse trekiseadmega ja tehakse peatuskontakt. Pistik on ühendatud stop-kontaktiga ja seade on seadmega ühendatud.
Kuvatakse uuesti kood FFF.	Mootor on blokeeritud või seiskunud.	Seade ühendatakse trekiseadmega ja tehakse peatuskontakt. Pistik on ühendatud stop-kontaktiga ja seade on seadmega ühendatud.

Probleem	Võimalik põhjus	Lahendamine
Kood EEE on sõnastatud ekraanil.	Mootori PM2.5 andur ei tööta.	Seade ühendatakse trekiseadmega ja tehakse peatuskontakt. Pistik on ühendatud stop-kontaktiga ja seade on seadmega ühendatud.

## HOIATUS!

Kui ülal soovitatud lahendused ei tööta, helistage oma piirkonna Clean Air Optima tehnilise toe telefoninumbrile. Ärge üritage seadet lahti võtta, uuesti kokku panna ega remontida, kuna sel juhul võib kaotada garantii kehtivuse.

## Tehnilised andmed

Mudel	CA-502 Desktop Smart
Sobiv ruumidele suurusega kuni	20 m <sup>2</sup> / 50 m <sup>3</sup> / 215 ft <sup>2</sup>
Nimipinge adapter	Sisend: 100V - 240V~, 50/ 60Hz, 0.4A või 1.0A Väljund: 12V $\overline{=}$ , 1.5A
Nimivõimsus	10 W/ 12V $\overline{=}$
Ventilaatori jõudlus (CADR)	110 m <sup>3</sup> /h
Filtrite jõudlus	99,97%
Müratase	10 dB(A) vaikne puhkerežiim / 15 dB(A) Madal 1 / 25 dB(A) Keskmine 2 / 50 dB(A) Kõrge 3
Mõõtmed	190 x 190 x 235mm
Kaal	1,5kg
Värv	Helehall / valge
Vastab ELi määrustele	CE / WEEE / RoHS

**Pakendi ja seadme kõrvaldamise kohta küsige uusimat teavet seadme müüjalt või kohalikust omavalitsusest.**





## Remont

### Garantiitõend õhupuhastile Clean Air Optima CA-502 Desktop Smart.

Ostmiskuupäev: .....

Kliendi nimi: .....

Aadress: .....

Telefon: .....

E-posti aadress: .....

Müüja nimi: .....

Aadress: .....

1. Täitke garantiitõendi kõik väljad. Saatke see koos ostukviitungi ja seadmega originaalpakendis jaemüüjale, kellelt seadme ostsite, makstes postitasu ise ette. Lisage kindlasti paki tagastamiseks vajalik summa.

2. Lisage lühike kirjeldus kahjustusest, rikkest või tõrkest ja probleemi tekkimise asjaoludest.

Õhupuhasti **Clean Air Optima CA-502 Desktop Smart** läbib enne tehast väljumist range kvaliteedikontrolli. Kui tootel ilmneb 2 aasta jooksul pärast ostukuupäeva rike, mille põhjuseks on tootmisdefekt, siis on ostjal garantiitõendi esitamisel õigus toote tasuta parandamisele või selle osade asendamisele (tingimuse et seadme ja/või selle osade rike või kahjustus tekkis tavapärasel kasutamisel). Millele garantii kehtib: kõigi osade materjali- ja koostedefektid. Kui kaua: kaks aastat pärast ostmiskuupäeva. Mida me teeme: remondime või asendame defektsed osad.

Erandid: tavalised asendusfiltrid.

### Muud tingimused

Käesoleva garantii tingimused asendavad kõik muud kirjalikud ja suulised sõnaselged ja kaudsed garantiid, sh kaubastatavuse ja kindlaks otstarbeks sobivuse garantiid. Tootja vastutus ei ületa mingil juhul toote eest makstud ostuhinda. Erandlike, kaasnevate, ettenägematute ja kaudsete kahjude eest tootja ei vastuta. Garantii ei kehti defektidele, mille põhjuseks on vale või hooletu kasutamine või hooldamine, vale kokkupanemine, õnnetusjuhtum, looduskatastroof, vale pakendamine või loata lahtivõtmine, muutmise või modifitseerimine, kusjuures sellised asjaolud teeme kindlaks meie ainuisikuliselt. Kui seerianumbriga silt on eemaldatud või rikutud, siis garantii ei kehti.

# Täname teid lugemise eest.



Andke tagasisidet õhupuhasti Clean Air Optima CA-502 Desktop Smart kohta veebisaidil [www.cleanairoptima.com](http://www.cleanairoptima.com)



Korduma kippuvaid küsimusi CA-502 Desktop Smart kohta otsige veebisaidilt [www.cleanairoptima.com](http://www.cleanairoptima.com) märgusõnaga „CA-502 Desktop Smart“.



PDF-vormingus kasutusjuhendi saab alla laadida veebilehelt [www.cleanairoptima.com/info/manuals](http://www.cleanairoptima.com/info/manuals)



Kõiki Clean Air Optima tooteanimatsioonide videoid saate vaadata veebisaidil [www.youtube.com](http://www.youtube.com)

**Clean Air Optima International B.V.** | David Ricardostraat 9-7 / 9-9 | 7559 SH Hengelo (ov)  
The Netherlands | Telefon: +31 (0) 74 - 2670145

**Clean Air Optima Germany GmbH** | Enschedestraße 14 | 48529 Nordhorn | Saksamaa  
Telefon: +49 (0) 5921 879-121

**E-posti aadress:** [info@cleanairoptima.com](mailto:info@cleanairoptima.com)

**Internet:** [www.cleanairoptima.com](http://www.cleanairoptima.com)

## Latviešu valodā

### Paldies, ka iegādājāties gaisa attīrītāju Clean Air Optima CA-502 Desktop Smart!

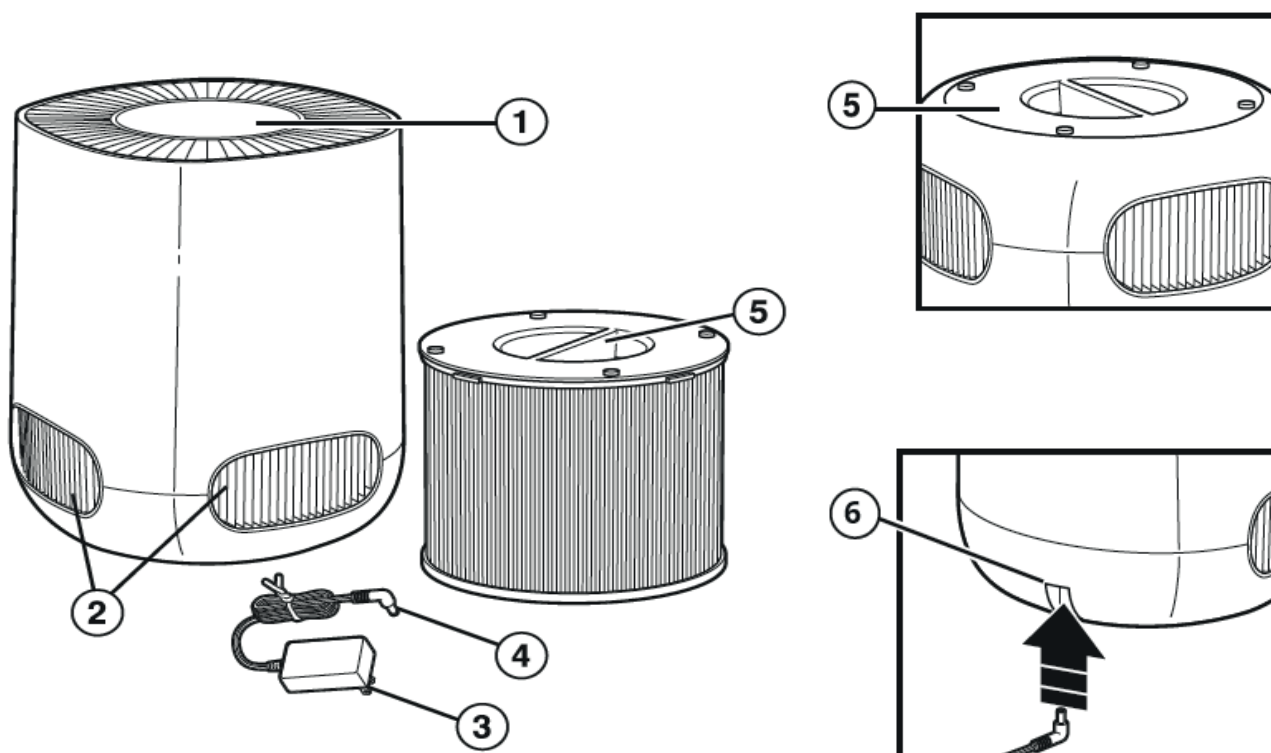
Ceram, ka varēsiet ilgstoši izbaudīt veselīgu iekštelpu gaisu, pateicoties šim efektīvajam un lietderīgajam izstrādājumam.

Pārliecinieties, vai tiek ievēroti visi drošības pasākumi, lai atbilstoši izmantotu šo elektroierīci. Šajā rokasgrāmatā ir sniegti drošības norādījumi, kas jāievēro darbības laikā. Tie ir paredzēti, lai novērstu traumas un izvairītos no ierīces bojājumiem.

### Pirms jaunā gaisa attīrītāja Clean Air Optima CA-502 Desktop Smart izmantošanas.

Vispirms noņemiet blīvējumu no filtriem; skatiet 124. lpp. Lietošana

## CA-502 Desktop Smart / Ierīces apraksts



1. Vadības panelis
2. Apgaismojums (no 3 pusēm)
3. Strāvas vads
4. Strāvas adapteris
5. Īsts HEPA H13 filtrs un priekšfiltrs
6. Adaptera atvere

## Drošības brīdinājumi

Šo ierīci drīkst lietot tikai saskaņā ar šiem drošības norādījumiem. Lai maksimāli samazinātu miesas bojājumu risku, ko varētu izraisīt, piemēram, elektriskās strāvas trieciens vai aizdegšanās, ievērojiet tālāk sniegtos norādījumus.

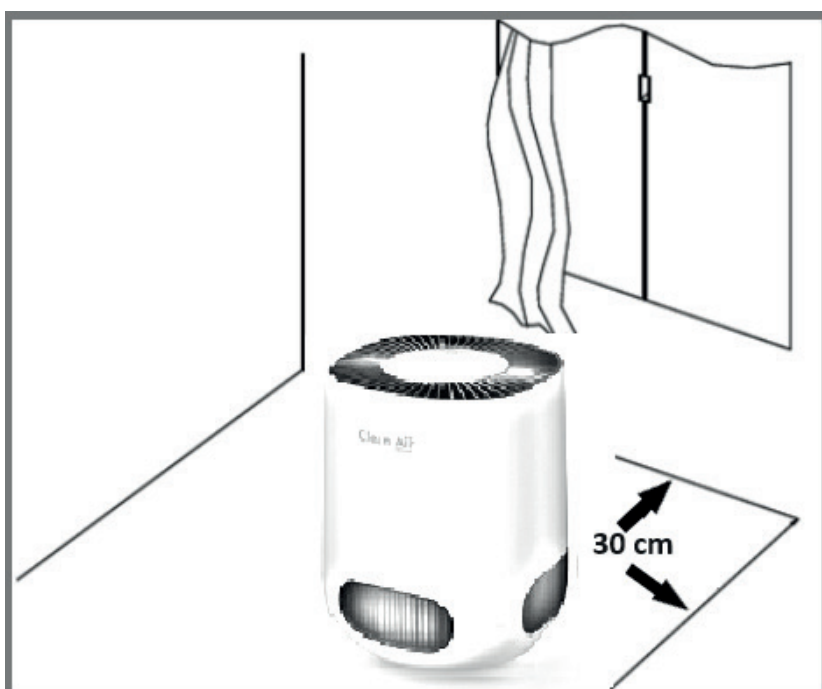
1. Tikai lietošanai telpās. Nelietojiet un neuzglabājiet ārā.
2. Šo ierīci var lietot bērni no 8 gadu vecuma un personas ar ierobežotām fiziskām, maņu vai garīgām spējām vai pieredzes un zināšanu trūkumu, ja viņiem ir sniegta uzraudzība vai norādījumi par ierīces lietošanu drošā veidā un viņi saprot riskus. Bērni nedrīkst spēlēties ar ierīci. Tīrīšanu un lietotāja apkopi nedrīkst veikt bērni bez uzraudzības.
3. Nelietojiet ierīci, ja konstatējat redzamus elektrības kabeļa vai pašas ierīces bojājumus. Ja radies bojājums, nelabojiet ierīci patstāvīgi. Nekad nevelciet ierīci aiz kabeļa. Ja elektrības kabelis ir bojāts, tā nomaiņa ir jāveic autorizētam apkopes speciālistam, lai novērstu elektriskās strāvas triecienu vai aizdegšanos.
4. Remontdarbus var veikt tikai autorizēts apkopes speciālists. Lai izvairītos no elektriskās strāvas trieciena vai aizdegšanās, nemēģiniet pats veikt ierīces remontu.
5. Ja ierīce netiek izmantota, atvienojiet strāvas vadu no kontaktligzdas.
6. Izmantojiet tikai komplektācijā ietilpstošos strāvas adapterus un vadus. Pārbaudiet, vai adaptera spriegums atbilst izmantotā tīkla spriegumam.
7. Atvienojiet kontaktdakšu no kontaktligzdas, kad nelietojat ierīci vai veicat tās iekšējo vai ārējo daļu tīrīšanu.
8. Drošības iemeslu dēļ novietojiet ierīci stabilā, horizontālā stāvoklī. Nepārvietojiet ierīci lietošanas laikā.
9. Nelietojiet ierīci telpās, kurās tiek glabāti uzliesmojoši šķidrumi vai gāzes, tuvu karstuma avotiem vai tādās sevišķi mitrās vietās kā vannasistaba.
10. Lai izvairītos no ierīces bojājumiem, neievietojiet tās korpusā svešķermeņus.
11. Neaizsedziet gaisa ieplūdes un izplūdes režģus.
12. Neizjauciet un nemainiet ierīces iekšējās detaļas.
13. Kad ierīce darbojas, nepieskarieties gaisa ieplūdes un izplūdes režģiem un neievietojiet gaisa izvadā rokturi vai citus priekšmetus, lai izvairītos no traumām un gaisa attīrītāja bojājumiem.
14. Lai nenosprostotu gaisa attīrītāja gaisa ieplūdes un izplūdes režģi, nenovietojiet priekšmetus uz gaisa attīrītāja priekšējā pārsega vai blakus tam.
15. Nenovietojiet uz ierīces smagus priekšmetus.
16. Nenovietojiet ierīci tiešā saules gaismā. Ierīces korpuss var mainīt krāsu.
17. Neiemērciet ierīci ūdenī vai citos šķidrumos.
18. Nepieskarieties elektrības kabelim ar mitrām rokām.
19. Regulāri iztīriet priekšfiltru; ja priekšfiltrs ir pilns ar putekļiem, netiks nodrošināta pienācīga gaisa attīrīšana. Palielināsies enerģijas patēriņš un var rasties kļūme.
20. Parastā ierīces darba vides temperatūra ir diapazonā no 10 °C līdz 45 °C.
21. Lietojiet, uzturiet un tīriet ierīci tā, kā aprakstīts šajā rokasgrāmatā.

## Lietošana

Nenaudokite prietaiso su pašalintu filtru.

Ievietojiet adapteri adaptera atverē gaisa attīrītāja aizmugurē un pievienojiet to sienas kontaktligzdai. Jūs dzirdēsiet vienu pīkstienu, un gaisa kvalitātes indikators iedegsies un pēc tam nodzīsīs.

Ierīcei jāatrodas vismaz 30 cm no sienām un mēbelēm, lai nodrošinātu labu gaisa plūsmu. Pārliecinieties, ka gaisa ievades un izvades atveres nav nosprostotas.



## Vadības panelis/lietošanas norādījumi



### 1 Ieslēgšanas/izslēgšanas poga

Nospiežot ieslēgšanas/izslēgšanas pogu, ierīce tiek ieslēgta un izslēgta. (Ieslēdzot ierīci, noklusējuma režīms ir Automātiski).

Gaisa kvalitātes indikatora gaisma gaisa attīrītāja priekšpusē izgaismos dažādas krāsas, jo PM2.5 sensors novērtē gaisa kvalitāti. Pēc pabeigšanas krāsa atspoguļos pašreizējo gaisa kvalitāti. Gaisa kvalitātes līmeņus skatiet tabulā.

### 2 Greitis

Paspaudus greiāču mygtuku, galima keisti greiāču lygj. Ir pieejami vairāki ventilatora ātrumi. Varat izvēlēties automātisko režīmu, ātrumu 1, 2 vai 3. Atkārtoti pieskarieties ventilatora ātruma pogai, lai izvēlētos režīmu.

Režīmā **Automatic** (Automātiski) iebūvētais viedais daļiņu sensors (Intelligent Particle Sensor™) automātiski mēra un uzrauga gaisa kvalitāti. Ventilators, ko vada sensors, automātiski konstatē, cik lielā mērā gaiss telpās ir piesārņots ar PM 2,5 izmēra daļiņām un attiecīgi pielāgo to 3 dažādiem ātrumiem.

Atbilstība automātiskajam režīmam tiek parādīta šādi:

Ja PM2,5 vērtība ir no 0 līdz 35, ātruma indikatora gaisma rādīs 1.

Ja PM2,5 vērtība ir no 36 līdz 55, ātruma indikatora gaisma rādīs 2.

Ja PM2,5 vērtība ir no 56 līdz 999, ātruma indikatora gaisma rādīs 3.

### 3 Sleep mode (miega režīms):

Kad tiek aktivizēts miega režīms, displejs izslēgsies. Spīd tikai miega režīma gaismiņa. Ventilatora ātrums pāriet uz zemāko iestatījumu.

### 4 Bērnu drošības slēdzenek

Bērnu drošības slēdzene aizsargā pret nevēlamu ierīces lietošanu.

Bērnu slēdzeni ieslēdz/izslēdz, nospiežot un 3 sekundes turot nospiestu miega pogu, līdz atskan pīkstiens.



## 5 Anjonu funkcija

Anjonu funkcija tiek ieslēgta, kad ierīce tiek ieslēgta un izslēgta pēc tam, kad ierīce ir tikusi izslēgta. Anjonu funkciju var ieslēgt/izslēgt lietotnē APP.



## 6 Filtra maiņa

Viedais gaisa attīrītājs **Clean Air Optima CA-502 Desktop Smart** ir aprīkots ar filtra darbības uzraudzības mehānismu, kas norāda, ka filtri jāmaina pēc 1400 darba stundām. Lai parādītu, ka ir jānomaina saliktie īsts HEPA H13 filtrs iedegsies



indikators un ierīce izstaro dubultu nulles indikatoru indikatoru. Atiestatiet filtra taimeri, nospiežot un apmēram 3 sekundes turot ieslēgšanas/izslēgšanas pogu. Ja indikators nodziest, taimeris ir veiksmīgi atiestatīts.



## 7 WiFi

WiFi indikators.

## Digitālais monitors

Digitālais monitors gaisa attīrītāja CA-502 Desktop Smart priekšā automātiski un precīzi norāda faktisko gaisa kvalitāti, nosakot daudzuma līmeni daļiņām, kuru lielums ir PM 2,5.

Particle measurement (PM 2.5)	Air quality
0-35	Green - Good
36-55	Yellow - Moderate
56-999	Red - Bad

Daļiņas, kas ir 10 µm (PM 10) lielas un mazākas — 2,5 µm (PM 2,5) — var iekļūt plaušās; šīs daļiņas ir iekļautas sarakstā starp 10 lielākajiem cilvēku veselības apdraudētājiem. Šīs mazās daļiņas rodas, veicot tipiskas darbības telpās, piemēram, gatavojot, cepot cepeškrāsnī un uz pannas, smēķējot, kā arī apsildot telpas, vai arī tās lielos daudzumos nonāk telpās transporta, ražošanas, būvniecības, bioloģiska materiāla (putekšņu, baktēriju, ērcīšu un vīrusu) pārvietošanas dēļ, kā arī tām atceļojot no citiem reģioniem (ar lidmašīnu), ar izplūdes gāzēm vai vulkāna izvirdumiem.

Tādi alergēni kā putekšņi vai putekļi katru pavasari rada būtisku un ilgstošu apdraudējumu veselībai miljoniem cilvēku: šis skaits nemitīgi pieaug.

## Relatīvā mitruma un temperatūras mērījumi

Svarīgi efektīvas gaisa attīrīšanas aspekti ir relatīvais mitrums no 45 līdz 60 % un telpas temperatūra apmēram 20–23 °C.

## Darbs ar Clean Air Optima<sup>®</sup> lietotni

### Savienojamība

#### Saderība ar viedtālruni un planšetdatoru:

iPhone, iPad un Android ierīces

#### Ierīce veido savienojumu, izmantojot WiFi, ar lietotni:



CleanAirOptima

**Uzmanību!** Maršrutētājam jābūt iestatītam darbam 2,4 GHz platjoslā. Ja maršrutētājs ir iestatīts darbam 5,0 GHz, savienojumu izveidot nav iespējams.

### WiFi savienojuma izveide

1. Lejupielādējiet lietotni CleanAirOptima no App Store vai Google Play un instalējiet to.
2. Izveidojiet kontu un piesakieties.
3. Pieslēdziet ierīci strāvai un ieslēdziet to. Pēc ieslēgšanas 3 sekundes turiet nospiestu WiFi pogu, ātri mirgos Wi-Fi indikators. Savienojumu var sākt tikai tad, kad mirgo WiFi indikators. Sarkanajai apla gaismai vajadzētu mirgot.



4. Maršrutētājam jābūt iestatītam darbam 2,4 GHz platjoslā. Ja maršrutētājs ir iestatīts darbam 5,0 GHz, savienojumu nevar izveidot.
5. Pārliedzinieties, ka viedtālrunī ir iespējots Bluetooth.
6. Pārliedzinieties, ka viedtālrunis vai planšetdators ir veiksmīgi savienots ar WiFi tīklu.
7. Atveriet lietotni CleanAirOptima un noklikšķiniet uz "Add device" (Pievienot ierīci) . Ierīce ir norādīta sarakstā, un jūs varat to atlasīt. Ja tā nav, izvēlieties "Auto Scan" (Automātiskā skenēšana). Izpildiet ekrānā redzamos norādījumus, lai pievienotu ierīci tīklam.
8. Lietotnē izvēlieties pievienot ierīci Clean Air Optima<sup>®</sup> un izpildiet tur sniegtos norādījumus.
9. Kad ierīce ir savienota pārī, WiFi indikators  nepārtraukti deg.
10. Kad konfigurēšana ir sekmīgi pabeigta, ierīces darbināšanai varat izmantot lietotni Clean Air Optima<sup>®</sup>.

#### Piezīme.

- Ja noklusējuma tīkls ir mainījies, atiestatiet WiFi savienojumu un izpildiet sadaļas "WiFi savienojuma iestatīšana" 3.–8. darbību.
- Ja pārī ar viedtālruni vai planšetdatoru vēlaties savienot vairākas ierīces, tas ir jā dara pēc kārtas.
- Pārliedzinieties, ka attālums starp viedtālruni vai planšetdatoru un ierīci ir mazāks par 5 metriem un nav šķēršļu. Arī pārliedzinieties, ka atrodaties vienā telpā ar ierīci.

#### Atiestatiet WiFi funkciju:

- Atiestatiet WiFi, uz 3 sekundēm nospiežot pogu "WiFi", WiFi indikators ātri mirgos.





## Ierīču pievienošana vairākiem tālruniem

Piezīme: Vispirms otrajai personai savā tālrunī ir jāinstalēlietotne „Clean Air Optima®” un jāizveido jauns konts.

### Ierīces kopīgošana ar ierobežotu piekļuvi:

Varat izvēlēties kopīgot 1 ierīci ar vairākām personām.

Šai personai būs piekļuve, taču tā nevarēs pārvaldīt visus iestatījumus.

Izpildiet tālāk sniegtos norādījumus, lai kopīgotu ierīci ar vairākām personām:

1. Dodieties uz attiecīgo ierīci.
2. Dodieties uz zīmuļa simbolu vai trīs punktiem augšējā labajā stūrī.
3. Izvēlieties „Kopīgot ierīci”.
4. Izvēlieties „Pievienot kopīgošanas iespēju”.
5. Izvēlieties kopīgošanas metodi, piemēram, pa e-pastu, whatsapp, īsziņu u.c. un turpiniet.
6. Ierīce automātiski tiks parādīta lietotnē „Clean Air Optima®” kopā ar otru kontu.

### Ierīces kopīgošana ar pilnu iekļuvi:

Varat pievienot vienu vai vairākas personas savas mājas pārvaldībai.

Šai personai tādējādi būs piekļuve visām jūsu ierīcēm, kas jau ir pievienotas, un tā saņems arī visas tiesības un atļaujas. Jūs tomēr vienmēr paliksiet galvenais administrators.

Izpildiet tālāk sniegtos norādījumus, lai pievienotu kādu personu savas mājas pārvaldībai:

1. Atveriet lietotni „Clean Air Optima®” un dodieties uz sadaļu „Es”.
2. Izvēlieties sadaļu „Mājas pārvaldība”.
3. Izvēlieties „Izveidot māju”.
4. Izvēlieties attiecīgo „Māju” un „Pievienot lietotāju”.
5. Izvēlieties kopīgošanas metodi, piemēram, pa e-pastu, whatsapp, īsziņu u.c. un turpiniet.
6. Attiecīgā „Māja” automātiski parādīsies tās personas lietotnē „Clean Air Optima®”, ar kuru esat kopīgojis savu „Māju”.
7. Otrās personas kontā:  
Lietotnē „Clean Air Optima®” dodieties uz sākuma ekrānu. Dodieties uz augšējo kreiso stūrī un izvēlieties „Māja”.

## Apkope

### Gaisa attīrītāja ārpuses tīrīšana

1. Izslēdziet ierīci un izvelciet kontaktdakšu no kontaktligzdas.
2. Izmantojiet mīkstu un mitru drāniņu, lai no ierīces notīrītu putekļus un netīrumus.
3. Pārliecinieties, ka **ierīcē** neiekļūst ūdens.

### Clean Air Optima<sup>®</sup> gaisa attīrītājs uzglabāšana

1. Atvienojiet ierīci no strāvas avota un saritiniet strāvas padeves vadu.
2. Izņemiet un iztīriet filtrus. Pēc tīrīšanas ievietojiet filtrus atpakaļ ierīcē.
3. Ieteicams ietīt filtru un ierīci plastmasas maisiņā un novietot vēsā, sausā vietā. Izvairieties no mitruma, jo tas var sabojāt True HEPA filtru

## Filtru nomaiņa

Viedais gaisa attīrītājs **Clean Air Optima CA-502 Desktop Smart** ir aprīkots ar filtra darbības uzraudzības mehānismu, kas norāda, ka filtri jāmaina pēc 1400 darba stundām. Lai parādītu, ka Hepa H13 filtrs ir jānomaina iedegsies indikators un ierīce izstaro dubultu nulles indikatoru



indikatoru. Atiestatiet filtra taimeris, nospiežot un apmēram 3 sekundes turot leslēgšanas/izslēgšanas pogu. Ja indikators nodziest, taimeris ir veiksmīgi atiestatīts.

**Atkarībā no lietošanas veid HEPA H13 filtra darbības ir aptuveni 4-5 mēneši.**

### Filtra tīrīšana

Vislabākais efekts panākams, tīrot filtrus reizi mēnesī. Ja telpu gaiss ir ārkārtīgi piesārņots, var būt nepieciešams veikt papildu tīrīšanu.

Tīriet **priekšfiltru** un **HEPA filtru** ar suku vai putekļsūcēju. Tādējādi no filtra var iztīrīt tādas lielākās putekļu daļiņas kā šķiedras, dzīvnieku blaugznas un spalvas.

**Brīdinājums!** Nekādā gadījumā nemitriniet un neskalojiet filtru ar ūdeni.

### Pazīmes, kas liecina par to, ka filtri ir nolietoti

Pastiprināta skaņa, samazināta gaisa plūsma, aizsērējuši filtri, pastiprinātas smakas. HEPA filtra maiņa jāveic, kad tas zaudējis savu balto krāsu un kļuvis pelēks vai melns. Ja HEPA filtrs joprojām paliek balts, filtra nomaiņa NAV nepieciešama.



### Kā pasūtīt filtrus:

sazinieties ar Clean Air Optima klientu apkalpošanas dienestu pa tel. + 31 (0) 742670145 vai apmeklējiet mūsu tīmekļa veikalu: <https://www.cleanairoptima.com/-accessoires>

## Problēmu novēršana

Zemāk ir sniegti norādījumi tādu kļūmju novēršanai, kas var rasties, lietojot viedo gaisa attīrītāju **Clean Air Optima CA-502 Desktop Smart**.

Problēma	Iespējamais cēlonis	Risinājums
Ierīce neieslēdzas.	Elektrības kabelis nav atbilstoši pievienots. Elektrības kabelis ir bojāts. Filtrs nav pareizi uzstādīts.	Pareizi ievietojiet elektrības kabeļa kontaktspraudni un kontaktligzdā. Nomainiet elektrības kabeli. Pareizi uzstādiet filtru. Skatiet nodaļu: Lietošana.
Gaisa izvadā jūtams smārds.	Filtrā ir uztverts pārāk daudz smārda vai putekļu. Ir beidzies filtru darbmužs.	Nomainiet kompozītmateriālu filtrus. Nomainiet kompozītmateriālu filtrus.
Nepietiekama gaisa attīrīšana.	Pārbaudiet, vai telpā gaiss nav pārāk sauss. Ierīce ir novietota nevēdināmā telpā vai ap to ir dažādi šķēršļi.	Palieliniet mitruma līmeni. Noņemiet šķēršļus.
No ierīces netiek izpūsts gaiss.	Gaisa ievads vai izvads ir nosprostots.	Noņemiet šķēršļus.
<b>Clean Air Optima® lietotne</b> nedarbojas.	Viedtālrunis vai planšetdators nav savienots ar WiFi tīklu. Ierīcei nav savienojuma ar tīklu.	Izslēdziet ierīci un atiestatiet ierīces WiFi, turot nospiestu pogu "WiFi" 3 sekundes, WiFi indikators mirgos. Izpildiet 3.- 10. darbību, kas aprakstītas nodaļā <b>Darbs ar Clean Air Optima® lietotni</b> .
Displejā tiks parādīts kods EO wordt.	PM2.5 sensors nedarbojas.	Ierīce ir savienota ar pārgājiena ierīci un tiek izveidots apstāšanās kontakts. Spraudnis ir pievienots apturēšanas kontaktam, un ierīce ir pievienota ierīcei.
Kods FFF vēlreiz tiek parādīts displejā.	Dzinējs ir bloķēts vai apstājies.	Ierīce ir savienota ar pārgājiena ierīci un tiek izveidots apstāšanās kontakts. Spraudnis ir pievienots apturēšanas kontaktam, un ierīce ir pievienota ierīcei.

Problēma	Iespējamais cēlonis	Risinājums
EEE kods ir formulēts uz displeja.	PM2.5 sensors dzinējā nedarbojas.	Ierīce ir savienota ar pārgājiena ierīci un tiek izveidots apstāšanās kontakts. Spraudnis ir pievienots apturēšanas kontaktam, un ierīce ir pievienota ierīcei.

## BRĪDINĀJUMS!

Ja iepriekš sniegtie risinājumi problēmu nenovērš, lūdzu, sazinieties ar Clean Air Optima tehnisko atbalstu pa jūsu reģiona tālruna numuru. Nemēģiniet izjaukt, atkārtoti salikt vai labot ierīci, jo tādējādi garantija var tikt anulēta.

## Specifikācijas

Modelis	CA-502 Desktop Smart
Piemērots telpām līdz:	20 m <sup>2</sup> /50 m <sup>3</sup> /215 ft <sup>2</sup>
Nominālais spriegums adaptera	Ievade: 100V - 240V~, 50/ 60Hz, 0.4A vai 1.0A Izvade: 12V $\overline{\text{---}}$ , 1.5A
Nominālā jauda	10 W, 12V $\overline{\text{---}}$
Ventilatora jauda (CADR)	110 m <sup>3</sup> /h
Filtra veiktspēja	99,97%
Trokšņa līmenis	10 dB (A) Kluss miega režīms ; 15 dB (A) Low (zems līmenis) 1; 25 dB (A) Middle (vidējs līmenis) 2; 50 dB (A) Augsts 3
Izmēri	190 × 190 × 235 mm
Svars	1,5 kg
Krāsa	Gaiši pelēks/balts
Atbilst ES normatīviem	CE/WEEE/RoHS

Vaicājiet savam mazumtirgotājam vai pašvaldībai aktuālo informāciju attiecībā uz ierīces iepakojuma izmešanu.



## Apkope

Viedā gaisa attīrītāja Clean Air Optima CA-502 Desktop Smart garantijas talons.

Iegādes datums: .....

Klienta vārds/nosaukums: .....

Adrese: .....

Tālrunis: .....

E-pasts: .....

Pārdevēja vārds/nosaukums: .....

Adrese: .....

1. Lūdzam pilnībā aizpildīt šo garantijas talonu. Nosūtiet to savam izplatītājam ar rēķinu un ierīci, apmaksājot atpakaļsūtīšanu un izmantojot oriģinālo iepakojumu. Pārliecinieties, vai atpakaļsūtīšanas izdevumi ir apmaksāti pienācīgā apmērā.
2. Lūdzu, iekļaujiet īsu bojājuma, kļūmes vai nepareizas darbības aprakstu, kā arī aprakstiet apstākļus, kādos šīs problēmas radās.

Pirms izsūtīšanas no rūpnīcas ierīcei **Clean Air Optima CA-502 Desktop Smart** tika veiktas stingras pārbaudes. Ja divu gadu laikā kopš izstrādājuma iegādes, izstrādājums nedarbojas atbilstoši specifikācijām, jo tam ir rūpnīcas defekti, pircējs ir tiesīgs bez maksas saņemt remonta pakalpojumus vai detaļu nomaiņu, uzrādot šo garantijas talonu (ja iekārtas kļūdainā nostrāde vai tās un/vai tās detaļu bojājums radies normālas darbības apstākļos). Uz ko attiecas garantija: visas detaļām, kurām ir materiāla vai ražošanas defekts. Cik ilgi: divus gadus no iegādes datuma. Kā rīkosimies: veiksīm remontu vai nomainīsim visas bojātas detaļas. Izņēmumi: Regulāra filtru maiņa.

### Citi nosacījumi

Šīs garantijas nosacījumi aizstāj jebkuru citu rakstisku, skaidri izteiktu vai domātu, rakstisku vai mutisku garantiju, tostarp jebkādu garantiju attiecībā uz atbilstību kvalitātei vai konkrētam mērķim. Ražotāja maksimālais atbildības apmērs nepārsniedz reālo par produktu samaksāto maksu. Ražotājs nekādā gadījumā nav atbildīgs par speciālu, netīšu, izrietošu vai netiešu kaitējumu. Šī garantija neattiecas uz defektu, ja mēs esam noteikuši, ka tas radies nepareizas vai neatbilstošas lietošanas vai apkopes, nepareizas montāžas, negadījuma, dabas katastrofu, neatbilstoša iepakojuma vai nesankcionētu manipulāciju, izmaiņu vai modifikāciju rezultātā. Šī garantija nav derīga, ja etiķete, uz kuras ir sērijas numurs, ir noņemta vai sabojāta.

# Paldies, ka izlasījāt šo dokumentu!



Pievienojiet savas atsauksmes par Clean Air Optima CA-502 Desktop Smart vietnē [www.cleanairoptima.com](http://www.cleanairoptima.com)



Lai skatītu bieži uzdotos jautājumus par CA-502 Desktop Smart, apmeklējiet vietni [www.cleanairoptima.com](http://www.cleanairoptima.com) un meklējiet "CA-502 Desktop Smart".



Lietotāja rokasgrāmatu PDF formātā varat lejupielādēt vietnē [www.cleanairoptima.com/info/manuals](http://www.cleanairoptima.com/info/manuals)



Skatiet visu Clean Air Optima izstrādājumu animācijas videoklipus vietnē [www.youtube.com](http://www.youtube.com)

**Clean Air Optima International B.V.** | David Ricardostraat 9-7 / 9-9 | 7559 SH Hengelo (ov)  
Nīderlande | Tālrunis: +31 (0) 74 - 2670145

**Clean Air Optima Germany GmbH** | Enschedestraße 14 | 48529 Nordhorn | Vācija  
Tālrunis: +49 (0) 5921 879-121

**E-pasta adrese:** [info@cleanairoptima.com](mailto:info@cleanairoptima.com)

**Tīmekļa vietne:** [www.cleanairoptima.com](http://www.cleanairoptima.com)

# A guarantee for healthy indoor air quality!



Designed in Germany

© 2024 Clean Air Optima®, All rights reserved, Made in P.R.C.

More info:  
[www.cleanairoptima.com](http://www.cleanairoptima.com)



Trademarks owned by: Clean Air Optima Germany GmbH,  
Enschedestraße 14, 48529 Nordhorn, Germany