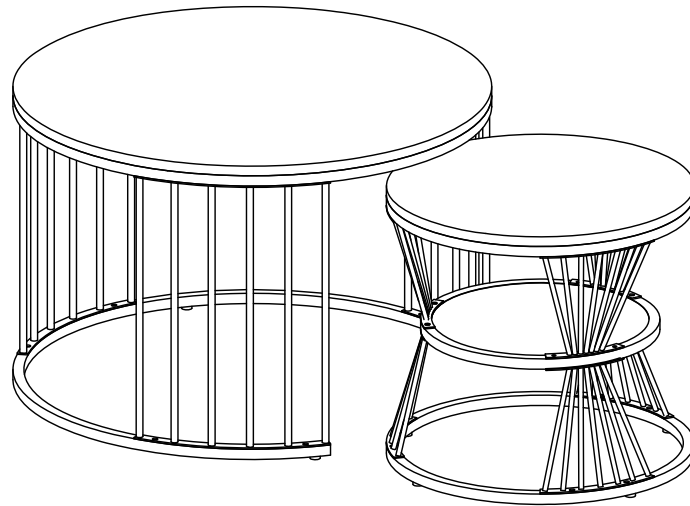
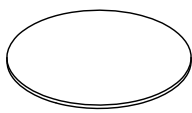
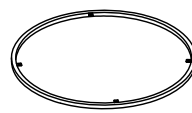


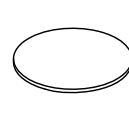
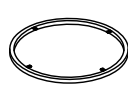

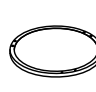



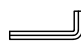
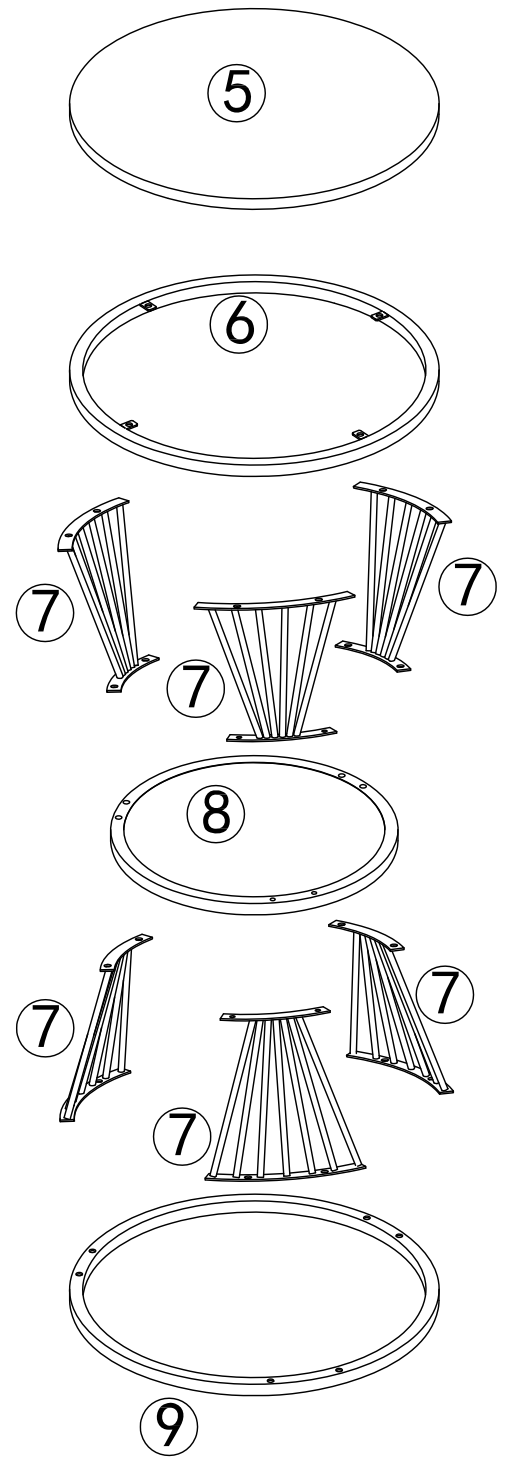
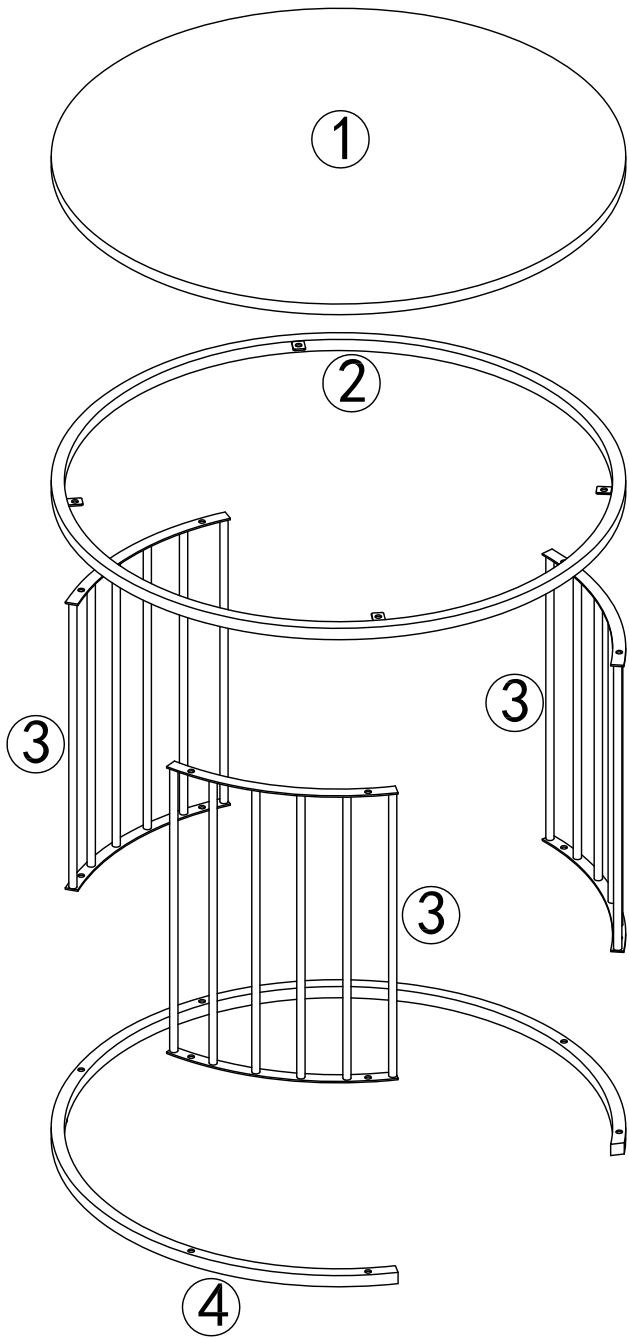


# WF300417

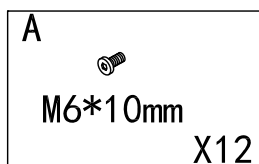
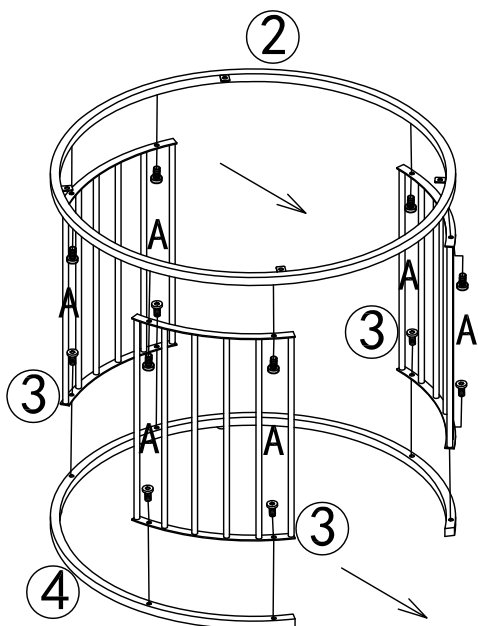


<p>①</p>  <p>X1</p>	<p>②</p>  <p>X1</p>	<p>③</p>  <p>X3</p>	<p>④</p>  <p>X1</p>	<p>⑤</p>  <p>X1</p>
<p>⑥</p>  <p>X1</p>	<p>⑦</p>  <p>X6</p>	<p>⑧</p>  <p>X1</p>	<p>⑨</p>  <p>X1</p>	<p>A</p>  <p>M6*10mm</p> <p>X44</p>
<p>B</p>  <p>X8</p>	<p>C</p>  <p>M4</p> <p>X1</p>			

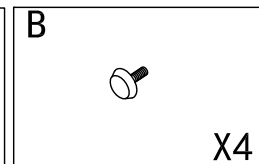
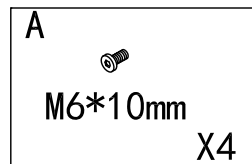
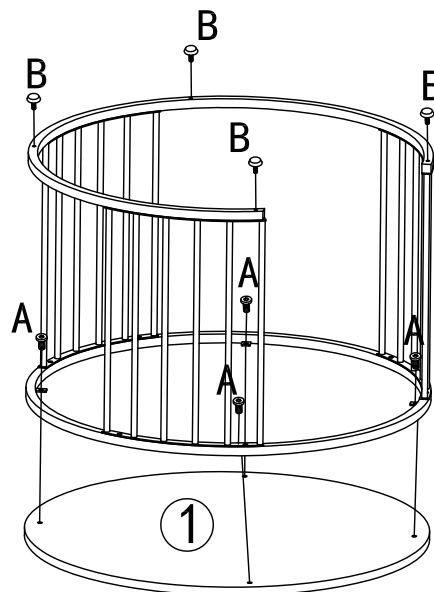


# STEP 1

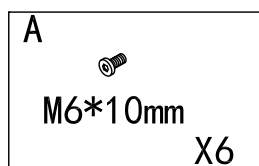
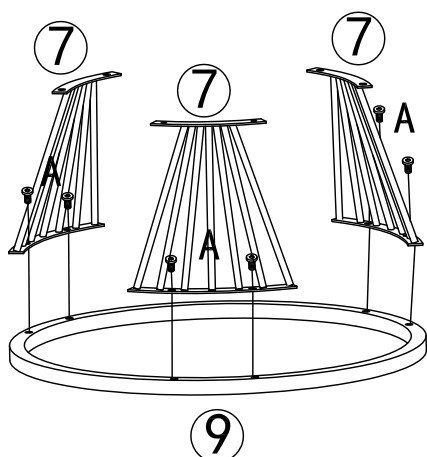
Please rotate to the exact position for assembly



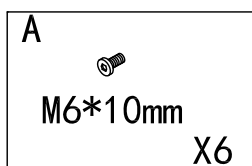
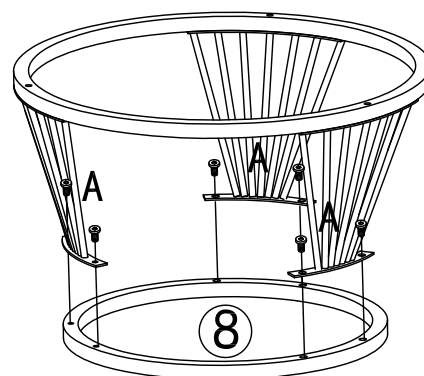
# STEP 2



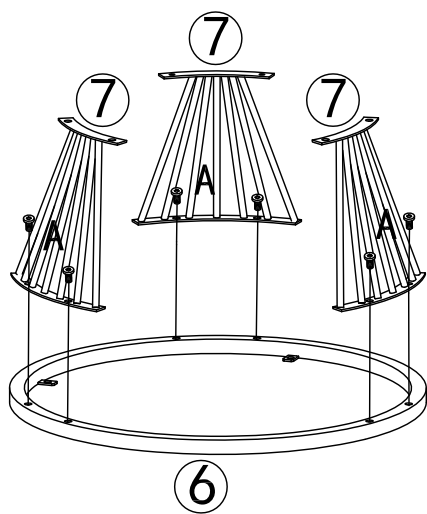
# STEP 3




# STEP 4

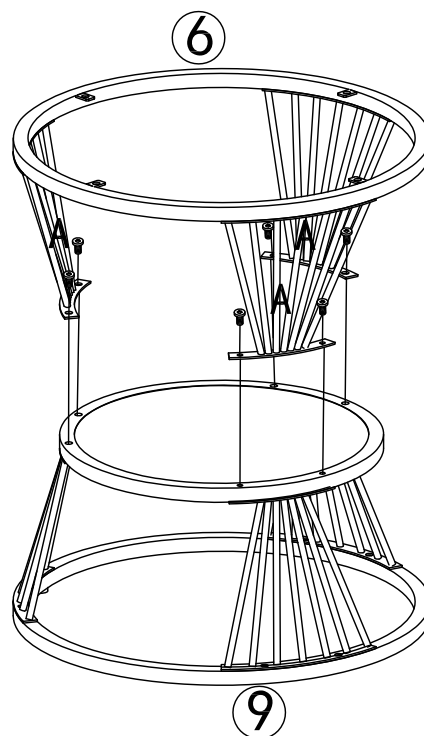


# STEP 5



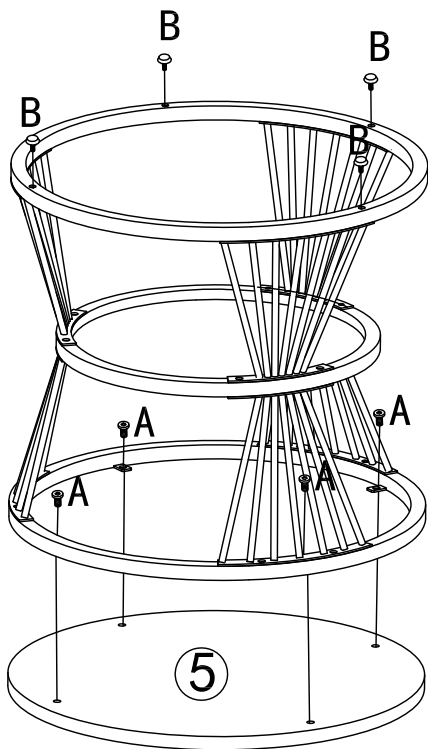
A   
M6\*10mm  
X6


# STEP 6




A   
M6\*10mm  
X6

# STEP 7



A   
M6\*10mm  
X4

B   
X4

# STEP 8

