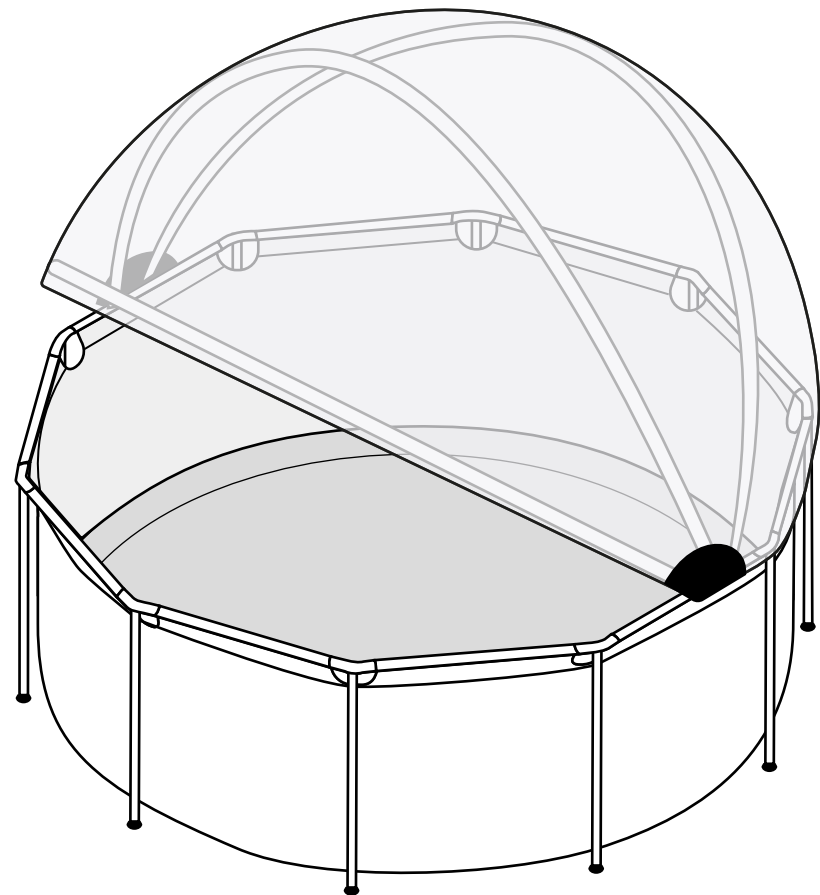
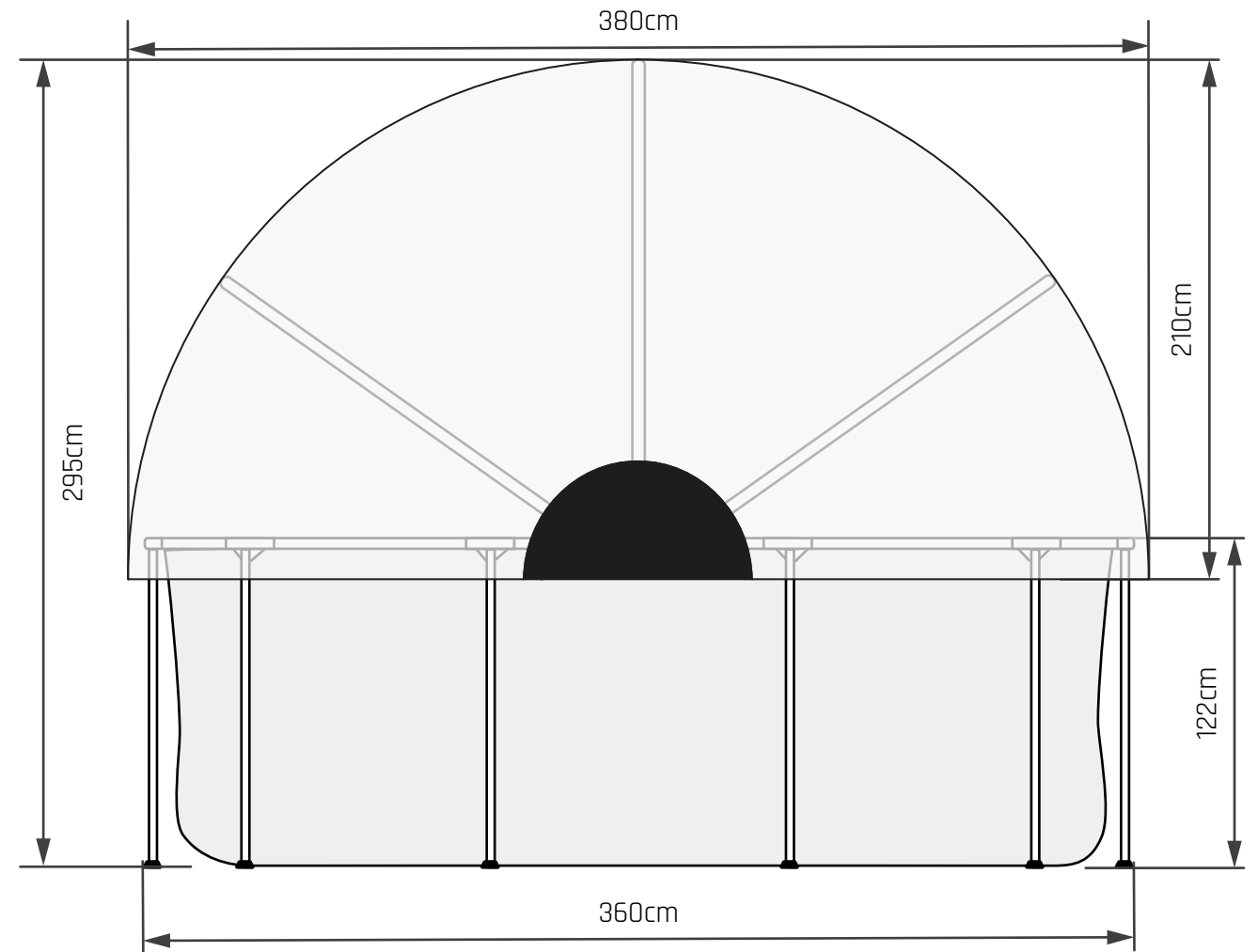
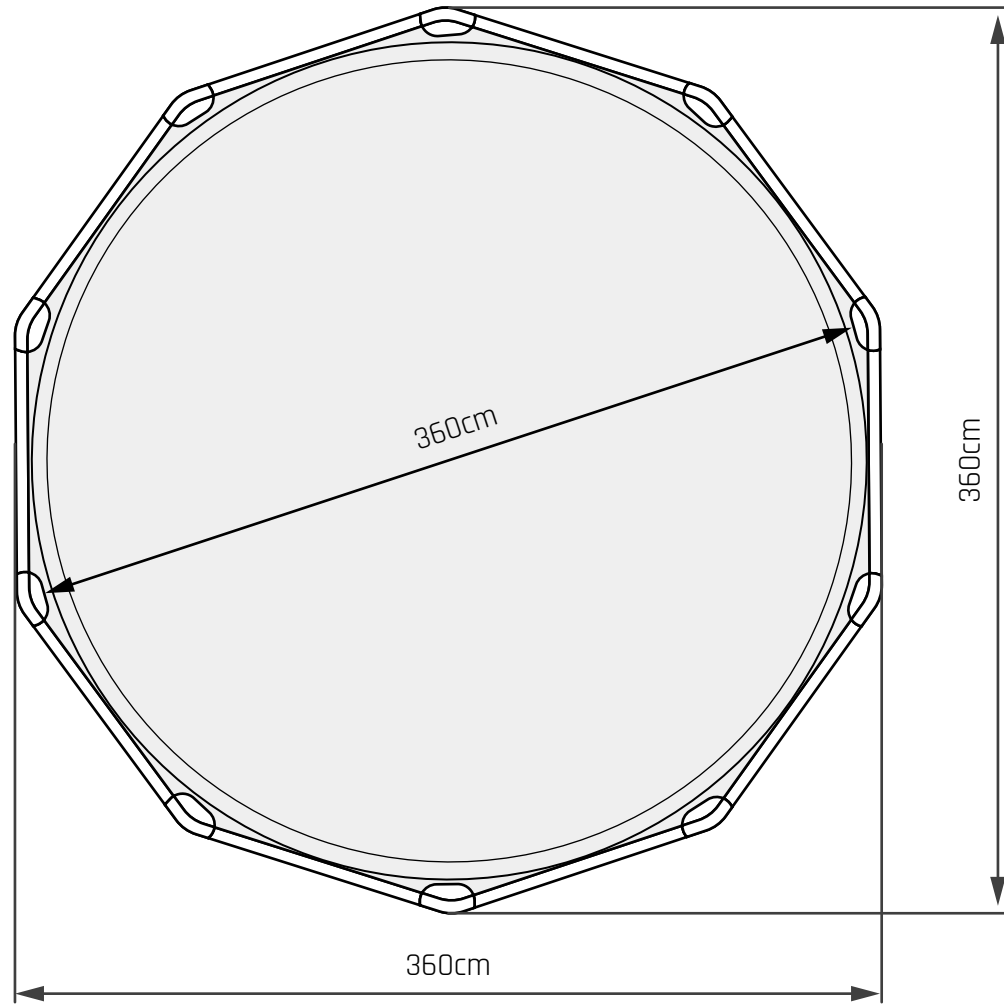
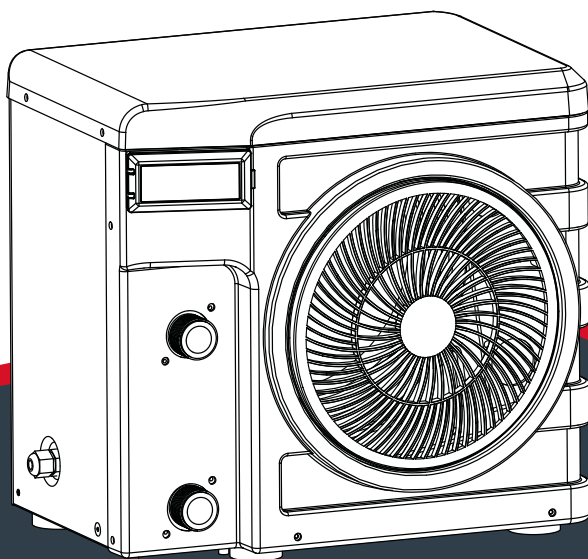





# EXIT swimming pool with dome



# **POOLEX**

## NANO ACTION



-  Installation and user manual
-  Installations und Gebrauchsanleitung
-  Installaties en gebruikershandleiding

# Warning



***This heat pump contains a flammable refrigerant R32.***

***Any intervention on the refrigerant circuit is prohibited without a valid authorization.***

***Before working on the refrigerant circuit, the following precautions are necessary for safe work.***

## ***1. Work procedure***

*The work must be carried out according to a controlled procedure, in order to minimize the risk of presence of flammable gases or vapors during the execution of the*

*works.*

## ***2. General work area***

*All persons in the area must be informed of the nature of the work in progress. Avoid working in a confined area. The area around the work area should be divided, secured and special attention should be paid to nearby sources of flame or heat.*

## ***3. Verification of the presence of refrigerant***

*The area should be checked with a suitable refrigerant detector before and during work to ensure that there is no potentially flammable gas. Make sure that the leak detection equipment used is suitable for flammable refrigerants, ie it does not produce sparks, is properly sealed or has internal safety.*

## ***4. Presence of fire extinguisher***

*If hot work is to be performed on the refrigeration equipment or any associated part, appropriate fire extinguishing equipment must be available. Install a dry powder or CO2 fire extinguisher near the work area.*

## ***5. No source of flame, heat or spark***

*It is totally forbidden to use a source of heat, flame or spark in the direct vicinity of one or more parts or pipes containing or having contained a flammable refrigerant. All sources of ignition, including smoking, must be sufficiently far from the place of installation, repair, removal and disposal, during which time a flammable refrigerant may be released into the surrounding area. Before starting work, the environment of the equipment should be checked to ensure that there is no risk of flammability. «No smoking» signs must be posted.*

## ***6. Ventilated area***

*Make sure the area is in the open air or is properly ventilated before working on the system or performing hot work. Some ventilation must be maintained during the duration of the work.*

## ***7. Controls of refrigeration equipment***

*When electrical components are replaced, they must be suitable for the intended purpose and the appropriate specifications. Only the parts of the manufacturer can be used. If in doubt, consult the technical service of the manufacturer.*

*The following controls should be applied to installations using flammable refrigerants:*

- The size of the load is in accordance with the size of the room in which the rooms containing the refrigerant are installed;*
- Ventilation and air vents work properly and are not obstructed;*
- If an indirect refrigeration circuit is used, the secondary circuit must also be checked.*
- The marking on the equipment remains visible and legible. Illegible marks and signs must be corrected;*
- Refrigeration pipes or components are installed in a position where they are unlikely to be exposed to a substance that could corrode components containing refrigerant*

## ***8. Verification of electrical appliances***

*Repair and maintenance of electrical components must include initial safety checks and component inspection procedures. If there is a defect that could compromise safety, no power supply should be connected to the circuit until the problem is resolved.*

*Initial security checks must include:*

- That the capacitors are discharged: this must be done in a safe way to avoid the possibility of sparks;*
- No electrical components or wiring are exposed during loading, recovery or purging of the refrigerant gas system;*
- There is continuity of grounding.*

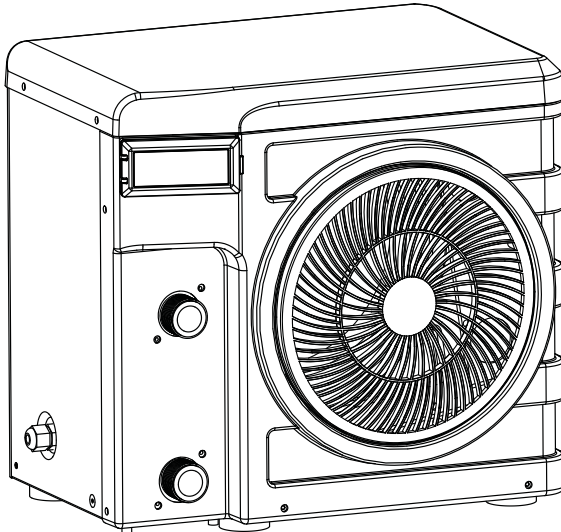
# Thank you

*Dear Customer,*

*Thank you for your purchase and for your confidence in our products.*

*These are the result of many years of research in the field of design and production of heat pumps for swimming pools. Our aim is to provide you with an exceptional high performance quality product.*

*We have produced this manual with the utmost care so that you get maximum benefit from your Poolex heat pump.*







# PLEASE READ CAREFULLY

**These installation instructions are an integral part of the product.  
They must be given to the installer and retained by the user.**

**If the manual is lost, please consult the website:**

**[www.poolex.fr](http://www.poolex.fr)**

The instructions and recommendations contained in this manual should be read carefully and understood since they provide valuable information concerning the heat pump's safe handling and operation. **Keep this manual in an accessible place for easy future reference.**

**Installation must be carried out by a qualified professional person** in accordance with current regulations and the manufacturer's instructions. An installation error may cause physical injury to persons or animals as well as mechanical damage for which the manufacturer can under no circumstances be held responsible.

**After unpacking the heat pump, please check the contents in order to report any damage.**

Prior to connecting the heat pump, ensure that the information provided in this manual is compatible with the actual installation conditions and does not exceed the maximum limits authorized for this particular product.

**In the event of a defect and/or malfunction of the heat pump, the electricity supply must be disconnected** and no attempt made to repair the fault.

Repairs must be undertaken only by an authorized technical service organization using original replacement parts. Failure to comply with the above-mentioned clauses may have an adverse effect on the heat pump's safe operation.

To guarantee the heat pump's efficiency and satisfactory operation, it is important to ensure its regular maintenance in accordance with the instructions provided.

If the heat pump is sold or transferred, always make sure that all technical documentation is transmitted with the equipment to the new owner.

This heat pump is designed solely for heating a swimming pool. Any other use must be considered as being inappropriate, incorrect or even hazardous.

Any contractual or non-contractual liability of the manufacturer/distributor shall be deemed null and void for damage caused by installation or operational errors, or due to non-compliance with the instructions provided in this manual or with current installation norms applicable to the equipment covered by this document.

# Contents

<b>1. General</b> .....	<b>4</b>
1.1 General Terms of Delivery .....	4
1.2 Safety instructions .....	4
1.3 Water treatment .....	5
<b>2. Description</b> .....	<b>6</b>
2.1 Package contents .....	6
2.2 General characteristics .....	6
2.3 Technical specifications .....	7
2.4 Unit dimensions .....	8
2.5 Exploded view .....	9
<b>3. Installation</b> .....	<b>10</b>
3.1 Location .....	10
3.2 Installation layout .....	11
3.3 Hydraulic connection .....	11
3.4 Electrical connection .....	11
<b>4. Use</b> .....	<b>12</b>
4.1 Control panel .....	12
4.2 Heating mode .....	13
4.3 Status values and advanced settings .....	14
<b>5. Operation</b> .....	<b>16</b>
5.1 Operation .....	16
<b>6. Maintenance and servicing</b> .....	<b>17</b>
6.1 Maintenance, servicing and winter storage .....	17
<b>7. Repairs</b> .....	<b>18</b>
7.1 Breakdowns and faults .....	18
<b>8. Recycling</b> .....	<b>19</b>
8.1 Recycling the heat pump .....	19
<b>9. Warranty</b> .....	<b>20</b>
9.1 General warranty conditions .....	20
<b>A. Appendices</b> .....	<b>A</b>
A.1 Wiring diagrams .....	A

# 1. General

## 1.1 General Terms of Delivery

All equipment, even if shipped 'free of carriage and packing', is dispatched at the consignee's own risk.

The person responsible for receiving the equipment must carry out a visual inspection to identify any damage to the heat pump during transport (refrigerant system, body panels, electrical control box, frame). He/she must note down on the carrier's delivery note any remarks concerning damage caused during transport and confirm them to the carrier by registered letter within 48 hours.



The equipment must always be stored and transported vertically on a pallet and in its original packaging. If it is stored or transported horizontally, wait at least 24 hours before switching it on.

## 1.2 Safety instructions



**WARNING : Please read carefully the safety instructions before using the equipment. The following instructions are essential for safety so please strictly comply with them.**

### *During installation and servicing*

Only a qualified person may undertake installation, start-up, servicing and repairs, in compliance with current standards.

Before operating or undertaking any work on the equipment (installation, commissioning, usage, servicing), the person responsible must be aware of all the instructions in the heat pump's installation manual as well as the technical specifications.

Under no circumstances install the equipment close to a source of heat, combustible materials or a building's air intake.

If installation is not in a location with restricted access, a heat pump protective grille must be fitted.

To avoid severe burns, do not walk on pipework during installation, repairs or maintenance.

To avoid severe burns, prior to any work on the refrigerant system, turn off the heat pump and wait several minutes before placing temperature and pressure sensors.

Check the refrigerant level when servicing the heat pump.

Check that the high and low pressure switches are correctly connected to the refrigerant system and that they turn off the electrical circuit if tripped during the equipment's annual leakage inspection.

Check that there is no trace of corrosion or oil stains around the refrigerant components.

# 1. General

## *During use*

To avoid serious injuries, never touch the fan when it is operating.

Keep the heat pump out of the reach of children to avoid serious injuries caused by the heat exchanger's blades.

Never start the equipment if there is no water in the pool or if the circulating pump is stopped.

Check the water flow rate every month and clean the filter if necessary.

## *During cleaning*

Switch off the equipment's electricity supply.

Close the water inlet and outlet valves.

Do not insert anything into the air or water intakes or outlets.

Do not rinse the equipment with water.

## *During repairs*

Carry out work on the refrigerant system in accordance with current safety regulations.

Brazing should be performed by a qualified welder.

When replacing a defective refrigerant component, use only parts certified by our technical department.

When replacing pipework, only copper pipes conforming to Standard NF EN12735-1 may be used for repairs.

When pressure-testing to detect leaks:

To avoid the risks of fire or explosion, never use oxygen or dry air.

Use dehydrated nitrogen or a mixture of nitrogen and refrigerant.

The low and high side test pressure must not exceed 42 bar.

## 1.3 Water treatment

Poolex heat pumps for swimming pools can be used with all types of water treatment systems. Nevertheless, it is essential that the treatment system (chlorine, pH, bromine and/or salt chlorinator metering pumps) is installed after the heat pump in the hydraulic circuit.

**To avoid any deterioration to the heat pump, the water's pH must be maintained between 6.9 and 8.0.**

# 2. Description

## 2.1 Package contents

- ✓ Heat pump Poolex Nano Action R32
- ✓ 2 hydraulic inlet/outlet connectors 32/38mm diameter
- ✓ This installation and user manual
- ✓ **4 anti-vibration pads**

## 2.2 General characteristics

A Poolex heat pump has the following features:

- CE certification and complies with the RoHS European directive.
- High performance with up to 80% energy savings compared to a conventional heating system.
- Clean, efficient and environmentally friendly R32 refrigerant.
- Reliable high output leading brand compressor.
- Wide hydrophilic aluminum evaporator for use at low temperatures.
- User-friendly intuitive control panel.
- Heavy duty shell, anti-UV treated and easy to maintain.
- Designed to be silent.

# 2. Description

## 2.3 Technical specifications

		3 kW	4 kW	5 kW
Air <sup>(1)</sup> 26°C Water <sup>(2)</sup> 26°C	Heating power (W)	2800	4 200	5 010
	Consumption (W)	580	810	990
	<b>COP (Coeff. of performance)</b>	<b>4,83</b>	<b>5,19</b>	<b>5,03</b>
Air <sup>(1)</sup> 15°C Water <sup>(2)</sup> 26°C	Heating power (W)	2210	3 100	4 030
	Consumption (W)	540	760	1 000
	<b>COP (Coeff. of performance)</b>	<b>4,09</b>	<b>4,08</b>	<b>4,03</b>
Electricity supply		220-240V ~ 50Hz		
Maximum power (W)		930	1 200	1 500
Maximum current (A)		4,15	5,32	6,65
Heating temperature range		15°C ~ 40°C		
Operating range		8°C ~ 43°C		
Unit dimensions L × W × H (mm)		385 x 400 x 280		
Unit weight (kg)		18	24	26
Packaging dimensions L × W × H (mm)		415 x 460 x 370		
Packaging weight (kg)		20	28	30
Sound pressure level at 10 m (dBA) <sup>(3)</sup>		<32	<35	<36
Hydraulic connection (mm)		PVC 32 / 38mm		
Heat exchanger		PVC tank and titanium heating coil		
Min. water flow rate (m <sup>3</sup> /h)		1,3	2	2,5
Compressor type		Rotary		
Refrigerant		R32		
Refrigerant content (kg)		0,15	0,3	0,35
GWP		675		
Equivalent CO2		0,10	0,203	0,337
Waterproof IP		IPX4		
Load loss (mCE)		0,8		
Max. pool volume (m <sup>3</sup> ) <sup>(4)</sup>		≤21	≤28	≤35
Control panel		Backlit control screen		
Mode		Heating		

The technical specifications of our heat pumps are provided for information purposes only. We reserve the right to make changes without prior notice.

<sup>1</sup> Ambient air temperature

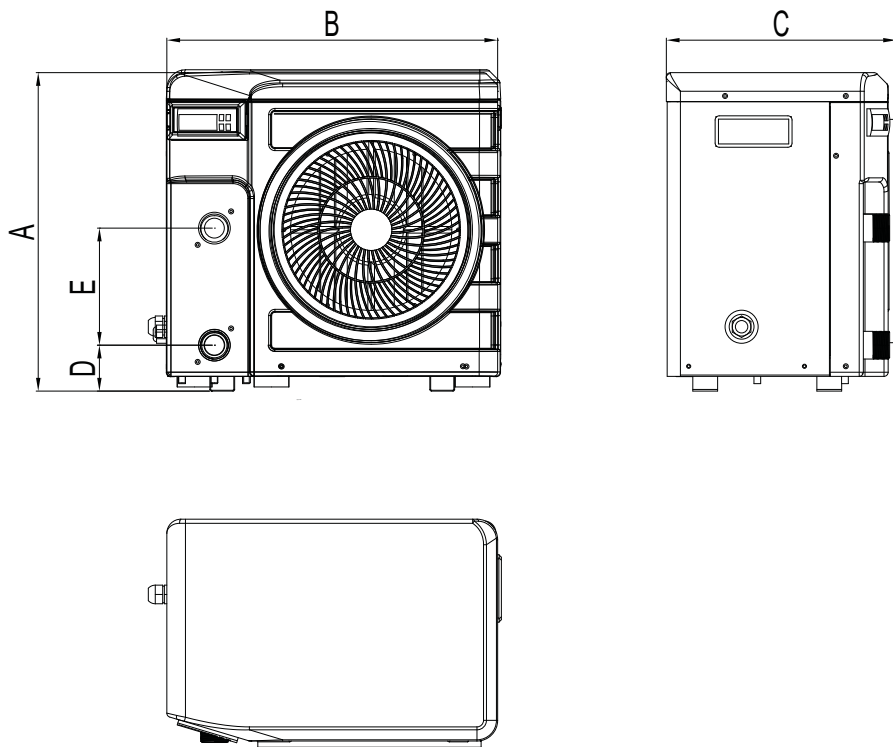
<sup>2</sup> Initial water temperature

<sup>3</sup> Noise at 10 m in accordance with Directives EN ISO 3741 and EN ISO 354

<sup>4</sup> Calculated for an in-ground private swimming pool covered with a bubble cover.

## 2. Description

### 2.4 Unit dimensions



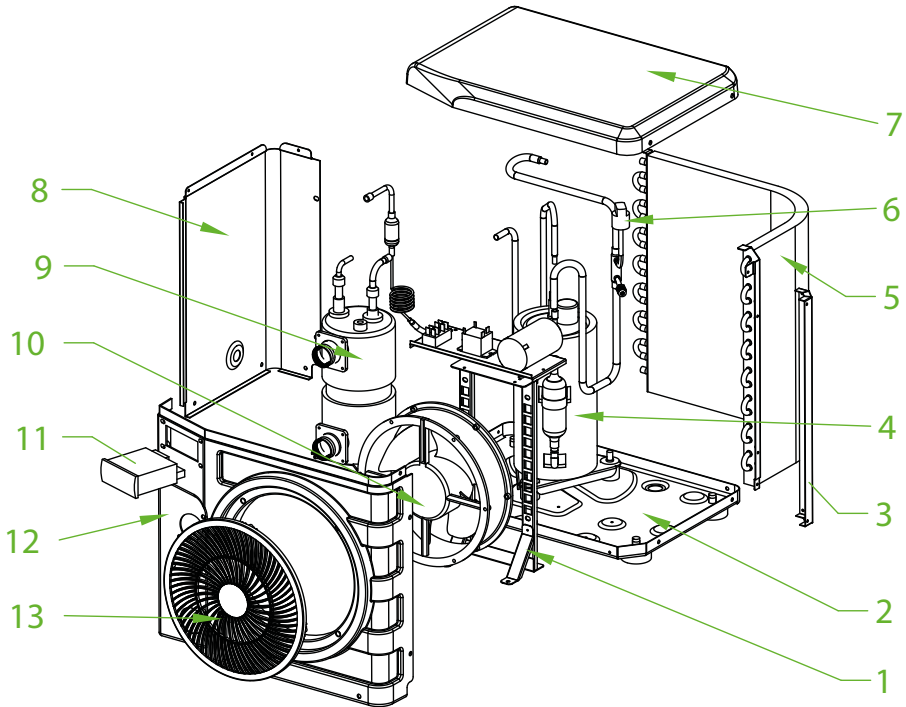
Dimensions in mm

Nano Action 3 kW / 4 kW / 5 kW	
A	385
B	400
C	280
D	55
E	140

## 2. Description

### 2.5 Exploded view

EN



- |                          |                           |
|--------------------------|---------------------------|
| 1. Fan support           | 9. Heat exchanger         |
| 2. Base frame            | 10. Fan motor             |
| 3. Support               | 11. Control panel         |
| 4. Compressor            | 12. Front panel           |
| 5. Evaporator            | 13. Fan protective grille |
| 6. pressure switch hp/bp |                           |
| 7. Top panel             |                           |
| 8. Left side panel       |                           |

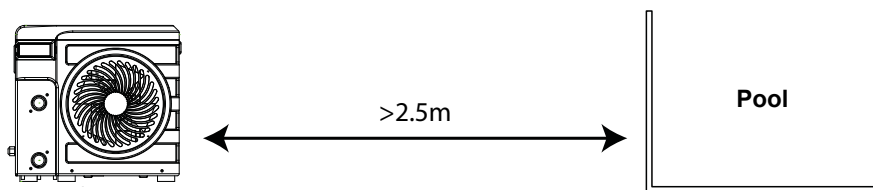


# 3. Installation

**The heat pump is very easy to install, only water and power need to be connected during installation.**

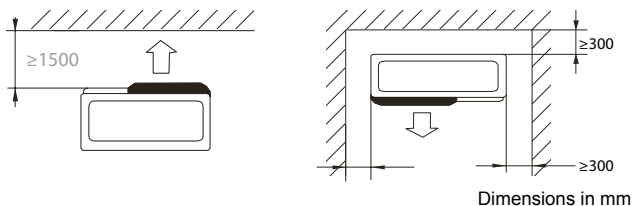
## 3.1 Location

The heat pump should be located at least 2.5 meter away from the swimming pool.



**Please comply with the following rules concerning the choice of heat pump location.**

1. The unit's future location must be easily accessible for convenient operation and maintenance.
2. It must be installed on the ground, laid ideally on a level concrete floor. Ensure that the floor is sufficiently stable and can support the weight of the unit.
3. Check that the unit is properly ventilated, that the air outlet is not facing the windows of neighboring buildings and that the exhaust air cannot return. In addition, provide sufficient space around the unit for servicing and maintenance operations.
4. The unit must not be installed in an area exposed to oil, flammable gases, corrosive products, sulfurous compounds or close to high frequency equipment.
5. To prevent mud splashes, do not install the unit near a road or track.
6. To avoid causing nuisance to neighbors, make sure the unit is installed so that it is positioned towards the area that is least sensitive to noise.
7. Keep the unit as much as possible out of the reach of children.



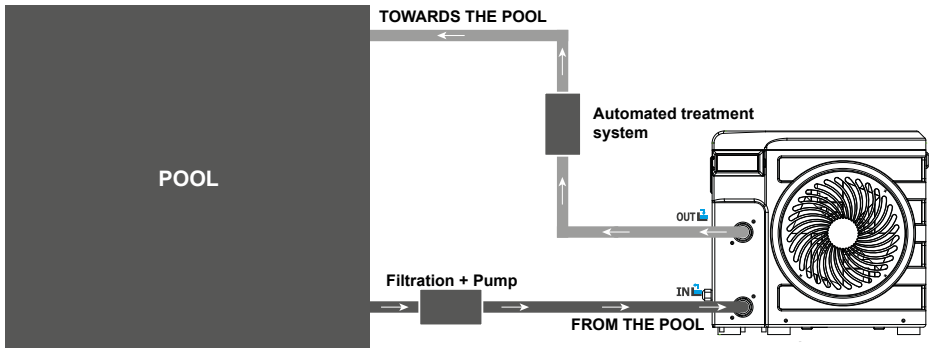
Place nothing less than 1,50 m in front of the heat pump.

Leave 30 cm of empty space around the sides and rear of the heat pump.

**Do not leave any obstacle above or in front of the unit!**

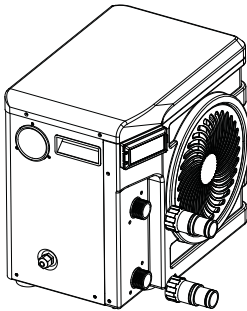
# 3. Installation

## 3.2 Installation layout

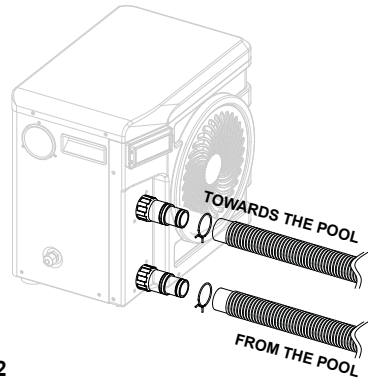


The filter located upstream of the heat pump must be regularly cleared so that the water in the system is clean, thus avoiding the operational problems associated with dirt or clogging in the filter.

## 3.3 Hydraulic connection



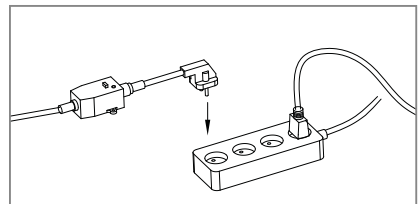
**Step 1**  
Screw the connectors to the heat pump



**Step 2**  
Connect the water outlet pipe and the water intake pipe

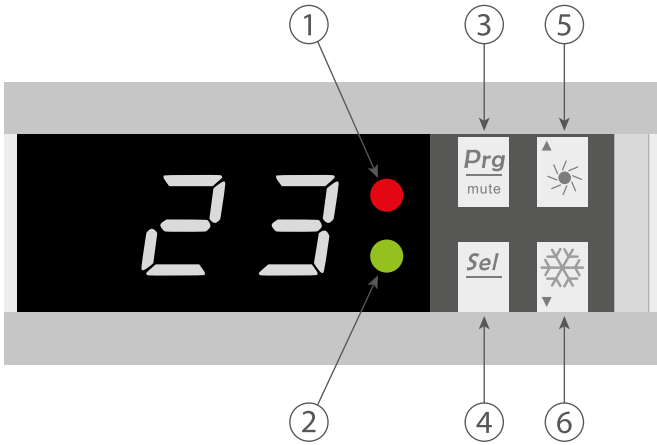
## 3.4 Electrical connection

The heat pump electrical plug integrates a 10mA differential circuit breaker. Before connecting your heat pump, please ensure that the plug is connected to the ground. The filter pump should function at the same time as the heat pump. Therefore, you need to connect them to the same electrical circuit.



# 4. Use

## 4.1 Control panel



- 1. Power LED
- 2. Defrost LED


- 3. ON/OFF button
- 4. Select button

- 5. Up (+) button
- 6. Down (-) button

# 4. Use

## 4.2 Heating Mode

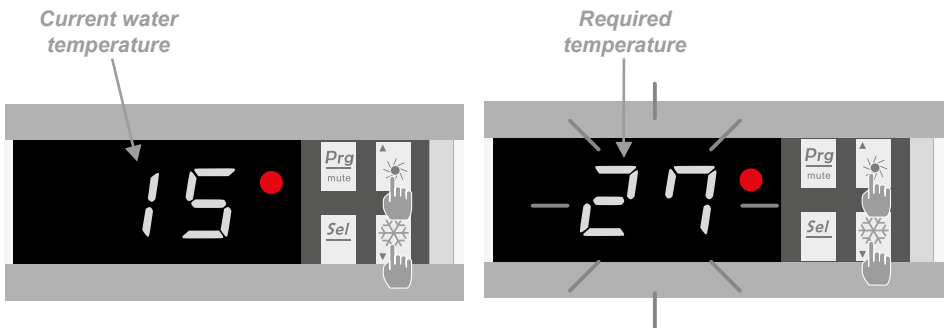
**WARNING:** Before starting, ensure that the filtration pump is operating correctly.

**Step 1 :** Press  to switch on your pump.

**Step 2 :** Using buttons  and  select the required temperature.

EXAMPLE:

If the current temperature is 15°C, default setting temperature is 27° required temperature is 30°C.



### Useful information about how the heating mode operates

When the incoming water temperature is less than or equal to the required temperature (setpoint temperature) -X°C, the heat pump will switch to heating mode. The compressor will stop when the temperature of the incoming water is greater than or equal to the required temperature (setpoint temperature).

*Indicators for adjustment range X and Y*

X : adjustable parameter from 1° to 15°C, default setting is 3°C. (Parameter N°6)

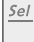
# 4. Use

## 4.3 Status values and advanced settings

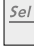


**WARNING:** This operation is used to assist servicing and future repairs.  
The default settings should only be modified by an experienced professional person.

The system's settings can be checked and adjusted via the remote control by following these steps

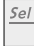
**Step 1 :** Keep pressing  until you enter the settings verification mode.


**Step 2 :** Press  and  for see the parameters.

**Step 3 :** Press  to select the setting to be modified.

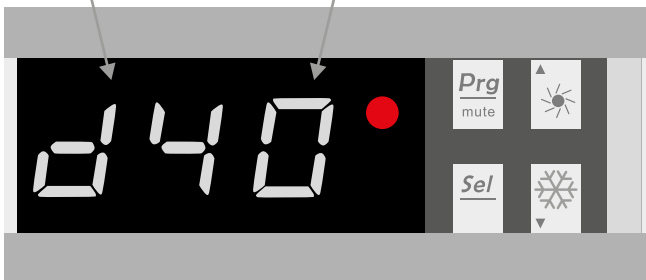
*Note, some settings cannot be modified. Consult the settings table for further information.*

**Step 4 :** Press  and  to adjust the setting value.

**Step 5 :** Press  to set the new value.

**Step 6 :** Press  to return to the main screen.

Parameter d                      Value 40



# 4. Use

Parameters table

N°	Description	Adjustment range	Factory setting	Remarks
A	Water intake temperature	-19~99°C		Actual data
b	Water outlet temperature	-19~99°C		Actual data
c	Ambient air temperature	-19~99°C		Actual data
d	Setting temperature	15~40°C	27°C	Adjustable
E	Defrost auto-activation time	10~80 min	40 min	Adjustable
F	Maximum defrost duration	10~40 min	30 min	Adjustable
H	Adjustment of temperature difference for restart	1~10°C	3°C	Adjustable
J	Automatic restart	0 = OFF 1 = ON	1	Adjustable
O	Antifreeze protection - low air temperature	0~15°C	8°C	Ajustable
P	Evaporator temperature to enter defrosting mode	-19°C~0°C	-3°C	Ajustable
U	Evaporator temperature to exit defrosting mode	1~30°C	20°C	Ajustable
t	Reserved - do not modify			Reserved

# 5. Operation

## 5.1 Operation

### *Conditions of use*


**For the heat pump to operate normally, the ambient air temperature must be between 8°C and 43°C.**

### *Recommendations prior to start-up*

Before activating the heat pump, please:

- ✓ Check that the unit is stable.
- ✓ Control the proper functioning of your electrical installation.
- ✓ Check that the hydraulic connections are tight and that there is no leakage of water.
- ✓ Remove any unnecessary object or tool from around the unit.

### *Operation*

1. Connect the unit power plug.
2. Activate the circulating pump.
3. Activate the unit's power supply protection (differential switch and circuit-breaker).
4. Activate the heat pump by pressing once on .
5. Select the required temperature.
6. The heat pump's compressor will start up after a few moments.

All you have to do now is wait until the required temperature is reached.



**WARNING:** Under normal conditions, a suitable heat pump can heat the water in a swimming pool by 1°C to 2°C per day. It is therefore quite normal to not feel any temperature difference in the system when the heat pump is working.

**A heated pool must be covered to avoid any loss of heat.**

# 6. Maintenance and servicing

## 6.1 Maintenance, servicing and winter storage



**WARNING: Before undertaking maintenance work on the unit, ensure that you have disconnected the electrical power supply.**

### Cleaning

The heat pump's casing must be cleaned with a damp cloth. The use of detergents or other household products could damage the surface of the casing and affect its properties.

The evaporator at the rear of the heat pump must be carefully cleaned with a vacuum cleaner and soft brush attachment.

### Annual maintenance

The following operations must be undertaken by a qualified person at least once a year.

- ✓ Carry out safety checks.
- ✓ Check the integrity of the electrical wiring.
- ✓ Check the earthing connections.
- ✓ Monitor the state of the pressure gauge and the presence of refrigerant.

### Winter storage

Your heat pump is designed to operate in rainy weather conditions and withstand frost using a specially created anti-frost technology. However it is not recommended to leave it outside for long periods of time (eg over winter). After draining down the pool for the winter, store the heat pump in a dry place.



# 7. Repairs



**WARNING:** Under normal conditions, a suitable heat pump can heat the water in a swimming pool by 1°C to 2°C per day. It is therefore quite normal to not feel any temperature difference in the system when the heat pump is working.  
A heated pool must be covered to avoid any loss of heat.

## 7.1 Breakdowns and faults

In the event of a problem, the heat pump's screen displays an error code instead of temperature indications. Please consult the table below to find the possible causes of a fault and the actions to be taken.

Code	Fault	Possible causes	Action
P1	Water intake temperature sensor malfunction	Sensor badly connected	Reconnect sensor
		Sensor defective	Replace sensor
		Defective control panel	Replace control panel
P3	Evaporator temperature sensor malfunction	Same causes as P1	Same actions as P1
P5	External temperature sensor malfunction		
P7	Antifreeze protection	Protection activated when the ambient temperature is too low.	No intervention is necessary
E5	Low pressure protection	Insufficient refrigerant	Readjust the quantity of refrigerant
		Pressure switch disconnected or defective	Reconnect or replace pressure switch
		Defective control panel	Replace control panel
	The unit stop working without error code	Insufficient water in heat exchanger	Check your water circuit operation
		Defective control panel	Replace control panel

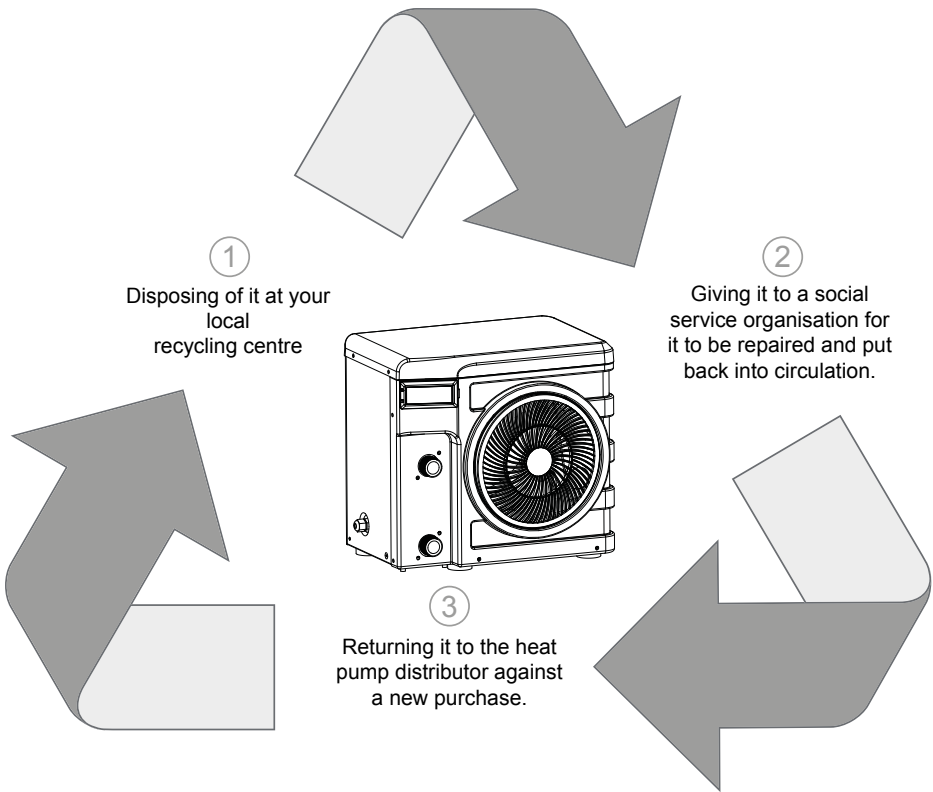
# 8. Recycling

## 8.1 Recycling the heat pump

Your heat pump has reached the end of its life and you wish to dispose of it or to replace it. Do not throw it in the rubbish bin.

A heat pump must be disposed of separately with a view to its reuse, recycling or upgrading. It contains substances that are potentially hazardous to the environment but which will be eliminated or neutralized by recycling.

**YOU HAVE THREE SOLUTIONS:**



# 9. Warranty

## 9.1 General warranty conditions

The Poolstar Company guarantees the original owner against defective materials and faults in the manufacture of the Poolex Nano heat pump for a period of two (2) years.

The compressor is guaranteed for a period of five (5) years.

The titanium tube heat exchanger has a period of fifteen (15) years guarantee against chemical corrosion, except for frost damage.

The condenser's other components are guaranteed for two (2) years.

The warranty becomes effective on the date of the first invoice.

The warranty does not apply in the following cases:

- Malfunction or damage arising from an installation, usage or repair that is not in compliance with the safety instructions.
- Malfunction or damage arising from a chemical agent that is unsuitable for the pool.
- Malfunction or damage arising from conditions that are unsuitable for the equipment's purposes of use.
- Damage arising from negligence, accident or force majeure.
- Malfunction or damage arising from the use of unauthorized accessories.

Repairs undertaken during the warranty period must be approved prior to being carried out by an authorized technician. The warranty shall be null and void if the repair to the equipment is carried out by a person who is not authorized by the Poolstar company.

The guaranteed parts shall be replaced or repaired at Poolstar's discretion. Defective parts must be returned to our workshops to be covered during the warranty period. The warranty does not cover labor costs or unauthorized replacements. The return of the defective part is not covered by the warranty.

Dear Sir/Madam,

**A question ? A problem ? Or simply register your guarantee, find us on our website:**

**<http://support.poolex.fr/>**

We thank you for your trust in our products.

Enjoy your swimming!

Your details may be treated in accordance with the Data Protection Act of 6 January 1978 and will not be divulged to any third party.

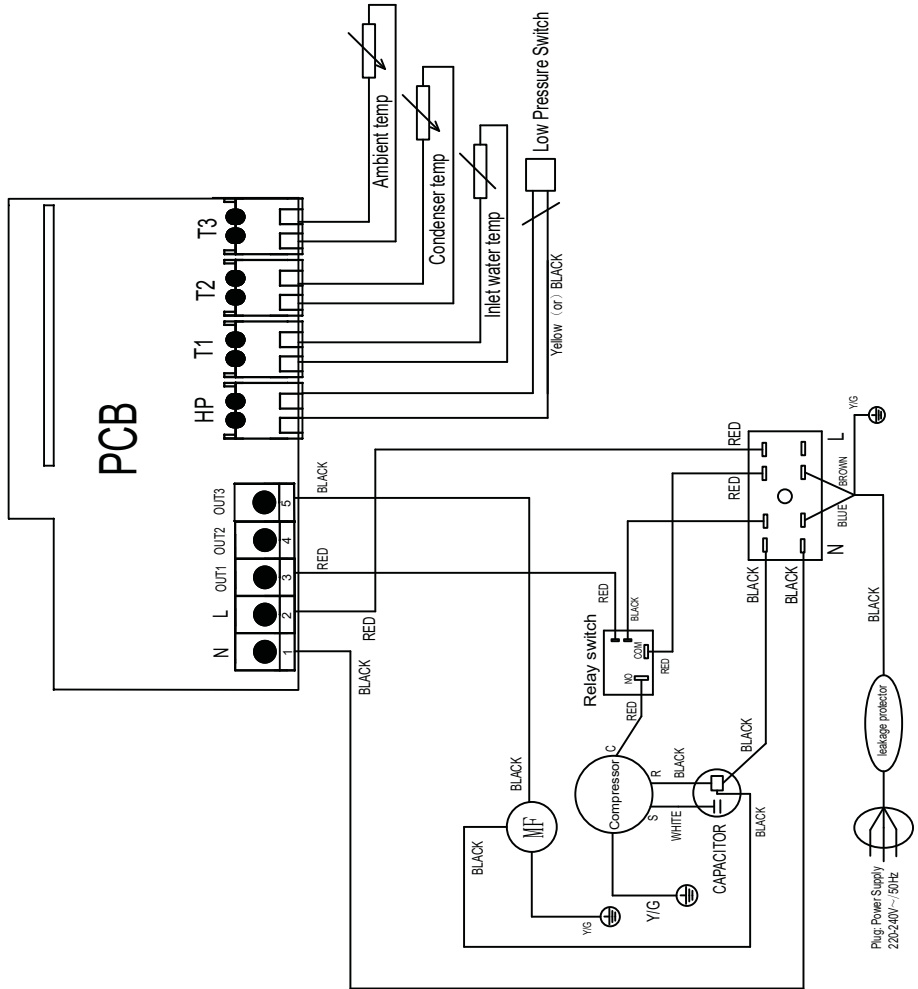
### **WARNING:**

**The contractual warranty cannot be validated with the installer or Poolstar unless your product has been registered on our website.**

# A. Appendices / Anhänge / Bijlage

## A.1 Wiring diagrams / Schaltpläne / Bedringschema

EN



# BITTE AUFMERKSAM LESEN



Diese Wärmepumpe enthält ein brennbares Kältemittel R32.

Eingriffe in den Kältemittelkreislauf sind ohne gültige Genehmigung verboten.

Vor Arbeiten am Kältemittelkreislauf sind folgende Vorsichtsmaßnahmen für sicheres Arbeiten erforderlich.

## 1. Arbeitsablauf

Die Arbeiten müssen nach einem kontrollierten Verfahren durchgeführt werden, um das Risiko des Vorhandenseins von brennbaren Gasen oder Dämpfen während der Ausführung der Arbeiten zu minimieren.

## 2. Allgemeiner Arbeitsbereich

Alle Personen in dem Gebiet müssen über die Art der laufenden Arbeiten informiert werden. Vermeiden Sie Arbeiten in einem begrenzten Bereich. Der Bereich um den Arbeitsbereich sollte geteilt und abgesichert werden. Besondere Aufmerksamkeit sollte auf nahe gelegene Flammen- oder Wärmequellen gelegt werden.

## 3. Überprüfung der Anwesenheit von Kältemittel

Der Bereich sollte vor und während der Arbeit mit einem geeigneten Kältemitteldetektor überprüft werden, um sicherzustellen, dass kein potentiell brennbares Gas vorhanden ist. Stellen Sie sicher, dass das verwendete Lecksuchgerät für brennbare Kältemittel geeignet ist, dh es erzeugt keine Funken, ist ordnungsgemäß abgedichtet oder hat innere Sicherheit.

## 4. Vorhandensein eines Feuerlöschers

Wenn an dem Kühlgerät oder einem zugehörigen Teil heiße Arbeiten durchgeführt werden sollen, müssen entsprechende Feuerlöschgeräte vorhanden sein. Installieren Sie einen Trockenpulver- oder CO<sub>2</sub>-Feuerlöscher in der Nähe des Arbeitsbereichs.

## 5. Keine Quelle von Flamme, Hitze oder Funken

Es ist absolut verboten, eine Wärmequelle, Flamme oder Funken in unmittelbarer Nähe von einem oder mehreren Teilen oder Rohren zu verwenden, die ein brennbares Kältemittel enthalten oder enthalten haben. Alle Zündquellen, einschließlich des Rauchens, müssen ausreichend weit vom Installations-, Reparatur-, Ausbau- und Entsorgungsort entfernt sein. Während dieser Zeit kann ein entflammbares Kältemittel in die Umgebung freigesetzt werden. Vor Beginn der Arbeiten sollte die Umgebung des Geräts überprüft werden, um sicherzustellen, dass keine Entflammbarkeit besteht. «Nichtraucher» -Schilder müssen gepostet werden.

## 6. Belüfteter Bereich

Stellen Sie sicher, dass sich der Bereich im Freien befindet oder ausreichend belüftet ist, bevor Sie an dem System arbeiten oder heiße Arbeiten ausführen. Während der Dauer der Arbeiten muss eine gewisse Belüftung aufrechterhalten werden.

## 7. Kontrollen von Kühlgeräten

Wenn elektrische Komponenten ersetzt werden, müssen sie für den vorgesehenen Zweck und die entsprechenden Spezifikationen geeignet sein. Nur die Teile des Herstellers können verwendet werden. Wenden Sie sich im Zweifelsfall an den technischen Service des Herstellers.

Die folgenden Kontrollen sollten auf Anlagen mit brennbaren Kältemitteln angewendet werden:

- Die Größe der Ladung richtet sich nach der Größe des Raumes, in dem die Räume mit dem Kältemittel installiert sind;

- Belüftung und Lüftungsöffnungen funktionieren ordnungsgemäß und sind nicht behindert;

- Wenn ein indirekter Kühlkreislauf verwendet wird, muss auch der Sekundärkreislauf überprüft werden.

- Die Markierung am Gerät bleibt sichtbar und lesbar. Unleserliche Zeichen und Zeichen müssen korrigiert werden;

- Kühlleitungen oder -komponenten werden an einer Stelle installiert, an der es unwahrscheinlich ist, dass sie einer Substanz ausgesetzt sind, die Kältemittel enthaltende Komponenten korrodieren könnte

## 8. Überprüfung von Elektrogeräten

Reparatur und Wartung von elektrischen Komponenten müssen erste Sicherheitsprüfungen und Bauteilprüfungen beinhalten. Wenn ein Defekt vorliegt, der die Sicherheit beeinträchtigen könnte, sollte keine Stromversorgung an den Stromkreis angeschlossen werden, bis das Problem behoben ist.

Die ersten Sicherheitsüberprüfungen müssen Folgendes umfassen:

- Dass die Kondensatoren entladen sind: Dies muss auf eine sichere Weise geschehen, um die Möglichkeit von Funken zu vermeiden;

- Während des Beladens, Rückgewinnens oder Spülens des Kältemittel-Gassystems sind keine elektrischen Komponenten oder Leitungen freigelegt;

- Es besteht eine Kontinuität der Erdung,t

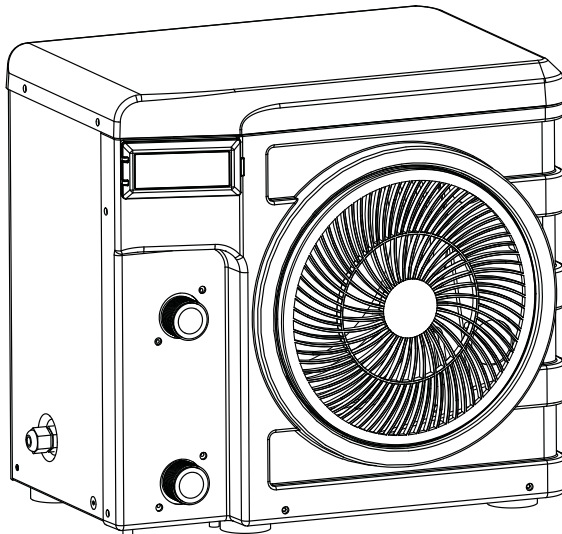
# Danksagung

*Sehr geehrter Kunde,*

*Vielen Dank für Ihren Kauf und das damit verbundene Vertrauen in unsere Produkte.*

*Unsere Produkte sind das Ergebnis einer jahrelangen Forschungsarbeit auf dem Gebiet der Konstruktion und Fertigung von Schwimmbecken-Wärmepumpen. Wir haben den Anspruch, Ihnen ein qualitativ hochwertiges Produkt mit hervorragenden Leistungseigenschaften zu liefern.*

*Die vorliegende Anleitung wurde mit größter Sorgfalt erstellt und soll Ihnen dabei helfen, die Vorzüge Ihrer Poolex-Wärmepumpe bestmöglich zu nutzen.*





# BITTE AUFMERKSAM LESEN

**Die vorliegenden Installationsanweisungen sind ein integraler Bestandteil des Produkts. Sie müssen dem Installateur ausgehändigt und vom Nutzer aufbewahrt werden.**

**Falls Sie die Anleitung verlieren sollten, verweisen wir auf die Website:**

**[www.poolex.de](http://www.poolex.de)**

Alle in der vorliegenden Anleitung enthaltenen Anweisungen und Empfehlungen müssen sorgfältig gelesen und zur Kenntnis genommen werden, da sie wichtige Informationen zur sicheren Handhabung und Bedienung der Wärmepumpe beinhalten. **Bewahren Sie diese Anleitung an einem leicht zugänglichen Ort auf, damit Sie auch in Zukunft problemlos darauf zurückgreifen können.**

**Die Installation muss von qualifiziertem Fachpersonal** unter Einhaltung der geltenden Vorschriften und der Anweisungen des Herstellers durchgeführt werden. Eine unsachgemäße Installation kann Verletzungen von Personen oder Tieren sowie mechanische Schäden nach sich ziehen, für die der Hersteller in keiner Weise haftbar gemacht werden kann.

**Nach dem Auspacken der Wärmepumpe überprüfen Sie bitte den Inhalt auf etwaige Schäden. Überzeugen Sie sich außerdem davon, dass der auf dem Manometer angezeigte Druck über 80 PSI liegt. Ist dies nicht der Fall, könnte ein Kältemittelleck vorliegen.**

Stellen Sie vor dem Anschließen der Wärmepumpe sicher, dass die Installationsbedingungen vor Ort mit den in der vorliegenden Anleitung enthaltenen Vorgaben übereinstimmen und die maximal zugelassenen Grenzwerte für das betreffende Gerät nicht überschreiten.

**Bei Ausfall und/oder Fehlfunktion muss die Wärmepumpe von der Stromversorgung getrennt werden.** Es darf auf keinen Fall versucht werden, den Fehler zu beheben. Reparaturarbeiten dürfen nur von einem zugelassenen technischen Wartungsdienst unter Verwendung von Originalersatzteilen durchgeführt werden. Die Nichteinhaltung der vorgenannten Bestimmungen kann den sicheren Betrieb der Wärmepumpe beeinträchtigen.

Zur Gewährleistung einer effizienten und ordnungsgemäßen Funktion der Wärmepumpe ist es von wesentlicher Bedeutung, dass sie regelmäßig unter Beachtung der hier enthaltenen Anweisungen gewartet wird.

Wird die Wärmepumpe verkauft oder an einen anderen Benutzer übergeben, ist stets darauf zu achten, dass dem künftigen Benutzer neben dem Gerät auch alle technischen Unterlagen ausgehändigt werden.

Die Wärmepumpe darf nur für die Beheizung von Schwimmbecken verwendet werden. Jeder sonstige Verwendungszweck gilt als ungeeignet, unsachgemäß und sogar gefährlich.

Sämtliche vertraglichen und außervertraglichen Pflichten des Herstellers/Händlers gelten nicht für Schäden, die durch Installations- oder Bedienfehler oder durch eine Nichtbeachtung der hier enthaltenen Anleitungen oder der geltenden Installationsvorschriften für das in dieser Anleitung beschriebene Gerät verursacht werden.

<b>1. Allgemeines</b> .....	<b>4</b>
1.1 Allgemeine Lieferbedingungen .....	4
1.2 Sicherheitshinweise .....	4
1.3 Wasseraufbereitung .....	5
<b>2. Beschreibung</b> .....	<b>6</b>
2.1 Lieferumfang .....	6
2.2 Allgemeine Merkmale .....	6
2.3 Technische Daten .....	7
2.4 Abmessungen .....	8
2.5 Explosionsdarstellung .....	9
<b>3. Installation</b> .....	<b>10</b>
3.1 Aufstellort .....	10
3.2 Installationsschema .....	11
3.3 Hydraulikanschluss .....	11
3.4 Elektroanschluss .....	11
<b>4. Verwendung</b> .....	<b>12</b>
4.1 Bedienfeld .....	12
4.2 Heizbetrieb .....	13
4.3 Statuswerte und erweiterte Einstellungen .....	14
<b>5. Betrieb</b> .....	<b>16</b>
5.1 Betrieb .....	16
<b>6. Wartung und Pflege</b> .....	<b>17</b>
6.1 Wartung, Pflege und Einwinterung .....	17
<b>7. Reparaturen</b> .....	<b>18</b>
7.1 Betriebsstörungen und Fehler .....	18
<b>8. Recycling</b> .....	<b>19</b>
8.1 Recyceln der Wärmepumpe .....	19
<b>9. Garantie</b> .....	<b>20</b>
9.1 Allgemeine Garantiebedingungen .....	20
<b>A. Anhänge</b> .....	<b>A</b>
A.1 Schaltpläne .....	A



# 1. Allgemeines

## 1.1 Allgemeine Lieferbedingungen

Der Versand der Ware erfolgt frachtfrei und einschließlich Verpackung auf Risiko und Gefahr des Empfängers.

Der Empfänger muss eine Sichtprüfung durchführen, um eventuell an der Wärmepumpe entstandene Transportschäden (Kühlsystem, Abdeckplatten, Schaltkasten, Montagerahmen) zu identifizieren. Etwaige Transportschäden sind auf dem Lieferschein des Spediteurs schriftlich zu vermerken. Eine entsprechende Bestätigung muss innerhalb von 48 Stunden per Einschreiben an den Spediteur gesendet werden.



Das Gerät muss stets in senkrechter Position auf einer Palette sowie in der Originalverpackung gelagert und transportiert werden. Wird das Gerät in waagerechter Position abgestellt oder transportiert, warten Sie bitte mindestens 24 Stunden, bevor Sie es einschalten.

## 1.2 Sicherheitshinweise



**WICHTIGER HINWEIS: Bitte lesen Sie die Sicherheitshinweise aufmerksam durch, bevor Sie das Gerät verwenden. Die nachstehenden Anweisungen sind sicherheitsrelevant und müssen zwingend beachtet werden.**

### *Installation und Wartung*

Installation, Inbetriebnahme, Wartung und Reparaturen dürfen nur von einer entsprechend qualifizierten Fachkraft unter Einhaltung der geltenden Normen durchgeführt werden.

Vor der Bedienung oder Durchführung von Arbeiten (Installation, Inbetriebnahme, Verwendung, Wartung) muss sich die verantwortliche Person mit allen im Installationshandbuch der Wärmepumpe enthaltenen Anweisungen sowie mit den technischen Daten vertraut machen.

Das Gerät darf keinesfalls in der Nähe von Wärmequellen, brennbaren Stoffen oder dem Frischluft-eintritt eines Gebäudes aufgestellt werden.

Sofern das Gerät nicht in einem Bereich mit beschränktem Zutritt aufgestellt wird, muss ein Schutzgitter um die Wärmepumpe angebracht werden.

Während Installation, Wartung oder Reparaturen nicht auf die Rohrleitungen treten, da es andernfalls zu schweren Verbrennungen kommen kann.

Um schwere Verbrennungen zu vermeiden, muss die Wärmepumpe vor der Durchführung von Arbeiten am Kühlsystem ausgeschaltet und mehrere Minuten gewartet werden, bevor die Temperatur- und Drucksensoren angebracht werden.

Im Zuge der Wartung der Wärmepumpe ist der Kältemittel-Füllstand zu überprüfen.

Es muss überprüft werden, ob die Druckschalter für geringen und hohen Druck korrekt an das Kühlsystem angeschlossen sind und den Schaltkreis unterbrechen, wenn sie während der jährlichen Leckageinspektion des Geräts ausgelöst werden.

Die Kühlsystemkomponenten sind auf Anzeichen von Korrosion und Ölflecken zu prüfen.

# 1. Allgemeines

## *Verwendung*

Während der Ventilator in Betrieb ist, darf er keinesfalls berührt werden, da es andernfalls zu schwere Verletzungen kommen kann.

Sorgen Sie dafür, dass die Wärmepumpe für Kinder unzugänglich ist, um schwere Verletzungen durch die Rotoren des Wärmetauschers zu vermeiden.

Starten Sie das Gerät niemals, wenn sich kein Wasser im Schwimmbecken befindet oder wenn die Umwälzpumpe nicht läuft.

Überprüfen Sie monatlich die Wasserdurchflussmenge, und reinigen Sie ggf. den Filter.

## *Reinigung*

Schalten Sie die Stromversorgung des Geräts aus.

Schließen Sie die Ventile für den Wassereinlass und -auslass.

Führen Sie keine Gegenstände in den Einlass und Auslass für Luft und Wasser ein.

Das Gerät darf nicht mit Wasser abgespült werden.

## *Reparatur*

Arbeiten am Kühlsystem müssen unter Einhaltung der geltenden Sicherheitsbestimmungen durchgeführt werden.

Hardtlötarbeiten müssen von einem ausgebildeten Schweißer durchgeführt werden.

Defekte Kühlsystemkomponenten dürfen nur gegen Ersatzteile ausgetauscht werden, die von unserer technischen Abteilung zertifiziert wurden.

Die Rohrleitungen dürfen nur gegen Kupferrohre gemäß der Norm NF EN12735-1 ausgetauscht werden.

Drucktests zur Leckageerkennung:

Um Brand- und Explosionsgefahr zu vermeiden, darf niemals Sauerstoff oder Trockenluft verwendet werden.

Stattdessen sind trockener Stickstoff oder eine Mischung aus Stickstoff und Kältemittel einzusetzen.

Der Prüfdruck auf Nieder- und Hochdruckseite sollte nicht mehr als 42 bar betragen.

## **1.3 Wasseraufbereitung**

Poolex-Wärmepumpen für Schwimmbecken sind mit allen Arten von Wasseraufbereitungssystemen kompatibel.

Es muss jedoch sichergestellt werden, dass die Wasseraufbereitungsanlage (Dosierpumpe für Chlor, pH, Brom und/oder Salzwasser-Chlorinator) innerhalb des Hydraulikkreises nach dem Heizsystem installiert wird.

**Um die Abnutzung Ihrer Wärmepumpe zu minimieren, sollte der pH-Wert des Wassers zwischen 6,9 und 8,0 liegen.**

# 2. Beschreibung

## 2.1 Lieferumfang

- ✓ Wärmepumpe Poolex Nano Action
- ✓ Hydraulische Anschlüsse für Wasserzu- und -ablauf Durchmesser 32 / 38mm
- ✓ Installations- und Gebrauchsanleitung
- ✓ **4 Vibrationsdämpfer**

## 2.2 Allgemeine Merkmale

Merkmale der Poolex-Wärmepumpe:

- ◆ Zertifizierung gemäß CE- und RoHS-Richtlinie.
- ◆ Hohe Energieeffizienz mit bis zu 80 % weniger Verbrauch im Vergleich zu einem konventionellen Beheizungssystem.
- ◆ Ökologisches, umweltfreundliches Kältemittel R410A mit hoher Kälteleistung.
- ◆ Zuverlässiger und leistungsstarker branchenführender Kompressor.
- ◆ Verdampfer mit großer Wärmeaustauschfläche aus hydrophil beschichtetem Aluminium, der den Betrieb bei niedrigen Temperaturen ermöglicht.
- ◆ Benutzerfreundliche, intuitive Bedienfeld.
- ◆ Gehäuse aus höchst widerstandsfähigem Material mit UV-beständiger und wartungsfreundlicher Oberfläche.
- ◆ Geräuscharm

# 2. Beschreibung

## 2.3 Technische Daten

		3 kW	4 kW	5 kW
Luft <sup>(1)</sup> 26°C Wasser <sup>(2)</sup> 26°C	Heizleistung (W)	2800	4 200	5 010
	Leistungsaufnahme (W)	580	810	990
	<b>COP (Leistungszahl)</b>	<b>4,83</b>	<b>5,19</b>	<b>5,03</b>
Luft <sup>(1)</sup> 15°C Wasser <sup>(2)</sup> 26°C	Heizleistung (W)	2210	3 100	4 030
	Leistungsaufnahme (W)	540	760	1 000
	<b>COP (Leistungszahl)</b>	<b>4,09</b>	<b>4,08</b>	<b>4,03</b>
Stromversorgung	220-240V ~ 50Hz			
Max. Leistung (W)	930	1 200	1 500	
Maximalstrom (A)	4,15	5,32	6,65	
Heiztemperaturbereich	15°C ~ 40°C			
Betriebsbereich	8°C ~ 43°C			
Abmessungen L×B×H (mm)	385 x 400 x 280			
Gewicht (kg)	18	24	26	
Verpackungsmaße L×B×H (mm)	415 x 460 x 370			
Verpackungsgewicht (kg)	20	28	30	
Schalldruckpegel 10m (dBA) <sup>(3)</sup>	<32	<35	<36	
Hydraulikanschluss (mm)	PVC 32 / 38mm			
Wärmetauscher	PVC tank and titanium heating coil			
Min. Wasserdurchflussmenge (m³/h)	1,3	2	2,5	
Kompressortyp	Rotierend			
Kältemittel	R32			
Kältemittel-Fassungsvermögen (kg)	0,15	0,3	0,35	
GWP	675			
CO2 equivalent	0,10	0,203	0,337	
IP-Bewertung der Wasserbeständigkeit	IPX4			
Kurzschlussverlust (mCE)	0,8			
Max. Beckenvolumen (m³) <sup>(4)</sup>	≤21	≤28	≤35	
Steuerkasten	Steuerbildschirm mit Hintergrundbeleuchtung			
Modus	Heizung			

Die technischen Daten unserer Wärmepumpen sind nur zu Informationszwecken gedacht. Wir behalten uns das Recht vor, daran ohne Vorankündigung Änderungen vorzunehmen.

<sup>1</sup> Umgebungstemperatur der Luft

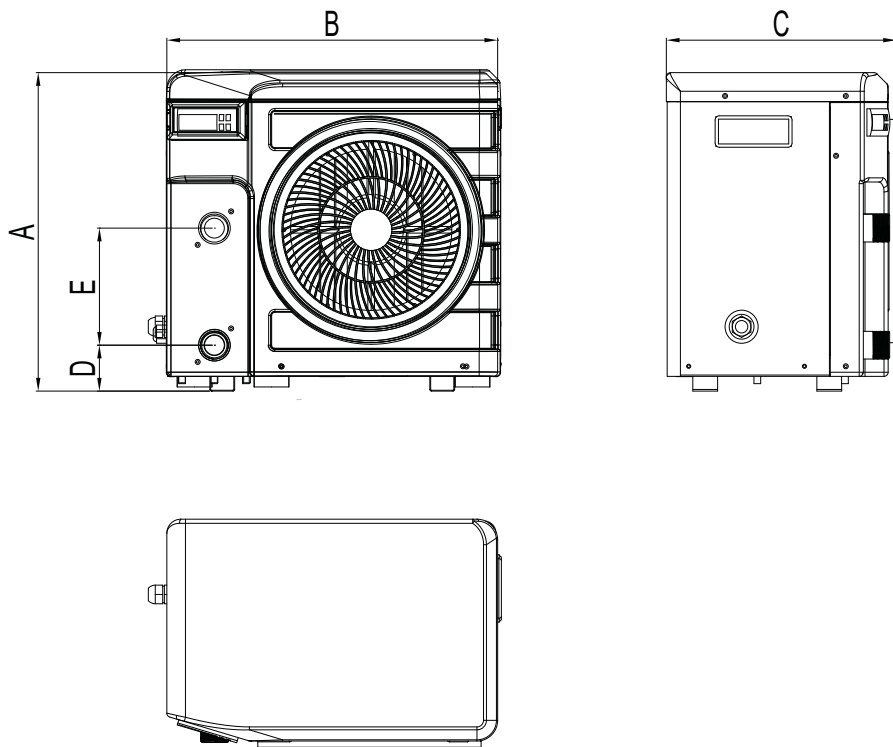
<sup>2</sup> Anfängliche Wassertemperatur

<sup>3</sup> Lärmbelastung bei 10 m Entfernung gemäß Richtlinien EN ISO 3741 und EN ISO 354

<sup>4</sup> Berechnet für einen in den Boden eingelassenen, mit Luftpolsterfolie abgedeckten Privatpool.

# 2. Beschreibung

## 2.4 Abmessungen



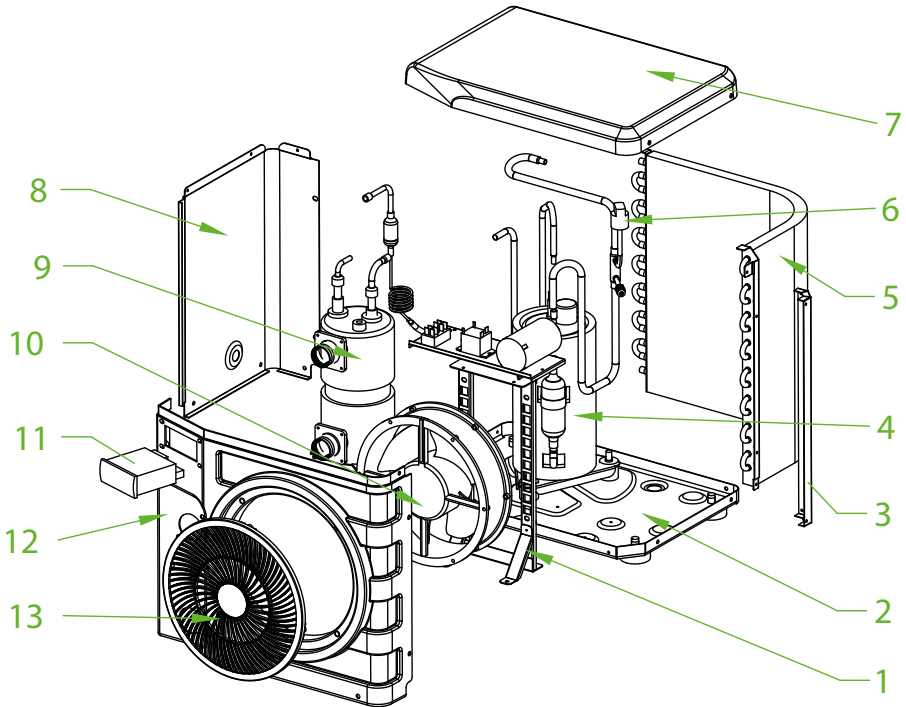
Abmessungen in mm

Nano Action 3 kW / 4 kW / 5 kW	
A	385
B	400
C	280
D	55
E	140

# 2. Beschreibung

## 2.5 Explosionsdarstellung

DE



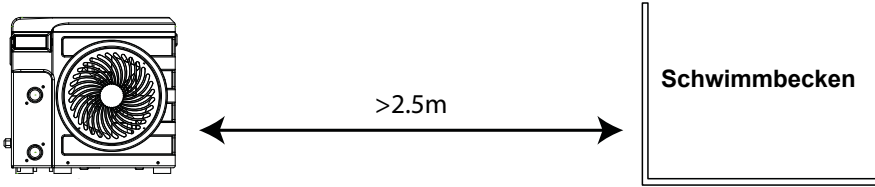
- 1. Ventilator-Rahmenkonstruktion
- 2. Gestell
- 3. Rahmenkonstruktion
- 4. Kompressor
- 5. Verdampfer
- 6. Drucksensor
- 7. Deckplatte
- 8. Abdeckplatte links
- 9. Wärmetauscher
- 10. Ventilator-Motor
- 11. Bedienfeld
- 12. Frontplatte
- 13. Ventilator-Schutzgitter

# 3. Installation

**Die Wärmepumpe ist sehr einfach zu installieren, nur Wasser und Strom müssen während der Installation angeschlossen werden.**

## 3.1 Aufstellort

Die Wärmepumpe sollte mindestens 2,5 Meter vom Schwimmbecken entfernt sein.



**Halten Sie bei der Wahl des Aufstellorts Ihrer Wärmepumpe bitte die folgenden Richtlinien ein.**

1. Das Gerät muss an seinem Aufstellort leicht zugänglich sein, damit es bequem bedient und gewartet werden kann.
2. Es muss auf dem Erdboden installiert und nach Möglichkeit auf einem ebenen Betonboden laid werden. Stellen Sie sicher, dass der Boden ausreichend stabil ist und das Gewicht des Geräts tragen kann.
3. Achten Sie darauf, dass das Gerät ausreichend belüftet wird, dass die Luftausblasöffnung nicht zur Fensterseite benachbarter Gebäude hin ausgerichtet ist und dass kein Zurückströmen der Abluft möglich ist. Darüber hinaus ist rund um das Gerät ein ausreichender Abstand für Reinigungs- und Wartungsarbeiten vorzusehen.
4. Das Gerät darf nicht in der Nähe von Hochfrequenzgeräten installiert werden oder in Bereichen, in denen Öle, entzündliche Gase, Korrosion verursachende Produkte oder schwefelhaltige Substanzen vorliegen.
5. Installieren Sie die Wärmepumpe nicht in der Nähe von Straßen oder Wegen, um eine Verunreinigung des Geräts durch Schlammgespritzer zu vermeiden.
6. Um die Lärmbelästigung möglichst gering zu halten, sollten Sie die Wärmepumpe so installieren, dass sie nicht in Richtung lärmsensibler Bereiche ausgerichtet ist.
7. Stellen Sie das Gerät nach Möglichkeit außerhalb der Reichweite von Kindern auf.



Abmessungen in mm

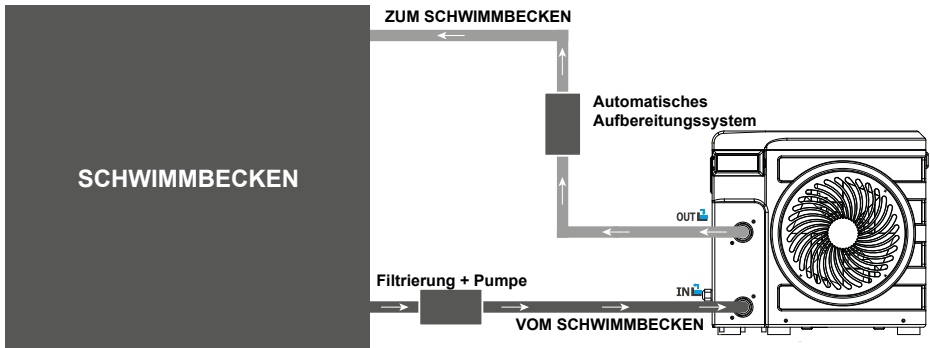
**Platzieren Sie keine Gegenstände in weniger als 1,50 m Entfernung vor der Wärmepumpe.**

**Lassen Sie seitlich und hinter der Wärmepumpe einen Sicherheitsabstand von 30 cm.**

**Platzieren Sie keine Gegenstände unmittelbar über oder vor dem Gerät!**

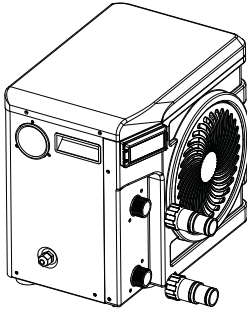
# 3. Installation

## 3.2 Installationsschema



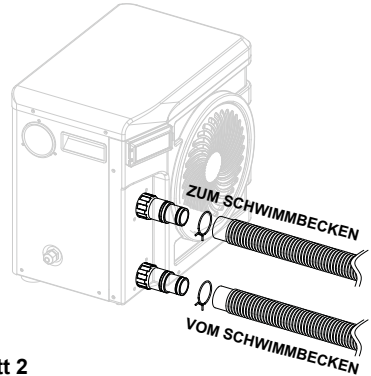
Der der Wärmepumpe vorgeschaltete Filter muss regelmäßig gereinigt werden, damit das zirkulierende Wasser sauber ist und etwaige Funktionsprobleme aufgrund einer Verschmutzung oder Verstopfung des Filters vermieden werden.

## 3.3 Hydraulikanschluss



### Schritt 1

Schrauben Sie die Anschlüsse an der Wärmepumpe fest



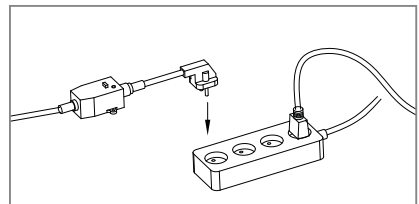
### Schritt 2

Schließen Sie das Wasserauslassrohr und das Wasseransaugrohr an

## 3.4 Elektroinstallation

In der Steckdose der Wärmepumpe ist ein 10mA Differentialschutzschalter eingebaut. Stellen Sie vor dem Anschließen der Wärmepumpe sicher, dass die Steckdose ordnungsgemäß geerdet ist.

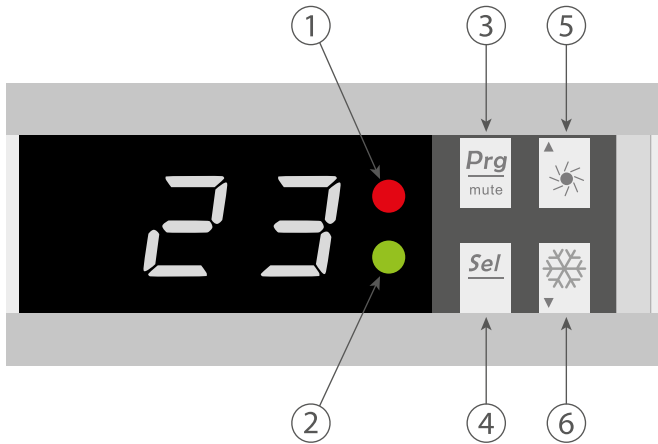
Die Filterpumpe muss gleichzeitig mit der Wärmepumpe arbeiten. Verbinden Sie sie daher mit dem selben Stromkreis.





# 4. Verwendung

## 4.1 Bedienfeld



- 1. Power LED
- 2. LED auftauen

- 3. An / aus Schalter
- 4. Selektieren

- 5. +
- 6. -

# 4. Verwendung

## 4.2 Heizbetrieb



**WICHTIGER HINWEIS:** Stellen Sie eingangs sicher, dass die Filterpumpe korrekt funktioniert.

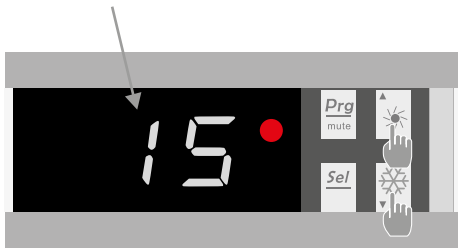
**Schritt 1:** Drücken Sie , um die Pumpe einzuschalten.

**Schritt 2:** Wählen Sie mithilfe der Pfeile  und  die gewünschte Temperatur aus.

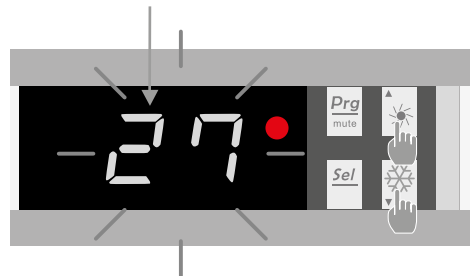
BEISPIEL:

Wenn die aktuelle Temperatur 15°C beträgt, ist der Standardwert 27°C und die gewünschte Temperatur ist 30°C.

Aktuelle-Temperatur



Soll-Temperatur



### Wissenswertes zur Funktion des Heizbetriebs

Wenn die Temperatur des zulaufenden Wassers geringer oder gleich der festgelegten Temperatur (Soll-Temperatur) - X °C ist, schaltet die Wärmepumpe in den Heizbetrieb. Der Kompressor stoppt, wenn die Temperatur des zulaufenden Wassers größer oder gleich der festgelegten Temperatur (Soll-Temperatur)

#### Angaben zum Einstellbereich X

X : variabler Parameter von 1° bis 15°C, Standardeinstellung bei 3°C. (Parameter N°6)

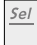
# 4. Verwendung

## 4.3 Statuswerte und erweiterte Einstellungen

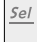


**WICHTIGER HINWEIS:** Dieser Vorgang dient dazu, künftige Wartungs- und Reparaturarbeiten zu erleichtern. Die Standardeinstellungen sollten nur von erfahrenem Fachpersonal geändert werden.

Die Systemparameter können über die Fernbedienung überprüft und eingestellt werden. Befolgen Sie hierzu die nachfolgenden Schritte.

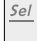
**Schritt 1 :** Drücken Sie  so oft, bis sich das Gerät im Modus zur Bestätigung der Einstellungen befindet.


**Schritt 2 :** Drücken Sie  und  um die Einstellungen zu sehen.

**Schritt 3 :** Drücken Sie  um die zu ändernde Einstellung auszuwählen.

*HINWEIS: Bestimmte Einstellungen können nicht geändert werden. Weitere Informationen können Sie der Parametertabelle entnehmen.*

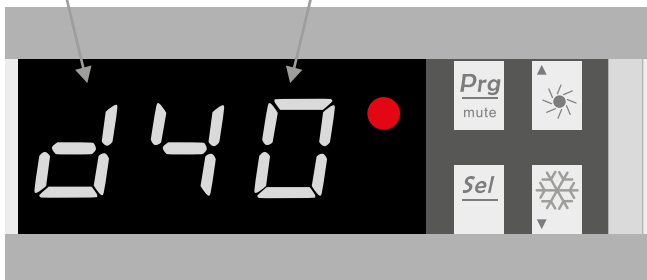
**Schritt 4 :** Drücken Sie  und  um den Parameterwert einzustellen.

**Schritt 5 :** Drücken Sie  um den neuen Wert festzulegen.

**Schritt 6 :** Drücken Sie  um zur Hauptanzeige zurückzukehren.

Parameter d

Value 40



# 4. Verwendung

Parametertabelle

Nr.	Beschreibung	Einstellbereich	Werkseinstellung	Anmerkungen
A	Wasservorlauftemperatur	-19~99°C		Ist-Werte
b	Wasserrücklauftemperatur	-19~99°C		Ist-Werte
c	Umgebungstemperatur der Luft	-19~99°C		Ist-Werte
d	Standardtemperatur	15~40°C	27°C	Einstellbar
E	Auto-Aktivierungszeit des Abtauvorgangs	10~80 min	40 min	Einstellbar
F	Maximale Dauer des Abtauvorgangs	10~40 min	30 min	Einstellbar
H	Einstellung der Temperaturabweichung für den Neustart	1~10°C	3°C	Einstellbar
J	Automatischer Neustart	0 = OFF 1 = ON	1	Einstellbar
O	Frostschutz - niedrige Lufttemperatur	0~15°C	8°C	Einstellbar
P	Evaporator temperature to enter defrosting mode	-19°C~0°C	-3°C	Einstellbar
U	Verdampfertemperatur zum Verlassen des Abtaumodus	1~30°C	20°C	Einstellbar
t	Reserviert - nicht ändern			Reserviert

DE

# 5. Betrieb

## 5.1 Betrieb

### *Betriebsbedingungen*


**Damit die Wärmepumpe normal funktioniert, muss die Umgebungstemperatur der Luft zwischen 8°C und 43 °C liegen.**

### *Empfehlungen für das Vorgehen vor dem Einschalten*

Gehen Sie folgendermaßen vor, bevor Sie die Wärmepumpe in Betrieb nehmen:

- ✓ Überprüfen Sie, ob das Gerät standsicher ist.
- ✓ Kontrollieren Sie die ordnungsgemäße Funktion Ihrer Elektroinstallation.
- ✓ Stellen Sie sicher, dass die Hydraulikanschlüsse dicht sind und kein Wasser austritt.
- ✓ Entfernen Sie alle unnötigen Gegenstände und Werkzeuge aus dem Bereich um das Gerät.

### *Verwendung*

1. Schließen Sie den Netzstecker des Geräts an.
2. Aktivieren Sie die Umwälzpumpe.
3. Aktivieren Sie den Stromversorgungsschutz des Geräts (Differenzschalter befindet sich am Stromkabel).
4. Aktivieren Sie die Wärmepumpe durch einmaliges Drücken auf .
5. Wählen Sie die gewünschte Temperatur.
6. Der Kompressor der Wärmepumpe schaltet sich kurz danach ein.

Nun brauchen Sie nur darauf zu warten, dass die Soll-Temperatur erreicht wird.



**WICHTIGER HINWEIS:** Unter normalen Bedingungen kann eine geeignete Wärmepumpe das Wasser in einem Schwimmbecken um 1 bis 2 °C pro Tag erwärmen. Es ist daher durchaus normal, wenn Sie keinen Temperaturunterschied im System spüren können, während die Wärmepumpe arbeitet.

Um Wärmeverlust zu vermeiden, muss ein beheiztes Schwimmbecken abgedeckt werden.

# 6. Wartung und Pflege

## 6.1 Wartung, Pflege und Einwinterung



**WICHTIGER HINWEIS: Vor Beginn von Wartungsarbeiten am Gerät müssen Sie das Gerät unbedingt von der Stromversorgung trennen.**

### Reinigung

Das Gehäuse der Wärmepumpe muss mit einem feuchten Tuch gereinigt werden. Tenside und andere Haushaltsreiniger können die Gehäuseoberfläche beschädigen und ihre Eigenschaften beeinträchtigen.

Der Verdampfer auf der Rückseite der Wärmepumpe muss vorsichtig mit einem Staubsauger mit weichem Bürstenaufsatz abgesaugt werden.

### Jährliche Wartung

Folgende Arbeiten sind mindestens einmal pro Jahr von einer qualifizierten Person vorzunehmen:

- ✓ Sicherheitsprüfungen.
- ✓ Überprüfung der Integrität der elektrischen Kabel.
- ✓ Überprüfung der Erdungsanschlüsse.
- ✓ Überprüfung von Manometer und Kältemittel

### Einwinterung

Ihre Wärmepumpe ist so konzipiert, dass sie bei Regenwetter und Frost mit einer speziell entwickelten Frostschutztechnologie funktioniert. Es wird jedoch nicht empfohlen, das Gerät für längere Zeit draußen zu lassen (z. B. im Winter). Bewahren Sie die Wärmepumpe nach dem Ablassen des Pools für den Winter an einem trockenen Ort auf.

# 7. Dépannage



**WICHTIGER HINWEIS:** Unter normalen Bedingungen kann eine geeignete Wärmepumpe das Wasser in einem Schwimmbecken um 1 bis 2 °C pro Tag erwärmen. Es ist daher durchaus normal, wenn Sie keinen Temperaturunterschied im System spüren können, während die Wärmepumpe arbeitet.  
Um Wärmeverlust zu vermeiden, muss ein beheiztes Schwimmbecken abgedeckt werden.

## 7.1 Betriebsstörungen und Fehler

Im Falle eines Problems zeigt der Bildschirm der Wärmepumpe anstelle der Temperaturanzeigen einen Fehlercode an. Die möglichen Fehlerursachen sowie die zu ergreifenden Maßnahmen entnehmen Sie bitte der unten Tabelle.

Fehlercode	Fehler	Mögliche Ursachen	Maßnahmen
P1	Störung des Sensors für die Wasservorlauftemperatur	Sensor ist nicht richtig angeschlossen	Schließen Sie den Sensor neu an.
		Sensor defekt	Wechseln Sie den Sensor aus.
		Steuerkasten defekt	Wechseln Sie die Steuerkasten aus
P3	Störung Verdampfer Temperatursensor	Ursachen identisch mit P1	Maßnahmen identisch mit P1
P5	Störung des Sensors für die Außentemperatur		
P7	Frostschutz	Schutz wird aktiviert, wenn die Umgebungstemperatur zu gering ist	Kein Benutzereingriff erforderlich
E6	Niederdruckschutz	Nicht genügend Kältemittel	Korrigieren Sie die Kältemittelmenge.
		Druckschalter nicht angeschlossen oder defekt	Schließen Sie den Druckschalter wieder an bzw. wechseln Sie ihn aus.
		Steuerkasten defekt	Wechseln Sie die Steuerkasten aus
Die Wärmepumpe funktioniert nicht		Nicht genügend Wasser im Wärmetauscher 1	Überprüfen Sie die Funktion des Wasserkreislaufs
		Steuerkasten defekt	Wechseln Sie die Steuerkasten aus

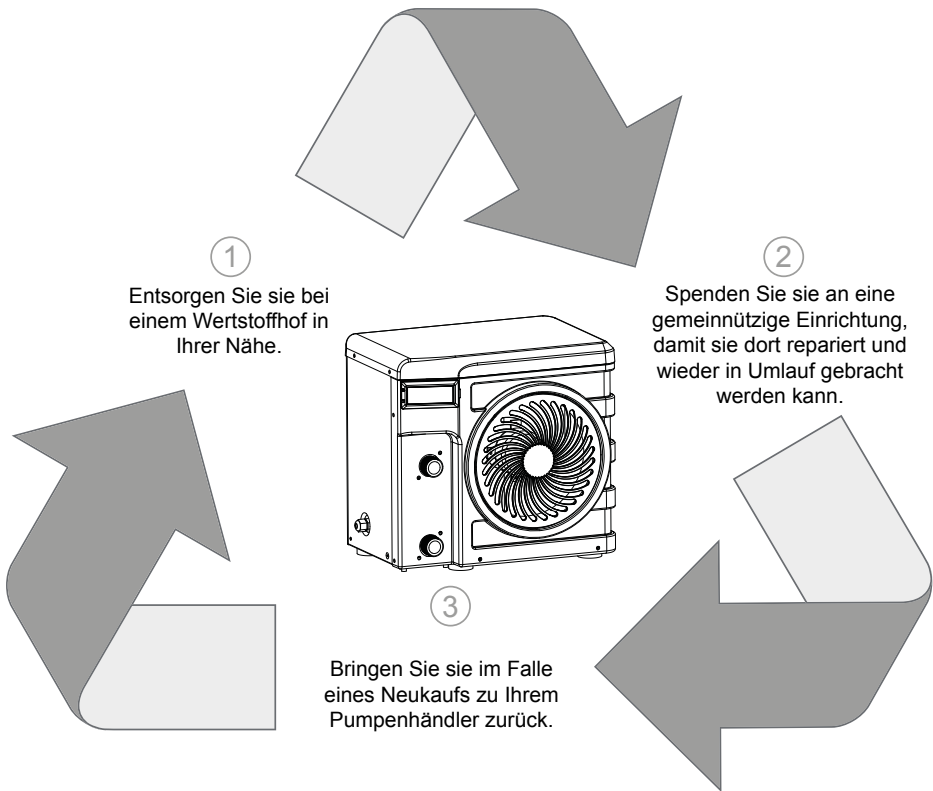
# 8. Recycling

## 8.1 Recyceln der Wärmepumpe

Ihre Wärmepumpe hat das Ende ihres Produktlebenszyklus erreicht. Sie möchten sie nun abgeben oder ersetzen. Bitte entsorgen Sie sie nicht über den Hausmüll.

Die Wärmepumpe muss getrennt entsorgt werden, um der Wiederverwendung, dem Recycling oder einer Nachrüstung zugeführt werden zu können. Sie enthält potenziell umweltschädliche Substanzen, die durch das Recycling eliminiert oder neutralisiert werden.

### SIE HABEN DREI MÖGLICHKEITEN:





# 9. Garantie

## 9.1 Allgemeine Garantiebedingungen

Die Firma Poolstar übernimmt gegenüber dem Erstkäufer für einen Zeitraum von drei (2) Jahren eine Garantie für sämtliche Material- und Fertigungsfehler an der Wärmepumpe Poolex Nano Action.

Für den Kompressor beträgt die Garantiezeit fünf (5) Jahre.

Für den Wärmetauscher aus Titan Garantiezeit fünfzehn (15) Jahre gegen chemische Korrosion, mit Ausnahme von Frostschäden, gewährt.

Für alle anderen Komponenten des Kondensators wird eine Garantie von drei (2) Jahren gewährt.

Die Garantielaufzeit beginnt ab Rechnungsdatum.

In folgenden Fällen gilt die Garantie nicht:

- Fehlfunktionen oder Schäden infolge einer unter Missachtung der Sicherheitshinweise ausgeführten Installation, Nutzung oder Reparatur
- Fehlfunktionen oder Schäden infolge eines ungeeigneten chemischen Milieus des Schwimmbeckens
- Fehlfunktionen oder Schäden infolge einer unsachgemäßen und zweckfremden Verwendung des Geräts
- Schäden infolge von Fahrlässigkeit, Havarie oder höherer Gewalt Fehlfunktionen oder Schäden infolge der Verwendung von nicht zugelassenen Zubehörteilen

Sämtliche Reparaturen, die während der Garantiezeit anfallen, müssen vor Ausführung genehmigt und dürfen nur von einem zugelassenen Techniker vorgenommen werden. Wird eine Reparatur durch eine unbefugte, nicht von der Firma Poolstar zugelassene Person ausgeführt, erlischt die Garantie.

Die von der Garantieleistung abgedeckten Bauteile werden im Ermessen der Firma Poolstar ersetzt oder repariert. Für eine Kostenübernahme müssen defekte Teile innerhalb der Garantiezeit an unser Werk zurückgeschickt werden. Die Garantieleistung erstreckt sich nicht auf die Lohnkosten oder die Kosten von nicht autorisierten Ersatzteilen. Die Kosten für die Rücksendung des fehlerhaften Bauteils sind nicht durch die Garantie abgedeckt.

Sehr geehrter Kunde/sehr geehrte Kundin,

**La preghiamo di dedicare qualche minuto alla compilazione del modulo di registrazione della garanzia che troverà nel nostro sito Internet:**

**<http://support.poolex.de/>**

Wir danken Ihnen für Ihr Vertrauen in unsere Produkte.

Viel Spaß beim Schwimmen!

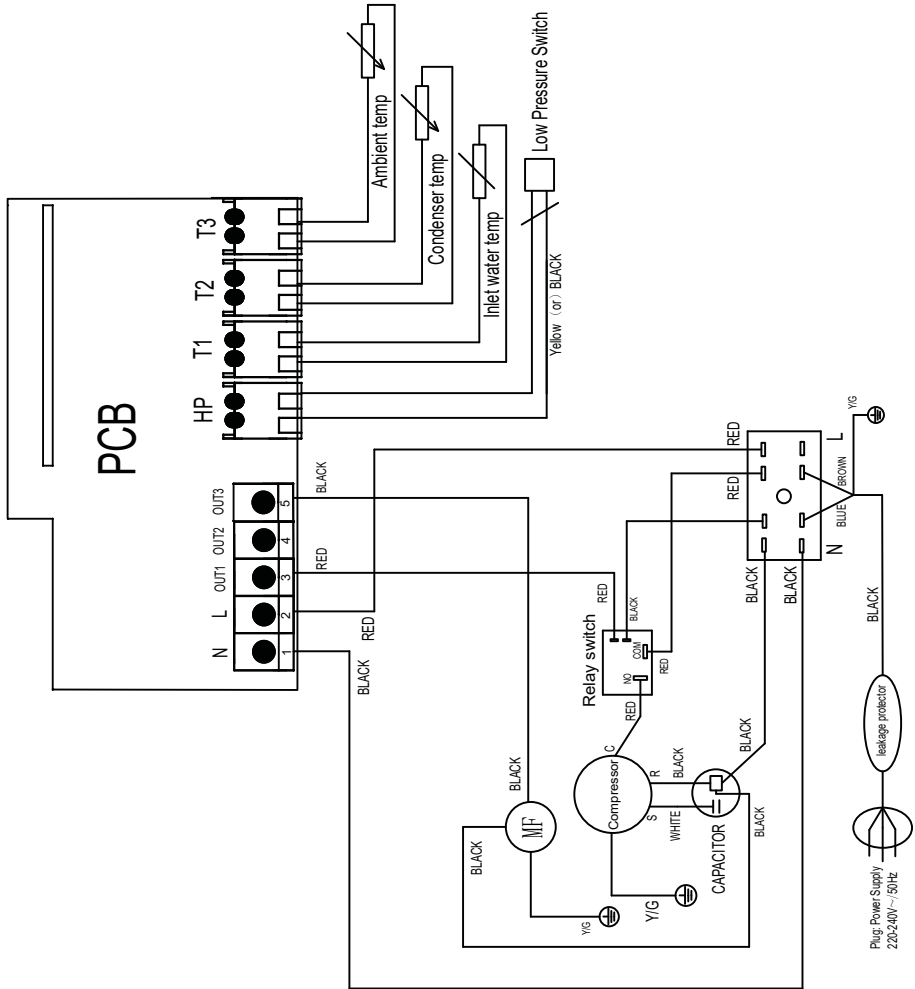
Ihre Angaben unterliegen dem Data Protection Act vom 6. Januar 1978 und werden nicht an Dritte weitergegeben.

### WICHTIGER HINWEIS:

Die vertragliche Garantie kann nur dann bei Ihrem Installateur oder bei Poolstar geltend gemacht werden, wenn Sie Ihr Produkt auf unserer Website registriert haben.

# A. Anhänge

## A.1 Schaltpläne



# Waarschuwingen



**Deze warmtepomp bevat een ontvlambaar koelmiddel R32.**

**Elke ingreep in het koudemiddelcircuit is verboden zonder een geldige autorisatie.**

**Voordat u aan het koelcircuit werkt, zijn de volgende voorzorgsmaatregelen nodig voor veilig werken.**

## **1. Werkprocedure**

Het werk moet volgens een gecontroleerde procedure worden uitgevoerd om het risico van de aanwezigheid van brandbare gassen of dampen tijdens de uitvoering van de werken tot een minimum te beperken.

## **2. Algemeen werkgebied**

Alle personen in het gebied moeten worden geïnformeerd over de aard van het onderhanden werk. Werk niet in een afgesloten ruimte. Het gebied rond het werkgebied moet worden verdeeld, beveiligd en er moet speciale aandacht worden besteed aan nabijgelegen bronnen van vuur of warmte.

## **3. Verificatie van de aanwezigheid van koelmiddel**

Het gebied moet voor en tijdens het werk worden gecontroleerd met een geschikte koelmiddeldetector om ervoor te zorgen dat er geen potentieel ontvlambaar gas is. Zorg ervoor dat de gebruikte lekdetectieapparatuur geschikt is voor ontvlambare koelmiddelen, dwz dat deze geen vonken produceren, goed zijn afgedicht of een interne veiligheid hebben.

## **4. Aanwezigheid van brandblusser**

Als warm werk moet worden uitgevoerd op de koelapparatuur of een bijbehorend onderdeel, moet geschikte brandblusapparatuur beschikbaar zijn. Installeer een droog poeder of CO<sub>2</sub> brandblusser in de buurt van het werkgebied.

## **5. Geen bron van vuur, hitte of vonk**

Het is volledig verboden om een warmtebron, vlam of vonk te gebruiken in de directe nabijheid van een of meer delen of buizen die een ontvlambaar koelmiddel bevatten of hebben bevat. Alle ontstekingsbronnen, inclusief roken, moeten voldoende ver verwijderd zijn van de plaats van installatie, reparatie, verwijdering en verwijdering, gedurende welke tijd een brandbaar koelmiddel in de omgeving kan vrijkomen. Voordat met het werk wordt begonnen, moet de omgeving van de apparatuur worden gecontroleerd om er zeker van te zijn dat er geen risico op ontvlambaarheid bestaat. «Niet roken» -borden moeten worden geplaatst.

## **6. Geventileerde ruimte**

Zorg ervoor dat het gebied zich in de open lucht bevindt of dat het goed geventileerd is voordat u aan het systeem werkt of warm werk verricht. Bepaalde ventilatie moet tijdens de duur van het werk worden gehandhaafd.

## **7. Regeling van koelapparatuur**

Wanneer elektrische componenten worden vervangen, moeten deze geschikt zijn voor het beoogde doel en de juiste specificaties. Alleen de onderdelen van de fabrikant kunnen worden gebruikt. Neem bij twijfel contact op met de technische dienst van de fabrikant.

De volgende controles moeten worden toegepast op installaties met behulp van brandbare koudemiddelen:

- De grootte van de lading is in overeenstemming met de grootte van de ruimte waarin de kamers met het koelmiddel zijn geïnstalleerd;

- Ventilatie en ventilatieopeningen werken naar behoren en worden niet belemmerd;

- Als een indirect koelcircuit wordt gebruikt, moet ook het secundaire circuit worden gecontroleerd.

- De markering op de apparatuur blijft zichtbaar en leesbaar. Onleesbare tekens en tekens moeten worden gecorrigeerd;

- Koelleidingen of -componenten worden geïnstalleerd in een positie waar het onwaarschijnlijk is dat ze worden blootgesteld aan een stof die componenten kan aantasten die koelmiddel bevatten

## **8. Verificatie van elektrische apparaten**

Reparatie en onderhoud van elektrische componenten moeten initiële veiligheidscontroles en inspectieprocedures voor onderdelen omvatten. Als er een defect is dat de veiligheid in gevaar zou kunnen brengen, mag er geen stroomvoorziening op het circuit worden aangesloten totdat het probleem is opgelost.

De eerste beveiligingscontroles moeten het volgende omvatten:

• Dat de condensatoren worden ontladen: dit moet op een veilige manier worden gedaan om de mogelijkheid van vonken te voorkomen;

• Er worden geen elektrische componenten of bedrading blootgesteld tijdens het laden, terugwinnen of spoelen van het koelgas-systeem;

• Er is continuïteit van de aarding.

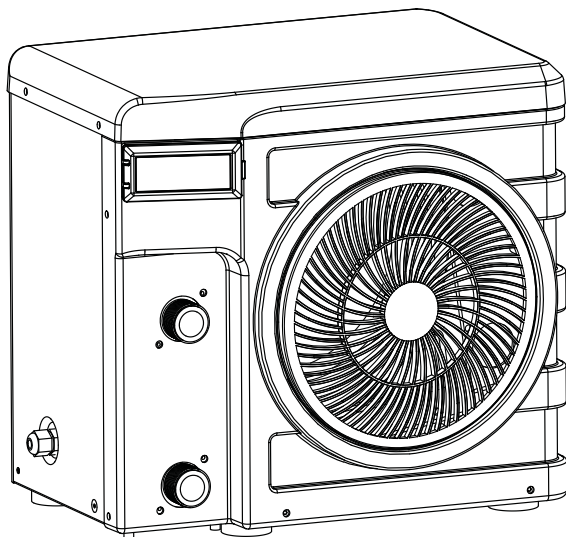
# Dank u

*Geachte klant,*

*Dank u voor de aanschaf van deze pomp en voor het gestelde vertrouwen in onze producten.*

*Onze producten zijn het resultaat van vele jaren van onderzoek op het gebied van ontwerp en productie van warmtepompen voor zwembaden. Ons doel is altijd om u te voorzien van een buitengewoon hoogwaardig product.*

*Deze handleiding is zorgvuldig samengesteld, zodat u optimaal kunt profiteren van uw Poolex warmtepomp.*





# LEES DEZE HANDLEIDING ZORGVULDIG

**Deze installatie-instructies vormen een integraal onderdeel van het product. Ze moeten beschikbaar gesteld worden aan de installateur en door de gebruiker worden bewaard**

**Indien de handleiding onverhoopt verloren gaat, raadpleeg dan de website:**

**[www.poolex.nl](http://www.poolex.nl)**

De aanwijzingen en aanbevelingen in deze handleiding moeten zorgvuldig gelezen en begrepen worden, aangezien ze waardevolle informatie bevatten over de veilige hantering en het gebruik van de pomp. **Bewaar deze handleiding voor toekomstig gebruik op een gemakkelijk te bereiken plaats.**

**De installatie moet worden uitgevoerd door een gekwalificeerde professional** in overeenstemming met de geldende voorschriften en de aanwijzingen van de fabrikant. Een installatiefout kan lichamelijk letsel aan personen en dieren veroorzaken, alsmede mechanische schade waarvoor de fabrikant in geen enkel geval aansprakelijk kan worden gesteld.

**Controleer de warmtepomp na het uitpakken zodat u eventuele beschadigingen kunt rapporteren. Controleer tevens of de op de manometer aangegeven druk hoger is dan 80 psi. Zo niet, dan kan dit wijzen op gelekte koelvloeistof.**

Voordat de warmtepomp wordt aangesloten moet worden gecontroleerd of de informatie in deze handleiding compatibel is met de installatie-instructies en of de voor dit specifieke product toegestane maximumwaarden niet worden overschreden.

**In het geval van een defect en/of storing van de warmtepomp, moet de stroomtoevoer worden losgekoppeld** en moet niet worden geprobeerd om de fout te repareren.

Reparaties moeten uitsluitend worden uitgevoerd door een erkende technische serviceorganisatie met gebruik van originele vervangingsonderdelen. Nalaten om zich te houden aan de bovengenoemde bepalingen kan een negatief effect hebben op de veilige werking van de warmtepomp.

Om de efficiëntie en goede werking van de pomp te garanderen, is het belangrijk dat regelmatig onderhoud wordt uitgevoerd in overeenstemming met de gegeven instructies.

Als de warmtepomp wordt verkocht of overgedragen, moet altijd gezorgd worden dat alle technische documentatie tezamen met het product aan de nieuwe eigenaar wordt overgedragen.

Deze warmtepomp is uitsluitend geschikt voor het verwarmen van een zwembad. Elk ander gebruik moet als ontoepasselijk, incorrect of zelfs als gevaarlijk worden beschouwd.

Alle contractuele of niet-contractuele aansprakelijkheid van de fabrikant/distributeur komt te vervallen in het geval van schade die is veroorzaakt door installatie- of operationele fouten, of door het niet naleven van de instructies in deze handleiding of van de huidige installatienormen die van toepassing zijn op de in dit document beschreven uitrusting.

# Inhoud

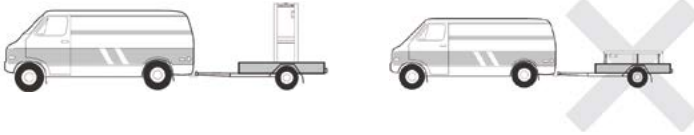
<b>1. Algemeen</b>	<b>4</b>
1.1 Algemene leveringsvoorwaarden	4
1.2 Veiligheidsinstructies	4
1.3 Waterbehandeling	5
<b>2. Beschrijving</b>	<b>6</b>
2.1 Inhoud van de verpakking	6
2.2 Algemene eigenschappen	6
2.3 Technisch specificaties	7
2.4 Afmetingen	8
2.5 Opengewerkte tekening	9
<b>3. Installatie</b>	<b>10</b>
3.1 Locatie	10
3.2 Indeling van installatie	11
3.3 Hydraulische aansluiting	11
3.4 Elektrische aansluiting	11
<b>4. Gebruik</b>	<b>12</b>
4.1 Bedieningspaneel	12
4.2 Functionerings keuze	12
4.3 Koel functie	12
4.4 Verwarming functie	13
4.5 Statuswaarden en geavanceerde instellingen	14
<b>5. Bediening</b>	<b>16</b>
5.1 Bediening	16
<b>6. Onderhoud en service</b>	<b>17</b>
6.1 Onderhoud, service en winteropslag	17
<b>7. Reparaties</b>	<b>18</b>
7.1 Storingen en defecten	18
<b>8. Recyclen</b>	<b>19</b>
8.1 De warmtepomp recyclen	19
<b>9. Garantie</b>	<b>20</b>
9.1 Algemene garantievoorwaarden	20
<b>A. Bijlage</b>	<b>A</b>
A.1 Bedradingsschema	A

# 1. Algemeen

## 1.1 Algemene leveringsvoorwaarden

Alle uitrusting wordt verzonden voor het eigen risico van de geadresseerde, zelfs in het geval van franco verzending en verpakking.

De persoon die verantwoordelijk is voor het in ontvangst nemen van de uitrusting moet deze visueel controleren op eventuele beschadigingen tijdens het transport (koelsysteem, panelen, elektrische regelkast, frame). Hij/zij moet opmerkingen over schade tijdens het transport vermelden op de vrachtbrief en dit per aangetekende brief binnen 48 uur melden aan de vervoerder.



De uitrusting moet altijd verticaal op een pallet en in de oorspronkelijke verpakking opgeslagen en getransporteerd worden. Als de uitrusting horizontaal wordt opgeslagen of getransporteerd, moet met het inschakelen ten minste 24 uur worden gewacht.

## 1.2 Veiligheidsinstructies

**WAARSCHUWING: Lees de veiligheidsinstructies zorgvuldig alvorens de uitrusting te gebruiken. De volgende instructies zijn essentieel voor de veiligheid en moeten daarom strikt worden opgevolgd.**



### *Tijdens installatie en onderhoud*

Installatiewerkzaamheden, opstarten, onderhoud en reparaties moeten uitsluitend worden uitgevoerd door een gekwalificeerde persoon en overeenkomstig de geldende normen.

Alvorens de uitrusting te gebruiken of daaraan werkzaamheden te verrichten (installatie, ingebruikname, gebruik, onderhoud), moet de verantwoordelijke persoon op de hoogte zijn van alle instructies in de installatiehandleiding van de pomp en van alle technische specificaties.

De uitrusting mag in geen geval dichtbij een hittebron, brandbare materialen of de luchtinlaatopening van een gebouw worden geïnstalleerd.

Als de installatie niet plaatsvindt op een plaats met beperkte toegang, moet een beschermrooster voor de warmtepomp worden aangebracht.

Loop tijdens de installatie, reparatie of onderhoud niet op het leidingwerk, om ernstige brandwonden te voorkomen.

Om ernstige brandwonden te voorkomen moet alvorens werkzaamheden te verrichten aan het koelsysteem de warmtepomp worden uitgeschakeld en moet enkele minuten worden gewacht alvorens de temperatuur- en druksensors te plaatsen.

Controleer tijdens het onderhoud het koelvloeistofniveau van de warmtepomp.

Controleer tijdens de jaarlijkse lekkagecontrole of de hoge- en lagedrukschakelaars correct zijn aangesloten op het koelsysteem en of ze het elektrisch circuit uitschakelen als ze getript worden.

Controleer of er geen sporen van corrosie of olievlekken aanwezig zijn rond de onderdelen met koelvloeistof.

# 1. Algemeen

## *Tijdens gebruik*

Om ernstig letsel te voorkomen mag de ventilator terwijl deze in bedrijf is nooit worden aangeraakt.

Houd de pomp buiten het bereik van kinderen om ernstig letsel door de bladen van de warmtewisselaar te voorkomen.

Start de uitrusting nooit als het zwembad leeg is of als de circulatiepomp is gestopt.

Controleer maandelijks het waterdebiet en reinig het filter, indien nodig.

## *Tijdens het reinigen*

Schakel de stroomtoevoer naar de uitrusting uit.

Sluit de waterinlaat- en uitlaatkleppen.

Steek niets in de lucht- of waterinlaat- of uitlaatopeningen.

Spoel de uitrusting niet met water af.

## *Tijdens reparaties*

Voer werkzaamheden aan het koelsysteem uit volgens de geldende veiligheidsvoorschriften.

Hardsolderen moet worden gedaan door een gekwalificeerde lasser.

Gebruik voor het vervangen van een defect koelsysteemonderdeel uitsluitend onderdelen die door onze technische afdeling gecertificeerd zijn.

Voor het vervangen van leidingwerk bij reparaties mogen alleen koperen buizen worden gebruikt die voldoen aan de norm NF EN12735-1.

Bij het uitvoeren van drukproeven om lekkages op te sporen:

Gebruik nooit zuurstof of droge lucht, om brand- of ontploffingsgevaar te vermijden.

Gebruik droge stikstof of een mengsel van stikstof en koelvloeistof.

De proefdruk aan de lage en hoge zijde mag niet meer dan maximaal 42 bar bedragen.

## 1.3 Waterbehandeling

Poolx warmtepompen voor zwembaden kunnen worden gebruikt met alle soorten waterbehandelings-systemen.

Het is niettemin essentieel dat het behandelingssysteem (doseerpompen voor chloor, pH, bromine en/of zoutelektrolyse) na de warmtepomp in het hydraulisch circuit wordt geïnstalleerd.

**Om verslechtering van de warmtepomp te voorkomen moet het pH van het water tussen 6,9 en 8,0 worden gehouden.**



# 2. Beschrijving

## 2.1 Inhoud van de verpakking

- ✓ Warmtepomp Poolex Nano Action
- ✓ 2 hydraulische inlaat-/uitlaataansluitingen 32/38mm diameter
- ✓ Deze installatie- en gebruikershandleiding
- ✓ **4 antitrilrussens**

## 2.2 Algemene eigenschappen

Een Poolex-warmtepomp heeft de volgende kenmerken:

- CE-certificaat en voldoet aan de Europese RoHS-richtlijn.
- Hoge prestaties met maximaal 80% energiebesparing vergeleken met een conventioneel verwarmingssysteem.
- Schone, efficiënte en milieuvriendelijke R32-koelvloeistof.
- Betrouwbare en krachtige compressor van een bekend merk.
- Brede hydrofiele verdamper uit aluminium voor gebruik bij lage temperaturen.
- Gebruiksvriendelijk, intuïtief bedieningspaneel.
- Heavy-duty behuizing met anti-UV-behandeling en eenvoudig te onderhouden.
- Een geruisloos concept.

# 2. Beschrijving

## 2.3 Technische specificaties

		3 kW	4 kW	5 kW
Lucht <sup>(1)</sup> 26°C Water <sup>(2)</sup> 26°C	Verwarmingsvermogen (W)	2800	4 200	5 010
	Stroomverbruik (W)	580	810	990
	<b>COP (prestatiecoëfficiënt)</b>	<b>4,83</b>	<b>5,19</b>	<b>5,03</b>
Lucht <sup>(1)</sup> 15°C Water <sup>(2)</sup> 26°C	Verwarmingsvermogen (W)	2210	3 100	4 030
	Stroomverbruik (W)	540	760	1 000
	<b>COP (prestatiecoëfficiënt)</b>	<b>4,09</b>	<b>4,08</b>	<b>4,03</b>
Stroomvoorziening		220-240V ~ 50Hz		
Maximum vermogen (W)		930	1 200	1 500
Maximum stroom (A)		4,15	5,32	6,65
Bereik verwarmingstemperatuur		15°C ~ 40°C		
Werkbereik		8°C ~ 43°C		
Afmetingen L x B x H (mm)		385 x 400 x 280		
Gewicht (kg)		18	24	26
Verpakkingsafmetingen L x B x H (mm)		415 x 460 x 370		
Gewicht van verpakking (kg)		20	28	30
Geluidsdrukniveau bij 10 m (dBA) <sup>(3)</sup>		<32	<35	<36
Hydraulische aansluiting (mm)		PVC 32 / 38mm		
Warmtewisselaar		PVC-tank en titaan verwarmingsspiraal		
Min. waterdebiet (m <sup>3</sup> /u)		1,3	2	2,5
Type compressor		Roterend		
Koelvloeistof		R32		
Koelvloeistofinhoud (kg)		0,15	0,3	0,35
Aard-opwarmingsvermogen - GWP		675		
Equivalent CO2		0,10	0,203	0,337
Waterdichtheid IP		IPX4		
Drukverlies (mCE)		0,8		
Max. inhoud zwembad (m <sup>3</sup> ) <sup>(4)</sup>		≤21	≤28	≤35
Bedieningspaneel		Scherm met achtergrondverlichting		
Functie		Verwarming		

De technische specificaties van onze warmtepompen zijn uitsluitend gegeven voor informatiedoeleinden. Wij behouden ons het recht voor om zonder voorafgaande kennisgeving wijzigingen aan te brengen.

<sup>1</sup> Omgevingstemperatuur

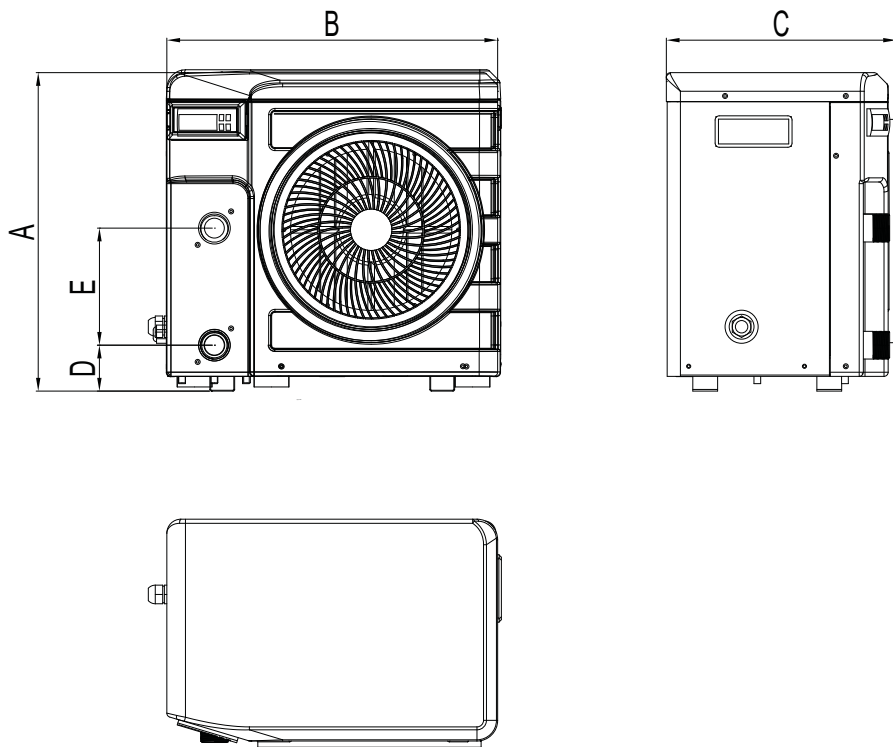
<sup>2</sup> Initiële watertemperatuur

<sup>3</sup> Geluidsniveau op 10 m afstand, conform de richtlijnen EN ISO 3741 en EN ISO 354

<sup>4</sup> Berekend voor een privézwembad in de grond, afgedekt met een noppenzeil.

# 2. Beschrijving

## 2.4 Afmetingen

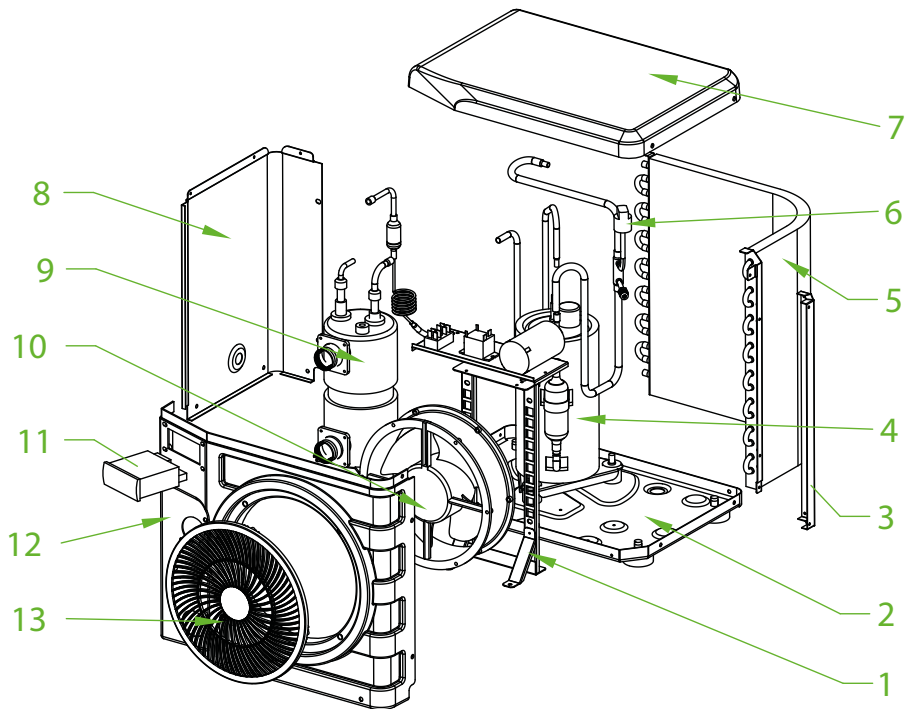


Afmetingen in mm

Nano Action 3 kW / 4 kW / 5 kW	
A	385
B	400
C	280
D	55
E	140

## 2. Beschrijving

### 2.5 Opengewerkte tekening



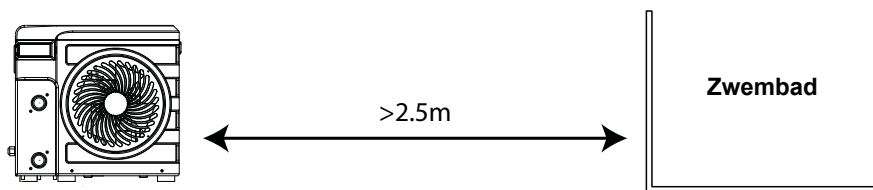
- |                    |                                 |
|--------------------|---------------------------------|
| 1. Ventilatorsteun | 9. Warmtewisselaar              |
| 2. Voetplaat       | 10. Ventilatormotor             |
| 3. houvast         | 11. Bedieningspaneel            |
| 4. Compressor      | 12. Voorpaneel                  |
| 5. Verdampfer      | 13. Beschermerooster ventilator |
| 6. drukschakelaar  |                                 |
| 7. Bovenpaneel     |                                 |
| 8. Linker paneel   |                                 |

# 3. Installatie

**De warmtepomp is zeer eenvoudig te installeren; stroomvoorziening en water is alles wat nodig is tijdens de installatie.**

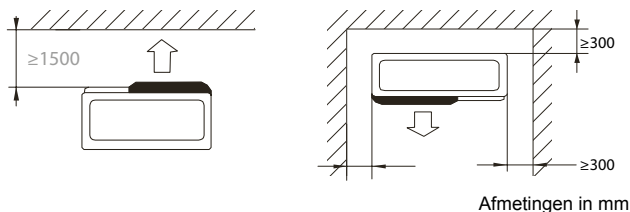
## 3.1 Locatie

De warmtepomp moet minimaal 2,5 meter van het zwembad verwijderd zijn.



**Houd u aan de volgende voorschriften voor uw keuze van de pomplocatie.**

1. De toekomstige locatie van de eenheid moet gemakkelijk bereikbaar zijn voor bediening en onderhoud.
2. De pomp moet op de grond worden geïnstalleerd, bij voorkeur plaatsen op een betonvloer. De vloer moet voldoende stabiel zijn en het gewicht van de installatie kunnen dragen.
3. Controleer of de eenheid goed geventileerd is, of de luchtuitlaatopening niet naar de ramen of naar aangrenzende gebouwen is gericht, en of de uitlaatlucht niet kan circuleren. Zorg bovendien voor voldoende ruimte rond de eenheid voor onderhoudswerkzaamheden.
4. De eenheid mag niet worden geïnstalleerd in een omgeving die is blootgesteld aan olie, brandbare gassen, corrosieve producten, zwavelverbindingen of dichtbij apparatuur met een hoge frequentie.
5. Installeer de eenheid niet dichtbij een weg of pad, om modderspatten te voorkomen.
6. Installeer de eenheid in de richting van een omgeving die het minst lawaaigevoelig is, om overlast voor burens te voorkomen.
7. Houd de eenheid zoveel mogelijk buiten het bereik van kinderen.



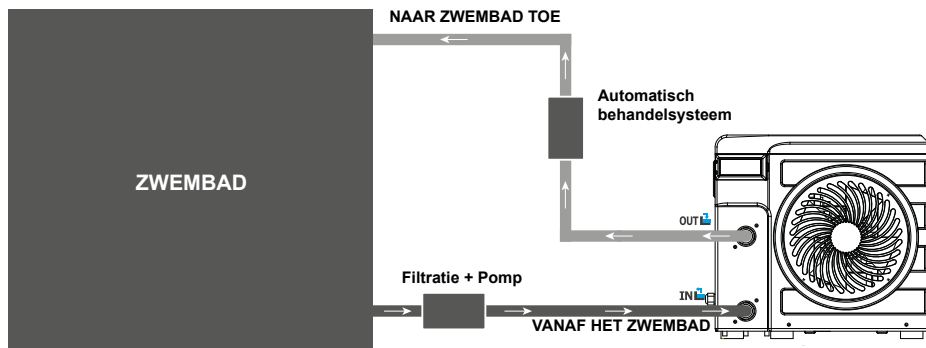
**Plaats niets binnen 1,50 meter vóór de warmtepomp.**

**Laat een vrije ruimte van 30 cm aan de zijkanten en achterzijde van de warmtepomp.**

**Laat geen obstakels toe boven of voor de eenheid!**

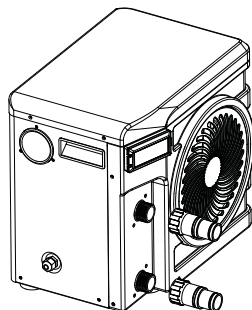
# 3. Installatie

## 3.2 Indeling van installatie

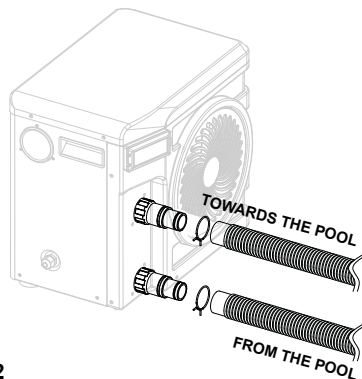


Het filter stroomopwaarts van de warmtepomp moet regelmatig worden gereinigd, zodat het water in het systeem schoon is en problemen in verband met een vervuild of verstopt filter worden voorkomen.

## 3.3 Hydraulische aansluiting



**Stap 1 :**  
Schroef de aansluitingen op de warmtepomp.

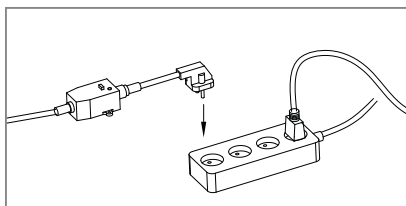


**Stap 2**  
Sluit de wateruitlaatpijp en de waterinlaatpijp aan.

## 3.4 Elektrische aansluiting

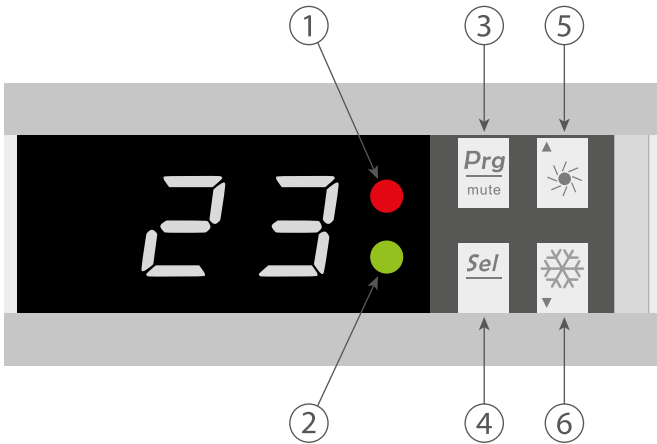
De stekker van de warmtepomp bevat een differentiële stroomonderbreker van 10 mA. Zorg voordat de warmtepomp wordt aangesloten dat de stekker geaard is.

De filterpomp moet tegelijk met de warmtepomp in werking zijn. Beide moeten daarom aangesloten zijn op hetzelfde elektrische circuit.



# 4. Gebruik

## 4.1 Bedieningspaneel



- 1. Power LED
- 2. Defrost LED

- 3. ON/OFF button
- 4. Select button


- 5. Up (+) button
- 6. Down (-) button

# 4. Gebruik

## 4.2 Verwarmingsbedrijf



**WAARSCHUWING:** Controleer alvorens te starten of de filterpomp goed functioneert.

**Stap 1 :** Druk op  om de pomp aan te zetten.

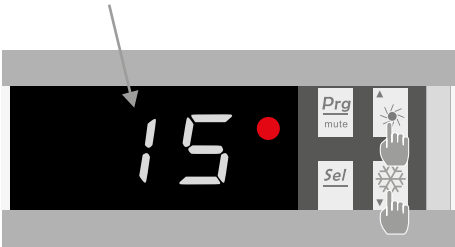
**Stap 2 :** Gebruik de knoppen  en  om de gewenste temperatuur in te stellen.

VOORBEELD:

De huidige temperatuur is 15°C, de ingestelde standaardtemperatuur is 27°, de gewenste temperatuur is 30°C.

*Huidige water-  
temperatuur*

*Gewenste  
temperatuur*



### Nuttige informatie over hoe de verwarmingsmodus werkt

Wanneer de inkomende watertemperatuur lager of gelijk is aan de gewenste temperatuur (setpoint-temperatuur) -X°C, gaat de warmtepomp over op de verwarmingsmodus. De compressor stopt wanneer de temperatuur van het inkomende water hoger of gelijk is aan de gewenste temperatuur (setpoint-temperatuur).

*Indicators voor instelbare X*

X : instelbare parameter van 1° tot 15°C, standaardinstelling is 3°C. (Parameter nr. 6)



# 4. Gebruik

## 4.3 Statuswaarden en geavanceerde instellingen

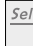


**WAARSCHUWING:** Deze handeling dient als hulp bij het onderhoud en toekomstige reparaties. De standaardinstellingen mogen slechts door een ervaren professional worden gewijzigd.

De instellingen van het systeem kunnen via de afstandsbediening worden gecontroleerd en aangepast, door deze stappen te volgen

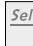
**Stap 1 :** Blijf drukken  totdat u de verificatiemodus voor de instellingen invoert.


**Stap 2 :** Druk op  en  om de parameters te zien.

**Stap 3 :** Druk op  om de instelling die u wilt aanpassen te selecteren.

*NB: sommige instellingen kunnen niet worden gewijzigd. Raadpleeg de tabel met instellingen voor meer informatie.*

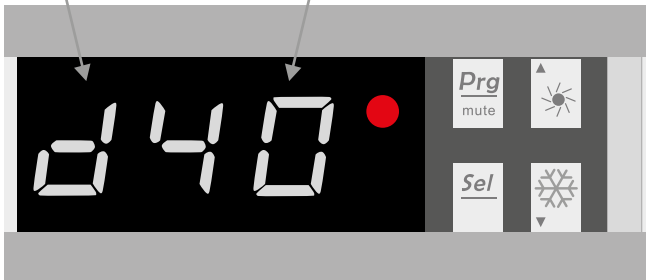
**Stap 4 :** Druk op  en  om de instelling aan te passen.

**Stap 5 :** Druk op  om de nieuwe waarde in te stellen.

**Stap 6 :** Druk op  om terug te gaan naar het hoofdscherm.

Parameter d

Value 40



# 4. Gebruik

Parametertabel

Nr.	Beschrijving	Instelbereik	Instelling af fabriek	Opmerkingen
A	Waterinlaattemperatuur	-19~99°C		Echte data
b	Wateruitlaattemperatuur	-19~99°C		Echte data
c	Omgevingstemperatuur	-19~99°C		Echte data
d	Standaardtemperatuur	15~40°C	27°C	Instelbaar
E	Automatische activeringstijd ontthooing	10~80 min	40 min	Instelbaar
F	Maximale duur ontthooing	10~40 min	30 min	Instelbaar
H	Aanpassing van temperatuurverschil voor herstarten	1~10°C	3°C	Instelbaar
J	Automatisch herstarten	0 = OFF 1 = ON	1	Instelbaar
O	Antivriesbescherming - lage luchttemperatuur	0~15°C	8°C	Instelbaar
P	Verdamper temperatuur om de ontthooimodus in te gaan	-19°C~0°C	-3°C	Verstelbaar
U	Verdamper temperatuur om de ontthooimodus te verlaten	1~30°C	20°C	Verstelbaar
t	Gereserveerd - niet wijzigen			Gereserveerd

# 5. Bediening

## 5.1 Bediening

### *Gebruiksvoorwaarden*


Om normaal te kunnen functioneren moet de omgevingstemperatuur voor de warmtepomp tussen 8°C en 43°C zijn.

### *Aanbevelingen vóór opstarten*

Voordat u de warmtepomp opstart moet u het volgende doen:

- ✓ Controleren of de eenheid stabiel is.
- ✓ Controleren of uw elektrische installatie goed functioneert.
- ✓ Controleren of de hydraulische aansluitingen goed vastzitten en of er geen sprake is van water-lekkage.
- ✓ Verwijder alle onnodige voorwerpen of gereedschappen rond de eenheid.

### *Bediening*

1. Sluit de stekker van de eenheid aan.
2. Activeer de circulatiepomp.
3. Activeer de beveiliging van de stroomtoevoer (verschilddrukschakelaar en stroomonderbreker).
4. Activeer de warmtepomp door één keer te drukken op .
5. Selecteer de gewenste temperatuur.
6. De compressor van de warmtepomp start kort daarna.

Vervolgens hoeft u slechts te wachten totdat de gewenste temperatuur is bereikt.



**WAARSCHUWING:** In normale omstandigheden kan de warmtepomp het water in een zwembad met 1°C tot 2°C per dag verwarmen. Het is daarom normaal om geen temperatuurverschil te kunnen voelen terwijl de warmtepomp in bedrijf is. Een verwarmd zwembad moet worden afgedekt om warmteverlies te voorkomen.

# 6. Onderhoud en service

## 6.1 Onderhoud, service en winteropslag



**WAARSCHUWING: Koppel de eenheid los van de stroomvoorziening voordat u onderhoudswerkzaamheden aan de eenheid uitvoert.**

### Reiniging

De behuizing van de warmtepomp moet met een vochtige doek worden gereinigd. Het gebruik van oplosmiddelen of andere huishoudelijke producten kan het oppervlak van de behuizing potentieel beschadigen en de eigenschappen ervan aantasten.

De verdampers aan de achterzijde van de warmtepomp moet zorgvuldig worden gereinigd met een stofzuiger waaraan een zachte borstel is bevestigd.

### Jaarlijks onderhoud

De volgende handelingen moet jaarlijks door een gekwalificeerde persoon worden verricht.

- ✓ Uitvoeren van veiligheidscontroles.
- ✓ De integriteit van de elektrische bedrading controleren.
- ✓ De aardaansluitingen controleren.
- ✓ De toestand van de manometer en de aanwezigheid van koelvloeistof controleren.

### Winteropslag

Uw warmtepomp is ontworpen voor gebruik in regenachtig weer en is bestand tegen vorst dankzij een speciaal ontworpen techniek tegen bevroering. Wij raden echter af om de pomp langdurig buiten te laten staan (bijv. de hele winter). Nadat het zwembad voor de winter is geleegd, moet de warmtepomp op een droge plaats worden opgeslagen.

# 7. Reparaties

**WAARSCHUWING:** In normale omstandigheden kan de warmtepomp het water in een zwembad met 1°C tot 2°C per dag verwarmen. Het is daarom normaal om geen temperatuurverschil te kunnen voelen terwijl de warmtepomp in bedrijf is. Een verwarmd zwembad moet worden afgedekt om warmteverlies te voorkomen.

## 7.1 Storingen en defecten

In het geval van een probleem geeft het scherm van de warmtepomp een foutcode weer in plaats van temperatuurindicaties. Raadpleeg de onderstaande tabel om te zoeken naar de oorzaken van de storing en correctiemaatregelen.

Code	Storing	Mogelijke oorzaken	Actie
P1	Waterinlaattemperatuursensor werkt niet	Sensor niet goed aangesloten	Sluit sensor opnieuw aan
		Sensor is defect	Vervang sensor
		Bedieningspaneel defect	Vervang bedieningspaneel
P3	Verdampertemperatuursensor werkt niet	Dezelfde oorzaken als onder P1	Dezelfde acties als onder P1
P5	Externe temperatuursensor werkt niet		
P7	Antivriesbescherming	Bescherming geactiveerd wegens te lage omgevingstemperatuur.	Geen interventie nodig
E6	Lagedrukbeveiliging	Onvoldoende koelvloeistof	Pas de hoeveelheid koelvloeistof aan
		Drukschakelaar niet aangesloten of defect	De drukschakelaar aansluiten of vervangen
		Bedieningspaneel defect	Vervang bedieningspaneel
	De warmtepomp werkt niet	Onvoldoende water in warmtewisselaar	Controleer werking van het watercircuit
		Bedieningspaneel defect	Vervang bedieningspaneel

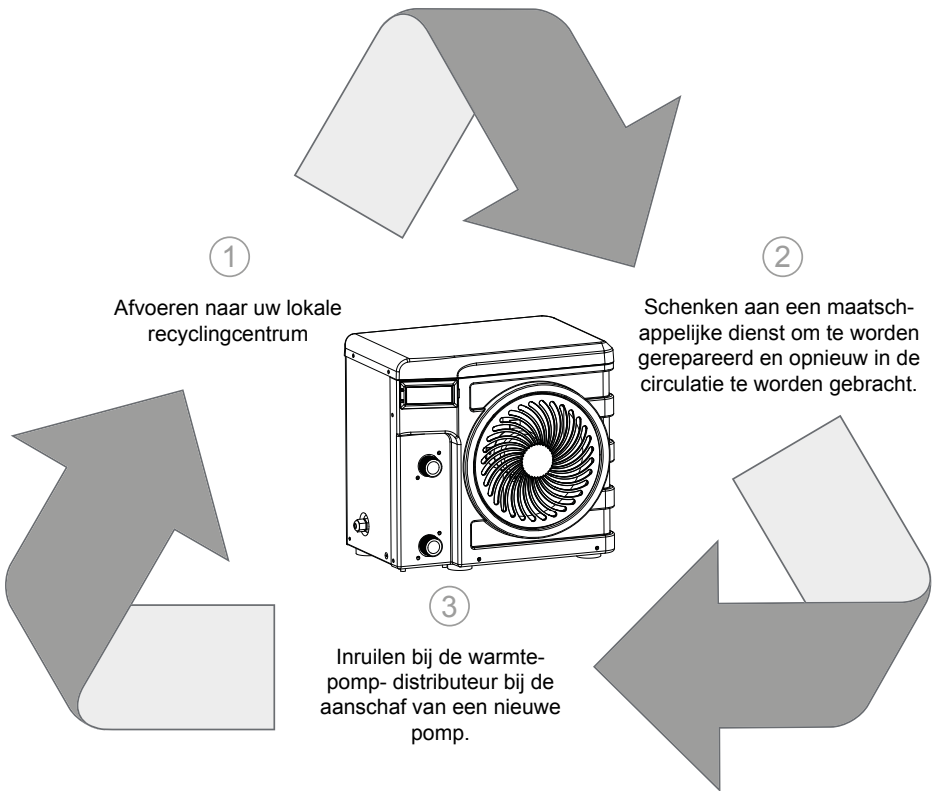
# 8. Recyclen

## 8.1 De warmtepomp recycelen

Uw warmtepomp heeft het einde van zijn levensduur bereikt en u wenst de pomp te verwijderen of te vervangen. Doe uw pomp niet bij het huishoudelijk afval.

Een warmtepomp moet afzonderlijk worden afgevoerd met het oog op hergebruik, recyclen of opwaar-deren. De pomp bevat stoffen die potentieel milieugevaarlijk zijn, maar die worden verwijderd of geneutraliseerd tijdens het recyclen.

**U HEEFT DRIE MOGELIJKE OPLOSSINGEN:**



# 9. Garantie

## 9.1 Algemene garantievoorwaarden

De Poolstar Company biedt de oorspronkelijke eigenaar op de Poolex Nano Action warmtepomp twee (2) jaar garantie tegen materiaalgebreken en fabricagefouten.

De compressor is gegarandeerd voor een periode van vijf (5) jaar.

De titaan buizenwarmtewisselaar heeft een garantie van tien (10) jaar tegen chemische corrosie, maar de garantie geldt niet in het geval van schade door bevrozing.

De overige onderdelen van de condensor zijn gegarandeerd voor een periode van twee (2) jaar.

De garantie gaat in op de datum van de eerste factuur.

De garantie is niet van toepassing in de volgende gevallen:

- Defect of schade als gevolg van installatie, gebruik of reparatie die niet in overeenstemming is met de veiligheidsinstructies.
- Defect of schade als gevolg van een chemisch middel dat ongeschikt is voor het zwembad.
- Defect of schade als gevolg van omstandigheden die niet overeenkomen met het bedoelde gebruik van de uitrusting.
- Schade als gevolg van nalatigheid, ongelukken of overmacht.
- Defect of schade als gevolg van het gebruik van ongeautoriseerde accessoires.

Reparaties tijdens de garantieperiode moeten worden goedgekeurd voordat deze door een bevoegde monteur worden uitgevoerd. De garantie komt te vervallen als de reparatie van de uitrusting wordt uitgevoerd door een persoon die niet door Poolstar wordt erkend.

De gegarandeerde onderdelen moeten naar het eigen oordeel van Poolstar worden vervangen of gerepareerd. Gedurende de garantieperiode moeten defecte onderdelen naar onze werkplaatsen worden geretourneerd. De garantie dekt geen arbeidskosten of ongeautoriseerde vervangingsonderdelen. De retourzending van het defecte onderdeel wordt niet door de garantie gedekt.

Geachte heer/mevrouw,

**Neem enkele minuten de tijd om de garantiekaart in te vullen die u kunt vinden op onze website:**

**<http://support.poolex.nl/>**

Dank u voor uw vertrouwen in onze producten.

We hopen dat u zult genieten van uw zwembad!

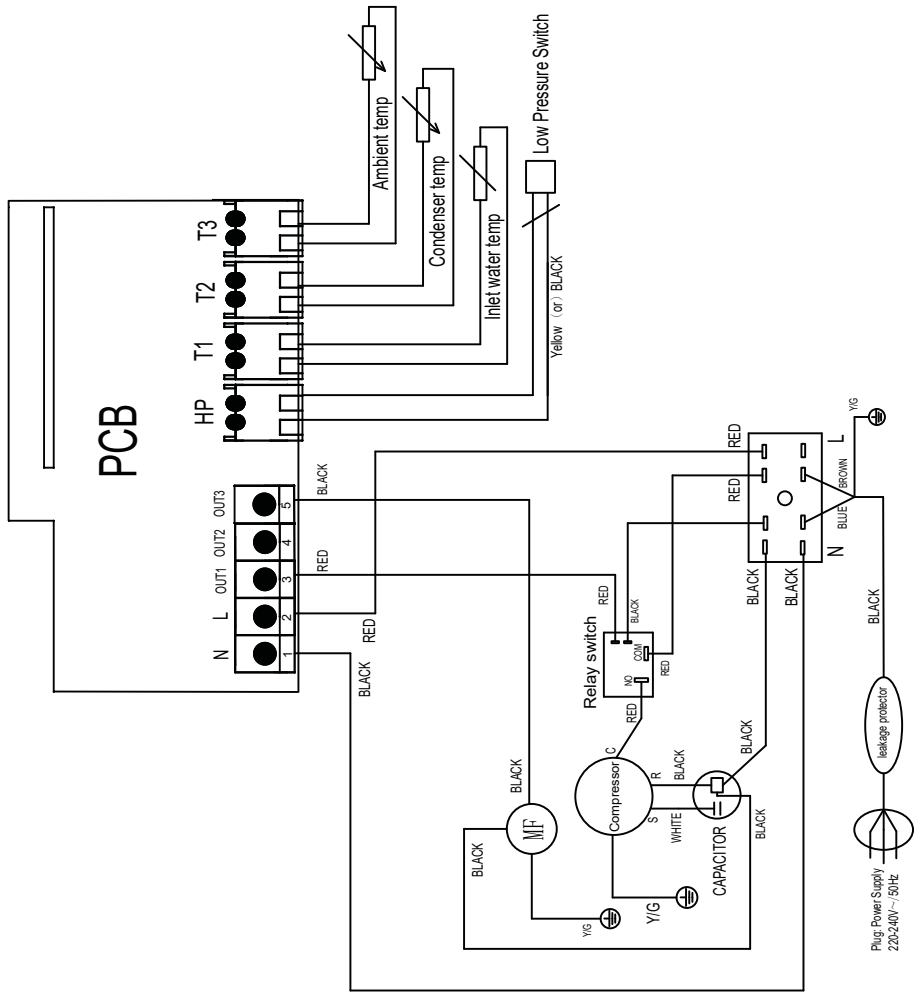
Uw gegevens zullen worden behandeld overeenkomstig met de Franse wet op de persoonsgegevens van 6 januari 1978 en worden niet aan derden doorgegeven.

### WAARSCHUWING:

**De contractuele garantie kan niet door de installateur of door Poolstar worden geverifieerd tenzij uw product op onze website is geregistreerd.**

# A. Bijlage

## A.1 Bedradingschema





# **POOLEX**

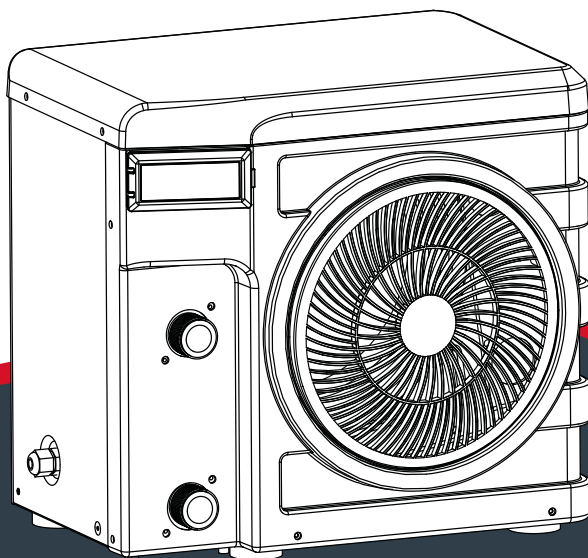





TECHNICAL ASSISTANCE  
TECHNISCHE HILFE  
TECHNISCHE ASSISTENTIE

**[www.poolex.fr](http://www.poolex.fr)**

# **POOLEX**

## **NANO ACTION**



-  Manuel d'installation et d'utilisation
-  Manual de usuario y instalación
-  Manuale d'installazione e d'uso

# Avertissements



**Cette pompe à chaleur contient un Gaz frigorigène R32 inflammable.**

**Toute intervention sur le circuit frigorigène est interdite sans une habilitation en cours de validité.**

Avant toute intervention sur le circuit frigorigène, les précautions suivantes sont nécessaires pour un travail en toute sécurité.

## **1. Procédure de travail**

Les travaux doivent être effectués selon une procédure contrôlée, de manière à minimiser les risques de présence de gaz ou de vapeurs inflammables pendant l'exécution des travaux.

## **2. Zone de travail générale**

L'ensemble des personnes se trouvant dans la zone doivent être informées de la nature des travaux en cours. Évitez d'intervenir dans une zone confinée. La zone autour de l'espace de travail doit être divisée, sécurisée et une attention particulière doit être portée aux sources de flamme ou de chaleur à proximité.

## **3. Vérification de la présence de réfrigérant**

La zone doit être vérifiée avec un détecteur de réfrigérant approprié avant et pendant le travail, afin de s'assurer de l'absence de gaz potentiellement inflammable. Assurez-vous que l'équipement de détection des fuites utilisé convient aux réfrigérants inflammables, c'est-à-dire qu'il ne produit pas d'étincelles, est correctement scellé ou présente une sécurité interne.

## **4. Présence d'extincteur**

Si des travaux à chaud doivent être effectués sur l'équipement de réfrigération ou sur toute pièce associée, un équipement d'extinction d'incendie approprié doit être disponible. Installez un extincteur à poudre sèche ou à CO<sub>2</sub> près de la zone de travail.

## **5. Aucune source de flamme, de chaleur ou d'étincelle**

Il est totalement interdit d'utiliser une source de chaleur, de flamme ou d'étincelle à proximité directe d'une ou plusieurs pièces ou tuyauteries contenant ou ayant contenu un réfrigérant inflammable. Toutes les sources d'étincelle, y compris le tabagisme, doivent être suffisamment éloignés du lieu d'installation, de réparation, d'enlèvement et de mise au rebut, au cours desquelles un réfrigérant inflammable peut éventuellement être rejeté dans l'espace environnant. Avant le début des travaux, il convient de contrôler l'environnement du matériel afin de s'assurer qu'il n'y a aucun risque d'inflammabilité. Les panneaux «Interdiction de fumer» doivent être affichés.

## **6. Zone ventilée**

Assurez-vous que la zone est à l'air libre ou qu'elle est correctement ventilée avant d'intervenir dans le système ou d'effectuer des travaux à chaud. Une certaine ventilation doit être maintenue pendant la durée des travaux.

## **7. Contrôles des équipements de réfrigération**

Lorsque des composants électriques sont remplacés, ils doivent être adaptés à l'usage prévu et aux spécifications appropriées. Seules les pièces du fabricant peuvent être utilisées. En cas de doute, consultez le service technique du fabricant.

Les contrôles suivants doivent être appliqués aux installations utilisant des réfrigérants inflammables:

– La taille de la charge est conforme à la taille de la pièce dans laquelle les pièces contenant le réfrigérant sont installées;

– Les ventilations et les bouches d'aération fonctionnent correctement et ne sont pas obstruées;

– Si un circuit de réfrigération indirect est utilisé, le circuit secondaire doit être vérifié également.

– Le marquage sur l'équipement reste visible et lisible. Les marques et signes illisibles doivent être corrigés;

– Les tuyaux ou composants de réfrigération sont installés dans une position où ils ne risquent pas d'être exposés à une substance susceptible de corroder les composants contenant du fluide frigorigène

## **8. Vérifications des appareils électriques**

La réparation et la maintenance des composants électriques doivent inclure les contrôles de sécurité initiaux et les procédures d'inspection des composants. S'il existe un défaut susceptible de compromettre la sécurité, aucune alimentation électrique ne doit être connectée au circuit jusqu'à ce que le problème soit résolu.

## **9. Les contrôles de sécurité initiaux doivent inclure:**

• Que les condensateurs soient déchargés: ceci doit être fait de manière sûre pour éviter la possibilité d'étincelles;

• Qu'aucun composant électrique ni câblage ne sont exposés lors du chargement, de la récupération ou de la purge du système de gaz réfrigérant;

• Qu'il existe une continuité de la mise à la terre.

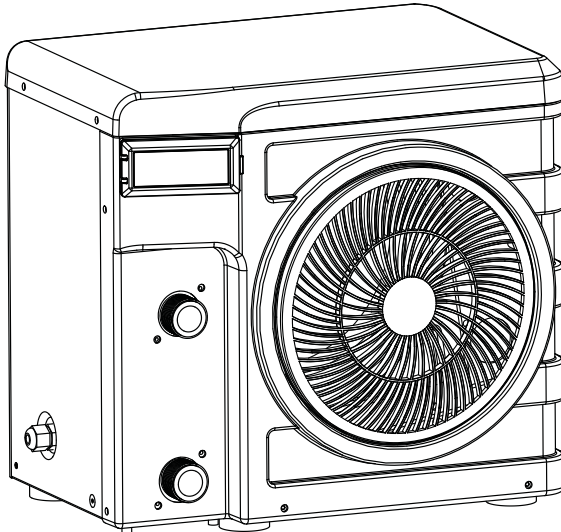
# Remerciements

*Cher client,*

*Nous vous remercions pour votre achat et pour la confiance que vous accordez à nos produits.*

*Nos produits sont le résultat d'années de recherche dans le domaine de la conception et de la production de pompe à chaleur pour piscine. Notre ambition, vous fournir un produit de qualité aux performances hors normes.*

*Nous avons réalisé ce manuel avec le plus grand soin afin que vous puissiez tirer le meilleur de votre pompe à chaleur Poolex.*





# À LIRE ATTENTIVEMENT



**Ces instructions d'installation font partie intégrante du produit.  
Elles doivent être remises à l'installateur et conservées par l'utilisateur.**

**En cas de perte du manuel, veuillez vous référer au site :**

**[www.poolex.fr](http://www.poolex.fr)**

Les indications et avertissements contenus dans le présent manuel doivent être lus avec attention et compris car ils fournissent d'importantes informations concernant la manipulation et le fonctionnement de la pompe à chaleur en toute sécurité. **Conservez ce manuel dans un endroit accessible afin de faciliter les futures consultations.**

**L'installation doit être effectuée par un professionnel qualifié** conformément aux réglementations en vigueur et aux instructions du fabricant. Une erreur d'installation peut entraîner des blessures physiques aux personnes ou aux animaux ainsi que des dommages mécaniques pour lesquels le fabricant ne peut en aucun cas être tenu responsable.

**Après avoir déballé la pompe à chaleur, veuillez vérifier le contenu afin de signaler tout dommage éventuel.**

Avant de brancher la pompe à chaleur, assurez-vous que les données fournies par ce manuel sont compatibles avec les conditions d'installation réelles et ne dépassent pas les limites maximales autorisées pour le produit en question.

**En cas de défaut et/ou de dysfonctionnement de la pompe à chaleur, l'alimentation électrique doit être coupée** et aucune tentative de réparation de la panne ne doit être entreprise. Les travaux de réparation ne doivent être effectués que par un service d'assistance technique agréé en utilisant des pièces détachées originales. Le non-respect des clauses précitées peut avoir une influence négative sur le fonctionnement en toute sécurité de la pompe à chaleur.

Pour garantir l'efficacité et le bon fonctionnement de la pompe à chaleur, il est important de veiller à ce qu'elle soit régulièrement entretenue conformément aux instructions fournies.

Dans le cas où la pompe à chaleur est vendue ou cédée, veuillez toujours à ce que toute la documentation technique soit transmise avec le matériel au nouveau propriétaire.

Cette pompe à chaleur est exclusivement conçue pour chauffer une piscine. Toutes les autres utilisations doivent être considérées comme inappropriées, incorrectes, voire dangereuses.

Toutes les responsabilités contractuelles ou extra contractuelles du fabriquant / distributeur seront considérées comme nulles et non avenues pour les dommages causés par des erreurs d'installation ou de fonctionnement, ou pour cause de non-respect des instructions fournies par ce manuel ou des normes d'installation en vigueur pour l'équipement, objet du présent document.

# Sommaire

FR

<b>1. Généralité</b> .....	<b>4</b>
1.1 Conditions générales de livraison .....	4
1.2 Consignes de sécurité .....	4
1.3 Traitement des eaux .....	5
<b>2. Description</b> .....	<b>6</b>
2.1 Contenu du colis .....	6
2.2 Caractéristiques générales .....	6
2.3 Caractéristiques techniques .....	7
2.4 Dimensions de l'appareil .....	8
2.5 Vue éclatée .....	9
<b>3. Installation</b> .....	<b>10</b>
3.1 Emplacement .....	10
3.2 Schéma classique d'installation .....	11
3.3 Raccordement hydraulique .....	11
3.4 Raccordement électrique .....	11
<b>4. Utilisation</b> .....	<b>12</b>
4.1 Panneau de contrôle .....	12
4.2 Mode Chauffage .....	13
4.3 Valeurs d'état et paramètres avancées .....	14
<b>5. Mise en service</b> .....	<b>16</b>
5.1 Mise en service .....	16
<b>6. Maintenance et entretien</b> .....	<b>17</b>
6.1 Maintenance, entretien et hivernage .....	17
<b>7. Dépannage</b> .....	<b>18</b>
7.1 Pannes et anomalies .....	18
<b>8. Recyclage</b> .....	<b>19</b>
8.1 Recyclage de la pompe à chaleur .....	19
<b>9. Garantie</b> .....	<b>20</b>
9.1 Conditions générales de garantie .....	20
<b>A. Annexes</b> .....	<b>A</b>
A.1 Schémas de câblage de la carte électronique .....	A

# 1. Généralité

## 1.1 Conditions générales de livraison

Tout matériel, même franco de port et d'emballage, voyage aux risques et périls de son destinataire.

La personne chargée de la réception de l'appareil doit effectuer un contrôle visuel pour constater tout dommage éventuel subi par la pompe à chaleur durant le transport (circuit frigorifique, carrosserie, armoire électrique, châssis). Celui-ci doit faire des réserves écrites sur le bordereau de livraison du transporteur s'il constate des dommages provoqués au cours du transport et les confirmer sous 48 heures par courrier recommandé au transporteur.



L'appareil doit toujours être stocké et transporté en position verticale sur une palette et dans l'emballage d'origine. Si l'appareil est entreposé ou transporté en position horizontale, attendez au moins 24 heures avant de le brancher.

## 1.2 Consignes de sécurité



**ATTENTION : Veuillez lire attentivement les consignes de sécurité avant d'utiliser l'appareil. Les consignes indiquées ci-après étant essentielles pour la sécurité, veuillez les respecter rigoureusement.**

### *Lors de l'installation et de l'entretien*

Seule une personne qualifiée peut prendre en main l'installation, la mise en marche, l'entretien et le dépannage, conformément au respect des normes actuelles.

Avant toutes interventions sur l'appareil (installation, mise en service, utilisation, entretien), la personne chargée de ces interventions devra connaître toutes les instructions présentées dans la notice d'installation de la pompe à chaleur ainsi que les éléments techniques du dossier.

N'installez en aucun cas l'appareil à proximité d'une source de chaleur, de matériaux combustibles, ou d'une bouche de reprise d'air de bâtiment.

Si l'installation n'est pas située dans un lieu avec accès réglementé, la grille de protection pour pompe à chaleur est obligatoire.

Ne pas marcher sur la tuyauterie pendant l'installation, le dépannage et la maintenance, sous peine de graves brûlures.

Avant toute intervention sur le circuit frigorifique, arrêter la pompe à chaleur et attendre quelques minutes avant la pose de capteurs de température ou de pressions, sous peine de graves brûlures.

Contrôler le niveau du fluide frigorigène lors de l'entretien de la pompe à chaleur.

Vérifier que les pressostats haute et basse pression sont raccordés correctement sur le circuit frigorifique et qu'ils coupent le circuit électrique en cas de déclenchement, durant le contrôle annuel d'étanchéité de l'appareil.

Vérifier qu'il n'y a pas de trace de corrosion ou de tache d'huile autour des composants frigorigènes.

# 1. Généralité

## *Lors de l'utilisation*

Ne jamais toucher au ventilateur en état de marche sous peine de graves blessures.

Ne pas laisser la pompe à chaleur à la portée des enfants, sous peine de graves blessures causées par les ailettes de l'échangeur de chaleur.

Ne jamais mettre l'unité en état de marche en l'absence d'eau dans la piscine ou si la pompe de circulation est à l'arrêt.

Vérifier le débit d'eau tous les mois et nettoyer le filtre si nécessaire.

## *Lors du nettoyage*

Couper l'alimentation électrique de l'appareil.

Fermer les vannes d'arrivée et de sortie d'eau.

Ne rien introduire dans les bouches d'entrée et de sortie d'air ou d'eau.

Ne pas rincer l'appareil à grande eau.

## *Lors du dépannage*

Réaliser les interventions sur le circuit frigorifique selon les règles de sécurité en vigueur.

Faire réaliser l'intervention de brasage par un soudeur qualifié.

En cas de remplacement d'un composant frigorifique défectueux, utiliser uniquement des pièces certifiées par notre centre technique.

En cas de remplacement de tuyauterie, seul les tubes en cuivre conformes à la norme NF EN12735-1 peuvent être utilisés pour le dépannage.

Pour détecter les fuites, lors des tests sous pression :

Ne jamais utiliser d'oxygène ou air sec, risques d'incendie ou d'explosion.

Utiliser de l'azote déshydratée ou un mélange d'azote et de réfrigérant.

La pression du test coté basse et haute pression ne doit pas excéder 42 bars.

## 1.3 Traitement des eaux

Les pompes à chaleur pour piscines Poolex peuvent être utilisées avec tous types de traitement de l'eau.

Cependant, il est impératif que le système de traitement (pompes doseuses Cl, pH, Br et/ou électrolyseur) soit installé après la pompe à chaleur dans le circuit hydraulique.

**Pour éviter toute détérioration de la pompe à chaleur, le pH de l'eau doit être maintenu entre 6,9 et 8,0.**



# 2. Description

## 2.1 Contenu du colis

- ✓ La pompe à chaleur Poolex Nano Action R32
- ✓ 2 raccords hydrauliques entrée / sortie de 32/38mm de diamètre
- ✓ Ce manuel d'installation et d'utilisation
- ✓ **4 Patins anti-vibrations**

## 2.2 Caractéristiques générales

Une pompe à chaleur Poolex c'est avant tout :

- Un dispositif certifié CE et conforme à la directive européenne RoHS.
- Un haut rendement permettant d'économiser jusqu'à 80% d'énergie par rapport à un système de chauffage classique.
- Un fluide frigorigène écologique R32 propre et efficace.
- Un compresseur de grande marque, fiable et performant.
- Un large évaporateur en aluminium hydrophile pour une utilisation à basse température.
- Un panneau de commande intuitif, facile d'utilisation.
- Un boîtier ultra résistante, traitée anti-UV et facile à entretenir.
- Une conception silencieuse.

## 2. Description

### 2.3 Caractéristiques techniques

FR

		3 kW	4kW	5kW
Air <sup>(1)</sup> 26°C Eau <sup>(2)</sup> 26°C	Puissance de chauffage (W)	3 010	4 200	5 010
	Consommation (W)	540	760	910
	<b>COP (Coeff. de performance)</b>	<b>5,61</b>	<b>5,50</b>	<b>5,50</b>
Air <sup>(1)</sup> 15°C Eau <sup>(2)</sup> 26°C	Puissance de chauffage (W)	2 210	3 100	4 030
	Consommation (W)	540	760	1 000
	<b>COP (Coeff. de performance)</b>	<b>4,09</b>	<b>4,08</b>	<b>4,03</b>
Alimentation	220-240V ~ 50Hz			
Puissance maximale (W)	930	1 200	1 500	
Courant maximal (A)	4,15	5,32	6,65	
Plage de température de chauffage	15°C ~ 40°C			
Plage de fonctionnement	8°C ~ 43°C			
Dimensions de l'appareil L×P×H (mm)	385 x 400 x 280			
Poids de l'appareil (kg)	18	24	26	
Dimensions du packaging L×P×H (mm)	415 x 460 x 370			
Poids du packaging (kg)	20	28	30	
Niveau de pression sonore à 10m (dBA) <sup>(3)</sup>	<32	<35	<36	
Raccordement hydraulique (mm)	PVC 32 / 38mm			
Échangeur de chaleur	Cuve PVC et Serpentin Titane			
Débit d'eau min. (m <sup>3</sup> /h)	1,3	2	2,5	
Type de compresseur	Rotatif			
Réfrigérant	R32			
GWP	675			
Réfrigérant chargée (kg)	0,15	0,3	0,35	
Équivalent CO2	0,10	0,203	0,337	
Indice d'étanchéité	IPX4			
Perte de charge (mCE)	0,8			
Volume max. de la piscine (m <sup>3</sup> ) <sup>(4)</sup>	≤21	≤28	≤35	
Panneau de contrôle	Écran de contrôle rétro-éclairé			
Mode	Chauffage			

Les caractéristiques techniques de nos pompes à chaleur sont données à titre indicatif, nous nous réservons le droit de modifier ces données sans préavis.

<sup>1</sup> Température ambiante de l'air

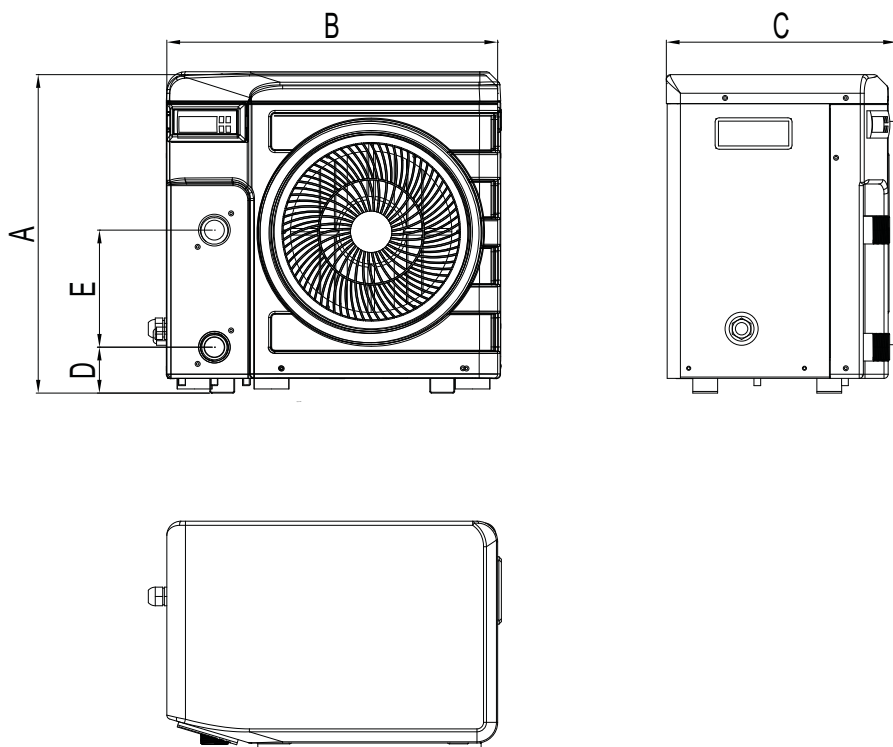
<sup>2</sup> Température initiale de l'eau

<sup>3</sup> Bruit à 10 m selon les directives EN ISO 3741 et EN ISO 354

<sup>4</sup> Calculé pour une piscine privée recouverte d'une bâche à bulle.

## 2. Description

### 2.4 Dimensions de l'appareil



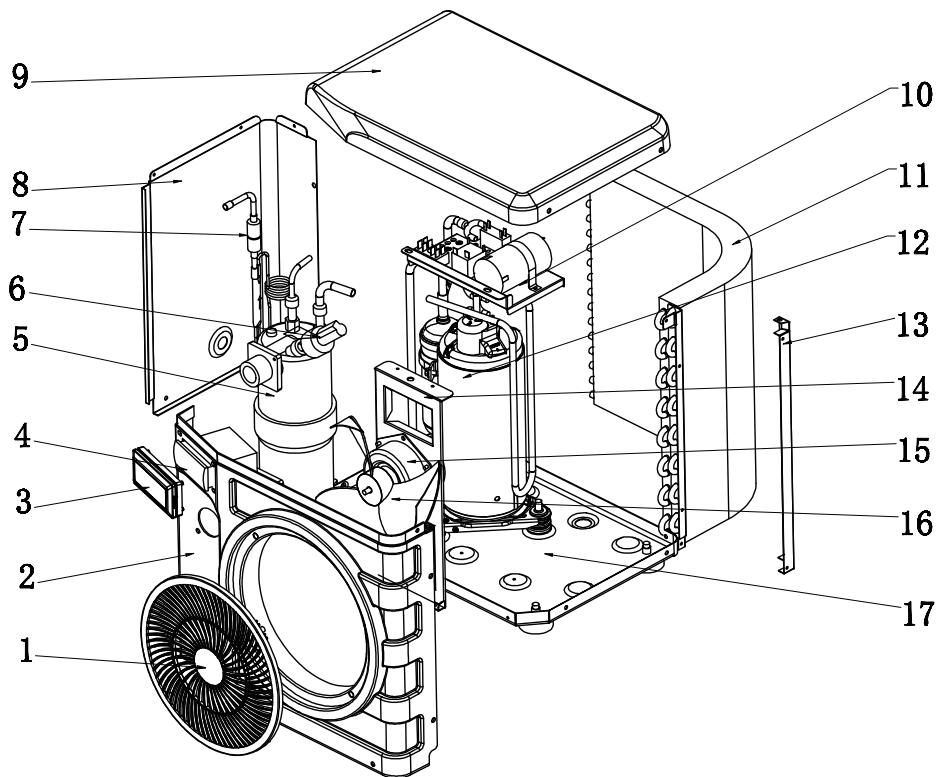
Dimensions en mm

Nano Action 3 kW / 4 kW / 5kW	
A	385
B	400
C	280
D	52
E	140

## 2. Description

### 2.5 Vue éclatée

FR



1. Grille de protection ventilateur
2. Panneau avant
3. Panneau de contrôle
4. Panneau de contrôle
5. Échangeur de chaleur
6. Capteur de débit
7. Détendeur
8. Panneau gauche
9. Panneau supérieur

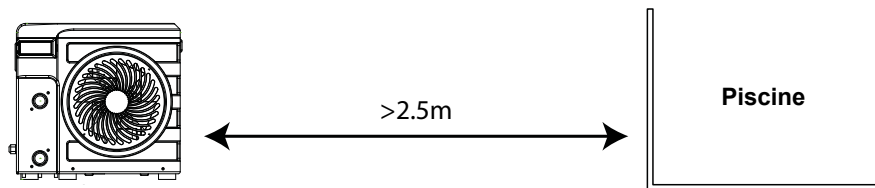
10. Boîtier de commande électrique
11. Évaporateur
12. Compresseur
13. Cadre de montage
14. Support du ventilateur
15. Moteur du ventilateur
16. Hélice du ventilateur
17. Châssis

# 3. Installation

**La pompe à chaleur est très facile à installer, et ne nécessite que le raccord au circuit hydraulique et une alimentation électrique.**

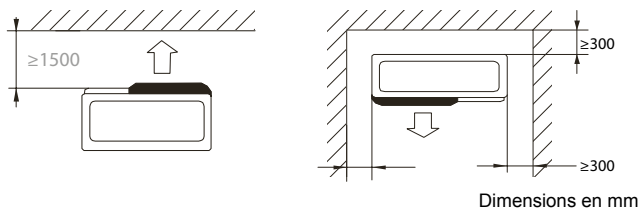
## 3.1 Emplacement

La pompe à chaleur doit être placée à au moins 2,5 mètres du bassin.



**Veillez respecter les règles suivantes pour le choix de l'emplacement de la pompe à chaleur**

1. Le futur emplacement de l'appareil doit être facile d'accès pour une utilisation et une maintenance aisée.
2. L'appareil doit être installé au sol, idéalement posé sur un plancher béton de niveau. Assurez-vous que le plancher soit suffisamment stable et qu'il puisse supporter le poids de l'appareil.
3. Vérifiez que l'appareil est correctement aéré, que la bouche de sortie d'air n'est pas orientée vers les fenêtres d'immeubles voisins et qu'aucun retour de l'air vicié n'est possible. De plus, prévoyez un espace suffisant autour de l'appareil pour les opérations d'entretien et de maintenance.
4. L'appareil ne doit pas être installé dans un endroit exposé à l'huile, à des gaz inflammables, des produits corrosifs, des composés sulfureux ou à proximité d'équipements haute fréquence.
5. N'installez pas l'appareil à proximité d'une route ou d'un chemin pour éviter les éclaboussures de boue.
6. Pour prévenir les nuisances de voisinage, veillez à installer l'appareil de sorte qu'il soit orienté vers la zone la moins sensible au bruit.
7. Conservez, autant que possible, l'appareil hors de portée des enfants.



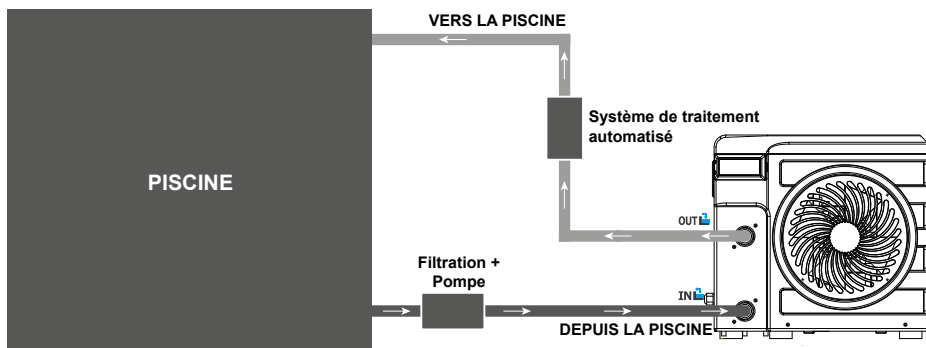
**Ne rien mettre à moins de 1,50 m devant la pompe à chaleur.**

**Laissez au moins 30 cm d'espace vide sur les côtés et à l'arrière de la pompe à chaleur.**

**Ne laissez aucun obstacle au-dessus ou devant l'appareil !**

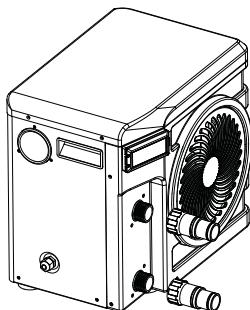
# 3. Installation

## 3.2 Schéma d'installation



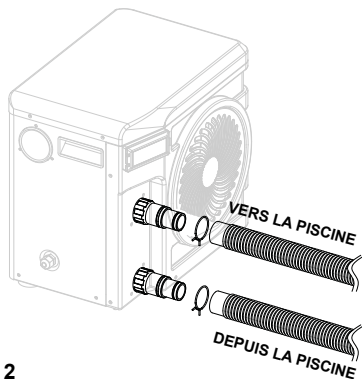
Le filtre situé en amont de la pompe à chaleur doit être nettoyé régulièrement pour que l'eau du circuit soit propre et ainsi éviter les problèmes de fonctionnement liés à la saleté ou au colmatage du filtre.

## 3.3 Raccordement hydraulique



### Étape 1

Visser les raccords sur la pompe à chaleur



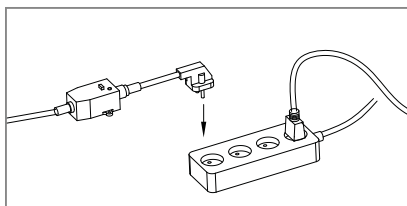
### Étape 2

Raccorder les tuyaux d'entrée et sortie d'eau

## 3.4 Raccordement électrique

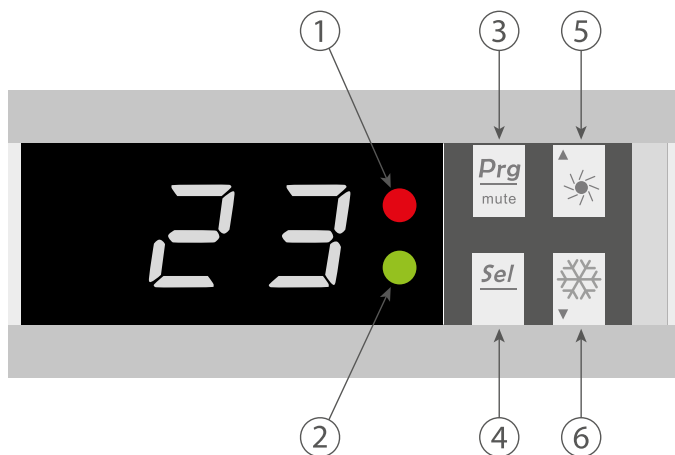
La prise électrique de la pompe à chaleur intègre un disjoncteur différentiel de 10mA. Avant de brancher votre pompe à chaleur, assurez-vous que la prise électrique est bien raccordée à la terre.

La pompe de filtration doit fonctionner en même temps que la pompe à chaleur. Par conséquent, connectez-les au même circuit électrique.



# 4. Utilisation

## 4.1 Panneau de contrôle



- 1. Voyant ON/OFF
- 2. Voyant dégivrage

- 3. ON/OFF
- 4. Selection


- 5. Haut (+)
- 6. Bas (-)

# 4. Utilisation

## 4.2 Mode Chauffage



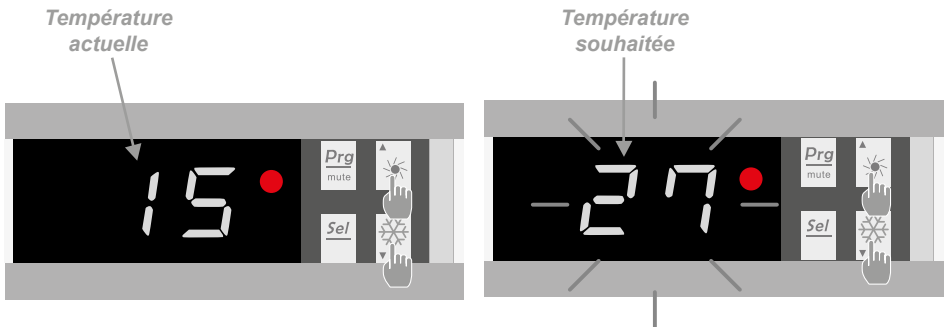
**ATTENTION :** Avant de commencer, assurez-vous que la pompe de filtration fonctionne correctement.

**Étape 1 :** Appuyez sur  pour mettre votre pompe en marche.

**Étape 2 :** À l'aide des touches  et  sélectionnez la température souhaitée.

EXEMPLE :

Si la température actuelle est de 15°C, la valeur par défaut est de 27° et la température souhaitée est 30°C.



### Bon à savoir sur le fonctionnement du mode chauffage

Lorsque la température de l'eau entrante est inférieure ou égale à la température demandée (temp. de consigne) -X°C, la pompe à chaleur se mettra en mode chauffage. Le compresseur s'arrêtera lorsque la température de l'eau entrante sera supérieure ou égale à la température demandée (temp. de consigne).

**Indications pour plage de réglage X**

X : paramètre ajustable de 1° à 15°C, réglage par défaut est 3°C. (Paramètre N°6)




# 4. Utilisation

## 4.3 Valeurs d'état et paramètres avancés




**ATTENTION** : Cette opération sert à faciliter l'entretien et les réparations futures.  
Seul un professionnel expérimenté est habilité à modifier les paramètres par défaut.

Les paramètres du système peuvent être vérifiés et ajustés au moyen de la télécommande en suivant les étapes suivantes


**Étape 1** : Restez appuyé sur  jusqu'à entrer en mode de vérification des paramètres.

**Étape 2** : Appuyez sur  et  pour voir les paramètres.

**Étape 3** : Appuyez sur  pour sélectionner le paramètre à modifier.

Attention, certains paramètres ne peuvent pas être modifiés, consultez la table des paramètres pour plus d'informations.

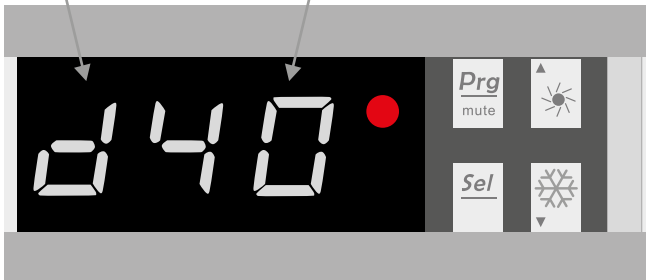
**Étape 4** : Appuyez sur  et  pour ajuster la valeur du paramètre.

**Étape 5** : Appuyez sur  pour enregistrer la nouvelle valeur.

**Étape 6** : Appuyez sur  pour revenir à l'écran principal.

Paramètre d

Valeur 40



# 4. Utilisation

## Parameters table

N°	Description	Plage de réglage	Paramètre usine	Commentaire
A	Température d'entrée d'eau	-19~99°C		Données réelles
b	Température de sortie d'eau	-19~99°C		Données réelles
c	Température de l'air ambiant	-19~99°C		Données réelles
d	Température par défaut	15~40°C	27°C	Réglable
E	Temps d'auto-activation du dégivrage	10~80 min	40 min	Réglable
F	Durée maximale du dégivrage	10~40 min	30 min	Réglable
H	Réglage de l'écart de température pour redémarrage	1~10°C	3°C	Réglable
J	Redémarrage automatique	0 = OFF 1 = ON	1	Réglable
O	Protection antigel - basse température de l'air	0~15°C	8°C	Ajustable
P	Température de l'évaporateur pour activation du dégivrage	-19°C~0°C	-3°C	Ajustable
U	Température de l'évaporateur pour arrêt du dégivrage	1~30°C	20°C	Ajustable
t	Reserved - do not modify			Reserved

# 5. Mise en service

## 5.1 Mise en service

### Conditions d'utilisation


Pour que la pompe à chaleur fonctionne normalement, la température ambiante de l'air doit être comprise entre 8°C et 43°C.

### Consignes préalables

Avant la mise en service de la pompe à chaleur, veuillez :

- ✓ Vérifiez que l'appareil est stable.
- ✓ Contrôlez le bon fonctionnement de votre installation électrique.
- ✓ Vérifiez que les raccords hydrauliques sont correctement serrés, et qu'il n'y ait pas de fuite d'eau.
- ✓ Retirez tout objet inutile ou outil autour de l'appareil.

### Mise en service

1. Branchez la prise électrique de l'appareil.
2. Activer la pompe de filtration.
3. Enclenchez la protection d'alimentation électrique de l'appareil (interrupteur différentiel situé sur le câble d'alimentation).
4. Activez la pompe à chaleur en appuyant une fois sur .
5. Sélectionnez la température souhaitée en utilisant l'un des modes de la télécommande (chapitre 4.2).
6. Le compresseur de la pompe à chaleur s'activera au bout de quelques instants.

Voilà il ne reste plus qu'à attendre que la température souhaitée soit atteinte.



**ATTENTION** : Dans des conditions normales, une pompe à chaleur adaptée permet de réchauffer l'eau du bassin de 1°C à 2°C par jour. Il est donc tout a fait normal de ne pas ressentir une différence de température en sortie de circuit lorsque la pompe à chaleur fonctionne.

**Un bassin chauffé doit être couvert pour éviter toute déperdition de chaleur.**

# 6. Maintenance et entretien

## 6.1 Maintenance, entretien et hivernage

FR



**ATTENTION : Avant d'entreprendre des travaux de maintenance sur l'appareil, assurez-vous d'avoir coupé l'alimentation électrique.**

### Nettoyage

Le boîtier de la pompe à chaleur doit être nettoyé avec un chiffon humide. L'utilisation de détergents ou d'autres produits ménagers pourraient dégrader la surface du boîtier et en altérer ses propriétés.

L'évaporateur à l'arrière de la pompe à chaleur peut être nettoyé avec précautions à l'aide d'un aspirateur à brosse souple.

### Maintenance annuelle

Les opérations suivantes doivent être exécutées par une personne qualifiée au moins une fois par an.

- ✓ Effectuer les contrôles de sécurité.
- ✓ Vérifier la bonne tenue des câbles électriques.
- ✓ Vérifier le raccordement des masses à la terre.
- ✓ Contrôler l'état du manomètre et la présence de fluide frigorigène

### Hivernage

Votre pompe à chaleur est conçue pour fonctionner par tous temps. Cependant, il n'est pas recommandé de la laisser dehors pendant de longues périodes (par exemple pendant l'hiver). Après avoir vidé la piscine pour l'hiver, démontez la pompe à chaleur et rangez la dans un endroit propre et sec.

# 7. Dépannage



**ATTENTION** : Dans des conditions normales, une pompe à chaleur adaptée permet de réchauffer l'eau du bassin de 1°C à 2°C par jour. Il est donc tout a fait normal de ne pas ressentir une différence de température en sortie de circuit lorsque la pompe à chaleur fonctionne.

Un bassin chauffé doit être couvert pour éviter toute déperdition de chaleur.

## 7.1 Pannes et anomalies

En cas de problème, l'écran de la pompe à chaleur affiche un code d'anomalie à la place des indications de température. Veuillez vous référer au tableau ci-dessous pour trouver les causes possibles d'une anomalie et les actions à prévoir.

Code	Erreur	Causes possible	Action
P1	Dysfonctionnement du capteur de température d'eau d'entrée	Le capteur est mal branché	Rebranchez le capteur
		Le capteur est défectueux	Remplacez le capteur
		Boîtier de commande défectueux	Remplacez le boîtier de commande
P3	Dysfonctionnement du capteur de température de l'évaporateur	Mêmes causes que P1	Mêmes actions que P1
P5	Dysfonctionnement du capteur de température extérieure		
P7	Protection antigel	La protection s'enclenche lorsque la température ambiante est trop basse.	Aucune intervention n'est nécessaire
E3	Dysfonctionnement détecteur de débit	Pas assez d'eau dans l'échangeur	Vérifiez le fonctionnement de votre circuit d'eau
		Détecteur de débit d'eau défectueux	Remplacez le contacteur de débit d'eau
		Boîtier de commande défectueux	Remplacez le boîtier de commande
	La pompe à chaleur ne fonctionne pas	Pas assez d'eau dans l'échangeur	Vérifiez le fonctionnement de votre circuit d'eau
		Boîtier de commande défectueux	Remplacez le boîtier de commande

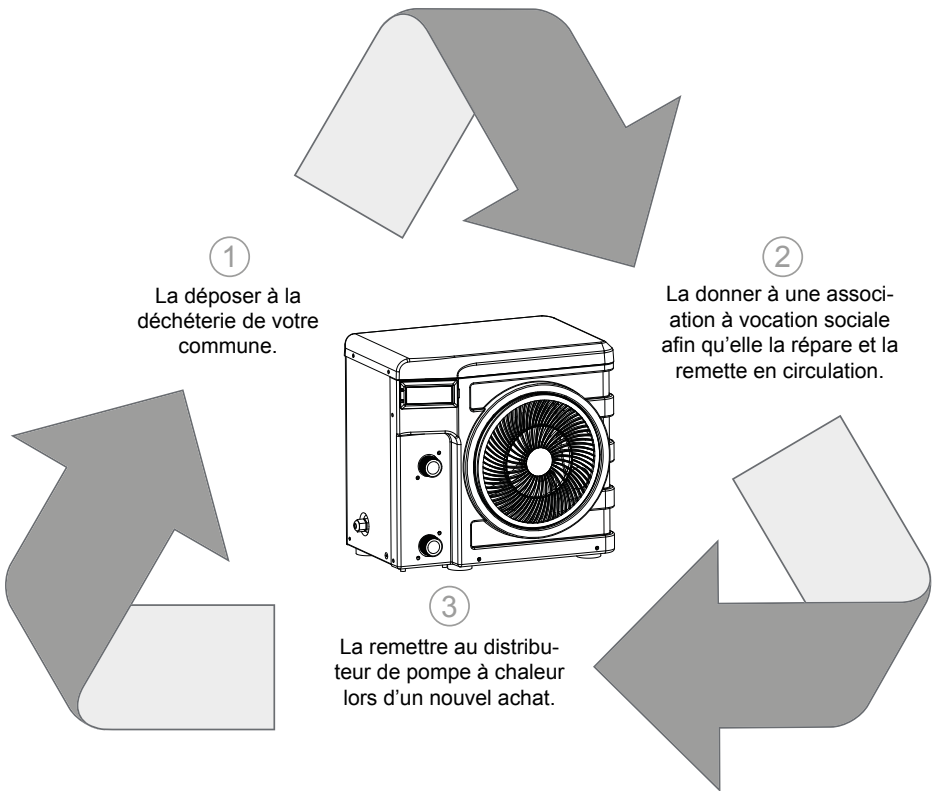
# 8. Recyclage

## 8.1 Recyclage de la pompe à chaleur

Votre appareil est en fin de vie et vous souhaitez vous en débarrasser ou le remplacer. Ne le jetez pas à la poubelle.

Une pompe à chaleur doit faire l'objet d'une collecte sélective en vue de sa réutilisation, de son recyclage ou de sa revalorisation. Elle contient des substances potentiellement dangereuses pour l'environnement, lors de son recyclage celles-ci seront éliminées ou neutralisées.

### TROIS SOLUTIONS S'OFFRENT À VOUS :



# 9. Garantie

## 9.1 Conditions générales de garantie

La société Poolstar garantit au propriétaire d'origine les défauts matériels et les défauts de fabrication de la pompe à chaleur Poolex Nano R32 pendant une période de deux (2) ans.

Le compresseur est garanti pendant une période de cinq (5) ans

L'échangeur à tube en titane est garanti quinze (15) ans contre la corrosion chimique, sauf dommage dû au gel.

Les autres composants du condenseur sont sous garantie pendant deux (2) ans.

La date d'entrée en vigueur de la garantie est la date de première facturation.

La garantie ne s'applique pas dans les cas suivants :

- Dysfonctionnement ou dommage dérivant d'une installation, d'une utilisation ou d'une réparation non conforme aux consignes de sécurité.
- Dysfonctionnement ou dommage dérivant d'un milieu chimique impropre de la piscine.
- Dysfonctionnement ou dommage dérivant de conditions impropres à la destination d'usage de l'appareil.
- Dommage dérivant d'une négligence, d'un accident ou de cas de force majeure.
- Dysfonctionnement ou dommage dérivant de l'utilisation d'accessoires non autorisés.

Les réparations prises en charges pendant la période de garantie doivent être approuvées avant leur réalisation et confiées à un technicien agréé. La garantie est caduque en cas de réparation de l'appareil par une personne non autorisée par la société Poolstar.

Les pièces garanties seront remplacées ou réparées à la discrétion de Poolstar. Les pièces défectueuses doivent être retournées dans nos ateliers pendant la période de garantie pour être prises en charge. La garantie ne couvre pas les frais de main d'oeuvre ou de remplacement non autorisés. Le retour de la pièce défectueuse n'est pas pris en charge par la garantie.

Madame, Monsieur,

**Une question ? Un problème ? Ou simplement enregistrer votre garantie, retrouvez-nous sur notre site internet:**

**<http://support.poolex.fr/>**

Nous vous remercions de votre confiance  
et vous souhaitons une excellente baignade.

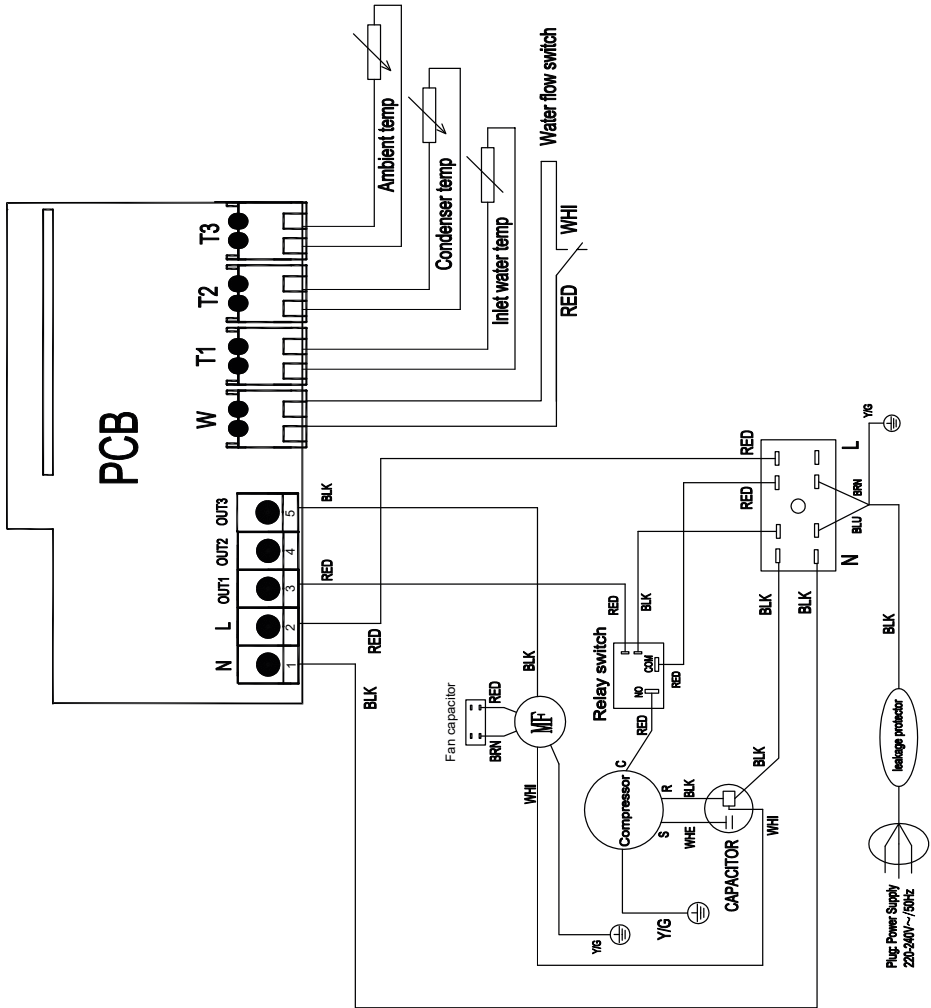
Vos coordonnées pourront être traitées conformément à la Loi Informatique et Liberté du 6 janvier 1978 et ne seront divulguées à quiconque.

### ATTENTION :

**La garantie contractuelle ne pourra être validée auprès de l'installateur ou de Poolstar qu'à la condition d'avoir enregistré votre produit sur notre site Internet.**

# A. Annexes

## A.1 Schémas de câblage de la carte électronique





# Avvertenze



**Questa pompa di calore contiene un refrigerante infiammabile R32.**

**Qualsiasi intervento sul circuito frigorifero è vietato senza una valida autorizzazione. Prima di lavorare sul circuito del refrigerante, sono necessarie le seguenti precauzioni per un lavoro sicuro.**

## **1. Procedura di lavoro**

Il lavoro deve essere eseguito secondo una procedura controllata, al fine di minimizzare il rischio di presenza di gas o vapori infiammabili durante l'esecuzione dei lavori.

## **2. Area di lavoro generale**

Tutte le persone della zona devono essere informate della natura dei lavori in corso. Evitare di lavorare in un'area ristretta. L'area intorno all'area di lavoro deve essere divisa, assicurata e deve essere prestata particolare attenzione alle fonti vicine di fiamme o di calore.

## **3. Verifica della presenza di refrigerante**

L'area deve essere controllata con un rilevatore di refrigerante adatto prima e durante il lavoro per garantire che non ci sia gas potenzialmente infiammabile. Assicurarsi che l'apparecchiatura di rilevamento delle perdite utilizzata sia idonea per i refrigeranti infiammabili, ovvero che non produca scintille, che sia adeguatamente sigillata o che abbia sicurezza interna.

## **4. Presenza di estintore**

Se devono essere eseguiti lavori a caldo sull'attrezzatura di refrigerazione o su qualsiasi parte associata, devono essere disponibili attrezzature di estinzione adeguate. Installare un estintore a polvere o CO2 vicino all'area di lavoro.

## **5. Nessuna fonte di fiamma, calore o scintilla**

È assolutamente vietato utilizzare una fonte di calore, fiamme o scintille nelle immediate vicinanze di una o più parti o tubazioni contenenti o contenenti un refrigerante infiammabile. Tutte le fonti di accensione, incluso il fumo, devono essere sufficientemente lontane dal luogo di installazione, riparazione, rimozione e smaltimento, durante i quali un refrigerante infiammabile può essere rilasciato nell'area circostante. Prima di iniziare il lavoro, l'ambiente dell'apparecchiatura deve essere controllato per garantire che non vi siano rischi di infiammabilità. I cartelli «No smoking» devono essere affissi.

## **6. Area ventilata**

Assicurarsi che l'area sia all'aria aperta o adeguatamente ventilata prima di intervenire sull'impianto o di eseguire lavori a caldo. Una certa ventilazione deve essere mantenuta durante la durata del lavoro.

## **7. Controlli delle apparecchiature di refrigerazione**

Quando i componenti elettrici vengono sostituiti, devono essere adatti allo scopo previsto e alle specifiche appropriate. È possibile utilizzare solo le parti del produttore. In caso di dubbi, consultare il servizio tecnico del produttore.

I seguenti controlli devono essere applicati agli impianti che utilizzano refrigeranti infiammabili:

- La dimensione del carico è in accordo con le dimensioni della stanza in cui sono installate le stanze contenenti il refrigerante;
- La ventilazione e le prese d'aria funzionano correttamente e non sono ostruite;
- Se si utilizza un circuito di refrigerazione indiretto, è necessario controllare anche il circuito secondario.
- La marcatura sull'attrezzatura rimane visibile e leggibile. Segni e segni illeggibili devono essere corretti;
- I tubi o componenti di refrigerazione sono installati in una posizione in cui è improbabile che possano essere esposti a una sostanza che potrebbe corrodere i componenti contenenti refrigerante

## **8. Verifica degli apparecchi elettrici**

La riparazione e la manutenzione dei componenti elettrici devono includere i primi controlli di sicurezza e le procedure di ispezione dei componenti. Se c'è un difetto che potrebbe compromettere la sicurezza, nessun alimentatore deve essere collegato al circuito fino a quando il problema non viene risolto.

I controlli di sicurezza iniziali devono includere:

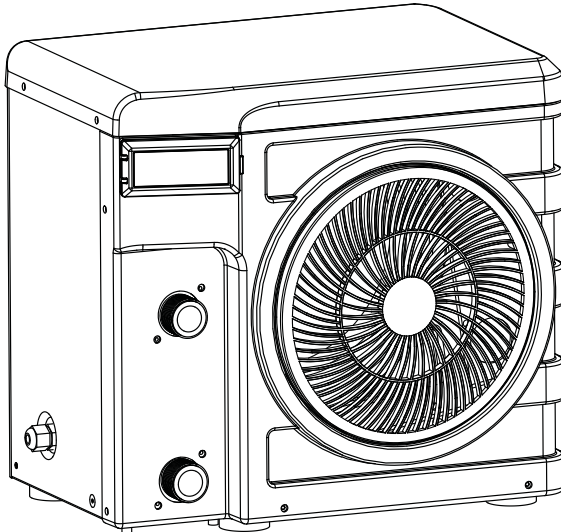
- Che i condensatori siano scaricati: questo deve essere fatto in modo sicuro per evitare la possibilità di scintille;
- Nessun componente elettrico o cablaggio è esposto durante il caricamento, il recupero o lo spurgo dell'impianto del gas refrigerante;
- C'è continuità di messa a terra.

# Gracias

*Estimado cliente,*

*Gracias por adquirir este artículo y por confiar en nuestros productos, que son el fruto de muchos años de investigación en el campo del diseño y la producción de bombas de calor para piscinas. Nuestro propósito es ofrecerle un producto de una calidad y un resultado excepcionales.*

*Hemos elaborado este manual con sumo cuidado para que pueda sacar el máximo provecho a su bomba de calor Poolex.*





# LÉALO CON ATENCIÓN



**Estas instrucciones de instalación forman parte esencial del producto y deben entregarse al instalador. Una vez instalado el producto, el usuario deberá guardarlas.**

**En caso de perder el manual, consulte el sitio web:**

**[www.poollex.fr](http://www.poollex.fr)**

Las instrucciones y recomendaciones recogidas en este manual deben leerse con atención y comprenderse, puesto que contienen información muy útil sobre el funcionamiento y la manipulación segura de la bomba de calor. **Guarde este manual en un lugar accesible su futura consulta.**

**La instalación debe ser realizada por un profesional cualificado**, de acuerdo con la normativa vigente y con las instrucciones del fabricante. Un error de instalación podría provocar daños físicos a personas o animales, así como un daño mecánico del que el fabricante no se hace responsable en ningún caso.

**Una vez desembalada la bomba de calor, compruebe su contenido para informar de cualquier daño.**

Antes de conectar la bomba de calor, compruebe que la información que contiene este manual es compatible con las condiciones de instalación reales, y que no exceda de los límites máximos autorizados para este producto en concreto.

**En caso de defecto o mal funcionamiento de la bomba de calor, desconecte la fuente de alimentación** y no intente reparar el error.

Las reparaciones deben ser realizadas únicamente por la empresa de servicio técnico autorizada y con piezas de repuesto originales. El incumplimiento de las cláusulas anteriores podría impedir el funcionamiento seguro de la bomba de calor.

Para garantizar la eficiencia y el buen funcionamiento de la bomba de calor es importante realizar un mantenimiento periódico de acuerdo con las instrucciones adjuntas.

En el caso de que la bomba de calor sea vendida o traspasada, asegúrese siempre de que se entrega toda la documentación técnica al nuevo propietario junto con el equipo.

Esta bomba de calor está diseñada exclusivamente para calentar una piscina. Cualquier otro uso se considerará inapropiado, incorrecto e, incluso, peligroso.

Toda responsabilidad contractual o no contractual del fabricante o distribuidor se considerará nula cuando se refiera a un daño provocado por errores de operación o de instalación, o por el incumplimiento de las instrucciones que acompañan a este manual o de las normas de instalación aplicables al equipo descrito en este documento.

# Índice

<b>1. Generalidades</b> .....	<b>4</b>
1.1 Condiciones generales de entrega.....	4
1.2 Instrucciones de seguridad.....	4
1.3 Tratamiento del agua.....	5
<b>2. Descripción</b> .....	<b>6</b>
2.1 Contenido del paquete.....	6
2.2 Características generales.....	6
2.3 Especificaciones técnicas.....	7
2.4 Dimensiones de la unidad.....	8
2.5 Vista en despiece.....	9
<b>3. Instalación</b> .....	<b>10</b>
3.1 Localización.....	10
3.2 Esquema de la instalación.....	11
3.3 Conexión hidráulica.....	11
3.4 Conexión eléctrica.....	11
<b>4. Uso</b> .....	<b>12</b>
4.1 Panel de control.....	12
4.2 Modo de calentamiento.....	13
4.3 Valores de estado y configuraciones avanzadas.....	14
<b>5. Funcionamiento</b> .....	<b>16</b>
5.1 Funcionamiento.....	16
<b>6. Mantenimiento y servicio técnico</b> .....	<b>17</b>
6.1 Mantenimiento, servicio técnico y almacenamiento en invierno.....	17
<b>7. Reparaciones</b> .....	<b>18</b>
7.1 Averías y errores.....	18
<b>8. Reciclaje</b> .....	<b>19</b>
8.1 Reciclaje de la bomba de calor.....	19
<b>9. Garantía</b> .....	<b>20</b>
9.1 Condiciones generales de la garantía.....	20
<b>A. Apéndices</b> .....	<b>A</b>
A.1 Diagramas de cableado.....	A

# 1. Generalidades

## 1.1 Condiciones generales de entrega

Todo el equipo, aun cuando se transporte «franco de porte y embalaje», se entrega por cuenta y riesgo del destinatario.

El responsable de la recepción del equipo debe llevar a cabo una inspección visual para detectar cualquier daño sufrido por la bomba de calor durante su transporte (sistema de refrigeración, paneles de la carcasa, caja de control eléctrico, marco, etc.). Asimismo, debe escribir en la nota de entrega del transportista los comentarios relativos al daño sufrido durante el transporte y confirmárselos al transportista por carta certificada en el plazo de 48 horas.



El equipo debe almacenarse y transportarse en todo momento en posición vertical sobre un palé, y en su embalaje original. En caso de guardarse o transportarse en posición horizontal, espere un mínimo de 24 horas antes de encenderlo.

## 1.2 Instrucciones de seguridad



**ADVERTENCIA: Lea atentamente las instrucciones de seguridad antes de usar el equipo. Las siguientes instrucciones son fundamentales para la seguridad, por lo que deben cumplirse estrictamente.**

### *Durante la instalación y el mantenimiento*

Los servicios de instalación, puesta en marcha, mantenimiento y reparación solo podrán ser realizados por un técnico especializado y en cumplimiento de las normas vigentes.

Antes de manipular o realizar cualquier trabajo en el equipo (instalación, puesta en marcha, uso, mantenimiento), el responsable debe conocer todas las instrucciones contenidas en el manual de instalación de la bomba de calor, así como sus especificaciones técnicas.

No instale nunca el equipo cerca de una fuente de calor, materiales combustibles o el conducto de entrada de aire de un edificio.

Si la instalación no se realiza en un lugar con acceso restringido, deberá colocarse una rejilla para proteger la bomba de calor.

No pise las tuberías mientras se llevan a cabo trabajos de instalación, reparación o mantenimiento, a riesgo de sufrir quemaduras graves.

Para evitar quemaduras graves, antes de empezar a trabajar con el sistema de refrigeración apague la bomba de calor y espere varios minutos para instalar los sensores de temperatura y de presión.

Compruebe el nivel del refrigerante cuando realice el mantenimiento de la bomba de calor.

Compruebe que los interruptores de presión alta y baja estén correctamente conectados al sistema de refrigeración y que apaguen el circuito eléctrico si se disparan durante la inspección anual para la detección de fugas.

Compruebe que no hay señales de corrosión ni manchas de aceite alrededor de las piezas del sistema de refrigeración.

# 1. Generalidades

## *Durante el uso*

Para evitar lesiones graves, no toque nunca el ventilador mientras esté en funcionamiento.

Mantenga la bomba de calor fuera del alcance de los niños para evitar las lesiones graves que pueden ocasionar las cuchillas del intercambiador del calor.

Jamás encienda el equipo si la piscina está vacía o si la bomba de circulación está parada.

Compruebe el caudal de agua todos los meses y limpie el filtro cuando sea necesario.

## *Durante las reparaciones*

Desconecte el equipo de la fuente de alimentación.

Cierre las válvulas de entrada y salida de agua.

No introduzca ningún objeto en los orificios de entrada o salida de agua o de aire.

No aclare el equipo con agua.

## *Durante las reparaciones*

Las reparaciones del sistema de refrigeración deben realizarse siguiendo las normas de seguridad vigentes.

Los trabajos de soldadura fuerte deberían ser realizados por un soldador cualificado.

Para sustituir un componente del sistema de refrigeración defectuoso, utilice solo piezas homologadas por nuestro departamento técnico.

En caso de sustitución de tuberías deberán usarse únicamente tuberías de cobre conformes con la Norma NF EN12735-1 para las reparaciones.

Cuando se realicen pruebas de presión para la detección de fugas:

Para evitar el riesgo de incendio o explosión, no utilice nunca oxígeno ni aire seco.

Utilice nitrógeno deshidratado o una mezcla de nitrógeno y refrigerante.

La presión de prueba alta y baja no debe superar los 42 bares.

## 1.3 Tratamiento del agua

Las bombas de calor Poolex para piscinas pueden usarse con todo tipo de sistemas de tratamiento de agua.

No obstante, es imprescindible que el sistema de tratamiento de agua (con bombas dosificadoras de cloro, pH, bromo o electrólisis de sal) se instale después que la bomba de calor en el circuito hidráulico.

**Para evitar que la bomba de calor se deteriore, el Ph del agua debe mantenerse entre 6,9 y 8,0.**

# 2. Descripción

## 2.1 Contenido del paquete

- ✓ Bomba de calor Poolex Nano Action R32
- ✓ 2 conectores hidráulicos de entrada/salida 32 / 38 mm de diámetro
- ✓ Este manual de usuario y de instalación
- ✓ **4 almohadillas antivibraciones**

## 2.2 Características generales

Una bomba de calor Poolex tiene las siguientes características:

- ▶ Certificación CE y cumplimiento con la directiva europea RoHS.
- ▶ Gran rendimiento con un ahorro energético de hasta el 80% en comparación con otros sistemas de calentamiento convencionales.
- ▶ Refrigerante R32 limpio, eficiente y respetuoso con el medio ambiente.
- ▶ Compresor de marca superior y de alta calidad.
- ▶ Amplio condensador de aluminio hidrofílico para uso a temperaturas bajas.
- ▶ Panel de control intuitivo y de fácil manejo.
- ▶ Carcasa muy resistente, con tratamiento anti-UV y de fácil mantenimiento.
- ▶ Diseño silencioso.

## 2. Descripción

### 2.3 Especificaciones técnicas

		3 kW	4 kW	5 kW
Aire <sup>(1)</sup> 26°C Agua <sup>(2)</sup> 26°C	Calefacción (W)	3 010	4 200	5 010
	Consumo (W)	540	760	910
	<b>COR (Coeficiente de rendimiento)</b>	<b>5,61</b>	<b>5,50</b>	<b>5,50</b>
Aire <sup>(1)</sup> 15°C Agua <sup>(2)</sup> 26°C	Calefacción (W)	2210	3 100	4 030
	Consumo (W)	540	760	1 000
	<b>COR (Coeficiente de rendimiento)</b>	<b>4,09</b>	<b>4,08</b>	<b>4,03</b>
Alimentación	220-240V ~ 50Hz			
Potencia máxima (W)	930	1 200	1 500	
Corriente máxima (A)	4,15	5,32	6,65	
Rango de temperatura de calentamiento	15°C ~ 40°C			
Rango de funcionamiento	8°C ~ 43°C			
Dimensiones de la unidad L x W x H (mm)	385 x 400 x 280			
Peso de la unidad (kg)	18	24	26	
Dimensiones del embalaje L x W x H (mm)	415 x 460 x 370			
Peso del embalaje (kg)	20	28	30	
Nivel de presión acústica a 10m (dBA) <sup>(3)</sup>	<32	<35	<36	
Conexión hidráulica (mm)	PVC 32 / 38mm			
Intercambiador de calor	Tanque de PVC y serpentín de calefacción de titanio			
Caudal mínimo de agua (m³/h)	1,3	2	2,5	
Tipo de compresor	Rotativo			
Refrigerante	R32			
GWP	675			
Contenido en refrigerante (kg)	0,15	0,3	0,35	
CO2 equivalent	0,10	0,203	0,337	
IP a prueba de agua	IPX4			
Pérdida de carga (mCE)	0,8			
Volumen máximo de la piscina (m³) <sup>(4)</sup>	≤21	≤28	≤35	
Panel de control	Pantalla de control retroiluminada			
Modo	Calentamiento			

Las especificaciones técnicas de nuestras bombas de calor se indican a modo meramente informativo. La empresa se reserva el derecho a efectuar cambios sin previo aviso.

<sup>1</sup> Temperatura ambiente

<sup>2</sup> Temperatura inicial del agua

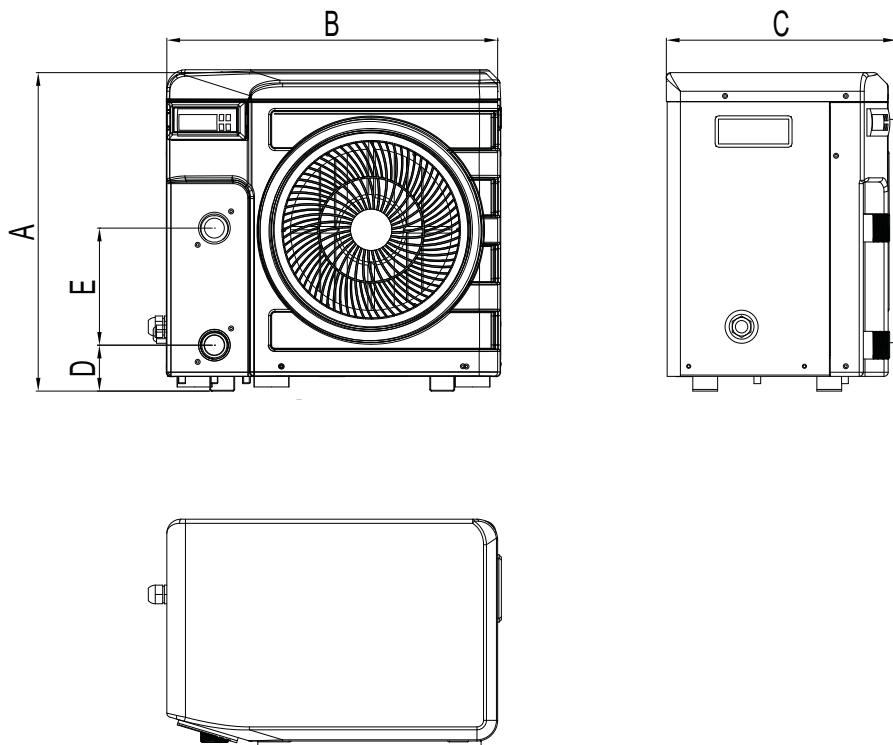
<sup>3</sup> Ruido a 10 m conforme con las Directivas EN ISO 3741 y EN ISO 354

<sup>4</sup> Calculado para una piscina privada a ras de suelo protegida con una cubierta de burbujas.



## 2. Descripción

### 2.4 Dimensiones de la unidad

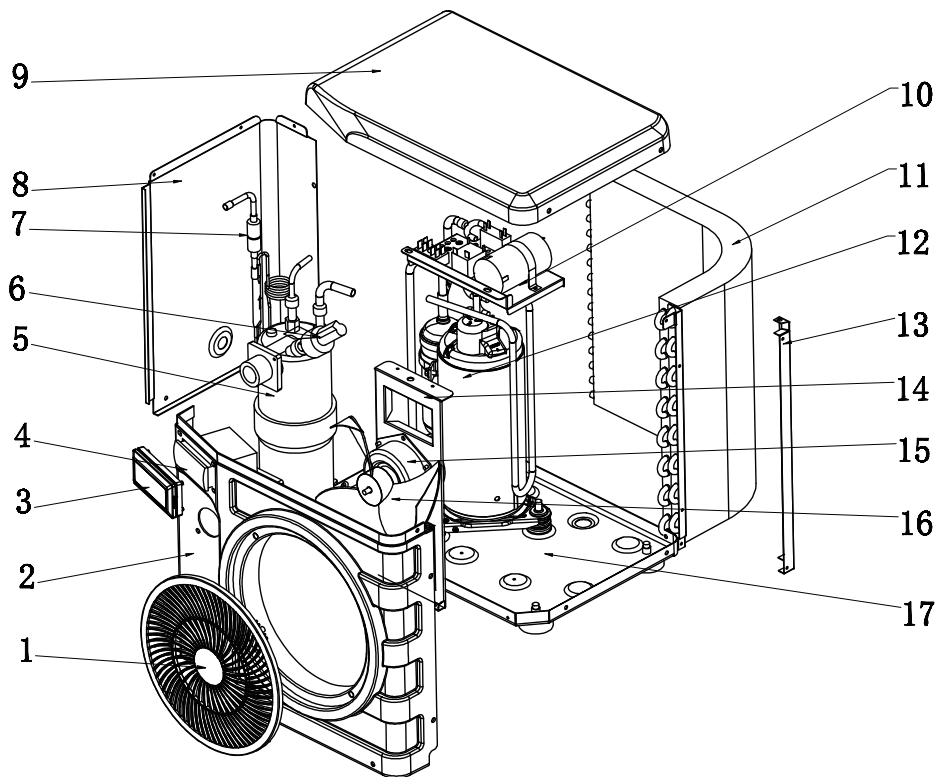


Dimensiones en mm

Nano Action 3 kW / 4 kW / 5 kW	
A	385
B	400
C	280
D	52
E	140

## 2. Descripción

### 2.5 Dimensiones de la unidad



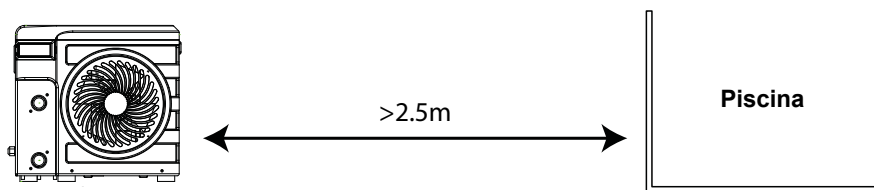
- |   |                               |
|---|-------------------------------|
| 1. Rejilla de protección del ventilador | 10. Caja de control eléctrico |
| 2. Panel frontal                        | 11. Evaporador                |
| 3. Panel de control                     | 12. Compresor                 |
| 4. Panel de control                     | 13. Bastidor de montaje       |
| 5. Intercambiador de calor              | 14. Soporte del ventilador    |
| 6. Sensor de flujo                      | 15. Motor del ventilador      |
| 7. Interruptor de flujo                 | 16. Cuchilla del ventilador   |
| 8. Panel izquierdo                      | 17. Chasis                    |
| 9. Panel superior                       |                               |

# 3. Instalación

**La bomba de calor es muy fácil de instalar y solo requiere la conexión al circuito hidráulico y una fuente de alimentación.**

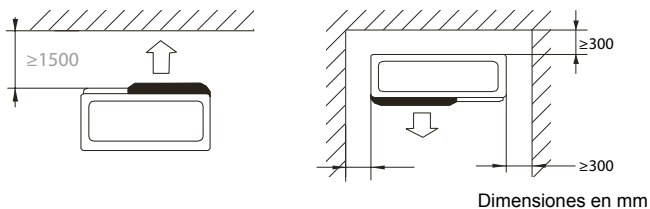
## 3.1 Localización

La bomba de calor debe colocarse al menos a 2,5 metros de la piscina.



**Siga las siguientes reglas a la hora de elegir la localización de la bomba de calor**

1. La futura ubicación de la unidad debe ser fácilmente accesible para su buena manipulación y mantenimiento.
2. Debe instalarse en el suelo, idealmente posado sobre una superficie nivelada de hormigón. Compruebe que el suelo es suficientemente estable y capaz de soportar el peso de la unidad.
3. Compruebe que la unidad está bien ventilada, que la salida de aire no está orientada hacia las ventanas de edificios colindantes y que el aire de escape no pueda volver. Además, deje espacio suficiente alrededor de la unidad para los trabajos de puesta en servicio y mantenimiento.
4. La unidad no debe instalarse en una zona expuesta a gasolina, gases inflamables, productos corrosivos o componentes sulfurados ni cerca de equipos de alta frecuencia.
5. Para evitar salpicaduras de barro, no instale la unidad cerca de una carretera o camino.
6. Para no ocasionar molestias a los vecinos, compruebe que la unidad esté orientada hacia la zona menos sensible al ruido.
7. Mantenga la unidad fuera del alcance de los niños en la medida de lo posible.



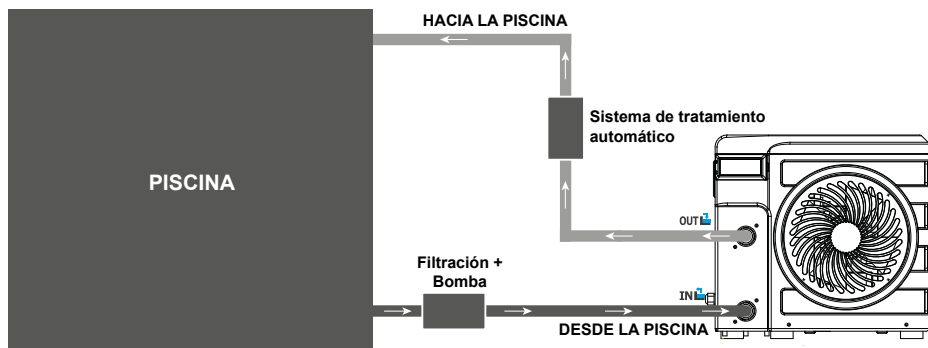
No coloque ningún objeto a menos de 1,50 m de distancia por delante de la bomba de calor.

Deje un espacio libre de 30 cm a los lados y por la parte posterior de la bomba de calor.

**¡No deje ningún obstáculo por encima ni por delante de la unidad!**

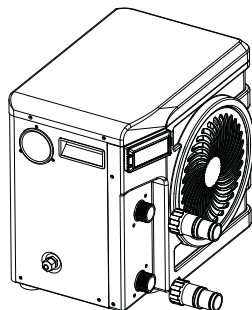
# 3. Instalación

## 3.2 Esquema de la instalación



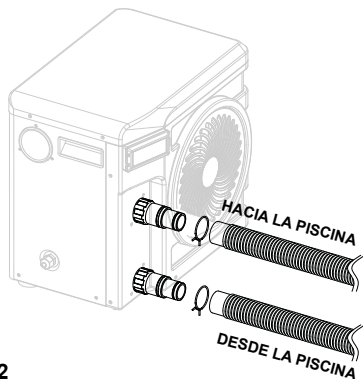
El filtro ubicado antes de la bomba de calor debe limpiarse regularmente para que el agua del sistema esté limpia y evitar de este modo problemas de funcionamiento derivados de la suciedad o el atascamiento del filtro.

## 3.3 Conexión hidráulica



### Paso 1

Atornille las conexiones en la bomba de calor



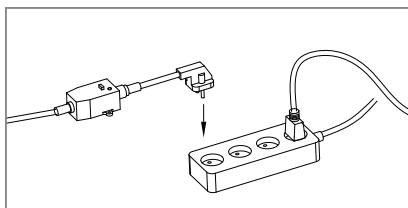
### Paso 2

Conecte los tubos de entrada y salida

## 3.4 Conexión eléctrica

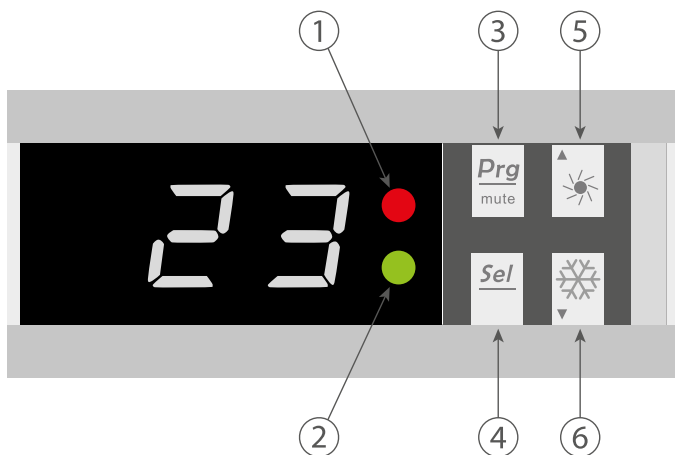
La toma de corriente de la bomba de calor incorpora un interruptor diferencial de 10 mA. Antes de conectar su bomba de calor, asegúrese de que la toma de corriente esté correctamente conectada a tierra.

La bomba de filtro debe funcionar al mismo tiempo que la bomba de calor. Por lo tanto, conéctelos al mismo circuito eléctrico.



# 4. Uso

## 4.1 Panel de control




- |                                |              |              |
|--------------------------------|--------------|--------------|
| 1. Indicatore di alimentazione | 3. ON / OFF  | 5. Sup. (+)  |
| 2. Indicatore di sbrinamento   | 4. Selección | 6. Basso (-) |

# 4. Uso

## 4.2 Modo de calentamiento



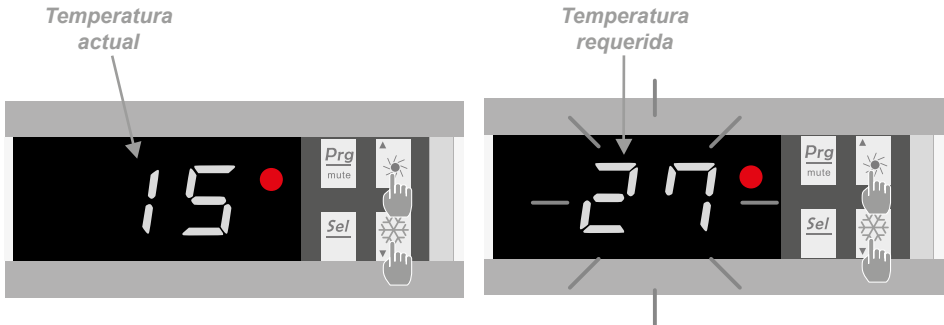
**ADVERTENCIA:** Antes de empezar, compruebe que la bomba de filtración funciona correctamente.

**Paso 1 :** Pulse  para encender la bomba.

**Paso 2 :** Utilizando los botones  y  seleccione la temperatura requerida.

EJEMPLO:

Si la temperatura actual es de 15°C, el valor predeterminado es 27°C y la temperatura deseada es de 30°C.



### Información útil sobre cómo funciona el modo de calentamiento


Cuando la temperatura del agua entrante sea inferior o igual a la temperatura requerida (temperatura deseada) -X°C, la bomba de calor cambiará al modo de calentamiento. El compresor se detendrá cuando la temperatura del agua entrante sea superior o igual a la temperatura requerida (temperatura deseada).

*Los indicadores de ajuste oscilan X*


X: parámetro ajustable entre 1° y 15°C; la configuración por defecto es 3°C. (Parámetro N°6)

# 4. Uso

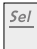
## 4.3 Valores de estado y configuraciones avanzadas

 **ADVERTENCIA:** Esta operación se utiliza para ayudar a los servicios de mantenimiento y futuras reparaciones. Las configuraciones por defecto solo deberían ser modificadas por un profesional con experiencia.



Las configuraciones del sistema pueden comprobarse y ajustarse desde el mando a distancia siguiendo estos pasos:


**Paso 1 :** Mantenga pulsado el botón  hasta que llegue al modo de verificación de configuración.


**Paso 2 :** Pulse  y  para ver la configuración.

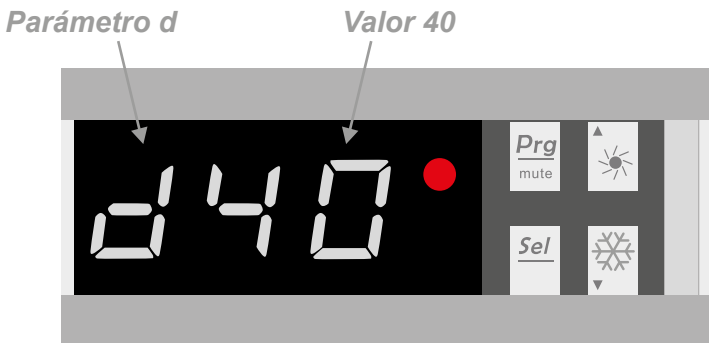
**Paso 3 :** Pulse  para seleccionar la configuración que desea modificar.

*NOTA: Algunas configuraciones no pueden modificarse. Consulte la tabla de configuraciones para más información.*

**Paso 4 :** Pulse  y  para ajustar el valor de configuración.

**Paso 5 :** Pulse  para establecer el nuevo valor.

**Paso 6 :** Pulse  para volver a la pantalla principal.



# 4. Uso

**Tabla de parámetros**

N°	Descripción	Rango de ajuste	Configuración de fábrica	Comentarios
A	Temperatura del agua de entrada	-19~99°C		Datos reales
b	Temperatura del agua de salida	-19~99°C		Datos reales
c	Temperatura ambiente	-19~99°C		Datos reales
d	Temperatura predeterminada	15~40°C	27°C	Ajustable
E	Hora de activación automática del ciclo de deshielo	10~80 min	40 min	Ajustable
F	Duración máxima del deshielo	10~40 min	30 min	Ajustable
H	Ajuste de la diferencia de temperatura para el reinicio	1~10°C	3°C	Ajustable
J	Reinicio automático	0 = OFF 1 = ON	1	Ajustable
O	Protección contra heladas: baja temperatura del aire	0~15°C	8°C	Ajustable
P	Temperatura del evaporador para la activación del desescarche	-19°C~0°C	-3°C	Ajustable
U	Temperatura del evaporador para parada de descongelamiento	1~30°C	20°C	Ajustable
t	Reservado - no modificar			Reserved



# 5. Funcionamiento

## 5.1 Funcionamiento

### Condiciones de uso


Para que la bomba de calor pueda funcionar con normalidad, la temperatura ambiente debe oscilar entre 8°C y 43°C.

### Recomendaciones previas a la puesta en marcha

Antes de activar la bomba de calor:

- ✓ Compruebe que la unidad está bien estable.
- ✓ Verifique el correcto funcionamiento de su instalación eléctrica.
- ✓ Compruebe que las conexiones hidráulicas están bien cerradas y que no existen fugas de agua.
- ✓ Retire los objetos o herramientas innecesarios que se encuentren alrededor de la unidad.

### Funcionamiento

1. Enchufe la toma de corriente de la unidad.
2. Active la bomba de filtración
3. Active la protección de la alimentación eléctrica de la unidad (diferencial situado sobre el cable de alimentación).
4. Active la bomba de calor pulsando una vez en .
5. Seleccione la temperatura requerida usando uno de los modos del mando a distancia (sección 4.2).
6. El compresor de la bomba de calor se encenderá al cabo de unos instantes.


Ahora solo tiene que esperar a que se alcance la temperatura requerida.



**ADVERTENCIA:** En condiciones normales, una bomba de calor adecuada puede calentar el agua de una piscina entre 1°C y 2°C diarios. Por tanto, es completamente normal no notar ninguna diferencia térmica en el sistema cuando la bomba de calor está en funcionamiento. Las piscinas climatizadas deben cubrirse para no perder calor.

# 6. Mantenimiento y servicio

## 6.1 Mantenimiento, servicio técnico y almacenamiento en invierno

 **ADVERTENCIA: Antes de realizar ningún trabajo de mantenimiento en la unidad, compruebe que la cortado la alimentación eléctrica.**

### Limpeza

Limpe la carcasa de la bomba de calor con un paño húmedo. El uso de detergentes u otros productos de uso doméstico podrían dañar la superficie de la carcasa y afectar a sus propiedades.

El evaporador alojado en la parte trasera de la bomba de calor debe limpiarse con cuidado con una aspiradora o un plumero suave.

### Mantenimiento anual

Al menos una vez al año, un técnico cualificado debe llevar a cabo las siguientes operaciones.

- ✓ Realizar comprobaciones de seguridad
- ✓ Comprobar el buen estado del cableado eléctrico
- ✓ Comprobar las conexiones a tierra
- ✓ Controlar el estado del manómetro y el nivel de refrigerante

### Almacenamiento en invierno

Su bomba de calor está diseñada para funcionar en todas las condiciones climáticas. Sin embargo, no se recomienda dejarla fuera durante largos períodos de tiempo (por ejemplo, durante el invierno). Después de bacia la piscina para el invierno, desarme la bomba de calor y guárdela en un lugar limpio y seco.

# 7. Reparaciones



**ADVERTENCIA:** En condiciones normales, una bomba de calor adecuada puede calentar el agua de una piscina entre 1°C y 2°C diarios. Por tanto, es completamente normal no notar ninguna diferencia térmica en el sistema cuando la bomba de calor está en funcionamiento.

Las piscinas climatizadas deben cubrirse para no perder calor.

## 7.1 Averías y errores

En caso de problemas, la pantalla de la bomba de calor muestra un código de error en lugar de indicaciones de temperatura. Consulte la tabla por debajo para identificar las posibles causas de un error y las soluciones que puede tener.

Código	Erreur	Causas posibles	Solución
P1	Mal funcionamiento del sensor de temperatura del agua de entrada	El sensor está mal conectado	Vuelva a conectar el sensor
		Sensor defectuoso	Sustituya el sensor
		Caja de control defectuoso	Sustituya el caja de control
P3	Mal funcionamiento del sensor de temperatura del evaporador	Mismas causas que P1	Mismas soluciones que P1
P5	Mal funcionamiento del sensor de temperatura externa		
P7	Protección anticongelante	Protección activada cuando la temperatura ambiente es demasiado baja	No se requiere ninguna intervención
E3	Mal funcionamiento del sensor del caudal	Nivel de agua insuficiente en el intercambiador de calor	Compruebe el funcionamiento del circuito de agua
		Sensor del caudal de agua defectuoso	Sustituya el contactor del caudal de agua.
		Caja de control defectuoso	Sustituya el caja de control
La bomba de calor no funciona		Nivel de agua insuficiente en el intercambiador de calor	Compruebe el funcionamiento del circuito de agua
		Caja de control defectuoso	Sustituya el caja de control

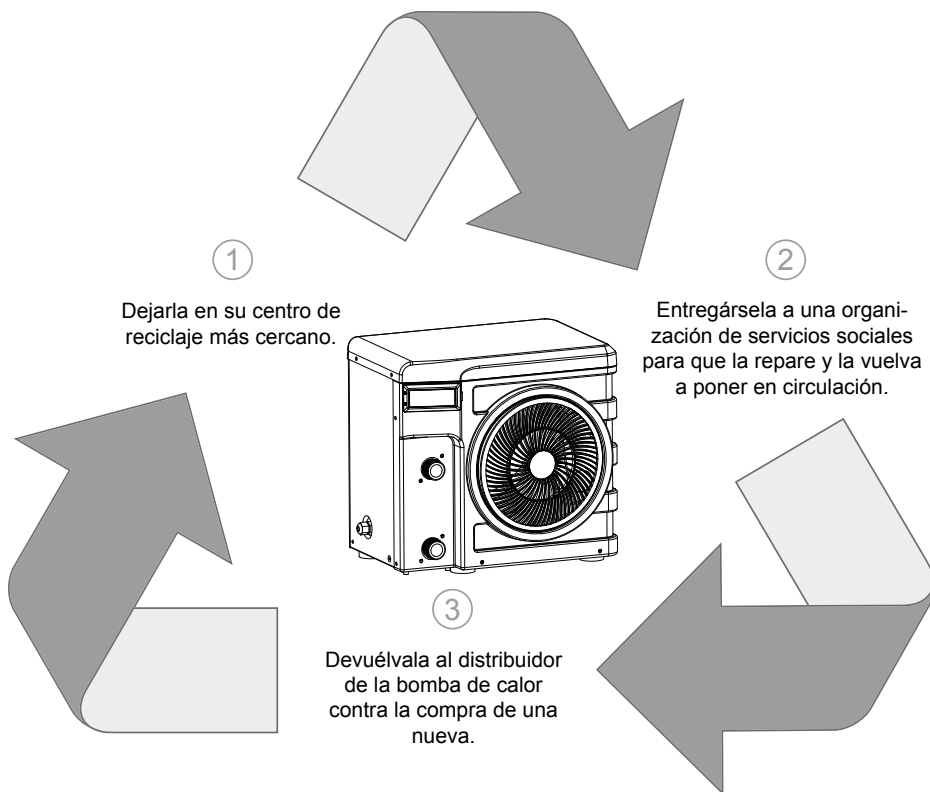
# 8. Reciclaje

## 8.1 Reciclaje de la bomba de calor

Su bomba de calor ha llegado al final de su vida útil y usted desea desecharla o sustituirla. No la deposite en el cubo de la basura.

Una bomba de calor debe desecharse por separado con vistas a su reutilización, reciclaje o renovación. Contiene sustancias que pueden resultar nocivas para el medio ambiente y que, sin embargo, pueden ser eliminadas o neutralizadas mediante el reciclaje.

**EXISTEN TRES OPCIONES:**



# 9. Garantía

## 9.1 Condiciones generales de la garantía

La empresa Poolstar ofrece al propietario original una garantía de dos (2) años contra materiales defectuosos y defectos de fabricación de la bomba de calor Poollex Nano R32.

El compresor está garantizado durante un periodo de cinco (5) años.

El intercambiador de calor tubular de titanio tiene garantía de quince (15) años contra la corrosión química, salvo en caso de daño por heladas.

El resto de piezas del condensador tienen una garantía de dos (2) años.

La garantía entra en vigor en la fecha de la primera factura.

La garantía no será aplicable en los casos siguientes:

- Mal funcionamiento o daño derivados de una instalación, uso o reparación no conformes con las instrucciones de seguridad.
- Mal funcionamiento o daño derivados del uso de un producto químico no adecuado para la piscina.
- Mal funcionamiento o daño derivados de unas condiciones no adecuadas para el uso previsto del equipo.
- Daño atribuible a una negligencia, accidente o fuerza mayor.
- Mal funcionamiento o daño derivados del uso de accesorios no homologados.

Las reparaciones que realicen a cabo dentro del periodo de garantía deben ser aprobadas previamente por un técnico autorizado. La garantía quedará anulada si la reparación del equipo es realizada por una persona no autorizada por la empresa Poolstar.

Las piezas cubiertas por la garantía serán sustituidas o reparadas, a discreción de Poolstar. Las piezas defectuosas deben devolverse a nuestros talleres para estar cubiertas durante el periodo de garantía. La garantía no cubre los costes de mano de obra ni las sustituciones no autorizadas. La garantía no cubre la devolución de la pieza defectuosa.

Estimado/-a señor/-a,

**Una pregunta ? Un problema ? O simplemente registre su garantía, encuéntranos en nuestro sitio web:**

**<http://support.poollex.es/>**

Le agradecemos que haya confiado en nuestros productos.  
¡Disfrute de su piscina!

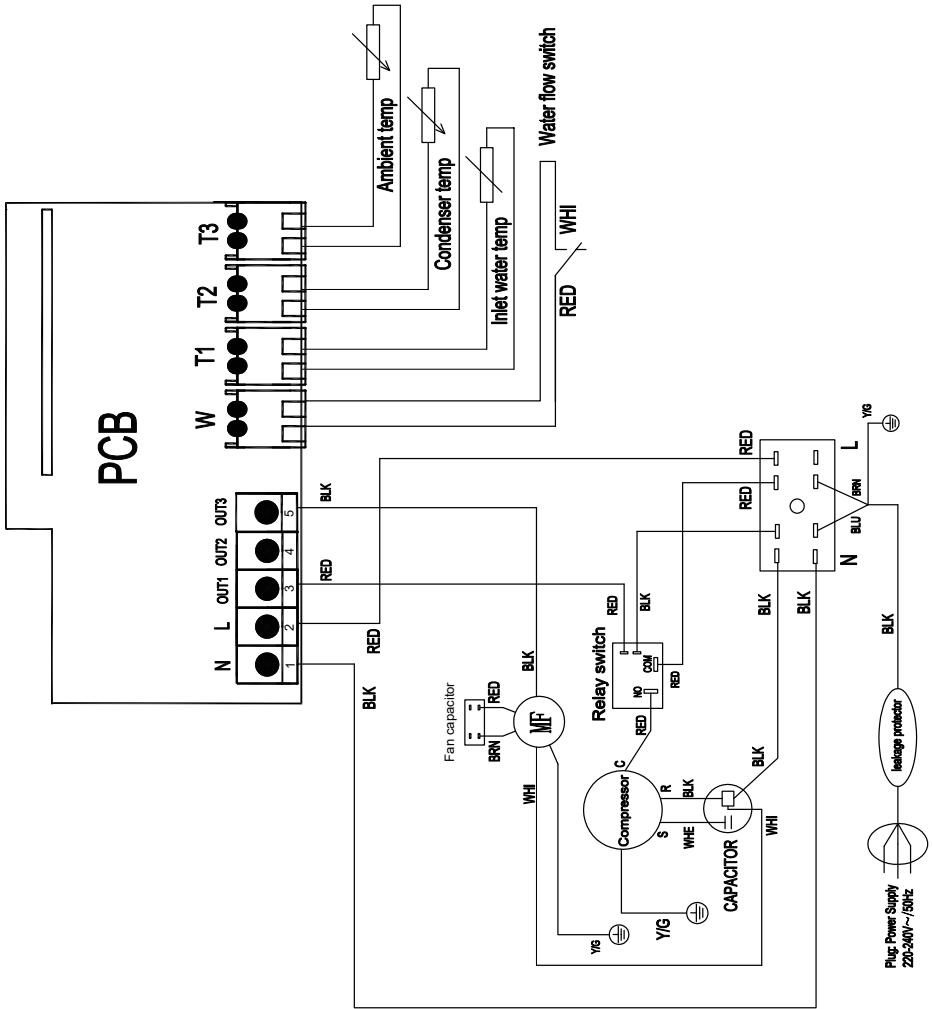
Sus datos podrán tratarse de acuerdo con la ley de protección de datos (Data Protection Act) de 6 de enero de 1978 y no se revelarán a terceros.

### **ADVERTENCIA:**

**La garantía contractual no puede validarse con el instalador ni con Poolstar si usted no ha registrado su producto en nuestro sitio web.**

# A. Annexes / Apéndices / Appendici

## A.1 Schémas de câblage de la carte électronique / Diagramas de cableado / Schemi di cablaggio



# Avvertenze



**Questa pompa di calore contiene un refrigerante infiammabile R32.**

**Qualsiasi intervento sul circuito frigorifero è vietato senza una valida autorizzazione. Prima di lavorare sul circuito del refrigerante, sono necessarie le seguenti precauzioni per un lavoro sicuro.**

## **1. Procedura di lavoro**

**Il lavoro deve essere eseguito secondo una procedura controllata, al fine di minimizzare il rischio di presenza di gas o vapori infiammabili durante l'esecuzione dei lavori.**

## **2. Area di lavoro generale**

**Tutte le persone della zona devono essere informate della natura dei lavori in corso. Evitare di lavorare in un'area ristretta. L'area intorno all'area di lavoro deve essere divisa, assicurata e deve essere prestata particolare attenzione alle fonti vicine di fiamme o di calore.**

## **3. Verifica della presenza di refrigerante**

**L'area deve essere controllata con un rilevatore di refrigerante adatto prima e durante il lavoro per garantire che non ci sia gas potenzialmente infiammabile. Assicurarsi che l'apparecchiatura di rilevamento delle perdite utilizzata sia idonea per i refrigeranti infiammabili, ovvero che non produca scintille, che sia adeguatamente sigillata o che abbia sicurezza interna.**

## **4. Presenza di estintore**

**Se devono essere eseguiti lavori a caldo sull'attrezzatura di refrigerazione o su qualsiasi parte associata, devono essere disponibili attrezzature di estinzione adeguate. Installare un estintore a polvere o CO2 vicino all'area di lavoro.**

## **5. Nessuna fonte di fiamma, calore o scintilla**

**È assolutamente vietato utilizzare una fonte di calore, fiamme o scintille nelle immediate vicinanze di una o più parti o tubazioni contenenti o contenenti un refrigerante infiammabile. Tutte le fonti di accensione, incluso il fumo, devono essere sufficientemente lontane dal luogo di installazione, riparazione, rimozione e smaltimento, durante i quali un refrigerante infiammabile può essere rilasciato nell'area circostante. Prima di iniziare il lavoro, l'ambiente dell'apparecchiatura deve essere controllato per garantire che non vi siano rischi di infiammabilità. I cartelli «No smoking» devono essere affissi.**

## **6. Area ventilata**

**Assicurarsi che l'area sia all'aria aperta o adeguatamente ventilata prima di intervenire sull'impianto o di eseguire lavori a caldo. Una certa ventilazione deve essere mantenuta durante la durata del lavoro.**

## **7. Controlli delle apparecchiature di refrigerazione**

**Quando i componenti elettrici vengono sostituiti, devono essere adatti allo scopo previsto e alle specifiche appropriate. È possibile utilizzare solo le parti del produttore. In caso di dubbi, consultare il servizio tecnico del produttore.**

**I seguenti controlli devono essere applicati agli impianti che utilizzano refrigeranti infiammabili:**

- La dimensione del carico è in accordo con le dimensioni della stanza in cui sono installate le stanze contenenti il refrigerante;
- La ventilazione e le prese d'aria funzionano correttamente e non sono ostruite;
- Se si utilizza un circuito di refrigerazione indiretto, è necessario controllare anche il circuito secondario.
- La marcatura sull'attrezzatura rimane visibile e leggibile. Segni e segni illeggibili devono essere corretti;
- I tubi o i componenti di refrigerazione sono installati in una posizione in cui è improbabile che possano essere esposti a una sostanza che potrebbe corrodere i componenti contenenti refrigerante

## **8. Verifica degli apparecchi elettrici**

**La riparazione e la manutenzione dei componenti elettrici devono includere i primi controlli di sicurezza e le procedure di ispezione dei componenti. Se c'è un difetto che potrebbe compromettere la sicurezza, nessun alimentatore deve essere collegato al circuito fino a quando il problema non viene risolto.**

**I controlli di sicurezza iniziali devono includere:**

- Che i condensatori siano scaricati: questo deve essere fatto in modo sicuro per evitare la possibilità di scintille;
- Nessun componente elettrico o cablaggio è esposto durante il caricamento, il recupero o lo spurgo dell'impianto del gas refrigerante;
- C'è continuità di messa a terra.

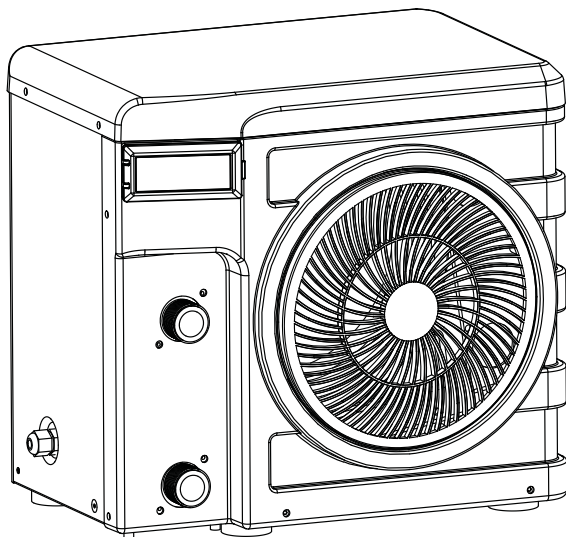
# Ringraziamenti

*Gentile cliente,*

*La ringraziamo per il Suo acquisto e per la Sua fiducia nei nostri prodotti.*

*Essi sono il risultato di anni di ricerche nella progettazione e produzione di pompe di calore per piscine. Il nostro scopo è di fornirLe un prodotto di qualità con prestazioni fuori dal comune.*

*Abbiamo preparato questo manuale con la massima cura affinché Lei possa sfruttare al meglio la Sua pompa di calore Poolex.*







# LEGGERE ATTENTAMENTE



**Le presenti istruzioni per l'installazione sono parte integrante del prodotto.  
L'utente deve fornirle all'installatore e conservarle.**

**In caso di perdita del manuale, consultare il sito:**

**[www.poolex.fr](http://www.poolex.fr)**

Le indicazioni e avvertenze contenute nel presente manuale vanno lette attentamente e comprese poiché forniscono importanti informazioni sulla manipolazione e sul funzionamento della pompa di calore in tutta sicurezza. **Il manuale va conservato in un luogo accessibile per facilitarne le successive consultazioni.**

**L'installazione deve essere effettuata da un professionista** conformemente alle norme vigenti e alle istruzioni del fabbricante. Un errore d'installazione può provocare lesioni fisiche a persone o animali e anche danni meccanici per i quali il fabbricante non può in nessun caso essere considerato responsabile.

**Dopo avere rimosso la pompa di calore dall'imballaggio, verificarne il contenuto per segnalare eventuali danni.**

Prima di collegare la pompa di calore, assicurarsi che le informazioni fornite dal presente manuale siano compatibili con le condizioni d'installazione effettive e non superino i limiti massimi autorizzati per questo prodotto.

**In caso di difetti e/o malfunzionamento della pompa di calore, staccarla dall'alimentazione elettrica** e non cercare di riparare il guasto.

La riparazione deve essere effettuata solo da un servizio di assistenza tecnica autorizzato, utilizzando parti di ricambio originali. Il mancato rispetto di quanto sopra può incidere negativamente sul funzionamento sicuro della pompa di calore.

Per garantire l'efficacia e il buon funzionamento della pompa di calore, è importante assicurarne la regolare manutenzione conformemente alle istruzioni fornite.

Nel caso in cui la pompa di calore venga venduta o ceduta, assicurarsi sempre che, insieme al materiale, venga trasmessa al nuovo proprietario tutta la documentazione tecnica.

Questa pompa di calore è solo adatta al riscaldamento di una piscina. Qualsiasi altro uso è considerato non idoneo, non corretto e persino pericoloso.

Tutte le responsabilità contrattuali o extracontrattuali del fabbricante / distributore saranno considerate decadute nel caso di danni provocati da errori di installazione o funzionamento o dal mancato rispetto delle istruzioni fornite nel presente manuale o delle norme d'installazione vigenti per l'attrezzatura oggetto del presente documento.

# Sommario

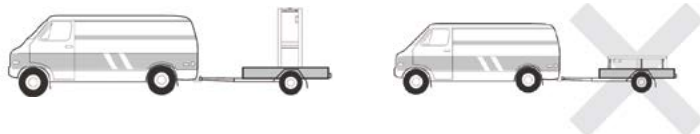
<b>1. Aspetti generali</b> .....	<b>4</b>
1.1 Condizioni generali di consegna.....	4
1.2 Istruzioni di sicurezza.....	4
1.3 Trattamento dell'acqua.....	5
<b>2. Descrizione</b> .....	<b>6</b>
2.1 Contenuto della confezione .....	6
2.2 Caratteristiche generali .....	6
2.3 Caratteristiche tecniche .....	7
2.4 Dimensioni dell'apparecchio.....	8
2.5 Disegno esploso.....	9
<b>3. Installazione</b> .....	<b>10</b>
3.1 Ubicazione .....	10
3.2 Schema d'installazione .....	11
3.3 Raccordo idraulico .....	11
3.4 Raccordo elettrico .....	11
<b>4. Uso</b> .....	<b>12</b>
4.1 Pannello di controllo .....	12
4.2 Modalità riscaldamento .....	13
4.3 Valori di stato e impostazioni avanzate .....	14
<b>5. Messa in servizio</b> .....	<b>16</b>
5.1 Messa in servizio .....	16
<b>6. Manutenzione e assistenza</b> .....	<b>17</b>
6.1 Manutenzione, assistenza e sbrinamento .....	17
<b>7. Riparazioni</b> .....	<b>18</b>
7.1 Guasti e anomalie .....	18
<b>8. Riciclaggio</b> .....	<b>19</b>
8.1 Riciclaggio della pompa di calore .....	19
<b>9. Garanzia</b> .....	<b>20</b>
9.1 Condizioni generali di garanzia .....	20
<b>A. Appendici</b> .....	<b>A</b>
A.1 Schemi di cablaggio .....	A

# 1. Aspetti generali

## 1.1 Condizioni generali di consegna

Tutto il materiale, anche franco trasporto e imballaggio, viaggia a rischio e pericolo del destinatario.

La persona responsabile della ricezione dell'apparecchio deve effettuare un controllo visivo per individuare eventuali danni subiti dalla pompa di calore durante il trasporto (circuito refrigerante, carrozzeria, scatola dei comandi elettrica, telaio). Se individuati dei danni avvenuti durante il trasporto, tale persona deve annotarli per iscritto sulla bolla di consegna dello spedizioniere e confermarli entro 48 ore per lettera raccomandata allo spedizioniere stesso.



L'apparecchio deve sempre essere conservato e trasportato in posizione verticale su un bancale e nell'imballaggio originario. Se è conservato o trasportato in posizione orizzontale, aspettare almeno 24 ore prima di collegarlo all'alimentazione elettrica.

## 1.2 Istruzioni di sicurezza



**ATTENZIONE: Leggere attentamente le istruzioni di sicurezza prima di utilizzare l'apparecchio. Le istruzioni riportate di seguito sono essenziali per la sicurezza e, pertanto, vanno seguite rigorosamente.**

### *Durante l'installazione e la manutenzione*

L'installazione, l'accensione, la manutenzione e la riparazione possono essere effettuate solo da una persona qualificata, conformemente alle norme vigenti.

Prima di effettuare qualsiasi intervento sull'apparecchio (installazione, messa in funzione, uso, manutenzione), la persona incaricata dovrà essere a conoscenza di tutte le istruzioni contenute nel manuale d'installazione della pompa di calore e delle caratteristiche tecniche.

L'apparecchio non va installato in nessun caso vicino a una fonte di calore, a materiali combustibili o a una presa d'aria dell'edificio.

Se la pompa di calore non viene posta in un luogo ad accesso limitato, è obbligatorio installare l'apposita griglia di protezione.

Al fine di evitare gravi ustioni, non calpestare le tubazioni durante l'installazione, la riparazione e la manutenzione.

Al fine di evitare gravi ustioni, prima di effettuare qualsiasi intervento sul circuito refrigerante, spegnere la pompa di calore e attendere qualche minuto prima di collocare i sensori di temperatura o di pressione.

Durante la manutenzione della pompa di calore, controllare il livello del fluido frigorigeno.

Verificare che i pressostati di alta e bassa pressione siano connessi correttamente al circuito refrigerante e che interrompano il circuito elettrico in caso di attivazione, durante il controllo annuale di tenuta dell'apparecchio.

Verificare che non vi siano tracce di corrosione o macchie d'olio attorno ai componenti del circuito refrigerante.

# 1. Aspetti generali

## *Durante l'uso*

Al fine di evitare gravi lesioni, non toccare mai il ventilatore quando è in moto.

Tenere la pompa di calore fuori dalla portata dei bambini al fine di evitare gravi lesioni provocate dalle pale dello scambiatore di calore.

Non mettere mai in moto l'apparecchio se non c'è acqua nella piscina o se la pompa di circolazione è ferma.

Se necessario, verificare la portata dell'acqua ogni mese e pulire il filtro.

## *Durante la pulizia*

Staccare l'apparecchio dall'alimentazione elettrica.

Chiudere le valvole di ingresso e uscita dell'acqua.

Non introdurre nulla nelle prese d'entrata e uscita dell'aria o dell'acqua.

Non sciacquare l'apparecchio con getti d'acqua.

## *Durante la riparazione*

Effettuare gli interventi sul circuito refrigerante secondo le norme di sicurezza vigenti.

La brasatura deve essere effettuata da un saldatore qualificato.

In caso di sostituzione di un componente refrigerante difettoso, utilizzare solo parti certificate dal nostro centro tecnico.

In caso di sostituzione di tubazioni, per la riparazione possono essere usati solo tubi di rame conformi alla norma NF EN12735-1.

Durante le prove sotto pressione per individuare eventuali perdite:

Per evitare il rischio di incendi o esplosioni, non usare mai ossigeno o aria secca.

Utilizzare azoto secco o un misto di azoto e refrigerante.

La pressione di prova alta e bassa non deve superare i 42 bar.

## 1.3 **Trattamento dell'acqua**

Le pompe di calore per piscine Poolex possono essere usate con tutti i sistemi di trattamento dell'acqua.

Tuttavia, è assolutamente necessario che il sistema di trattamento (pompe dosatrici Cl, pH, Br e/o elettrolizzatore) sia installato dopo la pompa di calore nel circuito idraulico.

**Per evitare il deterioramento della pompa di calore, il pH dell'acqua deve essere mantenuto fra 6,9 e 8,0.**

# 2. Descrizione

## 2.1 Contenuto della confezione

- ✓ La pompa di calore Poolex Nano Action R32
- ✓ 2 raccordi idraulici ingresso/ uscita 32 / 38 mm di diametro
- ✓ Il presente manuale d'installazione e d'uso
- ✓ **4 pattini antivibrazioni**

## 2.2 Caratteristiche generali

La pompa di calore Poolex ha le seguenti caratteristiche:

- Un dispositivo con certificazione CE conforme alla direttiva europea RoHS.
- Alte prestazioni che consentono di risparmiare fino all'80% di energia rispetto a un sistema di riscaldamento classico.
- Un fluido frigorifero R32 ecologico, pulito ed efficace.
- Un compressore, di un marchio leader, affidabile e ad alte prestazioni.
- Un evaporatore largo in alluminio idrofilo per un utilizzo a basse temperature.
- Un scatola di controllo intuitivo di facile utilizzo.
- Un alloggiamento ultrasensibile, con trattamento anti-UV e di facile manutenzione.
- Studiata per essere silenziosa

## 2. Descrizione

### 2.3 Caratteristiche tecniche

		3 kW	4kW	5kW
Aria <sup>(1)</sup> 26°C Acqua <sup>(2)</sup> 26°C	Potenza termica (W)	3 010	4 200	5 010
	Consumo (W)	540	760	910
	<b>COP (Coeff. di prestazione)</b>	<b>5,61</b>	<b>5,50</b>	<b>5,50</b>
Aria <sup>(1)</sup> 15°C Acqua <sup>(2)</sup> 26°C	Potenza termica (W)	2210	3 100	4 030
	Consumo (W)	540	760	1 000
	<b>COP (Coeff. di prestazione)</b>	<b>4,09</b>	<b>4,08</b>	<b>4,03</b>
Alimentazione	220-240V ~ 50Hz			
Potenza massima (W)	930	1 200	1 500	
Corrente massima (A)	4,15	5,32	6,65	
Intervallo di temperatura di riscaldamento	15°C ~ 40°C			
Intervallo di funzionamento	8°C ~ 43°C			
Dimensioni dell'apparecchio L×L×A (mm)	385 x 400 x 280			
Peso dell'apparecchio (kg)	18	24	26	
Dimensioni della confezione L×L×A (mm)	415 x 460 x 370			
Peso della confezione (kg)	20	28	30	
Livello di pressione sonora a 10m (dBA) <sup>(3)</sup>	<32	<35	<36	
Raccordo idraulico (mm)	PVC 32 / 38mm			
Scambiatore di calore	Cisterna in PVC e serpentina in titanio			
Portata d'acqua min. (m³/ora)	1,3	2	2,5	
Tipo di compressore	Rotatif			
Refrigerante	R32			
Contenuto refrigerante (kg)	0,15	0,3	0,35	
GWP	675			
CO2 equivalent	0,10	0,203	0,337	
Indice IP di resistenza all'acqua	IPX4			
Perdita di carico (mCE)	0,8			
Volume mass. della piscina (m³) <sup>(4)</sup>	≤21	≤28	≤35	
Pannello di controllo	Schermo di controllo retroilluminato			
Modalità	Riscaldamento			

Le caratteristiche tecniche delle nostre pompe di calore sono fornite a titolo indicativo. Ci riserviamo il diritto di modificarle senza preavviso.

<sup>1</sup> Temperatura ambiente dell'aria

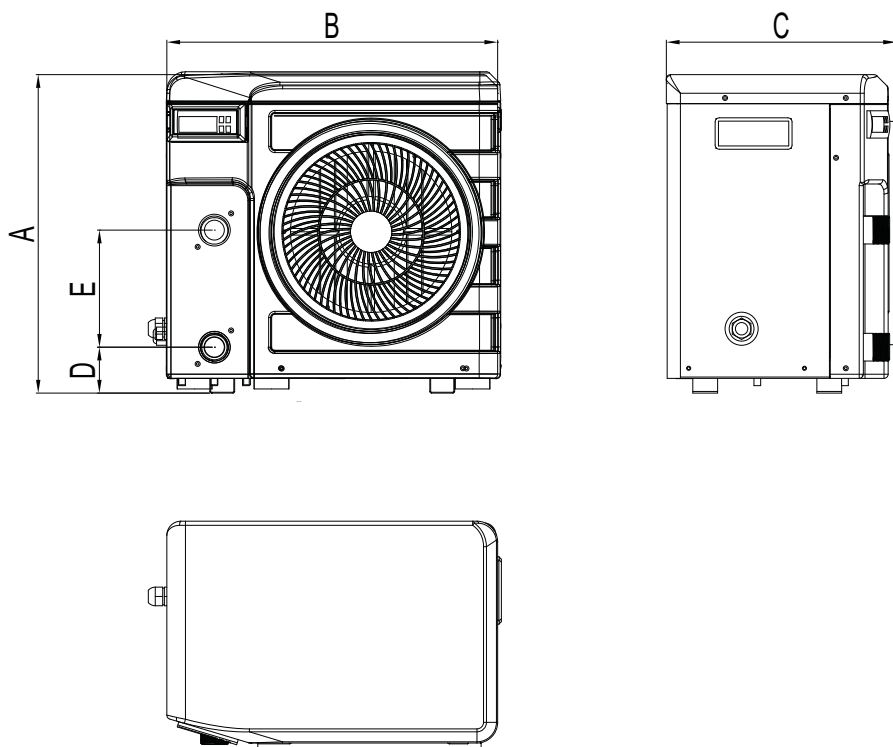
<sup>2</sup> Temperatura iniziale dell'acqua

<sup>3</sup> Rumore a 10 m secondo le Direttive EN ISO 3741 e EN ISO 354

<sup>4</sup> Calcolato per una piscina privata interrata con copertura a bolle.

## 2. Descrizione

### 2.4 Dimensioni dell'apparecchio

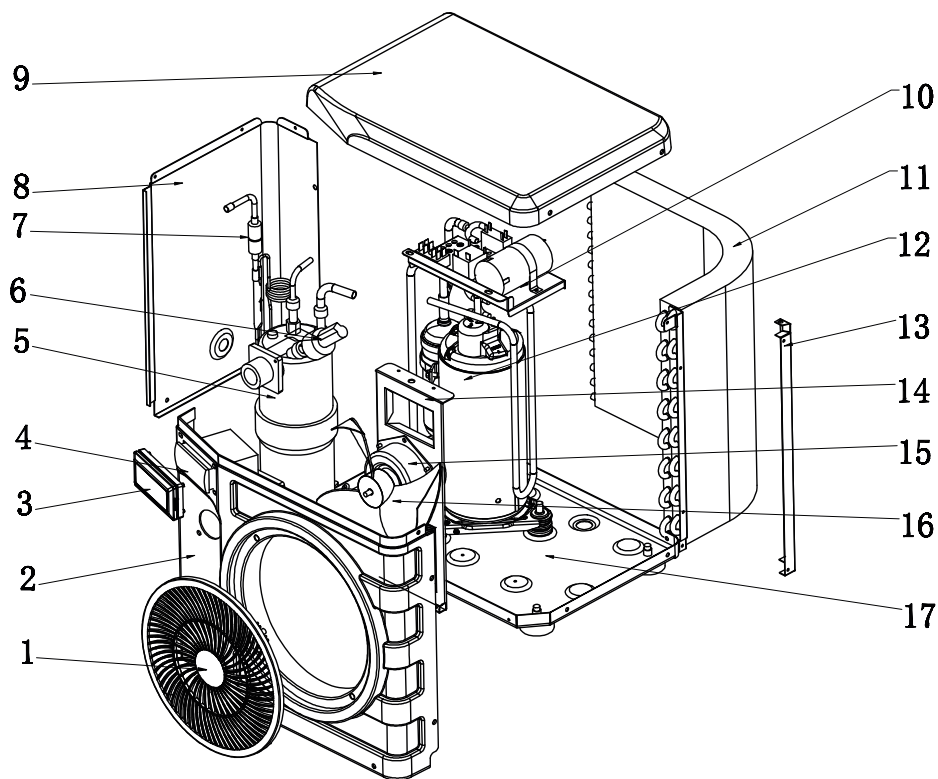


Dimensioni in mm

Nano Action 3 kW / 4 kW / 5 kW	
A	385
B	400
C	280
D	52
E	140

## 2. Descrizione

### 2.5 Disegno esploso



1. Griglia di protezione del ventilatore
2. Pannello anteriore
3. Pannello di controllo
4. Pannello di controllo
5. Scambiatore di calore
6. Sensore di flusso
7. Flussostato
8. Pannello sinistro
9. Pannello superiore

10. Centralina elettrica
11. Evaporatore
12. Compressore
13. Telaio di montaggio
14. Supporto del ventilatore
15. Motore del ventilatore
16. Pala del ventilatore
17. Telaio

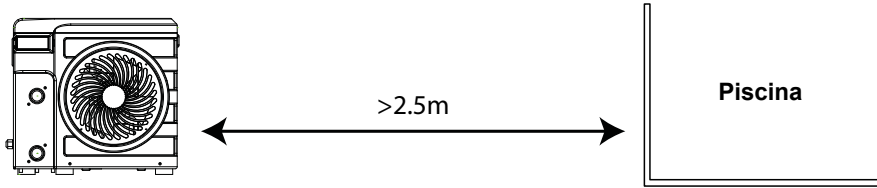


# 3. Installazione

**La pompa di calore è molto facile da installare e richiede solo il collegamento al circuito idraulico e un'alimentazione elettrica**

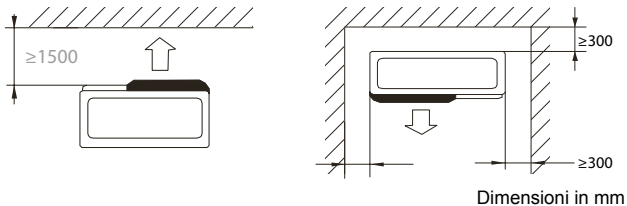
## 3.1 Ubicazione

La pompa di calore deve essere posizionata ad almeno 2,5 metri dalla piscina.



**Osservare le seguenti regole per scegliere l'ubicazione della pompa di calore**

1. Il luogo in cui verrà posto l'apparecchio deve essere facilmente accessibile per agevolare l'utilizzo e la manutenzione.
2. L'apparecchio deve essere installato al suolo e, preferibilmente, posato su una superficie piana di cemento livellata. Assicurarsi che la superficie sia sufficientemente stabile e che possa sostenere il peso dell'apparecchio.
3. Controllare che l'apparecchio sia correttamente ventilato, che la bocchetta di uscita dell'aria non sia diretta verso le finestre degli edifici limitrofi e che non sia possibile il ritorno dell'aria di scarico. Inoltre, lasciare uno spazio sufficiente intorno all'apparecchio per le operazioni di assistenza e manutenzione.
4. L'apparecchio non deve essere installato in un ambiente esposto a olio, gas infiammabili, prodotti corrosivi, composti solforosi o vicino ad apparecchi ad alta frequenza.
5. Per evitare spruzzi di fango, non installare l'apparecchio vicino a una strada o un sentiero.
6. Per evitare di disturbare i vicini, installare l'apparecchio in modo che sia orientato verso la zona meno sensibile al rumore.
7. Tenere l'apparecchio quanto più fuori possibile dalla portata dei bambini.

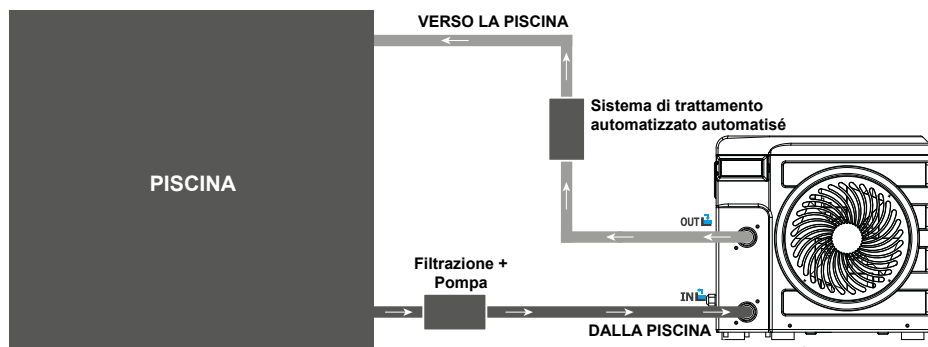


**Non collocare nulla a meno di 1,50 m di fronte alla pompa di calore.  
Lasciare uno spazio vuoto di 30 cm ai lati e dietro la pompa di calore.**

**Non lasciare nessun ostacolo sopra o di fronte all'apparecchio!**

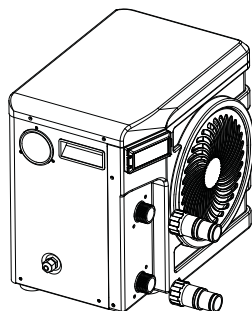
# 3. Installazione

## 3.2 Schema d'installazione



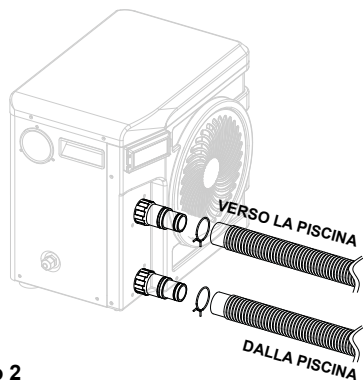
Il filtro a monte della pompa di calore deve essere pulito regolarmente affinché l'acqua del circuito sia pulita e, in tal modo, si evitino problemi di funzionamento dovuti alla sporcizia o all'intasamento del filtro.

## 3.3 Raccordo idraulico



### Passo 1

Avvitare i raccordi sulla pompa di calore



### Passo 2

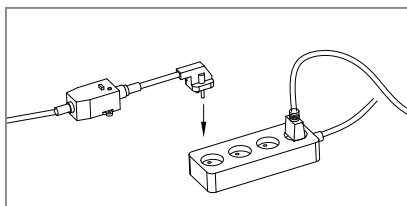
Collegare i tubi di ingresso e di uscita d'acqua

## 3.4 Raccordo elettrico

La presa elettrica della pompa di calore incorpora un interruttore differenziale da 10 mA.

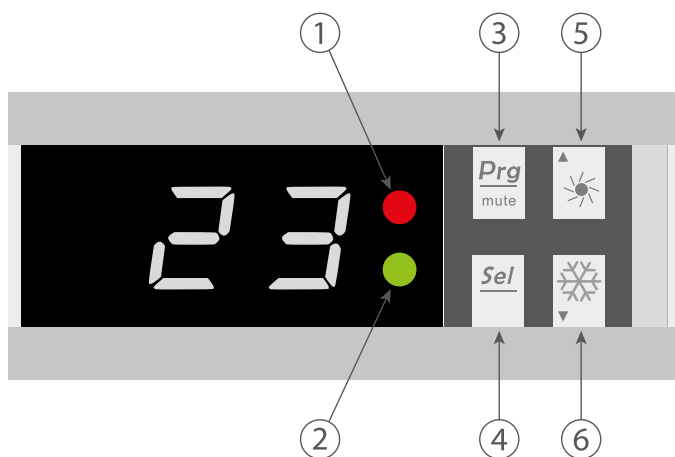
Prima di collegare la pompa di calore, assicurarsi che la presa elettrica sia correttamente messa a terra.

La pompa di filtraggio deve funzionare contemporaneamente alla pompa di calore. Pertanto, collegarli allo stesso circuito elettrico.



# 4. Uso

## 4.1 Pannello di controllo




- |                                  |              |        |
|----------------------------------|--------------|--------|
| 1. Indicador de encendido        | 3. ON/OFF    | 5. (+) |
| 2. Indicador de descongelamiento | 4. Selezione | 6. (-) |



# 4. Uso

## 4.2 Modalità riscaldamento



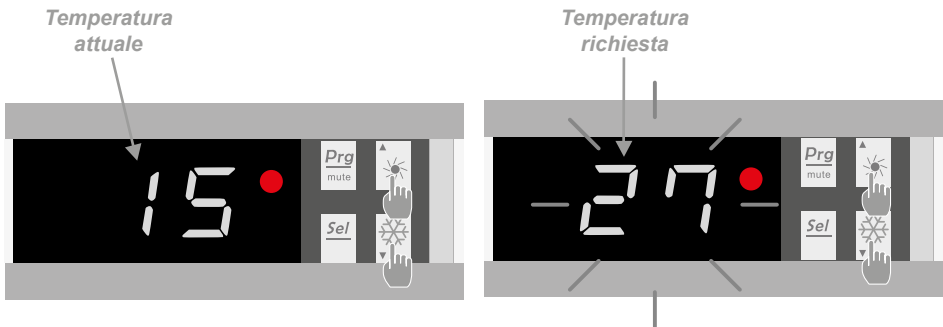
**ATTENZIONE:** Prima di iniziare, accertarsi che la pompa di filtrazione funzioni correttamente.

**Passo 1 :** Premere  per mettere in moto la pompa.

**Passo 2 :** Con i tasti  e  selezionare la temperatura desiderata.

ESEMPIO:

Se la temperatura attuale è di 15°C, il valore predefinito è di 27°C e la temperatura desiderata è di 30°C.



### Informazioni utili sul funzionamento della modalità riscaldamento


Quando la temperatura dell'acqua in ingresso è inferiore o uguale alla temperatura richiesta (temp. nominale) -X°C, la pompa di calore passa in modalità riscaldamento. Il compressore si ferma quando la temperatura dell'acqua in ingresso è superiore o uguale alla temperatura richiesta (temp. nominale).

#### Indicatori per il campo di regolazione X

X : parametro regolabile da 1° a 15°C, l'impostazione predefinita è 3°C. (Parametro N°6)

# 4. Uso


## 4.3 Valori di stato e impostazioni avanzate

 **ATTENZIONE:** Questa operazione serve a facilitare l'assistenza e le riparazioni future. Solo un professionista esperto è abilitato a modificare le impostazioni predefinite.



Le impostazioni del sistema possono essere controllate e regolate con il telecomando, seguendo questi passi


**Passo 1 :** Tenere premuto  fino ad arrivare alla modalità di verifica delle impostazioni.


**Passo 2 :** Premere  e  per vedere le impostazioni.

**Passo 3 :** Premere  per selezionare l'impostazione da modificare.

*Attenzione: certe impostazioni non possono essere modificate. Per ulteriori informazioni, consultare la tabella delle impostazioni.*

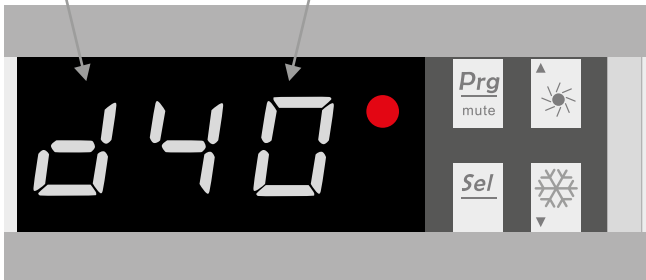
**Passo 4 :** Premere  e  per regolare il valore dell'impostazione.

**Passo 5 :** Premere  per registrare il nuovo valore.

**Passo 6 :** Premere  per tornare alla schermata principale.

Parametro d

Valore 40



# 4. Uso

**Tabella delle impostazioni**

N°	Descrizione	Campo di regolazione	Impostazione di fabbrica	Osservazioni
A	Temperatura d'ingresso dell'acqua	-19~99°C		Dati effettivi
b	Temperatura di uscita dell'acqua	-19~99°C		Dati effettivi
c	Temperatura dell'aria ambiente	-19~99°C		Dati effettivi
d	Temperatura predefinita	15~40°C	27°C	Regolabile
E	Tempo di auto-attivazione dello sbrinamento	10~80 min	40 min	Regolabile
F	Durata massima dello sbrinamento	10~40 min	30 min	Regolabile
H	Regolazione della differenza di temperatura per il riavvio	1~10°C	3°C	Regolabile
J	Riavvio automatico	0 = OFF 1 = ON	1	Regolabile
O	Protezione antigelo - bassa temperatura dell'aria	0~15°C	8°C	Regolabile
P	Temperatura dell'evaporatore per l'attivazione dello sbrinamento	-19°C~0°C	-3°C	Regolabile
U	Temperatura evaporatore per arresto sbrinamento	1~30°C	20°C	Regolabile
t	Riservato: non modificare			Reserved

# 5. Messa in servizio

## 5.1 Messa in servizio

### Condizioni d'uso


**Affinché la pompa di calore funzioni normalmente, la temperatura ambiente dell'aria deve essere compresa tra 8°C e 43°C.**

### Raccomandazioni preliminari

Prima della messa in servizio della pompa di calore:

- ✓ Accertarsi che l'apparecchio sia stabile.
- ✓ Verificare il corretto funzionamento della sua installazione elettrica.
- ✓ Accertarsi che i raccordi idraulici siano ben stretti e che non vi siano perdite d'acqua.
- ✓ Rimuovere qualsiasi oggetto inutile o attrezzo dall'area circostante l'apparecchio.

### Messa in servizio

1. Collegare la presa elettrica dell'apparecchio.
2. Attivare la pompa di filtrazione.
3. Attivare la protezione dell'alimentazione elettrica dell'apparecchio (interruttore differenziale situato sul cavo di alimentazione).
4. Attivare la pompa di calore premendo una volta .
5. Selezionare la temperatura desiderata.
6. Il compressore della pompa di calore si attiva dopo qualche istante.

Ora basta aspettare che venga raggiunta la temperatura desiderata.



**ATTENZIONE:** In condizioni normali, una pompa di calore adeguata scalda l'acqua della vasca di 1°C fino 2°C al giorno. È, quindi, del tutto normale non avvertire una differenza di temperatura nel sistema quando la pompa di calore è in moto.

**Una piscina riscaldata deve essere coperta per evitare dispersioni di calore.**

# 6. Manutenzione e assistenza

## 6.1 Manutenzione, assistenza e sbrinamento



**ATTENZIONE: Prima di effettuare la manutenzione sull'apparecchio, accertarsi di averlo staccato dall'alimentazione elettrica.**

### Pulizia

L'alloggiamento della pompa di calore deve essere pulito con un panno umido. L'uso di detergenti e altri prodotti domestici potrebbe danneggiare la superficie dell'alloggiamento e alterarne le proprietà.

L'evaporatore nella parte posteriore della pompa di calore deve essere pulito con attenzione con un'aspirapolvere a spazzole morbide.

### Manutenzione annuale

Le seguenti operazioni vanno eseguite da una persona qualificata almeno una volta all'anno.

- ✓ Effettuare i controlli di sicurezza
- ✓ Controllare che i cavi elettrici siano intatti.
- ✓ Controllare il collegamento della messa a terra.
- ✓ Controllare lo stato del manometro e la presenza del fluido frigorigeno

### Sbrinamento

Vostra pompa di calore è progettata per funzionare in tutte le condizioni atmosferiche. Tuttavia, non è consigliato lasciarla fuori per lunghi periodi di tempo (ad esempio durante l'inverno). Dopo aver svuotato la piscina per l'inverno, smontare la pompa di calore e sistemarla in un luogo pulito e asciutto.



# 7. Riparazioni



**ATTENZIONE:** In condizioni normali, una pompa di calore adeguata scalda l'acqua della vasca di 1°C fino 2°C al giorno. È, quindi, del tutto normale non avvertire una differenza di temperatura nel sistema quando la pompa di calore è in moto.  
Una piscina riscaldata deve essere coperta per evitare dispersioni di calore.

## 7.1 Guasti e anomalie

In caso di problemi, la schermata della pompa di calore visualizza un codice di errore invece delle indicazioni di temperatura. Consultare la tabella disotto per trovare le possibili cause di un'anomalia e i relativi interventi.

Codice	Errore	Possibili cause	Intervento
P1	Malfunzionamento del sensore della temperatura dell'acqua in ingresso	Il sensore è collegato male	Ricollegare il sensore
		Il sensore è difettoso	Sostituire il sensore
		La scatola di controllo è difettosa	Sostituire la scatola di controllo
P3	Malfunzionamento del sensore di temperatura dell'evaporatore	Stesse cause di P1	Stessi interventi di P1
P5	Malfunzionamento del sensore della temperatura esterna		
P7	Protezione antigelo	La protezione si attiva quando la temperatura ambiente è troppo bassa	Non è necessario alcun intervento
E3	Malfunzionamento del sensore di portata	Quantità d'acqua insufficiente nello scambiatore di calore	Controllare il funzionamento del circuito d'acqua
		Sensore della portata d'acqua difettoso	Sostituire il contattore della portata d'acqua
		La scatola di controllo è difettosa	Sostituire la scatola di controllo
	La pompa di calore non funziona	Quantità d'acqua insufficiente nello scambiatore di calore	Controllare il funzionamento del circuito d'acqua
		La scatola di controllo è difettosa	Sostituire la scatola di controllo

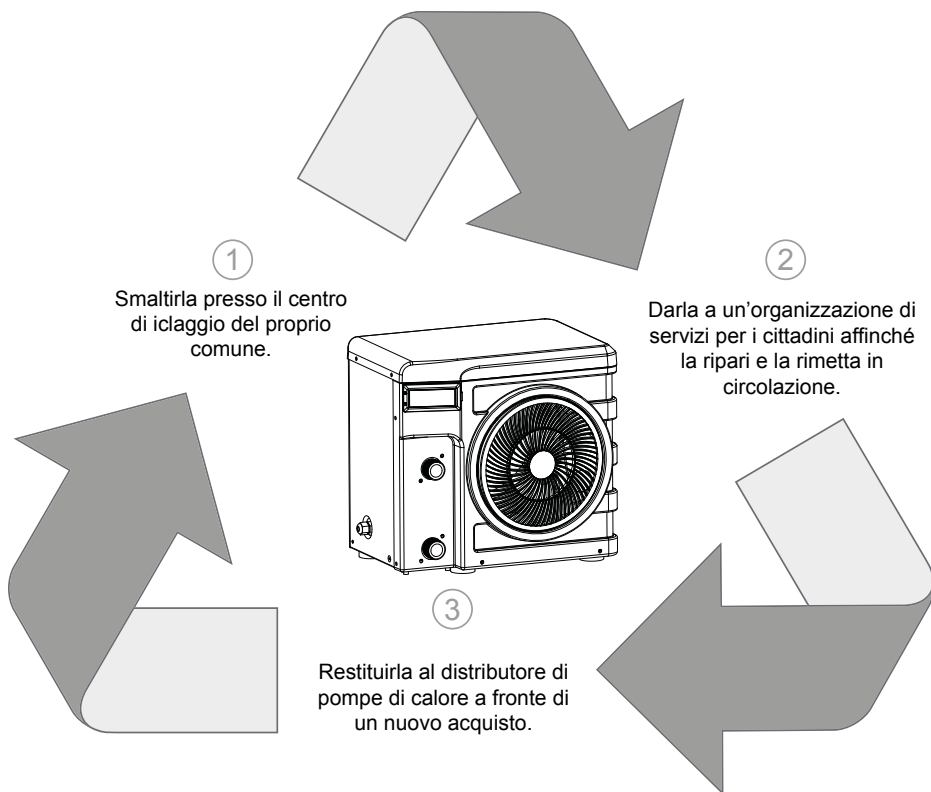
# 8. Riciclaggio

## 8.1 Riciclaggio della pompa di calore

L'apparecchio è a fine vita e si desidera gettarlo o sostituirlo. Non gettarlo nel cestino della spazzatura.

Una pompa di calore deve essere smaltita a parte per essere eventualmente riutilizzata, riciclata o adeguata. Contiene sostanze potenzialmente nocive per l'ambiente ma che vengono eliminate o neutralizzate dal riciclaggio.

**VI SONO TRE SOLUZIONI:**



# 9. Garanzia

## 9.1 Condizioni generali di garanzia

La società Poolstar fornisce al proprietario originario una garanzia di due (2) anni contro i difetti nei materiali e di fabbricazione della pompa di calore Poolex Nano R32.

Il compressore ha una garanzia di cinque (5) anni.

Lo scambiatore di calore con tubi in titanio ha una garanzia di quindici (15) anni contro la corrosione chimica, salvo in caso di danni dovuti al gelo.

Gli altri componenti del condensatore sono garantiti per due (2) anni.

La garanzia entra in vigore alla data della prima fattura.

La garanzia non si applica nei casi seguenti:

- Malfunzionamento o danno derivante da un'installazione, da un utilizzo o da una riparazione non conforme alle istruzioni di sicurezza.
- Malfunzionamento o danni dovuti ad agenti chimici non idonei per la piscina.
- Malfunzionamento o danni dovuti a condizioni non idonee all'uso dell'apparecchio.
- Danni dovuti a negligenza, a un incidente o a cause di forza maggiore.
- Malfunzionamento o danno derivante dall'uso di accessori non autorizzati.

Le riparazioni nel periodo di garanzia devono essere approvate prima di essere effettuate e affidate a un tecnico autorizzato. La garanzia decade se l'apparecchio viene riparato da una persona non autorizzata dalla società Poolstar.

Le parti in garanzia saranno sostituite o riparate a discrezione di Poolstar. Le parti difettose devono essere rese ai nostri laboratori durante il periodo di garanzia per essere prese in consegna. La garanzia non copre le spese di manodopera o sostituzione non autorizzate. La resa delle parti difettose non è coperta dalla garanzia.

Gentile Signora/ Gentile Signore,

**Una domanda? Un problema? O semplicemente registra il tuo  
garanzia, trovaci sul nostro sito:**

**<http://support.poolex.it/>**

La ringraziamo della Sua fiducia  
e Le auguriamo un buon bagno.

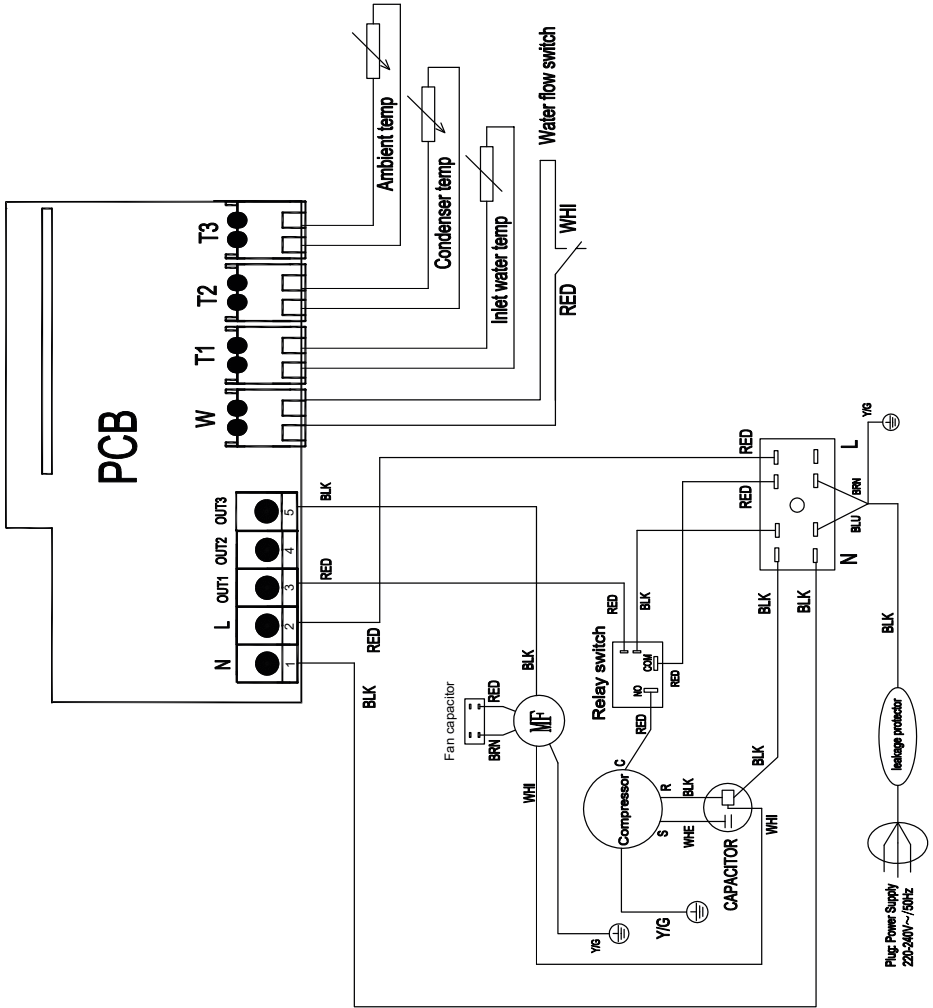
I Suoi dati potrebbero essere trattati conformemente alla legge Informatique et Liberté (normativa francese in materia di tutela della privacy) del 6 gennaio 1978 e non saranno divulgati a terzi.

### ATTENZIONE:

**La garanzia contrattuale potrà essere convalidata presso l'installatore o Poolstar solo se il prodotto è stato registrato nel nostro sito Internet.**

# A. Annexes / Apéndices / Appendici

## A.1 Schémas de câblage de la carte électronique / Diagramas de cableado / Schemi di cablaggio



# **POOLEX**



ASSISTANCE TECHNIQUE  
SERVICIO TÉCNICO  
ASSISTENZA TECNICA

**[www.poolex.fr](http://www.poolex.fr)**



User manual  
Gebrauchsanweisung  
Gebruikshandleiding  
Mode d'emploi

# POOL LADDER

48IN  
122 CM



**Important safety rules:** Before installing and using this product read, understand, follow all instructions carefully and keep it for future reference!

**Wichtige sicherheitsregeln:** Bevor Sie dieses Produkt installieren und verwenden lesen, verstehen und beachten Sie sorgfältig alle anweisungen, und für künftige bezugnahme aufbewahren!

**Belangrijke veiligheidsvoorschriften:** Voor installatie en gebruik, zorg dat u alle instructies aandachtig leest, begrijpt, naleeft en bewaar dit document voor latere inzage.

**Règles importantes de sécurité:** Lisez, comprenez et suivez attentivement toutes les instructions avant d'installer et d'utiliser ce produit! Conserver pour consultation ultérieure!



4

**English**



5

**Deutsch**



20

**Nederlands**



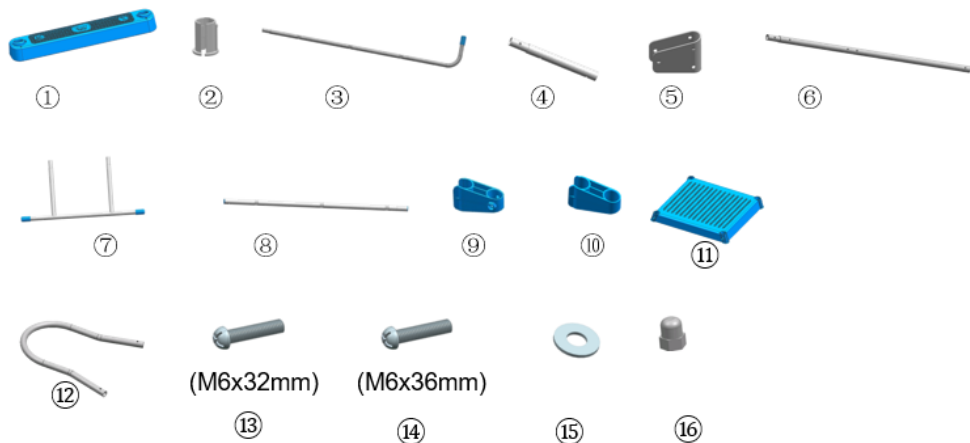
35

**Français**



50

## 1.0 Part reference



**NOTE:** Drawing for illustration purpose only. Actual product may vary. Not to scale. Before assembling your pool, layout and review the contents to become familiar with all the parts you will be using during the assembly:

**HINWEIS:** Die Zeichnungen dienen nur der Illustration. Das tatsächliche Produkt könnte etwas anders aussehen. Nicht maßstabsgetreu. Bevor Sie Ihren Pool zusammenbauen, breiten Sie den angelieferten Inhalt aus und überprüfen Sie ihn, um sich mit allen Teilen, die Sie während der Montage benötigen, vertraut zu machen:

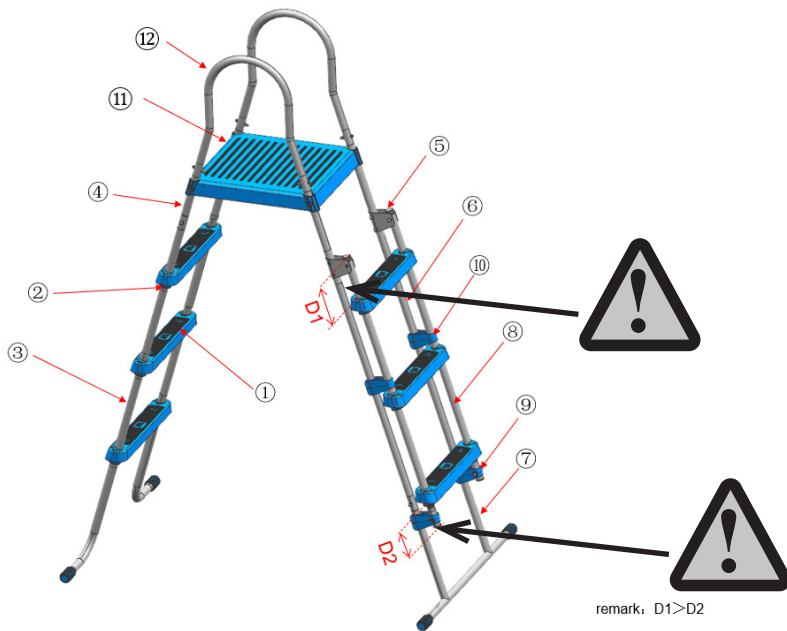
**OPMERKING:** de tekening is uitsluitend bedoeld voor illustratiedoeleinden. Het werkelijke product kan verschillen. Niet volgens schaal. Voordat u het zwembad monteert, moet u de inhoud openleggen en controleren zodat u de onderdelen die u bij de montage zult gebruiken, leert kennen:

**REMARQUE :** Dessin à but d'illustration uniquement. Le produit réel peut varier. N'est pas à l'échelle. Avant de monter votre piscine, disposez et passez en revue le contenu pour vous familiariser avec toutes les pièces que vous utiliserez pendant le montage.

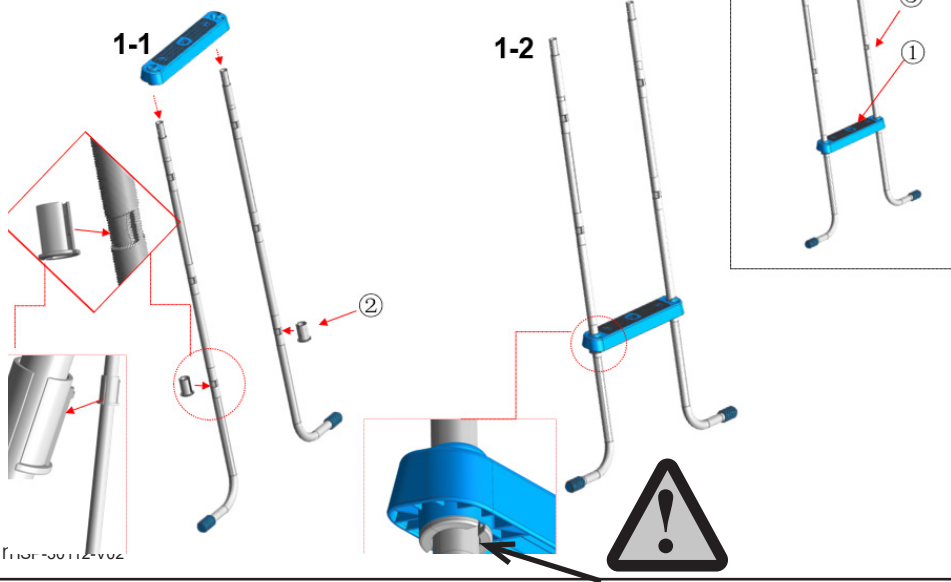
Part	Item no.	#
1	395238	6
2	395239	12
3	395254	2
4	395255	2
5	395242	2
6	395256	2
7	395244	1
8	395245	2
9	395246	2
10	395247	2
11	395257	1
12	395249	2
13	395250	8
14	395251	12
15	395252	40
16	395253	20



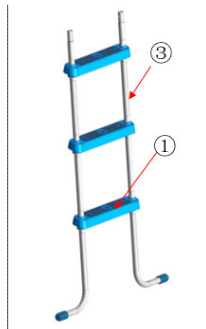
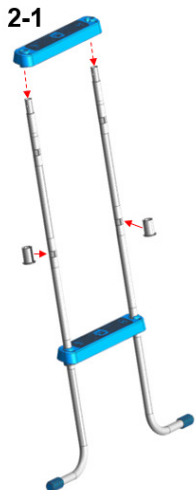
!



1.



## 2.

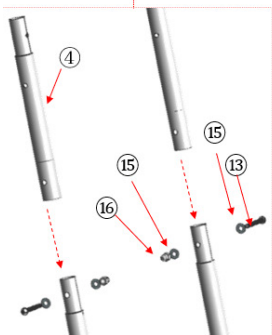
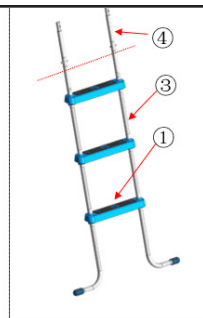
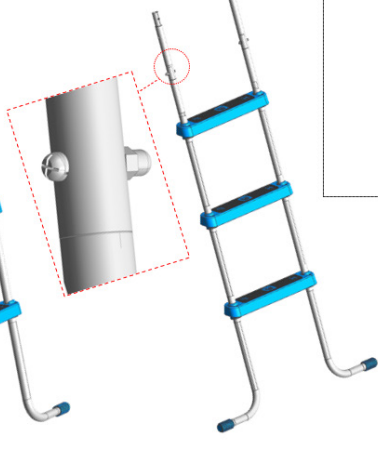


## 3.

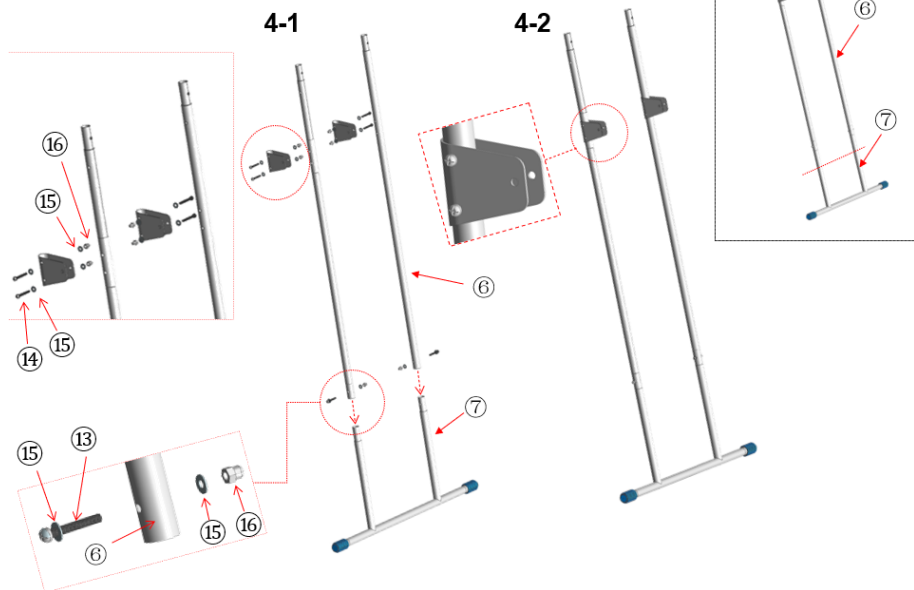
3-1



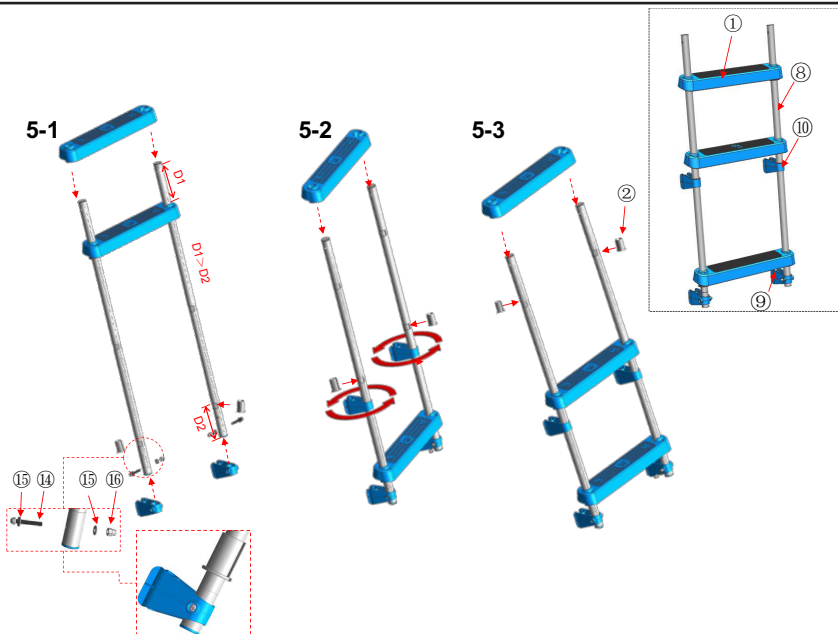
3-2



# 4.

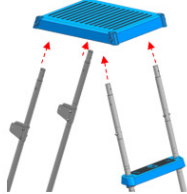


# 5.

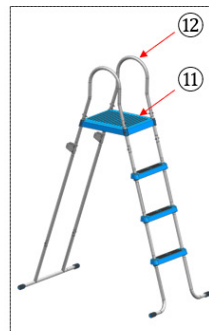
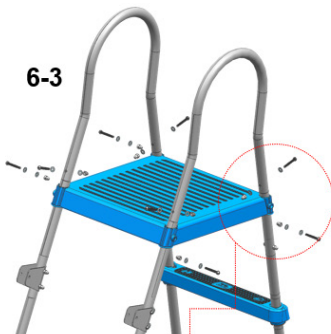


# 6.

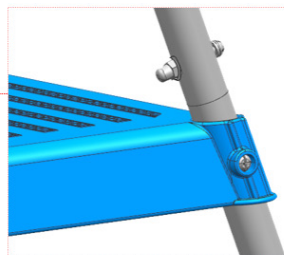
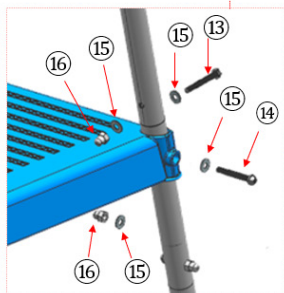
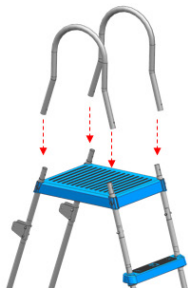
6-1



6-3

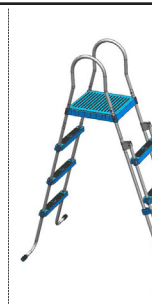
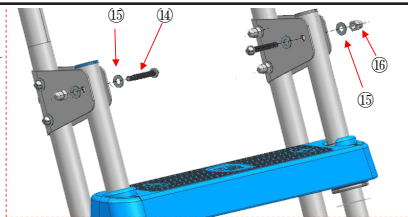
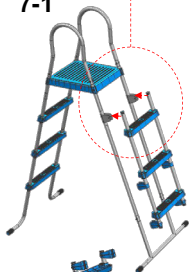


6-2

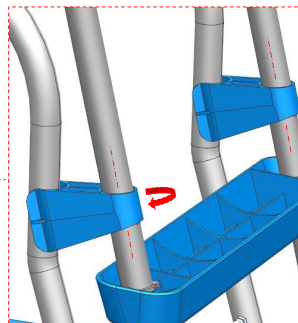
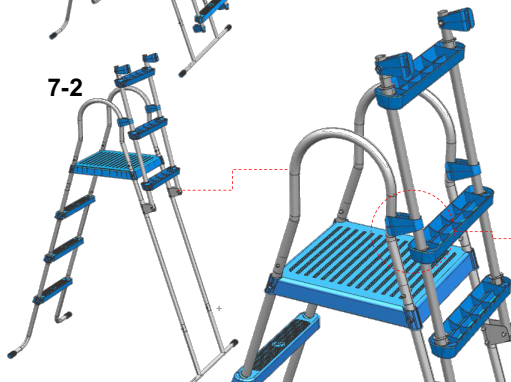


# 7.

7-1



7-2





## 2.0 Introduction

Congratulations on choosing a EXIT Toys Pool Ladder!

### **Have fun, be active and play outdoors.....**

That's what keeps driving us to develop innovative, quality toys for cool kids and parents.

We do everything possible to develop safe products for children. As our products are classed as toys, we comply with the toughest consumer safety regulations. Before launching our products onto the market, we have independent tests carried out for certification. We also continuously test our production runs and periodically have independent tests performed again as a further check. Only products which live up to the highest EXIT Toys standard are marked with and recognized by the EXIT-brand.

"We want to thank you for your custom and your confidence in this product. We're sure your kids will have as much fun as we did during development. Being open-minded, we really appreciate all comments and ideas which will help us improve our products or develop new ones. You are invited to send your ideas to us at [info@exittoys.com](mailto:info@exittoys.com)"

Please visit [www.exittoys.com](http://www.exittoys.com) and discover more cool new products.

The EXIT Toys team

### 3.0 Guidelines for safe use



**WARNING:** Failure to follow these warnings may result in broken bones, entrapment, paralysis, drowning or other serious injuries.

- 1). Supervise children and those with disabilities at all times.
- 2). Always assist children when they use the ladder to avoid falls and/or serious injury.
- 3). Never dive or jump from this ladder.
- 4). Locate the ladder on a level, solid base.
- 5). One person on this ladder at a time.
- 6). Maximum load: 300 lbs (136 kg). Complies with EN16582 strength requirements.
- 7). Face the ladder at all times for entry/exit of pool.
- 8). Remove and secure ladder when pool is not occupied.
- 9). Do not swim under, through or behind ladder.
- 10). Check all nuts and bolts regularly to ensure ladder stays sturdy.
- 11). If swimming at night use artificial lighting to illuminate all safety signs, ladders, pool floor and walkways.
- 12). Assembly and disassembly by adults only.
- 13). This ladder is designed and manufactured for a specific pool wall height and/ or deck of the pool. Do not use with other pools.
- 14). Failure to follow the maintenance instructions and warnings may result in adverse health effects or injury, particularly to children.
- 15). Only use this ladder for the purposes described in this manual.

These product warnings, instructions and safety rules provided with the product represent some common risks of water recreation devices and do not cover all instances of risk and danger. Please use common sense and good judgment when enjoying any water activity.



## 4.0 Care and usage

- 1). Store ladder in safe and dry place.
- 2). Never store any materials on ladder.
- 3). Keep ladder clean and free of all foreign materials.
- 4). Do periodic maintenance on screws, when the ladder is not in use, put some anti-rust oil on them.
- 5). Do not use the ladder in the temperature below -5°C
- 6). Recommend to remove pool ladder from the swimming pool during the off season(winter months).
- 7). Disassemble all the components and dry thoroughly.
- 8). Store in a dry location out of children's reach

## 5.0 Limited warranty

**We** warrant all components contained in this Pool ladder against defects in materials and workmanship under normal use and service, for a period of 90 days from the date of purchase for the original owner only.

**If** any of the components have been consumer-replaced, damaged, or misused, the corresponding warranty on those components is invalidated. In this situation, you will be advised of the cost of replacement parts and processing instructions.

**If** a verifiable manufacturing defect is found during the relevant time period, we agree to replace at its option any product under warranty provided proper proof of purchase is presented.

**This** limited warranty is not valid if the product is used for commercial purposes, or if the damage is caused by an accident, consumer misuse, neglect or abuse, vandalism, improper use of chemicals, exposure to extreme weather conditions or negligence during product set up or disassembly.

**We** cannot be held responsible for the cost of installation, labor, or transportation expenses incurred due to the replacement of defective parts. This limited warranty, furthermore, does not cover any unauthorized alterations to the product.



## 2.0 Einführung

Glückwunsch zur Wahl des EXIT Toys Pool Ladder!

### **Amüsier dich, sei aktiv und spiele im Freien!**

Für diesen Spaß entwickeln wir innovative und hochwertige Spielzeuge für coole Kids.

Wir tun alles in unserer Macht stehende, um sichere Produkte für Kinder zu entwickeln. Da unsere Produkte als Spielzeuge klassifiziert werden, erfüllen wir die strengsten Sicherheitsvorschriften. Bevor unsere Produkte auf dem Markt kommen, veranlassen wir die Durchführung von unabhängigen Prüfungen zur Zertifizierung. Außerdem kontrollieren wir selbst ständig unsere Produktionsabläufe und lassen diese als weitere Kontrolle regelmäßig durch unabhängige Stellen überprüfen. Nur Produkte, die den höchsten EXIT Toys Standards gerecht werden, werden mit dem EXIT Toys label gekennzeichnet.

Wir danken Ihnen für Ihr Vertrauen in dieses Produkt. Und wir sind sicher, dass Ihre Kinder genau viel Spaß haben werden wie wir ihn während der Entwicklung hatten. Da wir aufgeschlossen sind, schätzen wir wirklich all Ihre Kommentare und Ideen, die uns bei der Verbesserung unserer Produkte bzw. bei der Entwicklung neuer Spielzeuge helfen. Sie sind herzlich eingeladen, uns Ihre Ideen unter [info@exittoys.com](mailto:info@exittoys.com) zu senden.

Besuchen Sie [www.exittoys.com](http://www.exittoys.com) und entdecken Sie weitere tolle neue Produkte.

Das EXIT Toys Team



## 3.0 Sicherheitsanweisungen



**WARNUNG: Die Nichtbeachtung dieser Warnungen kann zu Knochenbrüchen, Einklemmen, Lähmungen, Ertrinken oder anderen schweren Verletzungen führen.**

**Wichtige sicherheitvorschriften** Lesen und befolgen Sie alle Anweisungen, bevor Sie das Produkt in Betrieb nehmen!

- 1). Lassen Sie Kinder und Menschen mit Behinderung nie unbeaufsichtigt.
- 2). Bitte unterstützen und beaufsichtigen Sie Kinder bei der Benützung der Leiter, um Stürze bzw. ernsthafte Verletzungen zu vermeiden!
- 3). Springen oder tauchen Sie nicht von dieser Leiter.
- 4). Stellen Sie die Leiter auf eine ebene, solide Standfläche.51).Die Leiter kann immer nur von einer Person benutzt werden.
- 5). Maximale Tragkraft: 136 kg. Entspricht den Belastungsanforderungen der Norm EN16582.
- 6). Halten Sie die Leiter für den Ein- und Ausstieg stets griffbereit.
- 7). Entfernen und verstauen Sie die Leiter, wenn der Pool nicht benützt wird.
- 8). Nicht unter die Sprossen der Leiter tauchen und nicht hinter die Leiter und nicht in den Pool springen. Es besteht bei seichtem Wasser große Gefahr.
- 9). Überprüfen Sie alle Schrauben und Bolzen um sicher zu stellen, dass die Leiter stabil ist und sicher steht.
- 10). Wenn Sie das Pool in der Nacht benutzen, sollten Sie Leitern, Stufen und Wege beleuchten.
- 11). Darf nur von Erwachsenen zusammen- und auseinander gebaut werden.
- 12). Diese Leiter wurde für eine bestimmte Poolwandhöhe gefertigt. Nicht mit anderen Pools verwenden.
- 13). Die Nichteinhaltung der Wartungsempfehlungen kann eine große Gefahr für die Gesundheit darstellen, besonders für Kinder.
- 14). Die Leiter darf nur für die Zwecke verwendet werden, die in dieser Anleitung angeführt werden.

## 4.0 Pflege und Gebrauch

- 1). Bewahren Sie die Treppe an einem sicheren und trockenen Ort auf.
- 2). Lagern Sie keine Materialien auf der Treppe.
- 3). Halten Sie die Treppe sauber und frei von Fremdkörpern.
- 4). Führen Sie regelmäßige Wartungsarbeiten an den Schrauben durch. Wenn die Leiter nicht verwendet wird, tragen Sie etwas Rostschutzöl auf.
- 5). Verwenden Sie die Leiter nicht bei Temperaturen unter  $-5\text{ ° C}$ . - Es wird empfohlen, die Poolleiter bei Nichtgebrauch (Wintermonate) aus dem Pool zu entfernen.
- 6). Alle Teile zerlegen und gut trocknen.
- 7). Bewahren Sie sie an einem trockenen Ort außerhalb der Reichweite von Kindern auf.

## 5.0 Limited warranty

**Wir** sichern einzig dem Originaleigentümer eine Garantie gegen Material- und Ausführungsfehlern für einen Zeitraum von 90 Tagen ab dem Kaufdatum bei normaler Verwendung und Wartung auf sämtliche Komponenten zu, die in diesem Set Pool enthalten sind (mit Ausnahme der Filterpumpe).

**Falls** Einzelteile vom Besitzer ausgetauscht, beschädigt oder zweckentfremdet wurden, erlischt die entsprechende Garantie für diese Einzelteile. In diesem Fall werden Ihnen die Kosten für die Ersatzteile und die weiteren Vorgehensweisen mitgeteilt.

**Bei** nachweislichen Herstellungsmängeln reparieren wir sämtliche Produkte innerhalb der Garantiezeit oder tauschen sie (nach unserem Ermessen) aus, sofern ein dazugehöriger Kaufbeleg vorgelegt wird.

**Diese** eingeschränkte Garantie gilt nicht, wenn das Produkt kommerziell eingesetzt wurde oder die Schäden aufgrund von Unfällen, höherer Gewalt, Missbrauch, Fahrlässigkeit, Vandalismus, falschem Einsatz von Chemikalien, extremer Witterung oder Fahrlässigkeit bei der Montage oder Demontage eintraten.

**Wir** haften nicht für Installationskosten, Arbeitsaufwand oder Transportkosten, die beim Austausch von defekten Teilen entstehen. Zudem gilt diese eingeschränkte Garantie nicht für unautorisierte Modifikationen am Produkt.



## 2.0 Introductie

Gefeliciteerd met de aanschaf van uw Pool Ladder van EXIT Toys!

### **Pret maken, actief leven en buiten spelen.....**

Dat is onze motivatie om innovatief en kwalitatief speelgoed te ontwikkelen voor coole kinderen.

We doen er alles aan om producten te ontwikkelen die veilig zijn voor kinderen. Aangezien onze producten worden geclassificeerd als speelgoed, voldoen we aan de strengste normen op het vlak van consumentveiligheid. Voordat we een product op de markt brengen, laten we onafhankelijke tests uitvoeren voor de vereiste certificaten. We voeren ook voortdurend controles uit tijdens de productie en we laten regelmatig nieuwe onafhankelijke tests uitvoeren als extra controle. Enkel de producten die voldoen aan de strengste normen van EXIT Toys krijgen het EXIT Toys merk.

Wij stellen het zeer op prijs dat u bij ons klant bent en danken u voor het vertrouwen in dit product. We zijn er zeker van dat uw kinderen evenveel van dit product zullen genieten als wij tijdens de ontwikkeling ervan. Omdat we open staan voor uw mening, zijn uw opmerkingen en ideeën steeds welkom zodat we onze producten nog kunnen verbeteren en nieuwe kunnen ontwikkelen. Neem daarom gerust contact op via [info@exittoys.com](mailto:info@exittoys.com).

Bezoek de wereld van EXIT Toys op [www.exittoys.com](http://www.exittoys.com) en ontdek ook onze andere stoere en nieuwe buitenspeel producten.

Het team van EXIT Toys

### 3.0 Belangrijke veiligheidvoorschriften



**WAARSCHUWING: Het negeren van deze waarschuwing kan resulteren in gebroken botten, verknelling, bewusteloosheid, verdrinking of andere ongevallen.**

- 1). Houd ten allen tijden toezicht op kinderen en gehandicapten.
- 2). Help kinderen altijd als ze de ladder gebruiken om valpartijen en/of ernstige verwondingen te voorkomen.
- 3). Onder geen omstandigheden mag er van deze trap gesprongen of gedoken worden.
- 4). Plaats de trap op een egale, stevige ondergrond.
- 5). Één persoon op de trap per keer.
- 6). Maximaal draaggewicht: 136 kg. Voldoet aan de EN16582 sterkte eisen.
- 7). Plaats de trap ten allen tijden enkel voor het betreden van het zwembad.
- 8). Verplaats of berg de trap op wanneer het zwembad niet in gebruik is.
- 9). Zwem niet onder, door of achter de trap.
- 10). Controleer alle schroeven en bouten regelmatig om er zeker van te zijn dat de trap ten allen tijden stevig is.
- 11). Als u zwemt na zonsondergang zorgt u dan voor verlichting die alle veiligheidsaanwijzingen, de trap, de bodem van het bad en de loopbaden duidelijk zichtbaar maken.
- 12). Montage en demontage enkel door volwassenen laten verrichten.
- 13). Deze ladder is ontworpen en gefabriceerd voor een specifieke zijhoogte van een zwembad en/of dek van het zwembad. Niet gebruiken met andere zwembaden.
- 14). Het niet opvolgen van de instructies in de gebruiksaanwijzing kan resulteren in ongelukken, specifiek voor kinderen.
- 15). Gebruik deze trap enkel voor doeleinden beschreven in deze gebruiksaanwijzing.

De waarschuwingen, instructies en veiligheidsaanwijzingen, die bij dit product worden bijgeleverd, wijzen slechts op algemene gevaren, die met water recreatie verband houden en nooit op alle specifieke risico's en gevaren. Gebruik uw gezond verstand en helder oordeel bij alle vormen van activiteiten in het water. Lees, begrijp en volg dan ook alle aanwijzingen nauwkeurig op vóór installatie en gebruik.

## 4.0 Verzorging en gebruik

- 1). Bewaar de trap op een veilige en droge plaats.
- 2). Bewaar geen materialen op de trap.
- 3). Houd de trap schoon en vrij van vreemde materialen.
- 4). Voer periodiek onderhoud uit op de schroeven, wanneer de ladder niet in gebruik is, plaatst u wat antiroestolie erop.
- 5). Gebruik de ladder niet bij een temperatuur van minder -5°C - Het is aanbevolen de zwembadladder uit het zwembad te nemen als u het niet gebruikt (wintermaanden).
- 6). Demonteer alle onderdelen en droog ze goed af.
- 7). Bewaar ze op een droge locatie buiten het bereik van kinderen.

## 5.0 Beperkte Garantie

**We** bieden voor alle componenten van deze Pool Ladder een garantie tegen defecten in materialen en werkuitvoering, gedurende een periode van 90 dagen vanaf de aankoopdatum, bij normaal gebruik en service, alleen voor de originele koper.

**Zijn** er onderdelen door de gebruiker vervangen, beschadigd of onjuist gebruikt, dan is de garantie op die onderdelen ongeldig. In dat geval zullen we u informeren over de prijs van vervangingsonderdelen en de verdere instructies.

**Als** gedurende de relevante tijdsperiode een verifieerbare fabrieksfout wordt gevonden, gaan wij als optie van de garantie voor een product ermee akkoord om het te repareren of te vervangen, mits het juiste aankoopbewijs wordt getoond.

**Deze** beperkte garantie is niet geldig als het product voor commerciële doeleinden wordt gebruikt, of bij schade door een ongeluk, natuurramp, verkeerd gebruik, verwaarlozing of misbruik, vandalisme, onjuist gebruik van chemicaliën, blootstelling aan extreme weersomstandigheden of verwaarlozing tijdens het instellen of demonteren van het product.

**Wij** kunnen niet aansprakelijk worden gesteld voor de kosten van installatie, werkzaamheden of transportkosten die zich door vervanging van defecte onderdelen voordoen. Verder dekt deze beperkte garantie geen onbevoegde wijzigingen die aan het product zelf worden uitgevoerd.

## 2.0 Introduction

Vous venez de faire l'acquisition du EXIT Pool Ladder; nous vous en félicitons!

### **S'amuser, être actif et jouer dehors.....**

Nous faisons tout notre possible pour développer des produits sûr pour les enfants. Étant donné que nos produits sont classés comme étant des jouets, nous nous conformons aux réglementations de sécurité des consommateurs les plus rigoureuses. Avant de commercialiser nos produits, nous faisons réaliser des tsts indépendants en vue d'obtenir la certification. Nous testons également en continu nos cycles de production et faisons régulièrement réaliser des tests indépendants à titre de contrôle supplémentaire. Seuls les produits qui se montrent à la hauteur de la norme EXIT Toys la plus rigoureuse sont porteurs de l'étiquette EXIT Toys.

Nous souhaitons vous remercier pour l'achat de ce produit et pour votre fidélité. Nous sommes sûrs que vos enfants s'amuseront autant que nous nous sommes amusés durant la phase de développement. Nous sommes très ouverts et preneurs de tous les commentaires et idées qui pourraient nous aider à améliorer nos produits et à en développer de nouveaux. Vous êtes invités à nous envoyer vos idées à [info@exittoys.com](mailto:info@exittoys.com).

Découvrez le monde de EXIT Toys, ses produits de divertissement branchés et ses nouveautés sur [www.exittoys.com](http://www.exittoys.com).

L'équipe EXIT Toys.

### 3.0 Consignes de sécurité importantes



**AVERTISSEMENT: le non-respect de ces avertissements peut entraîner des fractures, un piégeage, une paralysie, une noyade ou d'autres blessures graves.**

- 1). Surveillez les enfants et les personnes handicapées à tous les instants.
- 2). Pour éviter les chutes et les blessures, aidez toujours les enfants quand ils utilisent l'échelle.
- 3). Ne plongez ou sautez jamais depuis l'échelle.
- 4). Installez l'échelle sur un terrain solide et de niveau.
- 5). Une seule personne à la fois sur l'échelle.
- 6). Charge maximum : 300 lbs (136 kg). Conforme aux exigences de charge de la EN16582.
- 7). Soyez face à l'échelle à tout moment pour entrer ou sortir de la piscine.
- 8). Enlevez et empêchez l'utilisation de l'échelle lorsque la piscine n'est pas occupée.
- 9). Ne nagez pas dessous, entre ou derrière l'échelle.
- 10). Vérifiez régulièrement l'état des écrous et des boulons pour vous assurez que l'échelle est en bon état.
- 11). Si vous vous baignez de nuit, utilisez une lumière artificielle pour éclairer tous les sigles de sécurité, l'échelle, le fond et les chemins d'accès de la piscine.
- 12). Le montage et le démontage de ce produit doivent être réalisés par un adulte.
- 13). Cette échelle est conçue et fabriquée pour une hauteur spécifique de la paroi d'une piscine et/ou pour le deck de la piscine. Ne pas utiliser avec d'autres piscines.
- 14). Le non-respect des consignes d'entretien peut engendrer des risques graves pour la santé notamment celle des enfants.
- 15). Utilisez seulement cette échelle aux fins décrites dans ce manuel d'utilisation.

## 4.0 Entretien et utilisation

- 1). Ranger l'échelle en endroit sûr et sec.
- 2). Ne ranger aucun autre matériel avec l'échelle.
- 3). Préserver l'échelle de tout autre matériau.
- 4). Pour la maintenance périodique des vis, lorsque l'échelle n'est
- 5). pas en cours d'utilisation, lubrifier les vis avec un peu d'anti-rouille.
- 6). Ne pas utiliser l'échelle lorsque la température est inférieure à -5°C
- 7). Il est conseillé de retirer l'échelle de la piscine hors saison (en hiver). Démontez tous les composants et séchez-les soigneusement. Rangez dans un lieu sec hors de portée des enfants.

## 5.0 Entretien et utilisation

**Nous** garantissons tous les composants de cette échelle de piscine contre les défauts de matériaux et de fabrication dans des conditions normales d'utilisation pendant une période de 90 jours à compter de la date d'achat uniquement au propriétaire d'origine.

**Si** certains composants sont remplacés, endommagés ou mal utilisés par le consommateur, la garantie sur ces composants sera annulée. Dans cette situation, vous serez tenu informé du coût des pièces détachées et des frais de manutention.

**Si** un défaut de fabrication vérifiable est découvert dans le délai approprié, nous réparerons ou remplacerons tout produit sous garantie à notre seule discrétion, à condition qu'une preuve d'achat adéquate soit fournie.

**Cette** garantie limitée n'est pas valide si le produit est utilisé à des fins commerciales, ou si les dommages sont causés par un accident, une catastrophe naturelle, un abus de consommateur, une négligence ou un abus extrême, du vandalisme, une utilisation inappropriée de l'exposition, une utilisation abusive fautive ou basée sur le Web, une mauvaise utilisation, une mauvaise utilisation. -of-the-zeighedwa-balingwa mis en place pour décomposer le produit.

**Nous** ne pouvons être tenus responsables des frais d'installation, de main-d'œuvre ou de transport encourus à la suite du remplacement des pièces défectueuses. De plus, cette garantie limitée ne couvre pas les modifications non autorisées du produit.





Contact:  
Dutch Toys Group  
Edisonstraat 83, 7006RB, Doetinchem , the Netherlands  
P.O. Box 369, 7000AJ, Doetinchem, the Netherlands

[info@exittoys.com](mailto:info@exittoys.com)  
[www.exittoys.com](http://www.exittoys.com)

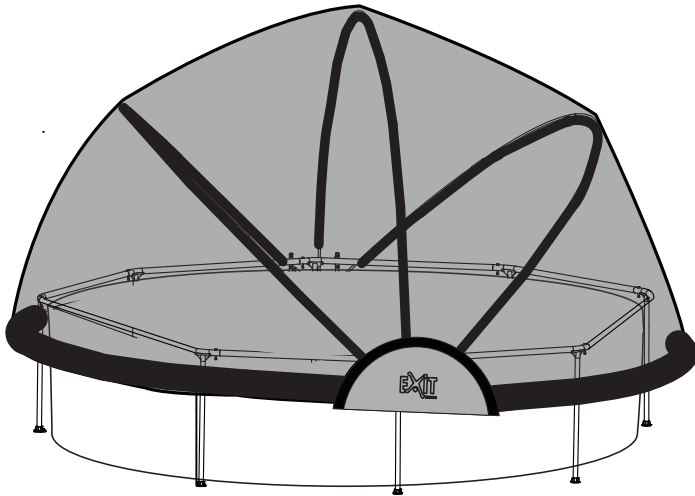
*EXIT is a registered trade mark of Dutch Toys Group*



User manual  
Gebrauchsanweisung  
Gebruikshandleiding  
Mode d'emploi

# ROUND POOL ENCLOSURE 2.44 & 3.0 & 3.6M

8FT & 10FT & 12FT



**Important safety rules:** Before installing and using this product read, understand, follow all instructions carefully and keep it for future reference!

**Wichtige sicherheitsregeln:** Bevor Sie dieses Produkt installieren und verwenden lesen, verstehen und beachten Sie sorgfältig alle anweisungen, und für künftige bezugnahme aufbewahren!

**Belangrijke veiligheidsvoorschriften:** Voor installatie en gebruik, zorg dat u alle instructies aandachtig leest, begrijpt, naleeft en bewaar dit document voor latere inzage.

**Règles importantes de sécurité:** Lisez, comprenez et suivez attentivement toutes les instructions avant d'installer et d'utiliser ce produit! Conserver pour consultation ultérieure!



4

**English**



15

**Deutsch**



18

**Nederlands**



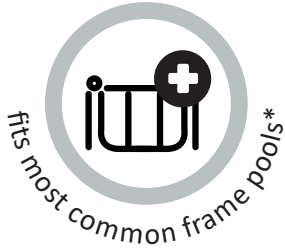
21

**Français**

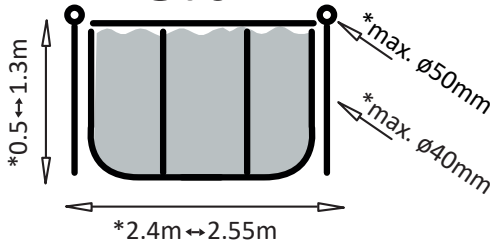


24

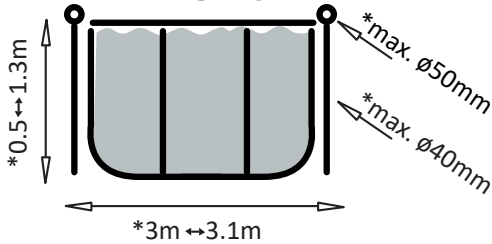
# 1.0 Instructions



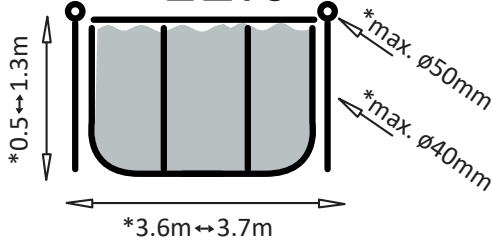
**\* 8ft**



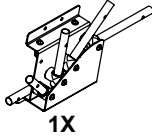
**\*\* 10ft**



**\*\*\* 12ft**



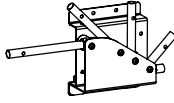
1



1X

PF5000

2



1X

PF5001

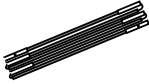
3



4X

PD1032

4



5X

PD1066\*  
PD1026\*\*  
PD1022\*\*\*

5



1X

PD1067\*  
PD1027\*\*  
PD1021\*\*\*

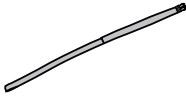
6



2X

PD1068\*  
PD1028\*\*  
PD1024\*\*\*

7



1500mm  
\*4X  
8X

PF1008

8



\*2X  
4X

PF1009

9



\*2X  
4X

PD1114

PD1906\*  
PD1905

10



M6XR25  
4X

PD1030

11



M6X30mm  
4X

PD1033

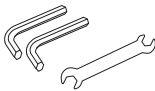
12



M6XR30  
4X

PD1115

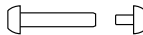
13



1X

TOOLS

14



M8X32mm  
2X

PD1034

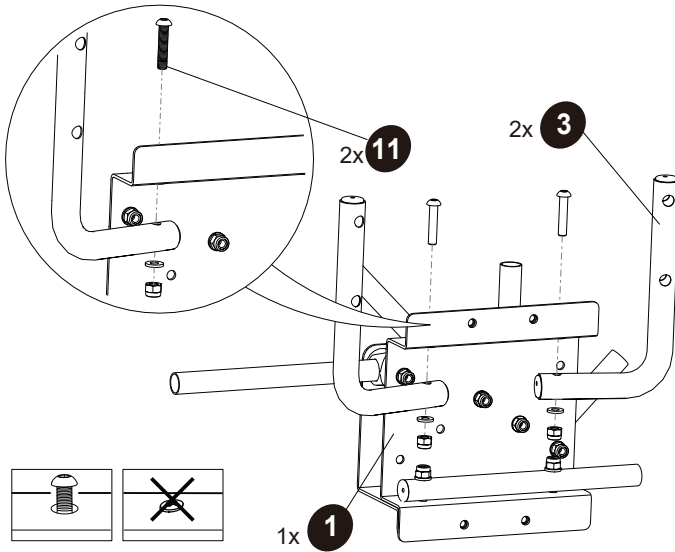
PD1904

\* Round Frame Pool Dome 8ft

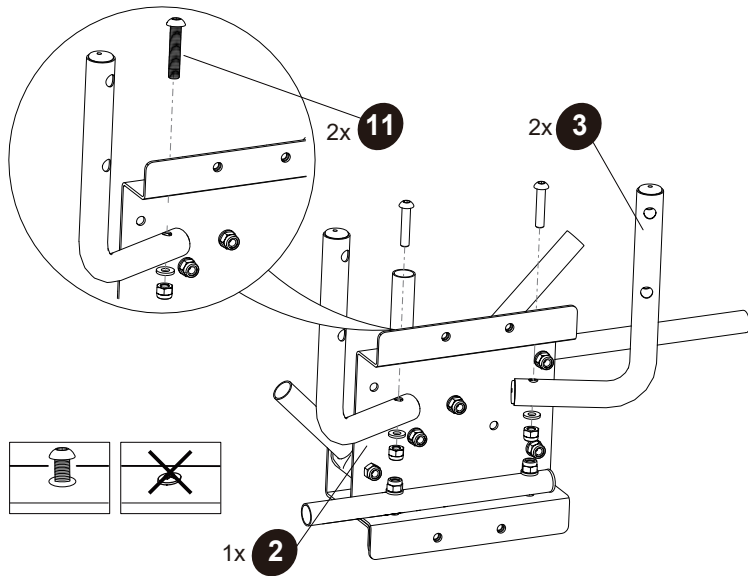
\*\* Round Frame Pool Dome 10ft

\*\*\* Round Frame Pool Dome 12ft

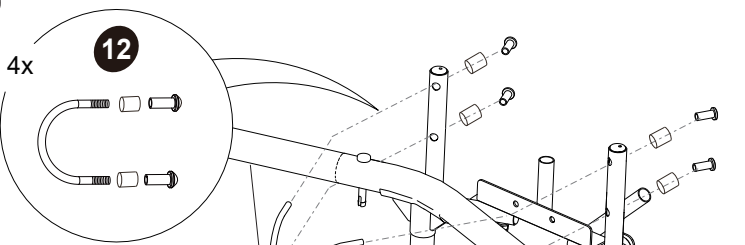
1



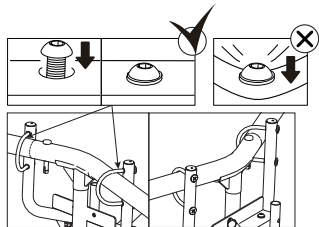
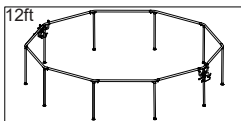
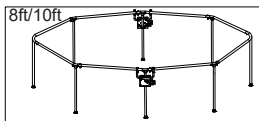
2



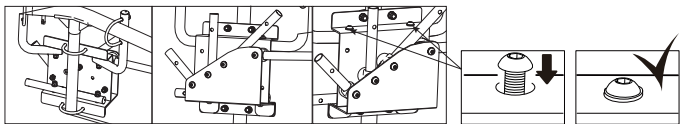
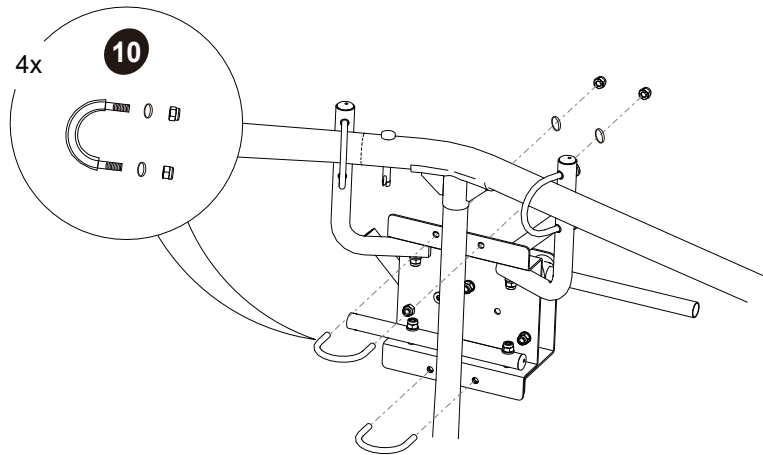
3



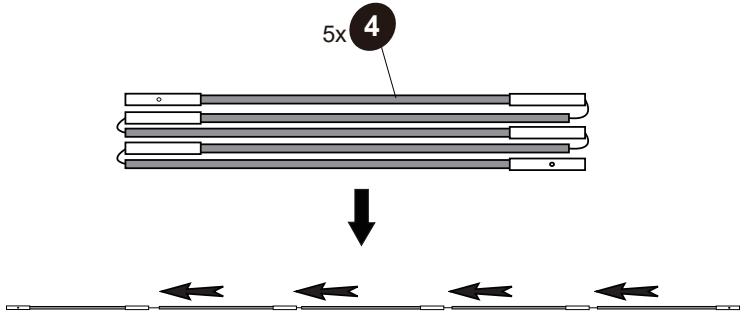
$\varnothing 32$ - $\varnothing 40$	$\rightarrow$	$\varnothing 12 \times \varnothing 8 \times 16 \text{mm}$	
$\varnothing 40$ - $\varnothing 48$	$\rightarrow$	$\varnothing 12 \times \varnothing 8 \times 7.5 \text{mm}$	
$\varnothing 48$ - $\varnothing 52$	$\rightarrow$	None	



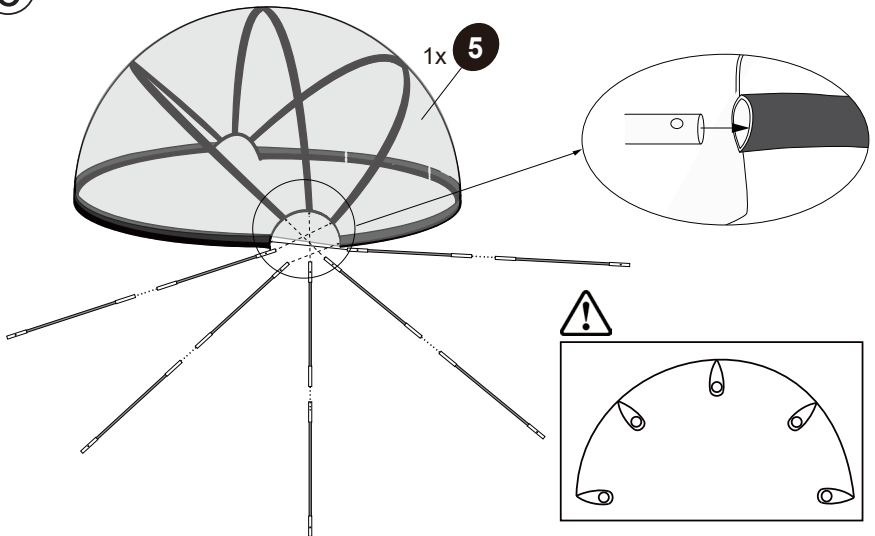
4



5

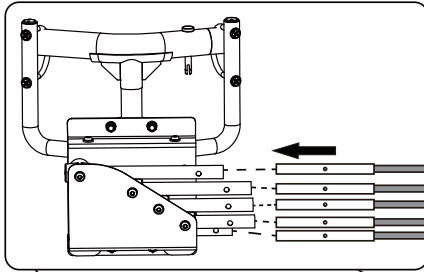


6

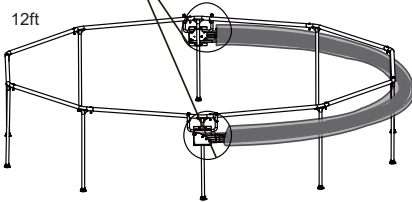




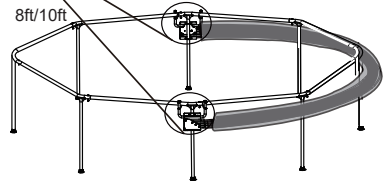
7



12ft

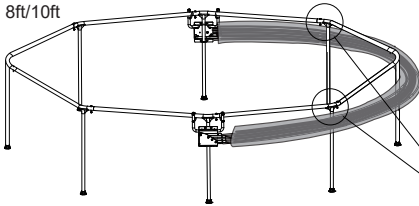


8ft/10ft

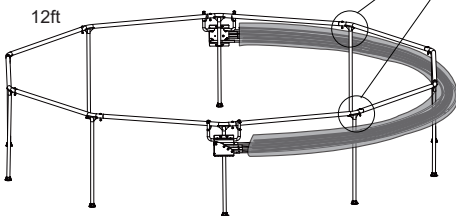


8

8ft/10ft

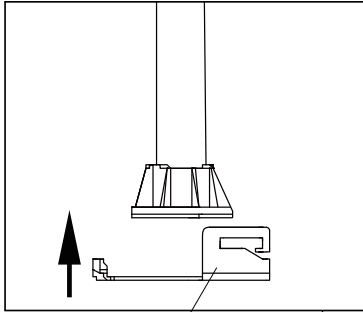


12ft

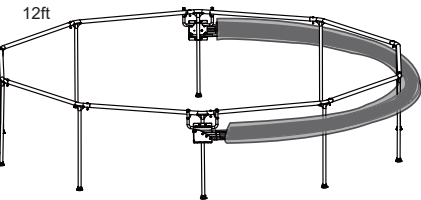
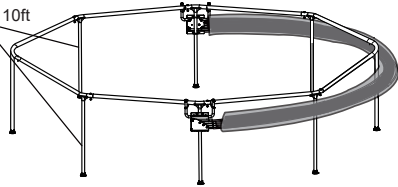
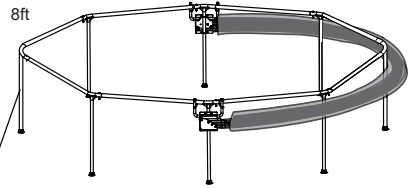


2x 14

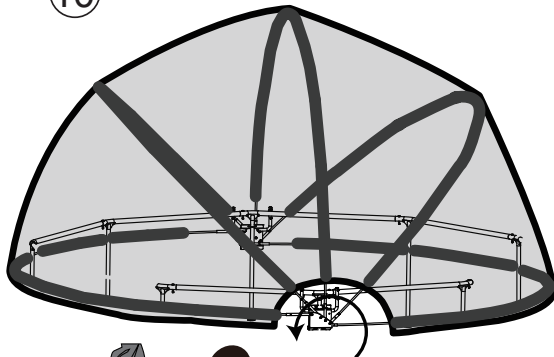
9



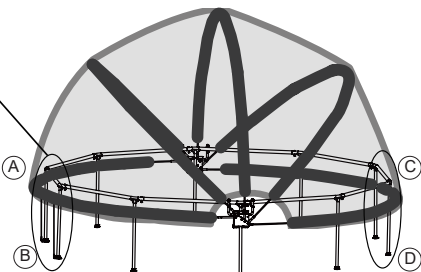
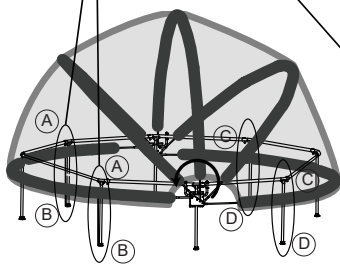
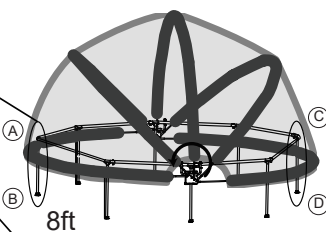
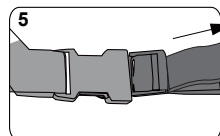
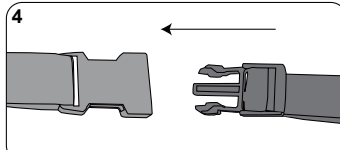
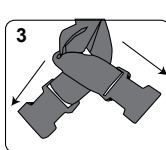
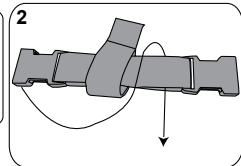
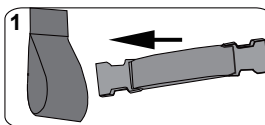
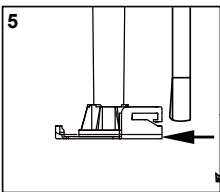
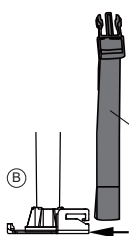
8ft	1x	9
10ft/12ft	2x	9



10



8ft	2x	7	8
10ft/12ft	4x	7	8

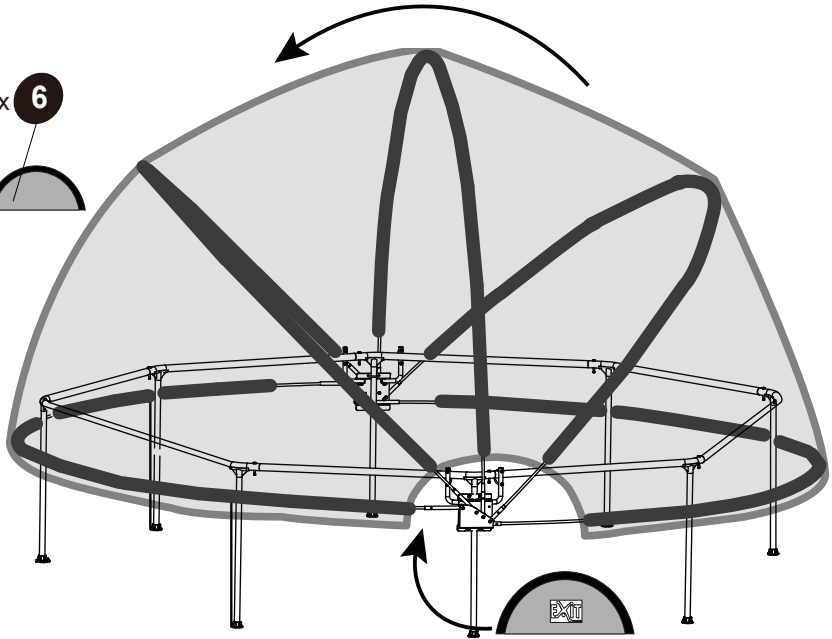


10ft

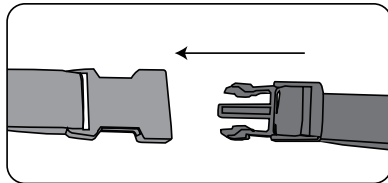
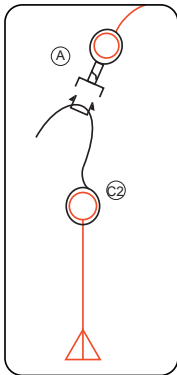
12ft

11

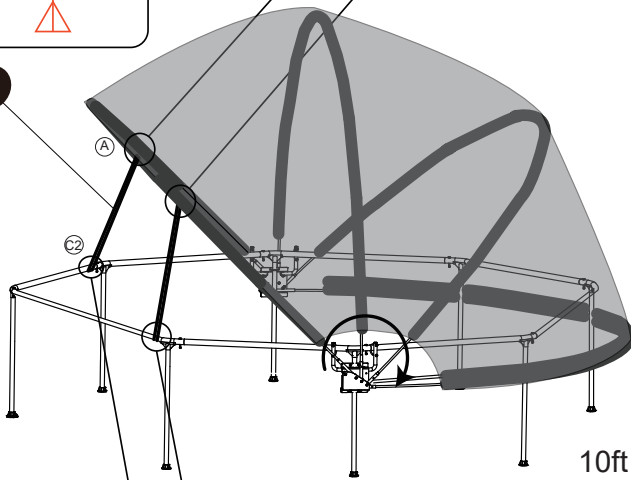
2x **6**



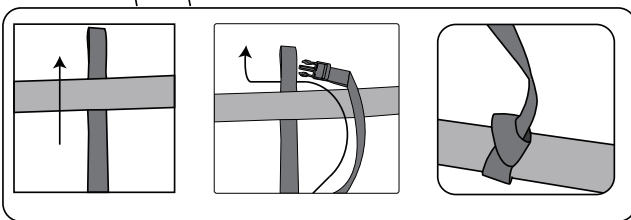
12



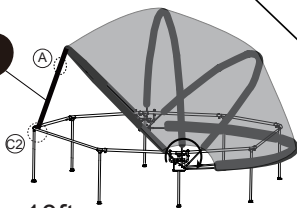
2x **7**



10ft

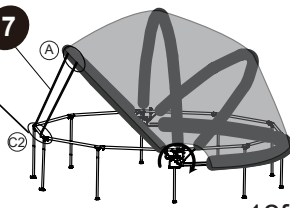


**7**



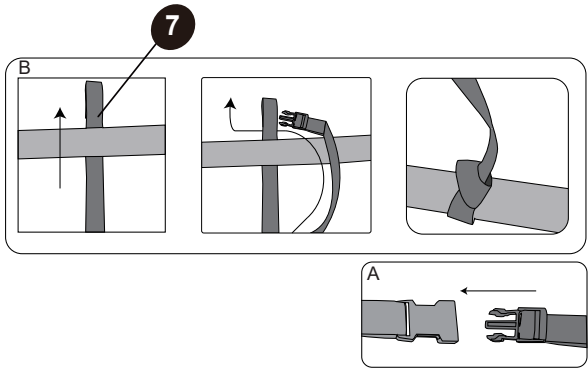
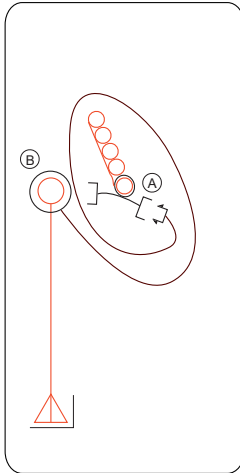
10ft

2x **7**

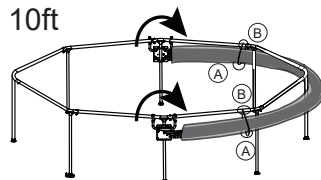
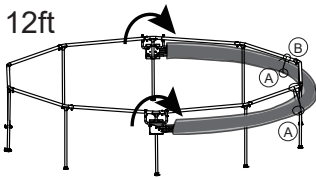
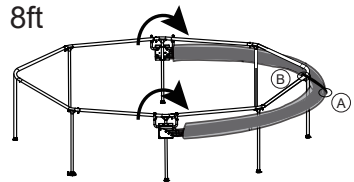


12ft

13



8ft	1x	<b>7</b>
10ft/12ft	2x	<b>7</b>





## 2.0 Introduction

Congratulations on choosing a EXIT Swimming Pool Dome!

### **Have fun, be active and play outdoors.....**

That's what keeps driving us to develop innovative, quality toys for cool kids.

We do everything possible to develop safe products for children. As our products are classed as toys, we comply with the toughest consumer safety regulations. Before launching our products onto the market, we have independent tests carried out for certification. We also continuously test our production runs and periodically have independent tests performed again as a further check. Only products which live up to the highest EXIT Toys standard are marked with and recognized by the EXIT-brand.

"We want to thank you for your custom and your confidence in this product. We're sure your kids will have as much fun as we did during development. Being openminded, we really appreciate all comments and ideas which will help us improve our products or develop new ones. You are invited to send your ideas to us at [info@exittoys.com](mailto:info@exittoys.com)"

Please visit [www.exittoys.com](http://www.exittoys.com) and discover more cool new products.

The EXIT Toys team



## 3.0 Safety Instructions

**Important Safety Instructions:** make sure that you carefully read, understand and adhere to all instructions before installation and use, and keep this document for later review. Not following the instructions can lead to severe harm and injury.

**Important:** only use the EXIT Swimming Pool Dome exclusively and always in combination with a suitable pool. Use on non-fitting pools cannot only lead to irreparable material damages, but can also lead to severe injury.

**Important:** basically, the safety instructions of the EXIT Frame Swimming Pool are applicable to this product. If you are no longer in possession of this manual, check out the instructions at [exittoys.com](http://exittoys.com) or contact us.

**Important:** always install the Pool Dome with at least 2 adults.

**Important:** the opening and closing of the Pool Dome always has to be executed by two adults.

**Warning:** make sure there is sufficient ventilation for the Pool Dome.

**Warning:** NEVER enter the pool when the Pool Dome has been closed completely.

**Warning:** Never allow children in the pool unsupervised. Make sure there is ALWAYS at least one responsible adult present who watches the children!

**Warning:** Keep sufficient distance around the pool and the Pool Dome: at least 2 metres around and 2.5 metres above the highest point.

**Warning:** keep hands and fingers away from moving parts.

## 4.0 Maintenance

**Attention:** Check the Pool Dome regularly for loose parts and if necessary, tighten the screw connections.

The material of the Pool Dome cannot withstand freezing cold, so always take the Pool Dome apart after the summer season.

Long term and moist storage can lead to mould so always make sure the Pole Dome is completely dry before putting it into storage in a damp free environment.

## 5.0 Use and Wind

**Attention:** When in doubt, always completely close and anchor the Pool Dome.

**Attention:** In order to prevent damage or injury by possible wind gusts, you should always anchor the Pool Dome with the straps that were delivered with the product, both completely closed and completely opened.

**Attention:** never leave the Pool Dome unattended when it is partly open.

**Attention:** With unexpected hard wind gusts, open or close the Pool Dome and anchor it.

In quiet weather (up to wind force 2) you may leave the Pole Dome partially open.





With wind force up to 4 you may leave the Pool Dome completely closed if so desired. With wind force higher than 5 you must open the Pool Dome and anchor it. With wind force higher than 6 you must dismantle the Pool Dome.

Make sure there are no open fires, grills , patio heaters in or near the Pool Dome. Never use cleaning products on the flexible part of the Pool Dome, but only use cold or lukewarm water. Do not use abrasive stream, scourers or brushes to clean it.

## 6.0 Warranty

1. After the date of the purchase invoice, the owner of the EXIT Swimming Pool Dome has a:

- 1-year warranty on the breaking of the frame
- 3 months warranty on the PVC fabric

2. The warranty applies only to the material and construction defects with respect to this product or its components.

3. The warranty becomes defunct if:

- This product is used incorrectly and/or carelessly and is used in such a way that it does not comply with its purpose.
- This product is not assembled and maintained according to the instruction booklet.
- Technical repairs to this product are not carried out professionally.
- Parts, which are mounted afterwards, do not comply with the technical specifications of the product concerned or are mounted incorrectly.
- The product is rented out or was made available to various unspecified persons in any other manner.

4. EXIT Toys will repair or replace according to its choice all material and construction defects that have been ascertained by EXIT Toys during the warranty period.

5. The owner of the EXIT Toys Swimming Pool Dome is only entitled to the warranty by presenting the product for inspection at a EXIT Toys dealer. It should be handed to the EXIT Toys dealer, accompanied by the original purchase invoice.

6. In case of material and construction defects that have been ascertained by EXIT Toys, the product or its components will be repaired or replaced – according to its choice – free of charge during the warranty period mentioned in Article 1.

7. If the claim for warranty is not justifiable, all the costs are at the expense of the owner.

8. This warranty cannot be transferred to third parties.

9. The Swimming Pool Dome is designed for personal use. It is not permitted to rent out or place the Swimming Pool Dome in public areas like schools or day-care centres. The guarantee and any other liabilities shall expire if the playhouse is rented out or used in public areas

## 2.0 Einführung

Glückwunsch zur Wahl des EXIT Swimming Pool Dome Pooldach!

### **Amüsier dich, sei aktiv und spiele im Freien!**

Für diesen Spaß entwickeln wir innovative und hochwertige Spielzeuge für coole Kids.

Wir tun alles in unserer Macht stehende, um sichere Produkte für Kinder zu entwickeln. Da unsere Produkte als Spielzeuge klassifiziert werden, erfüllen wir die strengsten Sicherheitsvorschriften. Bevor unsere Produkte auf dem Markt kommen, veranlassen wir die Durchführung von unabhängigen Prüfungen zur Zertifizierung. Außerdem kontrollieren wir selbst ständig unsere Produktionsabläufe und lassen diese als weitere Kontrolle regelmäßig durch unabhängige Stellen überprüfen. Nur Produkte, die den höchsten EXIT Toys Standards gerecht werden, werden mit dem EXIT Toys label gekennzeichnet.

Wir danken Ihnen für Ihr Vertrauen in dieses Produkt. Und wir sind sicher, dass Ihre Kinder genau viel Spaß haben werden wie wir ihn während der Entwicklung hatten. Da wir aufgeschlossen sind, schätzen wir wirklich all Ihre Kommentare und Ideen, die uns bei der Verbesserung unserer Produkte bzw. bei der Entwicklung neuer Spielzeuge helfen. Sie sind herzlich eingeladen, uns Ihre Ideen unter [info@exittoys.com](mailto:info@exittoys.com) zu senden.

Besuchen Sie [www.exittoys.com](http://www.exittoys.com) und entdecken Sie weitere tolle neue Produkte.

Das EXIT Toys Team

## 3.0 Sicherheitsvorschriften

**Wichtige Sicherheitsvorschriften:** Sorgen Sie vor der Montage und Verwendung dafür, dass Sie alle Anweisungen sorgfältig lesen, verstehen und befolgen. Bewahren Sie dieses Dokument zum späteren Nachschlagen auf. Das Nichtbefolgen dieser Vorschriften kann zu ernststen Verletzungen führen.

**Wichtig:** Verwenden Sie das EXIT Swimming Pool Dome Pooldach einzig und allein in Kombination mit einem geeigneten Schwimmbäder. Die Verwendung auf ungeeignete Schwimmbäder kann zu irreparablen Materialschaden, aber auch zu ernststen Verletzungen führen.

**Wichtig:** Für dieses Produkt gelten die Sicherheitsvorschriften des EXIT Frame Swimming Pools. Falls Sie diese Gebrauchsanweisung nicht mehr zur Hand haben, schauen Sie bitte auf [exittoys.com](http://exittoys.com) oder nehmen Kontakt mit uns auf.

**Wichtig:** Montieren sie das Pooldach immer mit mindestens 2 erwachsenen Personen.

**Wichtig:** Das Öffnen und Schließen des Pooldaches muss immer durch 2 erwachsene Personen durchgeführt werden.

**Warnung:** Lüften Sie das Pooldach ausreichend.

**Warnung:** Betreten Sie den Swimming Pool mit Dach NIEMALS bis dieses vollständig geschlossen ist.

**Warnung:** Lassen Sie Kinder niemals ohne Aufsicht im Swimming Pool. Sorgen Sie dafür, dass JEDERZEIT ein verantwortlicher Erwachsener auf alle Kinder aufpasst!

**Warnung:** Lassen Sie um den Swimming Pool und das Pooldach herum genügend

**Abstand:** mindestens 2 Meter rundum und 2,5 m über dem höchsten Punkt.

**Warnung:** Halten Sie Hände und Finger fern von den beweglichen Teilen.

## 4.0 Wartung

**Achtung:** Kontrollieren Sie das Pooldach regelmäßig auf lose Teile und drehen Sie die Schraubverbindungen gegebenenfalls wieder fest.

Das Material des Pooldaches ist nicht kältebeständig, bauen Sie das Pooldach aus diesem Grund nach der Sommersaison immer wieder ab.

Langfristige und feuchte Lagerung kann zu Schimmelbildung führen, sorgen Sie aus diesem Grund immer dafür, dass das Pooldach gut getrocknet in einer feuchtigkeitsfreien Umgebung gelagert wird.

## 5.0 Verwendung und Wind

**Achtung:** Im Zweifelsfall das Pooldach immer vollständig schließen und verankern.

**Achtung:** Um Schaden oder Verletzungen durch eventuelle Windstöße zu verhindern müssen Sie das Pooldach, sowohl vollständig geöffnet als auch geschlossen, jederzeit mit den mitgelieferten Bändern verankern.

**Achtung:** lassen Sie das Pooldach niemals teilweise geöffnet unbewacht.

**Achtung:** Bei erwarteten schweren Windstößen, öffnen oder schließen Sie das Pooldach und verankern es.

Bei ruhigem Wetter (bis Windstärke 2) können sie das Pooldach teilweise offen stehen lassen. Bei einer Windstärke bis 4 können Sie das Pooldach, falls gewünscht, vollständig geschlossen lassen. Bei einer höheren Windstärke als 5 müssen Sie das Pooldach öffnen und verankern. Bei einer höheren Windstärke als 6 müssen Sie das Pooldach demontieren.

Stellen Sie sicher, dass sich im oder in der Nähe des Pool Dome keine offenen Feuer, Grills oder Terrassenheizungen befinden.

Reinigen Sie den beweglichen Teil des Pooldaches nie mit Reinigungsmitteln, sondern verwenden Sie nur kaltes/lauwarmes Wasser. Verwenden Sie keinen harten Strahl, Kratzschwämme oder Bürsten für die Reinigung.

## 6.0 Garantie

1. Der Besitzer des EXIT Swimming Pool Dome erhält nach dem Datum der Kaufquittung:

- 1 Jahre Garantie auf den Bruch des Rahmens
- 3 Monaten Garantie auf das PVC

2. Die Garantie gilt ausschließlich für Material- und Konstruktionsfehler in Bezug auf dieses Produkt oder Einzelteile davon.

3. Die Garantie verfällt, wenn:

- Dieses Produkt falsch und/oder nicht sorgfältig benutzt und zu Zwecken benutzt wird, die nicht dem Benutzungszweck entsprechen.
- Dieses Produkt nicht entsprechend den Montage- und Wartungsanweisungen montiert und gewartet wurde.
- Technische Reparaturen an diesem Produkt nicht auf fachkundige Weise durchgeführt wurden.
- Später montierte Einzelteile nicht übereinstimmen mit den technischen Spezifikationen des betreffenden Produkts oder falsch montiert sind.
- Das Produkt vermietet wird oder auf andere Weise mehreren unbefugten Personen zur Verfügung steht.

4. Während der Garantieperiode werden alle von EXIT Toys festgestellten Materialoder Konstruktionsfehler von EXIT Toys nach eigenem Ermessen repariert oder ersetzt.

5. Der Besitzer des EXIT Toys Swimming Pool Dome kann nur Anspruch auf die Garantie erheben, indem er das Produkt dem EXIT Toys Händler zur Begutachtung zur Verfügung stellt. Hierzu muss dem EXIT Toys Händler der original Kaufquittung übergeben werden.

6. Stellt EXIT Toys Material- oder Konstruktionsfehler fest, wird das Produkt oder Einzelteile davon während der in Artikel 1 genannten Garantieperiode von EXIT Toys nach eigenem Ermessen kostenlos repariert, bzw. ersetzt.

7. Ist der Anspruch auf die Garantie nicht gerechtfertigt, gehen alle entstandenen Kosten zu Lasten des Besitzers des EXIT Toys Swimming Pool Dome.

8. Die Garantie ist nicht an Dritte übertragbar.

9. Das Swimming Pool Dome ist für den privaten Gebrauch vorgesehen. Sie dürfen nicht vermietet oder auf öffentlichen Plätzen wie Schulen und Kindertagesstätten verwendet werden. Bei Vermietung oder Verwendung auf öffentlichen Plätzen verfällt jede Garantie sowie weitere Verantwortlichkeit.



## 2.0 Introductie

Gefeliciteerd met de aanschaf van uw Zwembad Overkapping (EXIT Swimming Pool Dome) van EXIT Toys!

### **Pret maken, actief leven en buiten spelen.....**

Dat is onze motivatie om innovatief en kwalitatief speelgoed te ontwikkelen voor coole kinderen.

We doen er alles aan om producten te ontwikkelen die veilig zijn voor kinderen. Aangezien onze producten worden geclassificeerd als speelgoed, voldoen we aan de strengste normen op het vlak van consumentveiligheid. Voordat we een product op de markt brengen, laten we onafhankelijke tests uitvoeren voor de vereiste certificaten. We voeren ook voortdurend controles uit tijdens de productie en we laten regelmatig nieuwe onafhankelijke tests uitvoeren als extra controle. Enkel de producten die voldoen aan de strengste normen van EXIT Toys krijgen het EXIT Toys merk.

Wij stellen het zeer op prijs dat u bij ons klant bent en danken u voor het vertrouwen in dit product. We zijn er zeker van dat uw kinderen evenveel van dit product zullen genieten als wij tijdens de ontwikkeling ervan. Omdat we open staan voor uw mening, zijn uw opmerkingen en ideeën steeds welkom zodat we onze producten nog kunnen verbeteren en nieuwe kunnen ontwikkelen. Neem daarom gerust contact op via [info@exittoys.com](mailto:info@exittoys.com).

Bezoek de wereld van EXIT Toys op [www.exittoys.com](http://www.exittoys.com) en ontdek ook onze andere stoere en nieuwe buitenspeel producten.

Het team van EXIT Toys

## 3.0 Veiligheidsvoorschriften

**Belangrijke veiligheidsvoorschriften:** voor installatie en gebruik, zorg dat u alle instructies aandachtig leest, begrijpt, naleeft en bewaar dit document voor latere inzage. Het niet naleven van de voorschriften kan leiden tot ernstig letsel.

**Belangrijk:** gebruik de EXIT Swimming Pool Dome zwembadoverkapping altijd én alleen in combinatie met een geschikt zwembad. Gebruik op niet passende zwembaden kan leiden tot onherstelbare materiele schade, maar kan ook ernstig letsel tot gevolg hebben.

**Belangrijk:** op dit product zijn in basis de veiligheidsvoorschriften van het EXIT Frame Zwembad van toepassing. Heeft u deze handleiding niet meer voor handen, kijk op [exittoys.com](http://exittoys.com) of neem contact met ons op.

**Belangrijk:** installeer de zwembadoverkapping altijd met minimaal 2 volwassen personen.

**Belangrijk:** het openen en sluiten van de zwembadoverkapping dient altijd met 2 volwassen personen uitgevoerd te worden.

**Waarschuwing:** ventileer de zwembad overkapping voldoende.

**Waarschuwing:** betreed een zwembad met overkapping NOOIT zodra deze volledig gesloten is.

**Waarschuwing:** Laat kinderen niet zonder toezicht in het zwembad. Zorg altijd dat minstens één verantwoordelijke volwassenen TE ALLEN TIJDE op alle kinderen let!

**Waarschuwing:** Houd genoeg afstand rond het zwembad en de overkapping: minimaal 2 meter rondom en 2.5m boven het hoogste punt.

**Waarschuwing:** houd handen en vingers uit de buurt van de bewegende delen.

## 4.0 Onderhoud

**Let op:** Controleer de zwembadoverkapping met regelmaat op loszittende onderdelen en draai desnoods de schroef verbindingen weer aan.

Het materiaal van de overkapping is niet bestand tegen vrieskou, breek de zwembad overkapping na het zomerseizoen daarom altijd weer af.

Langdurige en vochtige opslag kan leiden tot schimmelvorming, zorg daarom altijd voor dat de overkapping goed gedroogd opgeborgen wordt in een vochtvrije omgeving.

## 5.0 Gebruik en wind

**Let op:** Bij twijfel de overkapping altijd volledig sluiten en verankeren.

**Let op:** Om schade of letsel door eventuele windvlagen te voorkomen, dient u te allen tijden de overkapping te verankeren met de meegeleverde banden, zowel volledig geopend of gesloten.

**Let op:** laat de overkapping nooit onbeheerd deels geopend.

**Let op:** Bij verwachte harde windstoten, open of sluit en veranker de overkapping. Bij rustig weer (tot windkracht 2) kunt de overkapping deels open laten staan. Bij een windkracht tot 4 kunt u desgewenst de overkapping volledig gesloten laten. Bij een hogere windkracht dan 5 dient u de overkapping te openen en te verankeren. Bij een windkracht hoger dan 6 dient u de overkapping te verwijderen.

Zorg dat er geen open vuur, barbecues of terras verwarmers in de buurt van de Pool Dome zijn.

Maak het flexibele deel van de overkapping nooit schoon met schoonmaakmiddelen maar gebruik louter koud/lauw water. Gebruik geen harde straal, schuursponzen of borstels voor de reiniging.

## 6.0 Garantie

1. De eigenaar van de zwembadoverkapping heeft na de datum van de aankoop-nota:

- 1 jaar garantie op het breken van het frame
- 3 maanden garantie op het PVC doek.

2. De garantie geldt uitsluitend voor materiaal- en constructiefouten ten aanzien van dit product of onderdelen daarvan.

3. De garantie vervalt als:

- Dit product onjuist en/of onzorgvuldig gebruikt is en gebruikt wordt dat niet overeenkomstig bestemming is.
- Dit product niet conform het instructieboekje geassembleerd én onderhouden is.
- Technische reparaties aan dit product niet op vakkundige wijze verricht zijn.
- Naderhand gemonteerde onderdelen niet overeenkomen met de technische specificaties van het betreffende product, of onjuist gemonteerd zijn.
- Het product wordt gebruikt voor verhuur of op andere wijze aan meerdere ongespecificeerde personen ter beschikking staat.

4. Gedurende de garantieperiode zullen alle door EXIT Toys vastgestelde materiaal- of constructiefouten ter keuze van EXIT Toys worden gerepareerd, danwel worden vervangen.

5. De eigenaar van de zwembadoverkapping kan slechts aanspraak maken op de garantie

door het product ter inspectie aan te bieden bij een EXIT Toys. Hierbij dient de originele aankoopnota aan de EXIT Toys te worden overhandigd.

6. In geval van door EXIT Toys vastgestelde materiaal- of constructiefouten, zal het product of zullen onderdelen daarvan gedurende de in artikel 1 genoemde garantieperiode

ter keuze van EXIT Toys gratis worden gerepareerd, danwel gratis worden vervangen.

7. Indien de garantieaanvraag niet terecht is, zijn alle gemaakte kosten voor rekening

van de eigenaar.

8. De garantie is niet overdraagbaar aan derden.

9. De zwembadoverkapping is bestemd voor particulier gebruik. Het is niet toegestaan deze te verhuren of te plaatsen op openbare plaatsen zoals scholen en kinderdagverblijven. Bij verhuur of gebruik op openbare plaatsen vervalt iedere garantie en vervallen andere aansprakelijkheden.

## 2.0 Introduction

Vous venez de faire l'acquisition du EXIT Swimming Pool Dome; nous vous en félicitons!

### **S'amuser, être actif et jouer dehors.....**

Nous faisons tout notre possible pour développer des produits sûr pour les enfants.

Étant donné que nos produits sont classés comme étant des jouets, nous nous conformons aux réglementations de sécurité des consommateurs les plus rigoureuses. Avant de commercialiser nos produits, nous faisons réaliser des tests indépendants en vue d'obtenir la certification. Nous testons également en continu nos cycles de production et faisons régulièrement réaliser des tests indépendants à titre de contrôle supplémentaire. Seuls les produits qui se montrent à la hauteur de la norme EXIT Toys la plus rigoureuse sont porteurs de l'étiquette EXIT Toys.

Nous souhaitons vous remercier pour l'achat de ce produit et pour votre fidélité. Nous sommes sûrs que vos enfants s'amuseront autant que nous nous sommes amusés durant la phase de développement. Nous sommes très ouverts et preneurs de tous les commentaires et idées qui pourraient nous aider à améliorer nos produits et à en développer de nouveaux. Vous êtes invités à nous envoyer vos idées à [info@exittoys.com](mailto:info@exittoys.com).

Découvrez le monde de EXIT Toys, ses produits de divertissement branchés et ses nouveautés sur [www.exittoys.com](http://www.exittoys.com).

L'équipe EXIT Toys.



## 3.0 Informations relatives à la sécurité

**Informations importantes relatives à la sécurité :** pour l'installation et l'utilisation de l'abri de piscine EXIT Swimming Pool Dome, assurez-vous de lire, comprendre et respecter attentivement toutes les instructions et conservez ce document pour une consultation future. Le non-respect des consignes peut entraîner des blessures graves.

**Important :** utilisez toujours et uniquement cet abri de piscine en combinaison avec une piscine adaptée. L'utilisation sur inapproprié de piscines peut entraîner des dommages matériels irréparables, mais également causer des blessures graves.

**Important :** à la base, les consignes de sécurité de la Piscine avec Châssis EXIT s'appliquent sur ce produit. Si vous ne possédez plus ce mode d'emploi, veuillez consulter le site [exittoys.com](http://exittoys.com) ou nous contacter.

**Important :** l'installation de l'abri de piscine nécessite toujours au moins 2 adultes.

**Important :** l'ouverture et la fermeture de l'abri de piscine nécessitent toujours deux adultes.

**Avertissement :** aérez suffisamment l'abri de piscine.

**Avertissement :** ne pénétrez JAMAIS dans une piscine avec abri lorsque ce dernier est complètement fermé.

**Avertissement :** ne laissez pas les enfants sans surveillance dans la piscine. Assurez-vous qu'au moins un adulte responsable surveille TOUJOURS tous les enfants !

**Avertissement :** conservez une distance suffisante autour de la piscine et de l'abri : au moins 2 mètres autour de l'abri et 2,5m au-dessus du point le plus haut.

**Avertissement :** gardez les mains et les doigts à l'écart des pièces en mouvement.

## 4.0 Entretien

**Remarque :** vérifiez régulièrement le bon serrage des pièces de l'abri de piscine et revissez si nécessaire les raccords vissés.

La toile de l'abri n'est pas résistante au gel. Pour cette raison, démontez toujours l'abri de piscine après la saison estivale.

Un stockage prolongé et humide peut entraîner la formation de moisissures, veillez par conséquent toujours à stocker l'abri bien séché, dans un environnement exempt d'humidité.

## 5.0 Utilisation et vent

**Remarque :** en cas de doute, ancrez et fermez toujours complètement l'abri.

**Remarque :** pour éviter toute blessure ou tout dommage causé par de possibles rafales, ancrez toujours l'abri à l'aide des sangles fournis, que l'abri soit complètement ouvert ou fermé.

**Remarque :** ne laissez jamais l'abri partiellement ouvert sans surveillance.

**Remarque :** en cas de forts vents attendus, ouvrez ou fermez l'abri, et ancrez-le. Par temps calme (jusqu'à force 2 sur l'échelle de Beaufort) vous pouvez laisser l'abri partiellement ouvert. Jusqu'à force 4, vous pouvez choisir de laisser l'abri

complètement fermé. En cas de vent supérieur à force 5, vous devez ouvrir l'abri et l'ancrer. En cas de vent supérieur à force 6, vous devez démonter le Pool Dome.

**Assurez-vous qu'il n'y a pas de feux ouverts, de grils, de chauffe-terrasse dans ou près du dôme de la piscine.** Ne nettoyez jamais la partie flexible de l'abri avec un détergent, mais utilisez uniquement de l'eau froide/tiède. N'utilisez pas de jet puissant, d'éponges abrasives ni de brosses de nettoyage.

## 6.0 Garantie

1. Le propriétaire du Swimming Pool Dome EXIT Silhouette bénéficie d'une garantie après la date d'achat:

- 1 an de garantie sur le cadre
- 3 mois de garantie sur le tissu en PVC

2. La garantie s'applique uniquement vis-à-vis des vices de construction et des vices matériels de ce produit ou des pièces de ce produit.

3. La garantie s'annule lorsque:

- Ce produit est utilisé incorrectement et/ou avec négligence et non conformément à ce pour quoi il a été destiné.
- Ce produit n'a pas été assemblé et entretenu conformément au carnet d'instructions.
- Les réparations techniques sur ce produit n'ont pas été effectuées de manière compétente.
- Les pièces montées plus tard ne correspondent pas aux spécifications techniques du produit concerné, ou sont montées de manière inexacte.
- Le produit est utilisé pour la location ou est mis, d'une autre manière, à la disposition

de plusieurs personnes non spécifiées.

4. Pendant la période de garantie, tous les vices de construction ou les vices matériels constatés par EXIT Toys seront réparés ou remplacés, selon le choix de EXIT Toys.

5. Le propriétaire du Swimming Pool Dome EXIT Toys peut seulement prétendre à la garantie en proposant le produit à l'inspection auprès d'un distributeur EXIT Toys. La facture d'achat originale doit être remis au distributeur EXIT Toys.

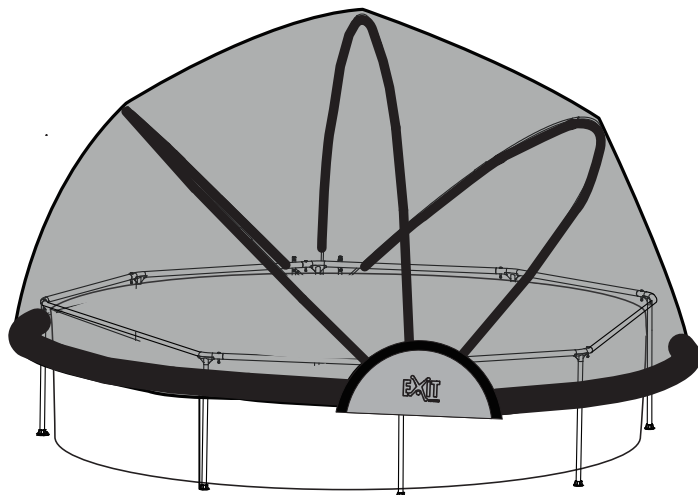
6. En cas de vice de construction ou de vice matériel de EXIT Toys, le produit ou les pièces du produit sera/seront réparé(es) ou remplacé(es) gratuitement, selon le choix de EXIT Toys, pendant la période de garantie précitée à l'article 1.

7. Si la demande de garantie n'est pas justifiée, tous les frais encourus sont à la charge du propriétaire.

8. La garantie n'est pas transmissible aux tiers.

9. Le Swimming Pool Dome est conçues pour un usage privé. Il est interdit de louer les ou de les placer dans des lieux publics comme des écoles ou des crèches. En cas de location ou d'utilisation dans des lieux publics, toute garantie ou autre responsabilité tombe.





Contact:  
Dutch Toys Group  
Edisonstraat 83, 7006RB, Doetinchem , the Netherlands  
P.O. Box 369, 7000AJ, Doetinchem, the Netherlands

[info@exittoys.com](mailto:info@exittoys.com)  
[www.exittoys.com](http://www.exittoys.com)

*EXIT is a registered trade mark of Dutch Toys Group*



User manual  
Gebrauchsanweisung  
Gebruikshandleiding  
Mode d'emploi

# FRAME POOL

12FTX48IN

3.6M X 1.22M

14FTX48IN

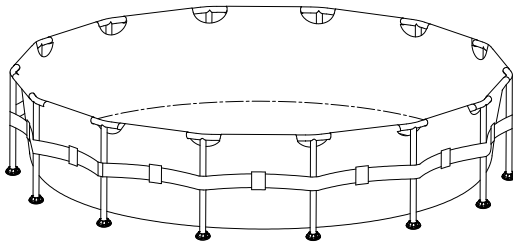
4.27M X 1.22M

15FTX48IN

4.5M X 1.22M

16FTX48IN

4.88M X 1.22M



**Important safety rules:** Before installing and using this product read, understand, follow all instructions carefully and keep it for future reference!

**Wichtige sicherheitsregeln:** Bevor Sie dieses Produkt installieren und verwenden lesen, verstehen und beachten Sie sorgfältig alle anweisungen, und für künftige bezugnahme aufbewahren!

**Belangrijke veiligheidsvoorschriften:** Voor installatie en gebruik, zorg dat u alle instructies aandachtig leest, begrijpt, naleeft en bewaar dit document voor latere inzage.

**Règles importantes de sécurité:** Lisez, comprenez et suivez attentivement toutes les instructions avant d'installer et d'utiliser ce produit! Conserver pour consultation ultérieure!





4

**English**



5

**Deutsch**



20

**Nederlands**



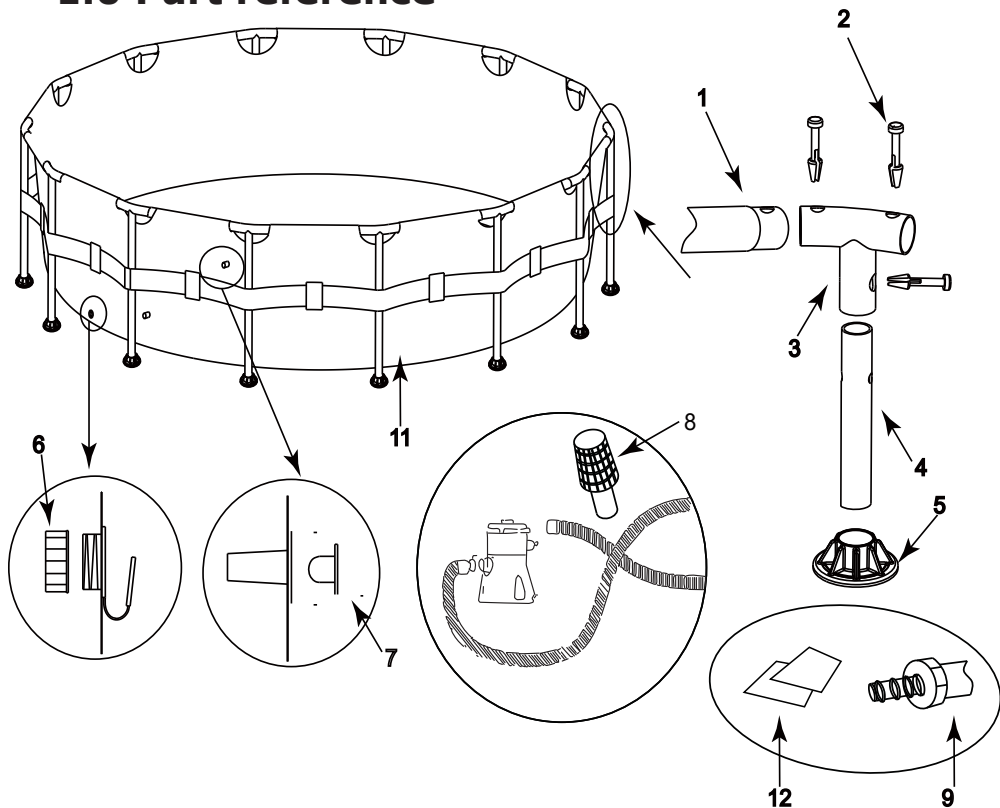
35

**Français**



50

# 1.0 Part reference



Part	#12ft	Item-no.	#14ft	Item-no.	#15ft	Item-no.	#16ft	Item-no.	
1	Horizontal beam	10	393286	12	393430	12	393283	14	393431
2	PVC Pin	30	393230	36	393230	36	393230	42	393230
3	T-joint	10	393310	12	393311	12	393311	14	393432
4	Vertical leg	10	393284	12	393287	12	393287	14	393433
5	Leg Cap / Foot	10	393285	12	393285	12	393285	14	393285
6	Drainage Valve cover	1	290367	1	290367	1	290367	1	290367
7	Stopper	2	290311	2	290311	2	290311	2	290311
8	Hole strainer	2	290312	2	290312	2	290312	2	290312
9	Drainage Valve Connector	1	290365	1	290365	1	290365	1	290365
10	Pool liner	1	30.94.12	1	30.94.14	1	30.94.15	1	30.94.16
11	Pump set	1		1		1		1	
12	Quick repair set	1	290703	1	290703	1	290703	1	290703





## 2.0 Introduction

Congratulations on choosing a EXIT Frame Pool!

### **Have fun, be active and play outdoors.....**

That's what keeps driving us to develop innovative, quality toys for cool kids and parents.

We do everything possible to develop safe products for children. As our products are classed as toys, we comply with the toughest consumer safety regulations. Before launching our products onto the market, we have independent tests carried out for certification. We also continuously test our production runs and periodically have independent tests performed again as a further check. Only products which live up to the highest EXIT Toys standard are marked with and recognized by the EXIT-brand.

"We want to thank you for your custom and your confidence in this product. We're sure your kids will have as much fun as we did during development. Being open-minded, we really appreciate all comments and ideas which will help us improve our products or develop new ones. You are invited to send your ideas to us at [info@exittoys.com](mailto:info@exittoys.com)"

Please visit [www.exittoys.com](http://www.exittoys.com) and discover more cool new products.

The EXIT Toys team

### 3.0 Guidelines for safe use

Using your Frame Pool as instructed in this manual will eliminate virtually all hazards. However, please bear in mind that children have a natural urge to play and that this may lead to unforeseen dangerous situations for which the manufacturer cannot be held responsible. Teach your children how to use the product and point out possible dangers to them.

**Before assembling and using the product, please read and observe these main warnings:**



**WARNING:** To enhance the enjoyment of your pool and protect the safety of those in and around the pool, **ALWAYS STRICTLY OBSERVE** the following safety and maintenance instructions:

- 1). It is the responsibility of the pool owner to identify and obey all local and state laws pertaining to above ground swimming pool safety PRIOR to set-up or use of the pool. These include, but are not limited to, laws on: decks, fences, barriers, covers, pool ladders, lighting, and required safety equipment. Please consult your local authorities to ensure compliance.
- 2). Do not allow unattended Children in the pool. Always make sure that at least one responsible adult is supervising all Children and those who do not know how to swim AT ALL TIMES. Never swim / bathe in the pool alone.
- 3). NEVER permit diving or jumping into the pool. Never enter the pool from any decks or other raised surfaces. The water level in your pool is extremely shallow and is not suitable for these activities. Failure to heed these in-structions can result in serious injury or even death.
- 4). Do not permit Children or adults to engage in any "rough-housing" or other aggressive sports or activity in or around the pool. Failure to observe this guideline can result in serious injury for those in and around the pool area.
- 5). Always maintain the proper pool safety equipment in an easily accessible area adjacent to your pool. Clearly post emergency phone numbers as well as safety advisories and rules (such as "No Jumping or Diving" and "Do Not Swim Alone"). Do not allow bathers in the pool unless the area is sufficiently bright or lighted.
- 6) All filtrations are in agreement with the installation standard NF C 15-100 that all electric appliances located within 3.50 m for the pond and with a free access should have a low voltage supply of 12V. All electrical appliance supplied with 220V must be located at least at 3.50 meter from the edge of the pond. Consult the manufacturer for any change of one or several elements to the filtration system. (For France Market)

7). The safety of your children is up to you! The risk is greatest when children are younger than 5 years old. The accidents do not only happen to others! Be ready to face it!

8). Watch and act:

- Supervision of children must be close and constant;
- Designate one responsible for security;
- Strengthen monitoring when there are multiple users in the pool;
- Teach your children to swim as soon as possible;
- Wet neck, arms and legs before entering the water;
- Learn lifesaving, especially those specific to children;
- Forbid diving or jumping in front of young children;
- Forbid running and violent games around the pool;
- Do not allow access to the pool without a safety vest for a child not knowing how to swim and not accompanied in the water;
- Do not leave toys near unmonitored pool;
- Keep water clear and healthy;
- Store water treatment products out of reach of children;

9). Plan:

- Phone near the pool, do not leave your children unattended when you call;
- Buy and pole near the pool;

10). Moreover, some devices may contribute to security:

- Barrier whose portal will be constantly kept closed (e.g. a hedge cannot be regarded as a protective barrier);
- Manual or automatic cover properly positioned and secured protection;
- Electronic sensor to detect or drop in service and operational, but not a substitute for close supervision;

11). Accident:

- Remove the child from the water as quickly as possible;
- Call for help immediately and follow the advice that given to you;
- Replace wet clothes with warm blankets;

12) Store and view pool number of first aid:

- Fire: (18 for France); (112 Europe)
- EMS: (15 for France); (112 Europe)
- Poison Center; (112 Europe)

13). Prohibit access to the pool for the deterioration or the system(s) filter;

14). Do not submerge;

15). Do not walk on the edge;

16). Warning: Never put the empty swimming pool in the open air.



**PREVENT DROWNING**



**WARNING**

Closely watch children who are *in or near* this pool. Children under 5 are at highest risk for drowning.

**Stay away from drains & suction fittings**



**WARNING**

Your hair, body & jewelry can get sucked into drain. You could be held under water & drown!

**NO DIVING!**



**WARNING**

You can break your neck and be paralyzed!

## 4.0 Site selection

**WARNING:** Pools installed on inadequately level surfaces are subject to leaking, forming irregularities, or collapse, which can result in property damage or serious injury for those in or around the pool area!

**WARNING:** Do not use sand during setup process. If it appears that there is a need for use of a "leveling agent", then your set-up site is likely unsuitable. **FAILURE TO OBEY THIS WARNING MAY RESULT IN SERIOUS PERSONAL INJURY.**

**CAUTION:** Please choose your set-up area carefully, as lawn and other desirable vegetation underneath the ground cloth (If applicable) will die. Furthermore, try to avoid setting the ground cloth (If applicable) in areas prone to aggressive plant and weed species, as they may grow through the ground cloth (If applicable).

**CAUTION:** The pool must be accessible to a 110 or 230-volt AC outlet protected by a Ground Fault Circuit Interrupter (GFCI). The pool should be set no closer than 10 ft. to the power source, but no further than the length of the filter pump cord. Under no circumstances should an extension cord be used to extend the range of the connection.

**It is absolutely essential to select a suitable site for your pool BEFORE attempting to fill it with any water. Please select a set-up site which strictly conforms to the following guidelines:**

**Guide 1.** Ensure that the area is firm, flat (no bumps or mounds of earth) and extremely level, with a grade not exceeding 3° of slope at any point in the set-up area.

**Guide 2.** Make sure that the area you have selected to set-up the pool is completely free of sticks, stones, sharp objects or other foreign debris.

**Guide 3.** Select an area that is not directly underneath overhead power lines or trees. Additionally, make sure that the pool set-up area does not contain underground utility pipes, lines, or cables or any kind.

**Guide 4.** A ground cloth will help protect the pool liner from damage due to weed growth, sharp objects, and debris.

**Guide 5.** If at all possible, choose an open location on your property that is exposed to direct sunlight. This will help to warm your pool.

Flat, Level Ground-CORRECT

Bumpy, Sloping Ground-INCORRECT



## 5.0 Set up the pool

**IMPORTANT:** Do not start assembly if any pieces are missing. For replacement pieces call the Consumer Service telephone number in your area.

The number of persons required for installation: 2 adult at least.

Total installation time except the time for site preparation and water filling:

30 up to 45 minutes.

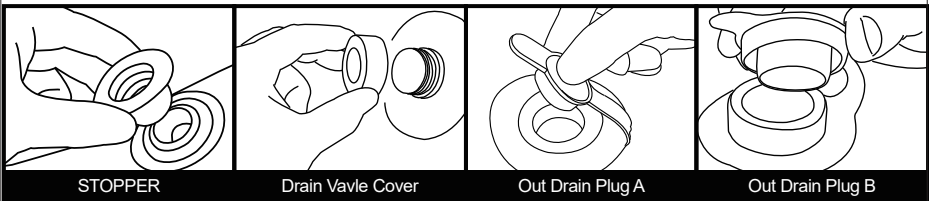
### Step 1. Account for all parts.

Remove all the parts from the carton(s) and place them on the ground in the location where they are to be assembled

Check each part according to "PART REFERENCE" 1.0. Make sure all the pieces to be assembled are accounted for.

### Step 2. Install drain valves cover and stopper.

Make sure that outer drain plug is inserted into the outer drain cap and drain valve cover is screwed on tightly. Plug the connection holes with the stoppers. (The out drain plug changes according to different size of pool.)



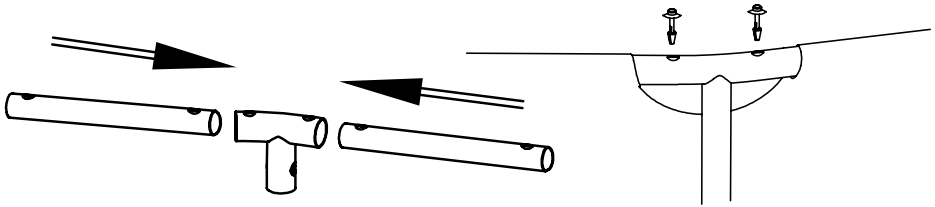
STOPPER

Drain Valve Cover

Out Drain Plug A

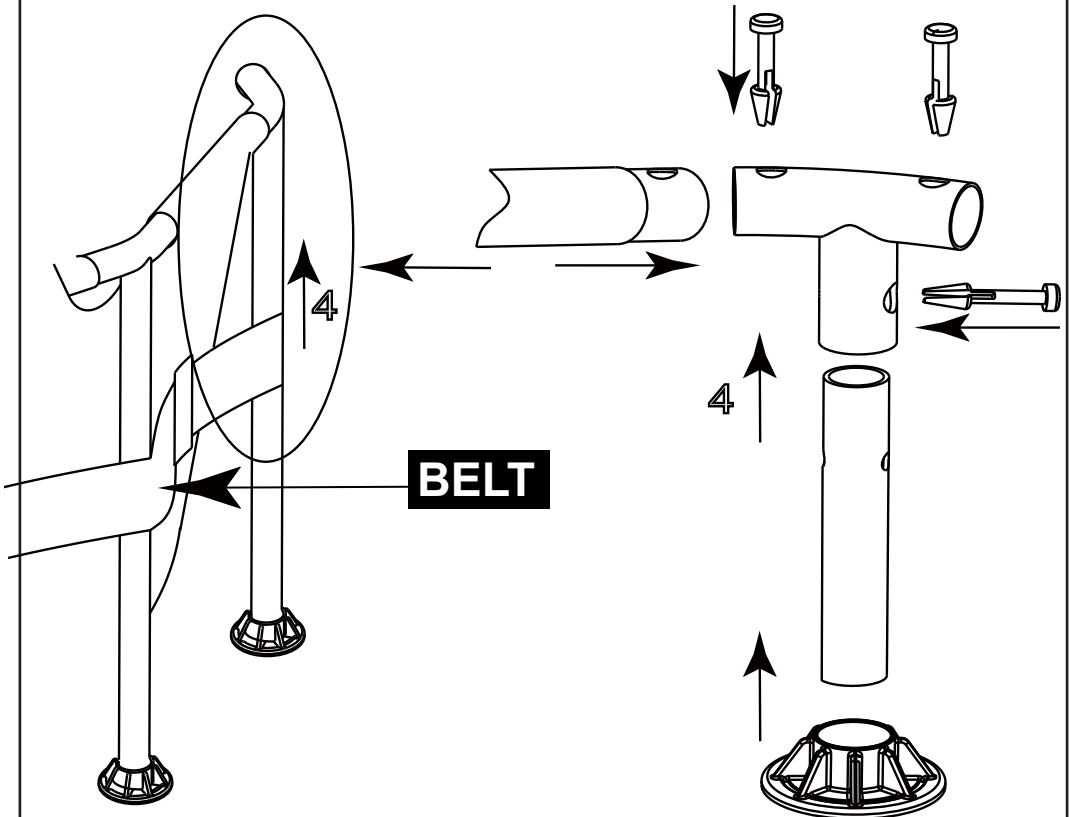
Out Drain Plug B

**Step 3. Install the horizontal beams, through the sleeves of the pool**



**Step 4. Foot pad**

**Step 5. Install T-joints and frame**

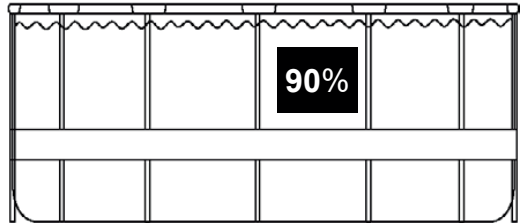




## Step 6 Fill the pool

**WARNING:** Do not leave pool unattended while filling with water.

**WARNING:** If more than 1~2 inches of water collects on any one side before you start filling in the center. The pool is not level enough, and must be corrected! You shall pull out the drain plug, release the water completely, disassemble the pool completely, locate the pool on a plane surface, repeat set up instruction.



**WARNING:** DO NOT OVERFILL as this could cause the pool to collapse. In times of heavy rainfall you may need to empty some of the water to ensure the level is correct.

6.1. Make sure the drain fitting is plugged securely and the cap is in place. Start filling the pool with water. After about 1-inch of water is on the bottom, stop filling and smooth wrinkles out of the bottom of the pool. Pull the outer wall out from the top edge, all around the bottom of the pool, so that it fills evenly.

6.2. Continue filling the pool until water level .

## 6.0 Disassembly and storage

**WARNING:** Do not let your children stand at downfold and face the water outlet during the drainage. The water current may sweep your children.

**WARNING:** Pool should be stored at places where it is cool and dry, with no sharp object surrounded, or no heavy objects lying above, which may cause damage to the pool.

**Step 1.** If you have a filter pump, make sure that the electricity source to the filter pump has been disconnected.

**Step 2.** Check to ensure that the out drain plug is firmly inserted on the inside of the pool.

**Step 3.** Attach your garden hose to the drainage valve connector, and placing the other end of the hose in an area where the water can drain safely, such as a storm drain or street gutter. Remember that because water always finds its own level, the end of the hose must be lower in elevation than the pool to ensure complete drainage.

**Step 4.** If you have a filter pump, insert the stopper into the inlet and outlet fixtures, on inside of pool, and then disconnect the filter pump hoses.

**Step 5.** Attach the drainage valve connector to the drain outlet by turning connector in a clockwise direction.

**Step 6.** Open the out drain plug on the inside of the pool and the water will begin to drain immediately.

**Step 7.** Disconnect the hose and drainage valve connector when finished.

**Step 8.** Replace the out drain plug on the inside of the pool.

**Step 9.** Be sure that the pool liner is completely dry before folding the pool for long-term storage. Leaving the pool exposed to sunlight for a few hours will clean and speed the drying process and make it easier to fold the pool for storage. (Never attempt to fold or stow a pool that is not completely dry as this could lead to a proliferation of mold or mildew build-up during the time the pool is in storage.)

**Step 10.** Remember, proper off-season storage is critical to protect your investment in your pool.(especially in winter) Once drained and dry, your pool should be carefully folded and wrapped in a ground cloth (if available) or other similar protective tarp-like material. The pool and all applicable accessories such as the pump, cover, ground cloth, ladder, hoses, clamps, and hardware should be kept together and stored indoors, in a reasonably warm, dry and weatherproof location.

## 6.1 Folding instruction

**Before folding, it's better to dry all parts and pool completely by lying them in the sun for one hour or so.(PIC.1). And then, spread some talcum powder to prevent the vinyl from sticking together.**

**Step 1.** Please fold the protrusion sides inside to gain rectangle shape. (PIC.2).

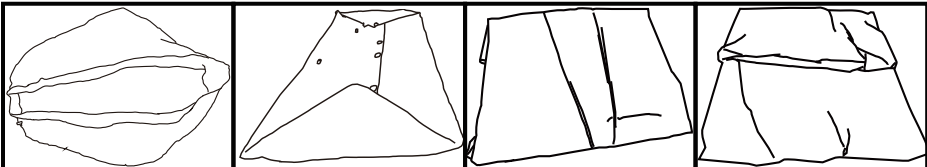
**Step 2.** Fold each half of the rectangle to gain a smaller rectangle shape. (PIC.3).

**Step 3.** Fold each end backwards. (PIC.4).

**Step 4.** Fold the rest ends together to create an ultimate rectangle one. (PIC.5).

**TIPS 1.** Please remove air inside to make the folded pool thin and flat during each folding.

**TIPS 2.** The original packing can be used for storage.

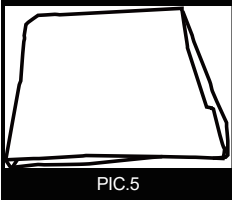


PIC.1

PIC.2

PIC.3

PIC.4



PIC.5





## 7.0 In-season pool maintenance and care

**WARNING:** If applicable, the filter pump included with your pool is designed to remove dirt and other small particles from your pool water. However, to maintain pool water that is perfectly clear, algae free, and safe from harmful bacteria, it is VERY IMPORTANT TO ENGAGE IN A CONSISTENT REGIMEN OF CHEMICAL TREATMENT. Contact your local pool supply retailer for guidance on the safe and effective use of chlorine, shock, algaecide and other such chemicals.

**WARNING:** To avoid skin and eye irritation or even injury to bathers, never add chemicals to the pool while it is occupied. Never add any chemicals or substances to your pool if you cannot verify the exact quantity or type to add to the water. Consult a pool supply retailer for specific instructions and guidelines concerning the use of chemicals in your pool.

**WARNING:** It is highly recommended that pool owners frequently test their pool water to ensure that the pH and chlorine concentration in the water is optimal for safe and enjoyable bathing throughout the season. Please consult your pool supply retailer to find a suitable testing kit and instructions on its use.

**WARNING:** Non-respect of the maintenance rules may result in serious hazards for health and especially for the children.

This product is designed to be storable, seasonal pools. If you live in a temperate area in which the pool will not be in use year-round, it is STRONGLY RECOMMENDED that you drain your pool, clean and dry it thoroughly, and store it in a protected area for the off-season. This will help extend the life of your pool and prevent a safety hazard from developing while the pool is not in use. During the season of use of the pool kit, the filtration system (if applicable) must be put into service each day, long enough to ensure at least a complete renewal of the volume of water.

**In order to keep your pool water clean and hygienic all season long please closely adheres to the following guidelines:**

1. The proper and consistent use of basic pool chemicals are required to maintain the proper pH balance in your pool water. Furthermore, the application of chemicals will help prevent the growth of harmful bacteria or algae in your pool, and assist your filter-pump in keeping your water crystal clear. Chemical that your pool may require include but are not limited to:

1) Tabular, Granular, or Liquid Chlorine: Disinfects pool water and inhibits algae growth.

2) PH Adjusting Chemicals: These are used to correct PH level and make water more or less acidic.

3) Algaecides: These chemicals are formulated to remove algae.

4) "Shock" (Super chlorinator): Eliminates certain organic and other combination compounds that can affect water clarity.

In order to obtain specific details on the use of chemicals, please consult a local pool supply retailer and provide them with the volume of water in your specific pool, and if desired, a sample of your pool water. This will enable them to properly instruct you on: 1) which chemicals to purchase, 2) what quantities of chemicals to purchase, and 3) how to use specific chemicals safely and effectively.



2. Never let chlorine come into direct contact with the pool liner until it has completely dissolved. This means that granular or tabulated chlorine is first dissolved in a bucket of water before applying to pool water, and likewise, liquid chlorine is slowly and evenly poured into pool water from various locations around perimeter of pool.

**DANGER:** NEVER add water to chemicals. INSTEAD, always add chemicals to water. Also, never mix separate chemicals together, rather, add chemicals to the pool separately and allow them to circulate throughout the pool before adding additional types of chemicals.

3. We recommend that you purchase a test kit, and frequently test your pool water to make sure that your PH balance and chlorine levels are optimal. Your local pool supply retailer can provide information on purchasing and using a test kit that is most suitable for your needs. NOTE: Excessive chlorine levels or low (acidic) pH levels can damage your pool liner, so please take corrective action as soon as possible if testing reveals either condition.

The tasks of removing larger debris from your pool and keeping the inside of the pool liner clean are simplified by using a take corrective action as soon as possible if testing reveals either condition. included as a bonus feature in larger pool systems, and can also be purchased separately as an accessory. Please contact your local after sale service center if you want to get advice on any repair during the life of the pool kit.

4. If applicable, check your filter-pump cartridge every two weeks (or more frequently during periods of heavy usage) to verify whether it needs to be cleaned or replaced. If your cartridge is no longer white in color, attempt to spray it clean with a strong blast of water from your garden hose. If your cartridge cannot be cleaned in this manner, the cartridge must be replaced. Failure to frequently clean and/or replace your cartridges will affect the effectiveness of your filter pump and could shorten its useful life.

5. If your pool system included a cover, try to keep your pool covered at all times when not in use. This will help keep the wind and other elements from depositing dirt and debris in your pool, and will also prevent excess rainwater from overflowing your pool.

6. Remind your family and friends to always hose or rinse off any dirt or tanning oil from their hands, feet, and body prior to entering the pool.

7. It's necessary to monitor the bolts and hardware of the pool (eg. rust stain) when possible.

8. Once your pool has been filled with water for th season, take note if your pool becomes overfilled due to rainwater or accidental overfill. If this should occur, it is important to drain or bale out the excess water as soon as possible. If it is an inflatable ring pool, the water level should never be higher than the bottom edge of the inflatable ring.



## 8.0 Trouble shooting

PROBLEM	DESCRIPTION	CAUSE	REMEDY
<b>COLORED WATER</b>	<ul style="list-style-type: none"> <li>Water turns blue, brown, or black when first treated with chlorine.</li> </ul>	<ul style="list-style-type: none"> <li>The chlorine is oxidizing minerals in your water. This commonly occurs with water from different sources.</li> </ul>	<ul style="list-style-type: none"> <li>Adjust pH to recommended level.</li> <li>Run filter until water is clear.</li> <li>Regularly clean cartridge.</li> </ul>
<b>PARTICALS SUSPENDED IN WATER</b>	<ul style="list-style-type: none"> <li>Water looks "milky" or cloudy.</li> </ul>	<ul style="list-style-type: none"> <li>"Hard Water" caused by an elevated pH.</li> <li>Chlorination is inadequate.</li> <li>Foreign debris in water.</li> <li>Bathers are not cleaning their feet prior to entering pool.</li> </ul>	<ul style="list-style-type: none"> <li>Adjust pH. Check with a swimming pool supply retailer for correct water treatment.</li> <li>Ensure proper chlorine level.</li> <li>Clean or replace your filter.</li> <li>Spray off dirt with a high-pressure hose before entry.</li> </ul>
<b>PERSISTENT LOW WATER LEVEL</b>	<ul style="list-style-type: none"> <li>Pool appears to be losing water on a daily basis.</li> </ul>	<ul style="list-style-type: none"> <li>Tear or hole in pool liner.</li> <li>Tear or hole in a filter pump hose.</li> <li>Hose clamps are too loose.</li> <li>Evaporation from high summer temperatures.</li> </ul>	<ul style="list-style-type: none"> <li>Locate damage and repair with the included patch kit.</li> <li>Repair or replace hoses.</li> <li>Tighten all hose clamps.</li> <li>Keep pool covered when not in use.</li> </ul>
<b>ALGAE</b>	<ul style="list-style-type: none"> <li>Water has greenish tint.</li> <li>Green, brown or black spots appear on pool liner.</li> <li>Pool bottom is slippery and/or an unpleasant odor is present.</li> </ul>	<ul style="list-style-type: none"> <li>Algae is present.</li> </ul>	<ul style="list-style-type: none"> <li>Apply "shock" treatment (super-chlorinator). Check pH and adjust to an appropriate level per your local pool supply retailer.</li> <li>Vacuum or lightly scrub pool liner.</li> <li>Test water often to maintain proper chlorine levels.</li> </ul>
<b>POOL WATER IS COOL</b>	<ul style="list-style-type: none"> <li>Water is not warming to a comfortable swimming temperature.</li> </ul>	<ul style="list-style-type: none"> <li>Pool was set up in an excessively shady or tree lined area.</li> <li>Heat is escaping from pool water.</li> </ul>	<ul style="list-style-type: none"> <li>Relocate pool to a more open location where it can get maximum exposure to sunlight during peak daylight hours.</li> <li>Keep your pool covered whenever it is not in use.</li> </ul>

## 9.0 Limited warranty

**We** warrant all components contained in this Pool Set (excluding the filter pump unit) against defects in materials and workmanship under normal use and service, for a period of 90days from the date of purchase for the original owner only.

**If** any of the components have been consumer-replaced, damaged, or misused, the corresponding warranty on those components is invalidated. In this situation, you will be advised of the cost of replacement parts and processing instructions.

**If** a verifiable manufacturing defect is found during the relevant time period, we agree to replace at its option any product under warranty provided proper proof of purchase is presented.

**This** limited warranty is not valid if the product is used for commercial purposes, or if the damage is caused by an accident, consumer misuse, neglect or abuse, vandalism, improper use of chemicals, exposure to extreme weather conditions or negligence during product set up or disassembly.

**We** cannot be held responsible for the cost of installation, labor, or transportation expenses incurred due to the replacement of defective parts. This limited warranty, furthermore, does not cover any unauthorized alterations to the product.



## 2.0 Einführung

Glückwunsch zur Wahl des EXIT Toys Frame Pool!

### **Amüsier dich, sei aktiv und spiele im Freien!**

Für diesen Spaß entwickeln wir innovative und hochwertige Spielzeuge für coole Kids.

Wir tun alles in unserer Macht stehende, um sichere Produkte für Kinder zu entwickeln. Da unsere Produkte als Spielzeuge klassifiziert werden, erfüllen wir die strengsten Sicherheitsvorschriften. Bevor unsere Produkte auf dem Markt kommen, veranlassen wir die Durchführung von unabhängigen Prüfungen zur Zertifizierung. Außerdem kontrollieren wir selbst ständig unsere Produktionsabläufe und lassen diese als weitere Kontrolle regelmäßig durch unabhängige Stellen überprüfen. Nur Produkte, die den höchsten EXIT Toys Standards gerecht werden, werden mit dem EXIT Toys label gekennzeichnet.

Wir danken Ihnen für Ihr Vertrauen in dieses Produkt. Und wir sind sicher, dass Ihre Kinder genau viel Spaß haben werden wie wir ihn während der Entwicklung hatten. Da wir aufgeschlossen sind, schätzen wir wirklich all Ihre Kommentare und Ideen, die uns bei der Verbesserung unserer Produkte bzw. bei der Entwicklung neuer Spielzeuge helfen. Sie sind herzlich eingeladen, uns Ihre Ideen unter [info@exittoys.com](mailto:info@exittoys.com) zu senden.

Besuchen Sie [www.exittoys.com](http://www.exittoys.com) und entdecken Sie weitere tolle neue Produkte.

Das EXIT Toys Team

## 3.0 Sicherheitsanweisungen



**Achten Sie darauf, vor Installation und Benutzung des Pools alle Informationen in dieser Bedienungsanleitung sorgfältig zu lesen, zu verstehen und zu befolgen. Diese Warnungen, Anweisungen und Sicherheitsrichtlinien beziehen sich auf einige allgemeine Gefahren in Verbindung mit wasserbasierten Freizeitaktivitäten, sie können jedoch nicht sämtliche Gefahren und Risiken abdecken. Seien Sie immer entsprechend vorsichtig, vertrauen Sie auf Ihren natürlichen Menschenverstand.**

### Sicherheit von Nichtschwimmern

- 1) Anfänger und Nichtschwimmer sollten kontinuierlich, aktiv und wachsam von einem kompetenten Erwachsenen beaufsichtigt werden (denken Sie daran, dass bei Kindern unter fünf Jahren die größte Gefahr des Ertrinkens besteht);
- 2) Bestimmen Sie einen kompetenten Erwachsenen zur Überwachung des Pools bei jeder Benutzung;
- 3) Anfänger und Nichtschwimmer sollten bei Benutzung des Pools Schwimmhilfen tragen;
- 4) Wenn der Pool nicht benutzt oder nicht beaufsichtigt wird, entfernen Sie alle Spielzeuge aus und rund um den Pool, damit sich Kinder nicht zu nah am Pool aufhalten.

### Sicherheitsvorrichtungen

- 1) Sie sollten eine Barriere installieren (und alle Türen und Fenstern sichern, sofern zutreffend), damit niemand unautorisiert in den Pool steigt;
- 2) Barrieren, Poolabdeckungen, Poolalarme oder ähnliche Sicherheitsvorrichtungen sind praktische Hilfen, ersetzen jedoch keine kontinuierliche und kompetente Beaufsichtigung durch einen Erwachsenen.

### Sicherheitsausrüstung

- 1) Sie sollten Rettungsausrüstung (z. B. Rettungsring) in der Nähe des Pools aufbewahren;
- 2) Bewahren Sie ein funktionierendes Telefon und eine Liste mit Notrufnummern in der Nähe des Pools auf.

### Sichere Benutzung des Pools

- 1) Ermutigen Sie alle Nutzer, insbesondere Kinder, schwimmen zu lernen;
- 2) Erlernen Sie grundlegende lebensrettende Sofortmaßnahmen (Herz-Lungen-Wiederbelebung) und frischen Sie dieses Wissen

regelmäßig auf. Dies kann bei einem Notfall Leben retten;

3) Weisen Sie alle Poolbenutzer, einschließlich Kindern, an, was bei einem Notfall zu tun ist;

4) Springen Sie niemals kopfüber in flaches Wasser. Andernfalls drohen ernsthafte oder sogar lebensgefährliche Verletzungen;

5) Verwenden Sie den Pool nicht, wenn Alkohol oder Medikamente Ihre Fähigkeit zur sicheren Benutzung des Pools beeinträchtigen; Achten Sie darauf, vor Installation und Benutzung des Pools alle Informationen in dieser Bedienungsanleitung sorgfältig zu lesen, zu verstehen und zu befolgen. Diese Warnungen, Anweisungen und Sicherheitsrichtlinien beziehen sich auf einige allgemeine Gefahren in Verbindung mit wasserbasierten Freizeitaktivitäten, sie können jedoch nicht sämtliche Gefahren und Risiken abdecken. Seien Sie immer entsprechend vorsichtig, vertrauen Sie auf Ihren natürlichen Menschenverstand. Bewahren Sie diese Hinweise auf, damit Sie später darin nachlesen können.

6) Wenn Poolabdeckungen genutzt werden, entfernen Sie sie vor dem Einsteigen in den Pool von der Wasseroberfläche;

7) Schützen Sie Poolbenutzer von wasserrelevanten Krankheiten, indem Sie das Poolwasser behandeln und auf gute Hygiene achten. Beachten Sie die Richtlinien zur Wasserbehandlung in der Bedienungsanleitung;

8) Halten Sie Chemikalien (bspw. Produkte zur Wasserbehandlung, Reinigung oder Desinfektion) von Kindern fern.

9) Nutzen Sie die Schilder wie unten gezeigt;

10) Abnehmbare Leitern sollten auf einer horizontalen Fläche angebracht werden.

11) Warnung: Ein abgelassener Pool im Freien kann unvorhersagbare Gefahren verursachen.

**WARNUNG:** Installation und Montage dürfen nur von Erwachsenen durchgeführt werden.

**WARNUNG:** Lesen und befolgen Sie zur Gewährleistung einer sicheren Verwendung des Poolsets die Anweisungen zur Nutzung und Wartung. Bei Nichtbeachtung der Anweisungen zur Nutzung und Wartung können ernsthafte gesundheitliche Risiken – insbesondere für Kinder – entstehen.

**WARNUNG:** Nur für den privaten Einsatz im Freien vorgesehen.

**WARNUNG:** Gefahr des Ertrinkens. Kinder könnten in mobile Pools ertrinken.

**WARNUNG:** Sie sollten durch Installation einer Barriere unautorisierten Zugang zum Pool verhindern.

**WARNUNG:** Kinder im Pool und dessen Umfeld sollten kontinuierlich beaufsichtigt werden.

**WARNUNG:** Nicht tauchen.

<b>ERTRINKEN VERMEIDEN</b> 	<b>WARNUNG</b> Überwachen Sie sorgfältig Kinder, die in oder in der Nähe dieses Pools sind. Kinder unter 5 Jahren sind am meisten gefährdet zu ertrinken.
--------------------------------	--

Abstand zu Abflussröhren und Sauganschlüssen einhalten 	<b>WARNUNG</b> Ihre Haare, Körper und Schmuckstücke können in den Abfluss gesaugt werden. Sie können unter Wasser gehalten werden und ertrinken.
--	---

<b>TAUCHEN VERBOTEN!</b> 	<b>WARNUNG</b> Sie können sich den Hals brechen und gelähmt werden.
------------------------------	--

## 4.0 Aufstellungsort

**WARNUNG:** Pools, die auf unebenen Oberflächen aufgestellt werden, neigen zu Undichtigkeiten, Verformungen oder Zusammensturz, gefolgt von Sachbeschädigung oder schwerer Körpverletzung derjenigen, die sich im oder um den Pool herum aufhalten!

**WARNUNG:** Verwenden Sie für die Aufstellung keinen Sand. Sollte die Verwendung eines „Mittels zur Einebnung“ erforderlich werden, dann ist Ihr Aufstellungsort sehr wahrscheinlich ungeeignet. NICHTBEACHTUNG DIESER WARNUNG KANN SCHWERE KÖRPERVERLETZUNGEN ZUR FOLGE HABEN.

**ACHTUNG:** Wählen Sie Ihren Aufstellungsort sorgfältig aus, denn Rasen und anderer wünschenswerter Pflanzenwuchs wird unterhalb der Bodenplane (sofern vorhanden) absterben. Achten Sie zudem auch darauf, die Bodenplane (sofern vorhanden) nicht auf Bereiche zu legen, in denen häufig kraftvolle Pflanzen- und Unkrautarten sprießen, denn sie könnten sich durch die Bodenplane (sofern vorhanden) bohren.

**ACHTUNG:** Der Pool muss für einen 110- oder 230-Volt-Netzstromanschluss erreichbar sein, der mit einem Fehlerstromschutzschalters (FI-Schalter) geschützt ist. Der Pool muss in einem Mindestabstand von 3 Metern (10 Fuß) zur Stromquelle aufgestellt werden, aber nicht weiter als die Länge der Filterpumpenleitung. Unter keinen Umständen darf eine Verlängerungsschnur verwendet werden, um den Anschlussbereich zu verlängern.

**Das wichtigste ist die Wahl eines geeigneten Aufstellungsortes für Ihren Pool, BEVOR Sie es mit Wasser befüllen. Wählen Sie einen Aufstellungsort, der den folgenden Richtlinien sehr genau entspricht:**

**Anleitung 1.** Überzeugen Sie sich davon, dass der gewählte Ort fest, flach (keine Höcker oder Erdhügel) und extrem eben ist, wobei eine Neigung von mehr als 3 ° an keiner Stelle am Aufstellungsort überschritten werden darf.

**Anleitung 2.** Vergewissern Sie sich, dass der gewählte Aufstellungsort für den Pool komplett frei von Ästen, Steinen, scharfkantigen Gegenständen oder anderen Fremdoobjekten ist.

**Anleitung 3.** Wählen Sie einen Ort, der nicht direkt unterhalb von Stromleitungen oder Bäumen liegt. Achten Sie zudem darauf, dass sich im Untergrund des Aufstellungsortes für den Pool keinerlei Rohrleitungen, Zuleitungen oder Kabel befinden.

**Anleitung 4.** Eine Bodenplane hat den Zweck, die Poolverkleidung vor Beschädigungen aufgrund von Unkrautwuchs, scharfkantigen Gegenständen und Kleinteilen zu schützen.

**Anleitung 5.** Sofern möglich, wählen Sie eine offene Stelle auf Ihrem Grundstück, die direkt von der Sonne bestrahlt wird. Dadurch wird Ihr Pool aufgewärmt.

Flacher, ebener Boden-**RICHTIG**

Hügeliger, schräger Boden-**FALSCH**



## 5.0 Aufstellen des Pools

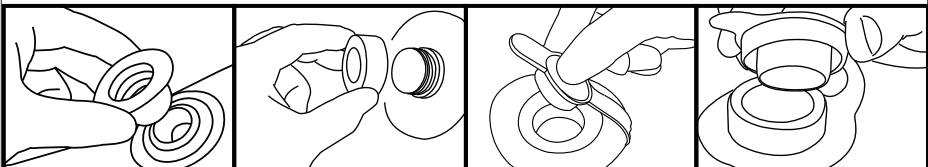
**WICHTIG:** Beginnen Sie nicht mit der Montage, wenn Teile fehlen sollten. Rufen Sie den Kundendienst Ihrer Region an, wenn Sie Ersatzteile benötigen. Die für die Installation benötigte Anzahl an Personen: Mindestens 2 Erwachsene. Die Installationszeit, abgesehen von der Zeit zur Vorbereitung des Aufstellungsortes und zum Befüllen mit Wasser: 30 ~ 45 Minuten

### Schritt 1. Überprüfen Sie das Vorhandensein aller Teile..

Nehmen Sie alle Teile aus ihren Kartons und legen Sie sie dort auf den Boden, wo sie zusammengebaut werden. Prüfen Sie jedes Teil entsprechend der Liste im Abschnitt „DIE EINZELTEILE“ 1.0. Achten Sie darauf, dass alle vorhandenen Teile auch montiert werden.

### Schritt 2. Installieren Sie die Abdeckung der Abflussventile und die Stöpsel

Vergewissern Sie sich, dass der Abflussstöpsel in die Abflusskappe hineingesteckt und die Abdeckung des Abflussventils fest angeschraubt ist. Verschließen Sie die Verbindungslöcher mit den Stöpseln. (Der Abflussstöpsel fällt je nach Poolgröße anders aus.)



STÖPSEL

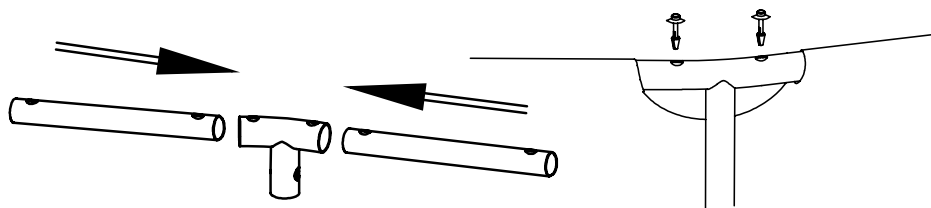
Abdeckung des Abflussventils

Abflussstöpsel A

Abflussstöpsel B

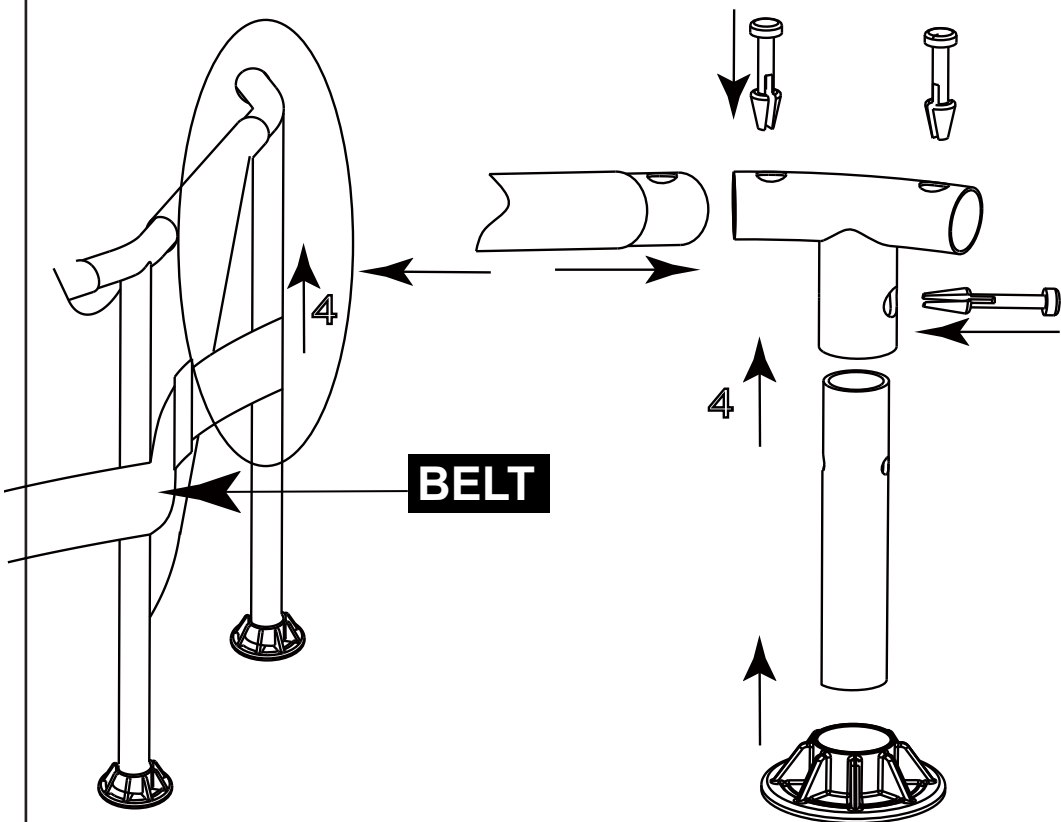


**Schritt 3. Installieren Sie die horizontalen Rohre durch die Hülse**



**Schritt 4. die FüÙe**

**Schritt 5 . T-Stück - Rahmen einbauen**



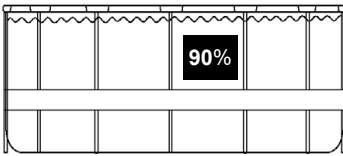
### Schritt 6. Befüllen des Pools

**WARNUNG:** Lassen Sie den Pool nicht unbeaufsichtigt stehen, während Sie ihn mit Wasser befüllen.

**WARNUNG:** Wenn sich an einer Seite mehr als 2,5 ~ 5 cm Wasser ansammelt, bevor die Mitte aufgefüllt ist, steht der Pool nicht eben und muss richtig aufgestellt werden! Ziehen Sie den Abflussstöpsel heraus, lassen Sie das gesamte Wasser ab, demontieren Sie den gesamten Pool und stellen Sie den Pool durch erneute Errichtung anweisungsgemäß ganz eben auf.

**WARNUNG:** Füllen Sie NICHT ZUVIEL Wasser in den Pool, denn der Pool könnte zusammenbrechen. Bei schweren Regenfällen sollten Sie etwas Wasser

abschöpfen, um sicherzustellen, dass der Pegel richtig ist.



1. Vergewissern Sie sich, dass das Abflusszubehör fest hineingesteckt und die Kappe angebracht ist. Beginnen Sie damit, den Pool mit Wasser zu befüllen. Befindet sich ca. 2,5 cm tiefes Wasser im Pool, stoppen Sie die Befüllung und glätten Sie den Poolboden. Ziehen Sie die Außenwand vom oberen Rand rings um den Poolboden nach außen, damit er gleichmäßig befüllt wird.
2. Fahren Sie mit der Poolbefüllung fort, bis Wasserstand

## 6.0 Überwinterung und Langzeitlagerung

**WARNUNG:** Lassen Sie Ihre Kinder während der Entwässerung nicht am Abfluss stehen und dem Wasserauslass zugewandt sein. Die Wasserströmung kann Ihre Kinder fegen.

**WARNUNG:** Der Pool sollte an Orten gelagert werden, an denen er kühl und trocken ist und keine scharfen Gegenstände oder schwere Gegenstände darüber liegen. Dies kann den Pool beschädigen.

**Schritt 1.** Wenn Sie eine Filterpumpe haben, achten Sie darauf, dass die Filterpumpe nicht an eine Stromquelle angeschlossen ist.

**Schritt 2.** Vergewissern Sie sich, dass der Abflussstöpsel innen im Pool fest hineingesteckt ist.

**Schritt 3.** Verbinden Sie Ihren Gartenschlauch mit dem Schlauchadapter und legen Sie das andere Schlauchende dort hin, wo das Wasser gefahrlos abfließen kann, z.B. Gully oder Straßenabfluss. Denken Sie daran, dass das Wasser immer seine eigene Nivellierung findet, so dass das Schlauchende niedriger sein muss als der Pool, um einen kompletten Abfluss sicherzustellen.

**Schritt 4.** Wenn Sie eine Filterpumpe haben, stecken Sie den Stöpsel in die Zufluss- und Abflusshalterungen innen im Pool und trennen Sie dann die Schläuche der Filterpumpe ab.

**Schritt 5.** Verbinden Sie den Schlauchadapter mit dem Abfluss, indem Sie den Adapter im Uhrzeigersinn aufschrauben.

**Schritt 6.** Öffnen Sie den Abflussstöpsel innen im Pool, woraufhin das Wasser sofort abfließt.

**Schritt 7.** Trennen Sie den Schlauch und den Abflussadapter, wenn Sie fertig sind.

**Schritt 8.** Bringen Sie wieder den Abflussstöpsel innen im Pool an.

**Schritt 9.** Vergewissern Sie sich, dass die Poolverkleidung komplett trocken ist, bevor Sie den Pool für eine längerfristige Lagerung zusammenfalten. Wenn Sie den Pool ein paar Stunden dem Sonnenlicht aussetzen, beschleunigt sich der Trocknungsvorgang und es fällt leichter, den Pool für die Lagerung zusammenzufalten. (Versuchen Sie nie, einen Pool zu falten oder zu verstauen, der nicht komplett trocken ist, da dies zur

Verbreitung von Schimmelpilz oder zur Schimmelbildung während der Lagerzeit des Pools führen könnte.)

**Schritt 10.** Vergessen Sie nicht, dass eine angemessene Lagerung außerhalb der Saison ein wichtiger Aspekt zum Schutz Ihrer Investition in Ihrem Pool ist. (Besonders im Winter.) Sobald das gesamte Wasser aus dem Pool abgeflossen und er trocken ist, sollten Sie ihn sorgfältig zusammenfalten und in eine wasserabweisende Bodenplane (falls verfügbar) oder eine Schutzplane aus ähnlichem Material inwickeln. Der Pool mitsamt dem gesamten Zubehör wie Pumpe, Abdeckung, Bodenplane, Leiter, Schläuche, Klemmen und Kleinteile sollte zusammen und in einem angemessenen warmen, trockenen und wettergeschützten Raum in einem Haus aufbewahrt werden.

## 6.1 Faltanleitung

**Vor dem Zusammenfalten ist es ratsam, alle Teile und den Pool zum Trocknen ca. eine Stunde lang in die Sonne zu legen. (Pic. 1). Bepudern Sie den Pool dann mit etwas Talkum, damit das Vinyl nicht zusammenklebt.**

**Schritt 1.** Falten Sie die vorstehende Seite bitte nach innen, um eine rechteckige Form zu erhalten. (Pic. 2).

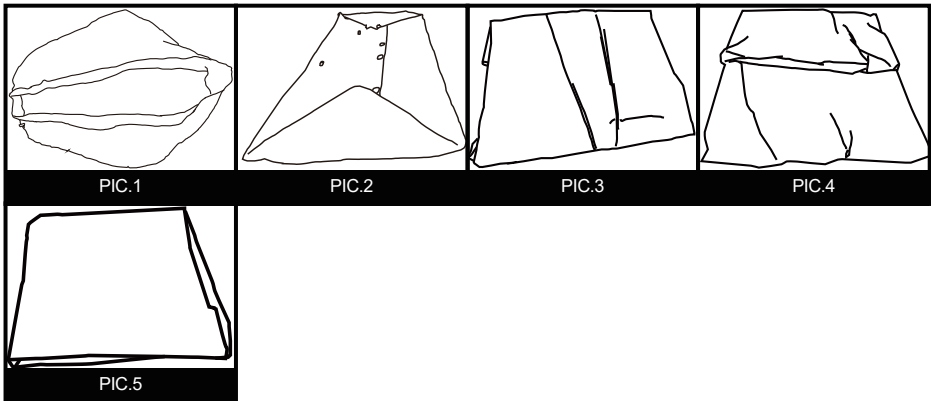
**Schritt 2.** Falten Sie jede Hälfte des Rechtecks, um ein kleineres Rechteck zu erhalten. (Pic. 3).

Schritt 3. Falten Sie alle Enden nach hinten. (Pic. 4).

**Schritt 4.** Falten Sie die restlichen Enden zusammen, um ein einziges Rechteck zu erhalten. (Pic. 5).

**TIPP 1.** Entfernen Sie bitte die Luft im Innern, damit der zusammengefaltete Pool bei jedem Falten dünn und flach wird.

**TIPP 2.** Die Originalverpackung kann für die Lagerung verwendet werden.



## 7.0 Pflege des Pools während der Saison

**WARNUNG:** Die zu Ihrem Pool gehörige Filterpumpe, sofern vorhanden, hat den Zweck, Schmutz und andere kleine Teilchen aus dem Badewasser zu entfernen. Um jedoch ein Badewasser zu bekommen, das stets sauber, frei von Algen und schädlichen Bakterien ist, ist es SEHR WICHTIG, EINEN KONSEQUENTEN PLAN FÜR DIE CHEMISCHE WASSERAUFBEREITUNG UMZUSETZEN. Erkundigen Sie sich bei Ihrem lokalen Händler für Poolartikel nach einem sicheren und wirksamen Einsatz von Chlor, Schockbehandlungen, algentötenden Mitteln und anderen derartigen Chemikalien.

**WARNUNG:** Um Haut- und Augenirritationen oder sogar Verletzungen bei den Badenden zu vermeiden, dürfen Sie niemals Chemikalien in den Pool geben, wenn sich gerade Personen darin befinden. Geben Sie niemals Chemikalien oder Substanzen in Ihren Pool, wenn Sie nicht nachvollziehen können, welche genaue Mengen oder welcher Typ dem Wasser hinzugefügt werden muss. Informieren Sie bei einem Händler für Pools nach Anweisungen und Richtlinien für die Verwendung diesbezüglicher Chemikalien in Ihrem Pool.

**WARNUNG:** Es wird Pool-Besitzern dringendst empfohlen, das Wasser im Pool oft zu testen, um sicherzustellen, dass der pH-Wert und die Chlorkonzentration im Wasser optimal ist für ein sicheren und angenehmes Baden über die gesamte Saison hinweg. Ihr Händler für Poolbedarf berät Sie gerne, um ein geeignetes Testset und Anweisungen für seinen Gebrauch zu finden.

**WARNUNG:** Eine Nichtbeachtung dieser Wartungsregeln kann die Gesundheit der Badenden, insbesondere der von Kindern, stark gefährden.

Dieses Produkt ist ein lagerfähiger, saisonal nutzbarer Pool. Leben Sie in einer Klimazone, in der der Pool nicht ganzjährig genutzt wird, wird DRINGENDST EMPFOHLEN, das Wasser aus dem Pool abzulassen, ihn gründlich zu reinigen und zu trocknen und ihn außerhalb der Saison an einem geschützten Ort aufzubewahren. Auf diese Weise verlängert sich die Lebenszeit Ihres Pools und es wird ein Sicherheitsrisiko eingedämmt, während der Pool nicht genutzt wird. In der Zeit, in der der Pool genutzt wird, muss das Filtriersystem (sofern vorhanden) jeden Tag so lange in Betrieb gesetzt werden, dass die gesamte Wassermenge mindestens einmal ganz erneuert wird.

**Damit das Wasser in Ihrem Pool die gesamte Saison über sauber und hygienisch bleibt, müssen Sie sich streng an die folgenden Richtlinien halten:**

1. Ein richtiger und durchgehender Gebrauch grundlegender Chemikalien für Pools ist erforderlich, um einen angemessenen pH-Wert im Poolwasser aufrecht zu erhalten. Zudem verhindert die Anwendung von Chemikalien das Wachstum schädlicher Bakterien oder Algen in Ihrem Pool und unterstützt die Filterpumpe bei der Reinhaltung Ihres kristallklaren Wassers. Chemikalien, die in Ihrem Pool eingesetzt werden sollten, sind unter anderem:

1) Chlor in Form von Tabletten, Granulat oder Flüssigkeit: Desinfiziert das Poolwasser und verhindert Algenwuchs.

2) Chemikalien, die den pH-Wert regulieren: Diese dienen zur Korrektur den pH-Wertes und machen das Wasser mehr oder weniger sauer.

3) Algenvernichtungsmittel: Diese Chemikalien werden zur Vernichtung von Algen eingesetzt.

4) „Schock“ (Super-Chlorierung): Eliminiert bestimmte organische und anderweitige kombinierte Verbindungen, welche die Klarheit des Wassers beeinträchtigen. Informieren Sie bei einem lokalen Händler für Poolbedarf nach bestimmten Details für den Einsatz von Chemikalien, teilen Sie ihm mit, wieviel Wasser Ihr Pool aufnimmt, und, falls gewünscht, geben Sie ihm eine Probe Ihrem Poolwasser. Er wird dann in der Lage sein, Sie bezüglich folgender Punkte richtig zu beraten: 1) welche Chemikalien gekauft werden sollten, 2) welche Mengen an Chemikalien gekauft werden sollten und 3) wie die einzelnen Chemikalien gefahrlos und effektiv verwendet werden.

2. Achten Sie darauf, dass Chlor niemals direkt mit der Poolverkleidung in Kontakt kommt, sondern erst in einem komplett aufgelösten Zustand. Dies bedeutet, dass Sie Chlor in Granulat- oder Tablettenform erst in einem Eimer mit Wasser auflösen müssen, bevor Sie es in das Poolwasser geben; und flüssiges Chlor muss langsam und gleichmäßig von verschiedenen Stellen um den Pool herum hineingegossen werden. **GEFAHR:** Gießen Sie **NIEMALS** Wasser auf Chemikalien. **SONDERN** fügen Sie Chemikalien dem Wasser hinzu. Vermischen Sie auch niemals getrennte Chemikalien, sondern geben Sie diese getrennt in den Pool, wobei die jeweilige Chemikalie sich erst im gesamten Pool verteilt haben muss, bevor Sie eine andere Chemikalie hinzufügen.

3. Wir empfehlen den Erwerb eines Testsets für eine häufige Kontrolle des Poolwassers, um sicherzustellen, dass der pH-Wert und die Chlorkonzentration optimal sind. Ihr lokaler Händler für Poolbedarf informiert Sie gerne über den Kauf und den Gebrauch eines Testsets, das für Ihren Bedarf am geeignetsten ist. **HINWEIS:** Eine übermäßige Chlorkonzentration und auch niedrige (saure) pH-Werte können die Poolverkleidung beschädigen und erfordern sofortige Maßnahmen zur Behebung, wenn das Testergebnis eines von beiden anzeigt. Das Entfernen von größeren Schmutzteilen aus Ihrem Pool und das Reinigen der Poolverkleidung sind Aufgaben, die ein Pflegeset für Pools, bestehend aus einem Blattabschöpfer und eine mit dem Gartenschlauch betriebene Saugvorrichtung, vereinfacht. Pflegesets enthalten Sie als Bonus beim Erwerb von größeren Poolsystemen, Sie können sie auch separat als Zubehör erwerben. Wenden Sie sich bitte an Ihr Kundendienstcenter vor Ort, wenn Sie Ratschläge für Reparaturarbeiten während der Lebenszeit des Poolsets benötigen.

4. Prüfen Sie die Filterpumpenpatrone alle zwei Wochen (oder häufiger, wenn der Pool häufig benutzt wird), um sich vergewissern, ob sie gereinigt oder ersetzt werden muss. Sieht die Patrone nicht mehr weiß aus, versuchen Sie, die Patrone mit einem starken Wasserstrahl aus Ihrem Gartenschlauch zu reinigen. Lässt sich die Patrone auf diese Weise nicht mehr reinigen, muss sie ersetzt werden. Wenn Sie Ihre Patronen nicht häufig reinigen und/oder ersetzen, beeinträchtigt dies die Wirksamkeit Ihrer Filterpumpe und kann auch ihre Nutzungsdauer verkürzen.

5. Gehört zu Ihrem Poolsystem auch eine Abdeckung, decken Sie den Pool immer ab, wenn er unbenutzt ist. Auf diese Weise können Wind und andere Elemente keinen Schmutz und keine Kleinteile in Ihren Pool hineinbringen und überschüssiges Regenwasser kann Ihren Pool auch nicht zum Überlaufen bringen.

6. Erinnern Sie Ihre Familienangehörigen und Freunde daran, dass sie sich vor Betreten des Pools immer erst den Schmutz oder Hautöle von ihren Händen, Füßen und dem Körper mit einem Schlauch abspritzen oder unter fließendem Wasser abspülen.

7. Die Bolzen und Kleinteile des Pools müssen bei Bedarf untersucht werden (z. B. auf Rostflecke).

8. Sobald Ihr Pool für die Saison mit Wasser aufgefüllt ist, achten Sie darauf, ob er sich aufgrund von Regen oder per Zufall übermäßig auffüllt. In diesem Fall ist es wichtig, das überschüssige Wasser sobald wie möglich abzulassen oder herauszuschöpfen. Wenn es sich um einen aufblasbaren Ringpool handelt, sollte der Wasserpegel niemals höher sein als der Unterrand des aufblasbaren Rings.

## 8.0 Fehlerbehebung

PROBLEM	BESCHREIBUNG	URSACHE	BEHEBUNG
<b>GEFÄRBTES WASSER</b>	<ul style="list-style-type: none"> <li>Wasser verfärbt sich bei erstmaliger Chlorierung blau, braun oder schwarz.</li> </ul>	<ul style="list-style-type: none"> <li>Das Chlor oxidiert mit den Mineralien in Ihrem Wasser. Dies tritt häufig bei Wasser aus unterschiedlichen Quellen auf.</li> </ul>	<ul style="list-style-type: none"> <li>Passen Sie den pH-Pegel dem empfohlenen Wert an.</li> <li>Lassen Sie den Filter laufen, bis das Wasser klar ist.</li> <li>Patrone regelmäßig reinigen.</li> </ul>
<b>PARTIKEL SCHWEBEN IM WASSER</b>	<ul style="list-style-type: none"> <li>Wasser sieht „milchig“ oder trübe aus.</li> </ul>	<ul style="list-style-type: none"> <li>„Hartes Wasser“ aufgrund eines erhöhten pH-Wertes.</li> <li>Unzureichende Chlorierung.</li> <li>Fremdkörper im Wasser.</li> <li>Die Badenden haben vor Betreten des Pools nicht ihre Füße gereinigt.</li> </ul>	<ul style="list-style-type: none"> <li>Passen Sie den pH-Wert an. Erkundigen Sie sich bei einem Händler für Poolbedarf nach der richtigen Wasseraufbereitung.</li> <li>Achten Sie auf einen richtigen Chlorwert.</li> <li>Reinigen oder ersetzen Sie Ihren Filter.</li> <li>Spritzen Sie Schmutz vor dem Betreten mit einem Hochdruckschlauch ab.</li> </ul>
<b>DURCHGÄNGIG NIEDRIGER WASSERSTAND</b>	<ul style="list-style-type: none"> <li>Der Pool scheint täglich Wasser zu verlieren.</li> </ul>	<ul style="list-style-type: none"> <li>Riss oder Loch in der Poolverkleidung.</li> <li>Riss oder Loch in einem Filterpumpenschlauch</li> <li>Schlauchklemmen sind zu locker.</li> <li>Verdunstung aufgrund hoher, sommerlicher Temperaturen.</li> </ul>	<ul style="list-style-type: none"> <li>Finden Sie die beschädigte Stelle und reparieren Sie sie mit dem beigefügten Flicker.</li> <li>Reparieren oder ersetzen Sie die Schläuche.</li> <li>Ziehen Sie alle Schlauchklemmen fest an.</li> <li>Decken Sie den Pool ab, wenn er unbenutzt ist.</li> </ul>
<b>ALGEN</b>	<ul style="list-style-type: none"> <li>Wasser hat eine grünliche Färbung.</li> <li>Grüne, braune oder schwarze Flecken erscheinen an der Poolverkleidung.</li> <li>Boden des Pools ist rutschig und/oder ein unangenehmer Geruch ist vorhanden.</li> </ul>	<ul style="list-style-type: none"> <li>Algenbildung.</li> </ul>	<ul style="list-style-type: none"> <li>Führen Sie eine „Schockbehandlung“ durch (Super-Chlorinierung). Prüfen Sie den pH-Wert und passen Sie ihn so an, wie es Ihnen ein lokaler Händler für Poolbedarf mitgeteilt hat.</li> <li>Saugen Sie die Poolverkleidung ab oder schrubben Sie sie leicht sauber.</li> <li>Prüfen Sie das Wasser oft, um angemessene Chlorwerte beizubehalten.</li> </ul>
<b>POOL-WASSER IST KÜHL</b>	<ul style="list-style-type: none"> <li>Wasser erwärmt sich nicht auf eine angenehme Badetemperatur.</li> </ul>	<ul style="list-style-type: none"> <li>Der Pool wurde an einer sehr schattigen Stelle oder in einem von Bäumen umgebenen Bereich aufgestellt.</li> <li>Hitze entweicht aus dem Poolwasser.</li> </ul>	<ul style="list-style-type: none"> <li>Stellen Sie den Pool an einer offeneren Stelle neu auf, wo er während der Haupttageszeit eine maximale Sonnenbestrahlung erhält.</li> <li>Decken Sie Ihren Pool stets ab, wenn</li> </ul>

## 9.0 Limited warranty

**Wir** sichern einzig dem Originaligentümer eine Garantie gegen Material- und Ausführungsfehlern für einen Zeitraum von 90 Tagen ab dem Kaufdatum bei normaler Verwendung und Wartung auf sämtliche Komponenten zu, die in diesem Set Pool enthalten sind (mit Ausnahme der Filterpumpe).

**Falls** Einzelteile vom Besitzer ausgetauscht, beschädigt oder zweckentfremdet wurden, erlischt die entsprechende Garantie für diese Einzelteile. In diesem Fall werden Ihnen die Kosten für die Ersatzteile und die weiteren Vorgehensweisen mitgeteilt.

**Bei** nachweislichen Herstellungsmängeln reparieren wir sämtliche Produkte innerhalb der Garantiezeit oder tauschen sie (nach unserem Ermessen) aus, sofern ein dazugehöriger Kaufbeleg vorgelegt wird.

**Diese** eingeschränkte Garantie gilt nicht, wenn das Produkt kommerziell eingesetzt wurde oder die Schäden aufgrund von Unfällen, höherer Gewalt, Missbrauch, Fahrlässigkeit, Vandalismus, falschem Einsatz von Chemikalien, extremer Witterung oder Fahrlässigkeit bei der Montage oder Demontage eintraten.

**Wir** haften nicht für Installationskosten, Arbeitsaufwand oder Transportkosten, die beim Austausch von defekten Teilen entstehen. Zudem gilt diese eingeschränkte Garantie nicht für unautorisierte Modifikationen am Produkt.

## 2.0 Introductie

Gefeliciteerd met de aanschaf van uw Frame Zwembad van EXIT Toys!

### **Pret maken, actief leven en buiten spelen.....**

Dat is onze motivatie om innovatief en kwalitatief speelgoed te ontwikkelen voor coole kinderen.

We doen er alles aan om producten te ontwikkelen die veilig zijn voor kinderen. Aangezien onze producten worden geclassificeerd als speelgoed, voldoen we aan de strengste normen op het vlak van consumentveiligheid. Voordat we een product op de markt brengen, laten we onafhankelijke tests uitvoeren voor de vereiste certificaten. We voeren ook voortdurend controles uit tijdens de productie en we laten regelmatig nieuwe onafhankelijke tests uitvoeren als extra controle. Enkel de producten die voldoen aan de strengste normen van EXIT Toys krijgen het EXIT Toys merk.

Wij stellen het zeer op prijs dat u bij ons klant bent en danken u voor het vertrouwen in dit product. We zijn er zeker van dat uw kinderen evenveel van dit product zullen genieten als wij tijdens de ontwikkeling ervan. Omdat we open staan voor uw mening, zijn uw opmerkingen en ideeën steeds welkom zodat we onze producten nog kunnen verbeteren en nieuwe kunnen ontwikkelen. Neem daarom gerust contact op via [info@exittoys.com](mailto:info@exittoys.com).

Bezoek de wereld van EXIT Toys op [www.exittoys.com](http://www.exittoys.com) en ontdek ook onze andere stoere en nieuwe buitenspeel producten.

Het team van EXIT Toys

## 3.0 Belangrijke veiligheidsvoorschriften



**Waarschuwing:** Om meer plezier te beleven aan uw zwembad en de veiligheid van de mensen in en rond het zwembad te garanderen, is het belangrijk dat u de volgende veiligheids- en **onderhoudsinstructies STRIKT NALEEFT.**

- 1). VOOR het instellen of gebruik van het zwembad, is de eigenaar van het zwembad ervoor verantwoordelijk alle lokale en nationale wetten die betrekking hebben op de veiligheid van het bovengrondse zwembad. Deze omvatten, maar zijn niet beperkt tot wetten op: vloeren, hekkens, afsluitingen, afdekkingen, zwembadladders, verlichting en verplichte veiligheidsuitrusting. Raadpleeg hierover de plaatselijke autoriteiten.
- 2). Laat kinderen niet zonder toezicht in het zwembad. Zorg altijd dat minstens één verantwoordelijke volwassenen TEN ALLEN TIJDE op alle kinderen let en op degenen die niet weten te zwemmen. Ga nooit alleen zwemmen/baden in het zwembad.
- 3). NOOIT toestaan dat er in het zwembad wordt gedoken of gesprongen. Ga nooit in het zwembad vanaf een vloer of andere verhoogde oppervlakken. Het waterniveau in uw zwembad is extreem ondiep en is niet geschikt voor deze activiteiten. Het niet naleven van deze instructies kan resulteren in ernstige letsels of zelfs overlijden.
- 4). Laat kinderen of volwassen niet toe om te vechten of andere agressieve sporten of activiteiten in of rond het zwembad uit te oefenen. Het niet naleven van deze richtlijn kan leiden tot ernstige letsels voor mensen die zich in en rond het zwembadgebied bevinden.
- 5). Zorg altijd dat de juiste veiligheidsapparatuur voor het zwembad gemakkelijk bereikbaar is in de buurt van uw zwembad. Zorg dat de telefoonnummers voor noodinstanties, alsmede als veiligheidsregels en waarschuwingen (zoals "Niet springen of duiken" en "Niet alleen zwemmen"). Laat geen baders toe in het zwembad tenzij het gebied voldoende helder of verlicht is.
- 6). Alle filters zijn in overeenstemming met de installatiestandaard NF C 15-100 die bepaalt dat alle elektronische apparaten binnen 3,50 m van het zwembad en vrij toegankelijk zijn een lage spanning van 12V moeten hebben. Alle elektrische apparatuur met 220V stroom moet minstens 3,5 meter van de rand van het zwembad staan. Raadpleeg de fabrikant voor enige wijzigingen van een of meerdere elementen op het filtersysteem (voor Frankrijk).
- 7). De veiligheid van de kinderen hangt volledig af van u! Kleine kinderen jonger dan 5 jaar worden blootgesteld aan maximaal gevaar. Het zijn niet altijd de anderen die een ongeval krijgen! Denk daar altijd aan!
- 8). Toezicht en actie:
  - Wijs een persoon aan die verantwoordelijk is voor de veiligheid.



- Er is meer toezicht vereist wanneer er verschillende personen in het zwembad aanwezig zijn.
- Leer uw kinderen zo snel mogelijk zwemmen.
- Maak de hals, armen en benen van het kind nat voordat het in het water gaat.
- Leer EHBO, vooral specifiek gericht op kinderen.
- Verbied jonge kinderen om in het zwembad te duiken of te springen;
- Verbied loopspelletjes en gewelddadige spellen rond het zwembad;
- Laat geen kinderen die niet kunnen zwemmen, zonder begeleiding in het zwembad;
- Laat geen speelgoed achter in de buurt van een onbewaakt zwembad.
- Houd het water schoon en gezond.
- Bewaar waterbehandelingsproducten buiten het bereik van kinderen.

9). Let altijd op het volgende:

- Houd altijd een telefoon binnen handbereik bij het zwembad zodat u kinderen niet alleen hoeft te laten terwijl u aan de telefoon bent.
- Zorg voor een boei en staaf bij het zwembad.

10). Er zijn nog meer uitrustingen die kunnen bijdragen tot de veiligheid.

- Beschermhek waarvan poort altijd gesloten is (zo kan een tuinhag bijvoorbeeld niet worden beschouwd als een hek).
- Een handmatige of automatische beschermingsafdekking die is geïnstalleerd en vastgezet.
- Een elektronische doorgangs- of valdetector, werkend of operationeel. Geen van deze oplossingen kan echter een nauwgezette supervisie vervangen.

11). Ongeval:

- Trek het kind zo snel mogelijk uit het water.
- Vraag om hulp en ga te werk volgens de opgelegde methode.
- Verwijder de natte kledij en dek het kind af met een warme deken.

12). Onthoud en bewaar noodnummers bij het zwembad:

- Brandweer: (112 voor Europa);
- Medische spoeddienst: (112 voor Europa);

13). Verbied toegang tot het zwembad als de filters van het systeem verslechteren;

14). Niet duiken;

15). Niet op de rand stappen;

16). Waarschuwing: Plaats het lege zwembad nooit in openlucht.

**VERDRINKING VOORKOMEN**

**⚠ WAARSCHUWING**

Houd nauwgezet toezicht op kinderen die zich *in of dichtbij* dit zwembad bevinden. Kinderen jonger dan 5 lopen het meeste risico op verdrinking.

Blijf uit de buurt van afvoerbuizen en aanzuigaansluitingen


**⚠ WAARSCHUWING**

Uw haar, lichaam en juwelen kunnen in de afvoer worden gezogen. U kunt onder water worden gehouden en verdrinken.

**VERBODEN TE DUIKEN!**

**⚠ WAARSCHUWING**

U kunt uw nek breken en verlamd raken.

## 4.0 Locatieselectie

**WAARSCHUWING:** Zwembaden die op onvoldoende egale oppervlakken worden geïnstalleerd, worden aan lekkages, onregelmatige vervormingen of omvallen onderworpen. Dit kan schade aan eigendommen of ernstig letsel aan personen in en rondom het gebied van het zwembad resulteren!

**WAARSCHUWING:** Gebruik geen zand tijdens de installatieprocedure. Als u merkt dat u een "nivelleringsmiddel" nodig hebt, is uw installatielocatie mogelijk niet geschikt. **HET NIET NALEVEN VAN DEZE WAARSCHUWING KAN LEIDEN TOT ERNSTIGE LICHAAMELIJKE LETSELS.**

**VOORZICHTIG:** Kies uw installatiegebied nauwkeurig omdat gras en andere plantengroei onder het grondzeil (indien van toepassing) zal sterven. Probeer daarnaast ook om het grondzeil (indien van toepassing) te plaatsen in een gebied dat vatbaar is voor agressieve plant- en onkruidsoorten, omdat ze door het grondzeil (indien van toepassing) kunnen groeien.

**VOORZICHTIG:** Het zwembad moet toegang hebben tot een AC-stopcontact van 110 of 230 volt dat door een verliesstroomautomaat wordt beschermd. Het zwembad mag niet dichterbij dan 3 meter van de voedingsbron zijn, maar niet verder dan de lengte van de kabel van de filterpomp. Er mag onder geen enkele omstandigheid een verlengsnoer worden gebruikt om het bereik van de verbinding te verlengen.

**Het is absoluut belangrijk dat u voor uw zwembad een geschikte locatie selecteert VOORDAT u probeert het met water te vullen. Selecteer een instellingslocatie die strikt voldoet aan de volgende richtlijnen:**

**Richtlijn 1.** Controleer of het gebied stevig, plat (geen hopen of kuilen van aarde) en extreem waterpas is, met een maximale hellingsgraad van 3° op elk punt in het installatiegebied.

**Richtlijn 2.** Zorg dat het oppervlak die u hebt geselecteerd om het zwembad op te zetten, volledig vrij is van stenen, stokken, scherpe voorwerpen of ander vreemd afval.

**Richtlijn 3.** Selecteer een gebied dat niet direct onder bovenstroomleidingen of

bomen is. Zorg daarnaast dat het instellingsgebied van het zwembad geen ondergrondse pijpleidingen, leidingen of kabels van enige soort bevat.

**Richtlijn 4.** Als bij uw zwembadpakket een gronddoek is geleverd, is het gebruik ervan sterk aanbevolen. Het grondzeil helpt de zwembadbekleding te beschermen tegen schade door de groei van onkruid, scherpe objecten en afval.

**Richtlijn 5.** Kies, wanneer mogelijk, een open locatie op uw terrein dat aan direct zonlicht wordt blootgesteld. Dit helpt uw zwembad te verwarmen.

Platte, effen bodem - **JUIST**

Hobbelige, hellende bodem - **FOUT**



## 5.0 Het zwembad opzetten

**BELANGRIJK:** Start de montage niet als er stukken ontbreken. Bel het nummer van de klantendienst in uw regio voor vervangstukken.

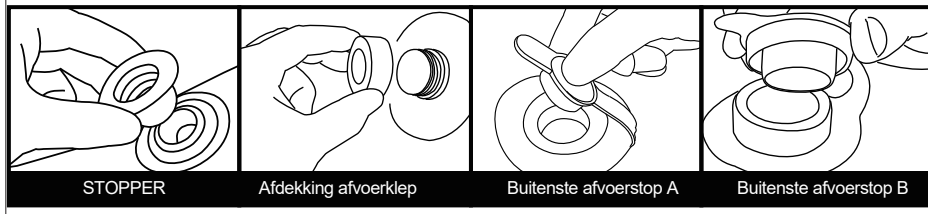
Het aantal personen dat is vereist voor de installatie: minstens twee volwassenen.  
Totale installatieduur zonder de tijd voor de voorbereiding van de locatie en het bijvullen van water: 30 ~45 minuten.

### Stap1. Controle van alle onderdelen

Verwijder alle onderdelen uit de kartonnen verpakking en plaats ze op de grond op de locatie waar ze moeten worden gemonteerd. Controleer elk onderdeel volgens "REFERENTIES ONDERDELEN" 1.0 Controleer of alle onderdelen die moeten worden gemonteerd, aanwezig zijn.

### Stap2. Installeer de stopper en afvoerkleppen.

Controleer of de buitenste afvoerstop in de buitenste afvoerkap zit en of de afdekking van de afvoerklep stevig is vastgeschroefd. Sluit de aansluitopeningen aan op de stoppers. (De buitenste afvoerstop verandert afhankelijk van de grootte van het zwembad.)



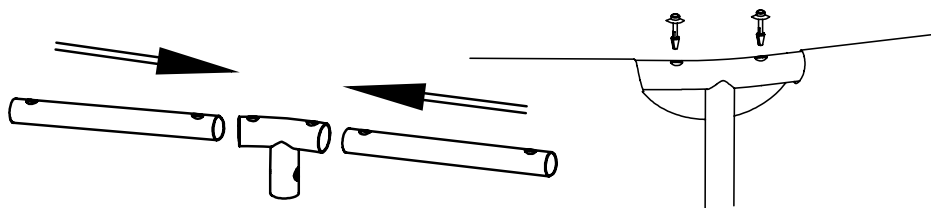
STOPPER

Afdekking afvoerklep

Buitenste afvoerstop A

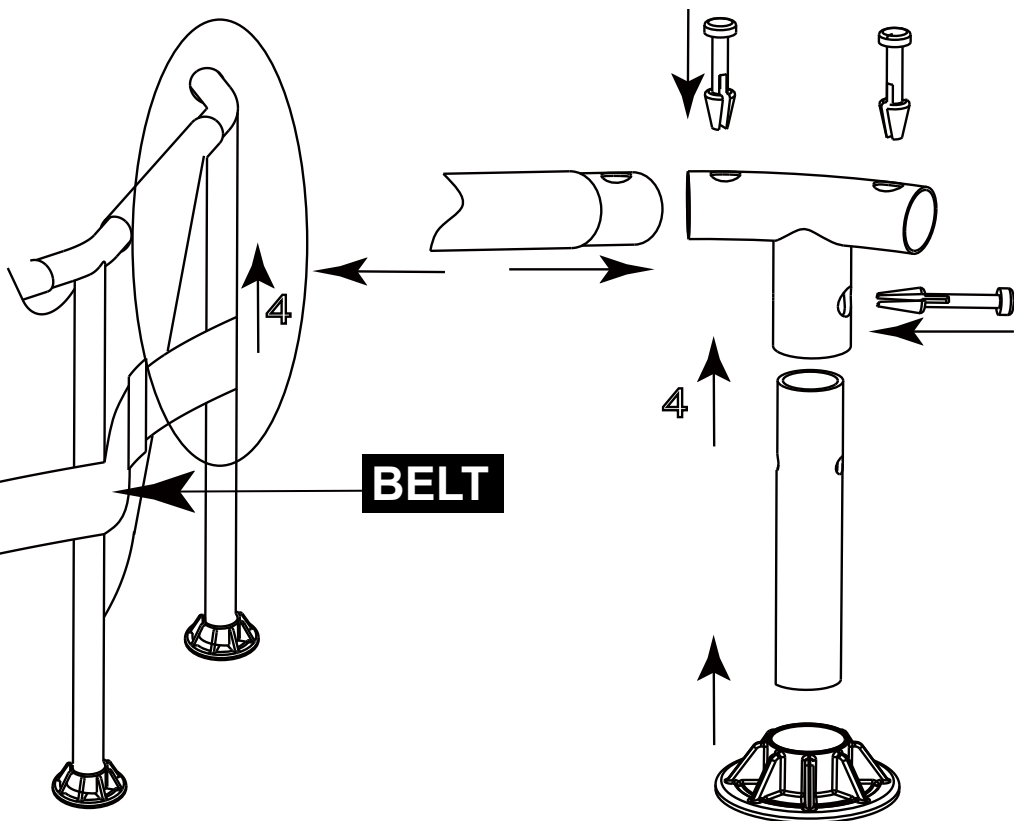
Buitenste afvoerstop B

**Stap 3. Installeer de horizontale buizen door het zeil / de lus**



**Stap 4. Installeer de voetstukken**

**Stap 5. Installeer T-stukken en frame**



**Stap 6. Vul het zwembad met water WAARSCHUWING:** Laat het zwembad niet onbewaakt achter tijdens het vullen met water.

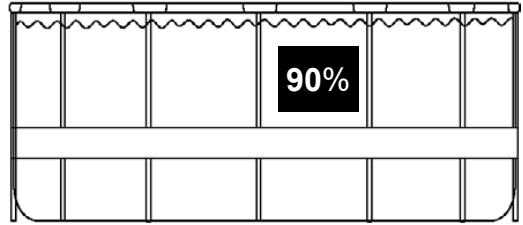
**WAARSCHUWING:** als er meer dan 2,5 - 5 cm water samenstroomt aan een van de zijden voordat het midden wordt gevuld, staat het zwembad niet waterpas genoeg en

moet dat worden gecorrigeerd. U oet de afvoerstop uittrekken, het water volledig laten weglopen, het zwembad volledig demonteren, het zwembad op een effen oppervlak plaatsen en de installatierichtlijnen herhalen.

**WAARSCHUWING:** NIET TE VEEL VULLEN omdat het zwembad hierdoor kan inzakken. Bij zware regenval moet u soms wat water aflaten om zeker te zijn dat het waterpeil goed is.

6.1. Zorg dat het afvoerhulpstuk stevig is aangesloten en de kap op zijn plaats is. Begin het zwembad te vullen met water. Nadat ongeveer 2,5 cm water op de bodem is gevuld, stopt u het vullen en wrijft u de kreuken uit de onderkant van het zwembad. Trek de buitenwand vanaf de bovenrand, helemaal rond de onderkant van het zwembad, zodat het gelijkmatig wordt gevuld.

6.2. Ga door met het vullen van het zwembad tot waterlevel



## 6.0 Demontage en opslag

**WAARSCHUWING:** Laat uw kinderen niet op het omgevouwen deel staan en zorg dat ze niet in de richting van de wateruitlaat gericht zijn tijdens de afvoer. De waterstroom kan uw kinderen meesleuren.

**WAARSCHUWING:** Het zwembad moet worden opgeslagen op een koele en droge plek, waar geen scherpe objecten aanwezig zijn of er geen zware objecten boven liggen waardoor het zwembad kan beschadigd raken.

**Stap 1.** Als u een filterpomp hebt, moet u zorgen dat de elektriciteitsbron naar de filterpomp is losgekoppeld.

**Stap 2.** Controleer of de buitenste afvoerstop stevig in de binnenzijde van het zwembad is gestopt.

**Stap 3.** Bevestig uw tuinslang op de connector van de afvoerklep en plaats het andere uiteinde van de slang in een gebied waar het water veilig kan worden afgevoerd, zoals een stormbekken of een goot. Denk eraan dat water altijd zijn eigen niveau zoekt. Daarom moet het uiteinde van de slang langer liggen dan het zwembad zodat een volledige afvoer is gegarandeerd.

**Stap 4.** Als u een filterpomp hebt, stopt u stopper in de inlaat- en itlaatbevestigingen, op de binnenkant van het zwembad, en koppelt u vervolgens de filterpompslangen los.

**Stap 5.** Bevestig de connector van de afvoerklep op de afvoeruitlaat door de connector rechtsom te draaien.

**Stap 6.** Open de buitenste afvoerstekker op de binnenkant van het zwembad en het water wordt onmiddellijk afgevoerd.

**Stap 7.** Koppel de slang en afvoerklepconnector los wanneer u klaar bent.

**Stap 8.** Vervang de buitenste afvoerstop op de binnenkant van het zwembad.

**Stap 9.** Zorg dat de zwembadbekleding helemaal droog is voordat u het zwembad samenvouwt voor langdurige opslag. Als u het zwembad enkele uren blootgesteld

laat aan zonlicht, wordt het gereinigd en verloopt het drogen sneller zodat het gemakkelijker wordt om het zwembad op te slaan voor opslag. (Probeer nooit een zwembad op te vouwen of op te beregen als het niet helemaal droog is. Anders kan dit leiden tot de vorming van schimmel terwijl het zwembad is opgeslagen.)

**Stap 10.** Denk eraan dat een goede opslag tijdens de winter cruciaal is om uw investering in een zwembad te beschermen. Zodra het leeggemaakt en droog is, moet u het zwembad zorgvuldig opvouwen en in een grondzeil (indien beschikbaar) of een soortgelijk beschermend zeilmateriaal wikkelen. Het zwembad en alle toepasselijke accessoires zoals de pomp, afdekken, grondzeil, ladder, slangen, klemmen en hardware moeten samen worden behouden en binnenshuis worden opgeslagen op een redelijk warme, droge en waterdichte locatie.

## 6.1 Vouw instructies

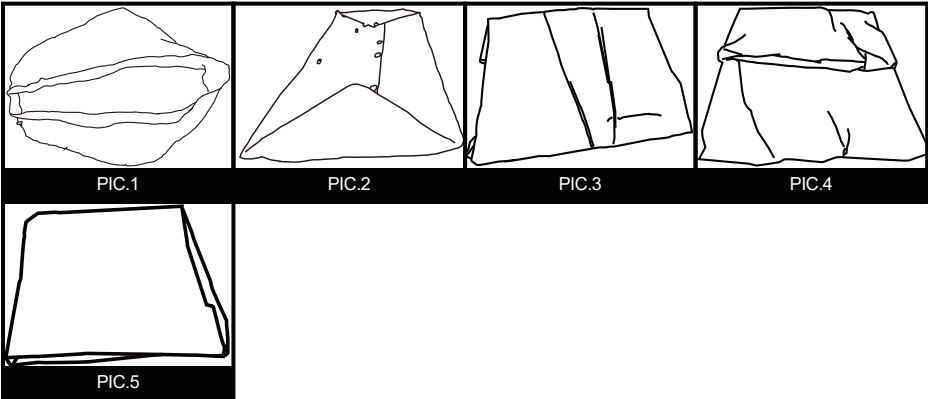
**Vóór het opvouwen is het beter alle onderdelen en het zwembad te drogen door ze ongeveer een uur in de zon te leggen (PIC. 1). Verspreid vervolgens wat talkpoeder om te verhinderen dat het PVC samenplakt.**

**Stap 1.** Vouw de uitstekende zijpanelen naar binnen om de rechthoekige vorm te maken (PIC. 2).

**Stap 2.** Vouw elke helft van de rechthoek om een kleinere rechthoekige vorm te maken (PIC. 3).

**Stap 3.** Vouw elk uiteinde naar achter. (PIC. 4).

**Stap 4.** Vouw de resterende uiteinden samen om een rechthoekige vorm te maken



(PIC. 5).

**TIP 1.** Verwijder de lucht binnenin om het gevouwen zwembad dun en plat te maken tijdens elke vouw.

**TIP 2.** De originele verpakking kan worden gebruikt voor opslag.

## 7.0 Seizoens onderhoud en waterverzorging

**WAARSCHUWING:** Indien toepasselijk, is de filterpomp die bij uw zwembad is geleverd, ontworpen voor het verwijderen van vuil en andere kleine deeltjes uit uw zwembadwater. Om er echter voor te zorgen dat het zwembadwater perfect zuiver,

algenvrij en beschermd is tegen schadelijke bacteriën, is het **HEEL BELANGRIJK EEN CONSISTENT SCHEMA VAN CHEMISCHE BEHANDELING TOE TE PASSEN**. Neem contact op met uw lokale zwembadhandelaar voor richtlijnen over het veilig en effectief gebruik van chloor, schok, algicide en andere dergelijke chemische middelen.

**WAARSCHUWING:** om irritatie van de huid en ogen of zelfs letsels aan baders te voorkomen, mag u nooit chemische producten in het zwembad doen terwijl er personen in het zwembad zijn. Voeg nooit chemische producten of stoffen toe aan uw zwembad als u niet de juiste hoeveelheid of het juiste type kunt controleren om het toe te voegen aan het water. Raadpleeg een zwembadhandelaar voor specifieke instructies en richtlijnen betreffende het gebruik van chemische producten in uw zwembad.

**WAARSCHUWING:** wij raden zwembadeigenaars sterk aan het water in hun zwembad frequent te testen om zeker te zijn dat de pH- en chloorconcentratie in het water optimaal is voor veilig en aangenaam zwemmen gedurende het hele seizoen. Raadpleeg uw zwembadhandelaar voor een geschikte testset en instructies over het gebruik ervan.

**WAARSCHUWING:** Niet-naleving van de onderhoudsvoorschriften kunnen een ernstig gevaar voor de gezondheid, vooral voor kinderen, veroorzaken.

Dit product is bedoeld om buiten het seizoen te worden opgeslagen. Als u in een temperatuursgebied leeft waar het zwembad niet het hele jaar wordt gebruikt, wordt u **TEN ZEERSTE AANGERADEN** om het zwembad leeg te laten lopen, grondig te laten drogen en het voor het buitenseizoen op een beschermde plaats op te slaan. Hiermee verlengt u de levensduur van het zwembad en voorkomt u dat er een veiligheidsrisico optreedt terwijl het zwembad niet in gebruik is. Tijdens het gebruikseizoen van het zwembadpakket, moet het filtersysteem (indien van toepassing) dagelijks worden ingeschakeld, lang genoeg om zeker te zijn dat het watervolume minstens eenmaal is vernieuwd.

**Om uw zwembadwater het hele seizoen schoon en hygiënische te houden, moet u nauwgezet de volgende richtlijnen volgen:**

1. Het juiste en consistente gebruik van standaard chemische zwembadproducten is vereist om een juiste pH-balans in uw zwembadwater te behouden. Bovendien zal het gebruik van chemische producten de groei van schadelijke bacteriën of algen in uw zwembad stoppen en uw filterpomp helpen het water in uw zwembad kristalhelder te houden. Chemische producten die uw zwembad mogelijk nodig heeft, omvatten, maar zijn niet beperkt tot:

1) Chloor in tabletvorm, korrels of vloeibaar: Desinfecteer zwembadwater en verhindert de groei van algen.

2) Chemische stoffen voor de regeling van het PH-gehalte: Deze worden gebruikt voor het corrigeren van PH-niveau en maken water meer of minder zuurhoudend.

3) Algiciden: deze chemische producten worden geformuleerd voor het verwijderen van algen.

4) "Shock" (Superchlorinator): Elimineert bepaalde organisch en andere gecombineerde stoffen die de waterhelderheid kan beïnvloeden. Om specifieke details over het gebruik van chemische producten te verkrijgen, raadpleegt u een lokale zwembadhandelaar en vermeldt u het

volume water in uw specifiek zwembad en, indien gewenst, een staal van uw zwembadmonster. Hiermee zult u ze goed kunnen informeren over: 1) de chemische producten die moeten worden aangeschaft, 2) de aan te kopen hoeveelheid van chemische producten en 3) hoe u specifieke chemische producten veilig en effectief kunt gebruiken.

**2.** Zorg dat chloor nooit in direct contact komt met de bekleding van het zwembad zolang het niet volledig is opgelost. Dit betekent dat chloor in korrels of tabletten eerst moet worden opgelost in een emmer water voordat het in het zwembad wordt gegoten. Op dezelfde manier moet vloeibare chloor gelijkmatig in het zwembadwater worden gegoten vanaf verschillende locaties rond het zwembad.

**GEVAAR:** voeg NOOIT water toe aan chemische producten. Voeg IN PLAATS DAARVAN chemische producten toe aan water. Meng nooit afzonderlijke chemische producten samen. Voeg chemische producten eerder afzonderlijk toe aan het zwembad en laat ze door het zwembad circuleren voordat u extra types chemische producten toevoegt.

**3.** Wij raden u aan een testkit aan te schaffen en uw zwembadwater vaak te testen om zeker te zijn dat de PH-balans en chloorniveaus optimaal zijn. Uw lokale zwembadhandelaar kan informatie bieden over de aankoop en het gebruik van een testset die het meest geschikt is voor uw behoeften. **OPMERKING:** Te hoge chloorniveaus of lage (zuurhoudende) pH-niveaus kan de zwembadbekleding beschadigen. Breng daarom zo snel mogelijk correcties aan als de tests een van de twee omstandigheden aantonen. De taken voor het verwijderen van groter afval uit uw zwembad en het schoon houden van de binnenkant van de zwembadbekleding, worden vereenvoudigd met een snel op te zetten zwembadpakket dat een bladschepnet en een stofzuiger met tuinslang. Onderhoudspakketten zijn inbegrepen als een bonusfunctie in grotere zwembadsystemen. Ze kunnen ook afzonderlijk worden aangeschaft als een accessoire. Neem contact op met uw lokaal centrum voor service na verkoop voor advies over reparaties tijdens de levensduur van het zwembadpakket.

**4.** Controleer, indien toepasselijk, elke twee weken (of vaker tijdens perioden van intens gebruik) de cassette van uw filterpomp om te zien of de deze moet worden gereinigd of vervangen. Als uw cassette niet meer wit is, probeert u deze schoon te spuiten met een krachtige straal water van uw tuinslang. Als uw cassette niet op deze wijze kan worden gereinigd, moet de cassette worden vervangen. Als u de cassettes niet regelmatig reinigt en/of vervangt, wordt de doeltreffendheid van uw filterpomp beïnvloed en kan de nuttige levensduur verkorten.

**5** Als uw zwembadsysteem een afdekking heeft, moet u proberen het zwembad altijd afgedekt te houden wanneer het niet in gebruik is. Hiermee wordt verhinderd dat de wind en andere elementen vuil en afval in uw zwembad afzetten. Bovendien kan het zwembad niet overvol worden door regenwater.

**6.** Herinner uw familie en vrienden eraan om altijd vuil of zonnebrandolie van hun handen en lichaam te spoelen voordat ze in het zwembad stappen.

**7.** Het is nodig de bouten en bouwelementen van het zwembad te controleren (bijv. roestvlek) wanneer dat nodig is.

**8.** Zodra uw zwembad voor het seizoen is gevuld met water, moet u erop letten dat uw zwembad niet overvol raakt door regenwater of door het per ongeluk te veel vullen; In dat geval is het belangrijk zo snel mogelijk overtollig water af te laten of leeg te hozen. Als het een opblaasbaar ringbad is, mag het waterpeil nooit hoger zijn dan de onderste rand van de opblaasbare ring.



## 8.0 Problemen oplossen

PROBLEEM	BESCHRIJVING	OORZAAK	OPLOSSING
<b>GEKLEURD WATER</b>	<ul style="list-style-type: none"> <li>Het water wordt blauw, bruin of zwart wanneer het de eerste keer wordt behandeld met chloor.</li> </ul>	<ul style="list-style-type: none"> <li>Chloor oxideert mineralen in uw water. Dit gebeurt doorgaans met water van verschillende bronnen.</li> </ul>	<ul style="list-style-type: none"> <li>Pas de pH-waarde aan naar het aanbevolen niveau.</li> <li>Laat de filter lopen tot het water helder is.</li> <li>Maak de cassette regelmatig schoon.</li> </ul>
<b>ZWEVENDE DEELTJES IN WATER</b>	<ul style="list-style-type: none"> <li>Water ziet er "melkachtig" of bewolkt uit.</li> </ul>	<ul style="list-style-type: none"> <li>"Hard water" veroorzaakt door een hoge pH-waarde.</li> <li>Chlorering volstaat niet.</li> <li>Vreemd afval in water.</li> <li>Baders reinigen hun voeten niet voordat ze in het zwembad stappen.</li> </ul>	<ul style="list-style-type: none"> <li>Pas de pH-waarde aan. Raadpleeg een zwembadhandelaar voor een correcte waterbehandeling.</li> <li>Zorg voor het juiste chloorniveau.</li> <li>Reinig of vervang uw filter.</li> <li>Spuut vuil af met een hogedrukslang voordat u in het zwembad stapt.</li> </ul>
<b>BLIJVEND LAAG WATERPEIL</b>	<ul style="list-style-type: none"> <li>Het zwembad lijkt dagelijks water te verliezen.</li> </ul>	<ul style="list-style-type: none"> <li>Scheur of gat in de zwembadbekleding.</li> <li>Scheur of gat in een filterpompslang.</li> <li>Slangklemmen zijn te los.</li> <li>Verdamping door hoge zomertemperaturen.</li> </ul>	<ul style="list-style-type: none"> <li>Zoek de schade en repareer deze met de bijgeleverde reparatiekit.</li> <li>Repareer of vervang de slangen.</li> <li>Maak alle slangklemmen vast.</li> <li>Houd het zwembad afgedekt wanneer het niet in gebruik is.</li> </ul>
<b>ALGEN</b>	<ul style="list-style-type: none"> <li>Water heeft een groenachtige tint.</li> <li>Groene, bruine of zware punten verschijnen op de zwembadbekleding.</li> <li>De bodem van het zwembad is glad en/of er is een onaangename geur aanwezig.</li> </ul>	<ul style="list-style-type: none"> <li>Er zijn algen aanwezig.</li> </ul>	<ul style="list-style-type: none"> <li>Pas een "schokbehandeling" toe (superchlorinator). Controleer pH en pas de waarde aan naar een geschikt niveau volgens uw lokale zwembadhandelaar.</li> <li>Stofzuig of schrob de zwembadbehuizing licht.</li> <li>Test vaak het water om geschikte chloorniveaus te behouden.</li> </ul>
<b>HET ZWEMBADWATER IS KOEL</b>	<ul style="list-style-type: none"> <li>Water warmt niet op naar een comfortabele zwemtemperatuur.</li> </ul>	<ul style="list-style-type: none"> <li>Zwembad is geïnstalleerd op een plaats waar veel schaduw is of waar bomen staan.</li> <li>Er ontsnapt warmte aan het</li> </ul>	<ul style="list-style-type: none"> <li>Verplaats het zwembad naar een meer open locatie waar het maximaal wordt blootgesteld aan zonlicht tijdens piekuren.</li> <li>Houd uw zwembad afgedekt wanneer het</li> </ul>

## 9.0 Beperkte Garantie

We bieden voor alle componenten van dit zwembad (zonder de filterpompeenheid\*) een `garantie tegen defecten in materialen en werkuitvoering, gedurende een periode van 90 dagen vanaf de aankoopdatum, bij normaal gebruik en service, alleen voor de originele koper.

**Zijn** er onderdelen door de gebruiker vervangen, beschadigd of onjuist gebruikt, dan is de garantie op die onderdelen ongeldig. In dat geval zullen we u informeren over de prijs van vervangingsonderdelen en de verdere instructies.

**Als** gedurende de relevante tijdsperiode een verifieerbare fabrieksfout wordt gevonden, gaan wij als optie van de garantie voor een product ermee akkoord om het te repareren of te vervangen, mits het juiste aankoopbewijs wordt getoond.

**Deze** beperkte garantie is niet geldig als het product voor commerciële doeleinden wordt gebruikt, of bij schade door een ongeluk, natuurramp, verkeerd gebruik, verwaarlozing of misbruik, vandalisme, onjuist gebruik van chemicaliën, blootstelling aan extreme weersomstandigheden of verwaarlozing tijdens het instellen of demonteren van het product.

**Wij** kunnen niet aansprakelijk worden gesteld voor de kosten van installatie, werkzaamheden of transportkosten die zich door vervanging van defecte onderdelen voordoen. Verder dekt deze beperkte garantie geen onbevoegde wijzigingen die aan het product zelf worden uitgevoerd.



## 2.0 Introduction

Vous venez de faire l'acquisition du EXIT Frame Pool; nous vous en félicitons!

### **S'amuser, être actif et jouer dehors.....**

Nous faisons tout notre possible pour développer des produits sûr pour les enfants. Étant donné que nos produits sont classés comme étant des jouets, nous nous conformons aux réglementations de sécurité des consommateurs les plus rigoureuses. Avant de commercialiser nos produits, nous faisons réaliser des tests indépendants en vue d'obtenir la certification. Nous testons également en continu nos cycles de production et faisons régulièrement réaliser des tests indépendants à titre de contrôle supplémentaire. Seuls les produits qui se montrent à la hauteur de la norme EXIT Toys la plus rigoureuse sont porteurs de l'étiquette EXIT Toys.

Nous souhaitons vous remercier pour l'achat de ce produit et pour votre fidélité. Nous sommes sûrs que vos enfants s'amuseront autant que nous nous sommes amusés durant la phase de développement. Nous sommes très ouverts et preneurs de tous les commentaires et idées qui pourraient nous aider à améliorer nos produits et à en développer de nouveaux. Vous êtes invités à nous envoyer vos idées à [info@exittoys.com](mailto:info@exittoys.com).

Découvrez le monde de EXIT Toys, ses produits de divertissement branchés et ses nouveautés sur [www.exittoys.com](http://www.exittoys.com).

L'équipe EXIT Toys.

### 3.0 RÈGLES IMPORTANTES DE SÉCURITÉ



**AVERTISSEMENT:** O Pour augmenter l'agrément de votre piscine et protéger la sécurité des personnes dans et autour de la piscine, **RESPECTEZ TOUJOURS STRICTEMENT** les instructions de sécurité et de maintenance suivantes

- 1). Il est de la responsabilité du propriétaire de la piscine d'identifier et de respecter toutes les lois locales et nationales concernant la sécurité des piscines hors sol AVANT d'installer ou d'utiliser la piscine. Elles comprennent, mais ne se limitent pas à, des lois sur : les terrasses, les clôtures, les barrières, les couvercles, les échelles de piscine, l'éclairage et les équipements de sécurité exigés. Veuillez consulter les autorités locales pour vous assurer de la conformité.
- 2). Ne laissez pas les enfants sans surveillance dans la piscine. Assurez-vous toujours qu'au moins un adulte responsable encadre tous les enfants et en particulier ceux qui ne savent pas nager, À CHAQUE INSTANT. Ne nagez jamais / ne vous baignez jamais tout seul.
- 3). Ne laissez JAMAIS personne plonger ou sauter dans la piscine. N'entrez jamais dans la piscine depuis une terrasse ou une autre surface surélevée. Le niveau d'eau dans votre piscine est extrêmement peu profond et n'est pas adapté à ces activités. Ne pas respecter ces instructions peut entraîner de graves blessures voire la mort.
- 4). N'autorisez pas les enfants ou les adultes à participer à des « bagarres » ou à d'autres activités ou sports agressifs dans ou autour de la piscine. Ne pas respecter cette directive peut causer de graves blessures pour les personnes dans et autour de la piscine.
- 5). Conservez toujours l'équipement de sécurité approprié de la piscine dans une zone facilement accessible à proximité de votre piscine. Signalez de manière claire les numéros de téléphone de secours ainsi que les bulletins de renseignements et les règles de sécurité (telles que « Défense de sauter et de plonger » et « Ne pas nager seul » N'autorisez pas les baigneurs dans la piscine si la zone n'est pas suffisamment lumineuse ou éclairée.
- 6). Tous les filtrages sont conformes à la norme d'installation NF C 15-100 qui spécifie que tous les équipements électriques situés à moins de 3,50 m du bassin et avec un accès libre doivent avoir une alimentation basse tension de 12 V. Tous les équipements électriques alimentés en 220 V doivent se situer à au moins 3,50 mètres du bord du bassin. Consultez le fabricant en cas de changement d'un ou plusieurs éléments du système de filtrage (pour le marché français).
- 7). La sécurité des enfants dépend entièrement de vous ! Les enfants de moins de 5 ans sont exposés au danger maximal. Les accidents n'arrivent pas toujours aux autres ! Veuillez le garder à l'esprit à tout moment !
- 8). Surveillez et agissez :

- Désigner une personne responsable de la sécurité.
  - La surveillance des enfants doit être rapprochée et constante ;
  - Désignez un seul responsable de la sécurité ;
  - Renforcez la surveillance lorsqu'il y a plusieurs utilisateurs dans la piscine ;
  - Apprenez à nager à vos enfants dès que possible ;
  - Mouillez nuque, bras et jambes avant d'entrer dans l'eau ;
  - Apprenez les gestes qui sauvent et surtout ceux spécifiques aux enfants ;
  - Interdisez le plongeon ou les sauts en présence de jeunes enfants ;
  - Interdisez la course et les jeux vifs aux abords de la piscine ;
  - N'autorisez pas l'accès à la piscine sans gilet ou brassière pour un enfant ne sachant pas bien nager et non accompagné dans l'eau ;
  - Ne laissez pas de jouets à proximité et dans le bassin qui n'est pas surveillé ;
  - Maintenez en permanence une eau limpide et saine ;
  - Stockez les produits de traitement d'eau hors de la portée des enfants ;
- 9). Prévoyez :
- Téléphone accessible près du bassin pour ne pas laisser vos enfants sans surveillance quand vous téléphonez ;
  - Bouée et perche à proximité du bassin ;
- 10). Par ailleurs, certains équipements peuvent contribuer à la sécurité :
- Barrière de protection dont le portail sera constamment maintenu fermé (par exemple une haie ne peut être considérée comme une barrière) ;
  - Couverture de protection manuelle ou automatique correctement mise en place et fixée ;
  - Détecteur électronique de passage ou de chute, en service et opérationnel ;
- mais ils ne remplacent en aucun cas une surveillance rapprochée ;
- 11). En cas d'accident :
- Sortez l'enfant de l'eau le plus rapidement possible ;
  - Appelez immédiatement du secours et suivez les conseils qui vous seront donnés ;
  - Remplacez les habits mouillés par des couvertures chaudes ;
- 12). Mémorisez et affichez près de la piscine les numéros de premiers secours :
- Pompiers : (18 pour la France) ;
  - SAMU : (15 pour la France) ;
  - Centre antipoison ;
- 13). Interdire l'accès au bassin en cas de détérioration du ou des système(s) de filtration :
- 14). Ne pas plonger ;
- 15). Ne pas marcher sur la margelle ;
- 16). Avertissement : Ne mettez jamais la piscine vide à l'air libre.

EMPÊCHER LES NOYADES



**AVERTISSEMENT**

Observez étroitement les enfants qui se trouvent *dans ou à proximité* de cette piscine. Les enfants de moins de 5 ans présentent le risque le plus élevé de noyade.

Restez à l'écart des dispositifs d'évacuation et d'aspiration



**AVERTISSEMENT**

Vos cheveux, votre corps et vos bijoux peuvent être aspirés dans l'évacuation. Vous pourriez être maintenu sous l'eau et vous noyer !

NE PAS PLONGER !



**AVERTISSEMENT**

Vous pouvez vous rompre le cou et rester paralysé !

## 4.0 SÉLECTION DU SITE

**AVERTISSEMENT:** Les piscines installées sur des surfaces insuffisamment de niveau sont soumises à des fuites, à la formation d'irrégularités, ou à l'effondrement, ce qui peut entraîner des dommages matériels ou des blessures graves pour les personnes à l'intérieur ou autour de la piscine !

**AVERTISSEMENT:** N'utilisez pas de sable pendant le processus d'installation. S'il apparaît qu'il y a besoin d'utiliser un « agent de nivellement », votre site d'installation est probablement inadapté. **NE PAS RESPECTER CET AVERTISSEMENT PEUT CAUSER DE GRAVES BLESSURES.**

**ATTENTION:** Veuillez choisir soigneusement votre zone d'installation car la pelouse et la végétation souhaitée sous la toile de sol (le cas échéant) mourra. De plus, essayez d'éviter d'installer la toile de sol (le cas échéant) dans des zones sujettes à des espèces de plantes et de mauvaises herbes agressives, car elles peuvent pousser à travers la toile de sol (le cas échéant).

**ATTENTION:** La piscine doit être accessible à une prise CA 110 ou 230 V protégée par un disjoncteur différentiel de fuite à la terre (DDFT). La piscine ne doit pas être installée à moins de 3 mètres de la source d'alimentation, mais pas au-delà de la longueur du cordon de la pompe filtrante. En aucun cas une rallonge électrique ne doit être utilisée pour étendre la portée du raccordement.

**Il est absolument essentiel de sélectionner un site adapté pour votre piscine AVANT d'essayer de la remplir avec de l'eau. Veuillez sélectionner un site d'installation qui respecte strictement les directives suivantes :**

**Guide 1.** Assurez-vous que la zone est ferme, plane (aucune bosse ou butte de terre) et extrêmement horizontale, avec une déclivité ne dépassant pas 3° de pente en tout point de la zone d'installation.

**Guide 2.** Assurez-vous que la surface que vous avez choisie pour mettre en place la piscine est complètement exempte de bâtons, de pierres, d'objets tranchants ou d'autres débris étrangers.

**Guide 3 .** Sélectionnez une zone qui n'est pas directement sous les lignes électriques aériennes ou les arbres. De plus, assurez-vous que la zone d'installation de la piscine ne contient pas de canalisations, de lignes ou de câbles souterrains d'aucune sorte.

**Guide 4.** Une toile de sol permet de protéger le liner de la piscine des dommages dus aux mauvaises herbes, aux objets pointus et aux débris.

**Guide 5.** Si possible, choisissez un emplacement ouvert de votre propriété qui est exposé à la lumière directe du soleil. Ceci vous permettra de chauffer votre piscine.

Sol plat, horizontal CORRECT

Sol bosselé, en pente-INCORRECT



## 5.0 INSTALLER LA PISCINE

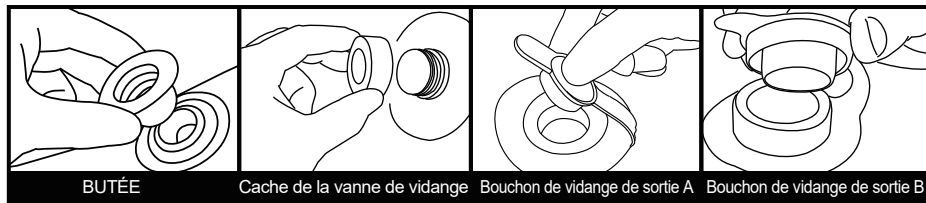
**IMPORTANT:** Ne commencez pas le montage si des pièces sont manquantes. Pour des pièces de rechange, appelez le numéro de téléphone du Service client dans votre région. Le nombre de personnes nécessaire pour le montage: Au moins 2 personnes. Le temps indicatif de réalisation globale hors préparation du terrain et hors mise en eau: 45 ~60 minutes.

### Étape 1. PRISE EN COMPTE DE TOUTES LES PIÈCES.

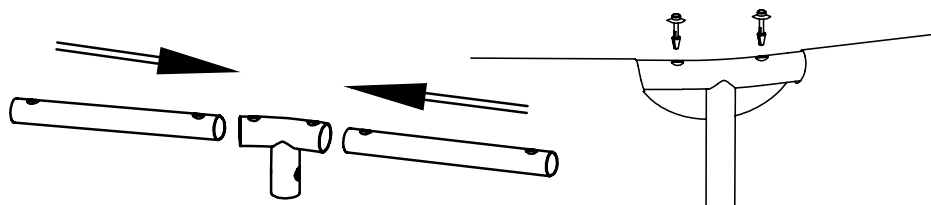
Retirez toutes les pièces du/des carton(s) et placez-les au sol, à l'emplacement où elles doivent être assemblées. Vérifiez chaque pièce selon la « RÉFÉRENCE DES PIÈCES » 1.0. Assurez-vous que toutes les pièces à assembler sont prises en compte.

### Étape 2. INSTALLEZ LE CACHE ET LE BOUCHON DES SOUPAPES DE VIDANGE

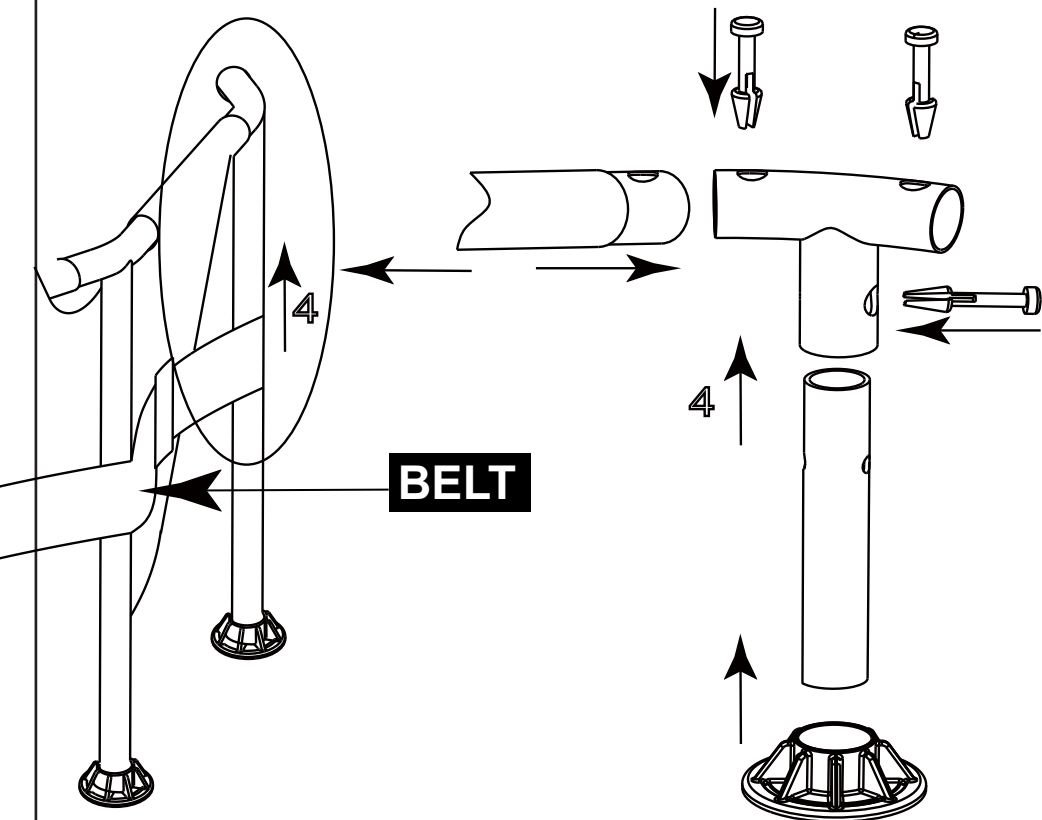
Assurez-vous que le bouchon de vidange extérieur est inséré dans le capuchon de vidange extérieur et que le cache de la soupape de vidange est vissé fermement. Insérez les trous de raccordement avec les bouchons. (Le bouchon de vidange de sortie change en fonction des différentes tailles de piscine.)



### Étape 3. INSTALLEZ LA POUTRE HORIZONTALE À TRAVERS LE MANCHON



**Étape 4. installer les pièces de pied**  
**Étape 5. INSTALLEZ LE RACCORD EN T**

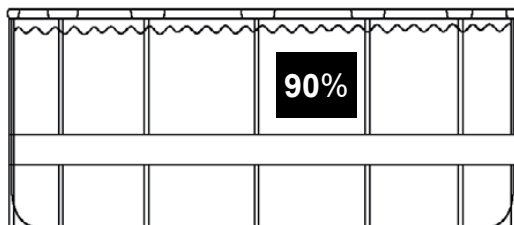


**Étape 6. REMPLIR LA PISCINE D`EAU**

**AVERTISSEMENT:** Ne laissez pas la piscine sans surveillance lors de son remplissage d'eau.

**AVERTISSEMENT:** Si plus d'1 à 2 pouces d'eau s'accumule sur un côté avant que vous ne commenciez à remplir au centre. La piscine n'est pas assez horizontale, ce qui doit être corrigé

! Vous devez retirer le bouchon de vidange, vider complètement l'eau, démonter complètement la piscine, localiser la piscine sur une surface plane et répéter les instructions d'installation.



**AVERTISSEMENT:** NE REMPLISSEZ PAS TROP car cela pourrait entraîner l'effondrement de la piscine. En cas de pluie importante, vous devrez peut-être vider de l'eau pour vous assurer que le niveau est correct.

6.1. Assurez-vous que le raccord de vidange est solidement inséré et que le capuchon est en place. Commencez à remplir la piscine d'eau. Dès qu'environ 1 pouce d'eau est sur le fond, arrêtez de remplir et lissez les plis sur le fond de la piscine. Retirez la paroi extérieure du bord supérieur, sur tout le fond de la piscine, afin qu'il se remplisse de manière homogène.

6.2. Continuez à remplir la piscine jusqu'à ce que la de niveau d'eau.

## 6.0 DÉMONTAGE ET STOCKAGE

**AVERTISSEMENT:** Ne laissez pas vos enfants se tenir sur le pli du bas et face à la sortie de l'eau pendant la vidange. Le courant de l'eau peut emporter vos enfants.

**AVERTISSEMENT:** La piscine doit être stockée dans un endroit frais et sec, sans objet pointu autour ni objets lourds situés au-dessus, ce qui peut endommager la piscine.

**Étape 1.** Si vous avez une pompe filtrante, assurez-vous que la source électrique de la pompe filtrante a été débranchée.

**Étape 2.** Vérifiez que le bouchon de vidange est inséré fermement à l'intérieur de la piscine.

**Étape 3.** Attachez votre tuyau d'arrosage au connecteur de la soupape de vidange et placez l'autre extrémité du tuyau dans une zone où l'eau peut s'écouler en toute sécurité, telle qu'un collecteur d'eaux pluviales ou un caniveau. N'oubliez pas que vu que l'eau trouve toujours son propre niveau, l'extrémité du tuyau doit être moins élevée que la piscine pour assurer une vidange complète.

**Étape 4.** Si vous avez une pompe filtrante, insérez le bouchon dans les dispositifs d'entrée et de sortie, à l'intérieur de la piscine, puis débranchez les tuyaux de la pompe filtrante.

**Étape 5.** Fixez le connecteur de la soupape de vidange à la sortie de vidange en tournant le connecteur dans le sens des aiguilles d'une montre.

**Étape 6.** Ouvrez le bouchon de vidange à l'intérieur de la piscine et l'eau commence à s'évacuer immédiatement.

**Étape 7.** Débranchez le tuyau et le connecteur de la soupape de vidange dès que terminé.

**Étape 8.** Remettez le bouchon de vidange à l'intérieur de la piscine.

**Étape 9.** Assurez-vous que le liner de la piscine a complètement séché avant de plier la piscine pour un stockage à long terme. Laisser la piscine exposée à la lumière du soleil pendant quelques heures nettoie et accélère le processus de séchage et facilite le pliage de la piscine pour son stockage. (N'essayez jamais de plier ou de ranger une piscine qui n'est pas complètement sèche car cela pourrait entraîner une prolifération de moisissure pendant que la piscine est stockée).

**Étape 10.** N'oubliez pas qu'un stockage correct hors saison est crucial pour protéger votre investissement dans votre piscine (en particulier en hiver). Une fois vidée et sèche, votre piscine doit être soigneusement pliée et enveloppée dans un tapis de sol (le cas échéant) ou un autre élément de protection similaire de type bâche. La piscine et tous les accessoires applicables tels que la pompe, le couvercle, le tapis de sol, l'échelle, les tuyaux, les brides de fixation et la quincaillerie doivent être conservés ensemble et stockés à l'intérieur, dans un emplacement raisonnablement chaud, sec et résistant à l'eau.



## 6.1 INSTRUCTIONS DE PLIAGE

**Avant le pliage, il est préférable de sécher complètement toutes les pièces et la piscine en les laissant au soleil pendant environ 1 heure (IMG.1). Puis appliquez du talc pour empêcher le vinyle de rester collé.**

**Étape 1.** Veuillez plier les bords de la protrusion à l'intérieur pour obtenir une forme rectangulaire. (PIC. 2).

**Étape 2.** Pliez chaque moitié du rectangle pour obtenir une forme rectangulaire plus petite (PIC. 3).

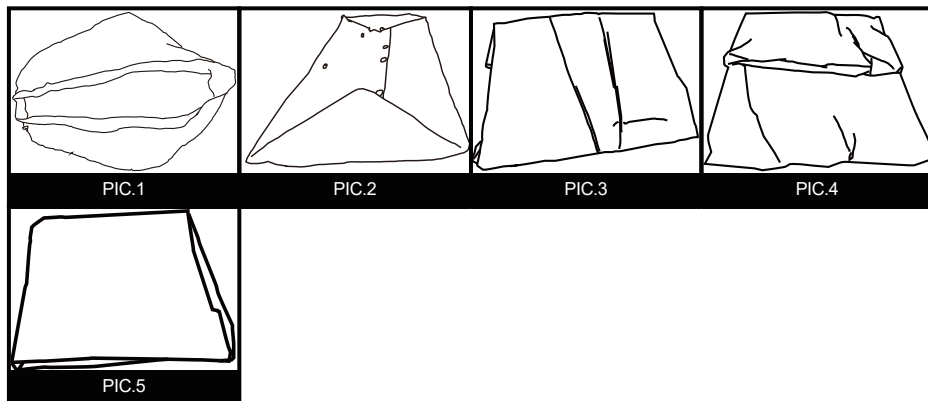
**Étape 3.** Pliez chaque extrémité vers l'arrière. (PIC. 4).

**Étape 4.** Pliez ensemble les extrémités restantes pour créer un dernier rectangle (PIC. 5).

**CONSEIL 1.** Veuillez retirer l'air à l'intérieur pour rendre la piscine pliée fine et plate lors de chaque pliage.

**CONSEIL 2.** L'emballage d'origine peut être utilisé pour le stockage.

## 7.0 MAINTENANCE ET SOIN DE L'EAU



**AVERTISSEMENT:** Le cas échéant, la pompe filtrante incluse avec votre piscine est conçue pour retirer les saletés et les autres petites particules de l'eau de votre piscine. Cependant, pour maintenir l'eau de la piscine parfaitement claire, exempte d'algues et sans bactérie nocive, il est TRÈS IMPORTANT DE MENER UN RÉGIME CONSTANT DE TRAITEMENT CHIMIQUE. Contactez votre détaillant local de fournitures de piscines pour des conseils sur l'utilisation sûre et efficace du chlore, du choc, de l'algicide et d'autres produits chimiques.

**AVERTISSEMENT:** Pour éviter une irritation de la peau et des yeux, voire des blessures aux baigneurs, n'ajoutez jamais de produits chimiques dans la piscine pendant qu'elle est occupée. N'ajoutez jamais de produits chimiques ou de substances dans votre piscine si vous ne pouvez pas vérifier la quantité exacte ou le type à ajouter dans l'eau. Consultez un détaillant en fournitures de piscines pour des instructions et des directives spécifiques concernant l'utilisation de produits chimiques dans votre piscine.

**AVERTISSEMENT:** Il est vivement recommandé que les propriétaires de piscine testent fréquemment l'eau de leur piscine pour s'assurer que le pH et la concentration en chlore de l'eau sont optimaux pour une baignade sûre et agréable pendant toute la saison. Veuillez consulter votre détaillant en fournitures de piscines pour obtenir un kit d'essai adapté et des instructions sur son utilisation.

**AVERTISSEMENT:** Le non-respect des consignes d'entretien peut engendrer des risques graves pour la santé, notamment celle des enfants.

Ce produit est conçu pour être une piscine saisonnière stockable. Si vous habitez dans une zone tempérée où la piscine ne sera pas utilisée toute l'année, il est **FORTEMENT RECOMMANDÉ** de vider votre piscine, de la nettoyer et de la sécher minutieusement et de le stocker dans un endroit protégé hors saison. Cela permettra de prolonger la durée de vie de votre piscine et d'éviter qu'un danger ne se développe alors que la piscine n'est pas en cours d'utilisation. Pendant la saison d'utilisation du kit de piscine, le système de filtration (le cas échéant) doit être mis en service tous les jours, suffisamment longtemps pour garantir au moins un renouvellement complet du volume d'eau.

**Afin de conserver l'eau de votre piscine propre et hygiénique pendant toute la saison, veuillez respecter étroitement les directives suivantes :**

1. L'utilisation appropriée et suivie de produits chimiques de base pour piscines est nécessaire pour maintenir l'équilibre de pH approprié dans l'eau de votre piscine. De plus, l'application de produits chimiques permet d'empêcher le développement de bactéries nocives ou d'algues dans votre piscine et aide votre pompe filtrante à conserver votre eau cristalline. Les produits chimiques pouvant être nécessaires pour votre piscine comprennent mais ne sont pas limités à :

1) Chlore en tablettes, en granulés ou liquide : Désinfecte l'eau de la piscine et neutralise le développement des algues.

2) Produits chimiques d'ajustement du pH : Ils sont utilisés pour corriger le niveau du pH et rendre l'eau plus ou moins acide.

3) Algicides : Ces produits chimiques sont formulés pour retirer les algues.

4) « Choc » (Super chlorinateur) : Élimine certains composants organiques et d'autres combinaisons pouvant affecter la clarté de l'eau.

Afin d'obtenir des détails spécifiques sur l'utilisation des produits chimiques, veuillez consulter un détaillant local de fournitures de piscines et lui fournir le volume d'eau spécifique de votre piscine et, si souhaité, un échantillon de l'eau de votre piscine. Ceci lui permettra de vous renseigner correctement sur : 1) quels produits chimiques acheter, 2) quelles quantités de produits chimiques acheter et 3) comment utiliser des produits chimiques spécifiques en toute sécurité et efficacement.

2. Ne laissez jamais le chlore entrer en contact direct avec le liner de la piscine jusqu'à ce qu'il se soit complètement dissous. Cela signifie que le chlore en granulés ou en tablettes est d'abord dissous dans un seau d'eau avant de l'appliquer à l'eau de la piscine, de même, le chlore liquide est versé lentement et régulièrement dans l'eau de la piscine depuis de nombreux emplacements autour du périmètre de la piscine.

**DANGER** : N'ajoutez JAMAIS de l'eau à des produits chimiques. À LA PLACE, ajoutez toujours les produits chimiques à l'eau. De même, ne mélangez jamais des produits chimiques séparés ensemble, ajoutez plutôt les produits chimiques séparément

dans la piscine et laissez-les circuler dans toute la piscine avant d'ajouter des types supplémentaires de produits chimiques.

**3.** Nous vous recommandons d'acheter un kit de test et de tester fréquemment l'eau de votre piscine pour vous assurer que l'équilibre de votre pH et les niveaux de chlore sont optimaux. Votre détaillant local de fournitures de piscines peut fournir des informations sur l'achat et l'utilisation du kit de test le plus adapté à vos besoins.

**REMARQUE :** Les niveaux excessifs de chlore ou les niveaux faibles (acides) de pH peuvent endommager le liner de votre piscine, veuillez donc prendre des actions correctives dès que possible si le test indique l'un des deux états. Les tâches de retrait des débris plus importants de votre piscine et de maintenir l'intérieur du liner de votre piscine propre sont simplifiées par l'utilisation d'un Kit de maintenance de piscine Prompt Set, qui comprend une écumoire à feuilles et un aspirateur alimenté par le tuyau d'arrosage. Les Kits de maintenance sont inclus en tant qu'élément en supplément dans les systèmes de piscines de plus grandes dimensions, et peuvent également être achetés séparément en tant qu'accessoires. Veuillez contacter votre centre local de service après-vente si vous souhaitez des conseils sur les réparations pendant le cycle de vie du kit de piscine.

**4.** Le cas échéant, vérifiez la cartouche de votre pompe filtrante toutes les deux semaines (ou plus fréquemment pendant les périodes d'utilisation intensive) pour vérifier si elle doit être nettoyée ou remplacée. Si votre cartouche ne présente plus une couleur blanche, essayez de la nettoyer en la pulvérisant avec un jet d'eau fort à l'aide de votre robinet d'arrosage. Si votre cartouche ne peut pas être nettoyée de cette façon, elle doit être remplacée. Ne pas nettoyer et / ou remplacer fréquemment vos cartouches affecte l'efficacité de votre pompe filtrante et peut réduire sa durée de vie.

**5** ASi votre système de piscine comprend un couvercle, essayez de conserver votre piscine couverte à tout moment quand elle n'est pas utilisée. Ceci permet d'empêcher le vent et les autres éléments de déposer des saletés et des débris dans votre piscine, et empêche également l'eau de pluie en excès de trop remplir votre piscine.

**6.** Rappelez à votre famille et à vos amis de toujours arroser au tuyau ou de rincer les saletés ou l'huile solaire de leurs mains, leurs pieds et leur corps avant d'accéder à la piscine.

**7.** Il est nécessaire de contrôler les boulons et la quincaillerie de la piscine (par ex. tache de rouille) dès que possible.

**8.** Une fois que votre piscine a été remplie d'eau pour la saison, notez si votre piscine devient trop remplie en raison de l'eau de pluie ou d'un remplissage trop important accidentel. Si cela se produit, il est important de vidanger ou de vider l'excès d'eau dès que possible. S'il s'agit d'une piscine à anneau gonflable, le niveau d'eau ne doit jamais être supérieur au bord inférieur de l'anneau gonflable.

## 8.0 DÉPANNAGE

PROBLÈME	DESCRIPTION	CAUSE	REMÈDE
<b>EAU COLORÉE</b>	<ul style="list-style-type: none"> <li>L'eau devient bleue, marron ou noire lorsqu'elle est traitée pour la première fois avec du chlore.</li> </ul>	<ul style="list-style-type: none"> <li>Le chlore oxyde les éléments minéraux dans votre eau. Ceci se produit couramment avec de l'eau de plusieurs sources.</li> </ul>	<ul style="list-style-type: none"> <li>Ajustez le pH au niveau recommandé.</li> <li>Faites fonctionner le filtre jusqu'à ce que l'eau soit claire.</li> <li>Nettoyez régulièrement la cartouche.</li> </ul>
<b>PARTICULES EN SUSPENSION DANS L'EAU</b>	<ul style="list-style-type: none"> <li>L'eau a un aspect « laiteux » or sombre.</li> </ul>	<ul style="list-style-type: none"> <li>« Eau calcaire » en raison d'un pH élevé.</li> <li>La chloration n'est pas adéquate.</li> <li>Débris étrangers dans l'eau.</li> <li>Les baigneurs ne nettoient pas leurs pieds avant d'entrer dans la piscine.</li> </ul>	<ul style="list-style-type: none"> <li>Ajustez le pH. Identifiez avec un détaillant de fournitures de piscines le traitement d'eau correct.</li> <li>Assurez le niveau approprié de chlore.</li> <li>Nettoyez ou remplacez votre filtre.</li> <li>Retirez la saleté en pulvérisant avec un tuyau à haute pression avant d'entrer.</li> </ul>
<b>FAIBLE NIVEAU D'EAU PERSISTANT</b>	<ul style="list-style-type: none"> <li>Il apparaît que la piscine perd de l'eau quotidiennement.</li> </ul>	<ul style="list-style-type: none"> <li>Déchirure ou trou dans le liner de la piscine.</li> <li>Déchirure ou trou dans un tuyau de pompe filtrante.</li> <li>Les colliers de serrage du tuyau sont trop desserrés.</li> <li>Évaporation en raison des températures élevées en été.</li> </ul>	<ul style="list-style-type: none"> <li>Localisez le dommage et réparez-le avec le kit de réparation inclus.</li> <li>Réparez ou remplacez les tuyaux.</li> <li>Serrez tous les colliers de serrage des tuyaux.</li> <li>Maintenez la piscine couverte quand elle n'est pas utilisée.</li> </ul>
<b>ALGUES</b>	<ul style="list-style-type: none"> <li>L'eau a une teinte verdâtre.</li> <li>Des taches vertes, marron ou noires apparaissent sur le liner de la piscine.</li> <li>Le fond de la piscine est glissant et/ou une odeur désagréable est présente.</li> </ul>	<ul style="list-style-type: none"> <li>Des algues sont présentes.</li> </ul>	<ul style="list-style-type: none"> <li>Appliquez le traitement « choc » (super chlorinateur). Vérifiez le pH et ajustez-le à un niveau approprié selon votre détaillant local de fournitures de piscines.</li> <li>Passez l'aspirateur ou frottez légèrement le liner de la piscine.</li> <li>Testez régulièrement l'eau pour maintenir des niveaux de chlore appropriés.</li> </ul>
<b>L'EAU DE LA PISCINE EST FROIDE</b>	<ul style="list-style-type: none"> <li>L'eau ne se réchauffe pas à une température de baignade confortable.</li> </ul>	<ul style="list-style-type: none"> <li>La piscine a été installée dans une zone excessivement ombragée ou bordée d'arbres.</li> <li>La chaleur s'échappe de l'eau de la piscine.</li> </ul>	<ul style="list-style-type: none"> <li>Déplacez la piscine dans un endroit plus ouvert où elle pourra bénéficier d'une exposition maximale à la lumière du soleil pendant les heures de pic de lumière du soleil.</li> <li>Maintenez votre piscine couverte quand elle n'est pas utilisée.</li> </ul>

## 9.0 GARANTIE LIMITÉE

**Nous** garantissons tous les composants contenus dans cette piscine (à l'exception de l'unité de pompe filtrante) contre les défauts de matières et de fabrication dans le cadre d'une utilisation normale, pour une période de 90 jours à compter de la date d'achat pour le propriétaire initial uniquement.

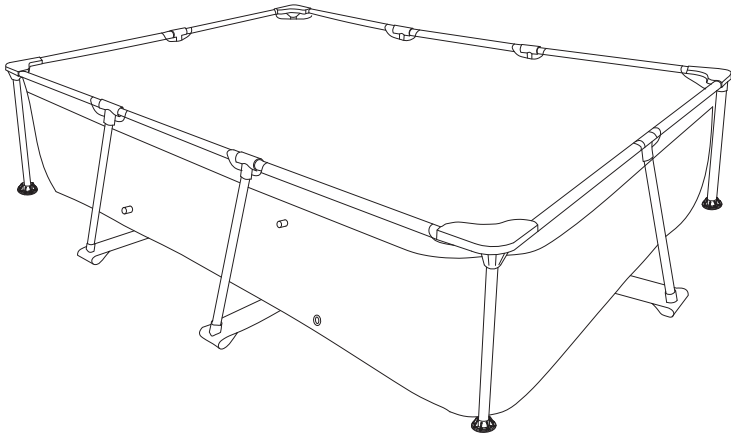
**Si** certains des composants ont été remplacés, endommagés ou mal utilisés par le consommateur, la garantie correspondant à ces composants est invalidée. Dans cette situation, vous êtes tenu informé du coût des pièces de rechange et des frais de traitement.

**Si** un défaut de fabrication vérifiable est détecté au cours de la période appropriée, nous nous engageons à réparer ou à remplacer, à notre discrétion, tout produit sous garantie pourvu qu'une preuve d'achat adéquate ait été présentée.

**Cette** garantie limitée n'est pas valide si le produit est utilisé à des fins commerciales, ou si le dommage est causé par un accident, une catastrophe naturelle, une utilisation abusive du consommateur, une négligence ou des mauvais traitements, des actes de vandalisme, une mauvaise utilisation de produits chimiques, une exposition à des conditions météorologiques extrêmes ou une négligence au cours de la mise en place ou du démontage du produit.

**Nous** ne pouvons pas être tenus responsables des frais d'installation, de main d'œuvre ou de transport, engagés en raison du remplacement des pièces défectueuses. Cette garantie limitée, en outre, ne couvre pas les modifications non autorisées du produit.





Contact:  
Dutch Toys Group  
Edisonstraat 83, 7006RB, Doetinchem , the Netherlands  
P.O. Box 369, 7000AJ, Doetinchem, the Netherlands

[info@exittoys.com](mailto:info@exittoys.com)  
[www.exittoys.com](http://www.exittoys.com)

*EXIT is a registered trade mark of Dutch Toys Group*

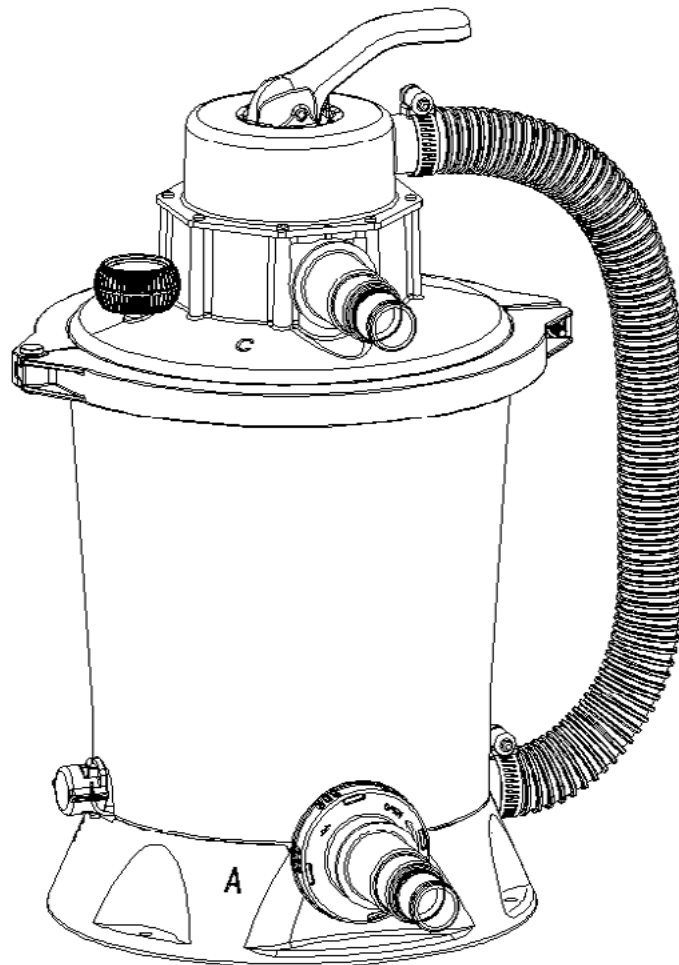
SFP7-16-NL



**Jilong**<sup>®</sup>

# **HANDLEIDING ZANDFILTERPOMP**

**290729XX / 290730XX**



**Other languages**

DE: page 10

UK: page 19

## Productspecificaties

Model	290729XX	290730XX
Maximale werkdruk	<0.2bar (3psi)	< 0.3bar(4.5psi)
Spanning	12 V	
Effectief filtratiegebied	0.058m <sup>2</sup> (0.62ft <sup>2</sup> )	0.058m <sup>2</sup> (0.62ft <sup>2</sup> )
Maximale stroomsnelheid water	800 gallons/uur (3028/uur)	1000 gallons/uur (3785/uur)
Maximale watertemperatuur	35°C	
Aanbevolen filtermedium	20# kwartszand of glaszand, met deeltjesgrootte van 0,45-0,85 mm, (d.w.z. 0,018-0,033 inch), en waarvan de algehele deeltjesuniformiteitscoëfficiënt kleiner is dan 1,75.	
Aanbevolen aantal media	Kwartzand of glaszand, 10 kg	

### Aandachtig lezen en bewaren om later te raadplegen

## Veiligheidsinstructies

Volg altijd de standaard veiligheidsmaatregelen voor installatie en gebruik van deze elektrische apparatuur, inclusief

**WAARSCHUWING:** Dit toestel kan worden gebruikt door kinderen vanaf 8 jaar en personen met een verminderde lichamelijke, zintuiglijke of mentale vermogens, of met gebrek aan ervaring en kennis, als ze onder toezicht staan of de nodige instructies betreffende het veilige gebruik van het apparaat hebben ontvangen en als ze de gevaren begrijpen. Kinderen mogen niet met het toestel spelen. De reiniging en het gebruikersonderhoud mag niet gebeuren door kinderen zonder toezicht.

**WAARSCHUWING:** Kinderen mogen niet zonder toezicht bij het apparaat spelen

**WAARSCHUWING:** Het product moet weg staan van het product, zodat kinderen er niet op kunnen klimmen.

**WAARSCHUWING:** Er bestaat een risico op elektrische schok. Dit product mag alleen worden aangesloten op een stopcontact met beschermende aarding. Als het stopcontact niet geaard is, dient u contact op te nemen met een bevoegde elektricien voor installatie. Dit stopcontact heeft een maximale lekstroom van 30mA. Gebruik geen verplaatsbaar stopcontact.

**WAARSCHUWING:** de pomp moet van stroom worden voorzien via een differentieelschakelaar (RCD) met een nominale restwerkstroom die niet hoger is dan 30 mA.

**WAARSCHUWING:** Om dit product te verwijderen voor reiniging, onderhoud of aanpassing, trekt u de voedingsstekker uit het stopcontact.

**WAARSCHUWING:** Begraaf de draad niet in de bodem. Het moet op een veilige locatie worden gelegd waar het niet kan worden beschadigd door de grasmaaier en andere apparatuur.

**WAARSCHUWING:** De voedingskabel mag niet worden vervangen. Als de kabel

beschadigd is, moet het apparaat worden verwijderd.

**WAARSCHUWING:** Om het risico op een elektrische schok te reduceren, moet u geen verlengsnoer, timer, stekkeradapter of omvormer aansluiten op het filterhuis. Zorg voor een vast stopcontact.

**WAARSCHUWING:** Als u op een plaats met water staat of als uw handen nat zijn, moet u de stekker van de draad niet uit het stopcontact halen.

**WAARSCHUWING:** Nadat dit product is geïnstalleerd, moet de installatiepositie van de stekker zichtbaar zijn voor de gebruiker en moet gemakkelijk toegankelijk zijn.

**WAARSCHUWING:** Als het product in gebruik is, mag u dit niet starten.

**WAARSCHUWING:** Alleen volwassenen mogen dit product installeren en verwijderen.

**WAARSCHUWING:** Dit product kan alleen worden gebruikt met een verplaatsbaar product. Niet gebruiken in combinatie met een vast product. Het verplaatsbare product kan worden verwijderd voor wateropslag en kan opnieuw worden geïnstalleerd op de oorspronkelijke positie.

**WAARSCHUWING:** Voor het vermijden van schade aan het product en het risico op letsel, moet u het product uitschakelen voorafgaand aan het draaien van de stand van de stuurklep.

**WAARSCHUWING:** Om het risico op absorptie te verminderen, mag u dit niet in het product stoppen als de filter los, beschadigd, vernietigd of verloren is. In de bovenstaande omstandigheden, moet u de filterafdekking onmiddellijk vervangen.

**WAARSCHUWING:** Niet dicht bij de filterafdekking spelen of zwemmen. Uw lichaam of haar kan worden ingezogen met permanent lichamelijk letsel of verdrinken als gevolg.

**WAARSCHUWING:** Wanneer de op de drukmeter van het huis weergegeven waarde een vooraf bepaalde maximumwaarde overschrijdt, moet u dit product niet starten.

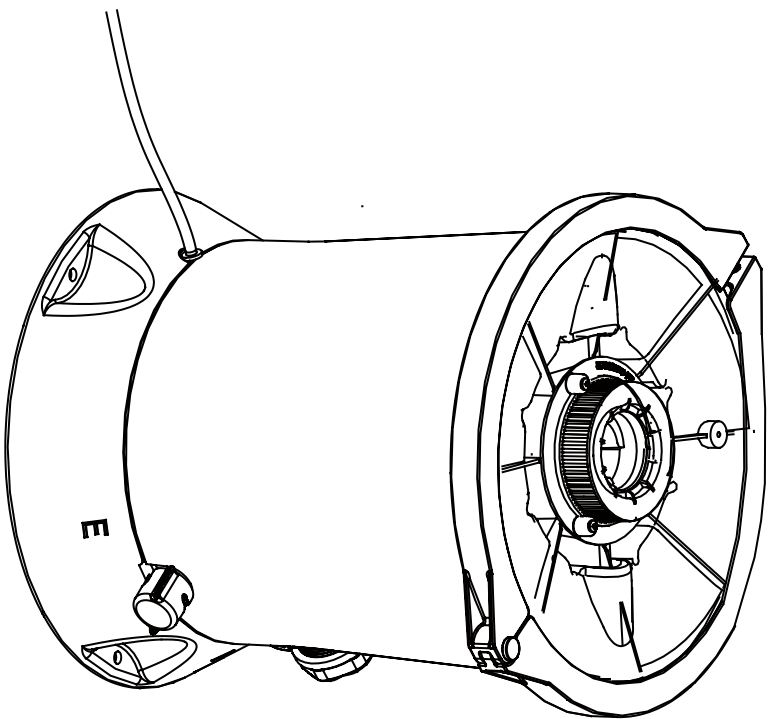
**WAARSCHUWING:** Er bestaat een risico op drukt. Elke verkeerde installatie van de cilinderkop kan schade veroorzaken, wat kan leiden tot ernstige letsels, overlijden of materiële schade.

**NB:** dit product is beperkt tot de doeleinden als omschreven in de specificatie.

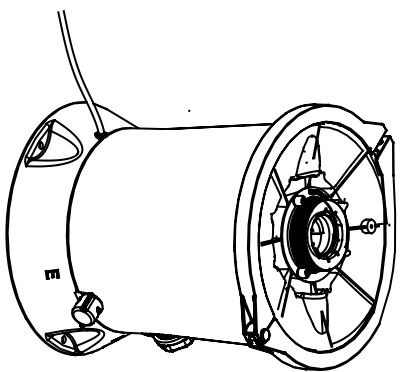
**WAARSCHUWING:** De maximale totale kop: 1,5m.



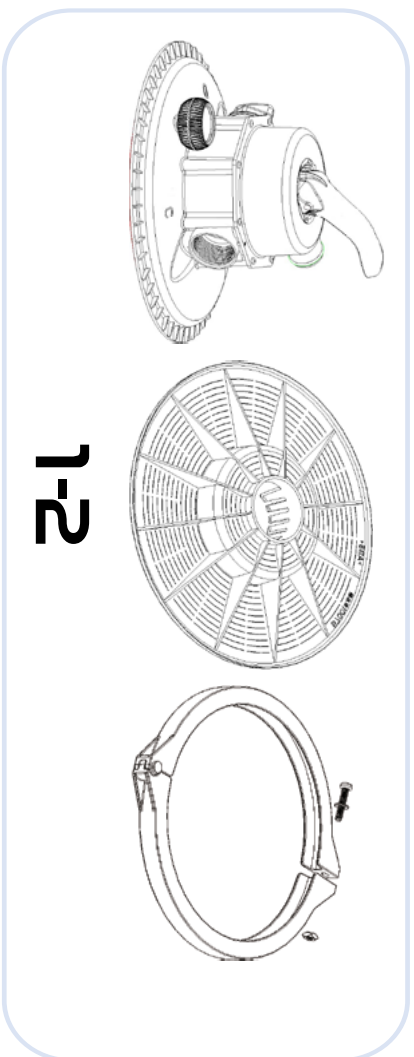
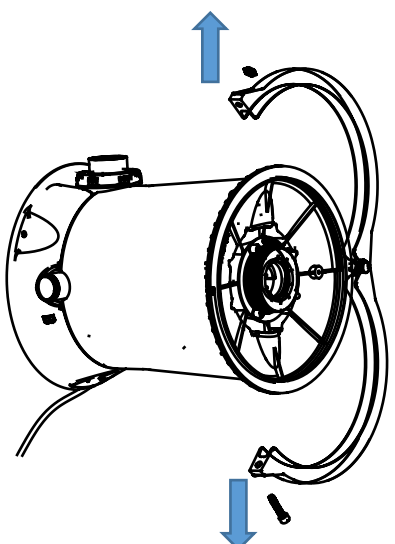
1



1-1-1



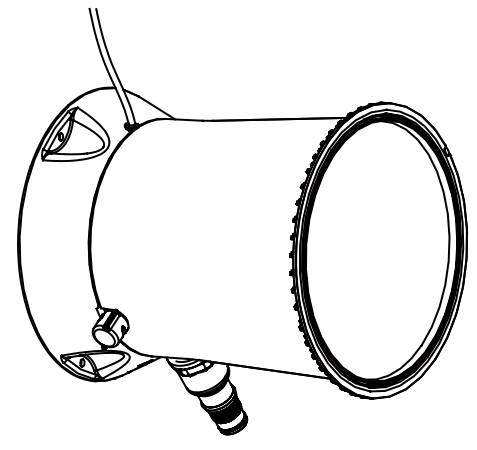
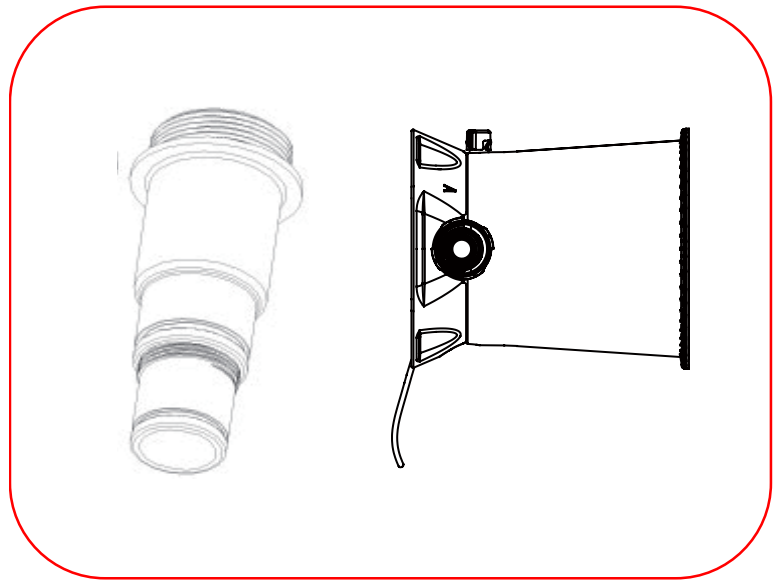
1-1-2



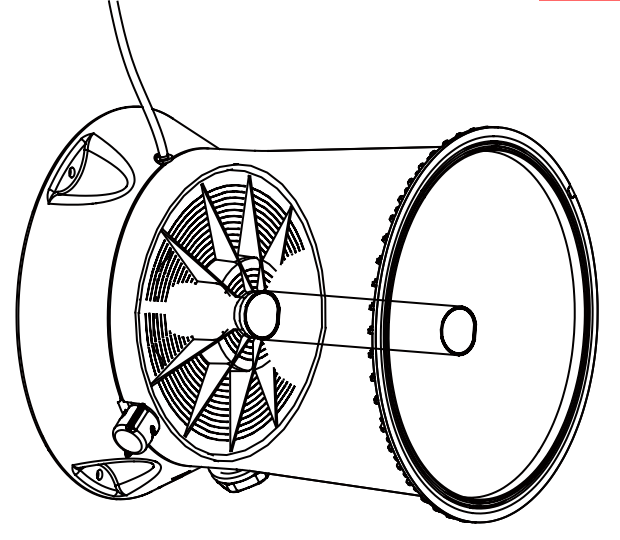
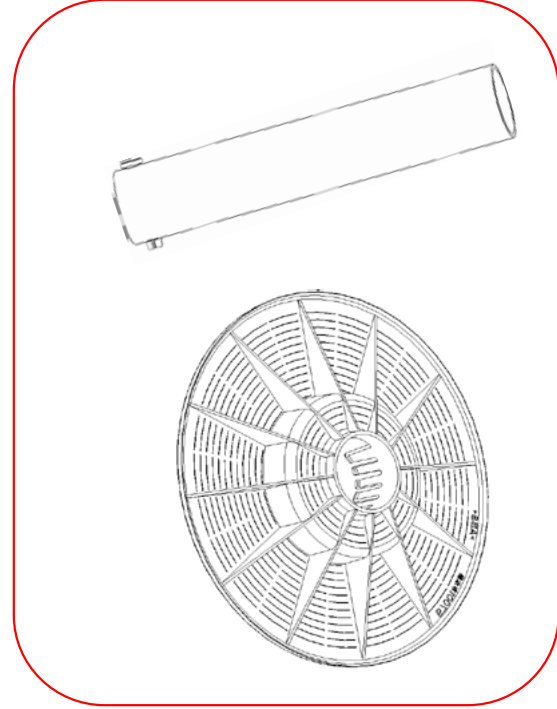
1-2

<p>395053</p>	<p>395059</p>	<p>395061</p>	<p>395062</p>
<p>395072</p>	<p>395064</p>	<p>395066 Ø38mm x2</p>	<p>395067 Ø32mm x4</p>
<p>395068</p>	<p>395063 Ø32/Ø38mm x2</p>	<p>395065 Ø38mm</p>	<p>JL290369 Ø32mm x2</p>

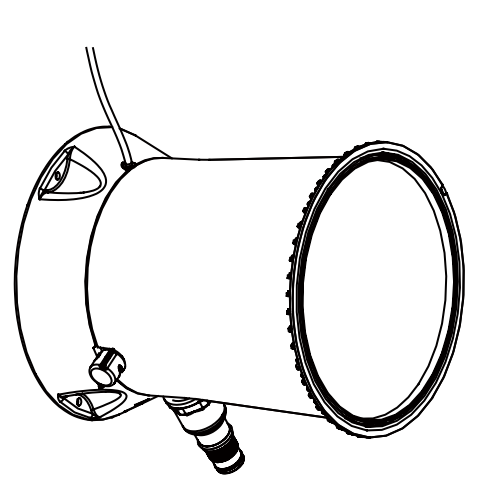
2



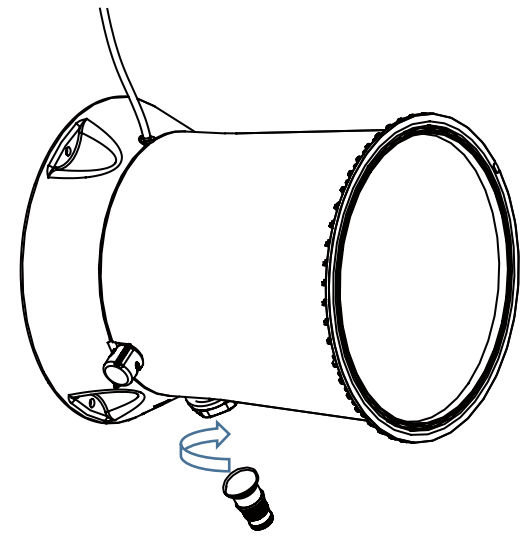
3



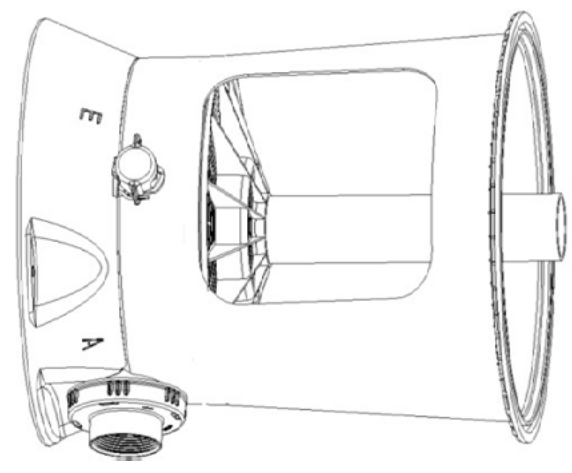
2-2



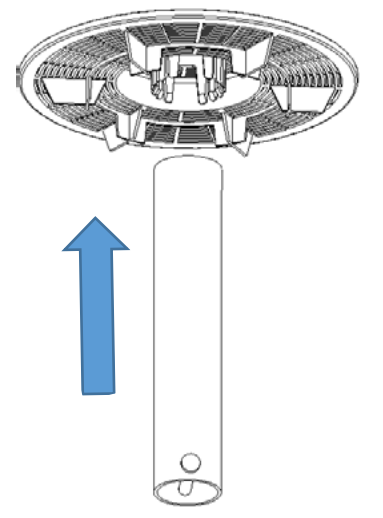
2-1



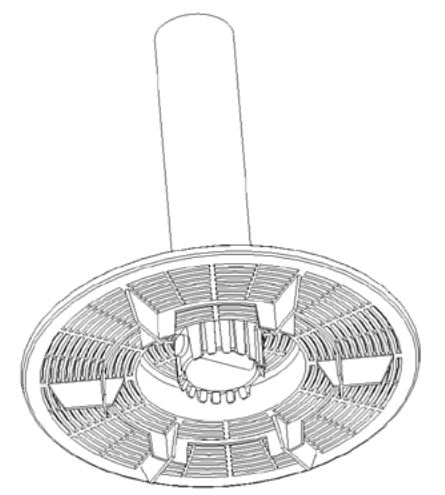
3-2

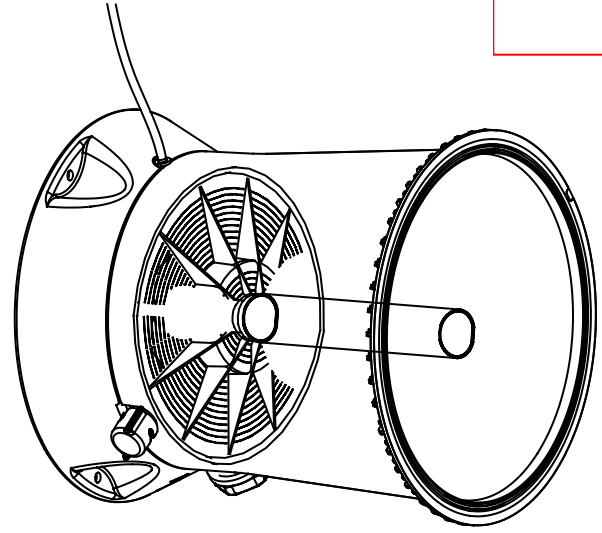
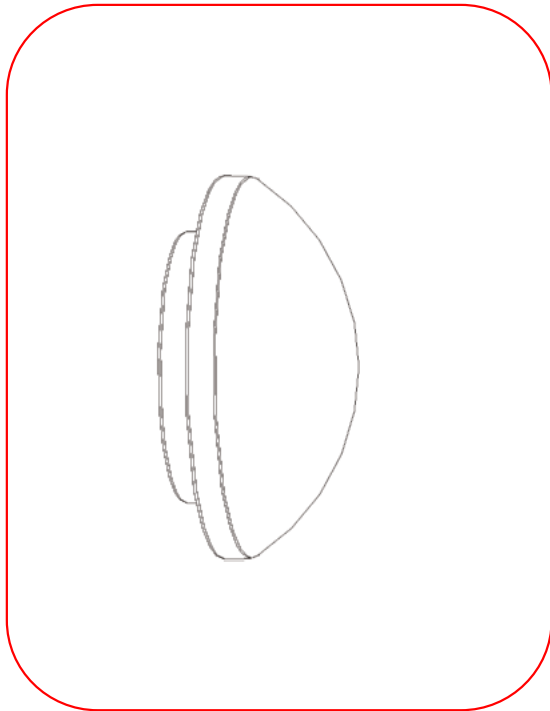


3-1-1



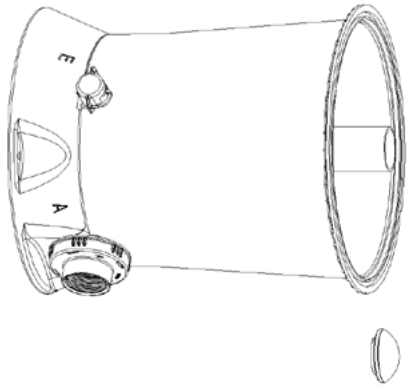
3-1-2



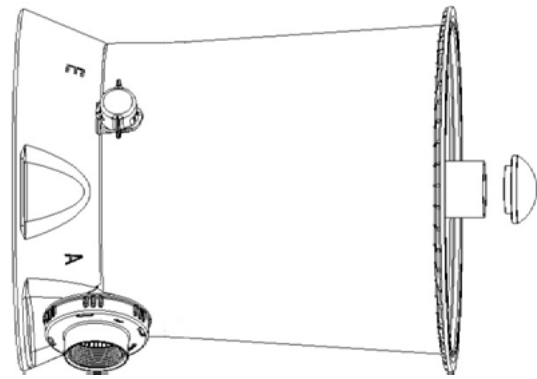


4

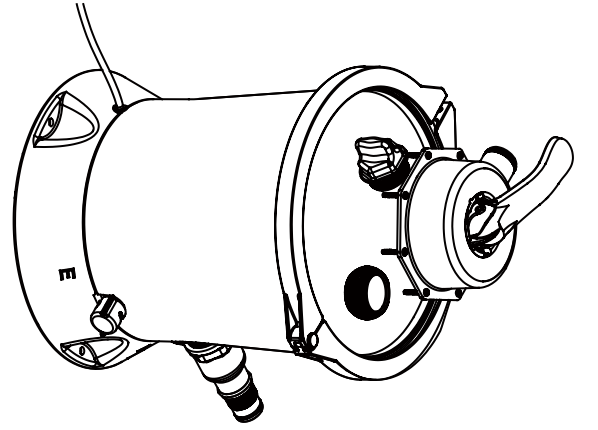
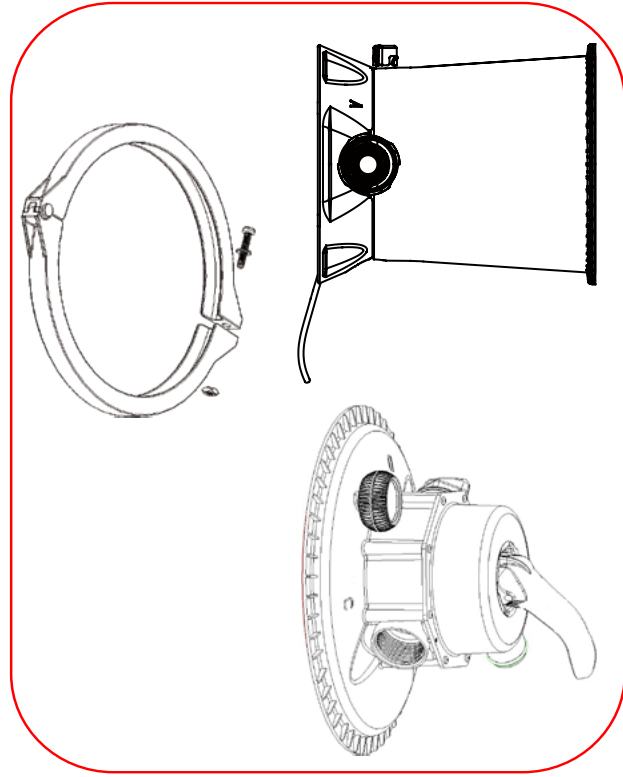
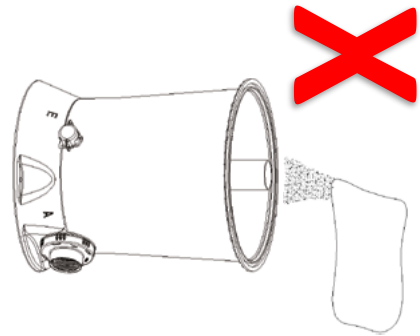
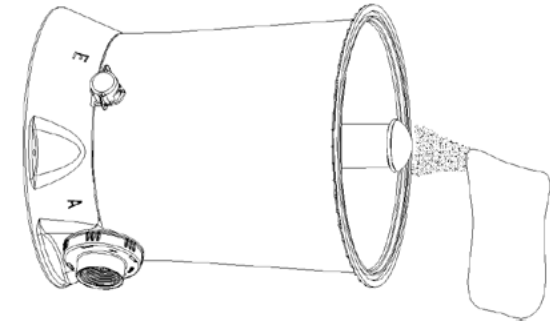
4-1-3



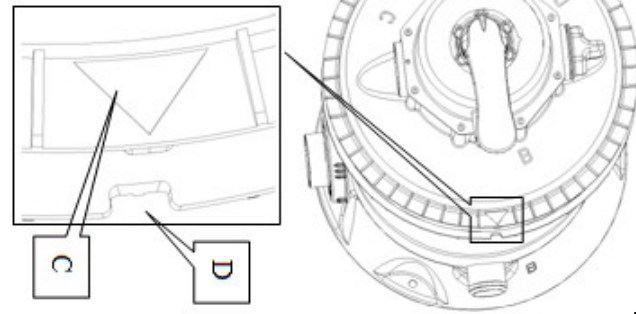
4-1-1



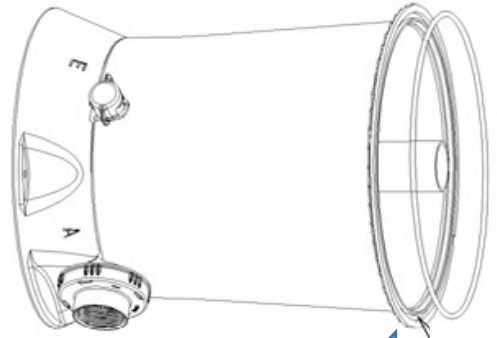
4-1-2



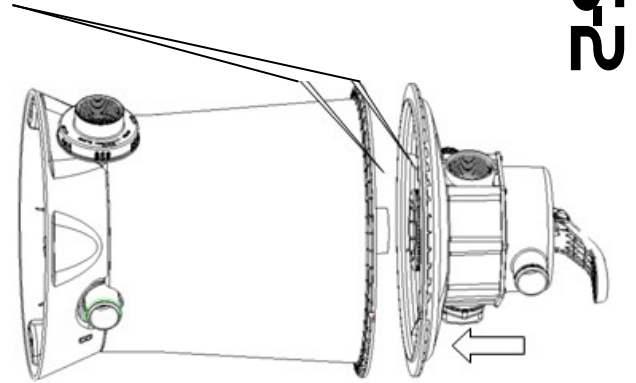
5



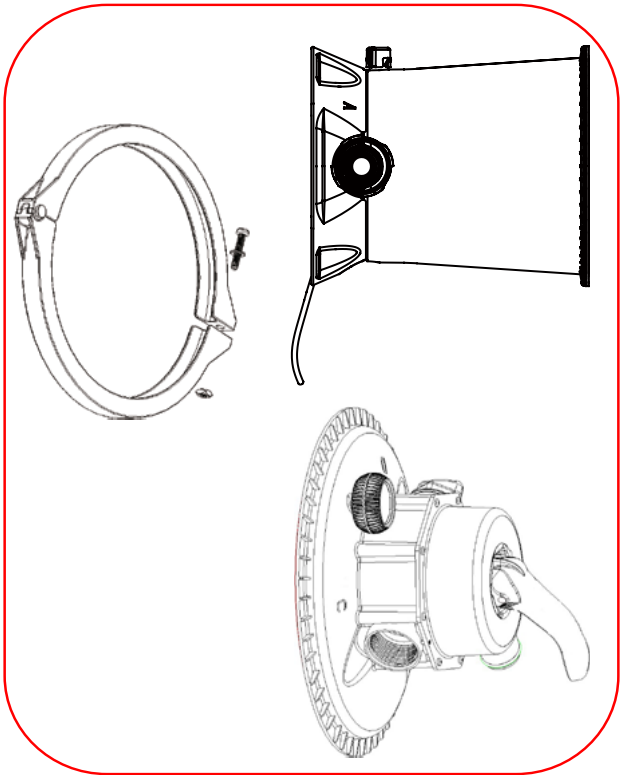
5-1



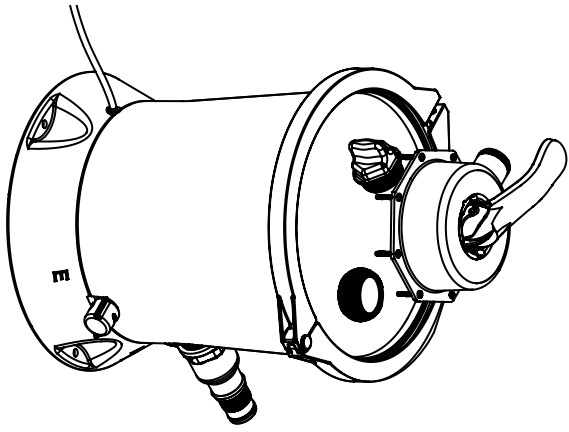
5-2



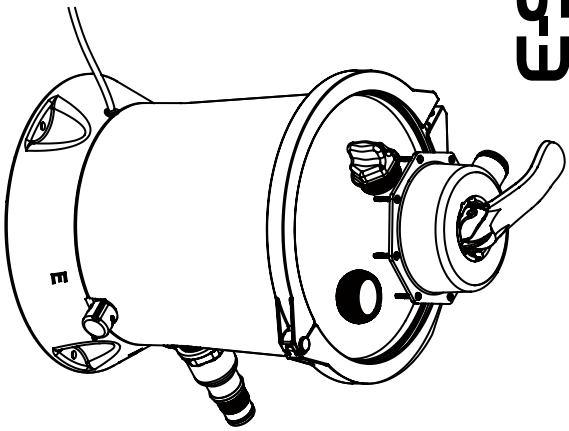




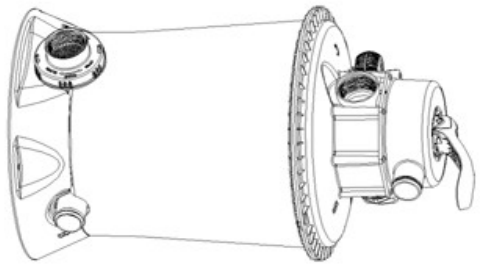
6



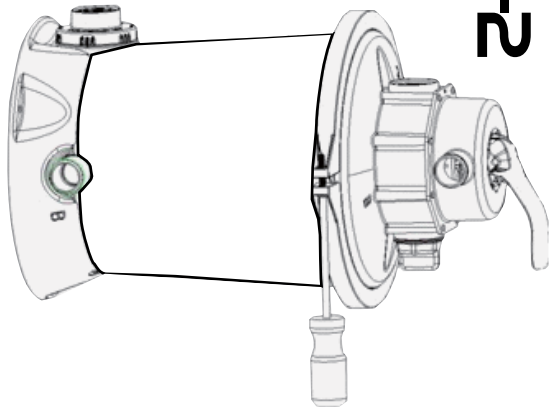
6-3



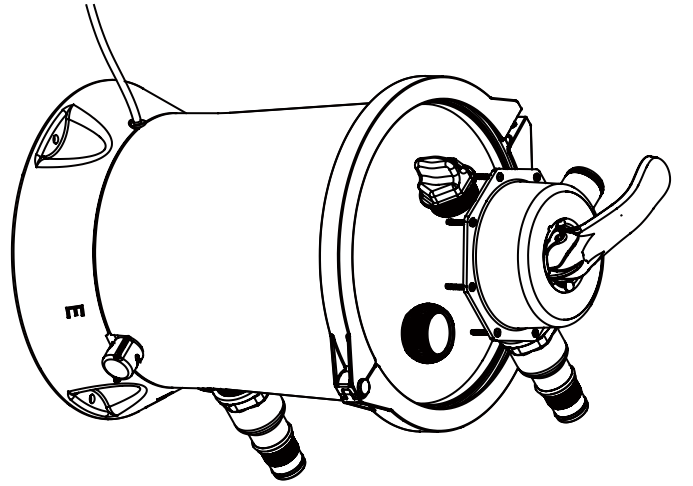
6-1



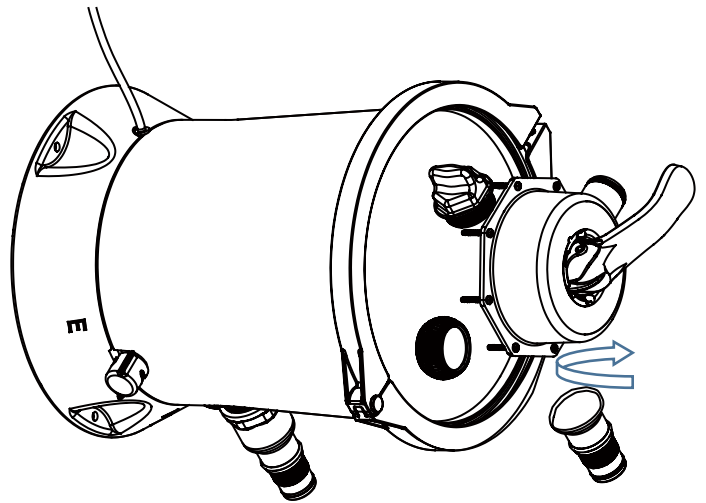
6-2



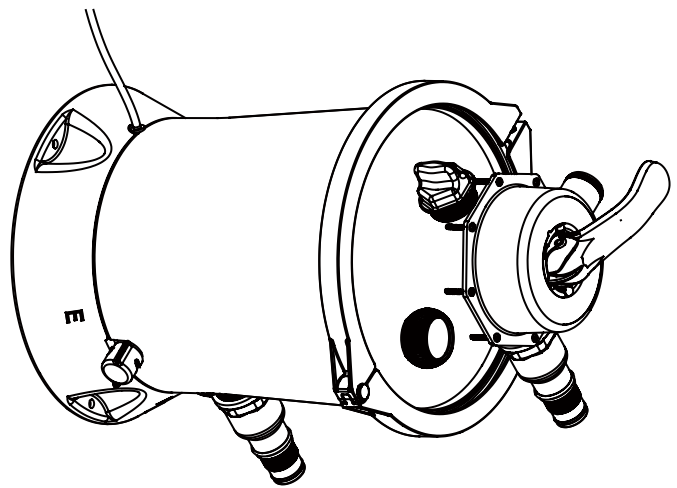
7

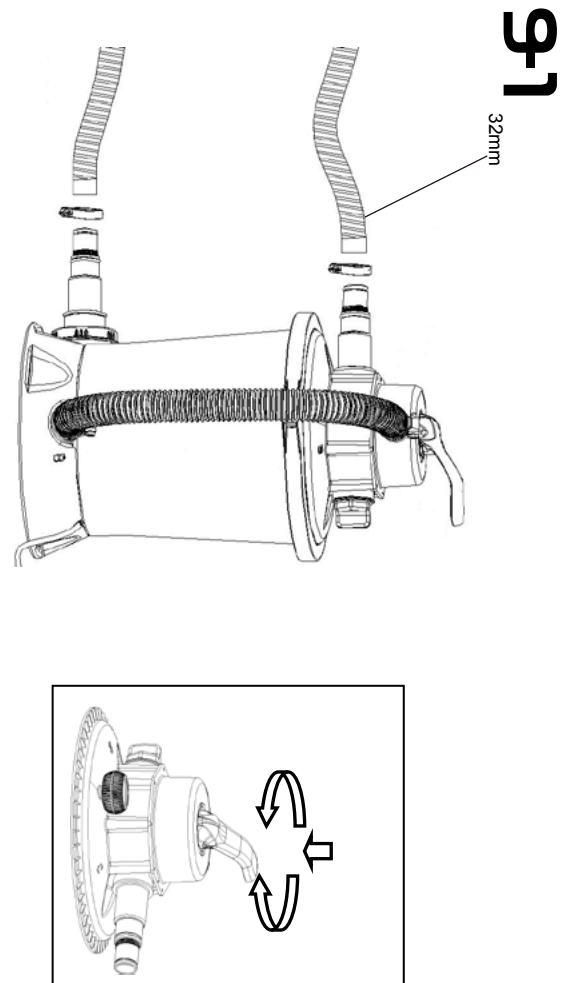
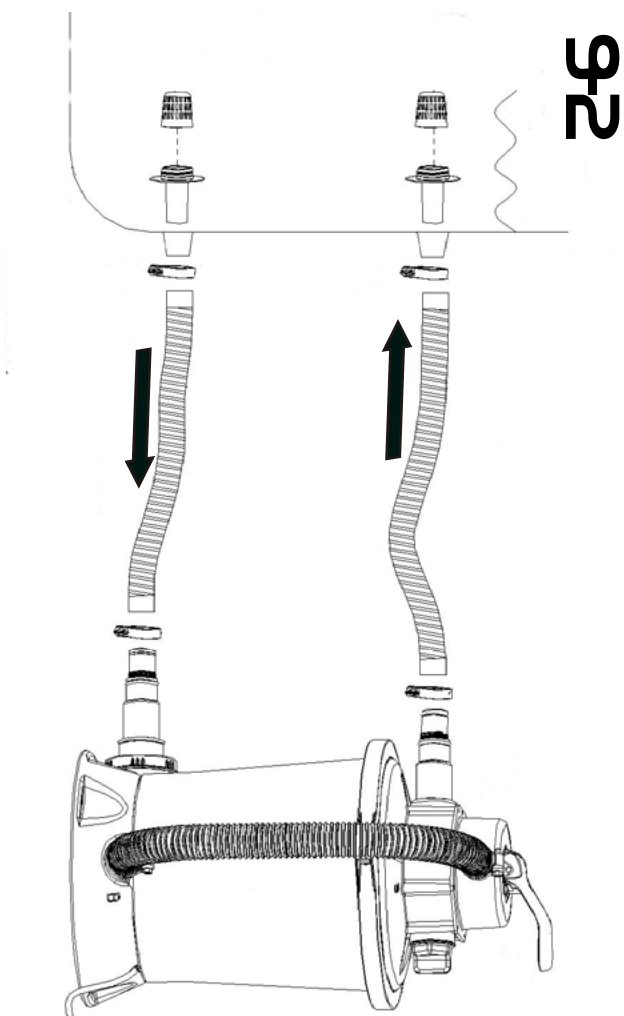
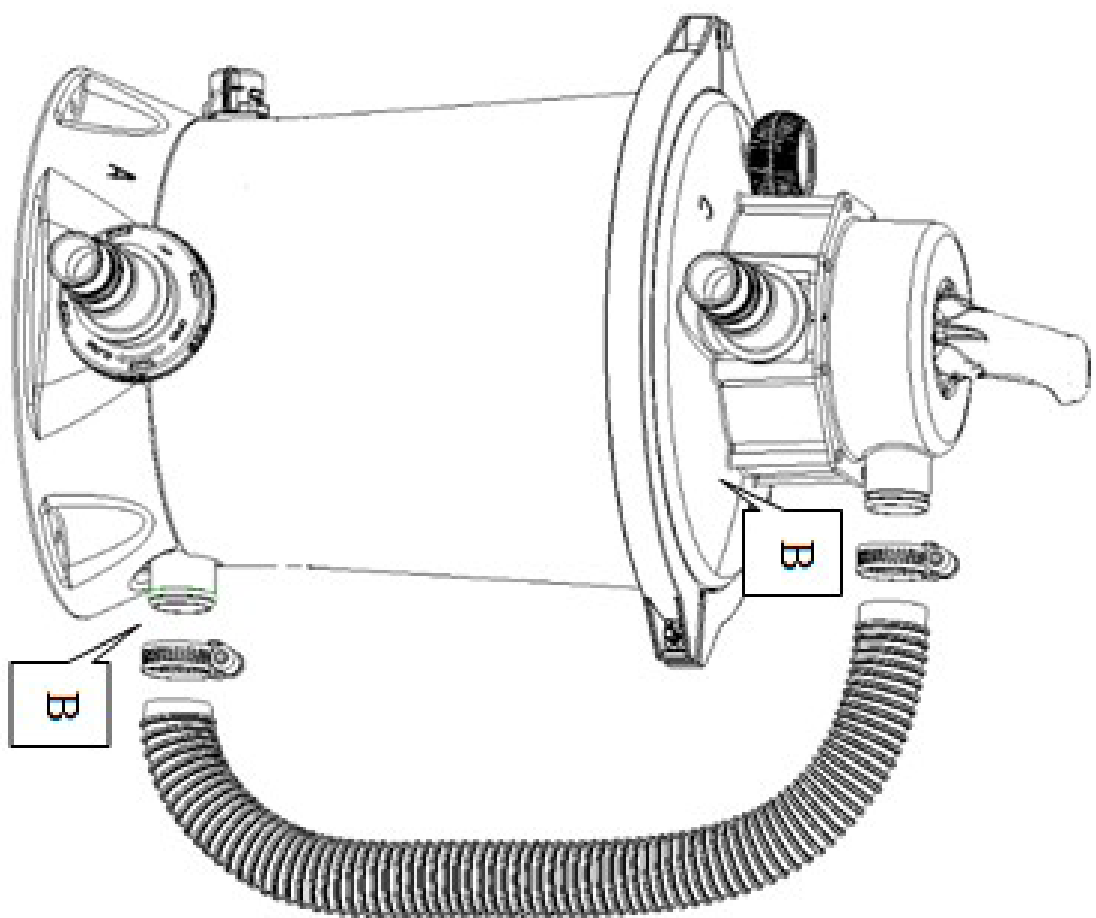
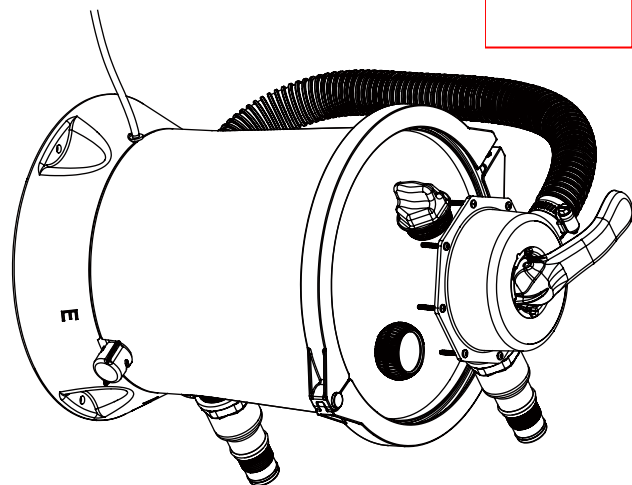
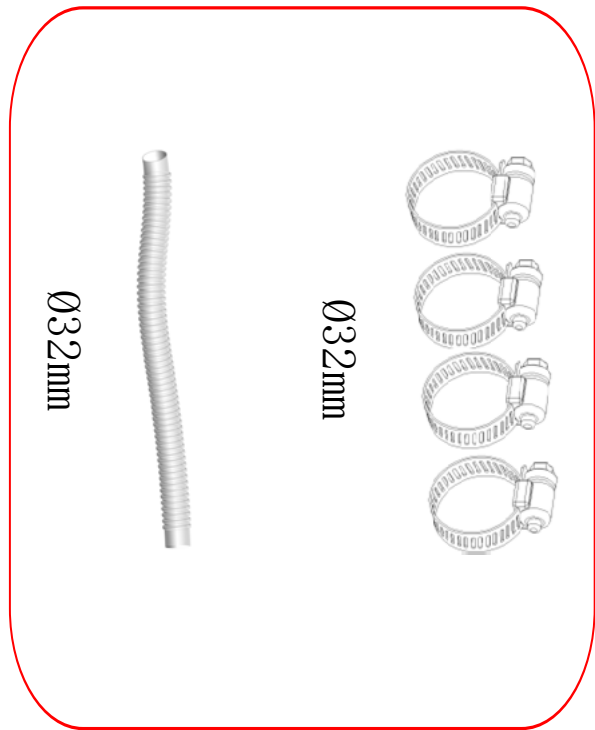
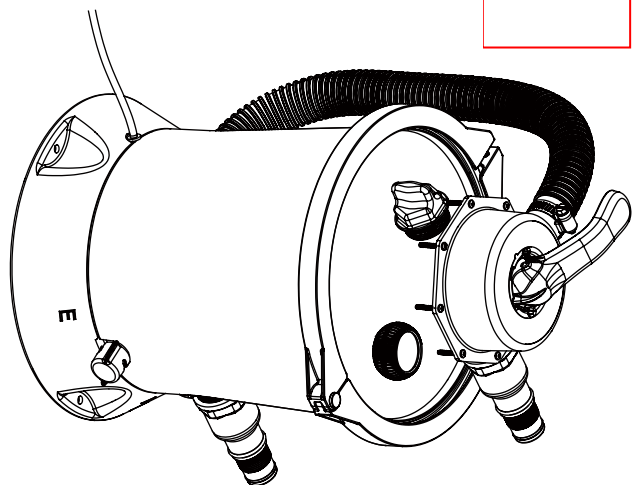
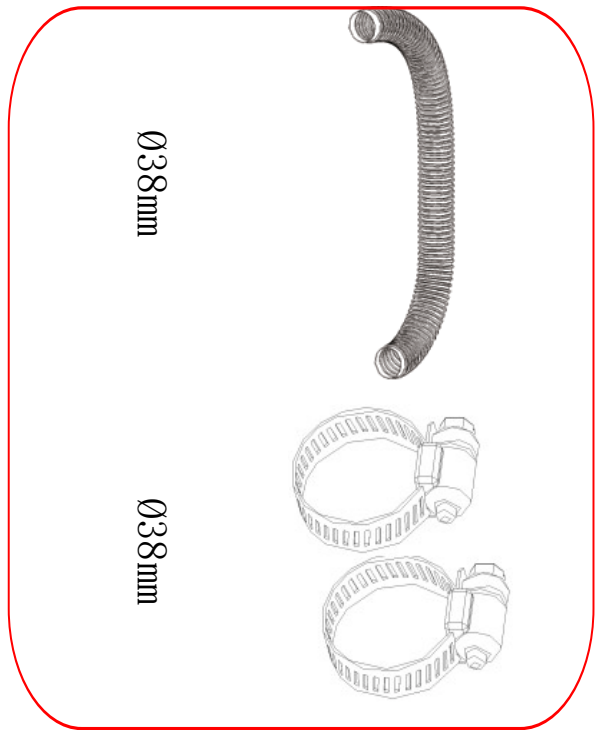


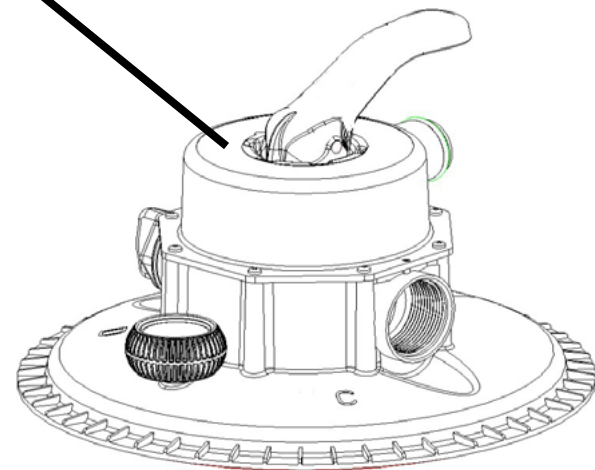
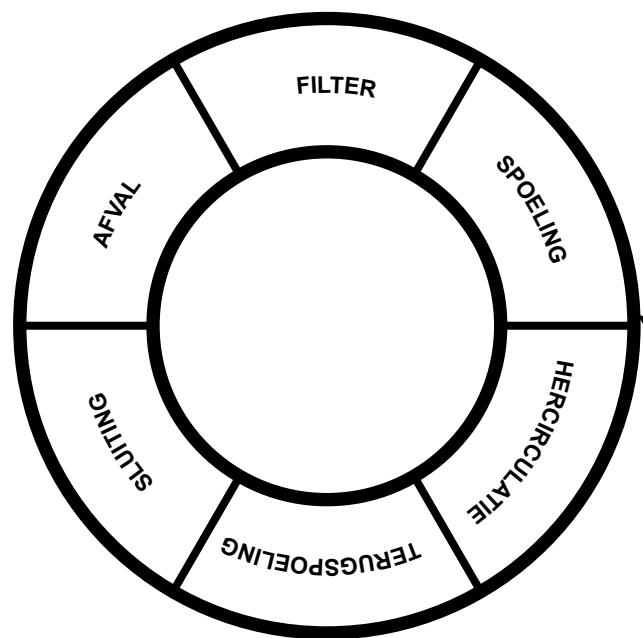
7-1



7-2







Locaties van stuurklep	Functies	Richting waterstroom
Filter	Normaal filteren voor het reinigen van het zwembad	Water stroomt door het filterbed op de locatie van zandfilterpomp en bereikt dan het zwembad.
Terugspoelen	Waterstroom omkeren voor het spoelen van het filterbed	Water stroomt door het filterbed op de locatie van zandfilterpomp en wordt direct afgevoerd uit de afvoeruitlaat.
Spoeling	Deze functie wordt gebruikt voor het eerste opstarten. Zand in de zandtank wordt gespoeld en het zandbed wordt genivelleerd na terugspoelen.	Water stroomt door het filterbed op de locatie van zandfilterpomp en wordt direct afgevoerd uit de afvoeruitlaat.
Afvoer	Direct uit de afvoeruitlaat afgevoerd, gebruikt om het waterpeil te verlagen of om water uit het zwembad af te voeren.	Direct afgevoerd uit de afvoeruitlaat van de zandfilterpomp zonder passeren van het filterbed
Hercirculatie	Circuleert zwembadwater zonder door het filterbed te gaan.	Water stroomt direct in het zwembad door de stuurklep van de zandfilterpomp zonder passeren van het filterbed
Sluiting	Gesloten waterstroom tussen filter en zwembad	/

Opmerking: Tijdens de werking van de zandfilterpomp, moet u de drukwaarde van de manometer controleren.

Het werkt over het algemeen normaal wanneer de druk van de aanbevolen zandfilterpomp lager is dan 0,2bar (3psi) (groen gebied).

Opmerking: U moet ervoor zorgen dat onderhoud alleen begint nadat de zandfilterpomp is losgekoppeld. Anders kan ernstig risico optreden, zoals lichamelijk letsel of zelfs de dood.

Opmerking: Registreer de waarde van de manometer tijdens de werking van de zandfilterpomp.

Wanneer de manometer een druk van 0,2bar (3psi) of hoger toont, moet u het zandbed reinigen of het zand vervangen. Gebruik de functies "terugspoeling" en "spoeling".

NB: regelmatig spoelen overeenkomstig de gebruikssituatie wordt aanbevolen.



## Langdurige opslag en opslag in de winter

Het product gebruiken in een bevroren zwembad kan het product beschadigen en de kwaliteitsgarantie ongeldig maken. Als het product met antivries moet worden gebruikt, kan propyleenglycol tevens worden gebruikt. Propyleenglycol is een niet-giftige chemische stof die niet schadelijk is voor plastic onderdelen. Andere soorten antivries zijn uiterst giftig en kunnen schadelijk zijn voor de plastic elementen van het product.

1. Voorafgaand aan het afvoeren van het water of het herpositioneren van het zwembad, moet u ervoor zorgen dat de afvoerrichting richting de afvoergreppel en weg van het huis is. Bekijk de lokale voorschriften voor vereisten aan speciale waterbehandeling.

2. Schakel het product uit en verwijder de voedingsstekker.

3. Na het legen moet u alle aangesloten zandfilterpompen, getande buizen en filterkappen op de zwembadwand verwijderen.

4. Schroef de afvoer (8) tegen de klok in los om het water binnen het huis volledig weg te laten lopen. De afvoerstop bevindt zich op de bodem van de hoofdeenheid.



5. Droog de onderdelen van de zandfilterpomp en de getande buizen.

6. Smeer de afdichtingen en borgringen in de onderstaande volgorde voor langdurige opslag.

7. De beste praktijk voor productopslag is het drogen van de onderdelen en de motor en deze terugplaatsen in de originele verpakking. Voor het vermijden van krimpen of roestvorming, moet u de motor niet afdekken of inwickelen met een plastic zak.

8. Bewaar de motor en de onderdelen op een droge plek bij 32°F (0°C) ~104°F (40°C).

## Diagnose van problemen en oplossingen

Problemen	Controleren	Oplossingen
De motor kan niet normaal worden gestart	De stroomstekker is niet goed aangesloten De lekbeveiliging is losgekoppeld Motor oververhit of overbelast Zorgt ervoor dat de motor stopt	Zorg ervoor dat het stroomsnoer in het gearde metalen stopcontact met 3 kernen is gestoken. Reset de circuitonderbreker. Als het probleem blijft bestaan, kan het voedingssysteem defect zijn. Schakel onmiddellijk uit en raadpleeg een expert. Laat de motor op natuurlijke wijze afkoelen en start het opnieuw.
Filter Kan het zwembad niet spoelen	Geen zand in de hoofdeenheid Locatiefout van de stuurklep Teveel vuil in het water Filtervat geblokkeerd	Zand vullen Raadpleeg de instructies voor zand vullen De stuurklep roteert naar de filterpositie om de bedrijfstijd te verlengen Reinig het filtervat
Het filter kan geen water afvoeren of de stroomsnelheid van het water is te laag.	Er is een blokkering bij de inlaat Er is een luchtlek bij de opening van de inlaat Teveel vuil in het water Filtermedium is geblokkeerd door onzuiverheden Het zwembad is aangesloten op een reinigingsapparaat	Controleer en verwijder de blokkering in de waterleidingen Draai de moeren van het spuitstuk vast en controleer het beschadigde punt van het spuitstuk en de waterhoogte Reinig het filterrooster Terugspoelen Demonteer het reinigingsapparaat dat is aangesloten op het zwembad
Filter werkt niet	Het waterpeil is te laag Filterrooster is geblokkeerd Luchtlek in de inlaatbuis Motor of blad is geblokkeerd	Injecteer water om het waterpeil aan te passen Reinig het filterrooster in het zwembad Draai het spuitstuk vast en controleer het beschadigde punt Vervang de fittingen
Waterlekkage bij de stuurklep of bovenste kap	De afdichtring van de hoofdeenheid ontbreekt of is te vuil De borgring van de stuurklep is niet stevig vastgedraaid of is beschadigd	Verwijder de bovenste afdekking van de stuurklep en de afdichtring van de hoofdeenheid Reinig de afdichtring van de hoofdeenheid met een waterleiding Draai de schroef vast met een schroevendraaier Vervang de fittingen
De manometer werkt niet	De binnenwand van de manometer is geblokkeerd De manometer is beschadigd	Verwijder de manometer van de stuurklep en verwijder de onzuiverheden van de binnenwand Vervang de fittingen
Er komt zand in het zwembad	De zanddeeltjes zijn te fijn	Gebruik alleen 20# kwartszand Deeltjesgrootte van het zand is 0,45-0,85mm Of vervang het zand

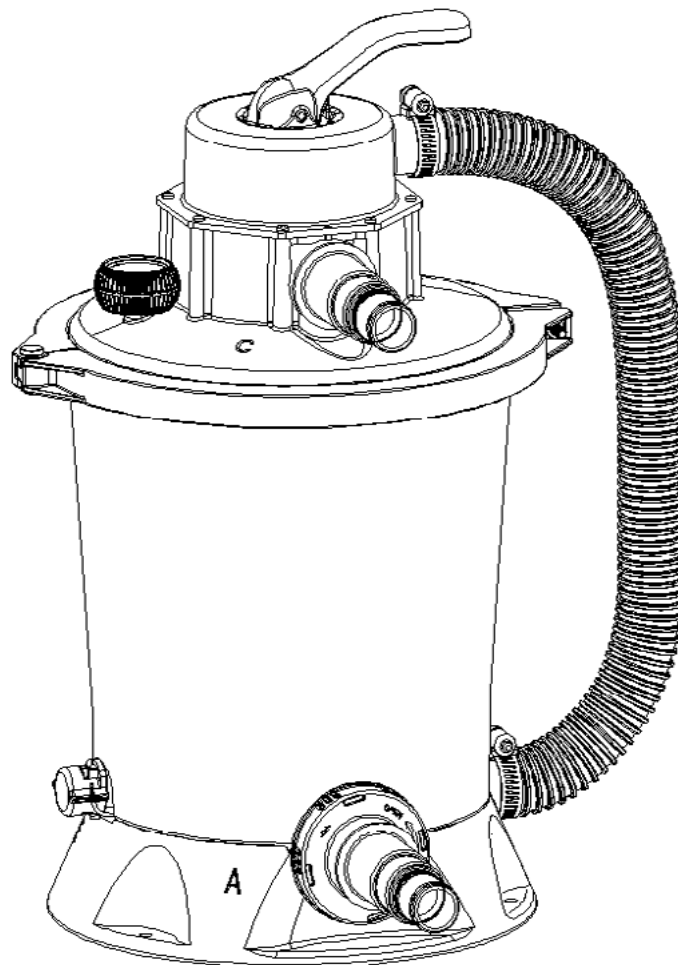
SFP7-16-D



Jilong®

# HANDBUCH FÜR SANDFILTERPUMPE

290729XX / 290730XX





## Produktspezifikationen

Modell	290729XX	290730XX
Maximaler Betriebsdruck	<0.2bar (3psi)	< 0.3bar(4.5psi)
Spannung	12 V	
Effektiver Filterbereich	0.058m <sup>2</sup>	0.058m <sup>2</sup>
Maximale Wasserdurchflussmenge	3028L/h	3785L/h
Maximale Wassertemperatur	35°C	
Empfohlene Filtermedien	20# Quarzsand mit einer Partikelgröße von 0,45 bis 0,85 mm und einem Partikelgleichförmigkeitskoeffizienten von insgesamt weniger als 1,75.	
Empfohlene Menge Medien	Quarzsand, 10 kg	
<b>Bitte sorgfältig lesen und für spätere Bezugnahme aufbewahren</b>		

## Sicherheitshinweise

Befolgen Sie immer die grundlegenden Sicherheitshinweise zur Installation und Nutzung dieses Elektrogerätes, einschließlich

**WARNUNG:** Dieses Gerät darf nur dann von Kindern (ab acht Jahren) oder von Personen bedient werden, die unter körperlichen oder geistigen Einschränkungen leiden oder denen es an der nötigen Erfahrung im Umgang mit solchen Geräten mangelt, wenn solche Personen aufmerksam und lückenlos beaufsichtigt werden, zuvor gründlich mit der Bedienung des Gerätes vertraut gemacht wurden und sich der damit verbundenen Gefahren voll und ganz bewusst sind. Kinder dürfen nicht mit dem Gerät spielen. Kinder dürfen das Gerät nicht ohne Aufsicht reinigen oder bedienen.

**WARNUNG:** Kinder müssen beaufsichtigt werden, damit sie nicht mit dem Gerät spielen

**WARNUNG:** Das Produkt sollte von Kindern ferngehalten werden, damit sie nicht darauf klettern.

**WARNUNG:** Es besteht Stromschlaggefahr. Dieses Produkt darf nur an eine geerdete Steckdose angeschlossen werden. Falls Sie unsicher sind, wenden Sie sich zur Installation bitte an einen erfahrenen Elektriker. Diese Steckdose hat einen maximalen Leckstrom von 30 mA. Bitte verwenden Sie keine bewegliche Steckdose.

**WARNUNG:** Die Pumpe muss über einen Fehlerstrom-Schutzschalter (RCD) mit einem nominellen Ansprech-Fehlerstrom von nicht mehr als 30 mA mit Strom versorgt werden.

**WARNUNG:** Trennen Sie dieses Produkt vor Reinigung, Wartung oder Anpassung vom Stromnetz, indem Sie den Netzstecker aus der Steckdose ziehen.

**WARNUNG:** Vergraben Sie das Kabel nicht im Boden und verlegen Sie es an einem

sicheren Ort, sodass es nicht durch Rasenmäher und andere Geräte beschädigt wird.

**WARNUNG:** Das Netzkabel kann nicht ersetzt werden. Bei beschädigtem Netzkabel sollte das Gerät entsorgt werden.

**WARNUNG:** Schließen Sie zur Reduzierung der Stromschlaggefahr keine Verlängerungskabel, Zeitschaltuhren, Steckeradapter oder Wandler an das Filtergehäuse an. Nutzen Sie eine feste Steckdose.

**WARNUNG:** Ziehen Sie den Netzstecker nicht, wenn Sie in Wasser stehen oder Ihre Hände feucht oder nass sind.

**WARNUNG:** Nach Installation des Produktes sollte die Anschlussposition des Steckers gut sichtbar und leicht zugänglich sein.

**WARNUNG:** Starten Sie dieses Produkt nicht, wenn es gerade benutzt wird.

**WARNUNG:** Dieses Produkt darf nur von Erwachsenen installiert und entfernt werden.

**WARNUNG:** Dieses Produkt kann nur mit einem beweglichen Produkt verwendet werden. Verwenden Sie es nicht in Verbindung mit einem fixierten Produkt. Das bewegliche Produkt kann zur Wasseraufbewahrung entfernt und anschließend wieder an seiner ursprünglichen Position installiert werden.

**WARNUNG:** Bitte schalten Sie das Produkt vor Drehen des Reglerventils aus. Andernfalls drohen Schäden am Produkt und Verletzungen.

**WARNUNG:** Setzen Sie die Filterabdeckung nicht in das Produkt ein, falls sie locker oder beschädigt ist; andernfalls besteht die Gefahr, angesaugt zu werden. Bitte ersetzen Sie die Filterabdeckung in solch einer Situation umgehend.

**WARNUNG:** Spielen oder schwimmen Sie nicht in der Nähe der Filterabdeckung. Körperteile und Haare könnten angesaugt werden; dadurch können Sie sich verletzen oder sogar ertrinken.

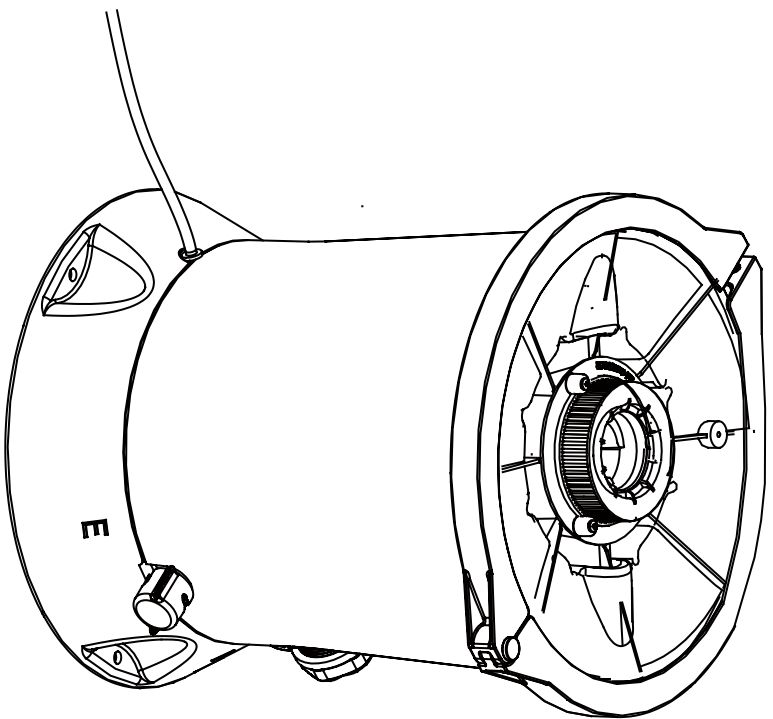
**WARNUNG:** Starten Sie dieses Produkt nicht, wenn die am Manometer angezeigte Messung einen vorgegebenen Maximalwert übersteigt.

**WARNUNG:** Es besteht Druckgefahr; jegliche unsachgemäße Installation des Zylinderkopfs kann Schäden verursachen und dadurch ernsthafte oder sogar tödliche Verletzungen oder Sachschäden zur Folge haben.

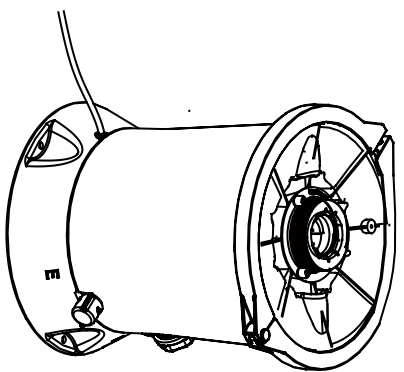
**HINWEIS:** Dieses Produkt ist auf die in den technischen Daten beschriebenen Zwecke beschränkt.

**WARNUNG:** Die Förderhöhe der Pumpe: 1,5 m.

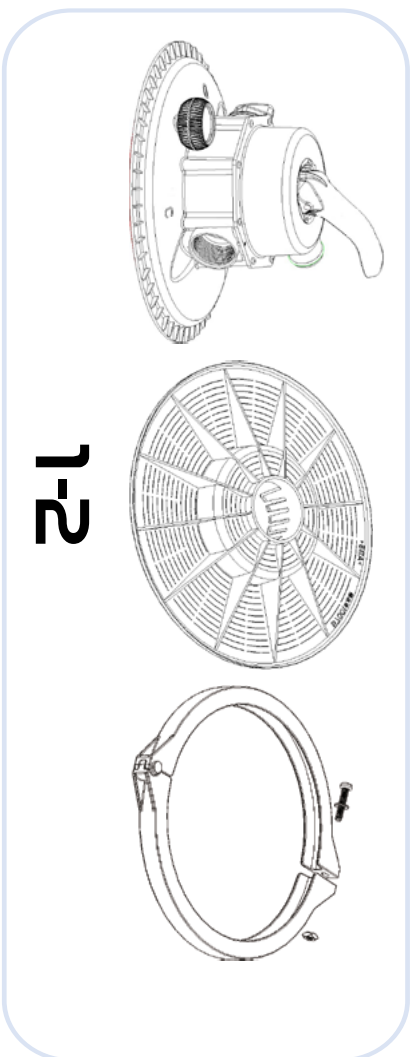
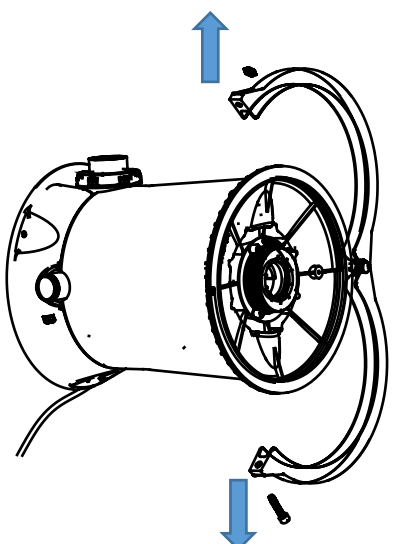
1



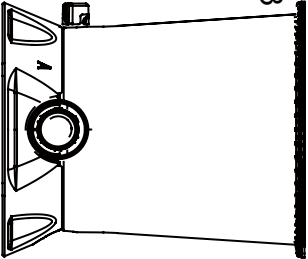
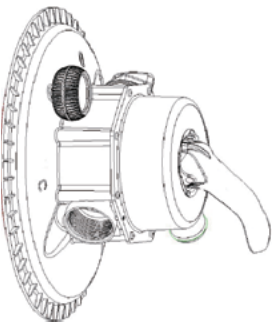
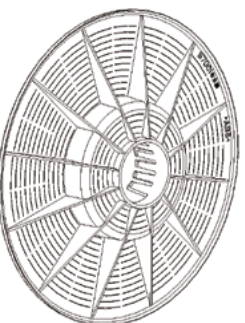
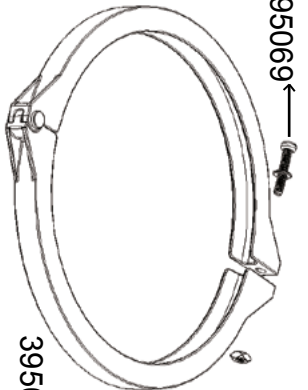
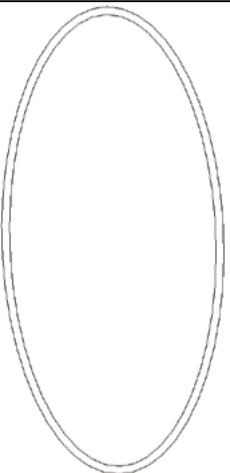
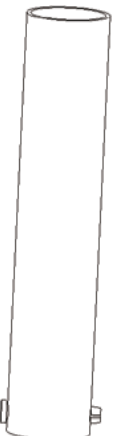
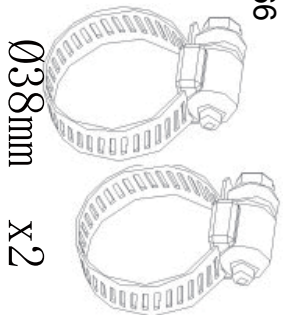
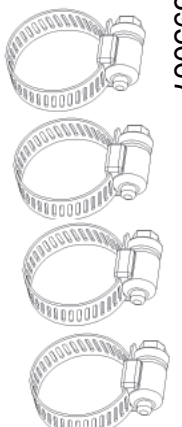




1-1-1



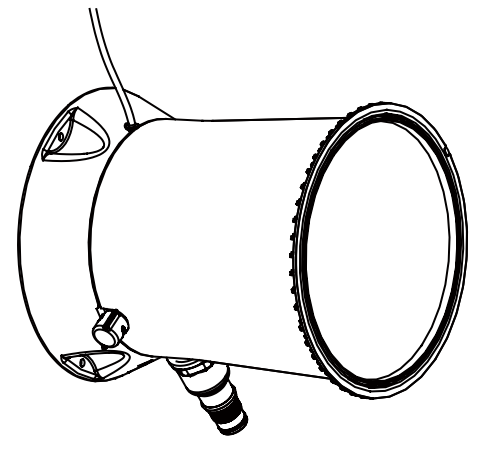
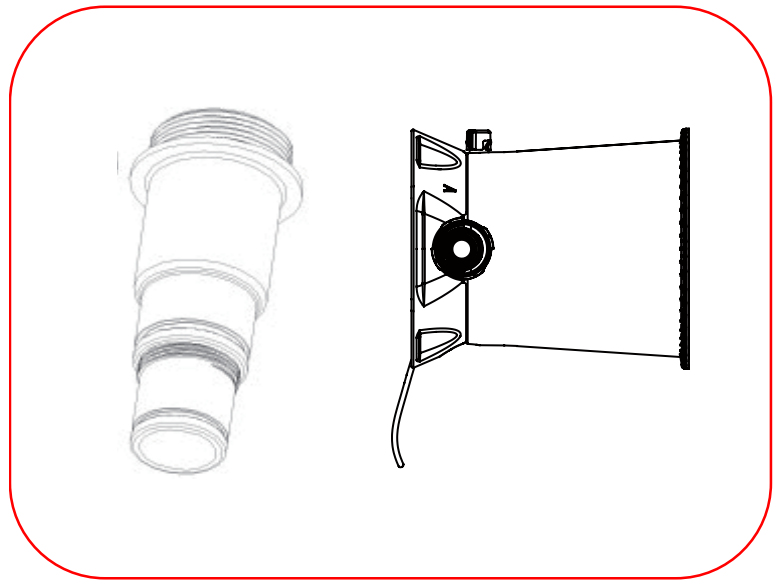
1-1-2



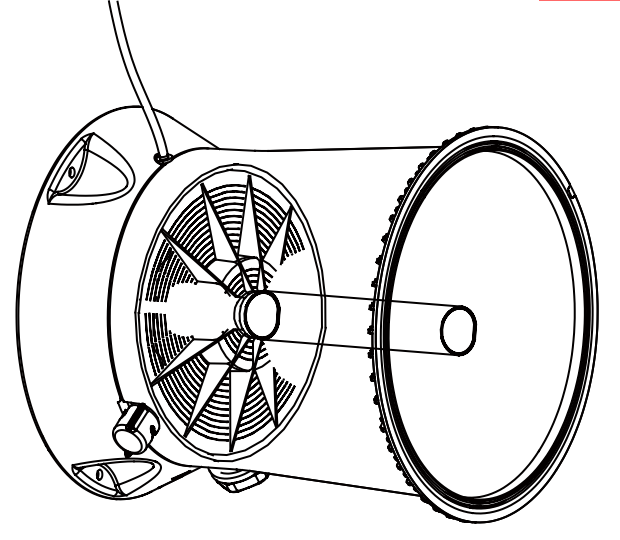
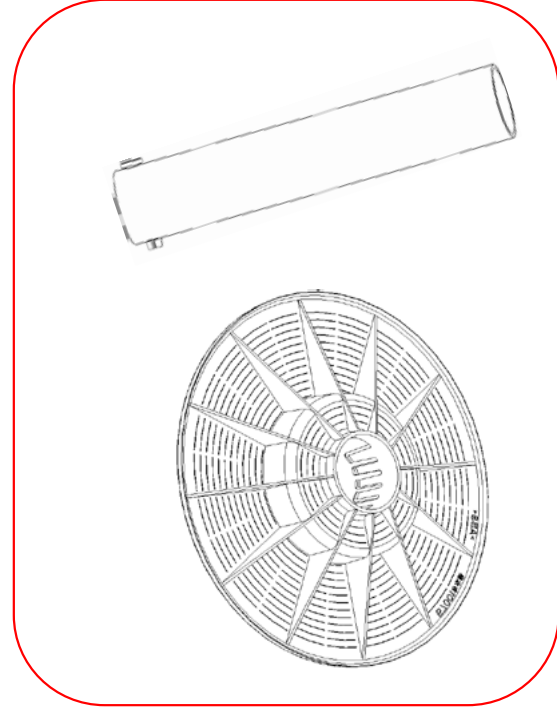
1-2

 <p>395053</p>	 <p>395059</p>	 <p>395061</p>	 <p>395069</p>
 <p>395072</p>	 <p>395064</p>	 <p>395066 Ø38mm x2</p>	 <p>395067 Ø32mm x4</p>
 <p>395068</p>	 <p>395063 Ø32/Ø38mm x2</p>	 <p>395065 Ø38mm</p>	 <p>JL290369 Ø32mm x2</p>

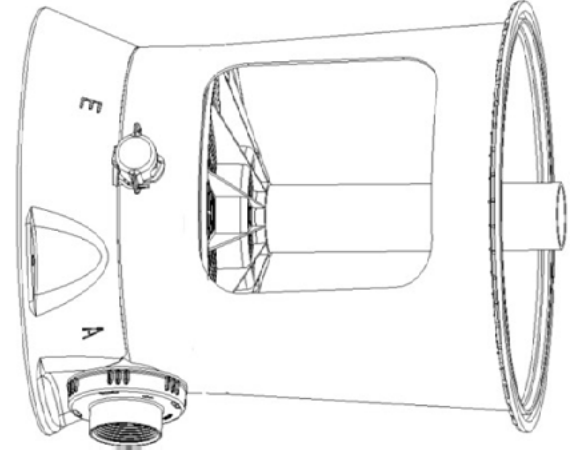
2



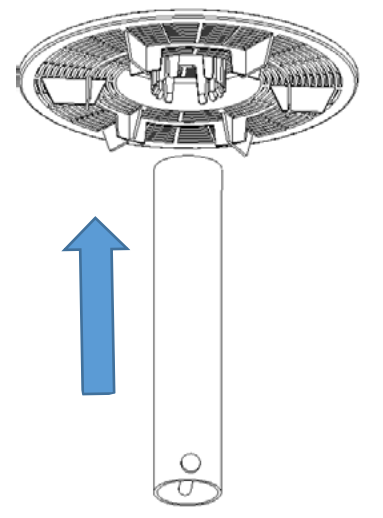
3



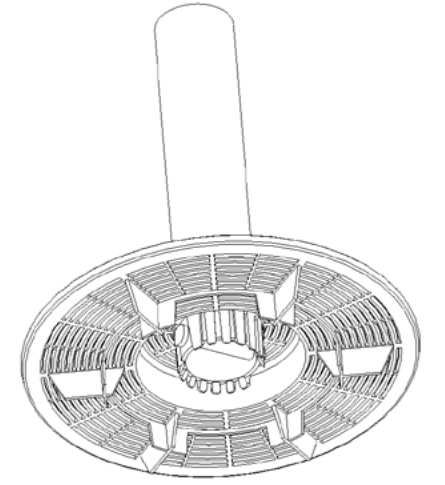
3-2



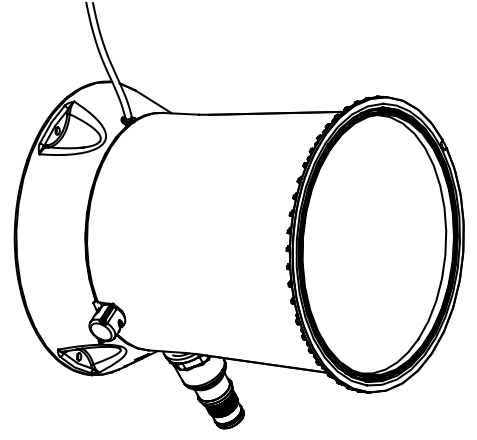
3-1-1



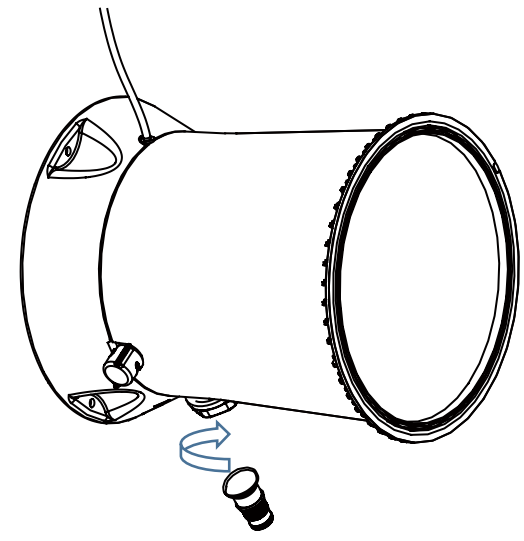
3-1-2

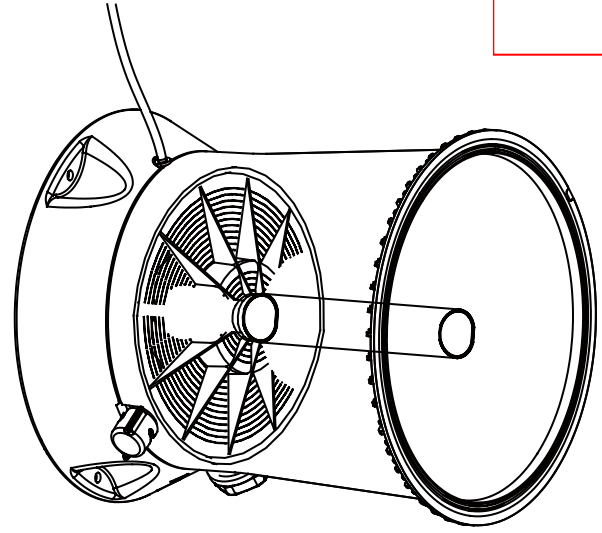
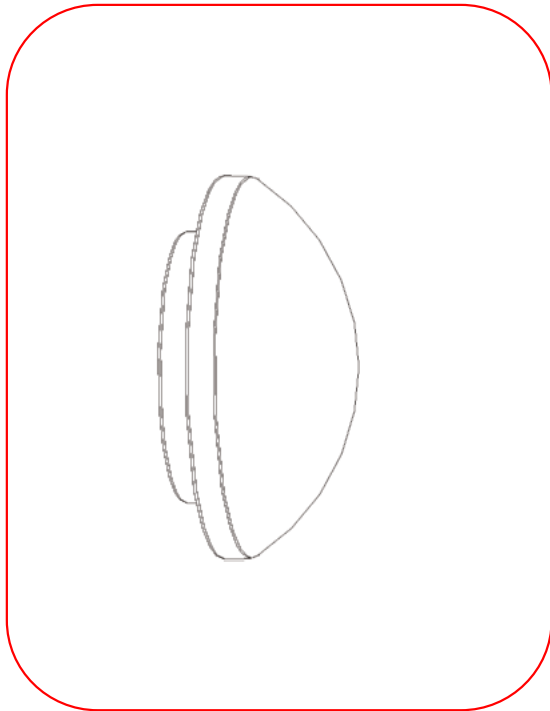


2-2



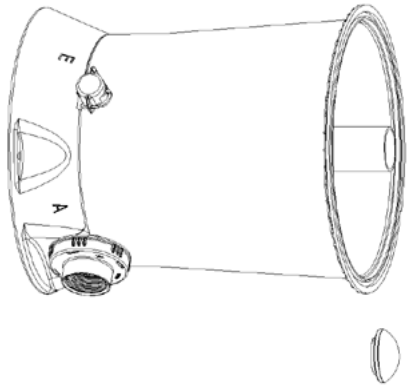
2-1



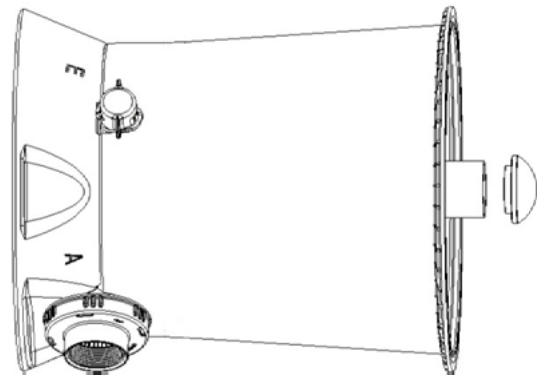


4

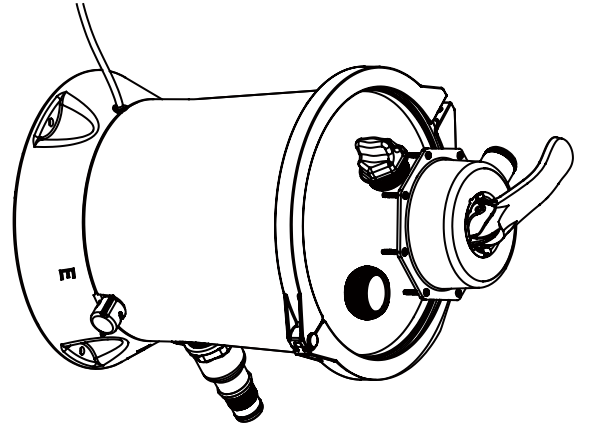
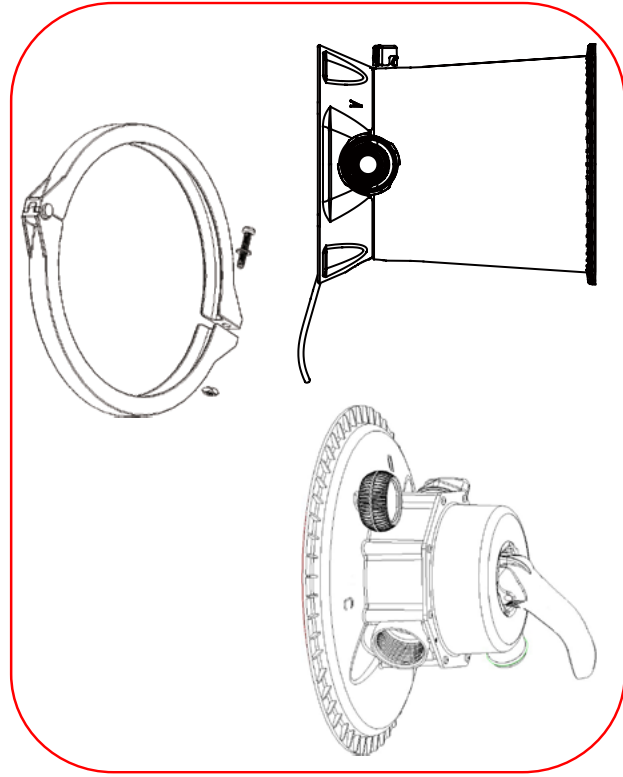
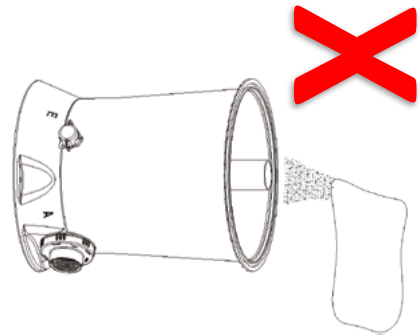
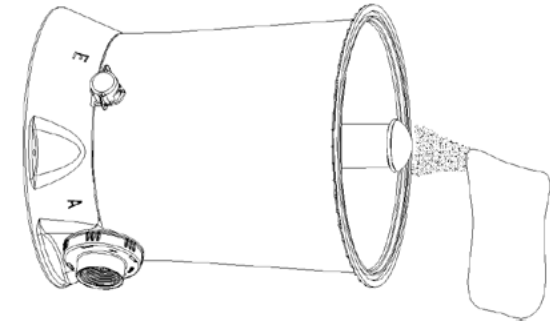
4-1-3



4-1-1

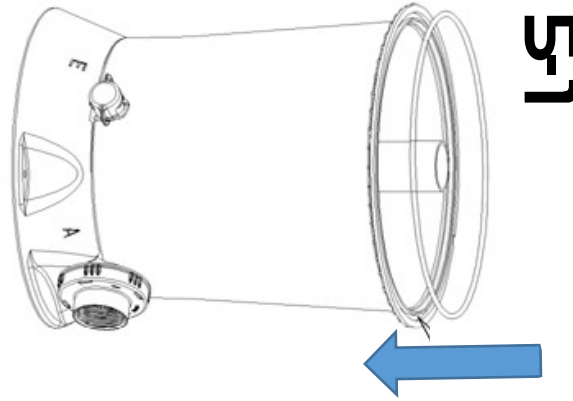


4-1-2

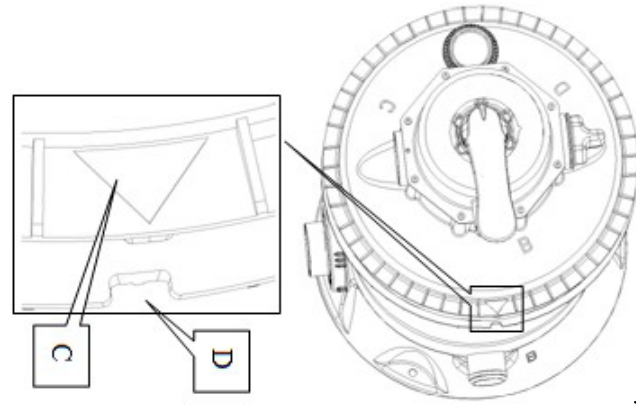
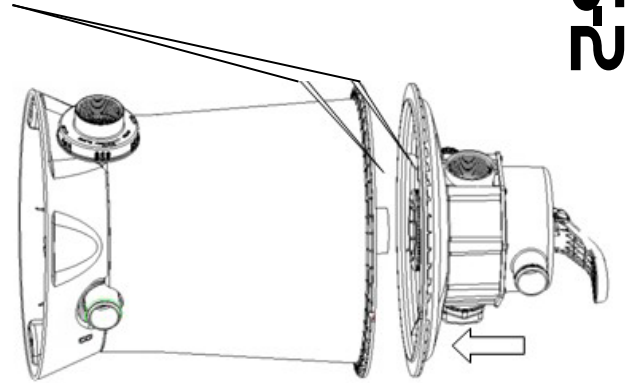


5

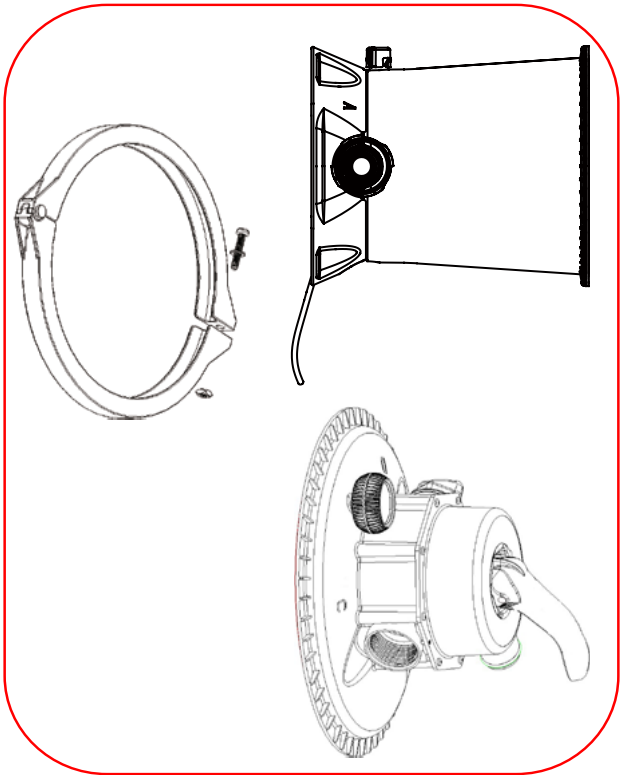
5-1



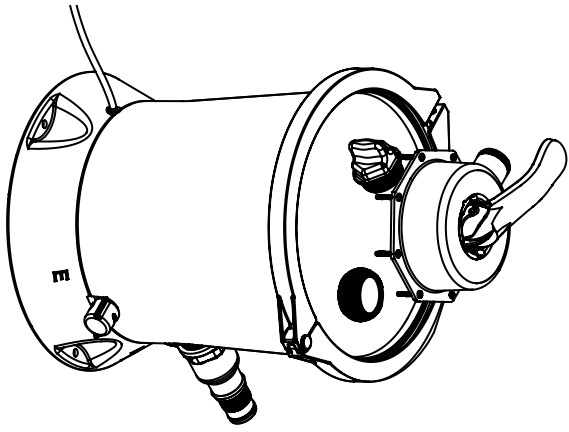
5-2



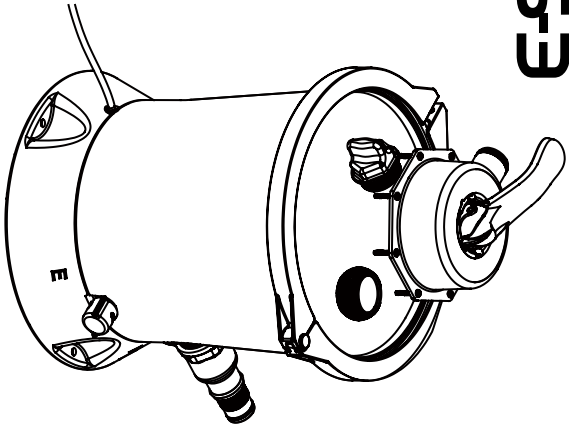




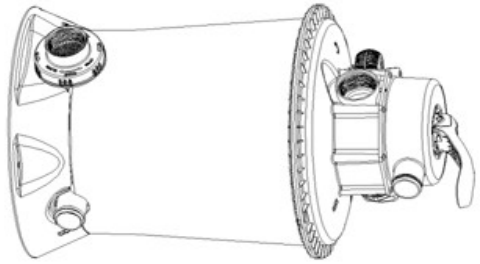
6



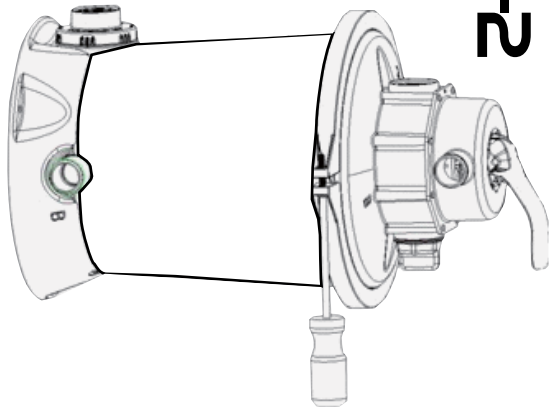
6-3



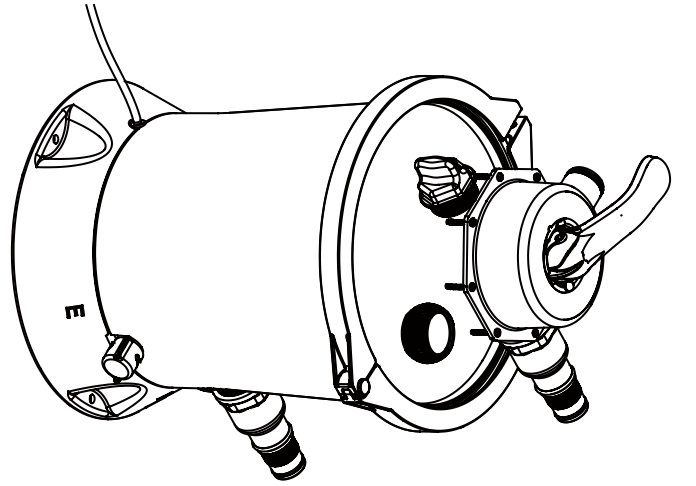
6-1



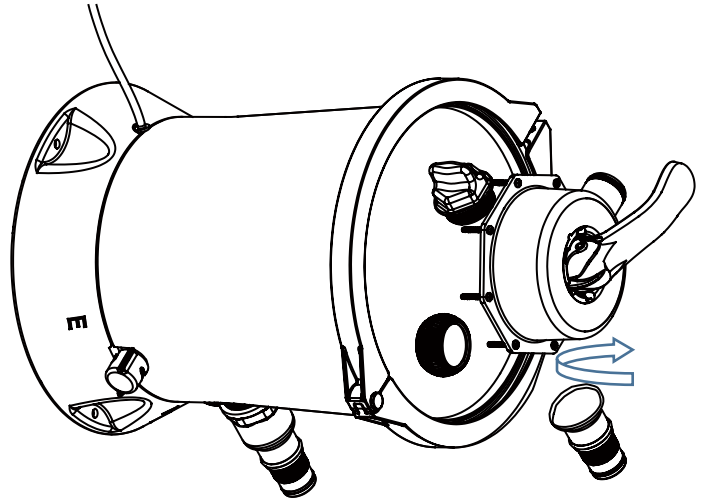
6-2



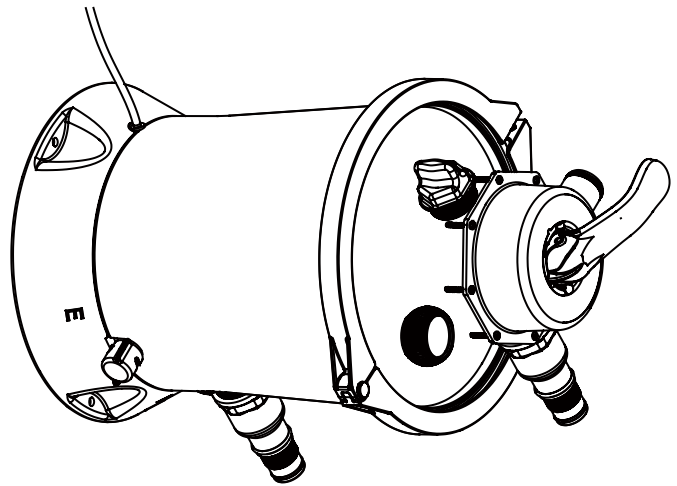
7

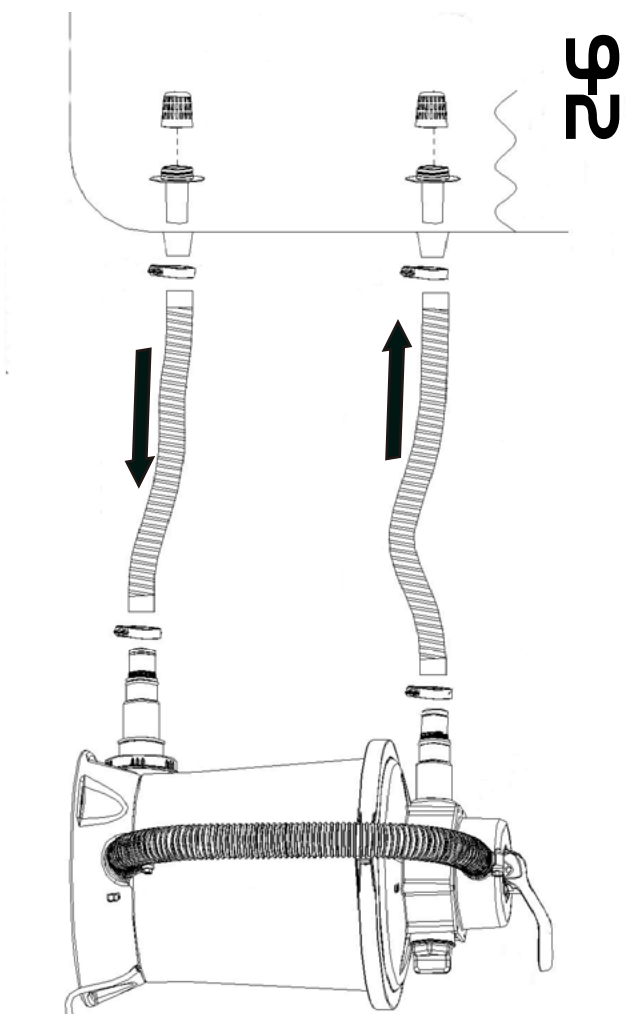
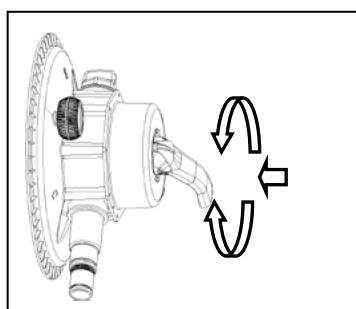
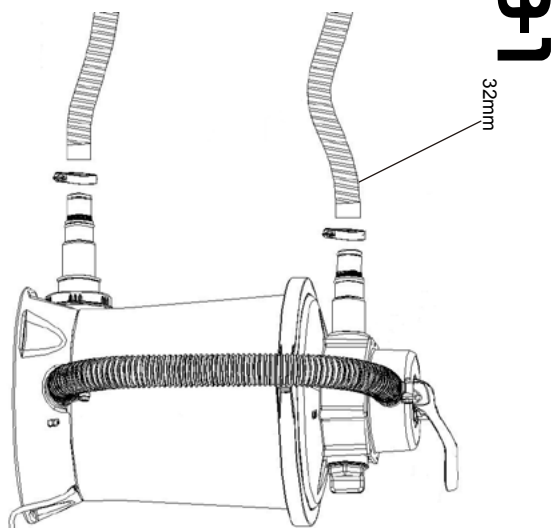
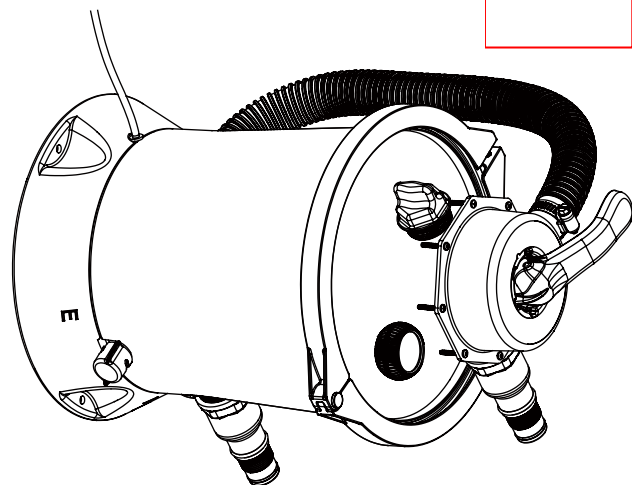
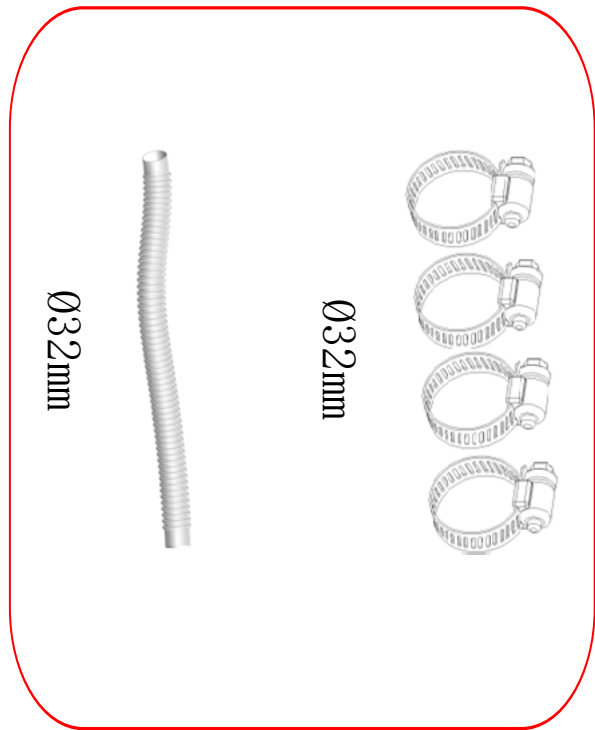
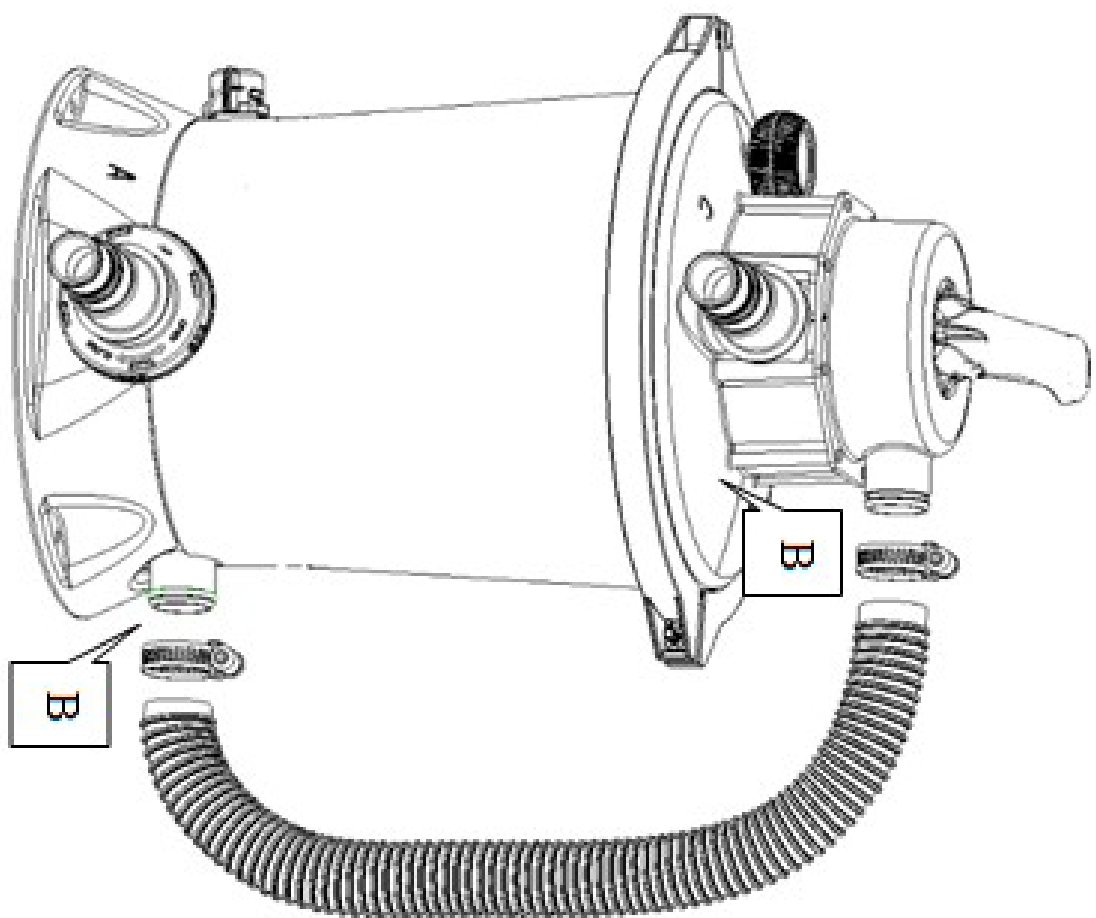
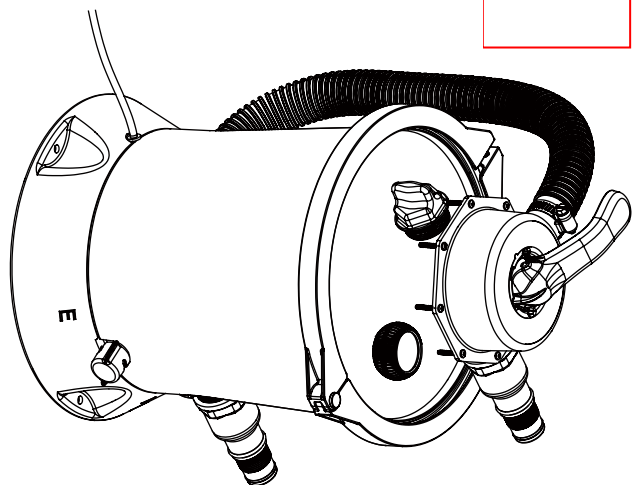
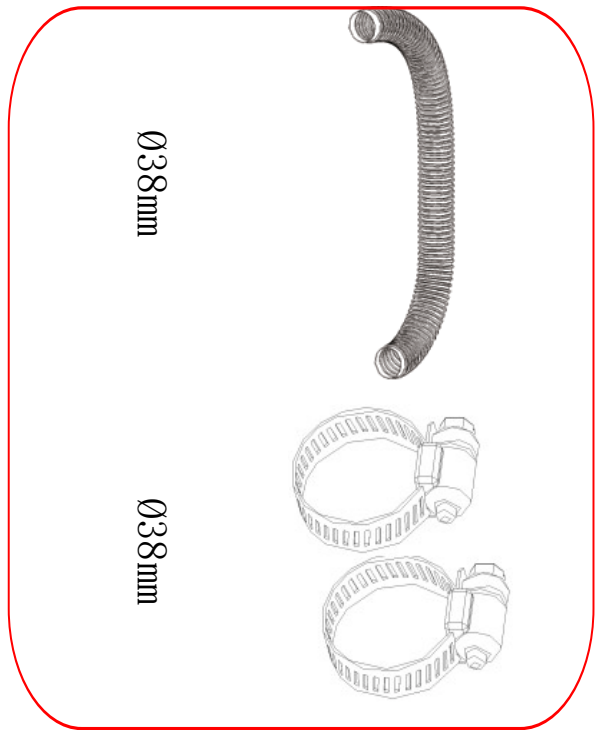


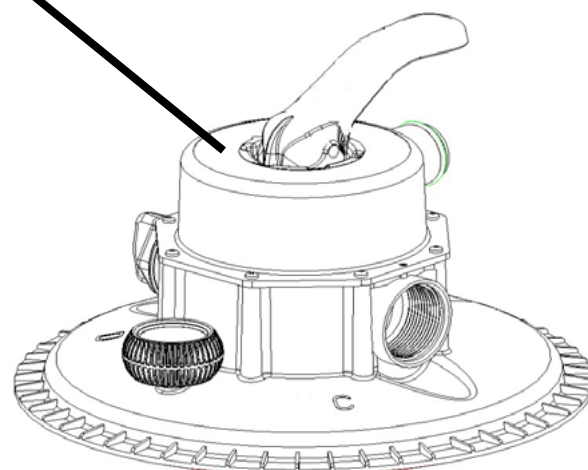
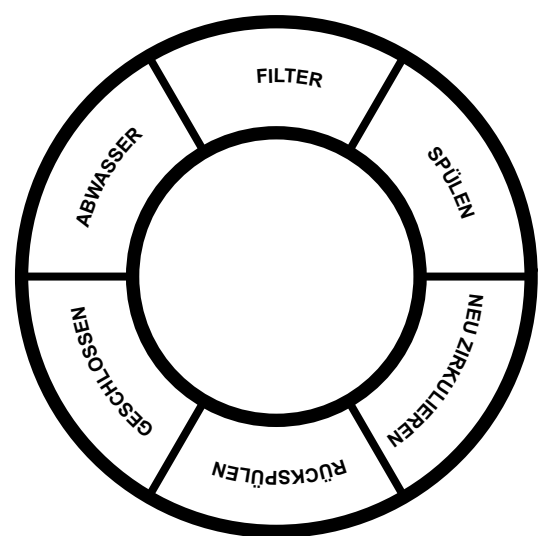
7-1



7-2







Position des Regelventils	Funktionen	Wasserfließrichtung
Filter	Normale Filterung zum Spülen des Pools	Wasser fließt durch das Filterbett, in dem die Sandfilterpumpe liegt, und gelangt dann in den Pool
Rückspülen	Fließrichtung des Wassers wird zum Ausspülen des Filterbetts umgekehrt	Wasser fließt durch das Filterbett, in dem die Sandfilterpumpe liegt, und wird dann direkt aus dem Ablauf ausgelassen.
Spülen	Diese Funktion ist für den ersten Startvorgang vorgesehen. Sand im Sandtank wird ausgespült und das Sandbett wird nach dem Rückspülen nivelliert.	Wasser fließt durch das Filterbett, in dem die Sandfilterpumpe liegt, und wird dann direkt aus dem Ablauf ausgelassen.
Ablauf	Direkter Abfluss aus dem Ablauf, zum Senken des Wasserspiegels oder zum Ablassen des Wassers aus dem Pool	Abfluss direkt aus dem Ablauf des Sandpumpenfilters, ohne dass das Wasser das Filterbett passiert
Rezirkulierung	Zirkuliert das Poolwasser, ohne dass das Wasser das Filterbett passiert.	Wasser fließt direkt durch das Regelventil der Sandfilterpumpe in den Pool, ohne dass das Wasser das Filterbett passiert
Geschlossen	Geschlossener Wasserfluss zwischen Filter und Pool	/

Hinweis: Prüfen Sie während des Betriebs der Sandfilterpumpe die Druckmessung des Manometers.

Wenn der Druck der Sandfilterpumpe weniger als 0,2 bar (grüner Bereich) beträgt, läuft sie normal.

Hinweis: Beginnen Sie erst nach Trennung der Stromversorgung mit Wartungsarbeiten an der Sandfilterpumpe. Andernfalls bestehen ernsthafte Gefahren, wie (lebensgefährliche) Verletzungen.

Hinweis: Notieren Sie die Messung des Manometers während des Betriebs der Sandfilterpumpe.

Wenn das Manometer einen Druck von 0,2 bar oder mehr anzeigt, sollten Sie das Sandbett reinigen oder den Sand wechseln. Verwenden Sie die Funktion „Rückspülen“ oder „Ausspülen“.

Hinweis: Führen Sie die Spülung regelmäßig entsprechend den Nutzungsbedingungen aus.



### Langfristige Lagerung und Lagerung im Winter

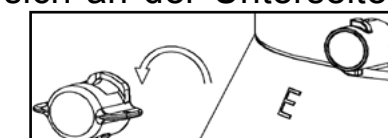
Durch den Einsatz des Produktes in einem gefrorenen Pool kann das Produkt beschädigt werden und die Qualitätsgarantie erlöschen. Falls das Produkt mit einem Frostschutzmittel genutzt werden muss, empfehlen wir Propylenglykol. Propylenglykol ist eine ungiftige Chemikalie, die für Kunststoffteile unschädlich ist. Andere Arten von Frostschutzmitteln sind hochgiftig und können Kunststoffteile des Produktes beschädigen.

1. Stellen Sie sicher, dass die Ablaufrichtung zur Ablaufrinne und vom Haus weg ausgerichtet ist, bevor Sie das Wasser ablassen oder den Pool neu aufstellen. Prüfen Sie bei speziellen Anforderungen an die Wasseraufbereitung die örtlichen Richtlinien.

2. Schalten Sie das Produkt aus und ziehen Sie den Netzstecker.

3. Entfernen Sie nach dem Leeren alle angeschlossenen Sandfilterpumpen, Wellschläuche und Filterhauben an der Poolwand.

4. Lösen Sie das Ablaufventil (8) durch Drehen gegen den Uhrzeigersinn, damit das gesamte Wasser abläuft. Der Ablaufstopfen befindet sich an der Unterseite des Gehäuses.



5. Trocknen Sie die Teile der Sandfilterpumpe und die Wellschläuche ab.

6. Schmieren Sie zur langfristigen Lagerung die Dichtringe und Unterlegscheiben in der nachstehenden Reihenfolge.

7. Es empfiehlt sich, Teile und Motor vor der Lagerung abzutrocknen und in der Originalverpackung aufzubewahren. Zur Vermeidung von Korrosion sollten Sie den Motor nicht mit einer Plastikfolie abdecken oder einwickeln.

8. Bitte bewahren Sie Motor und Teile an einem trockenen Ort bei 0 bis 40 °C auf.

## Problemdiagnostik und Lösungen

Probleme	Überprüfung	Lösungen
Der Motor kann nicht normal gestartet werden	Der Netzstecker ist nicht richtig angeschlossen Auslaufschutz ist getrennt Motor überhitzt oder überlastet Motor stoppt	Stellen Sie sicher, dass das Netzkabel an eine 3-adrige geerdete Steckdose angeschlossen ist. Setzen Sie den Trennschalter zurück. Falls das Problem weiterhin auftritt, ist möglicherweise das Stromversorgungssystem defekt. Schalten Sie es sofort ab und wenden Sie sich an einen Experten. Lassen Sie den Motor abkühlen und starten Sie ihn neu.
Filter Pool kann nicht ausgespült werden	Kein Sand im Gehäuse Positionsfehler des Reglerventils Übermäßig viel Schmutz im Wasser Filterbehälter blockiert	Füllen Sie Sand auf. Beachten Sie die Anweisungen zum Auffüllen. Das Regelventil dreht sich zur Verlängerung der Laufzeit in die Filterposition Reinigen Sie den Filterbehälter
Der Filter kann kein Wasser ablassen oder die Wasserdurchflussmenge ist zu langsam	Der Einlass ist verstopft In der Lücke des Einlasses befindet sich ein Luftleck Übermäßig viel Schmutz im Wasser Filtermedium ist mit Schmutz zugesezt Der Pool ist mit einem Reinigungsgerät verbunden	Prüfen und beseitigen Sie die Blockade in den Wasserschläuchen Ziehen Sie die Düsenmuttern fest und prüfen Sie die Düse auf Schäden sowie den Wasserstand Reinigen Sie das Filtersieb Rückspülen Demontieren Sie das mit dem Pool verbundene Reinigungsgerät
Der Filter funktioniert nicht	Wasserstand ist zu gering Filtersieb ist verstopft Luftleck im Zulaufschlauch Motor oder Klinge ist blockiert	Füllen Sie zum Anpassen des Wasserstands Wasser ein Reinigen Sie das Filtersieb im Pool Ziehen Sie die Düse fest und prüfen Sie sie auf Schäden Ersetzen Sie die Befestigungsmaterialien
Wasserleck am Regelventil oder an der oberen Abdeckung	Der Dichtungsring des Gehäuses ist locker oder zu verschmutzt Der Regelventilhalter ist nicht sicher befestigt oder beschädigt	Entfernen Sie die obere Abdeckung des Reglerventils und die Hülse des Gehäusedichtrings Reinigen Sie den Gehäusedichtring mit einem Wasserschlauch Ziehen Sie die Schraube mit einem Schraubendreher fest Ersetzen Sie die Befestigungsmaterialien
Das Manometer funktioniert nicht	Die Innenwand des Manometers ist blockiert Das Manometer ist beschädigt	Entfernen Sie das Manometer aus dem Regelventil und beseitigen Sie Schmutz an der Innenwand Ersetzen Sie die Befestigungsmaterialien
Sand gelangt in den Pool	Die Sandpartikel sind zu fein	Verwenden Sie nur 20# Quarzsand Partikelgröße des Sands beträgt 0,45 bis 0,85 mm. Oder ersetzen Sie den Sand



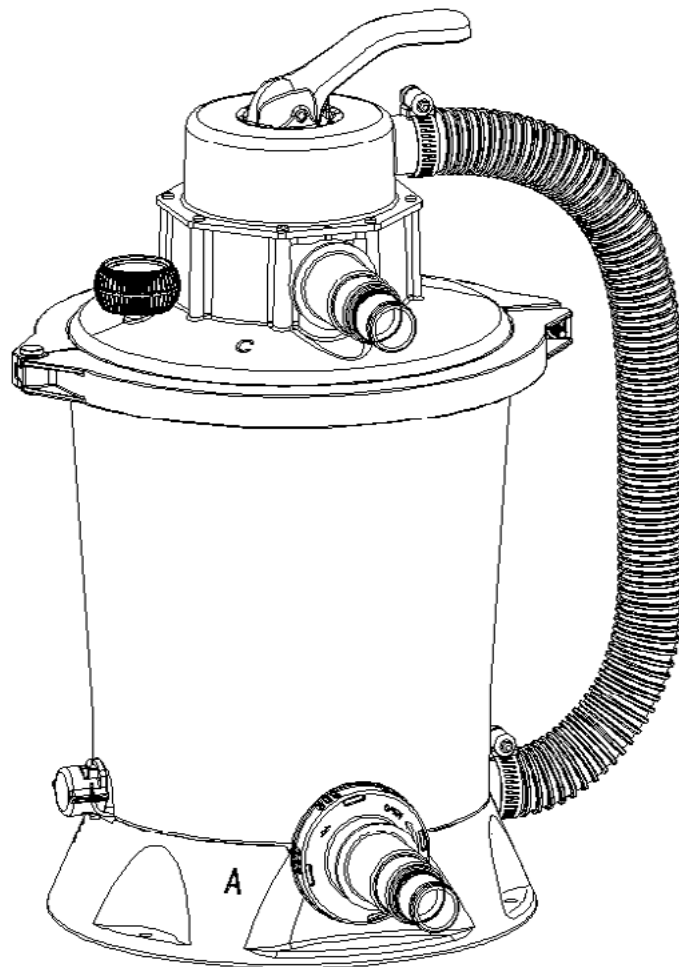
SFP7-16-GB



Jilong<sup>®</sup>

# SAND FILTER PUMP MANUAL

290729XX / 290730XX



## Product specifications

Model	290729XX	290730XX
Maximum operating pressure	<0.2bar (3psi)	< 0.3bar(4.5psi)
Voltage	12 V	
Effective filtrating area	0.058m <sup>2</sup> (0.62ft <sup>2</sup> )	0.058m <sup>2</sup> (0.62ft <sup>2</sup> )
Maximum water flow rate	800 gallons/hr (3028/h)	1000 gallons/hr (3785/h)
Maximum water temperature	35°C	
Recommended filter media	20# quartz sand or glass sand, with particle size of 0.45-0.85 mm, (i.e. 0.018-0.033 inches), and the overall particle uniformity coefficient of which is smaller than 1.75.	
Recommended number of media	Quartz sand or glass sand, 10 kg	

**Please read carefully and save it for future reference**

## Safety instructions

Always follow the basic safety precautions for installation and use of this electrical equipment, including

**WARNING:** This appliance can be used by children aged from 8 years and above and persons with reduced physical, sensory or mental capabilities or lack of experience and knowledge if they have been given supervision or instruction concerning use of the appliance in a safe way and understand the hazards involved. Children shall not play with the appliance. Cleaning and user maintenance shall not be made by children without supervision.

**WARNING:** Children being supervised not to play with the appliance

**WARNING:** The product should be away from the product, so as to avoid children climbing into it.

**WARNING:** There is risk of electric shock. This product is only connected to the outlet with grounding protection. If it can not be confirmed, please contact an experienced electrician for installation, this outlet has a maximum leakage current of up to 30mA.; please do not use the movable outlet.

**WARNING:** The pump is to be supplied through a residual current device (RCD) having a rated residual operating current not exceeding 30 mA.

**WARNING:** To remove this product, before cleaning, maintenance or adjustment, unplug the power plug from the outlet.

**WARNING:** Do not bury the wire in the soil, and must arrange it on safety location where it can not be damaged by the lawn mower and other equipment.

**WARNING:** The supply cord cannot be replaced. If the cord is damaged the appliance should be scrapped.

**WARNING:** To reduce the risk of electric shock, do not connect any extension wire, timer, plug adapter or converter to the filter body. Please provide a fixed outlet.

**WARNING:** If you stand in a place with water or your hands are wet, do not unplug the power wire plug.

**WARNING:** After this product is installed, the installation position of the plug should be visible to the user and easy to access.

**WARNING:** When the product is in use, do not start this product.

**WARNING:** Only adult can install and remove this product.

**WARNING:** This product can only be used with a movable product. Do not use it in conjunction with a fixed product. The movable product can be removed for water storage and re-installed on its original position.

**WARNING:** To avoid damage to the product and the risk of injury, before the rotating the control valve position, please turn off the product.

**WARNING:** To reduce the risk of being absorbed, if the filter cover is loosened, damaged, destroyed, or lost, do not put it into the product. In case of the above conditions, please replace the filter cover immediately.

**WARNING:** Do not play or swim near the filter cover. Your body or hair may be inhaled to cause permanent injury to the body or drowning.

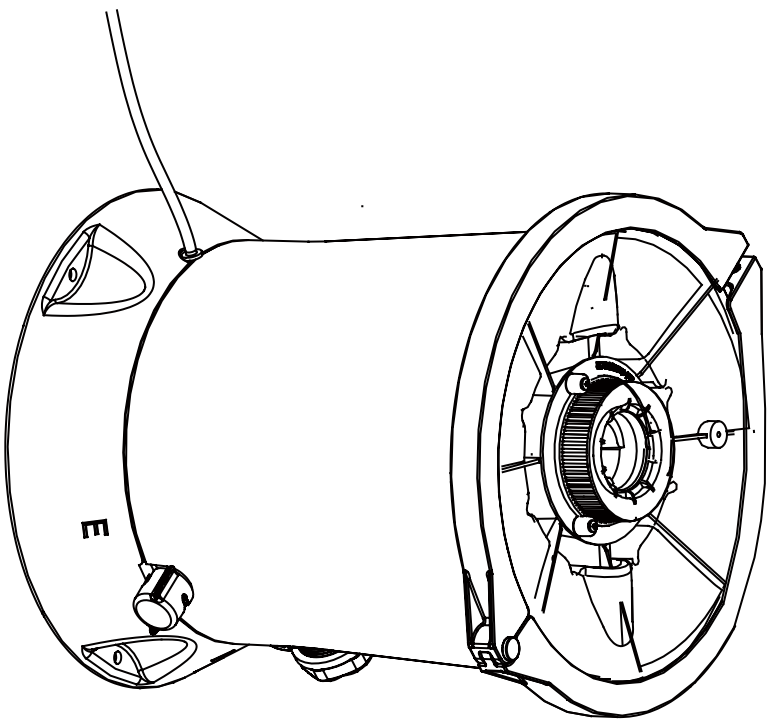
**WARNING:** When the reading displayed on the pressure gauge of the body exceeds a predetermined maximum data, do not start this product.

**WARNING:** There is a risk of pressure; any improper installation of the cylinder head can cause its damage, resulting in serious injury, death or damage to any property.

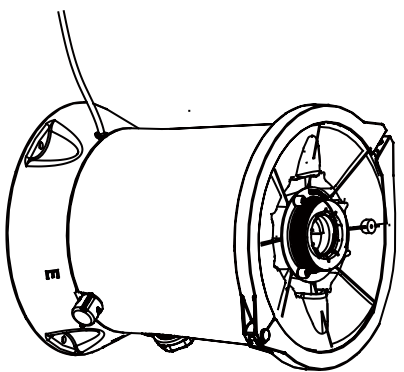
**NOTE:** this product is limited to those purposes described in the specification.

**WARNING:**The maximum total head:1.5m.

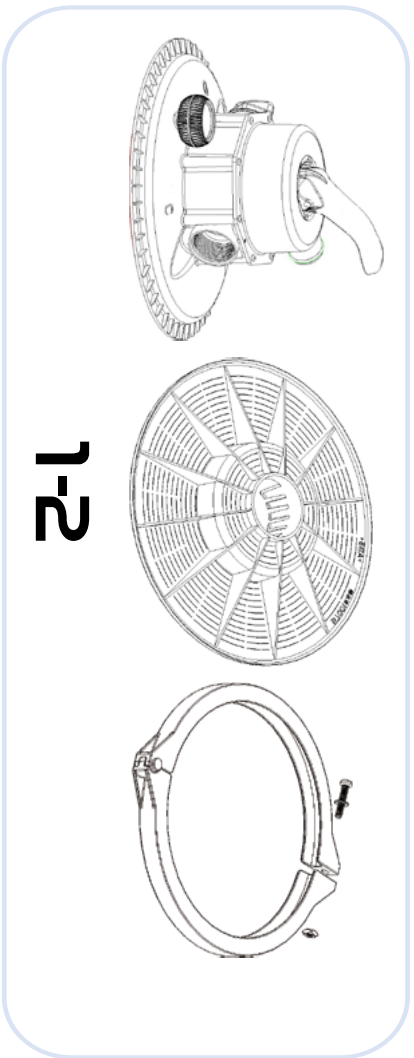
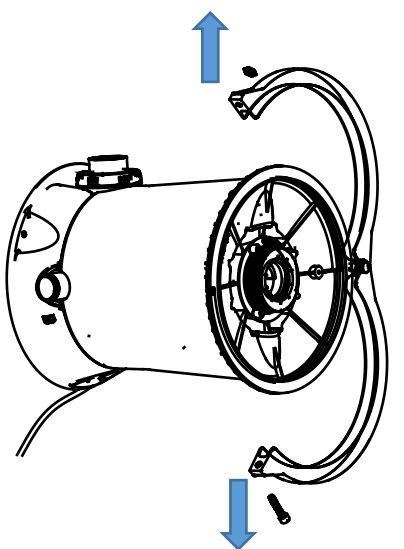
1



1-1-1



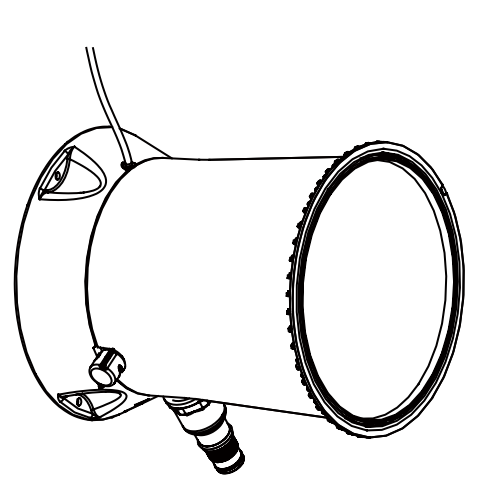
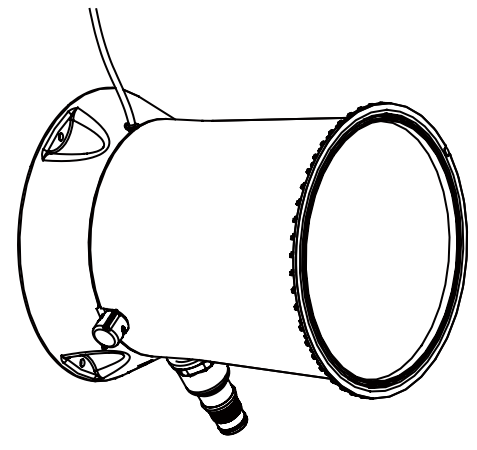
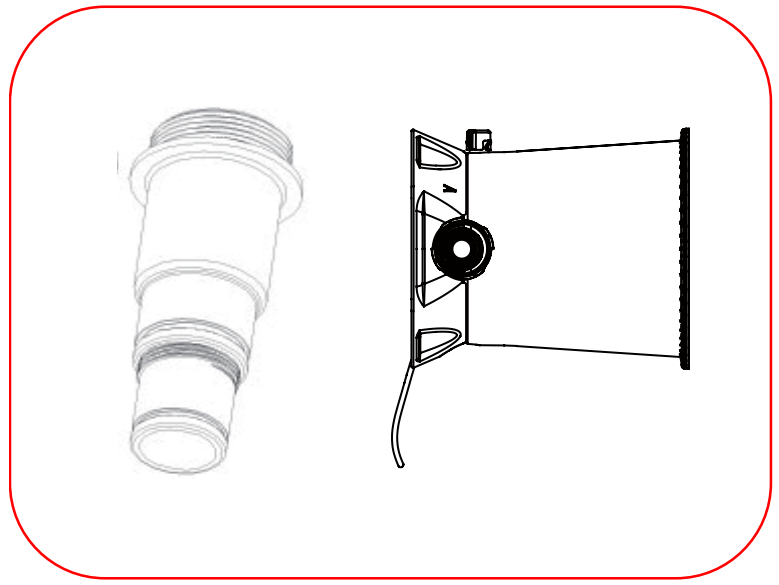
1-1-2



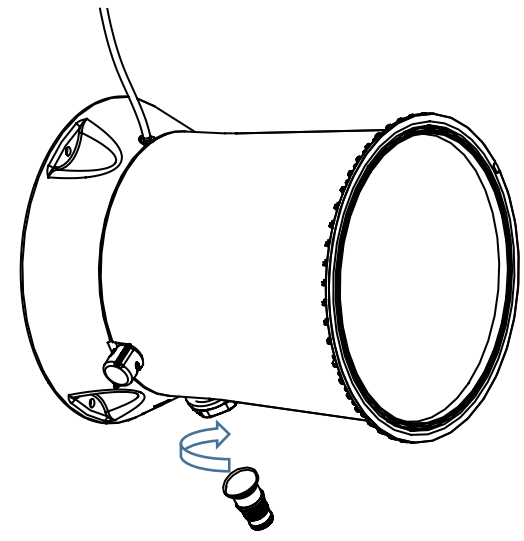
1-2

<p>395053</p>	<p>395059</p>	<p>395061</p>	<p>395069</p>
<p>395072</p>	<p>395064</p>	<p>395066 Ø38mm x2</p>	<p>395067 Ø32mm x4</p>
<p>395068</p>	<p>395063 Ø32/Ø38mm x2</p>	<p>395065 Ø38mm</p>	<p>JL290369 Ø32mm x2</p>

2

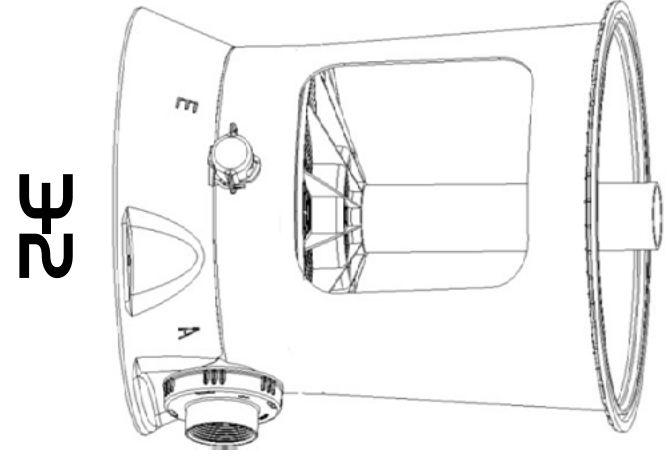
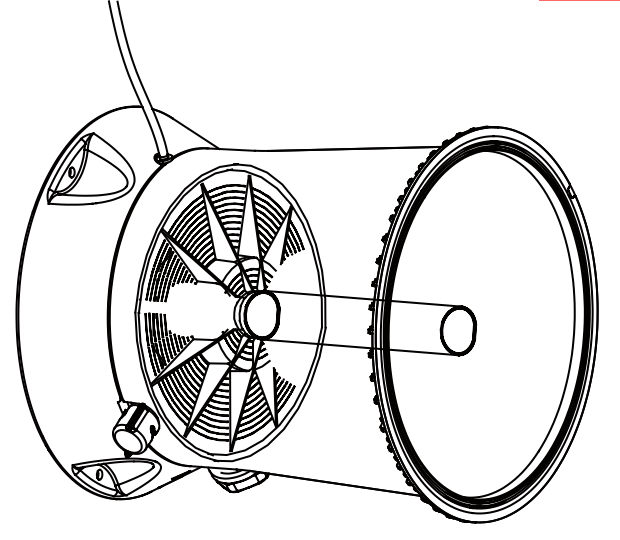
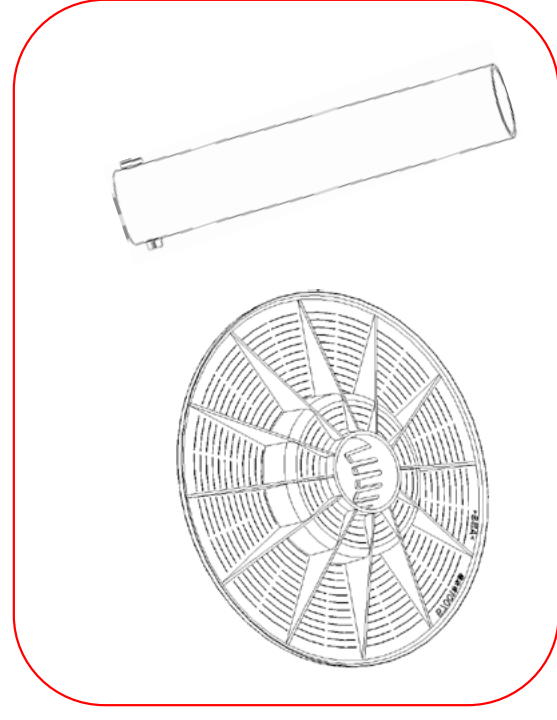


2-2



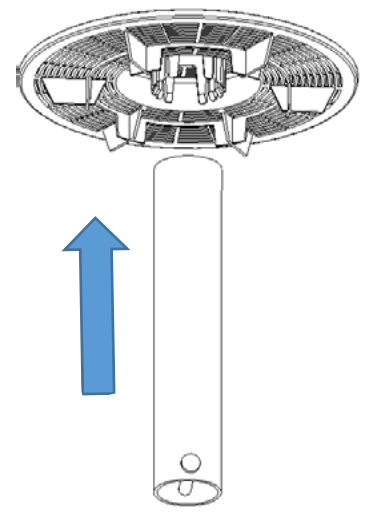
2-1

3

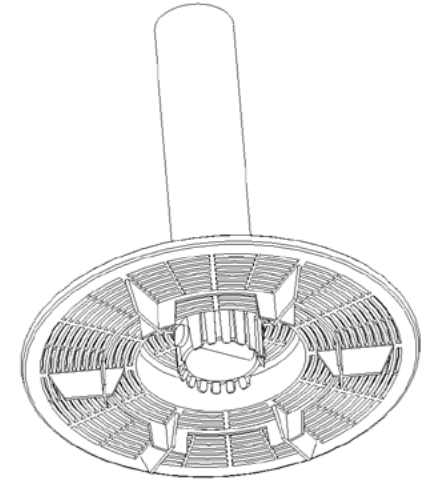


3-2

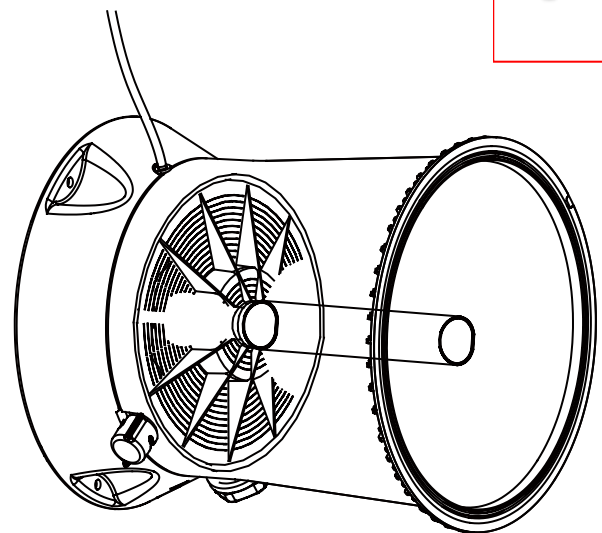
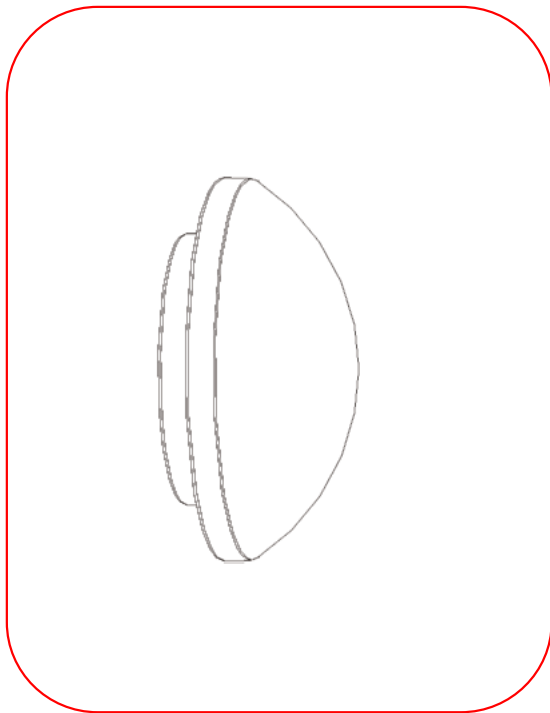
3-1-1



3-1-2

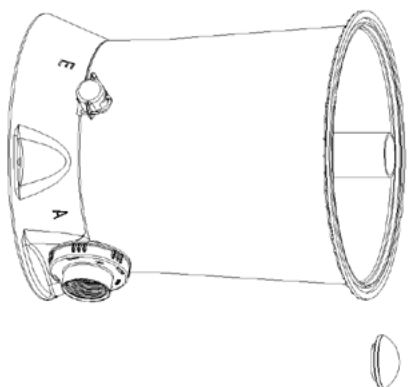




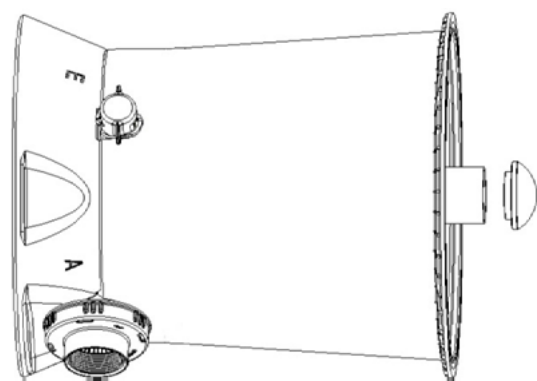


4

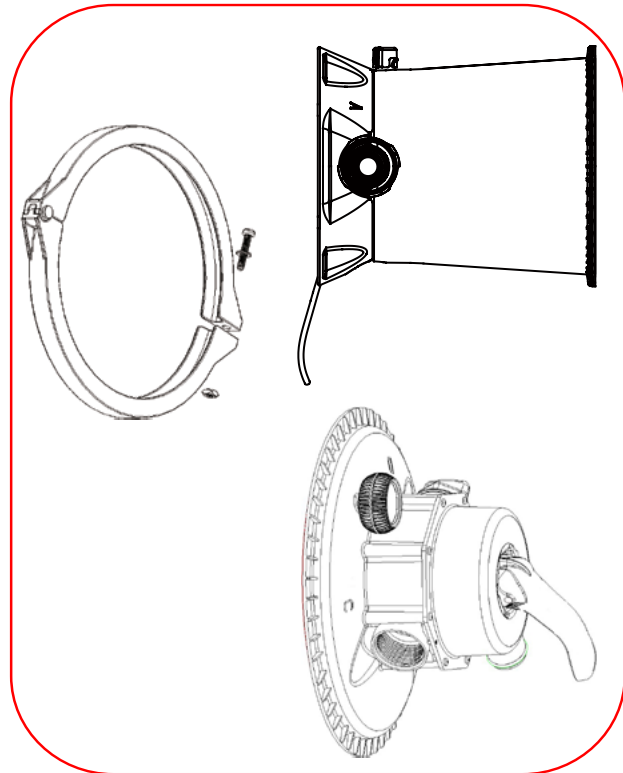
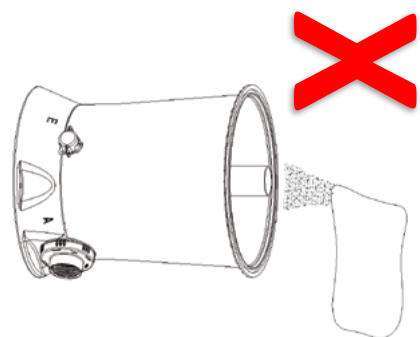
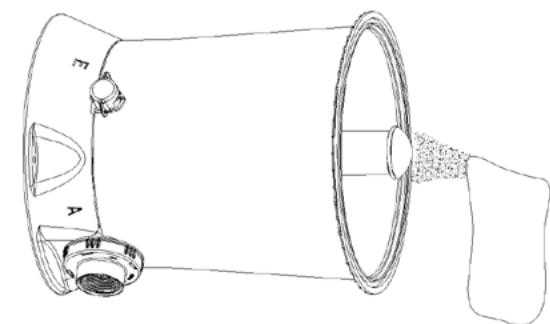
4-3



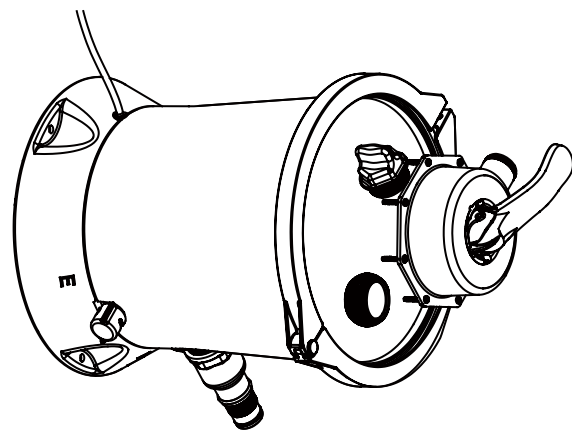
4-1



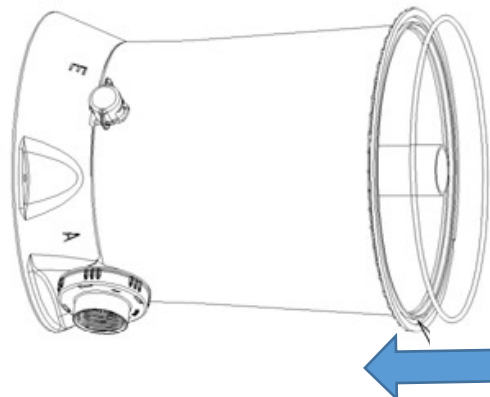
4-2



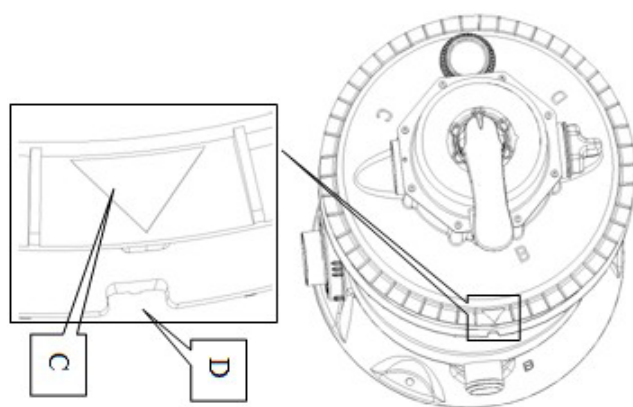
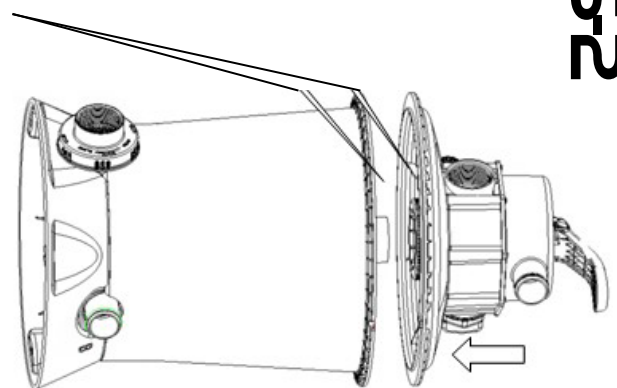
5

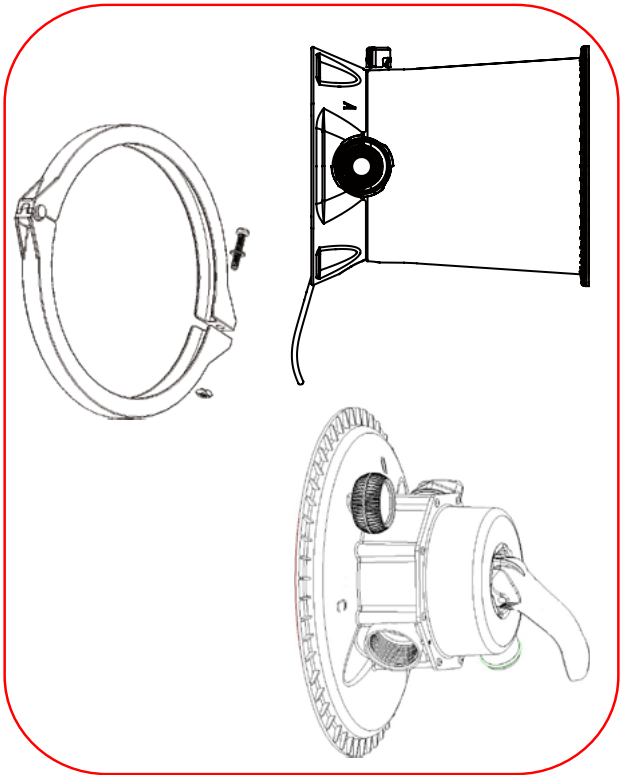


5-1

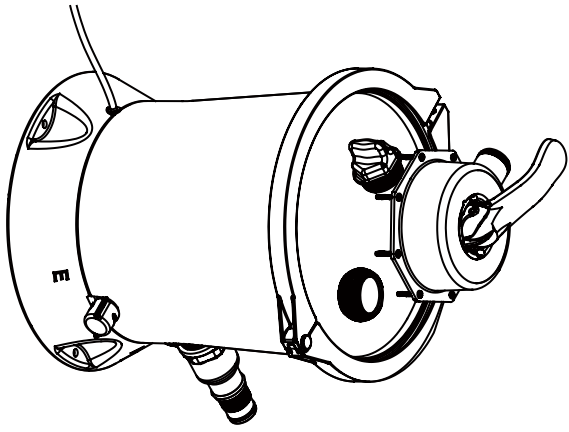


5-2

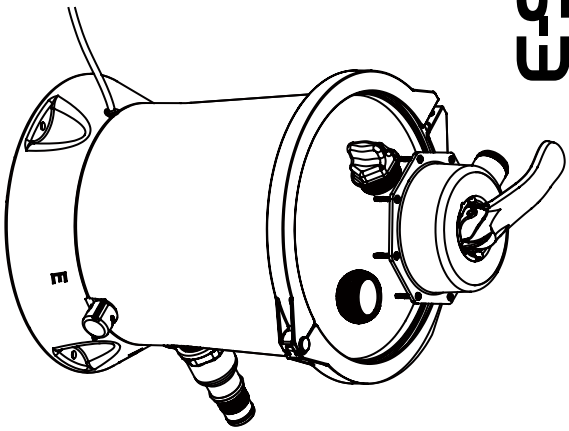




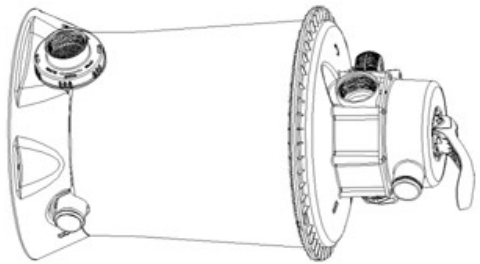
6



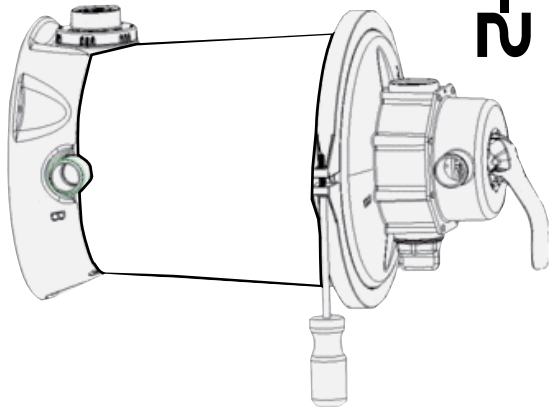
6-3



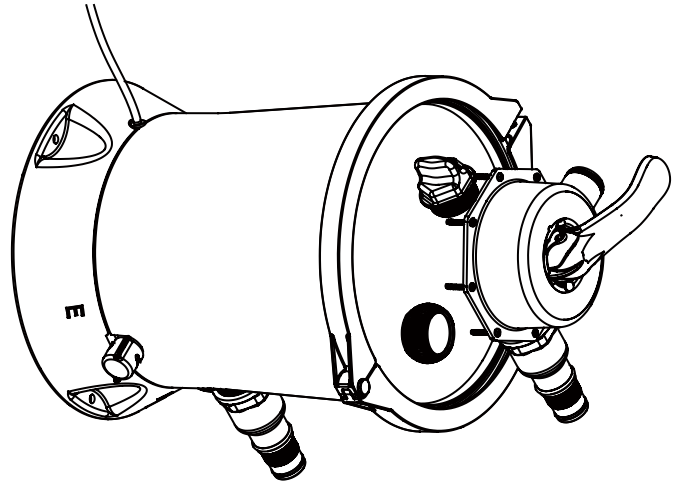
6-1



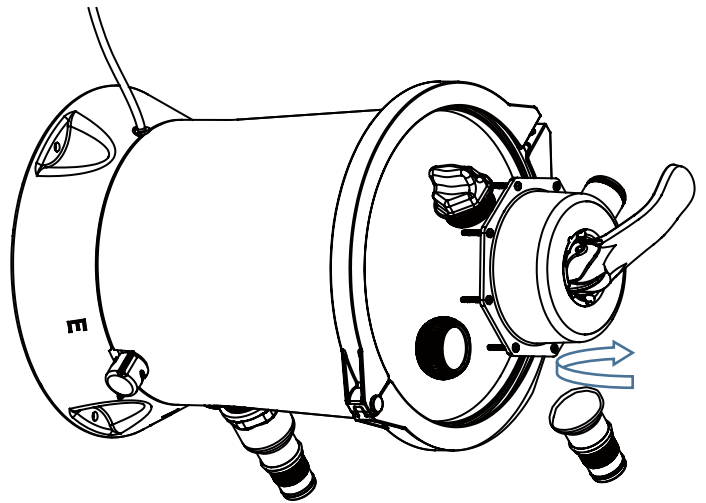
6-2



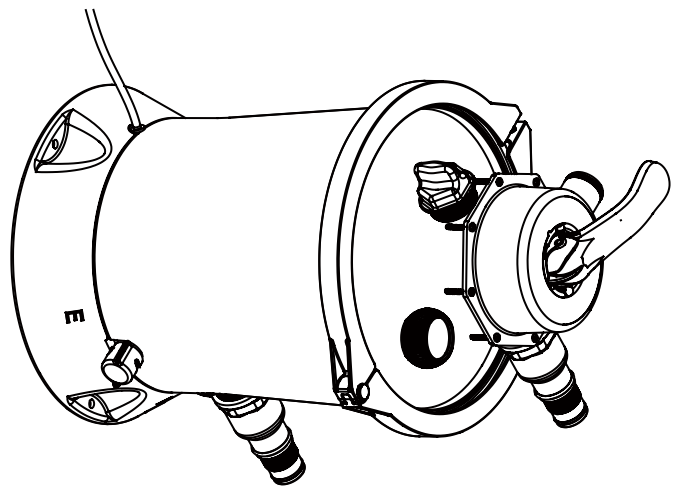
7

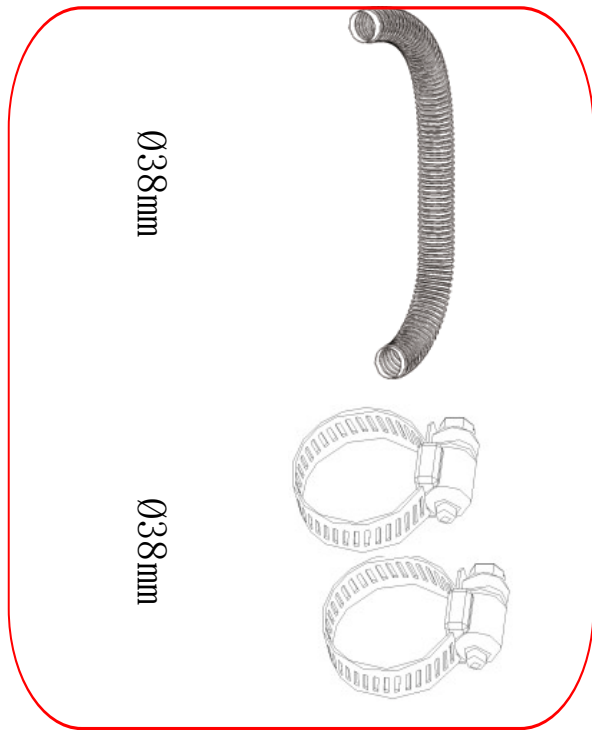


7-1

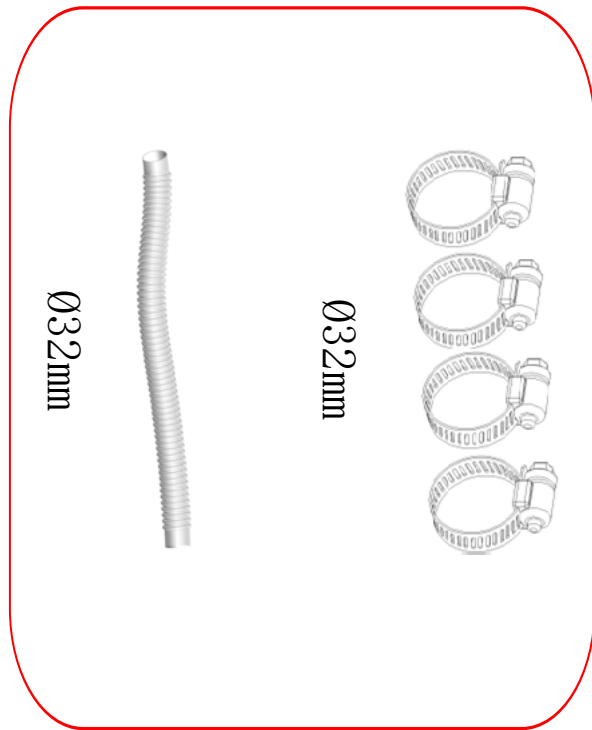
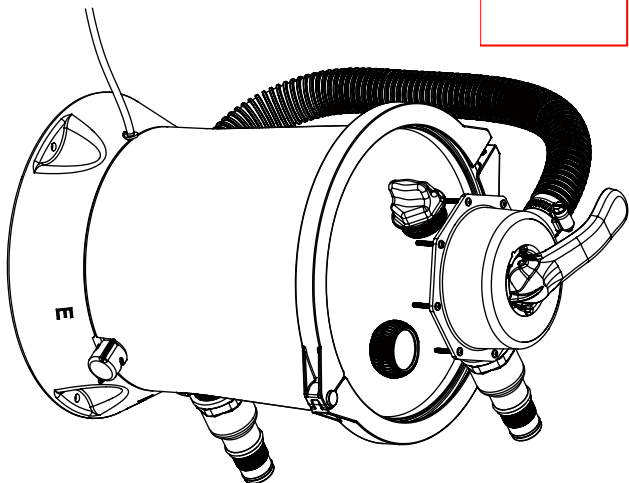


7-2

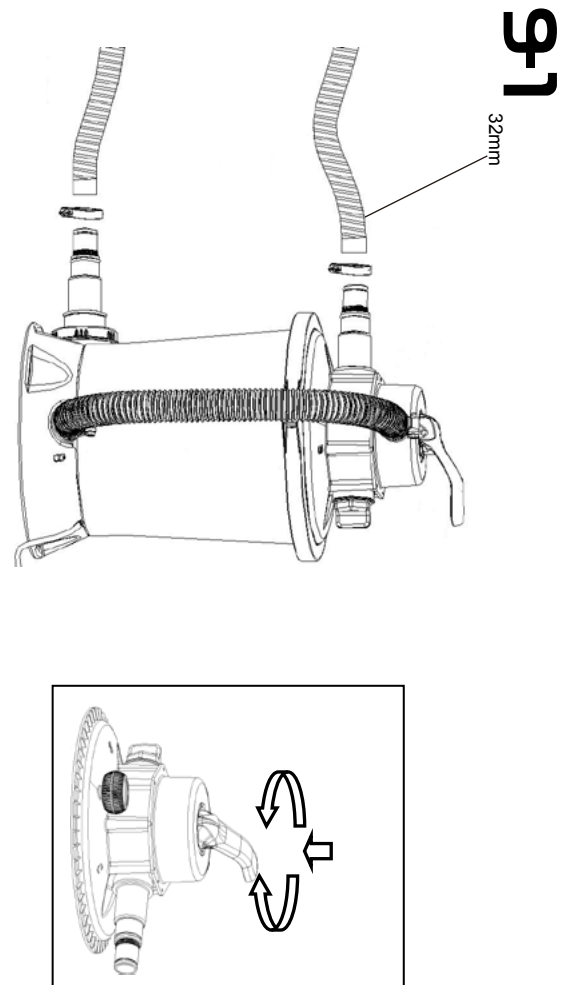
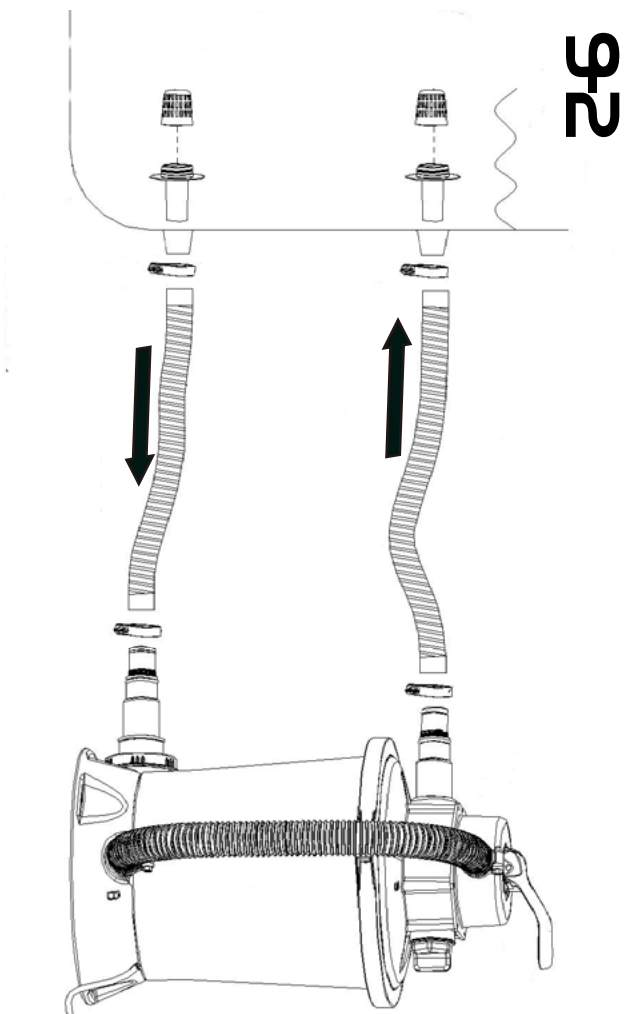
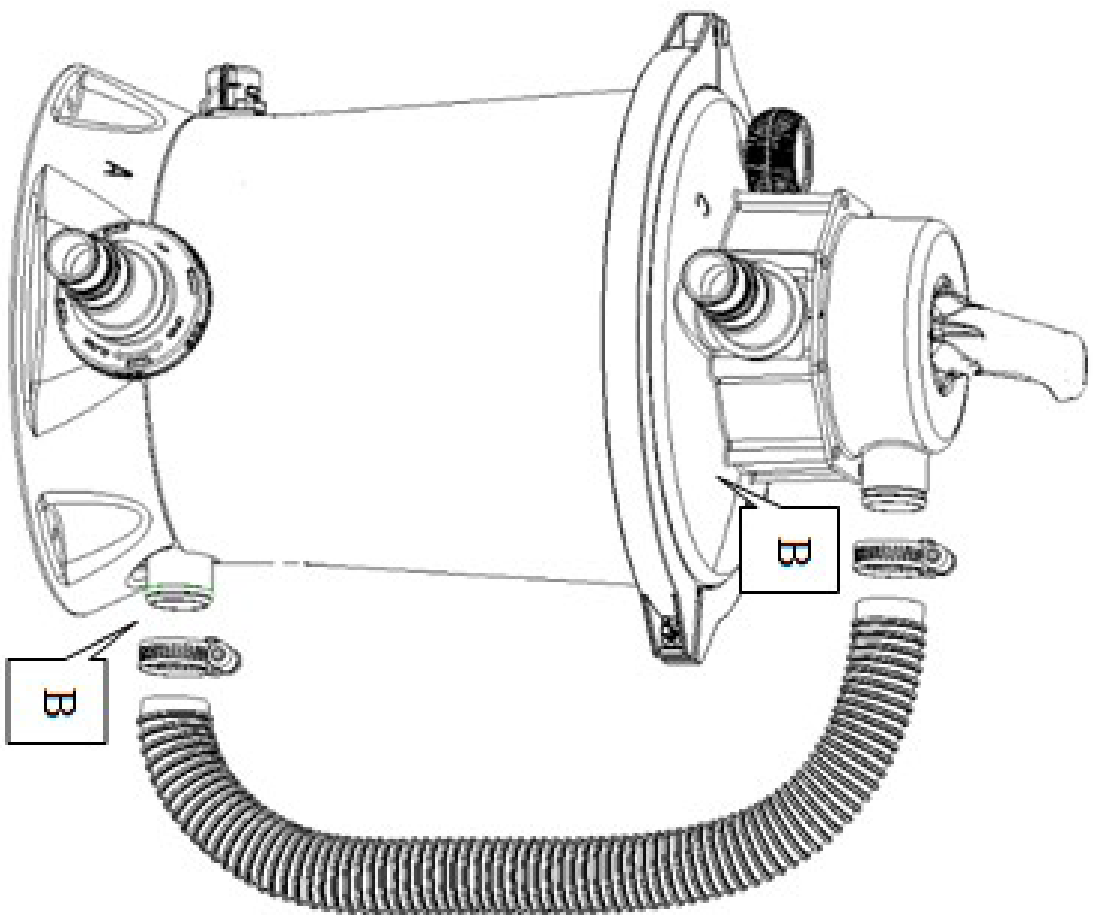
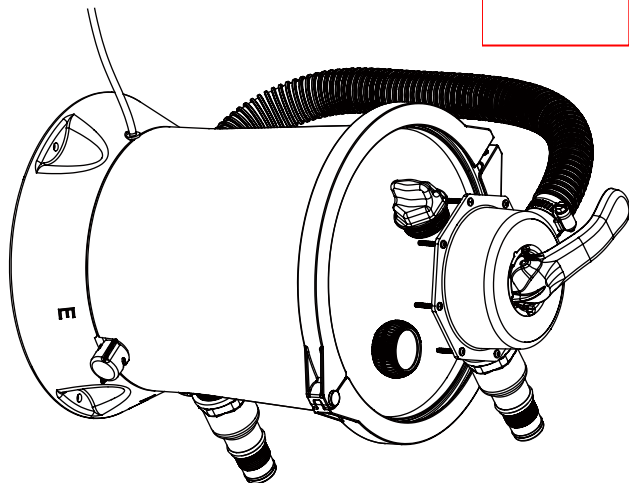




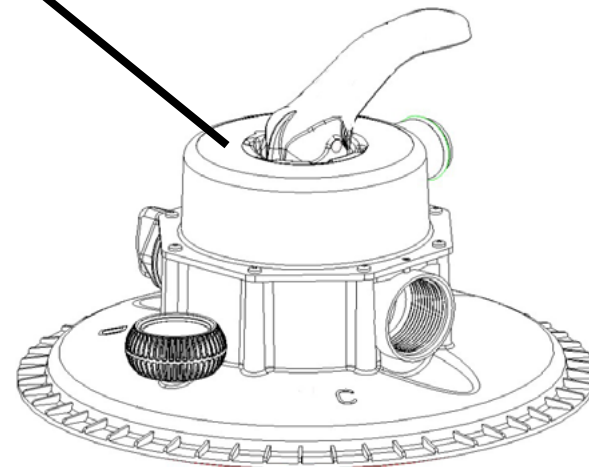
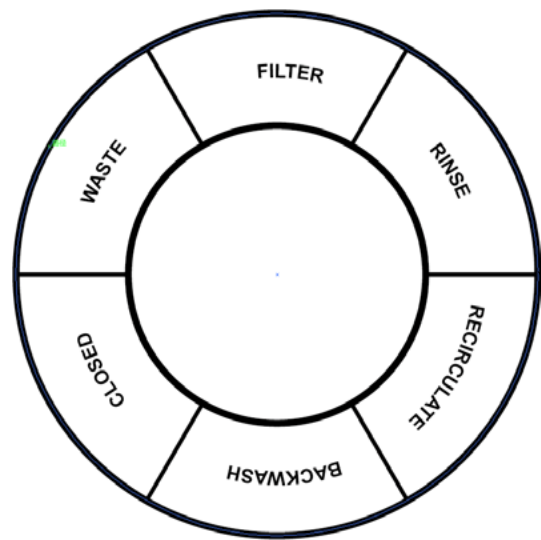
8



9







Location of control valve	Functions	Water flow direction
Filter	Normal filtering to rinse the pool	Water flows through the filter bed where the sand filter pump lies and then enters the pool
Backwash	Reverse-direction water flow to rinse the filter bed	Water flows through the filter bed where the sand filter pump lies and is then directly discharged from the drain outlet.
Rinse	This function is used for first startup. Sand in the sand tank is rinsed and the sand bed after backwashing is leveled.	Water flows through the filter bed where the sand filter pump lies and is then directly discharged from the drain outlet.
Drain	Discharged directly from the drain outlet, used to lower water level or discharge water from the pool	Discharged directly from the drain outlet of the sand filter pump without passing through the filter bed
Recirculation	Circulates pool water without passing through the filter bed.	Water flows directly into the pool through the control valve of the sand filter pump without passing through the filter bed
Closed	Closed water flow between the filter and the pool	/

Note: During the operation of the sand filter pump, check the pressure reading of the manometer.

Generally, when the pressure of the recommended sand filter pump is less than 0.2bar (3psi) (green area) , it runs normally.

Note: You must make sure that maintenance begins only after the sand filter pump is unplugged. Otherwise serious risks such as personal injury and even death may occur.

Note: Record the reading of the manometer during the operation of the sand filter pump. When the manometer shows a pressure of 0.2bar (3psi) or higher, please clean up the sand bend or replace the sand. Use "backwash" and "rinse" functions.

Note: regular rinsing according to use situation is recommended.



### Long-term storage and storage in winter

Using the product in a frozen pool may damage the product and invalidate the quality warranty. If the product has to be used with antifreeze, propylene glycol may also be used. Propylene glycol is a nontoxic chemical unharmed to any plastic parts. Other types of antifreeze are highly toxic and may be harmful to the product's plastic elements.

1. Before discharging the water or repositioning of the pool, make sure the discharge direction is towards the discharging ditch and away from the home. Review local regulations for special water treatment requirements.
2. Switch off the product and remove the power plug.
3. After emptying, remove all connected sand filter pumps, corrugated tubes and filter hoods on the pool wall.
4. Unscrew the drain valve (8) in an anticlockwise direction to completely empty water inside the body. The drain plug is at the bottom of the body.



5. Dry the parts of the sand filter pump and corrugated tubes.
6. Lubricate the seal rings and washers in the order below for long-term storage.
7. The best practice for product storage is to dry the parts and motor and replace them in the original package. To avoid shrinkage or corrosion, do not cover or wrap the motor with a plastic bag.
8. Please store the motor and parts in a dry place at 32°F (0°C) ~104°F (40°C).



## Diagnosis of Problems and Solutions

Problems	Checking	Solutions
The motor can not be started normally	Power plug not properly inserted Leakage protection disconnected Motor overheated or overloaded Causes motor to stop	Make sure the power cord is inserted into the 3-core grounded metal receptacle. Reset circuit breaker. If the problem persists, the power system may be defective. Power off immediately and confer with an expert. Allow the motor to cool naturally and start it again.
Filter Unable to rinse the pool	No sand in the body Location error of the control valve Excessive dirt in water Filter barrel blocked	Sand filling Refer to sand filling instructions The control valve rotates to the filter position to prolong the running time Clean the filter barrel
The filter is unable to discharge water or the water flow rate is too slow	There is blockage at the inlet There is an air leakage at the gap of the inlet Excessive dirt in water Filter medium is blocked by impurities The pool is connected with a cleaning device	Check and clear away the blockage in the water pipes Tighten the nozzle nuts and check the damaged point of the nozzle and water height Clean the filter screen Backwash Disassemble the cleaning device connected to the pool
Filter fails to run	Water level is too low Filter screen is blocked Air leakage from the inlet pipe Motor or blade is blocked	Inject water to adjust water level Clean the filter screen in the pool Tighten the nozzle and check the damaged point Replace the fittings
Water leakage on the control valve or upper cover	The seal ring of the body is lost or too dirty The control valve retainer is not tightly secured or damaged	Remove the upper cover of the control valve and sleeve the seal ring of the body Clean the seal ring of the body with a water pipe Tighten the screw with a screwdriver Replace the fittings
The manometer fails to run	The inner wall of the manometer is blocked The manometer is damaged	Remove the manometer from the control valve and clear away the impurities on the inner wall Replace the fittings
Sand enters the pool	The sand particles are too fine	Use 20# quartz sand only Particle size of the sand is 0.45-0.85mm Or replace the sand