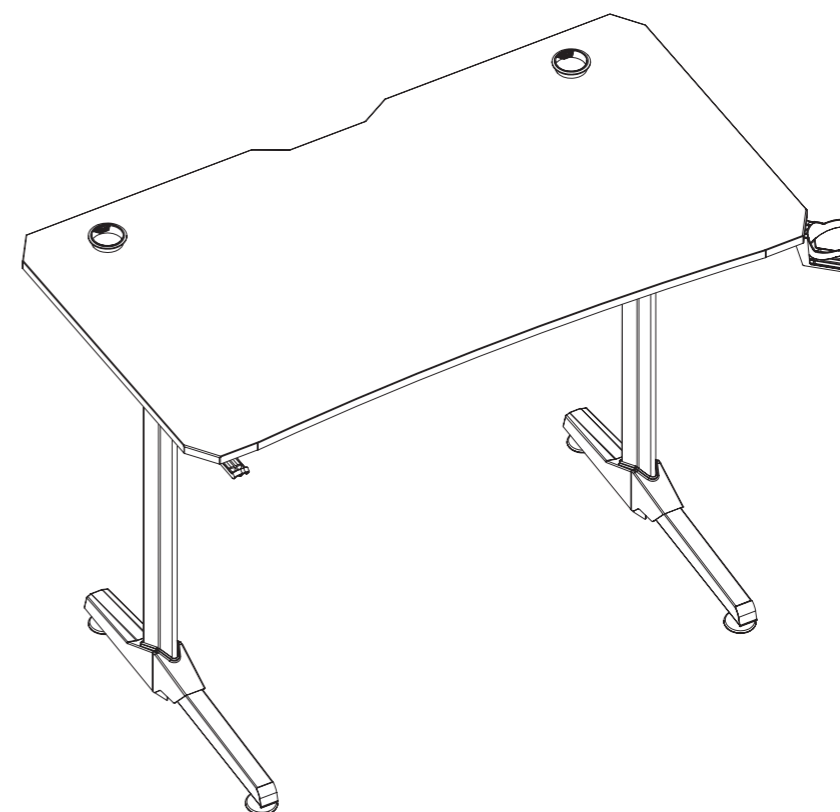
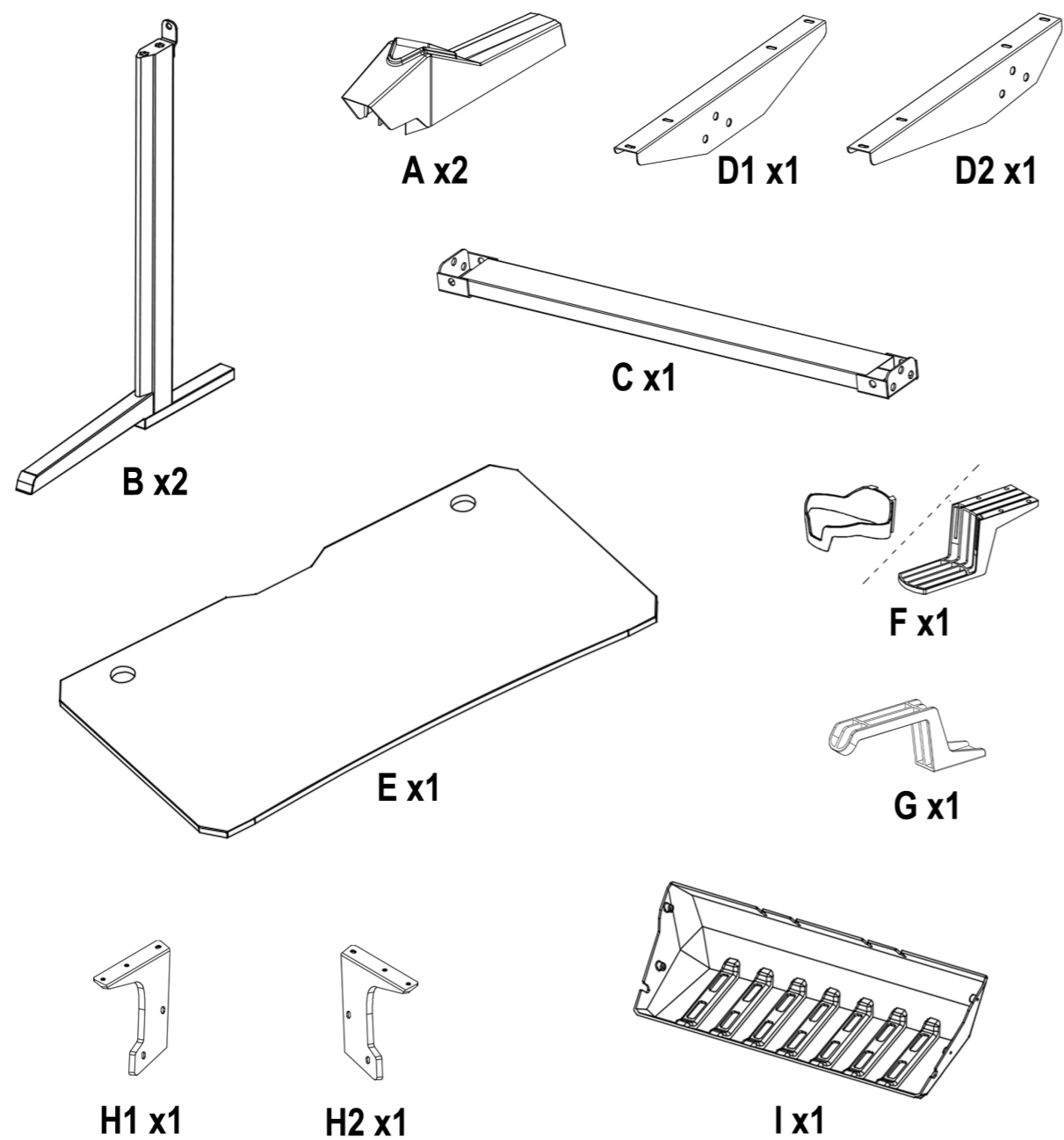


# XRocker®

## PANTHER V2 GAMING DESK

### Assembly Instructions

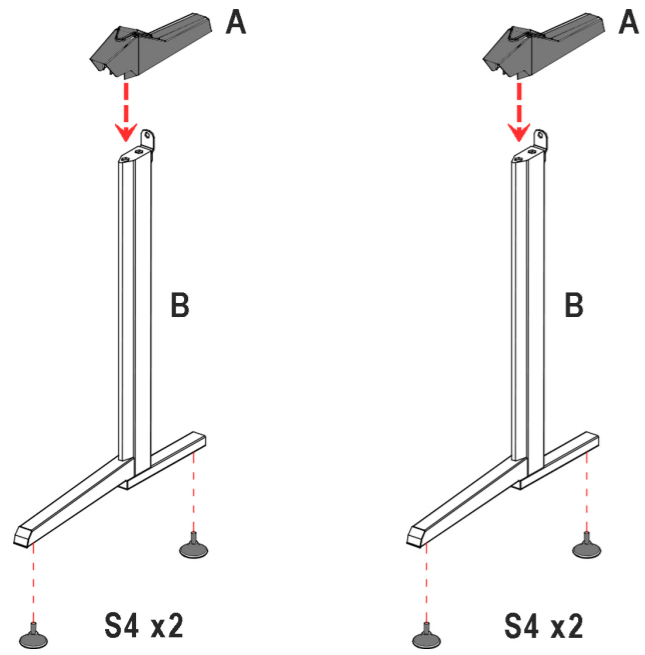


Need Help? Contact X Rocker at: [www.xrocker.com/pages/support](http://www.xrocker.com/pages/support)

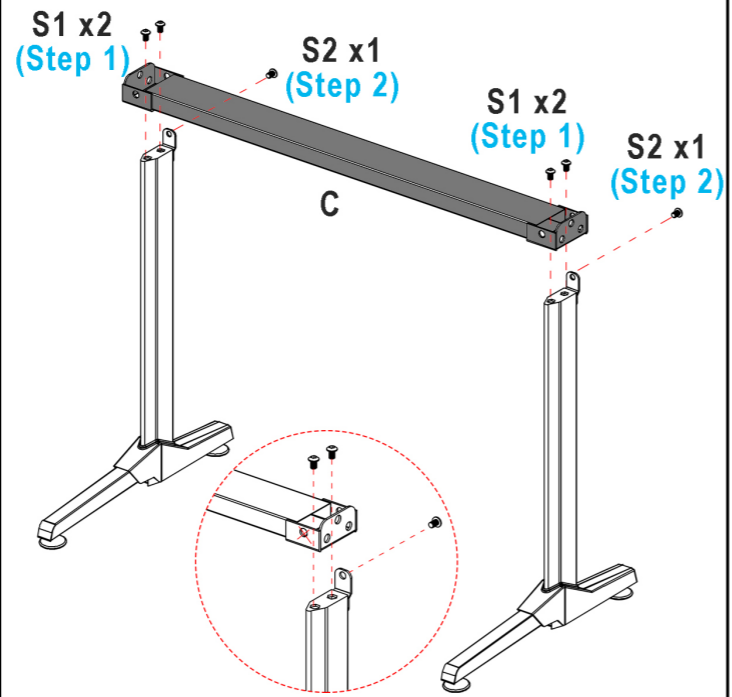
**IMPORTANT:** You must keep your original retail receipt as proof of purchase

Please retain for future reference

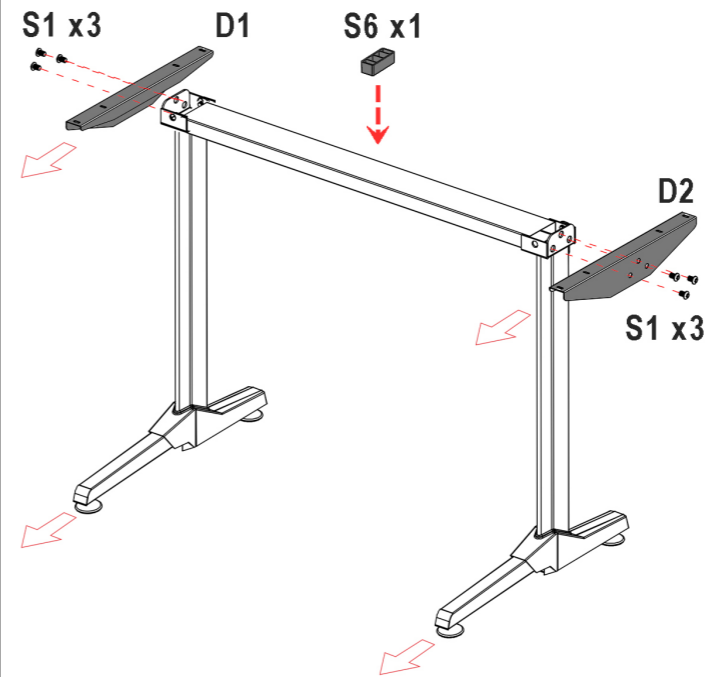
1



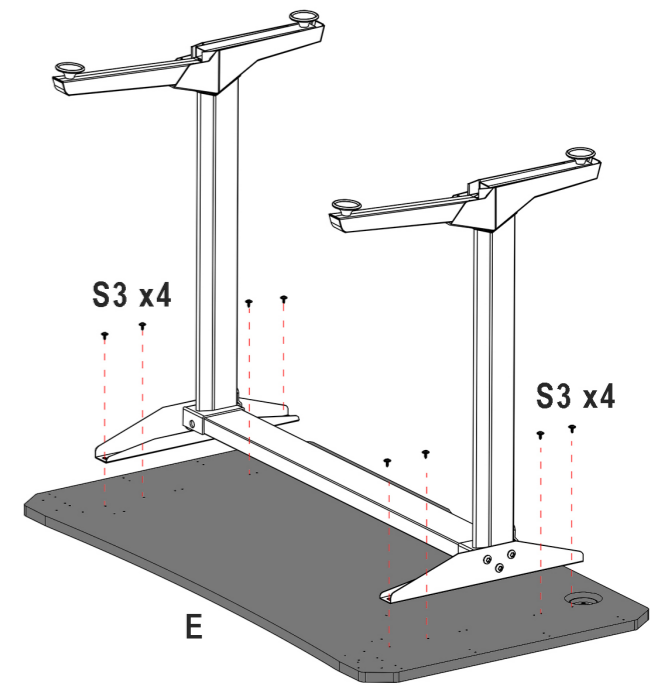
2



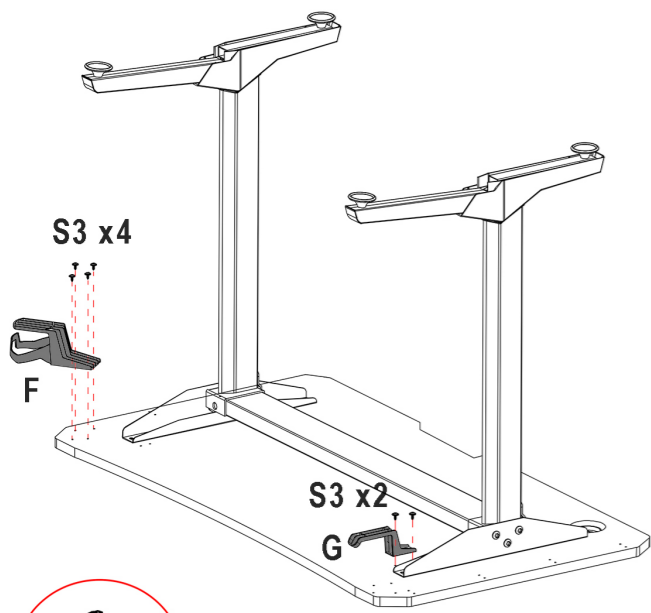
3



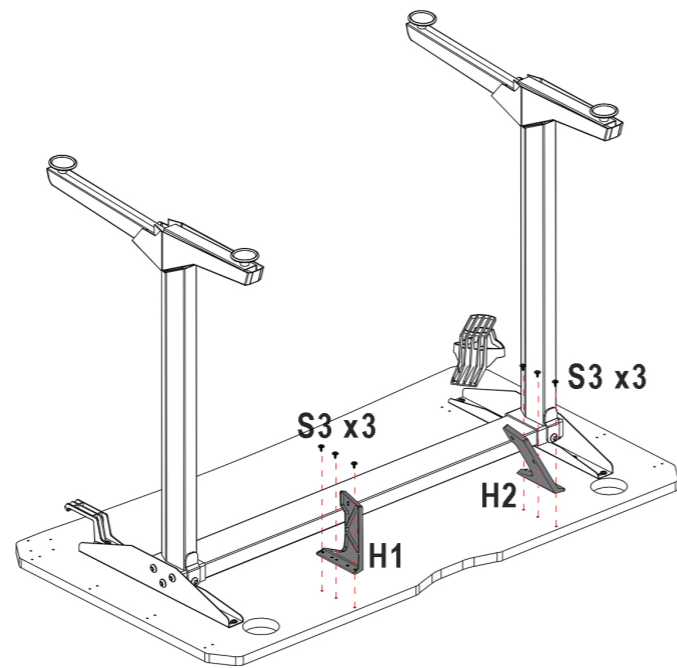
4



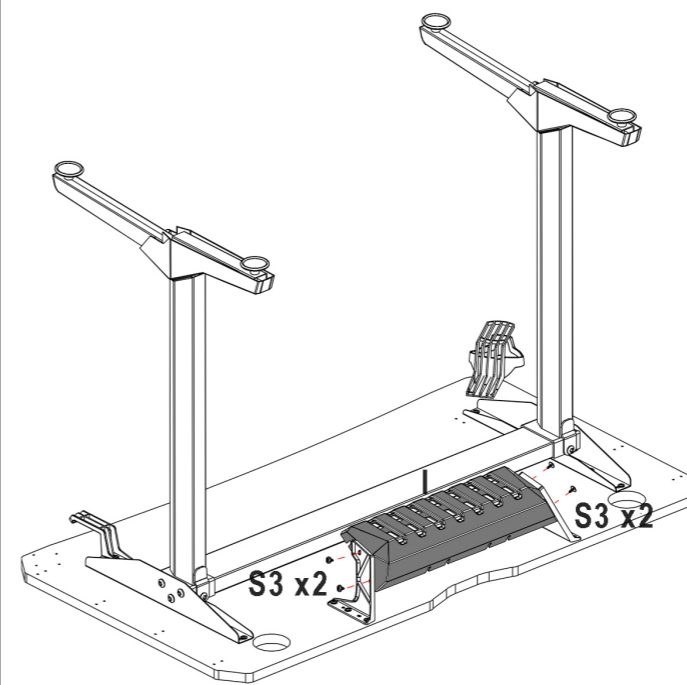
5



6



7



8

