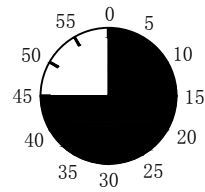
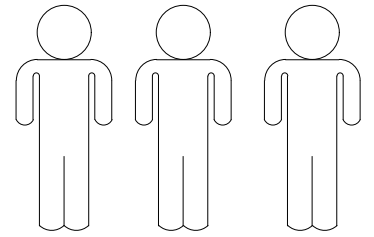
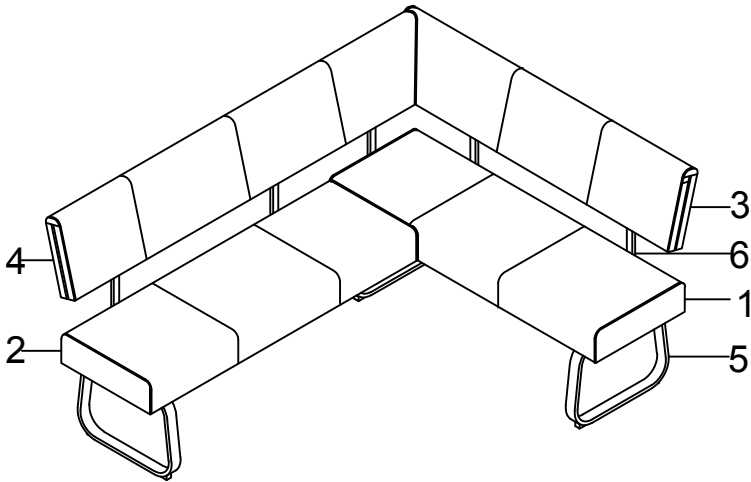
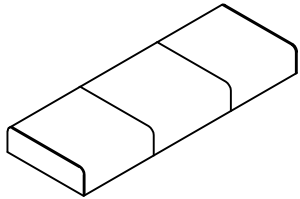


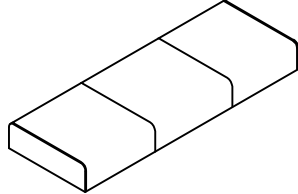
OLGA L



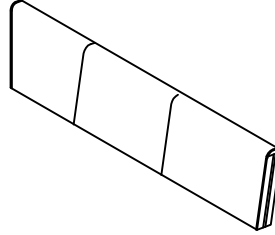
1



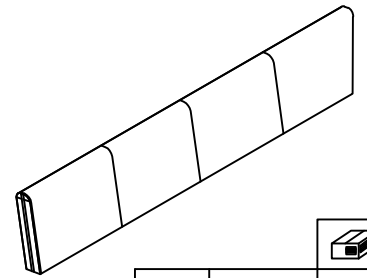
2



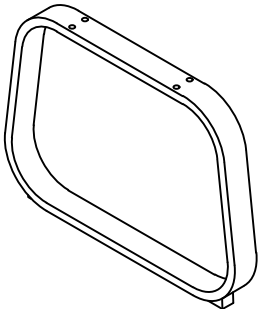
3



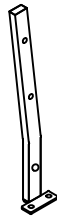
4



5



6



3/3



| | | |
|---|----|-----|
| 1 | 1x | 2/3 |
| 2 | 1x | 3/3 |
| 3 | 1x | 1/3 |
| 4 | 1x | 1/3 |
| 5 | 2x | 2/3 |
| 5 | 1x | 3/3 |
| 6 | 3x | 2/3 |
| 6 | 2x | 3/3 |

A

M8*35



22X

B

M8*18



14X

C

M8*40



5X

D

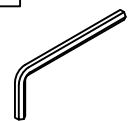
Ø18*Ø8*1.5



41X

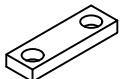
E

5mm



1X

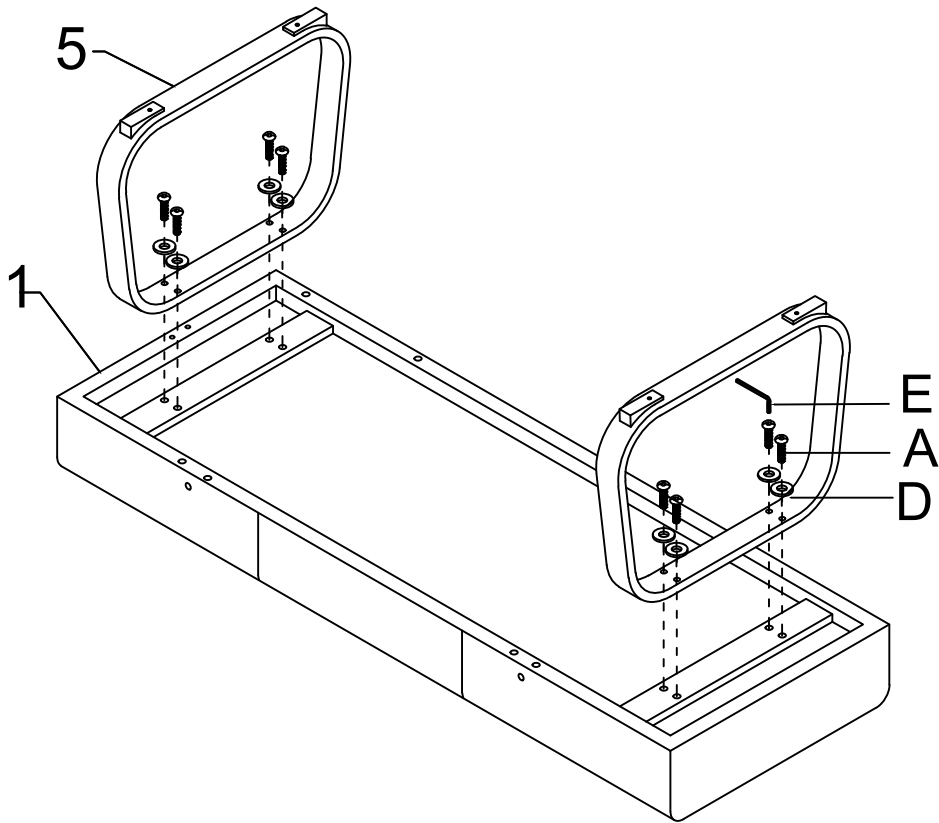
F



2X

I.

1.



A

M8*35



8X

D

Ø18*Ø8*1.5



8X

E

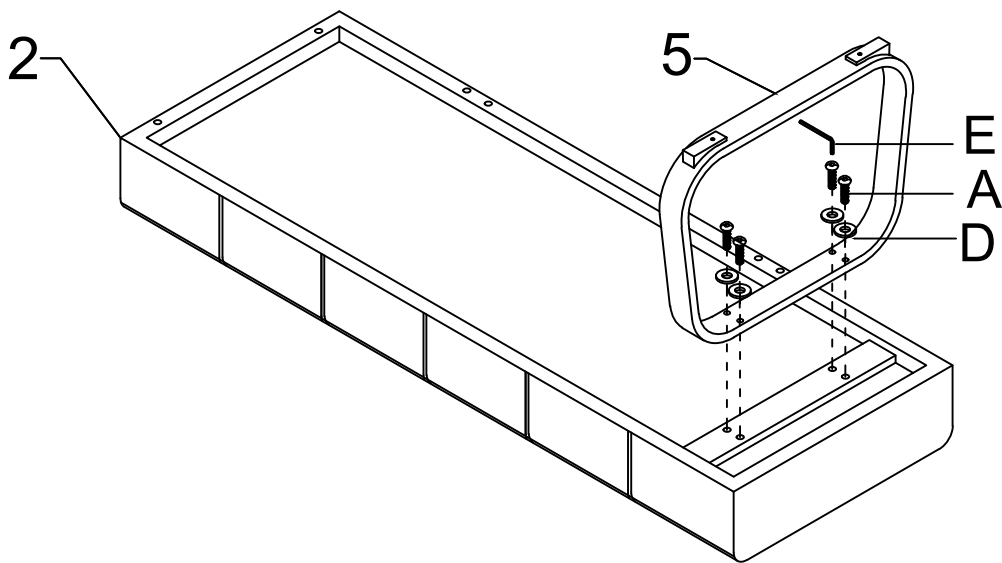
5mm



1X



2.



A

M8*35



4X

D

Ø18*Ø8*1.5



4X

E

5mm

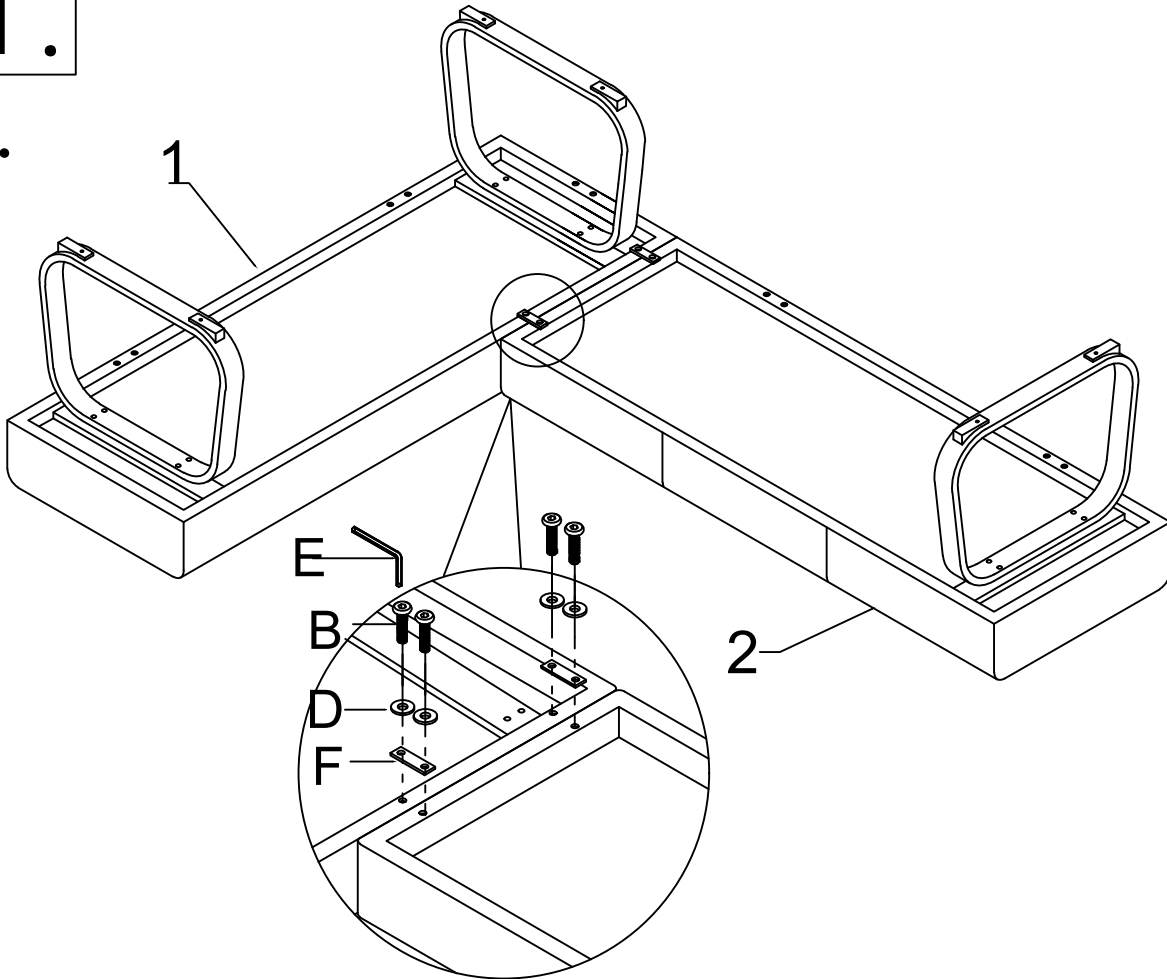



1X



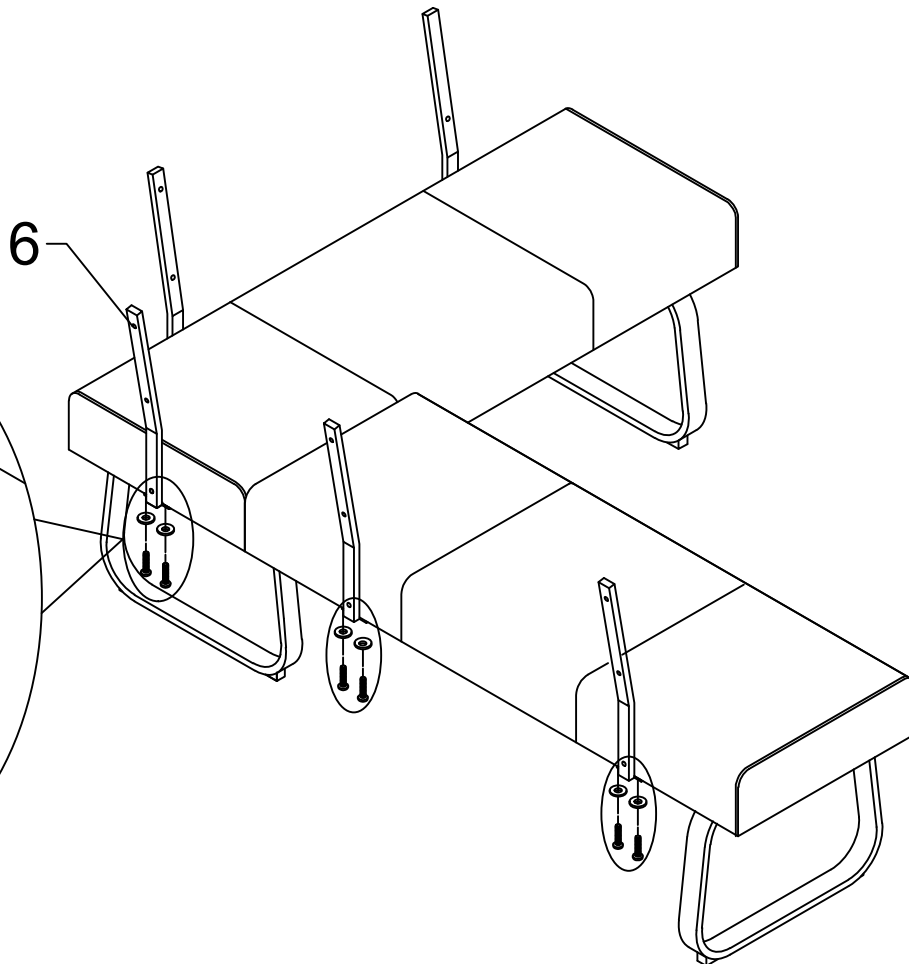
11.


3.



- B** M8*18
4X
 - D** Ø18*Ø8*1.5
4X
 - E** 5mm
1X
 - F**
2X
- 

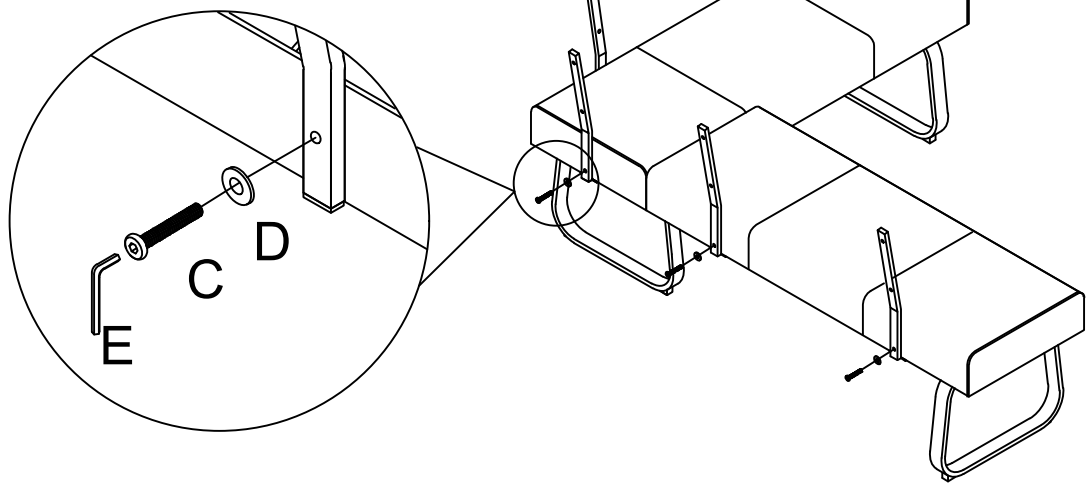
4.



- B** M8*18
10X
 - D** Ø18*Ø8*1.5
10X
 - E** 5mm
1X
- 

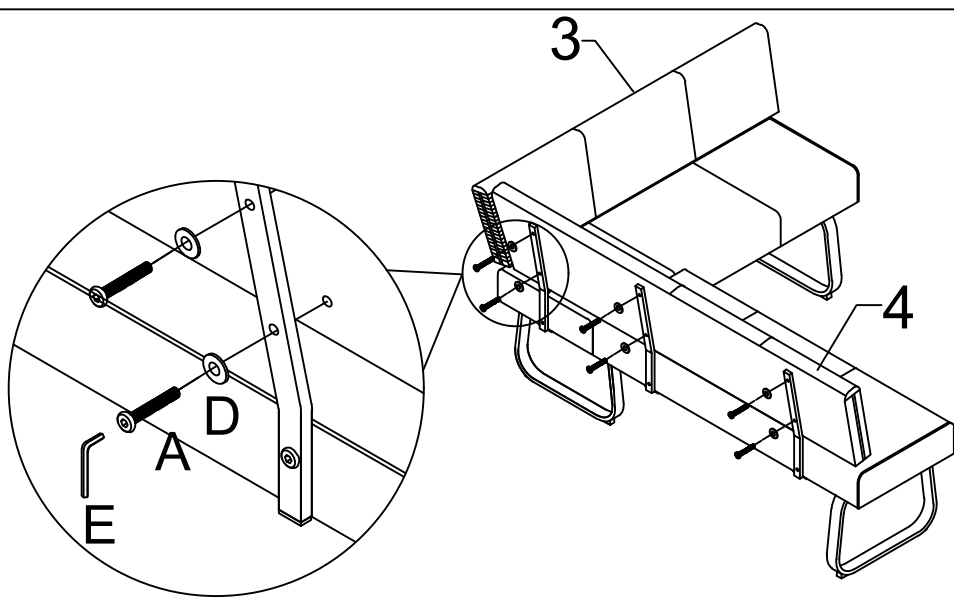
III.

5.



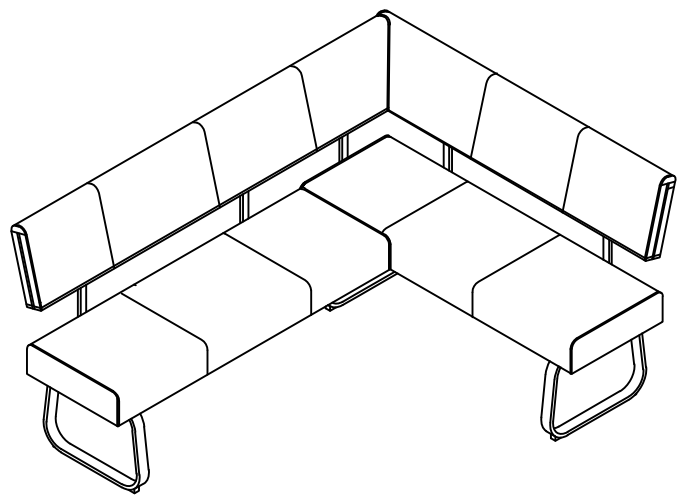
- C** M8*40
5X
 - D** Ø18*Ø8*1.5
5X
 - E** 5mm
1X
- 75%

6.



- A** M8*35
10X
 - D** Ø18*Ø8*1.5
10X
 - E** 5mm
1X
- 75%

7.



- E** 5mm
1X
- 100%



LE TRI FACILE **BAC DE TRI**

Séparez les éléments avant de trier