

1/5

	B	H	T	
1	903	225	16	x4
4	865	405	3	x4
5	851	125	16	x4
9	891	463	16	x1
10	891	463	16	x1

2/5

	B	H	T	
2	140	400	16	x4
3	140	400	16	x4
7	434	463	16	x1
13	1831	481	16	x1
14	1831	500	16	x1

3/5

	B	H	T	
11	1939	481	16	x1
12	1939	481	16	x1
15	1955	906	3	x2

4/5

	B	H	T	
8	1798	463	16	x1
16	1492	450	16	x1
19	1492	450	16	x1

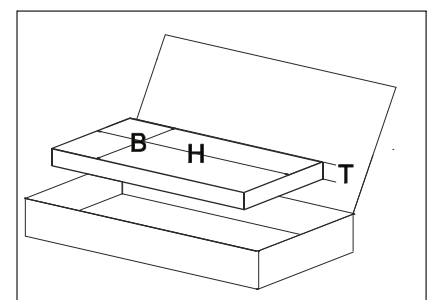
5/5

	B	H	T	
6	1489	463	16	x1
16	1492	450	16	x1
19	1492	450	16	x1

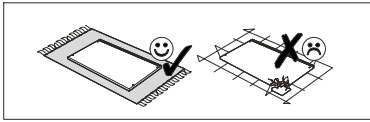
W6 5	W4 24	W1 70	W11 44	ZM1A 24	TPP3 4	ZM1B 16
KRW1 2	KT1 44	KM1 8	KD2 4	K1 12	ZP1 12	KK1 1
ZM1 18	ZK 6	WDS2 4	SS3 5	S1 26	PL1 10	UD1 4
WU 16	U80 8	KS1 2	ZW5 8			

L-400 PQ5 x4	L-400 PQ6 x4

DR886 2



01

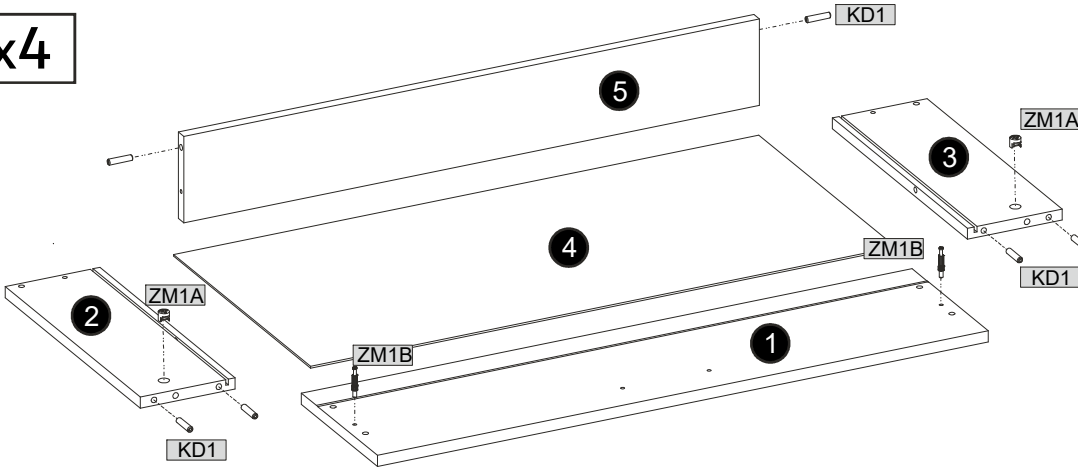


8x35		8x35		8x35	
KD1	6	ZM1B	2	ZM1A	2

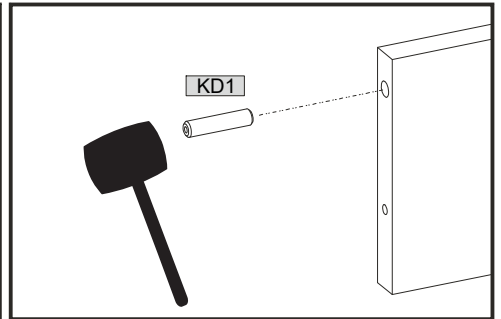
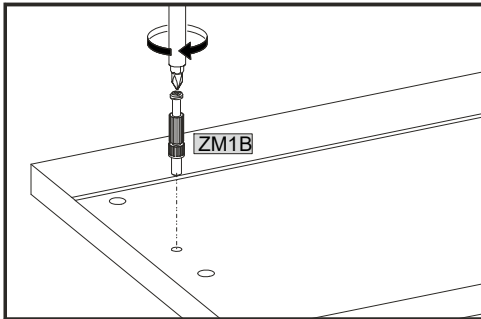
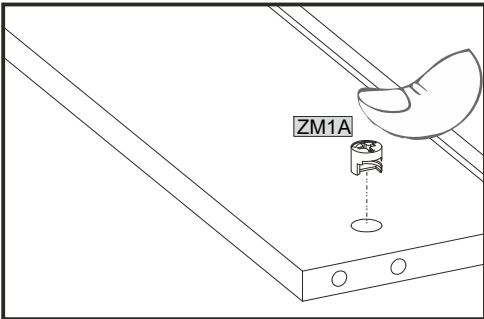


	B	H	T	
1	903	225	16	x4
4	865	405	3	x4
5	851	125	16	x4
9	891	463	16	x1
10	891	463	16	x1

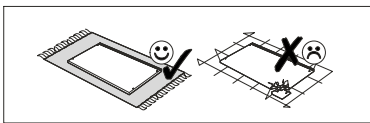
x4



2/5				
	B	H	T	
2	140	400	16	x4
3	140	400	16	x4
7	434	463	16	x1
13	1831	481	16	x1
14	1831	500	16	x1

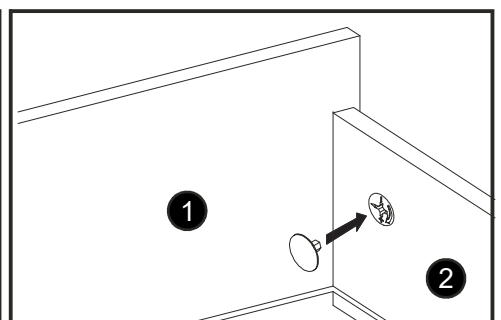
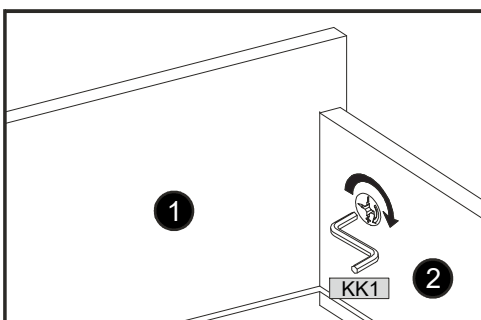
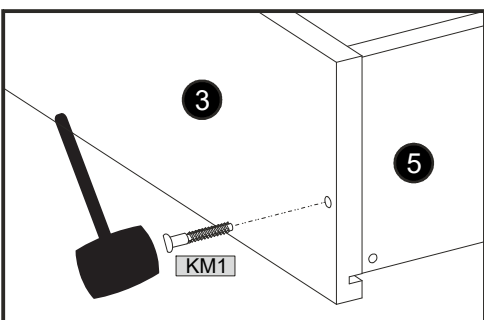
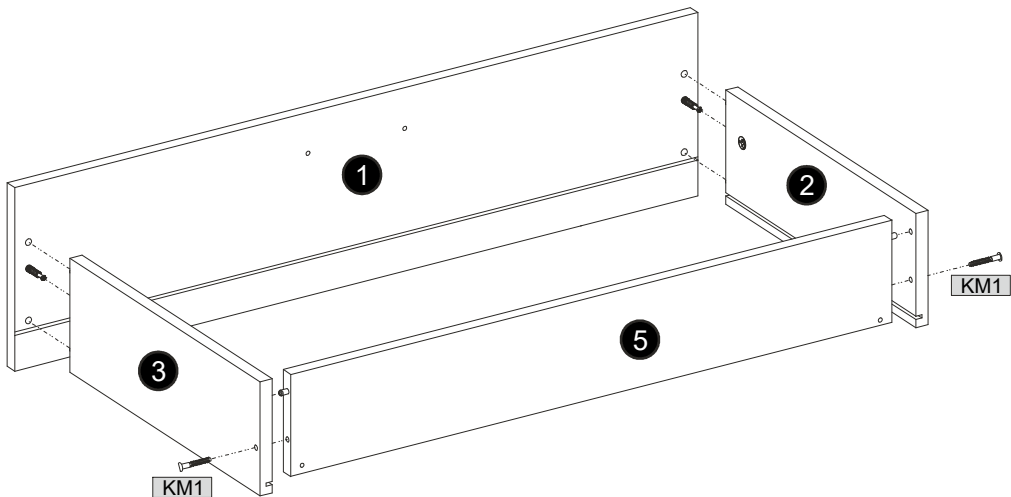


02



5x42		5x42		5x42	
KM1	2	KK1	1	ZM1	2

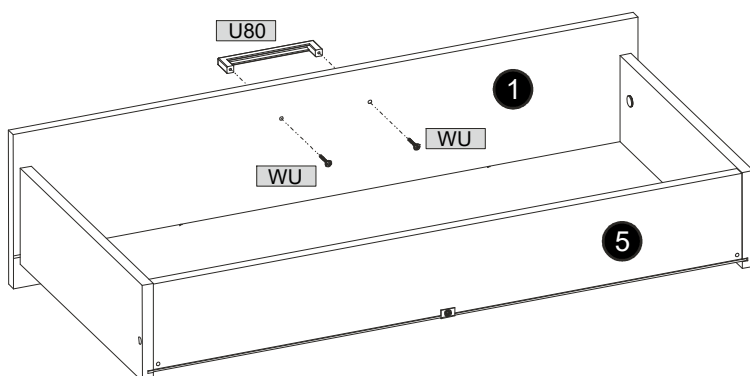
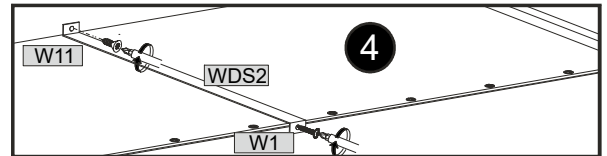
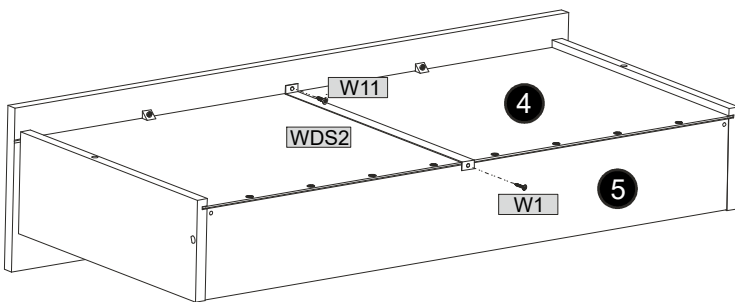
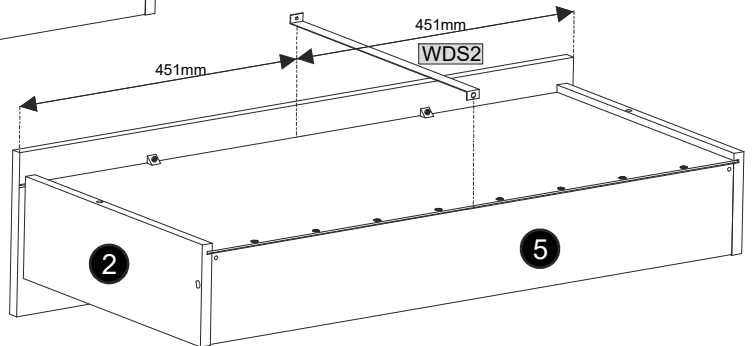
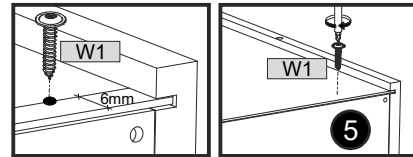
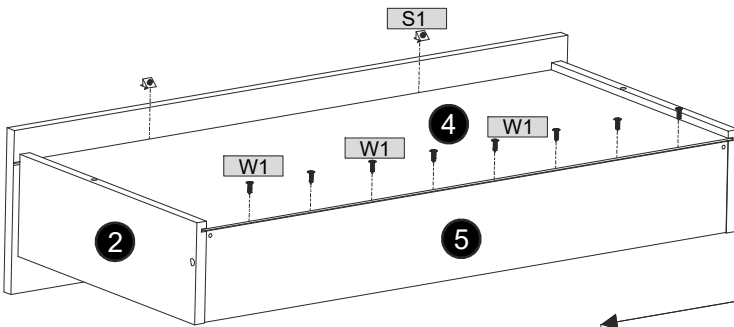
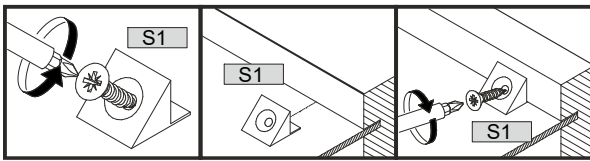
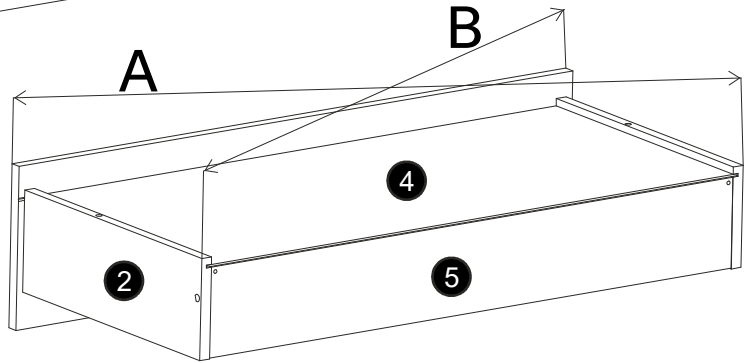
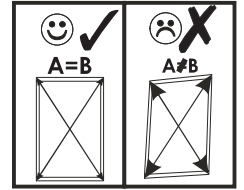
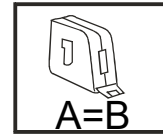
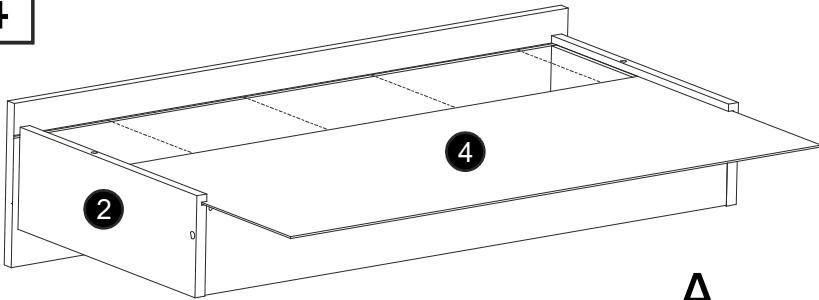
x4



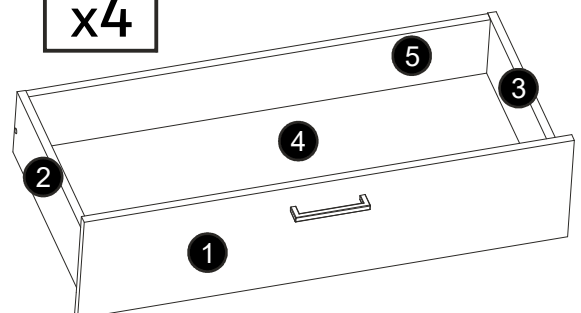
03

	3x16			3,5x16		4x30					
W1	9	S1	2	WDS2	1	W11	1	U80	1	WU	2

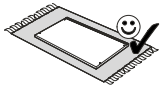

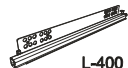
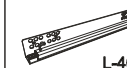



x4

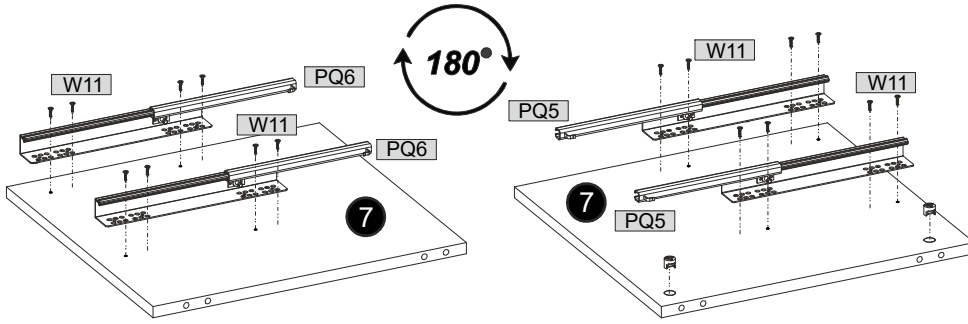


x4



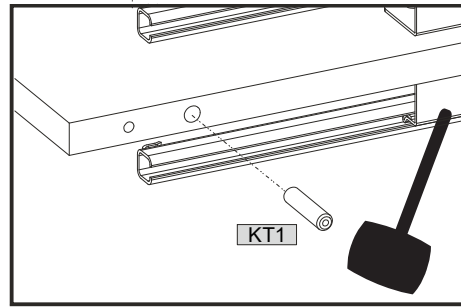
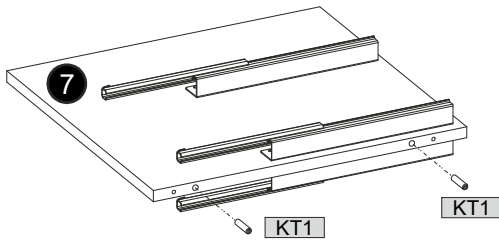
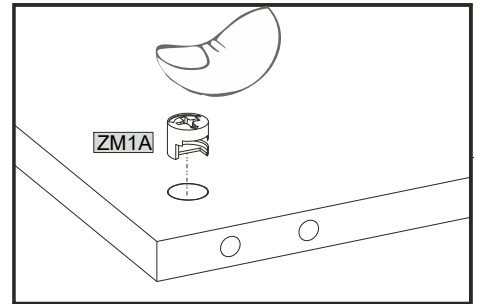
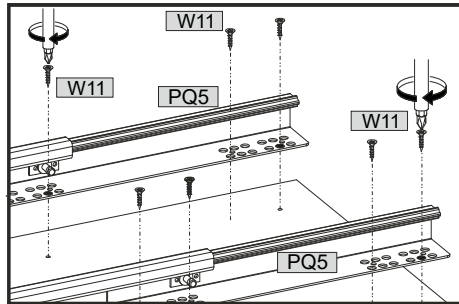
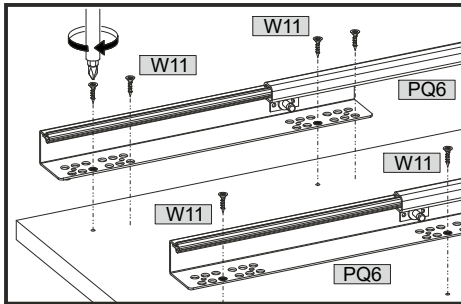
04

		 L-400	 L-400	 3,5x16	 ZM1A	 8x35			
PQ5	x2	PQ6	x2	W11	16	ZM1A	2	KT1	2

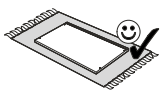





1/5 

2/5				
	B	H	T	
7	434	463	16	x1

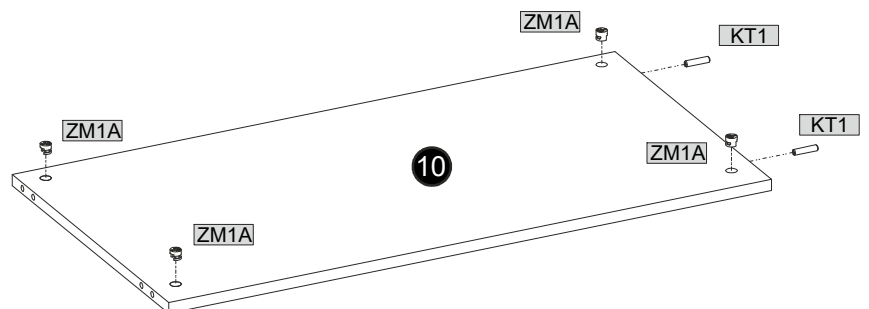
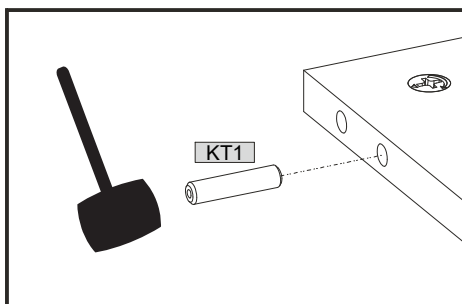
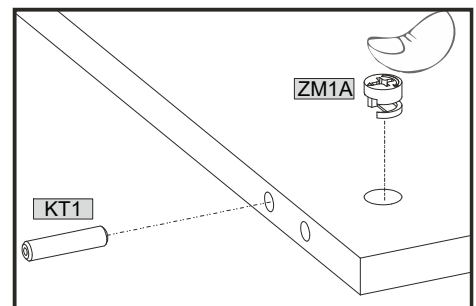
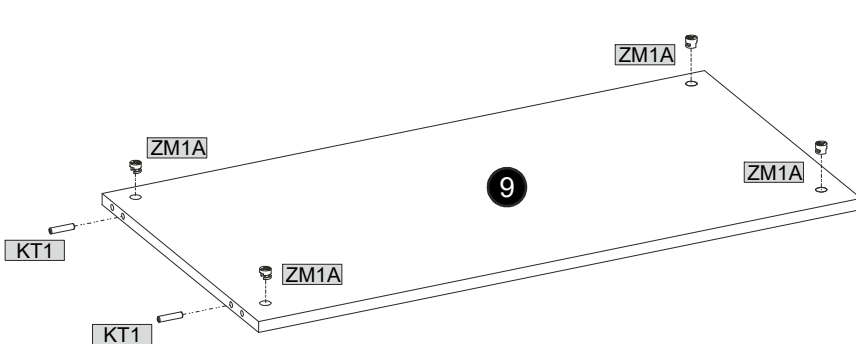


05

		 ZM1A	 8x35
		8	4

1/5 

	B	H	T	
9	891	463	16	x1
10	891	463	16	x1

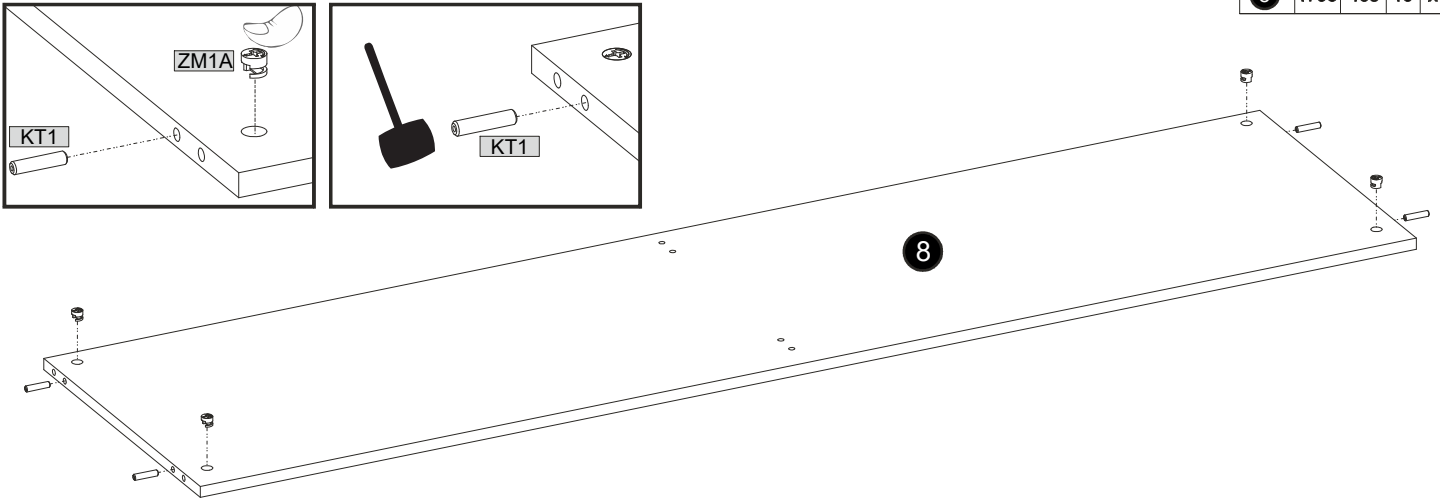


06

ZM1A	4	KT1	4
------	---	-----	---

1/5

4/5			
B	H	T	
8	1798	463	16 x1



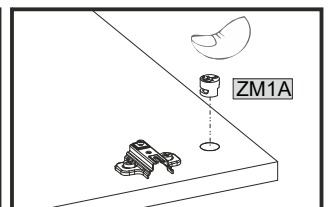
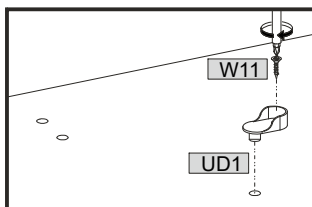
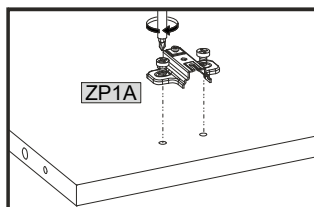
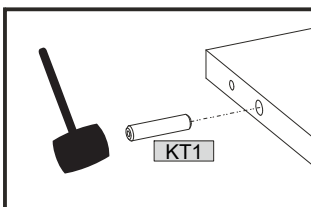
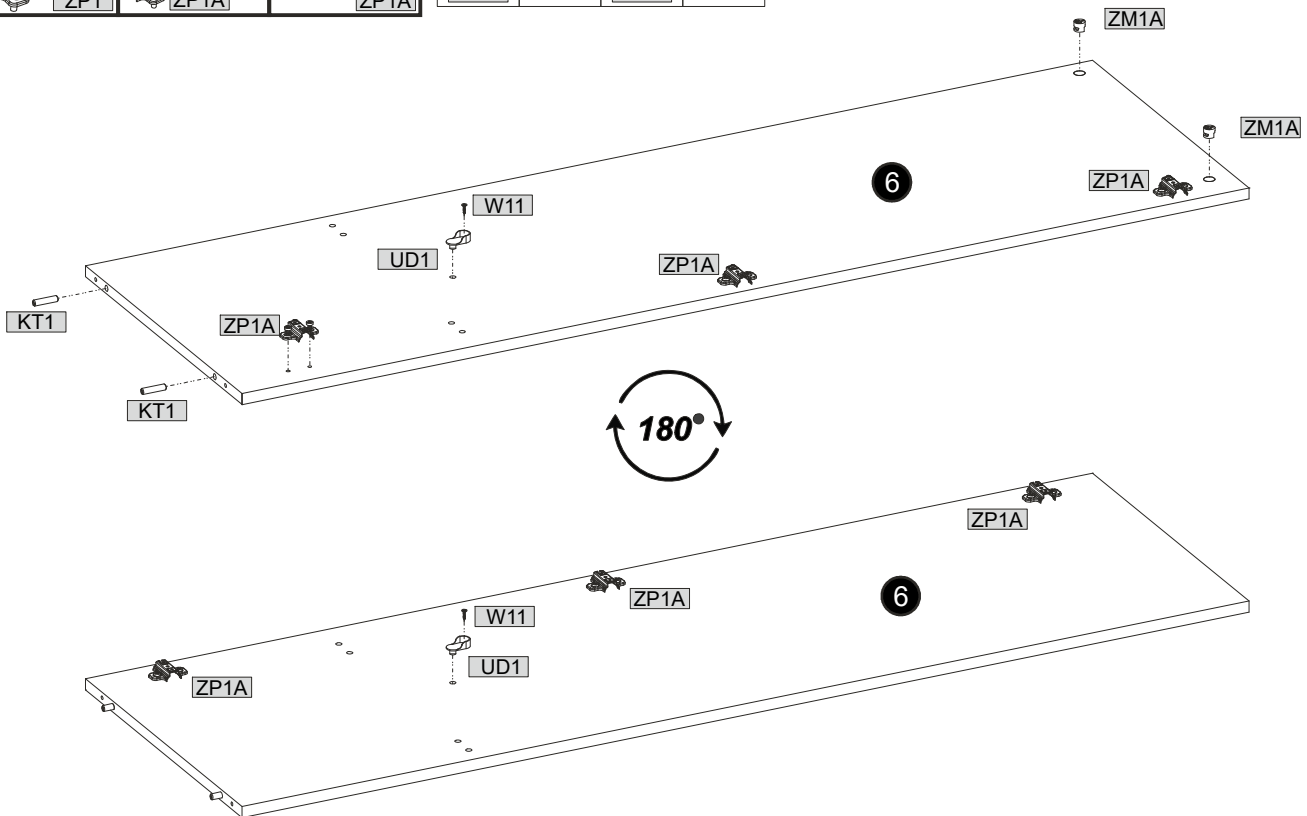
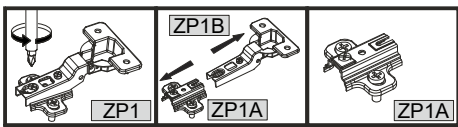
07

ZM1A	2	KT1	2	UD1	2
------	---	-----	---	-----	---

ZP1	6	W11	2
-----	---	-----	---

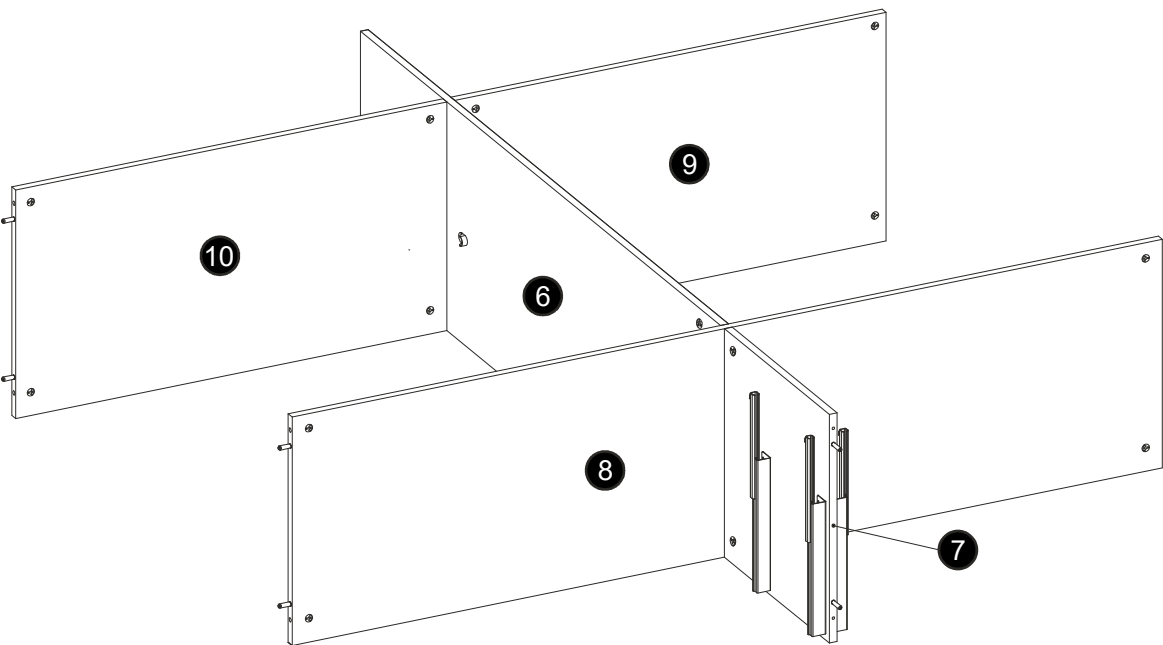
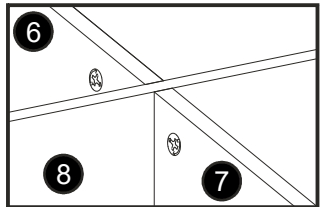
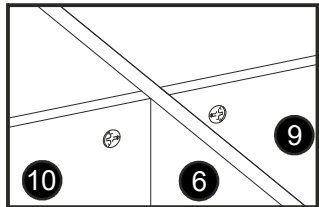
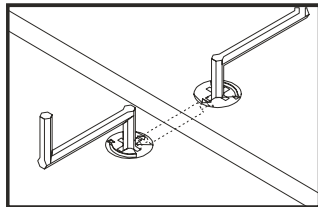
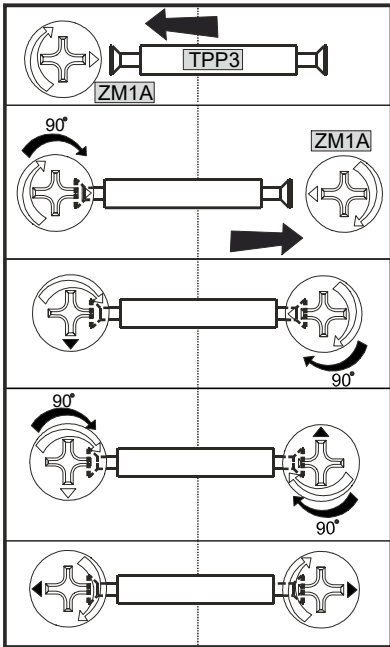
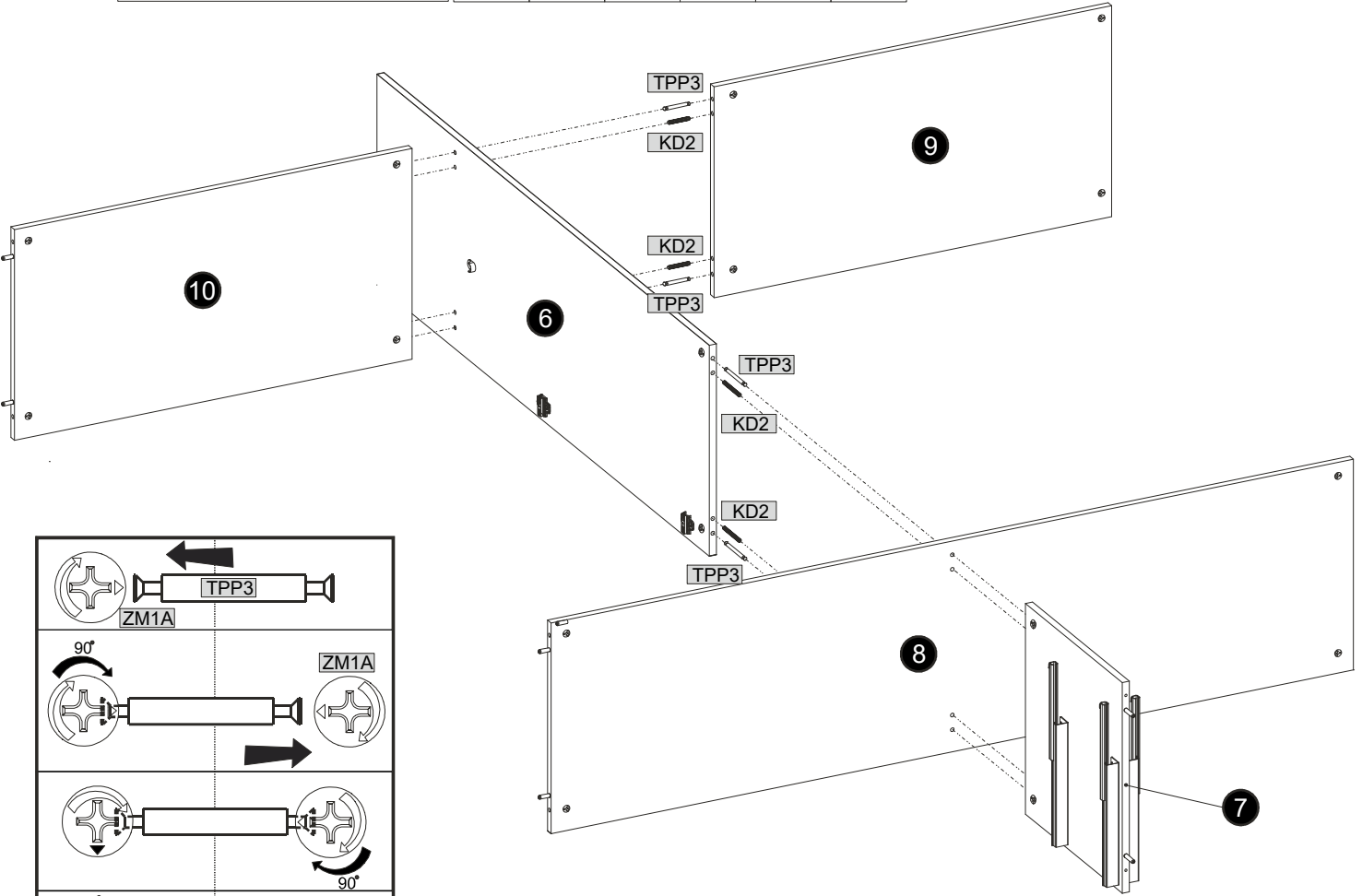
1/5

5/5			
B	H	T	
6	1489	463	16 x1

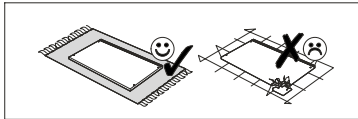


08

	7.8x60	L=86	
KD2	4	TPP3	4
		KK1	1



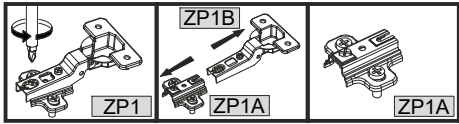
09



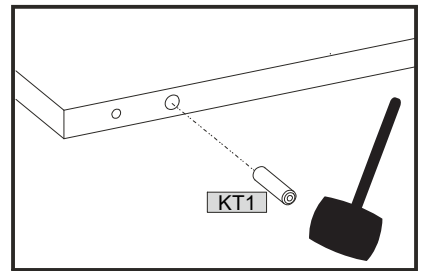
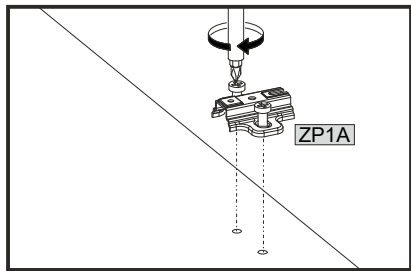
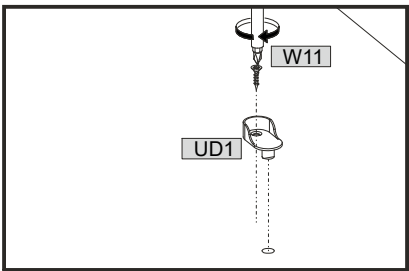
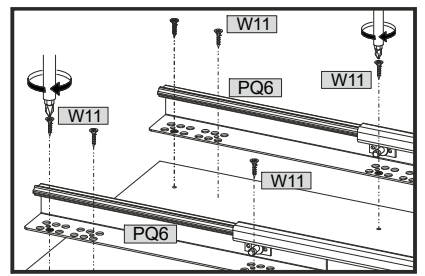
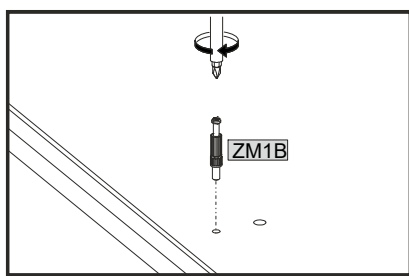
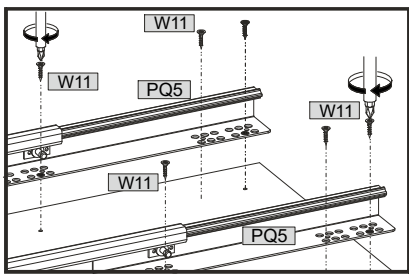
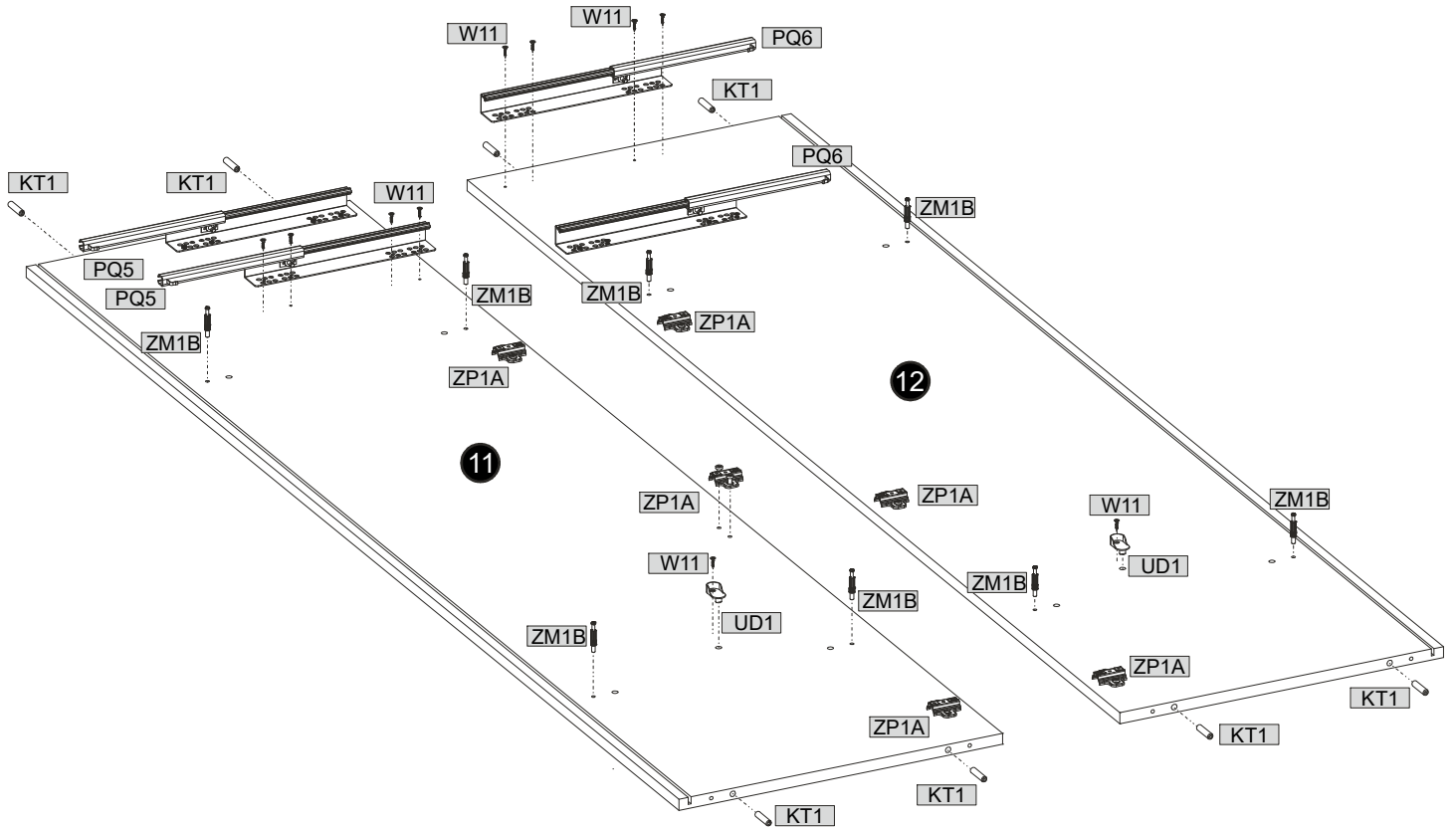
L-400	L-400	3,5x16
PQ5	PQ6	W11
2	2	18



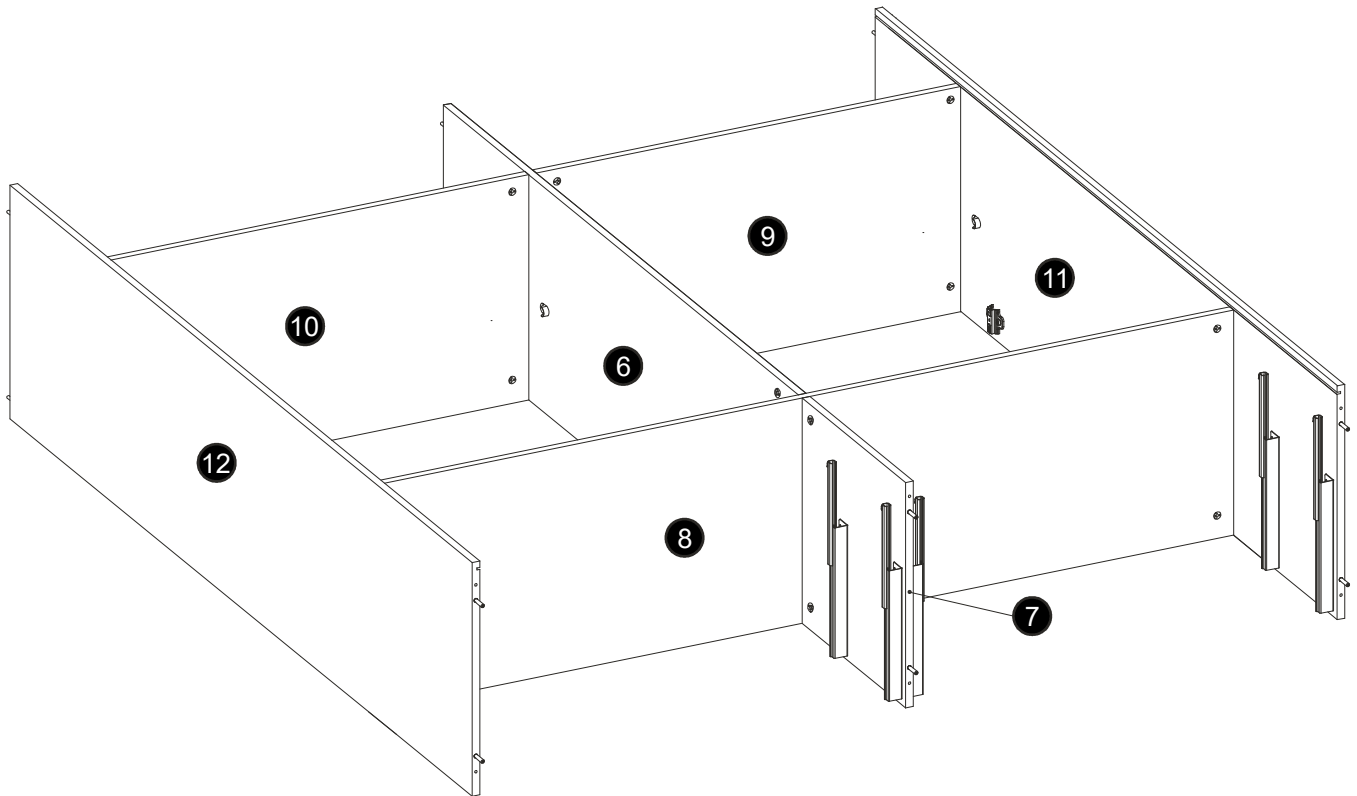
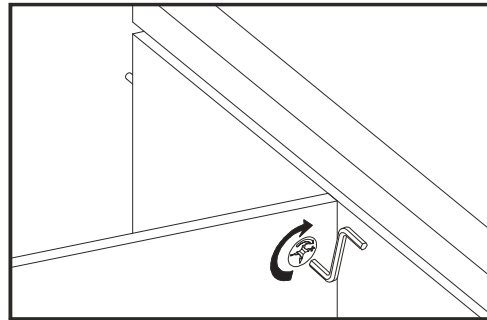
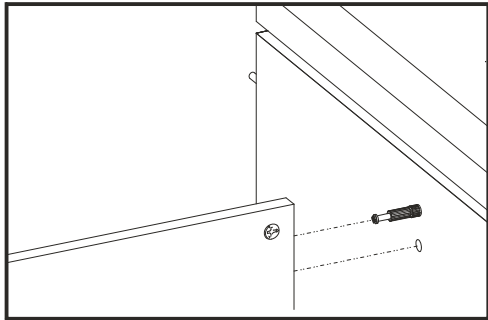
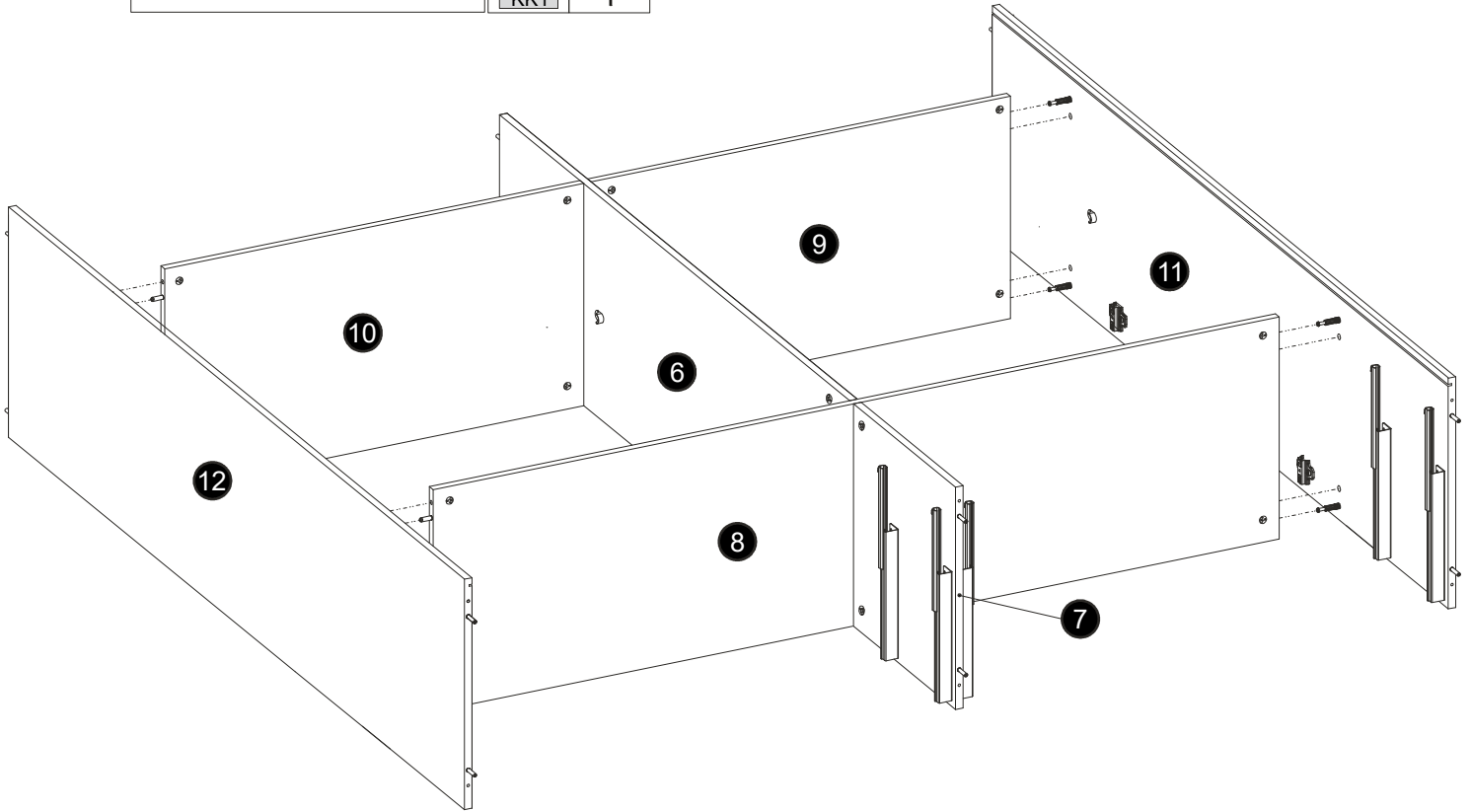
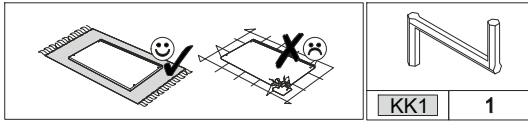
3/5				
	B	H	T	
11	1939	481	16	x1
12	1939	481	16	x1



ZP1	ZM1B	KT1	UD1
6	8	8	2



10

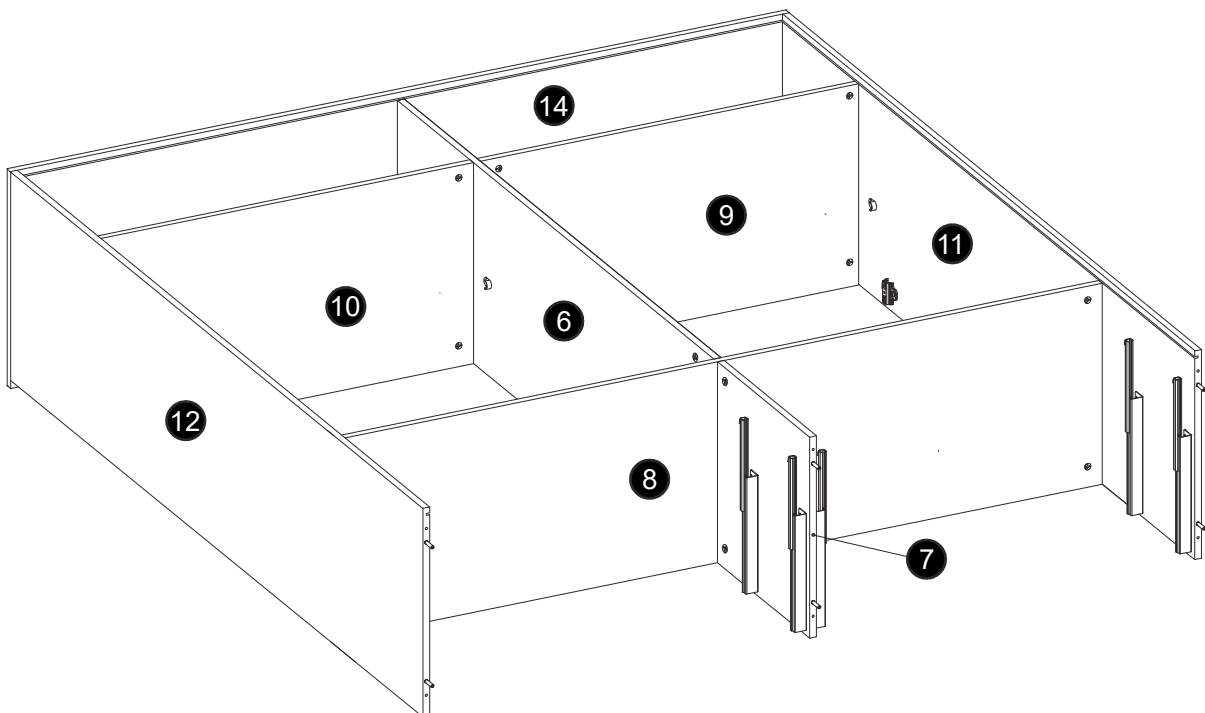
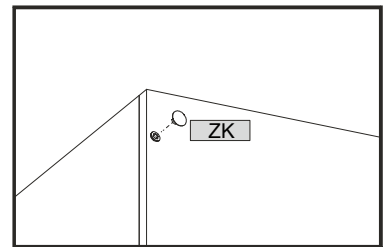
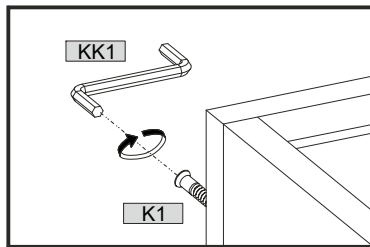
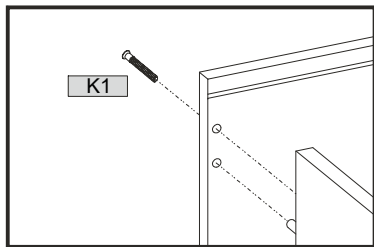
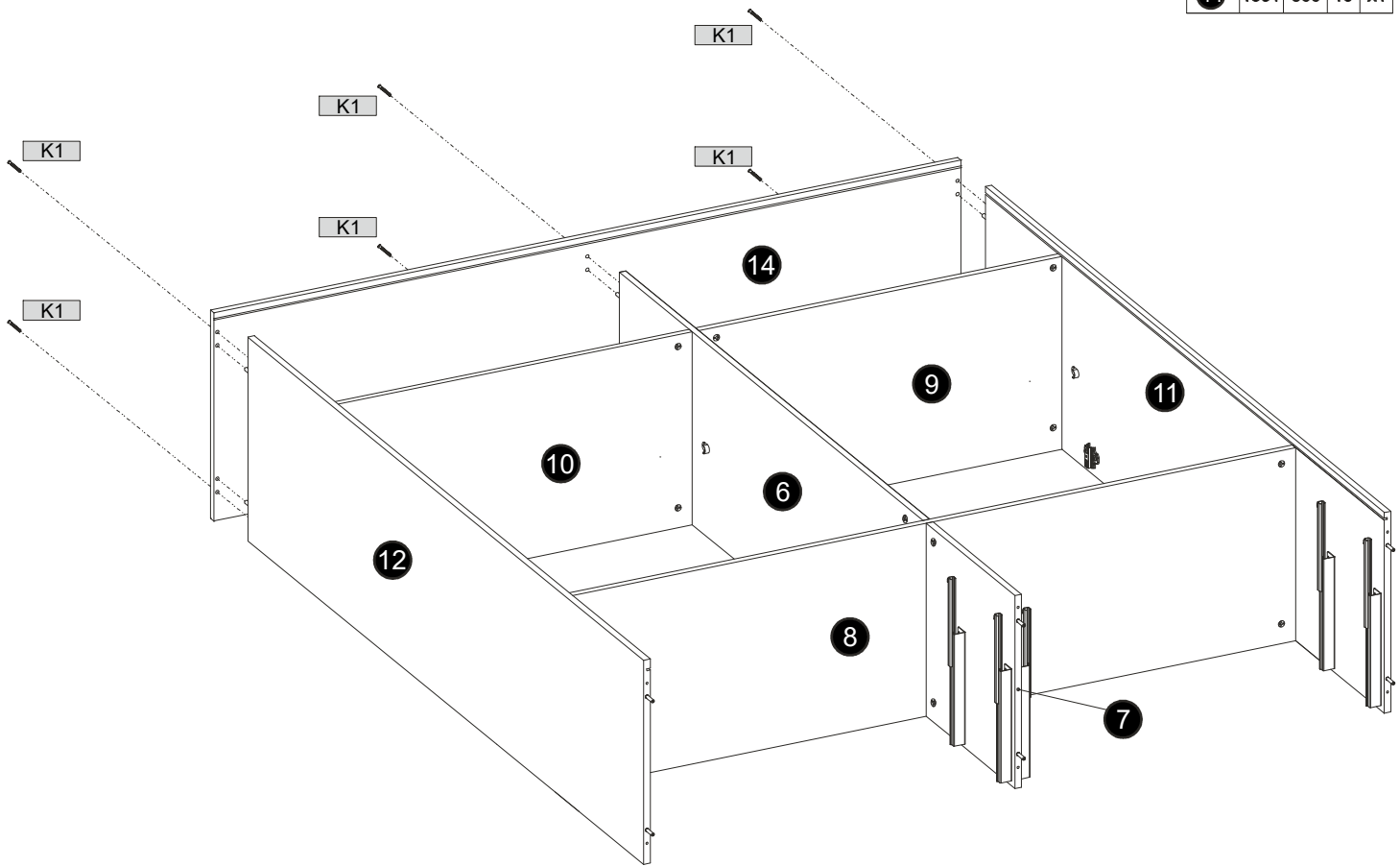


11

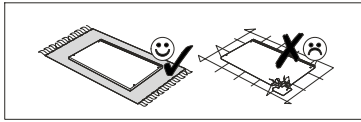
7x50		KK1		ZK	
K1	6	KK1	1	ZK	6

← 1/5

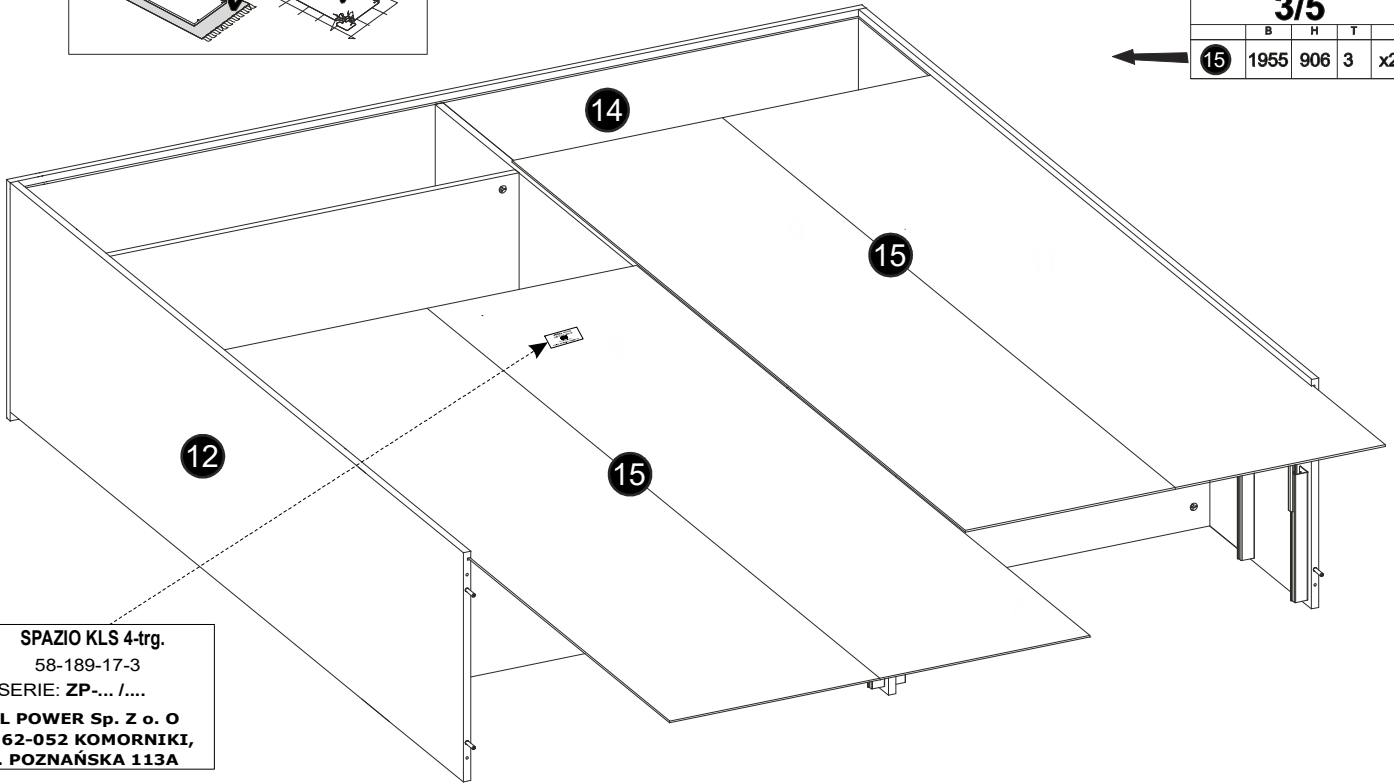
2/5				
	B	H	T	
14	1831	500	16	x1



12

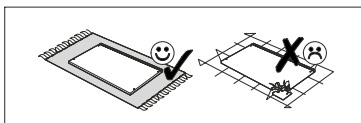


3/5				
	B	H	T	
15	1955	906	3	x2



SPAZIO KLS 4-trg.
58-189-17-3
SERIE: ZP-... /...
POL POWER Sp. Z o. O
PL 62-052 KOMORNIKI,
UL. POZNAŃSKA 113A

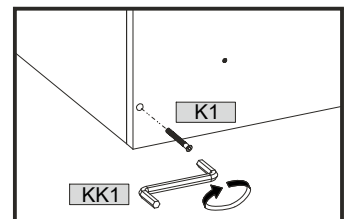
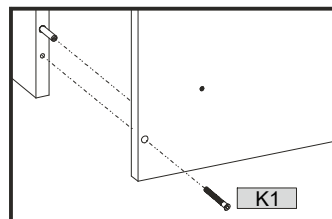
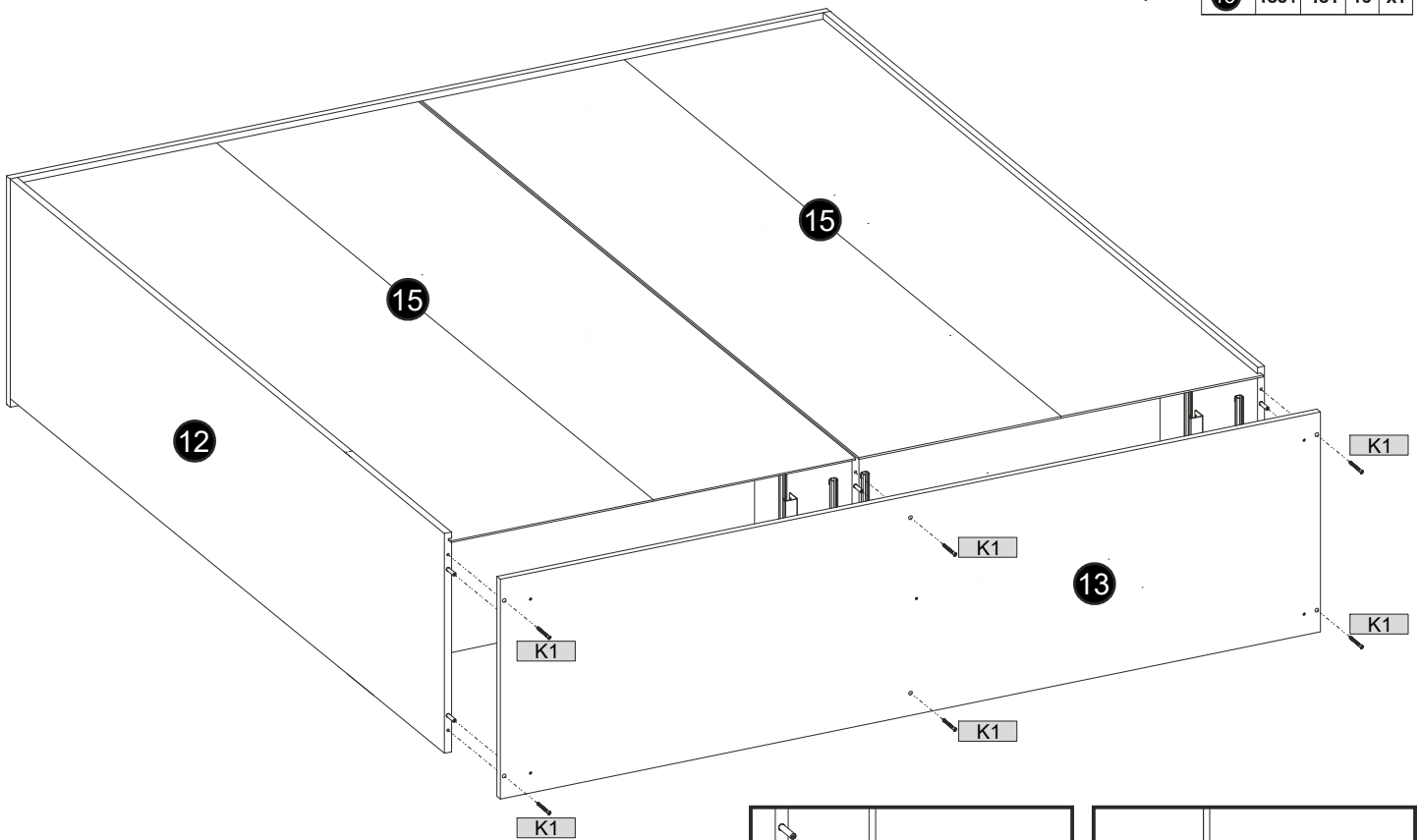
13



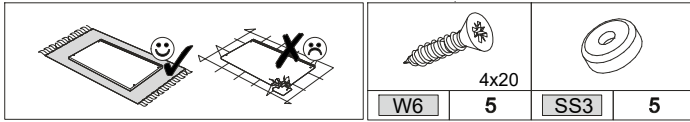
	7x50		
K1	6	KK1	1



2/5				
	B	H	T	
13	1831	481	16	x1



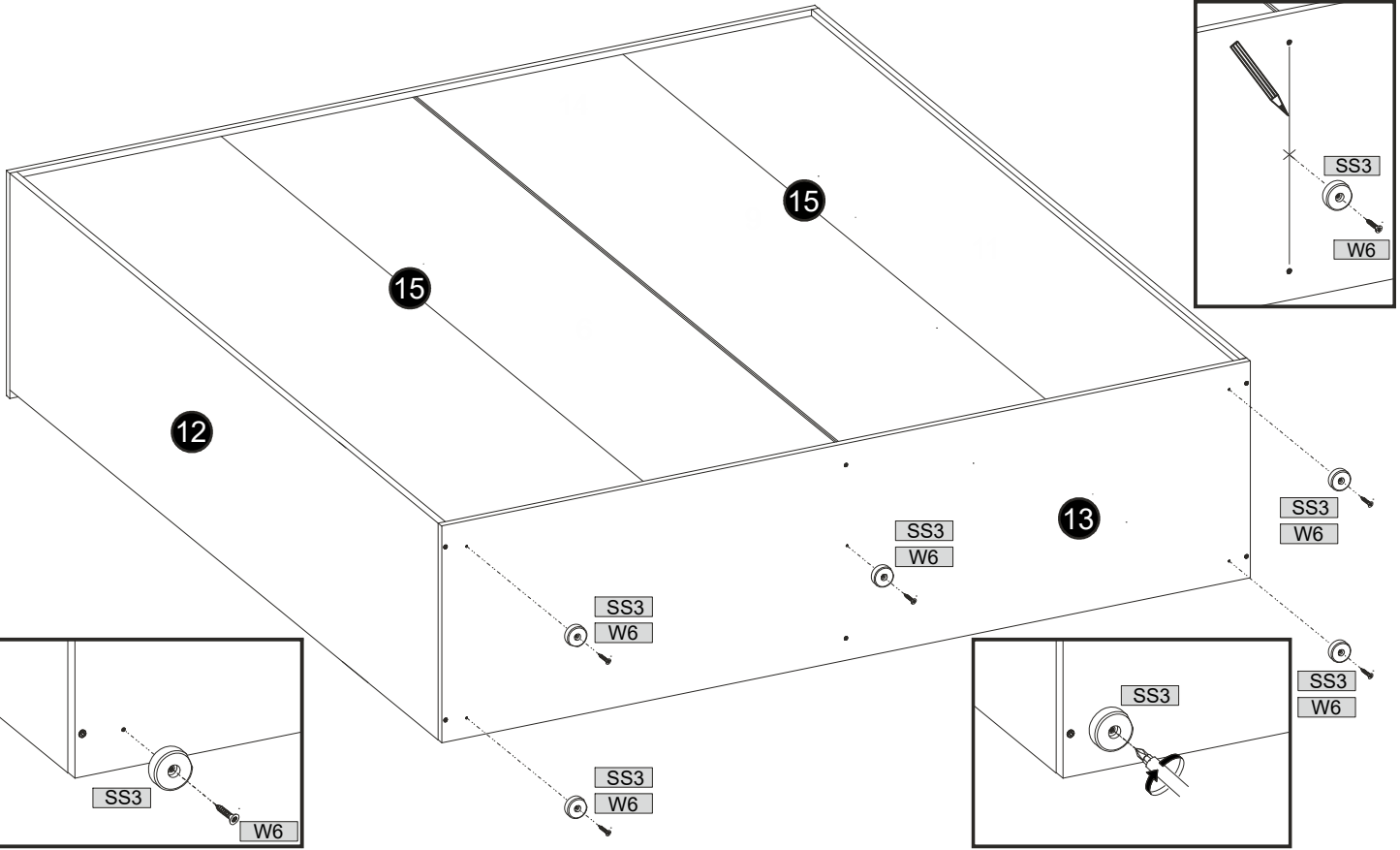
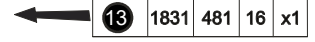
14



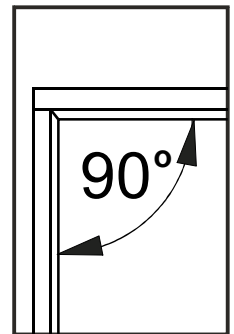
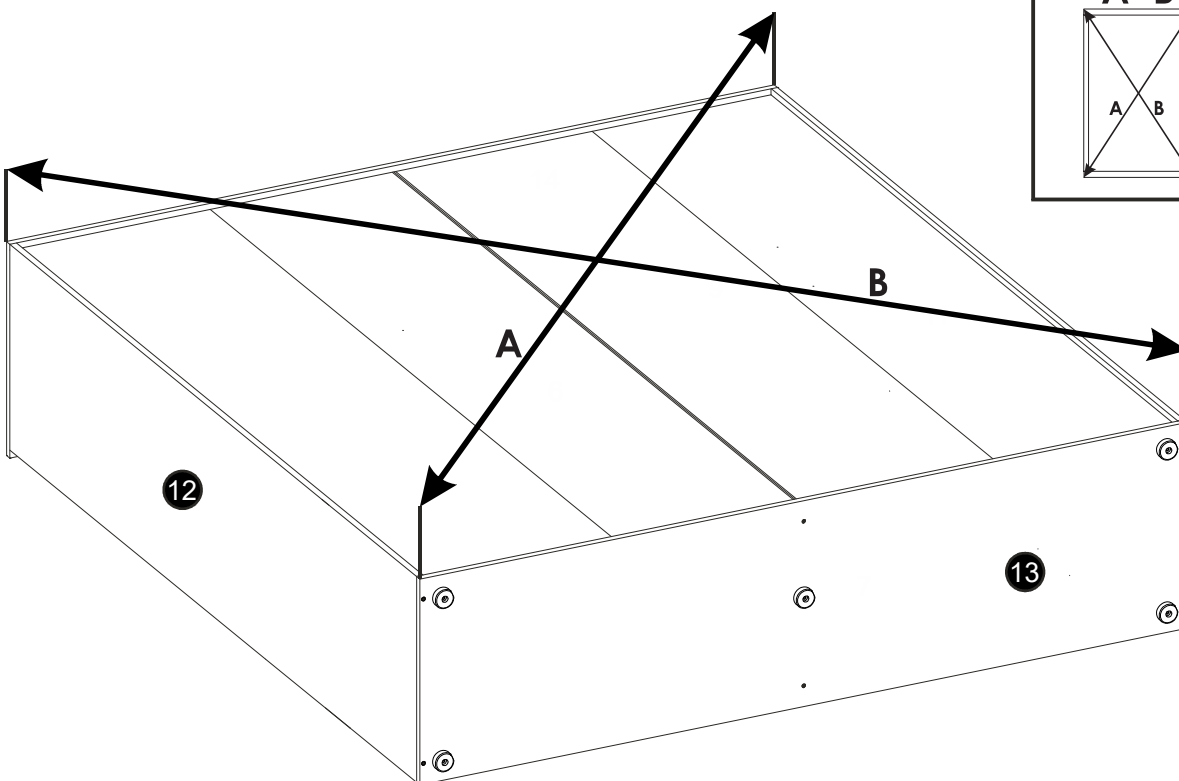
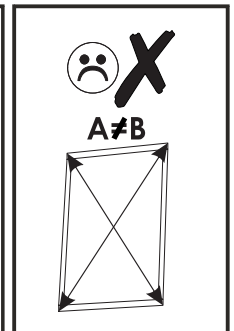
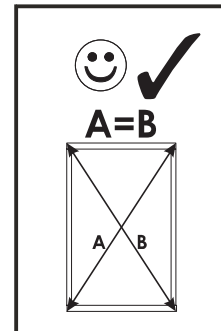
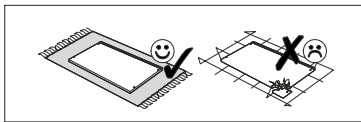
4x20			
W6	5	SS3	5



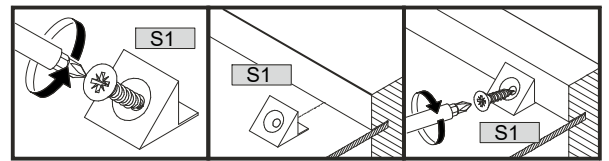
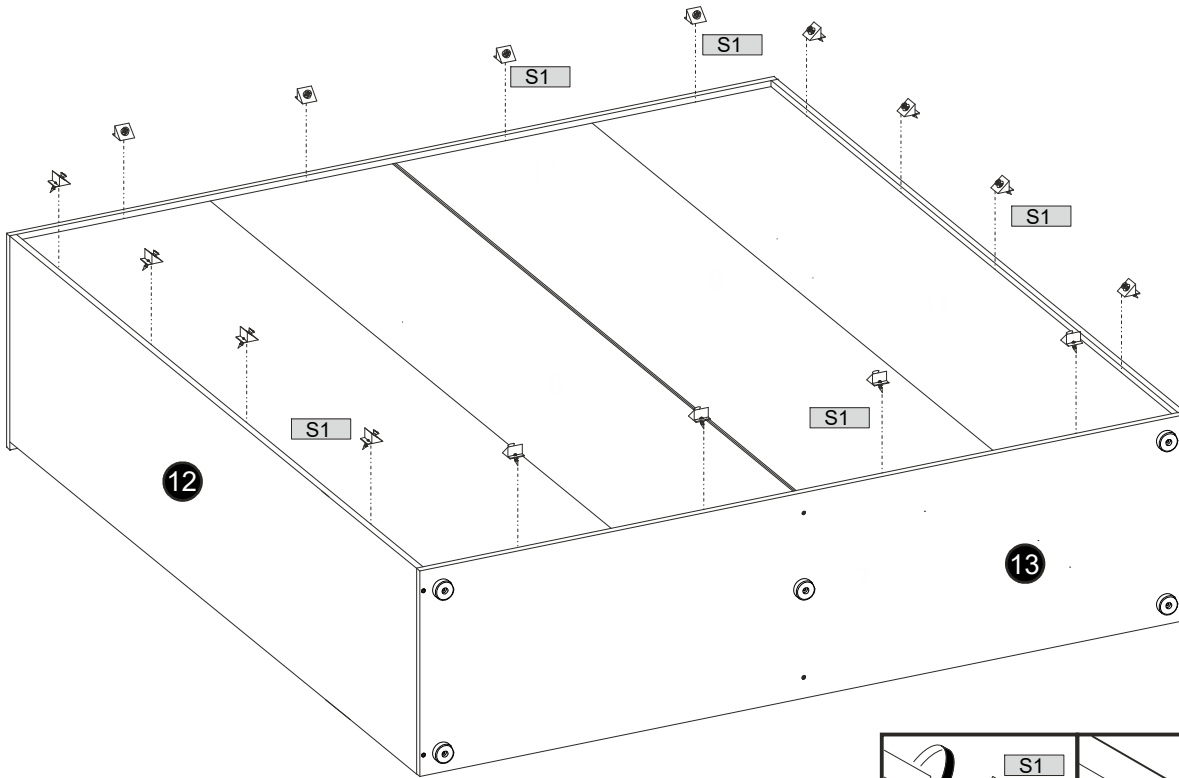
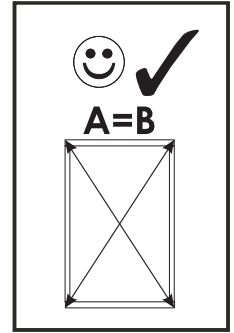
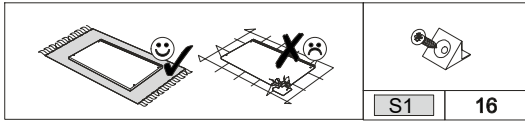
2/5				
	B	H	T	
13	1831	481	16	x1



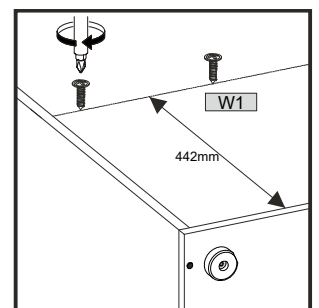
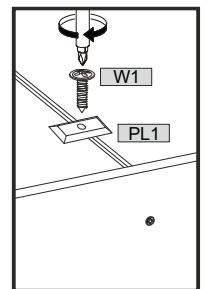
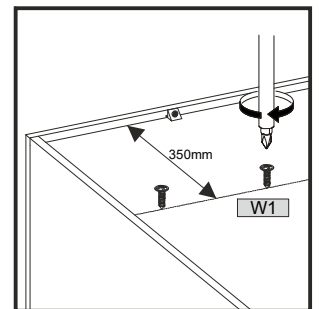
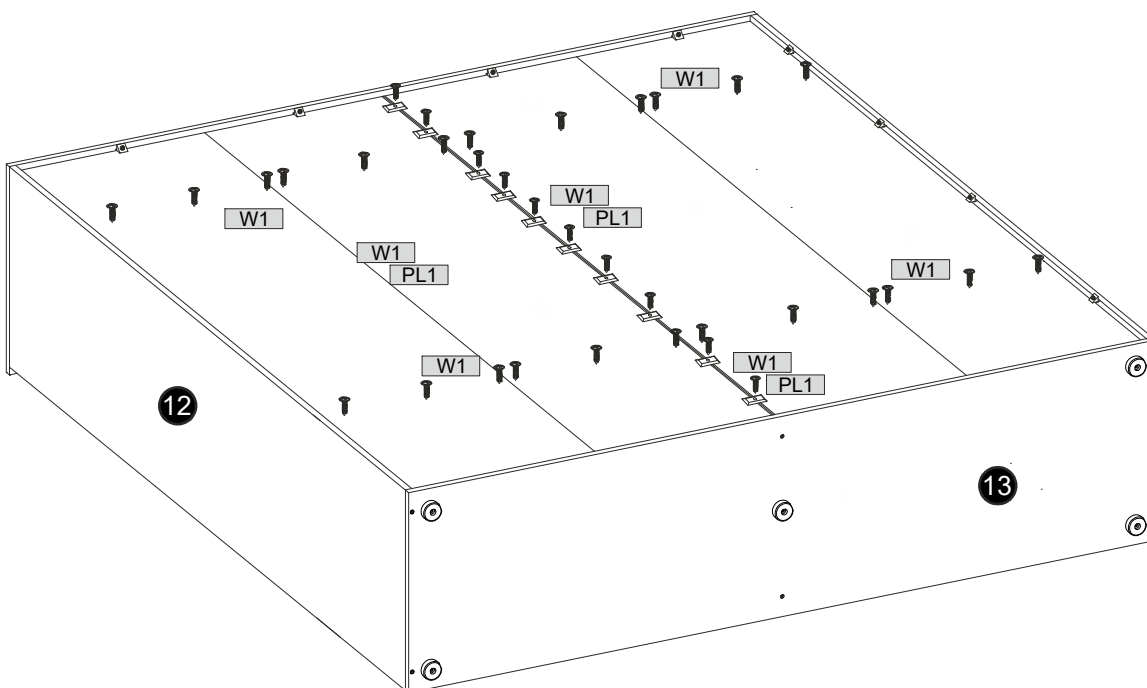
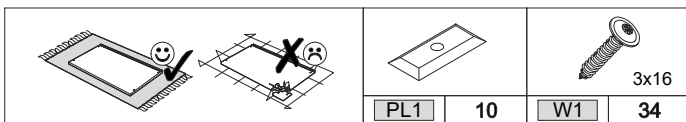
15



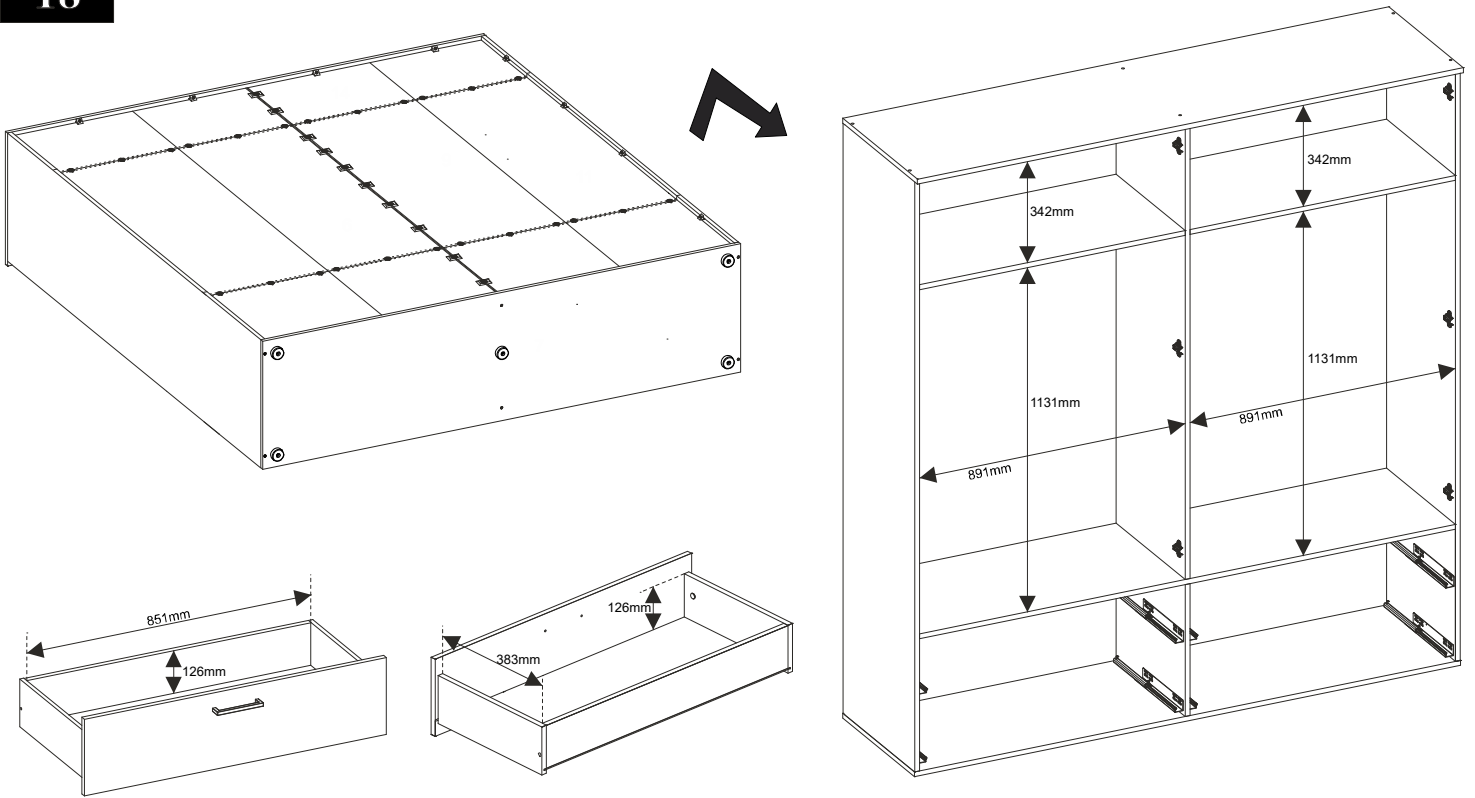
16



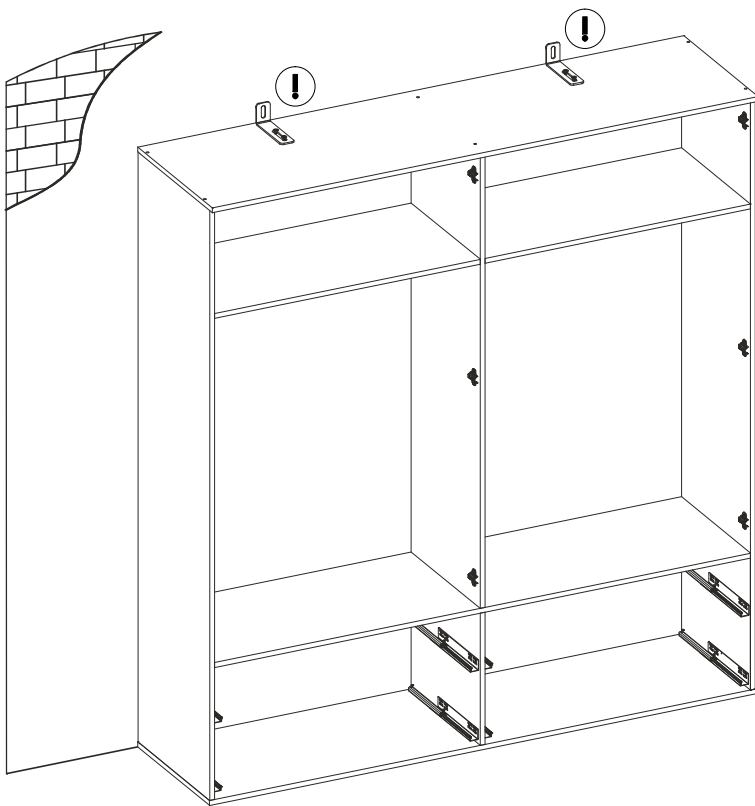
17



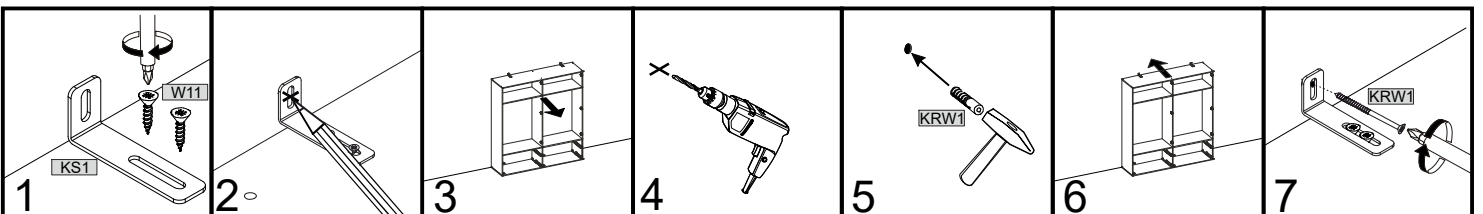
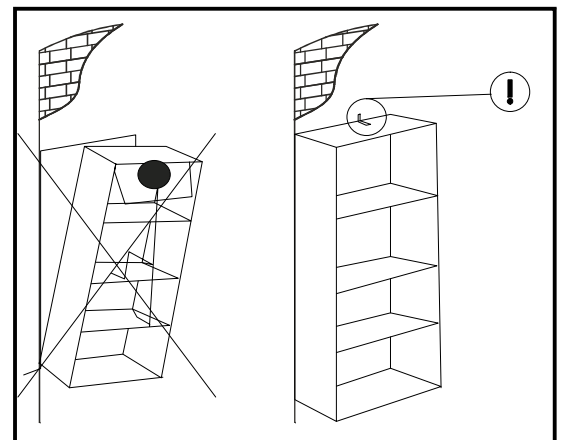
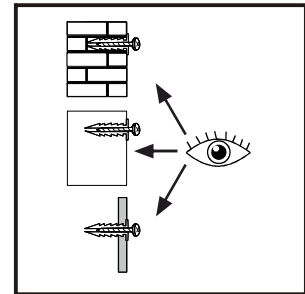
18



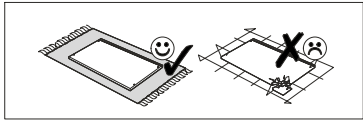
19



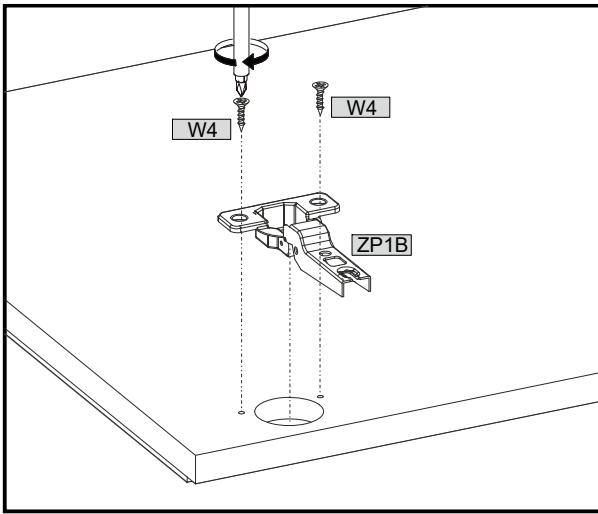
	3,5x16				08x40
W11	4	KS1	2	KRW1	2



20



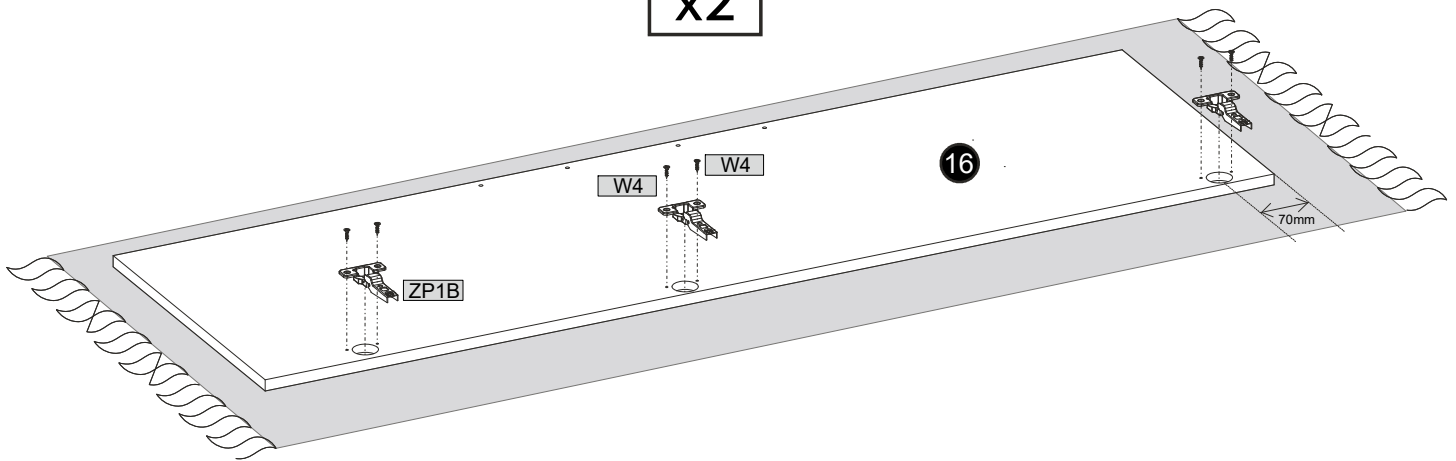
ZP1B	12	W4	4x13	24
------	----	----	------	----



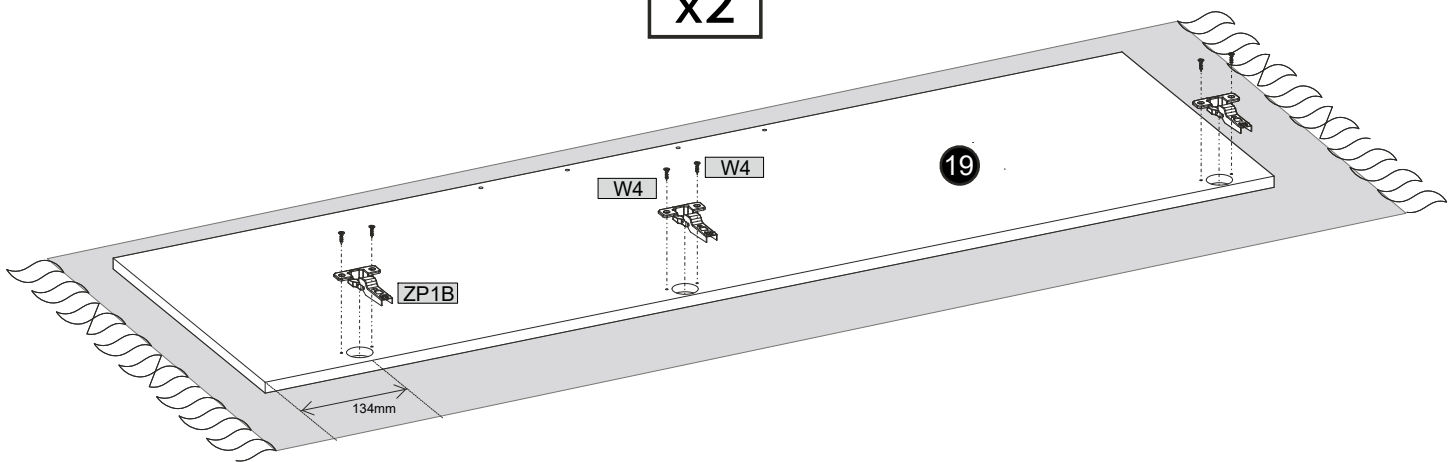
4/5				
	B	H	T	
16	1492	450	16	x1
19	1492	450	16	x1

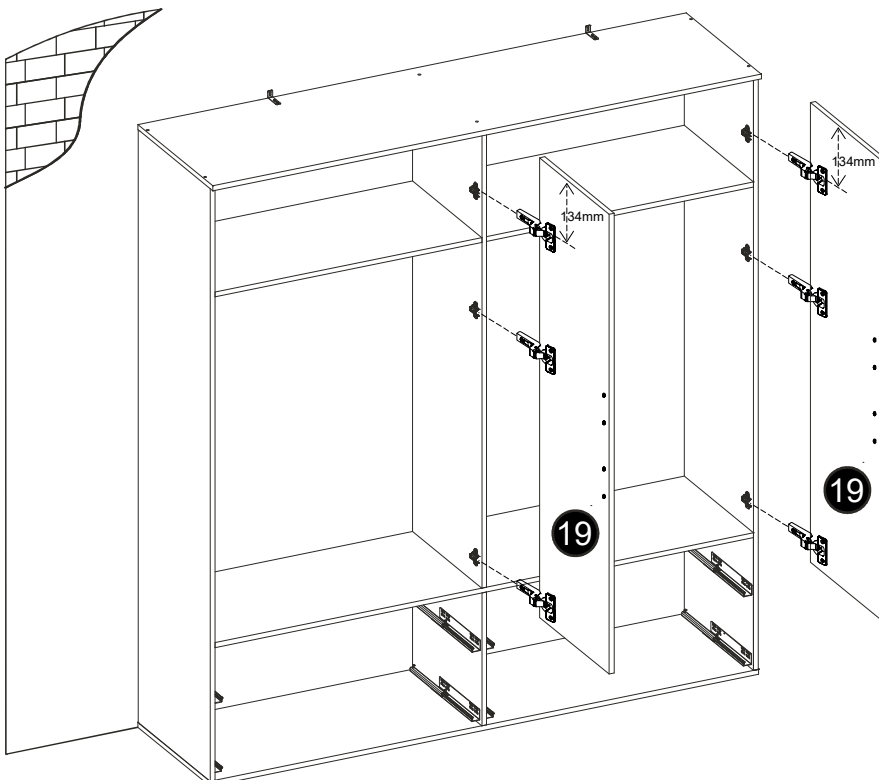
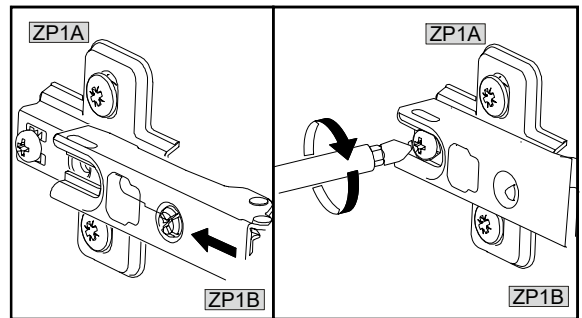
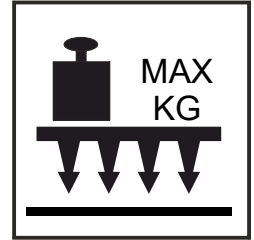
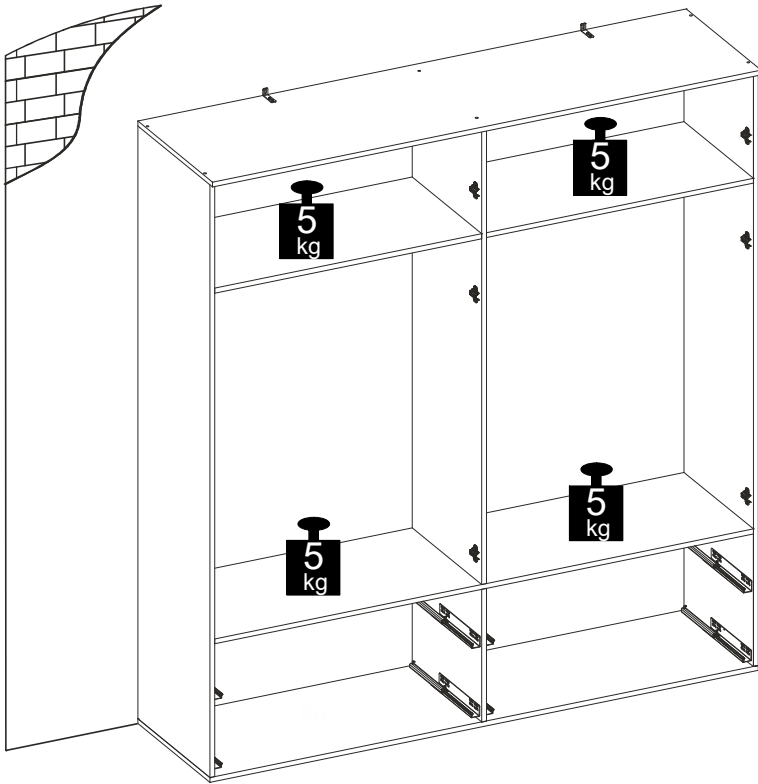
5/5				
	B	H	T	
16	1492	450	16	x1
19	1492	450	16	x1

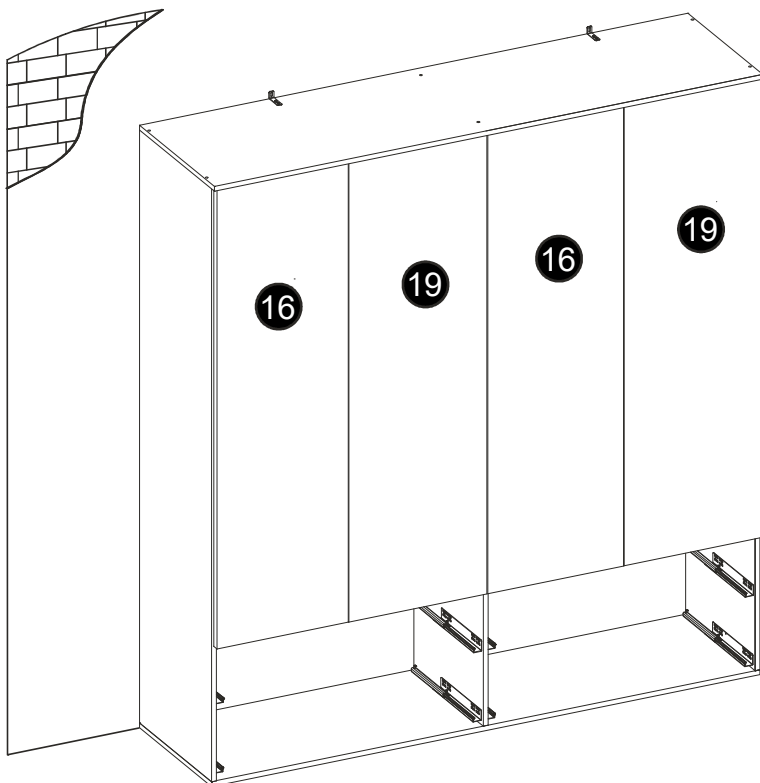
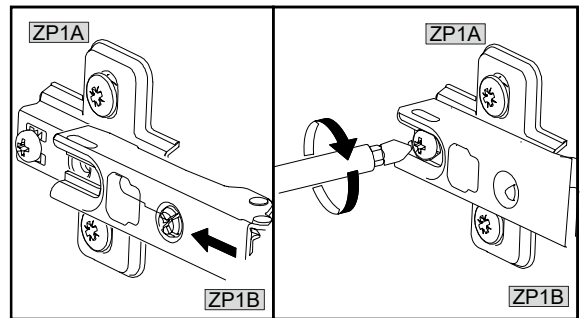
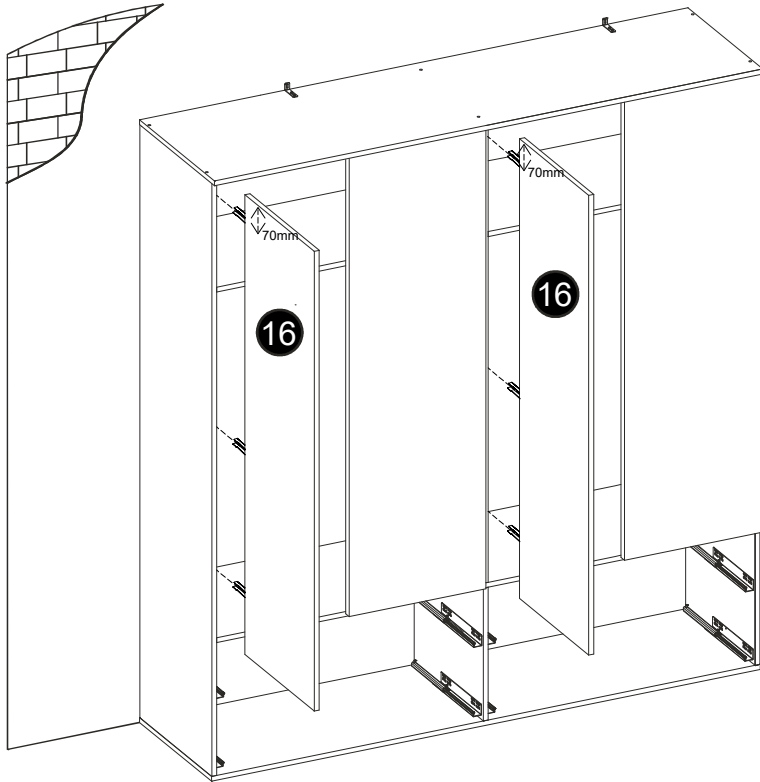
x2




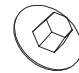
x2

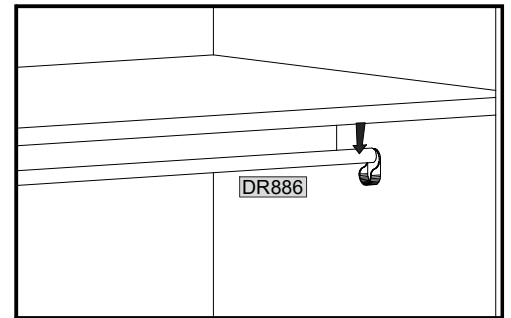
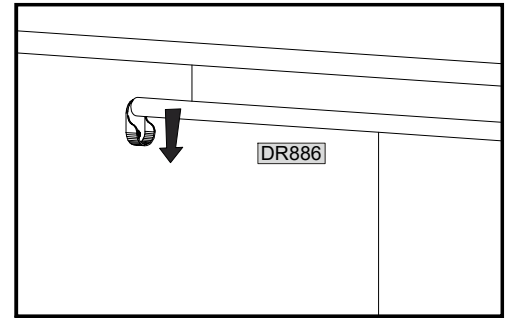
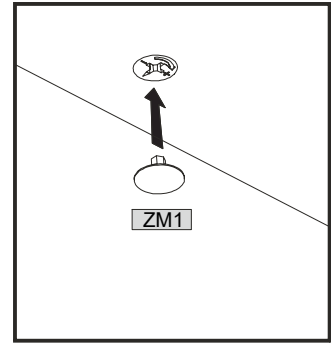
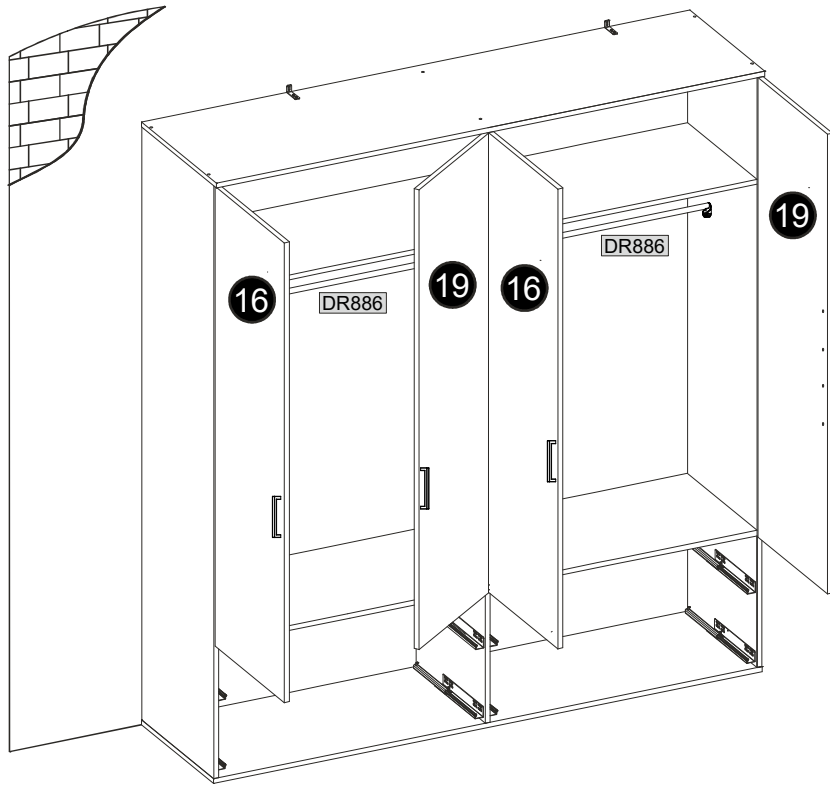




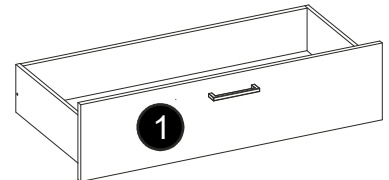
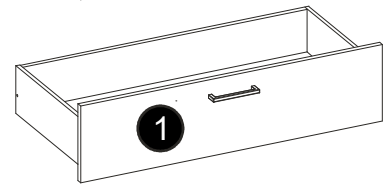
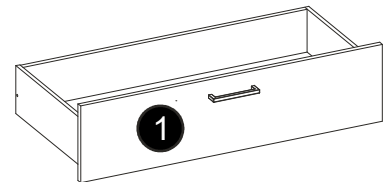
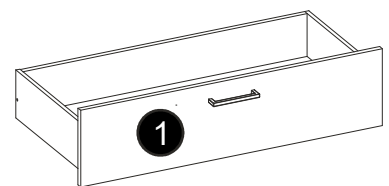
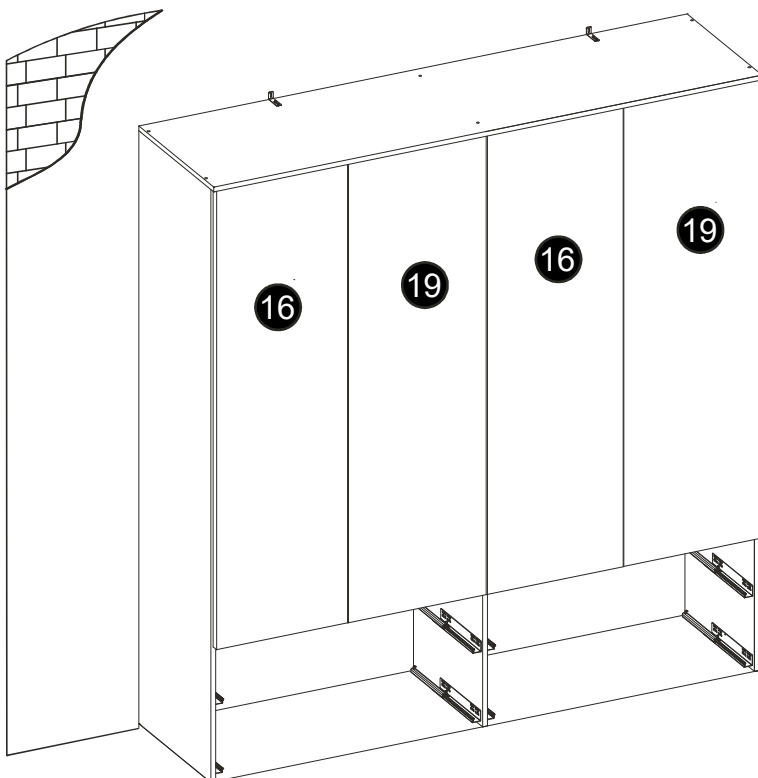


24



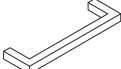
	
DR886 2	ZM1 10

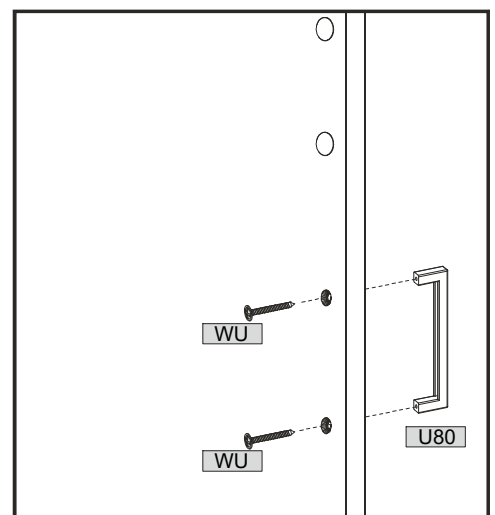
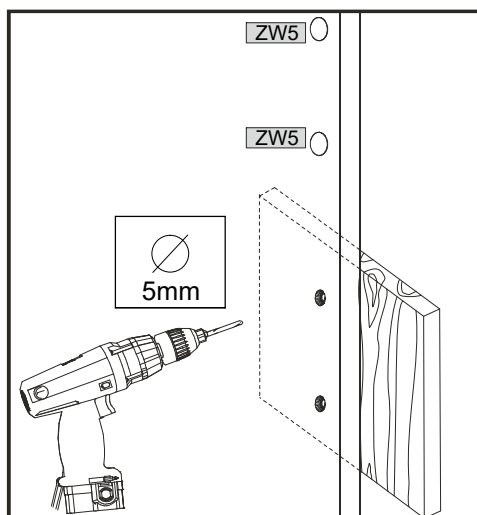
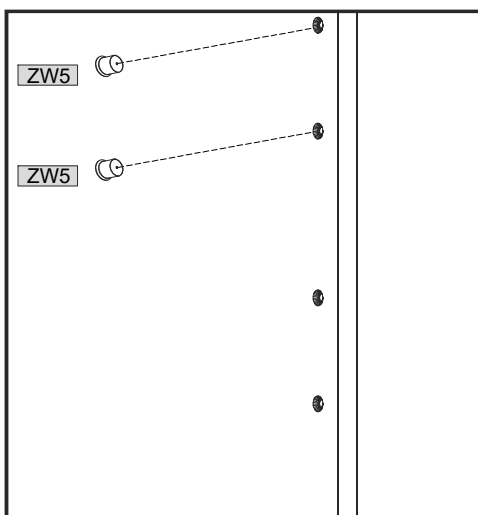
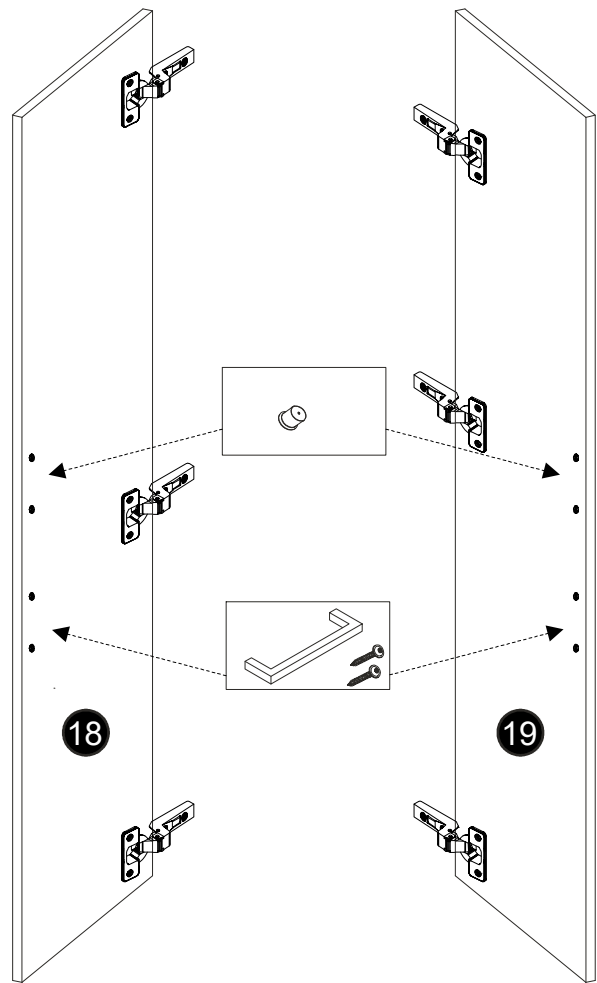
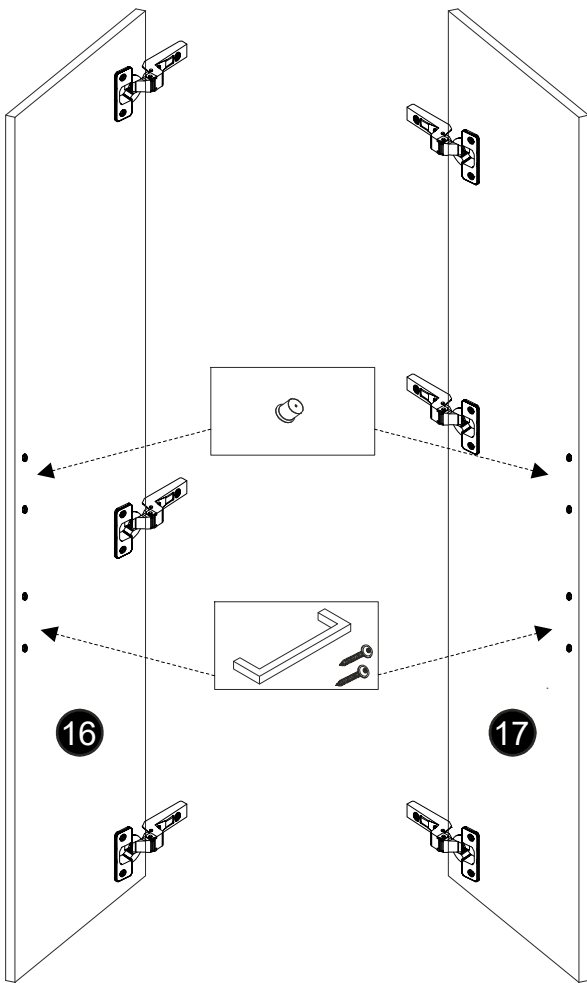
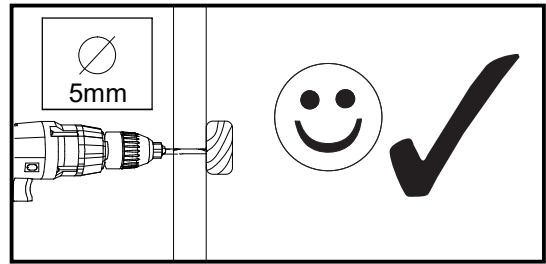
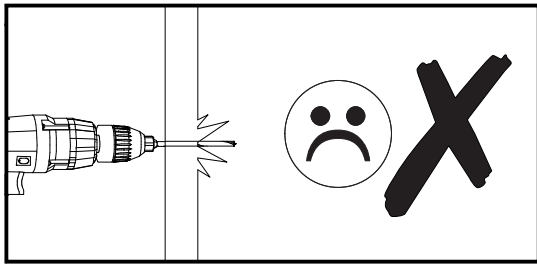


25

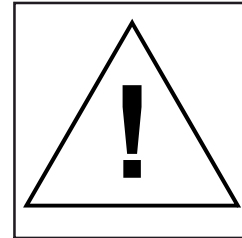
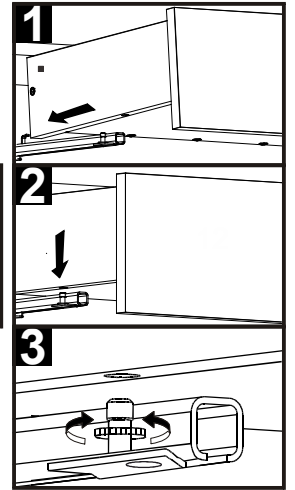
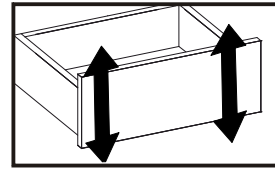
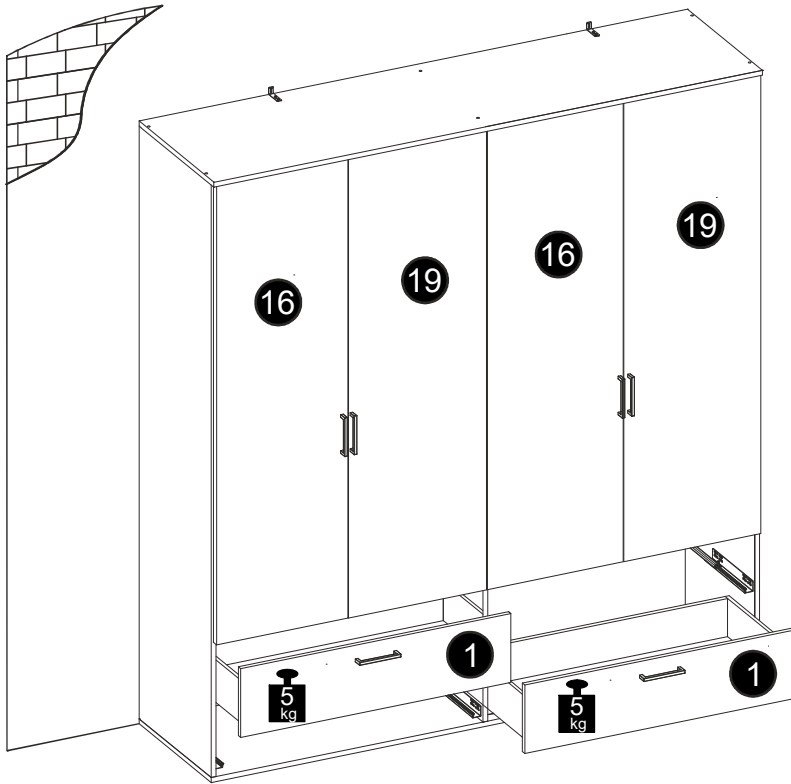


23

					
ZW5	8	WU	8	U80	4



26



27

