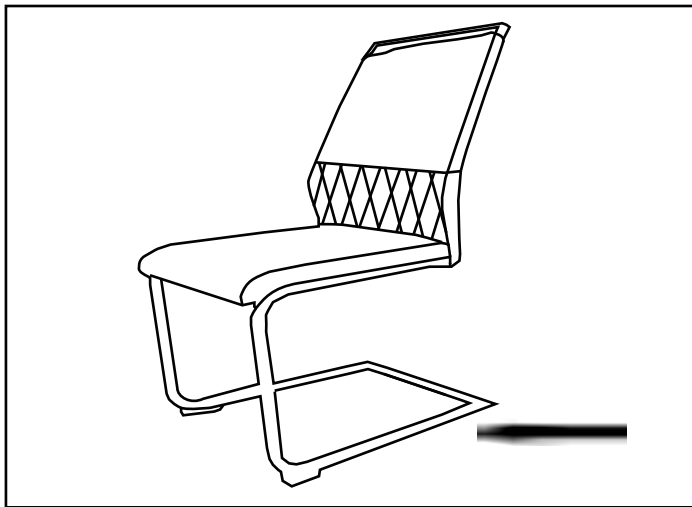
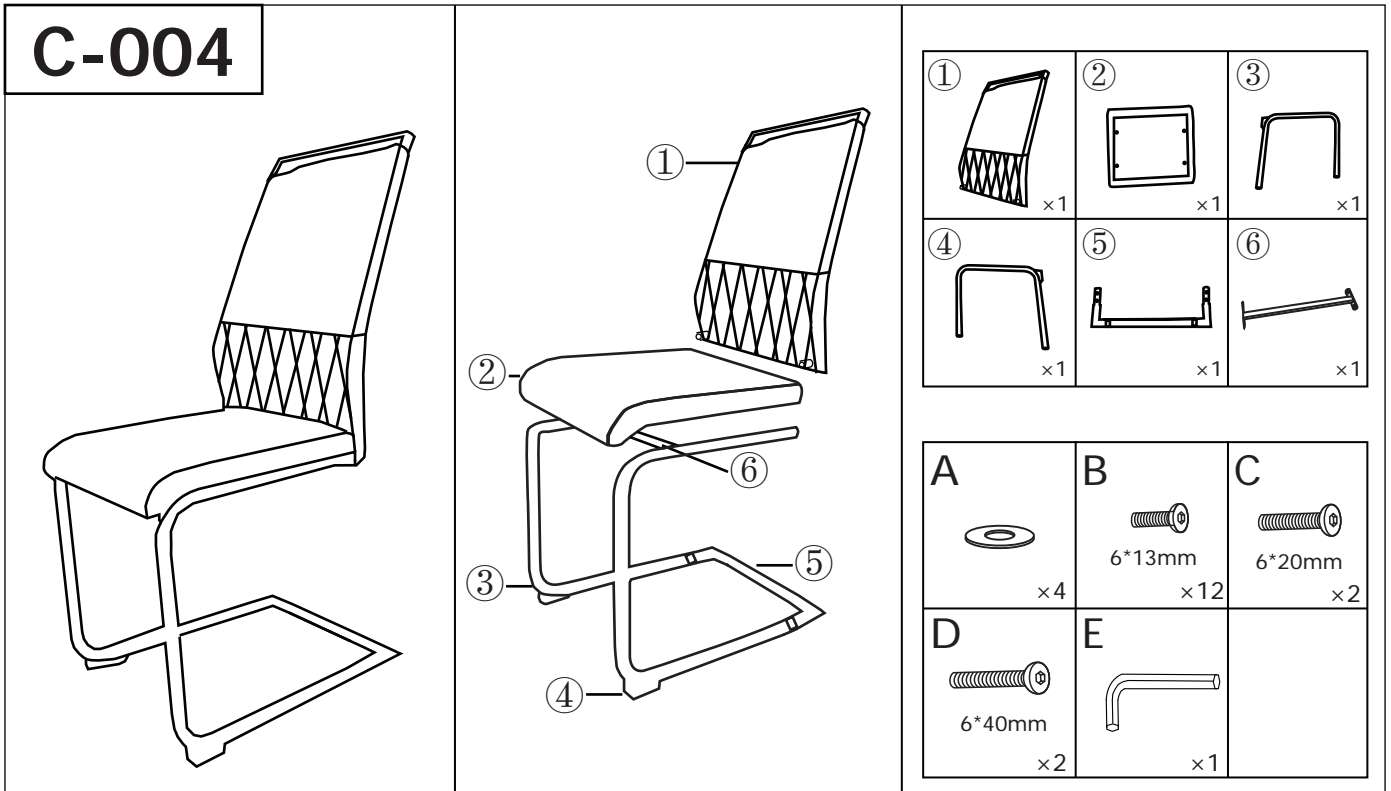
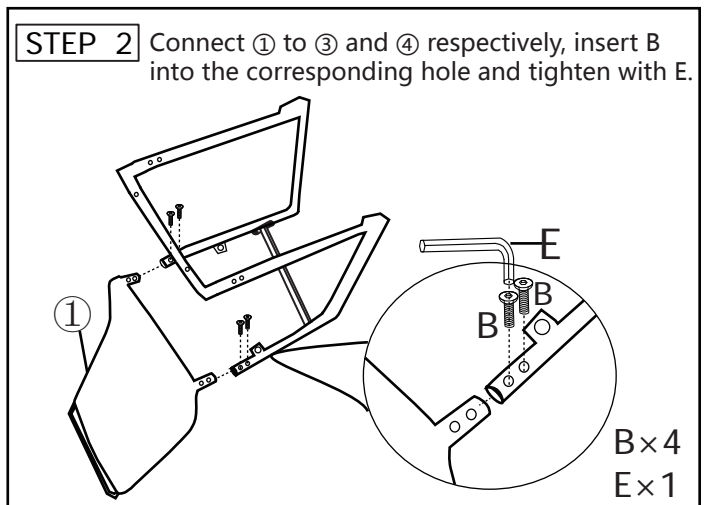
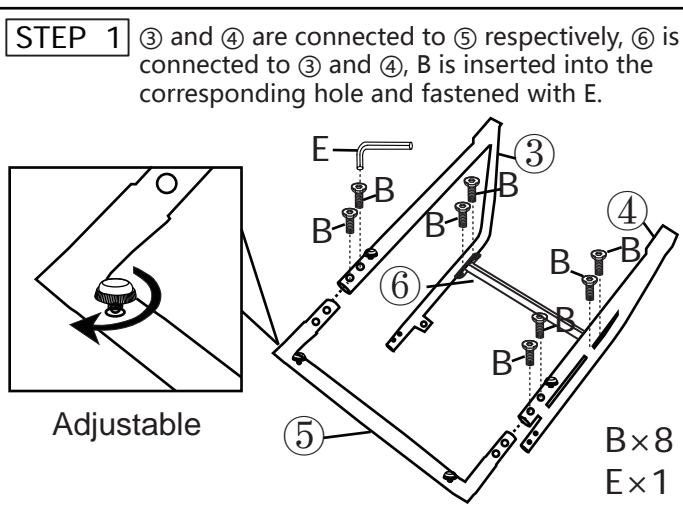


ASSEMBLY INSTRUCTIONS

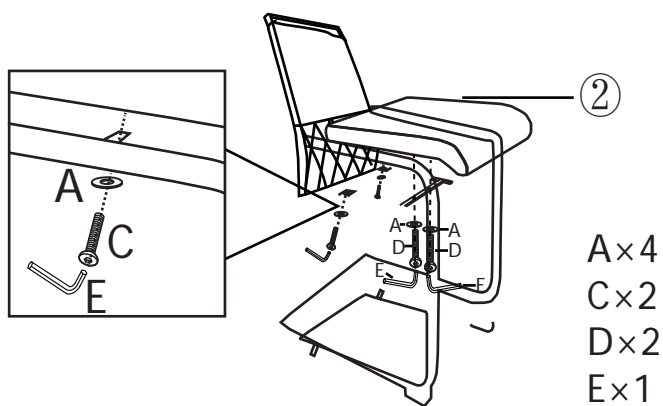
C-004



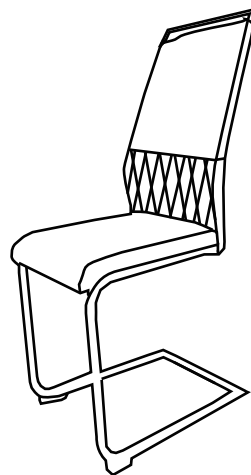
the chair is with adjustable feet
if the chair is not stable
please adjust the feet



STEP 3 Connect ② to ③ and ④ respectively, fit C, A and D, A to the corresponding holes in turn and tighten C and D with E.



STEP 4 Installation complete



Please feel free to contact us if there any damage caused in transit.And do not return the product without communication. That's very important for us. Thank you for your understanding.

