














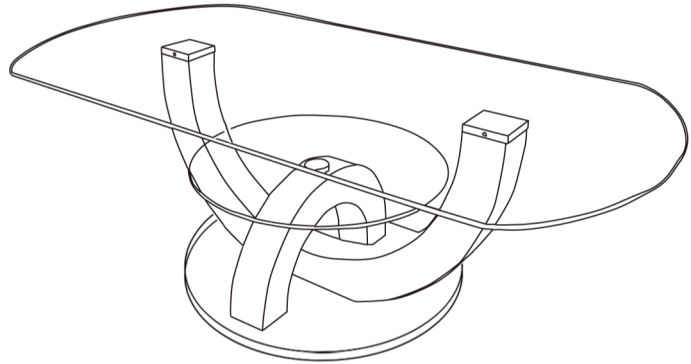


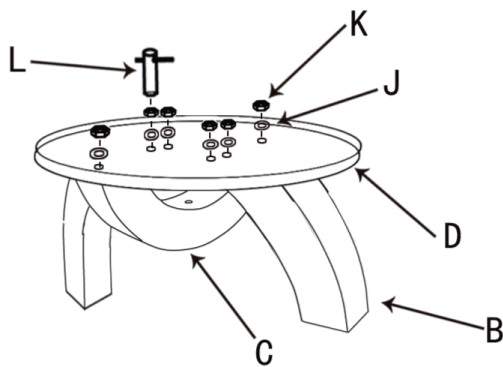
# ASSEMBLY INSTRUCTION

Item NO: Boston

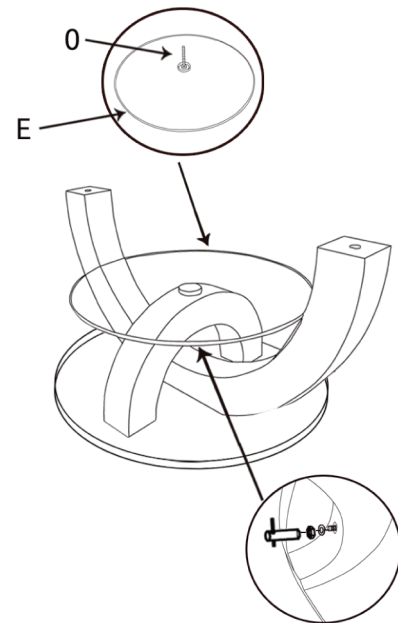
HARDWARE LIST			
NO.	PART	DESCRIPTION	Q'TY
A		Glass Top	1
B		Frame 1	1
C		Frame 2	1
D		Base Board	1
E		Glass Shelf	1
F		Allen Key	1
G		Long Allen Key	1
H		Metal Plate	2
I		Small Nail	4
J		Glasket	7
K		Screw Nut	7
L		Hexagon Spanner	1
M		Long Screw	6
N		Short Screw	2
O		Short Rod	1



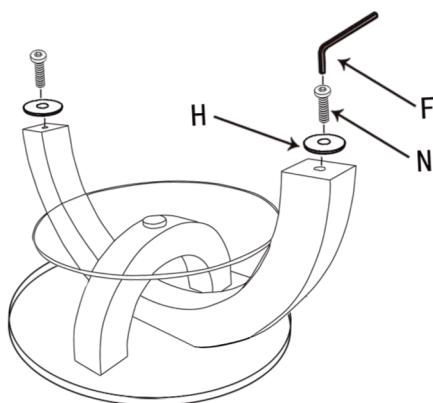
step 1



step 2



step 3



step 4

