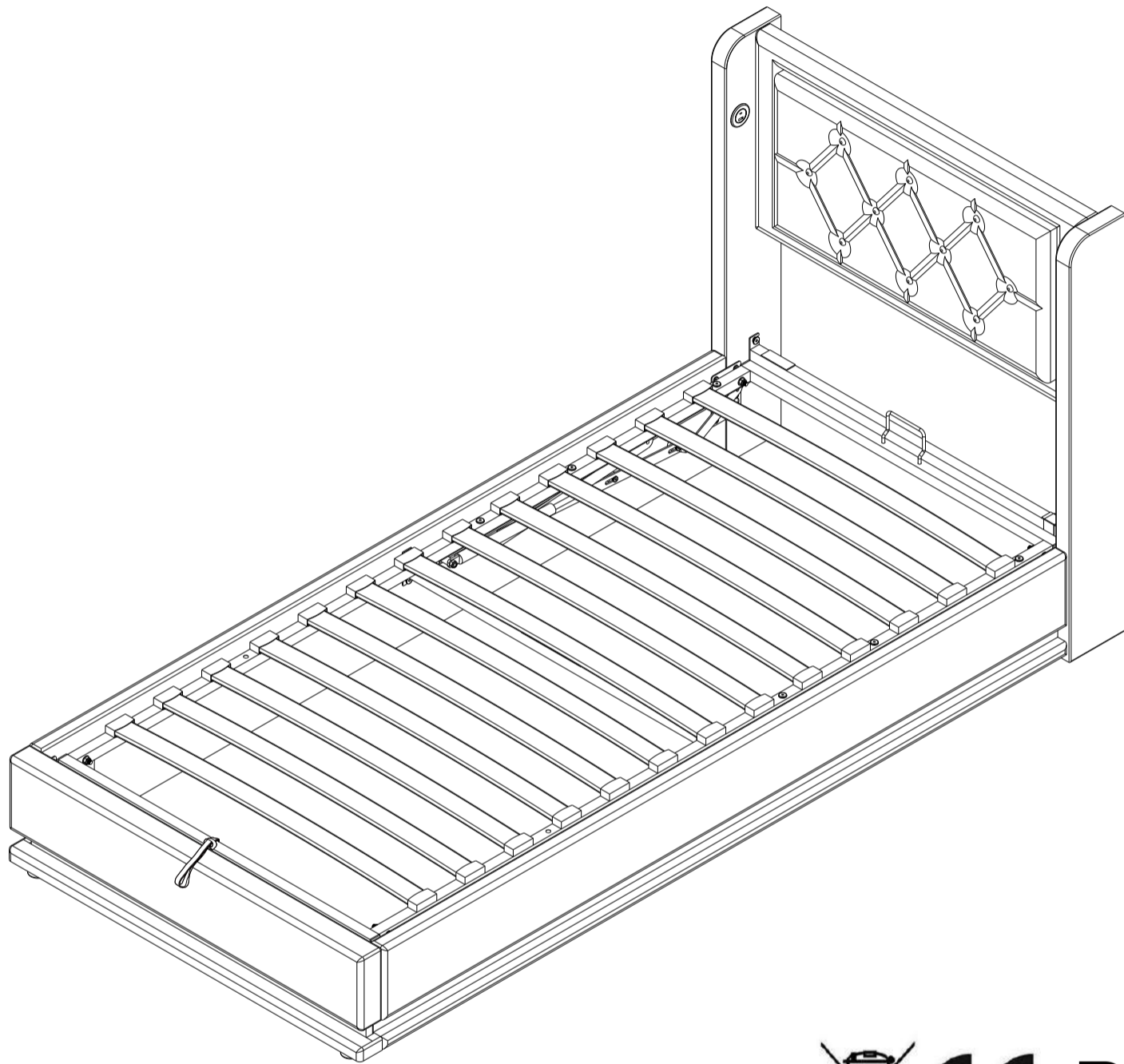


Montageanleitung | Instructions de montage Assembly Instructions | Instrucciones de montaje

SKU NUMBER: WF531493/WF531494



GB This set comes in 2 boxes. If you do not receive a full set of 2 boxes, please contact our customer service.

DE Dieses Set wird in 2 Schachteln geliefert. Wenn Sie nicht ein komplettes Set von 2 Boxen erhalten, kontaktieren Sie bitte unseren Kundenservice.

FR Ce set est livré en 2 boîtes. Si vous ne recevez pas un jeu complet de 2 boîtes, veuillez contacter notre service clientèle.

English

IMPORTANT FOR GAS LIFT BEDS&MAINTAINCE

- Please place the mattress on top of the bed frame.
- Please do not pull on the strap handles.
- Please press heavily to release the compressed gas.
- Periodically check all screw & fixings to ensure they are secure.
- When moving your product, carefully lift into place.
- Wipe clean with a slightly damp cloth- please do not use abrasive chemicals or bleach.
- Do NOT allow children to operate the lift mechanism.
- Do NOT allow children near the lift base when operating the mechanism.
- Do NOT stand inside the bed or the internal storage base.
- Do NOT overload the internal storage base.
- DO NOT jump on the product or any of its parts.

Deutsch

WICHTIG FÜR GASLIFT-BETTEN&WARTUNG

- Bitte legen Sie die Matratze oben auf den Bettrahmen.
- Bitte ziehen Sie nicht an den Gurtgriffen.
- Bitte drücken Sie kräftig, um das komprimierte Gas freizusetzen.
- Überprüfen Sie regelmäßig alle Schrauben und Befestigungen, um sicherzustellen, dass sie sicher sind.
- Wenn Sie Ihr Produkt bewegen, heben Sie es vorsichtig an seinen Platz.
- Mit einem leicht feuchten Tuch abwischen - bitte keine scheuernden Chemikalien oder Bleichmittel verwenden.
- Erlauben Sie Kindern NICHT, den Hebemechanismus zu bedienen.
- Lassen Sie Kinder NICHT in die Nähe des Liftsockels, wenn Sie den Mechanismus bedienen.
- Stellen Sie sich NICHT in das Bett oder in die Innenablage.
- Überlasten Sie den internen Liftsockel NICHT.
- Springen Sie NICHT auf das Produkt oder eines seiner Teile.

Français

IMPORTANT POUR LES LITS À RELEVAGE DE GAZ&MAINTENANCE

- Veuillez placer le matelas sur le dessus du cadre de lit.
- Ne tirez pas sur les poignées de la sangle.
- Appuyez fortement pour libérer le gaz comprimé.
- Vérifiez régulièrement que toutes les vis et fixations sont bien en place.
- Lorsque vous déplacez votre produit, soulevez-le avec précaution pour le mettre en place.
- Nettoyez avec un chiffon légèrement humide - n'utilisez pas de produits chimiques abrasifs ou d'eau de Javel.
- Ne laissez pas les enfants utiliser le mécanisme de levage.
- Ne laissez pas les enfants s'approcher de la base de levage lorsqu'ils actionnent le mécanisme.
- Ne vous tenez PAS à l'intérieur du lit ou de la base de stockage interne.
- Ne surchargez pas la base de stockage interne.
- Ne pas sauter sur le produit ou l'une de ses parties.

Italiano

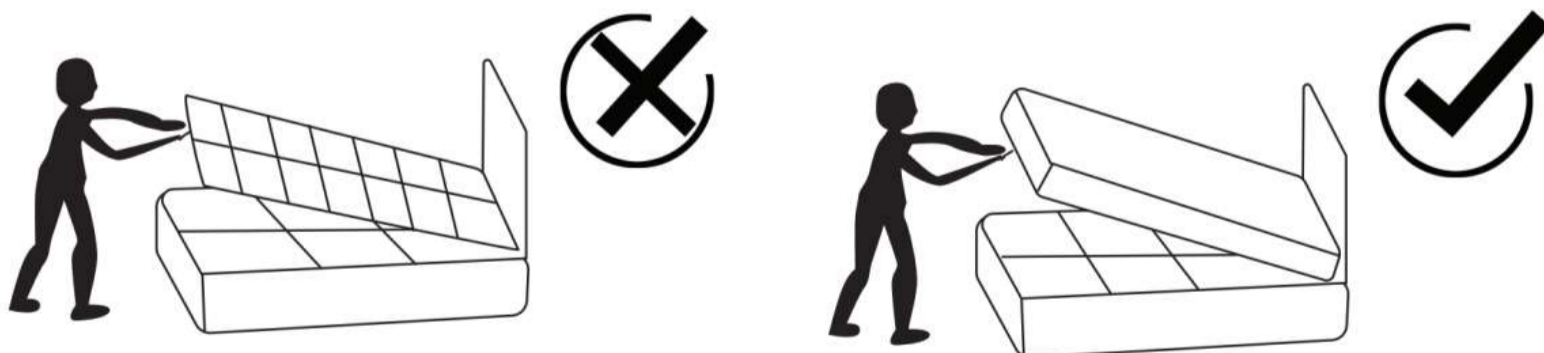
IMPORTANTE PER I LETTI CON SOLLEVAMENTO A GAS E LA MANUTENZIONE

- Posizionare il materasso sopra la struttura del letto.
- Non tirare le maniglie della cinghia.
- Premere con forza per rilasciare il gas compresso.
- Controllare periodicamente tutte le viti e i fissaggi per assicurarsi che siano saldi.
- Quando si sposta il prodotto, sollevarlo con cautela.
- Pulire con un panno leggermente umido, senza usare prodotti chimici abrasivi o candeggina.
- NON permettere ai bambini di azionare il meccanismo di sollevamento.
- NON permettere ai bambini di avvicinarsi alla base di sollevamento quando si aziona il meccanismo.
- NON sostare all'interno del letto o della base di contenimento interna.
- NON sovraccaricare la base di contenimento interna.
- NON saltare sul prodotto o sulle sue parti.

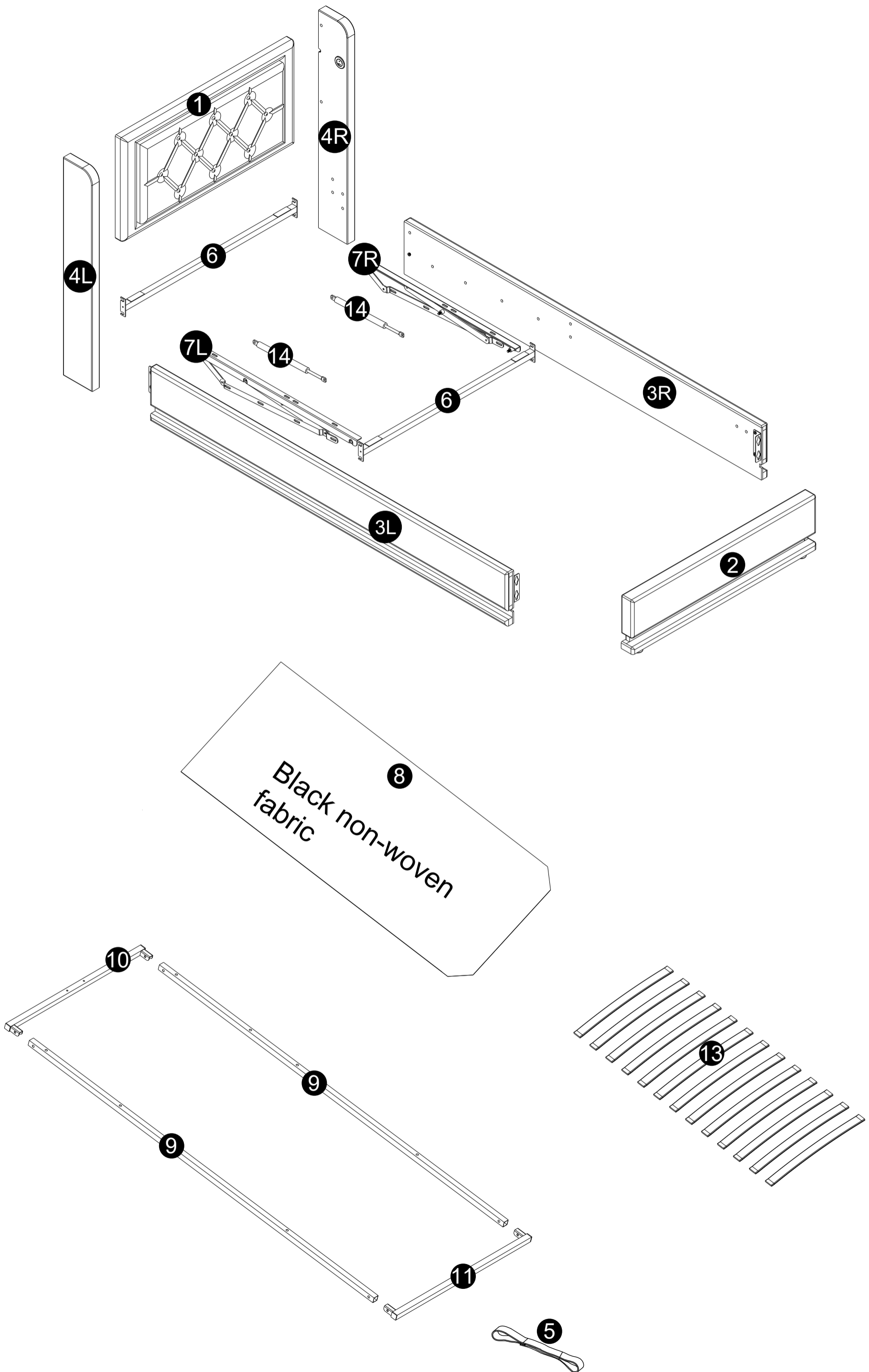
Español

IMPORTANTE PARA LAS CAMAS ELEVADORAS DE GAS&MANTENIMIENTO

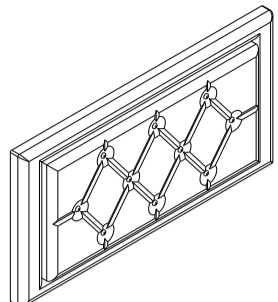

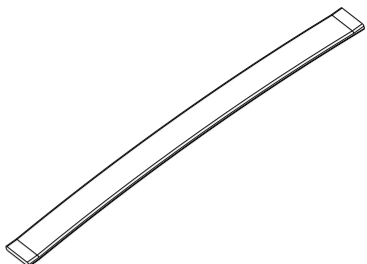

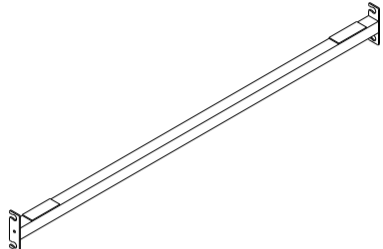
- Coloque el colchón sobre el somier.
- No tire de las asas de la correa.
- Presione con fuerza para liberar el gas comprimido.
- Compruebe periódicamente que todos los tornillos y fijaciones estén bien sujetos.
- Al mover el producto, levántelo con cuidado para colocarlo en su sitio.
- Limpie con un paño ligeramente humedecido; no utilice productos químicos abrasivos ni lejía.
- NO permita que los niños accionen el mecanismo de elevación.
- NO permita que los niños se acerquen a la base elevadora cuando accionen el mecanismo.
- NO se ponga de pie dentro de la cama o de la base de almacenamiento interna.
- NO sobrecargue el somier.
- NO salte sobre el producto ni sobre ninguna de sus piezas.



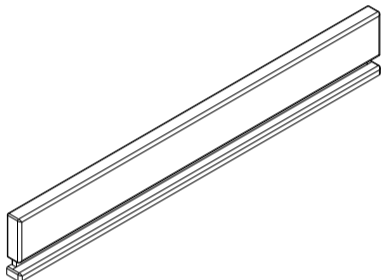
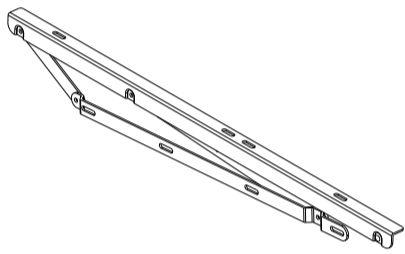
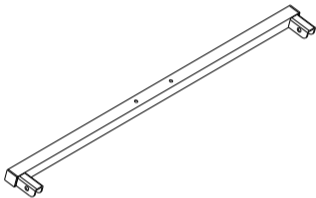
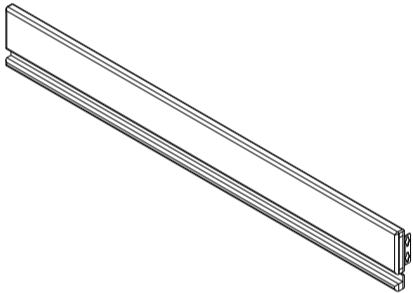
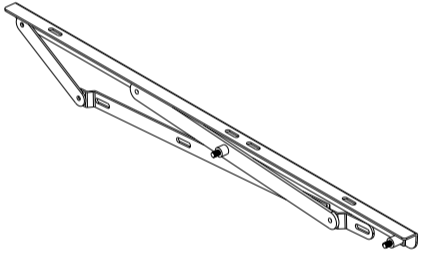
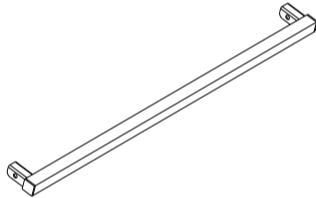
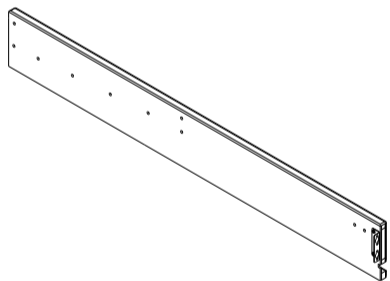
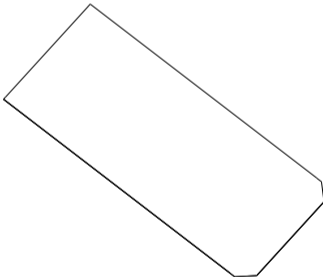
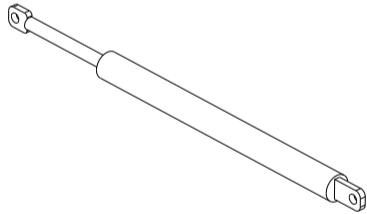
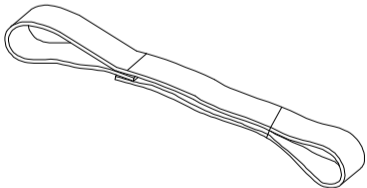
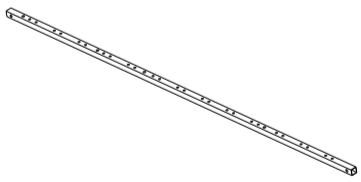
Stückliste



WF531493

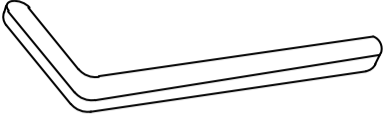
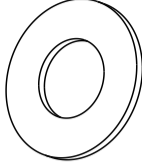
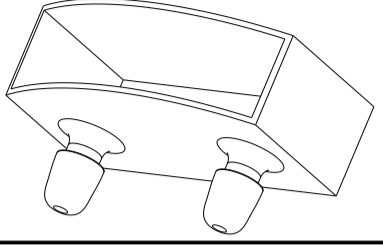
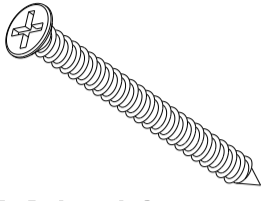
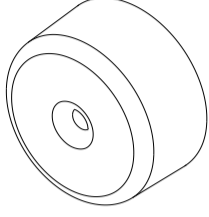
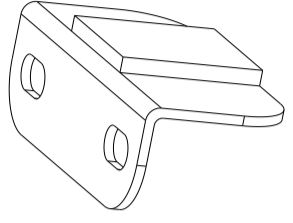
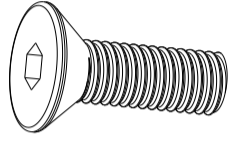
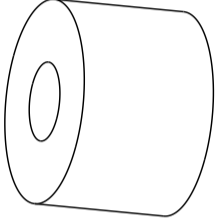
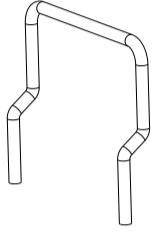
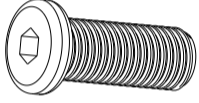
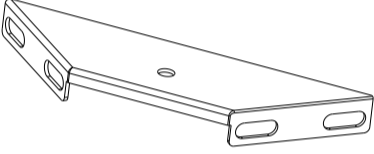
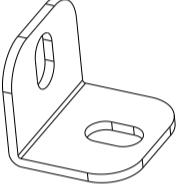
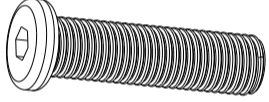
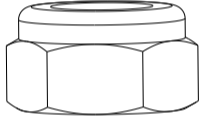
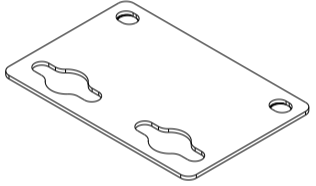
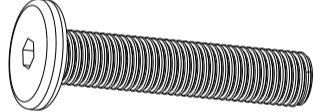
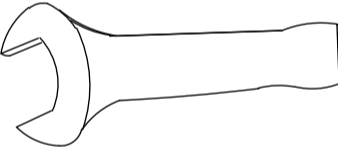
1		X1	4R		X1	13		X13
4L		X1	6		X2			

WF531494

2		X1	7L		X1	10		X1
3L		X1	7R		X1	11		X1
3R		X1	8		X1	14		X2
5		X1	9		X2			

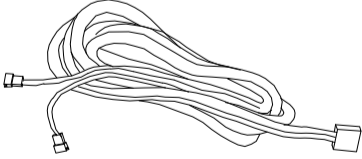
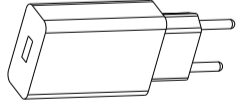

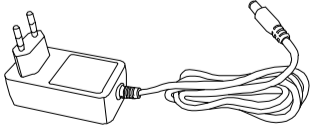
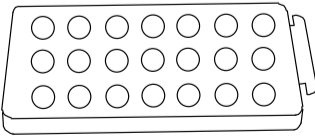
Hardware List-Hardware-Liste-Liste du matériel


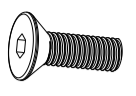
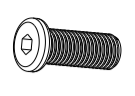

WF531493

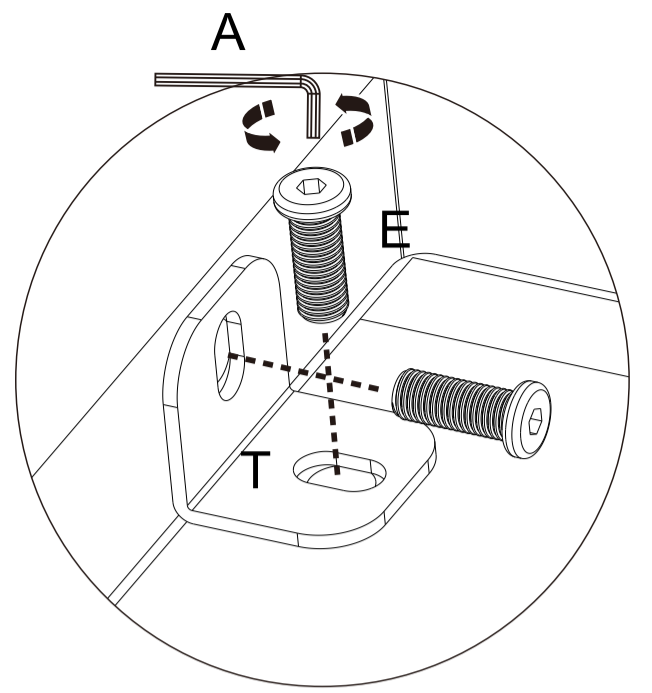
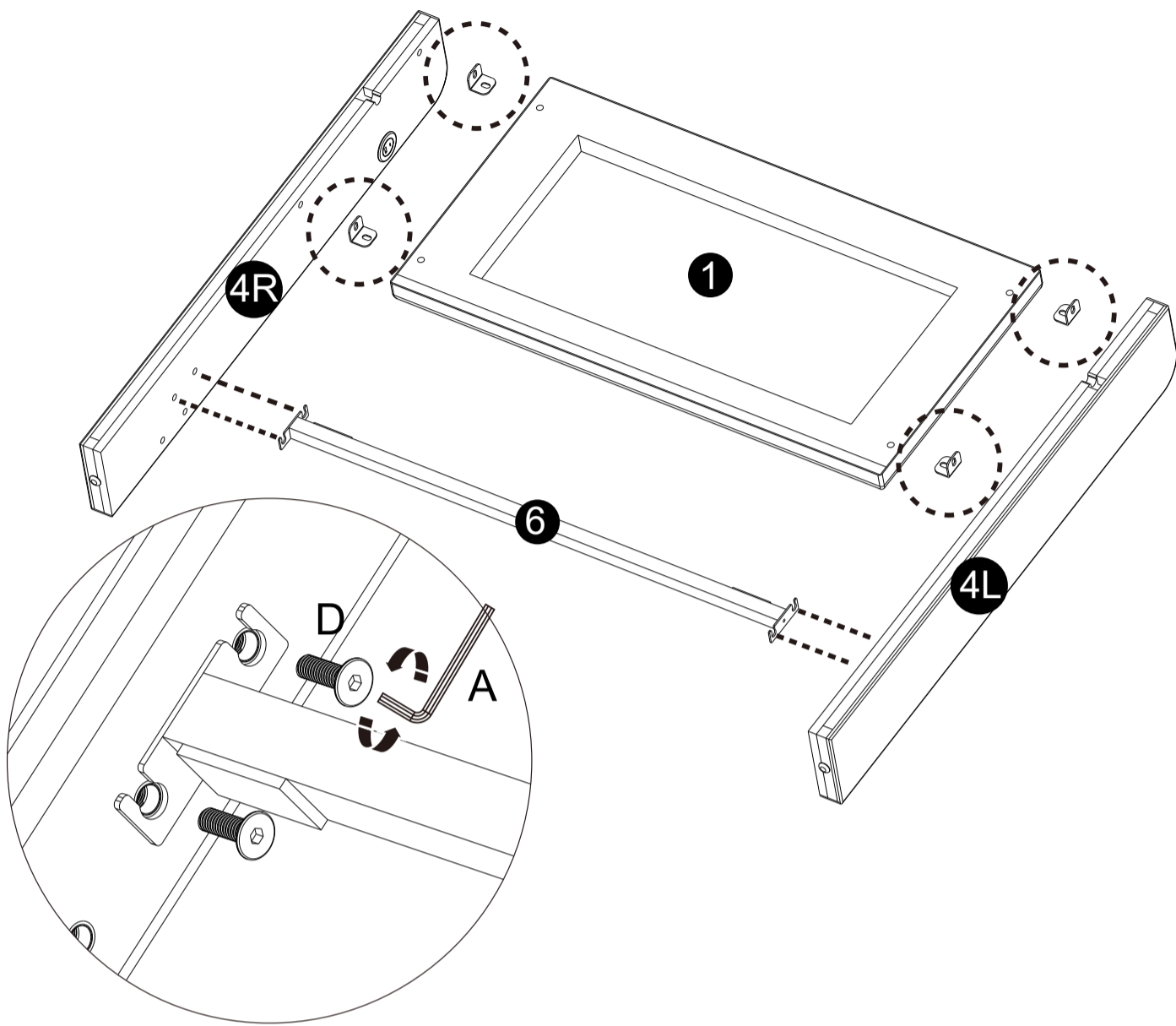
A		X1	H		X4	P		X26
B	 M4x40mm	X2	J		X2	R		X1
D	 M8x18mm	X8	K		X8	S		X1
E	 M8x20mm	X30	L		X2	T		X4
F	 M8x30mm	X8	M	 M8	X14	U		X2
G	 M8x40mm	X10	N		X1			





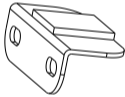
Hardware List-Hardware-Liste-Liste du matériel

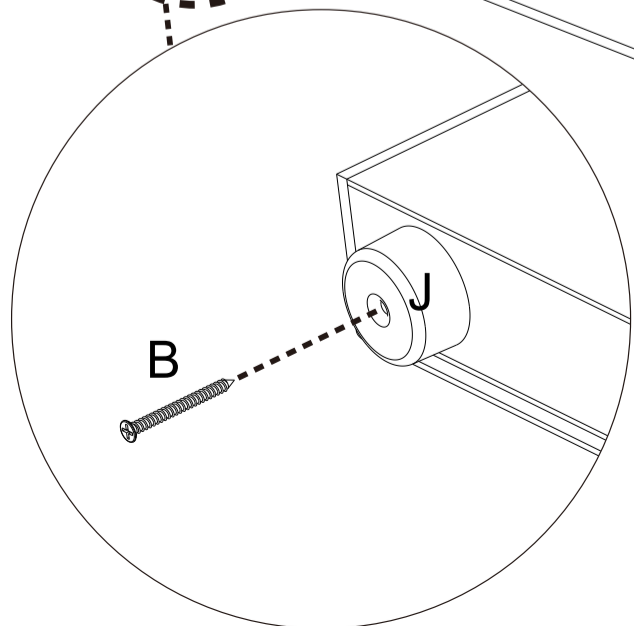
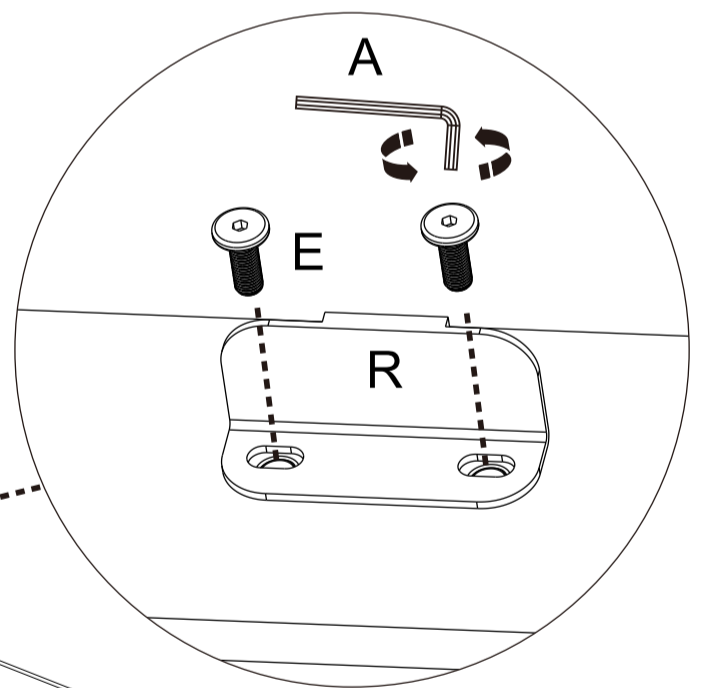
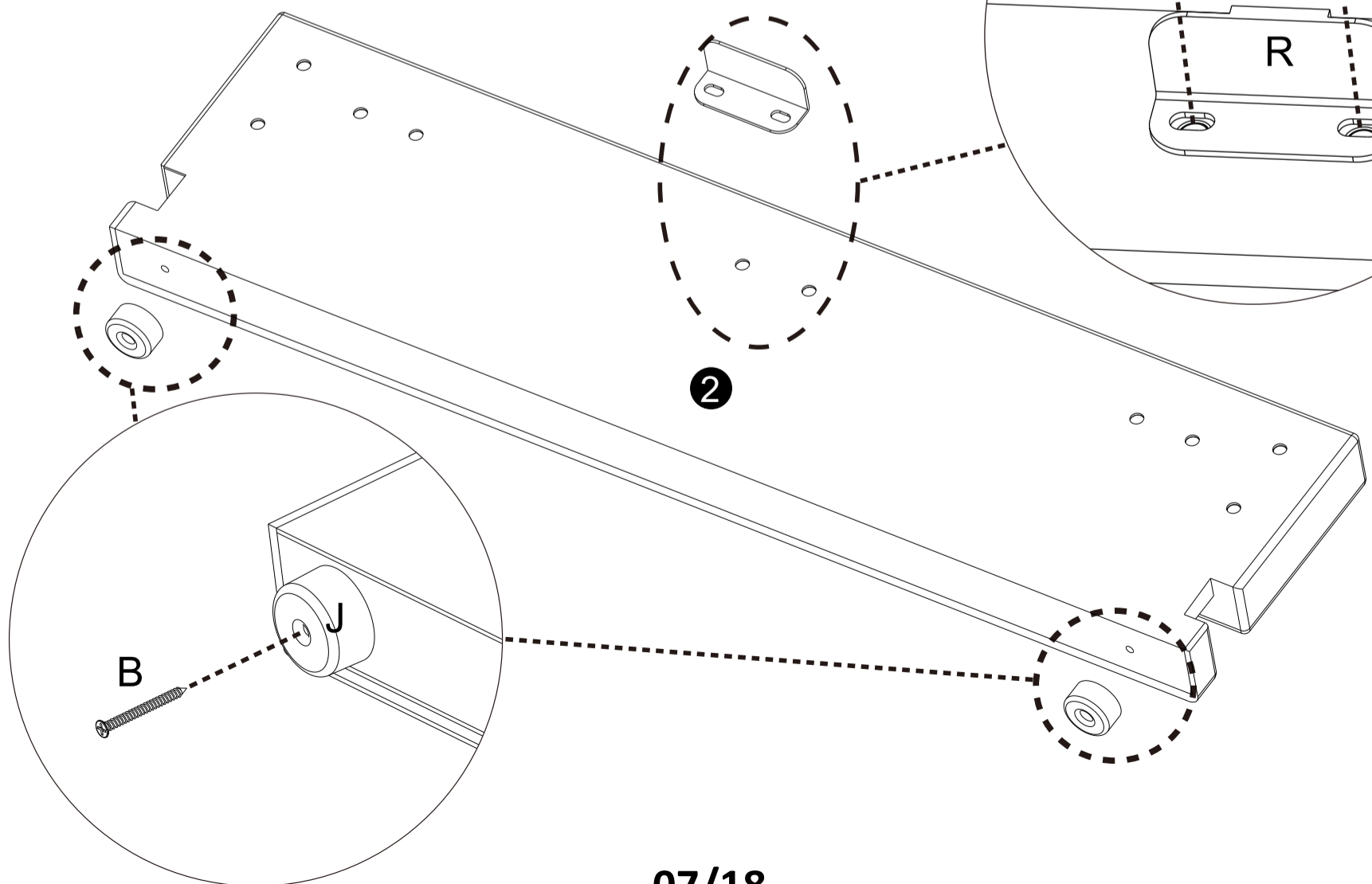
WF531494

V		X1	W		X1	X		X1
Y		X1	Z		X1			

1	A x 1	D x 4	E x 8	T x 4
		 M8 x 18mm	 M8 x 20mm	



2	A x 1	B x 2	E x 2	J x 2	R x 1
		 M4 x 40mm	 M8 x 20mm		

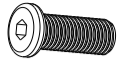


3

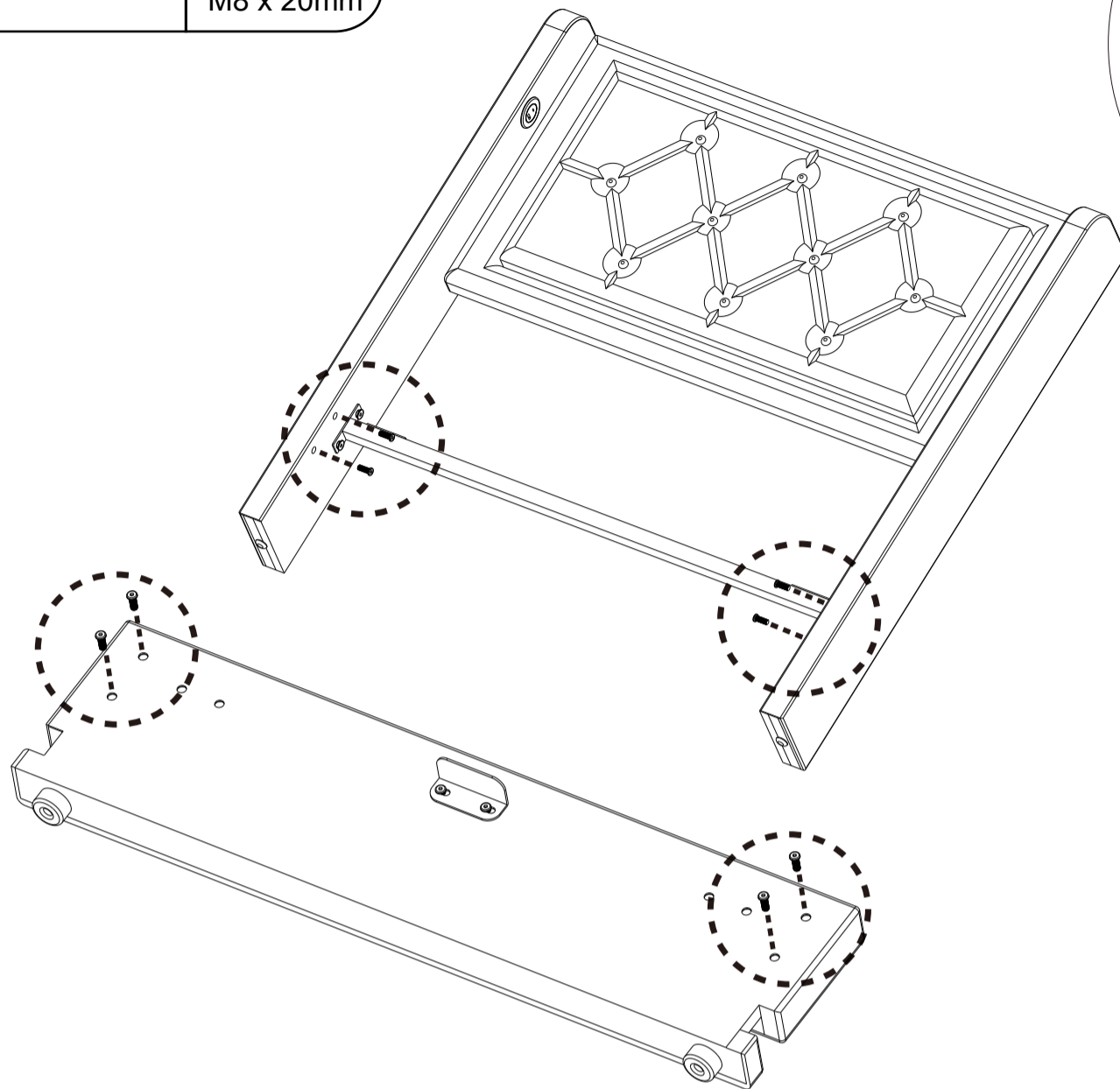
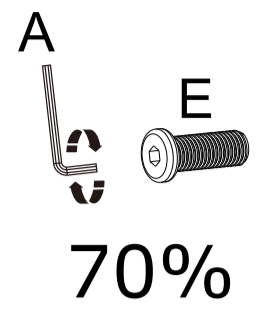
A x 1



E x 8



M8 x 20mm



4

A x 1

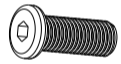


D x 4



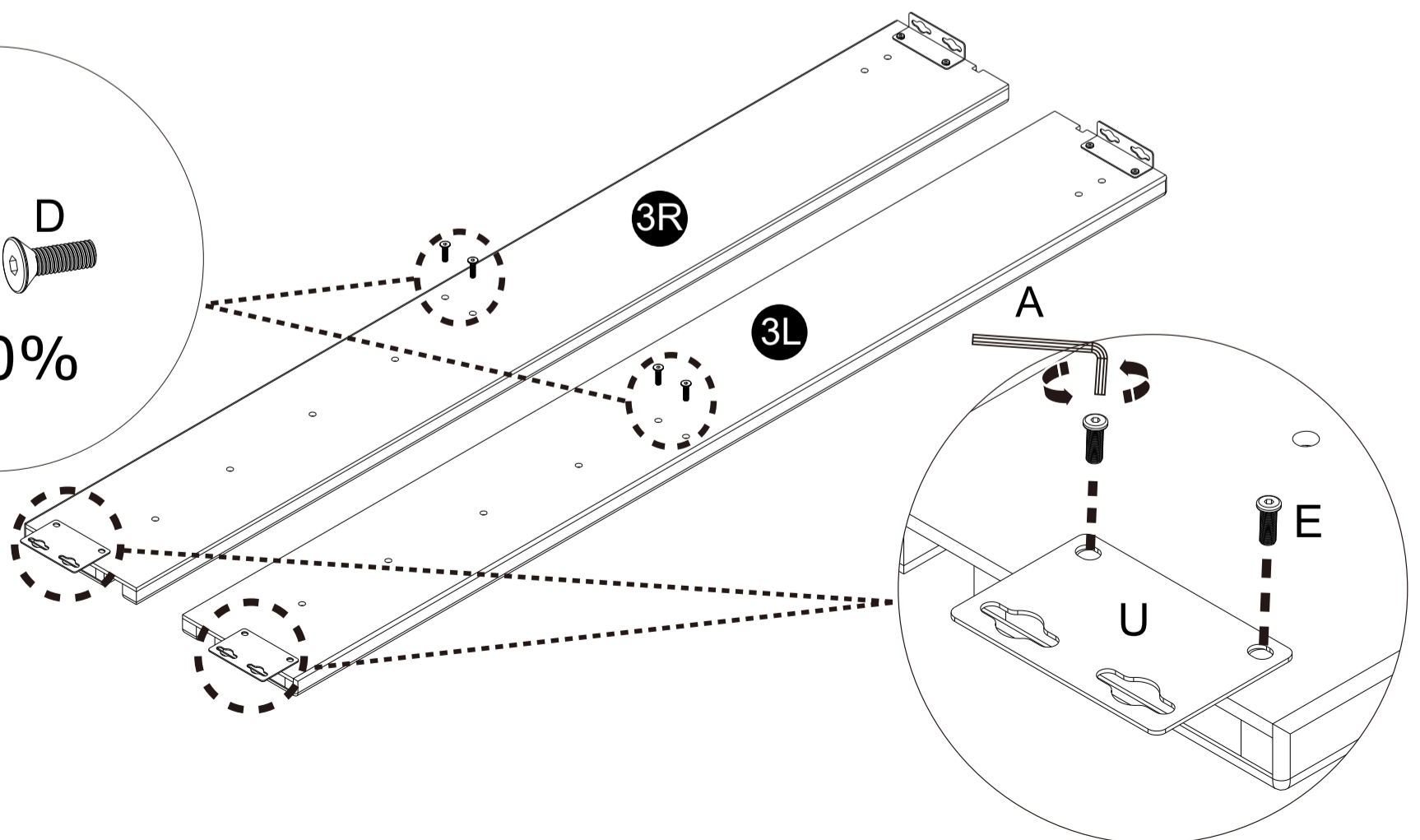
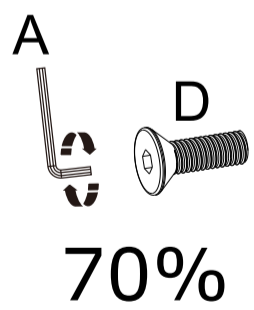
M8 x 18mm




E x 4

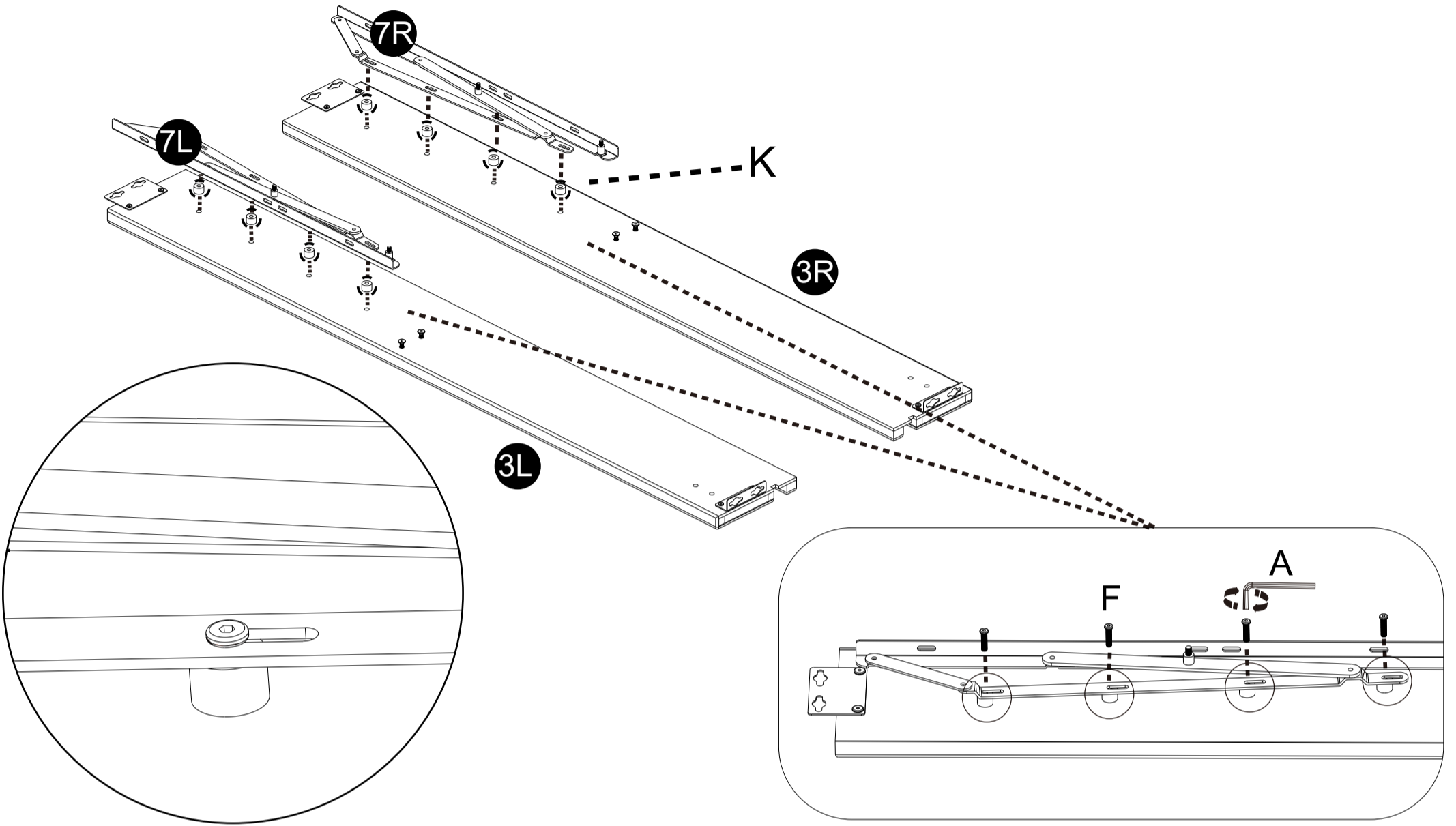



M8 x 20mm

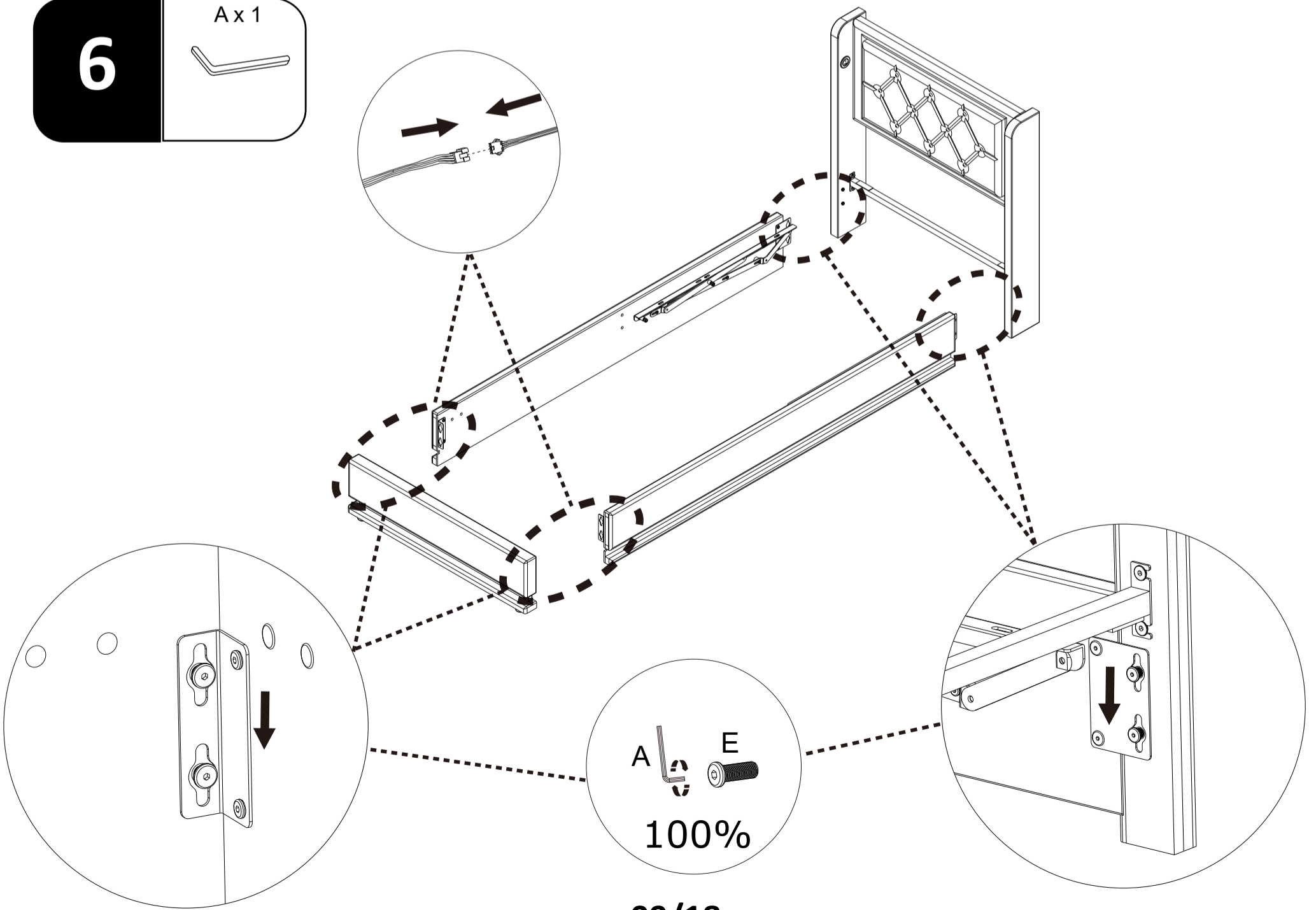
U x 2



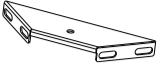


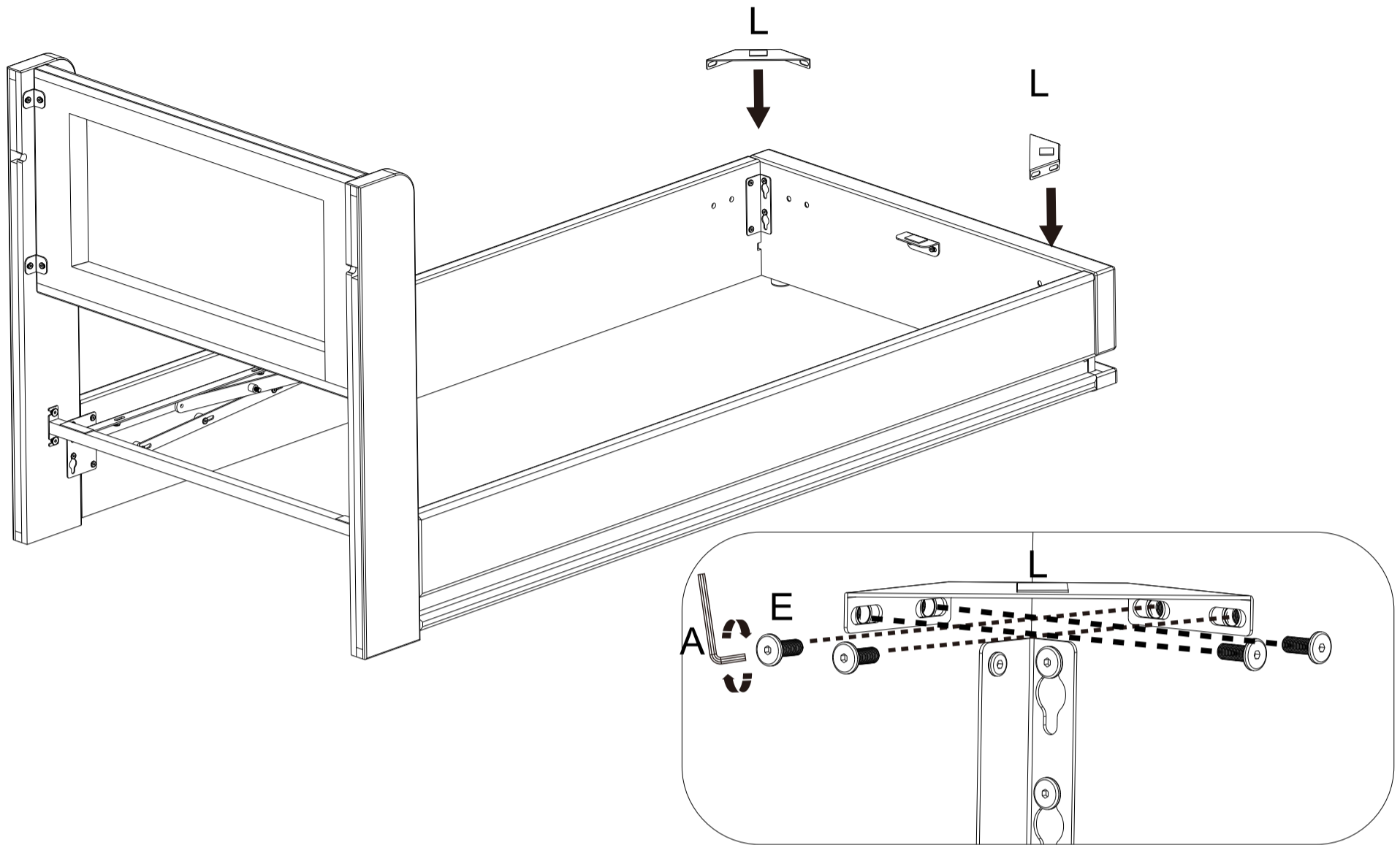
5	A x 1	F x 8	K x 8
		 M8 x 30mm	




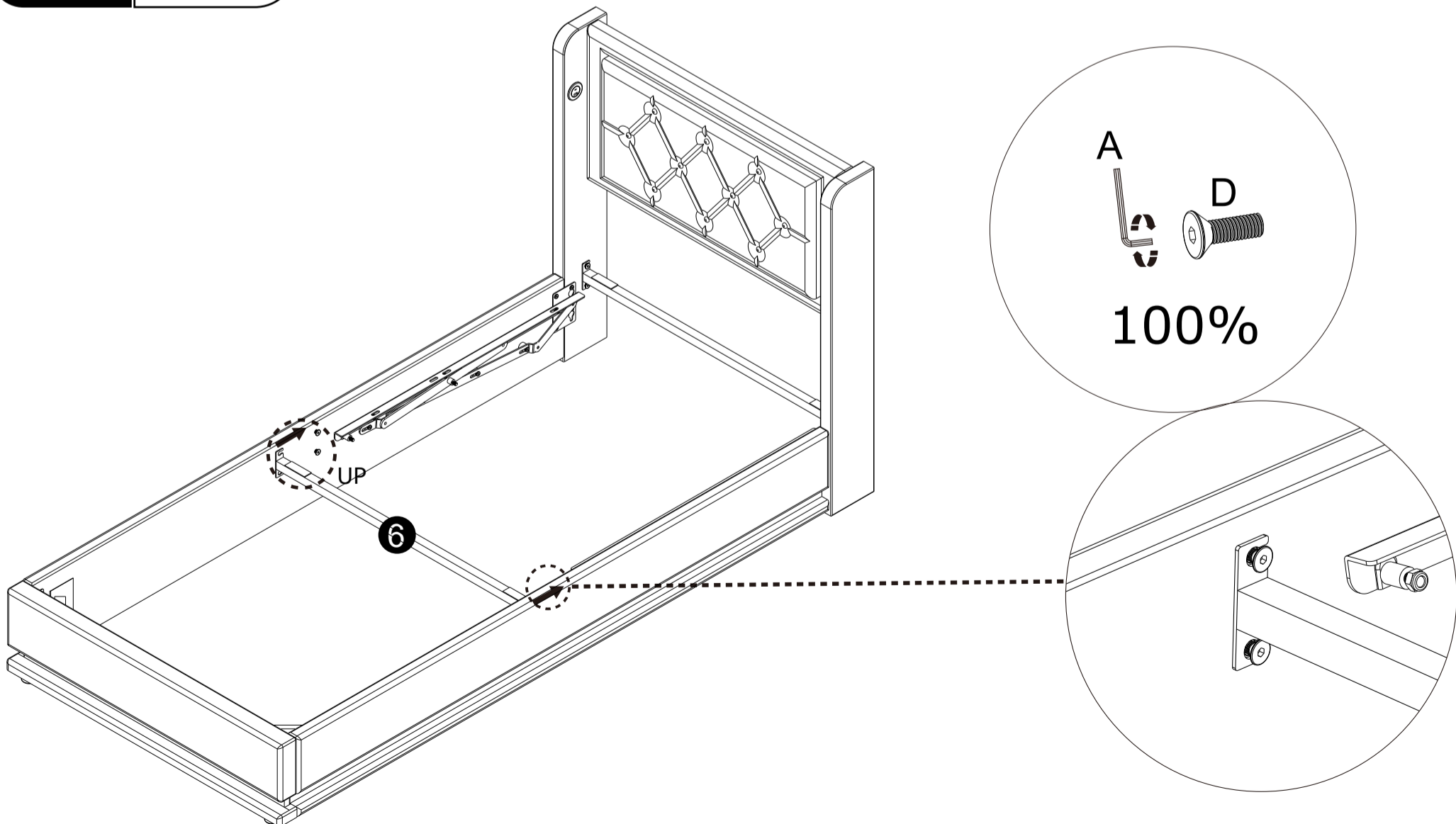
6	A x 1
	



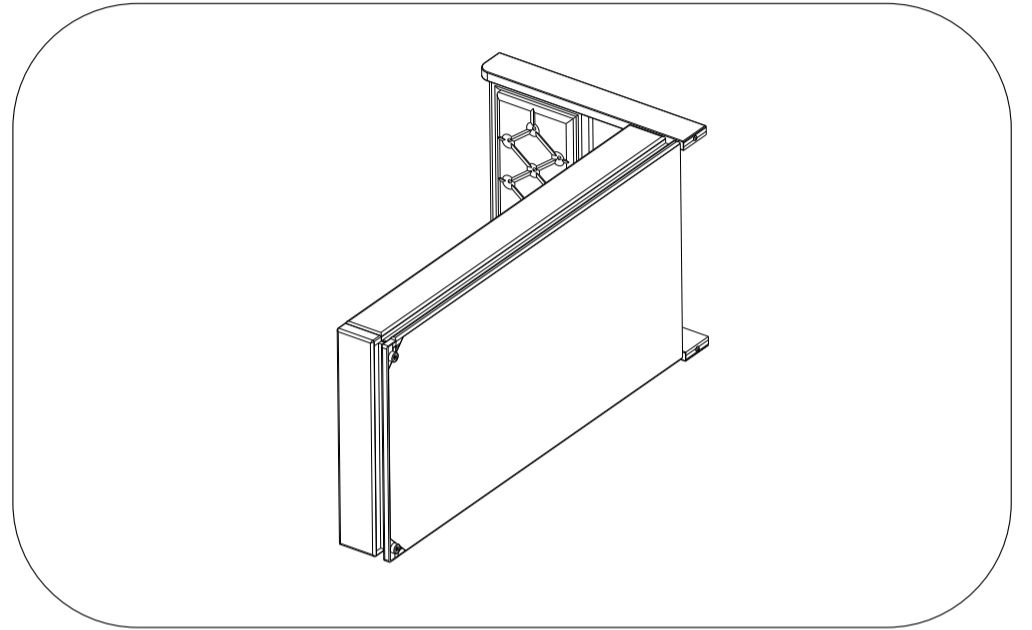
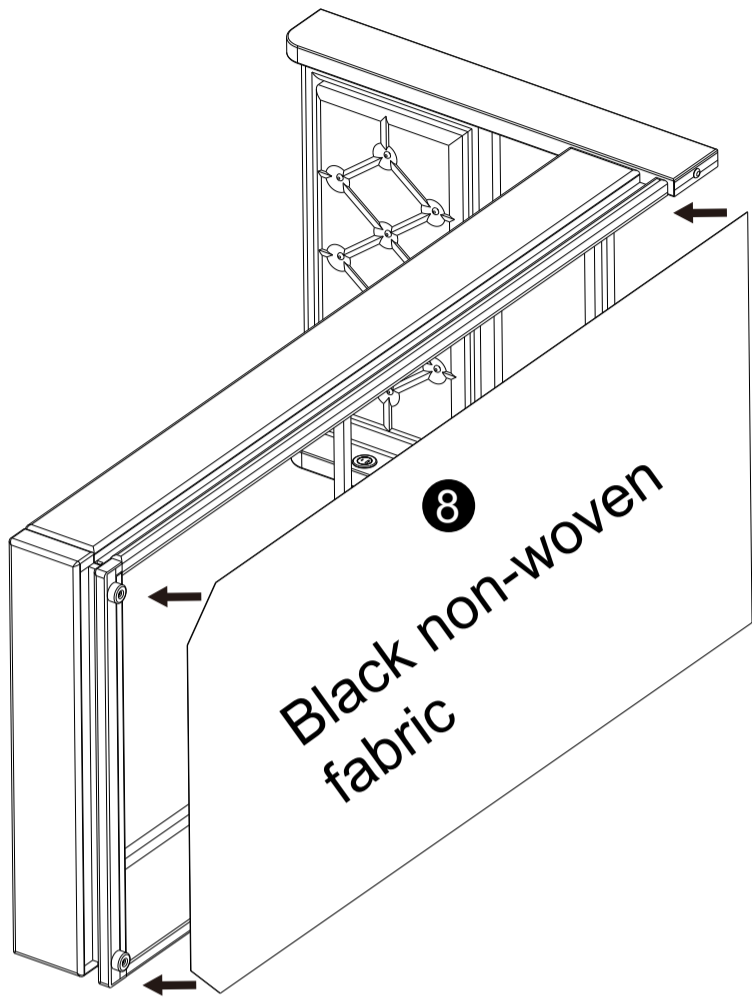
7	A x 1	E x 8	L x 2
		 M8 x 20mm	



8	A x 1
	



9



10

A x 1

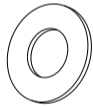


G x 4

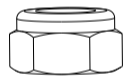


M8 x 40mm

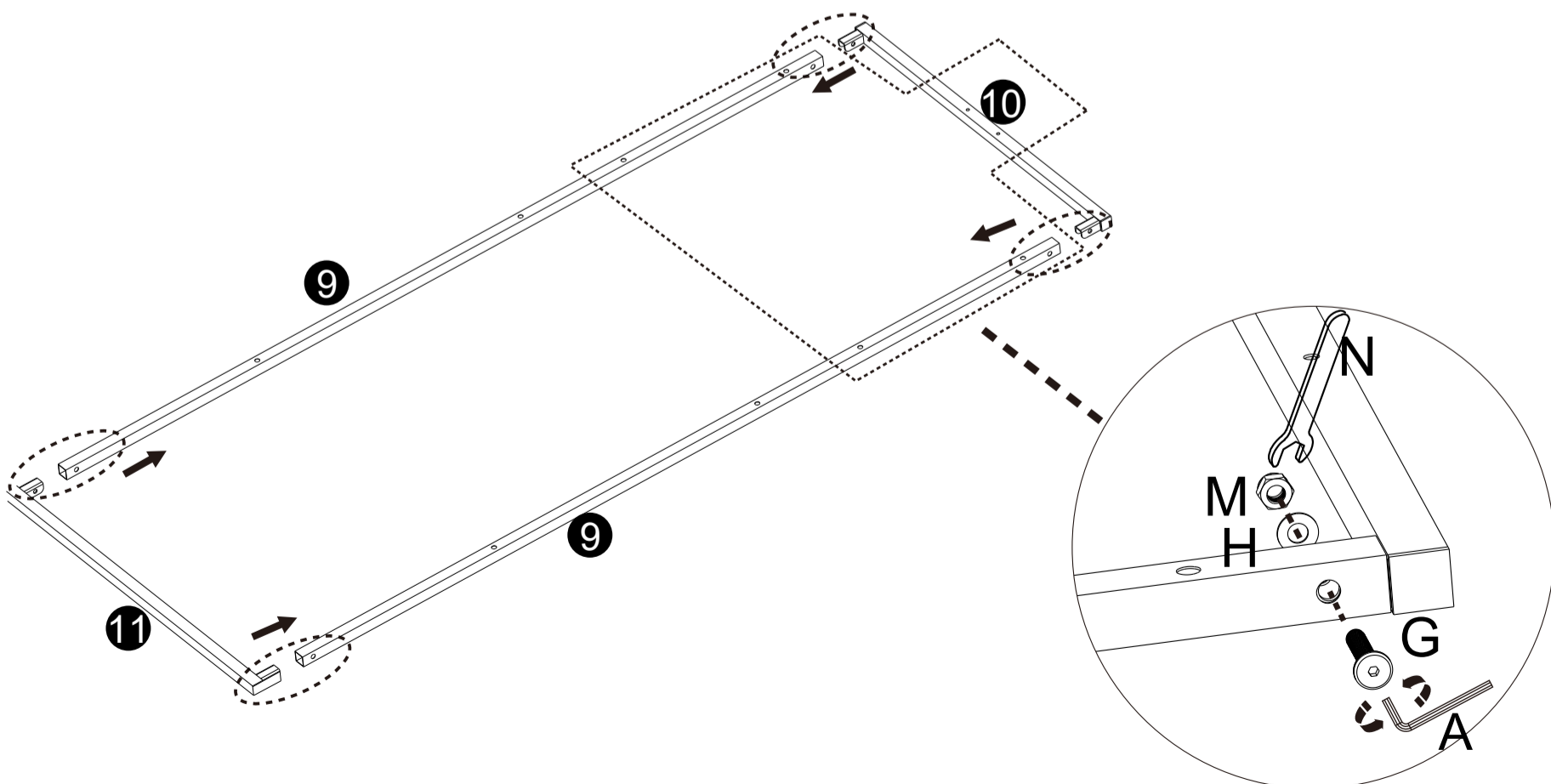
H x 4



M x 4



N x 1



!!! Please aware the orientation of the holes on #9
!!!Bitte beachten Sie die Ausrichtung der Löcher auf #9
!!! Attention à l'orientation des trous sur le #9

11

A x 1

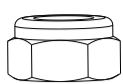


G x 6

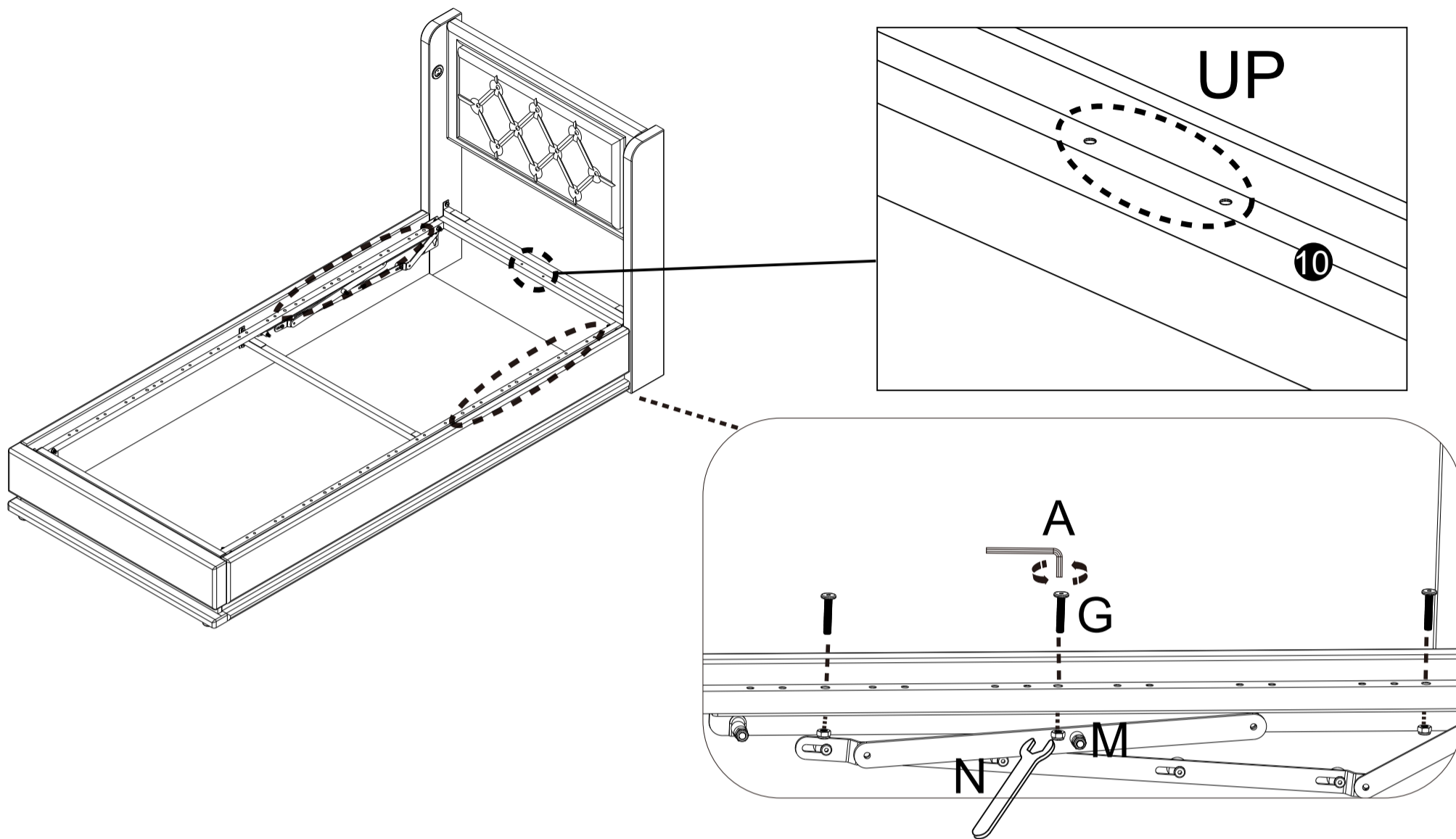


M8 x 40mm

M x 6

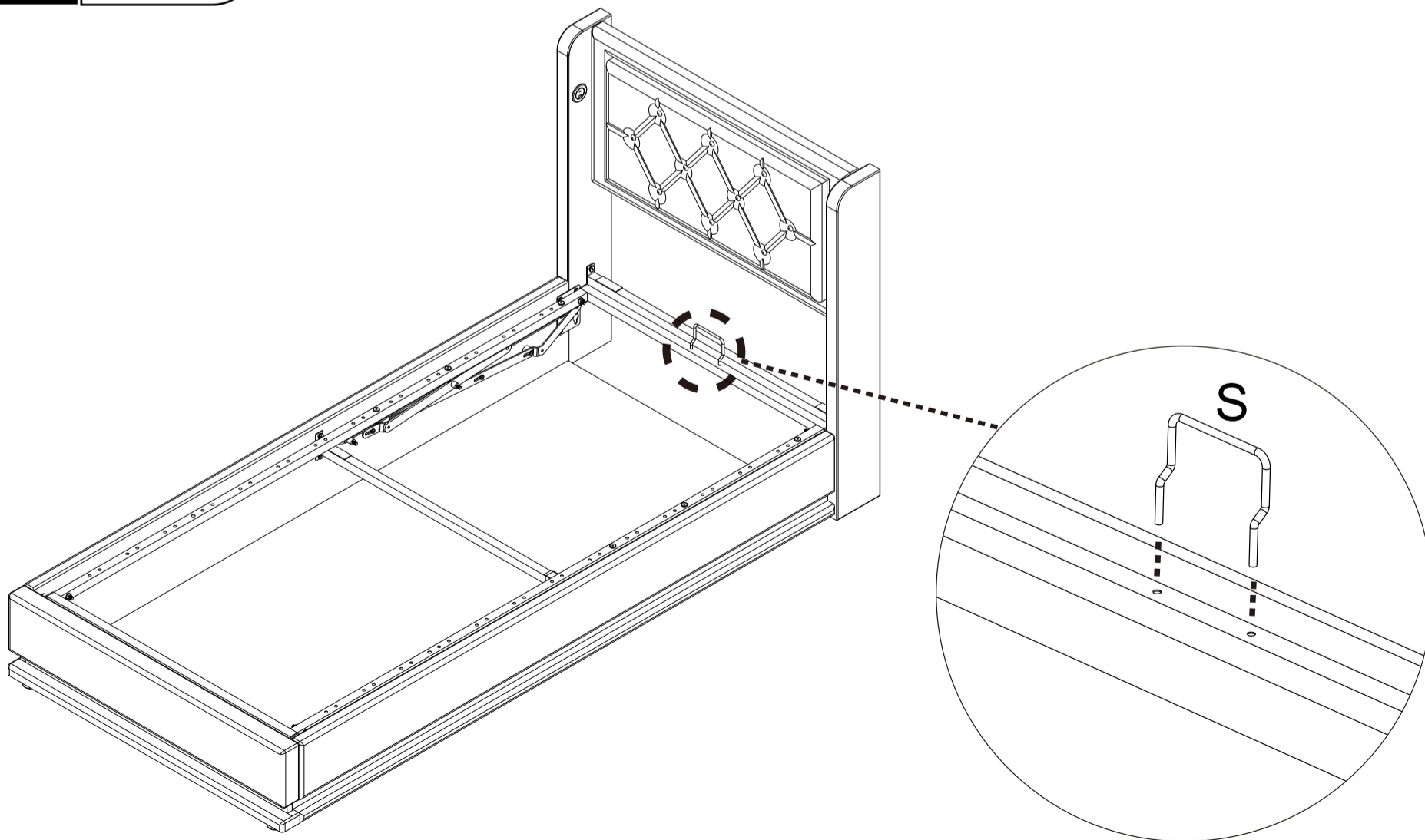
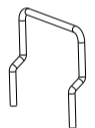


N x 1



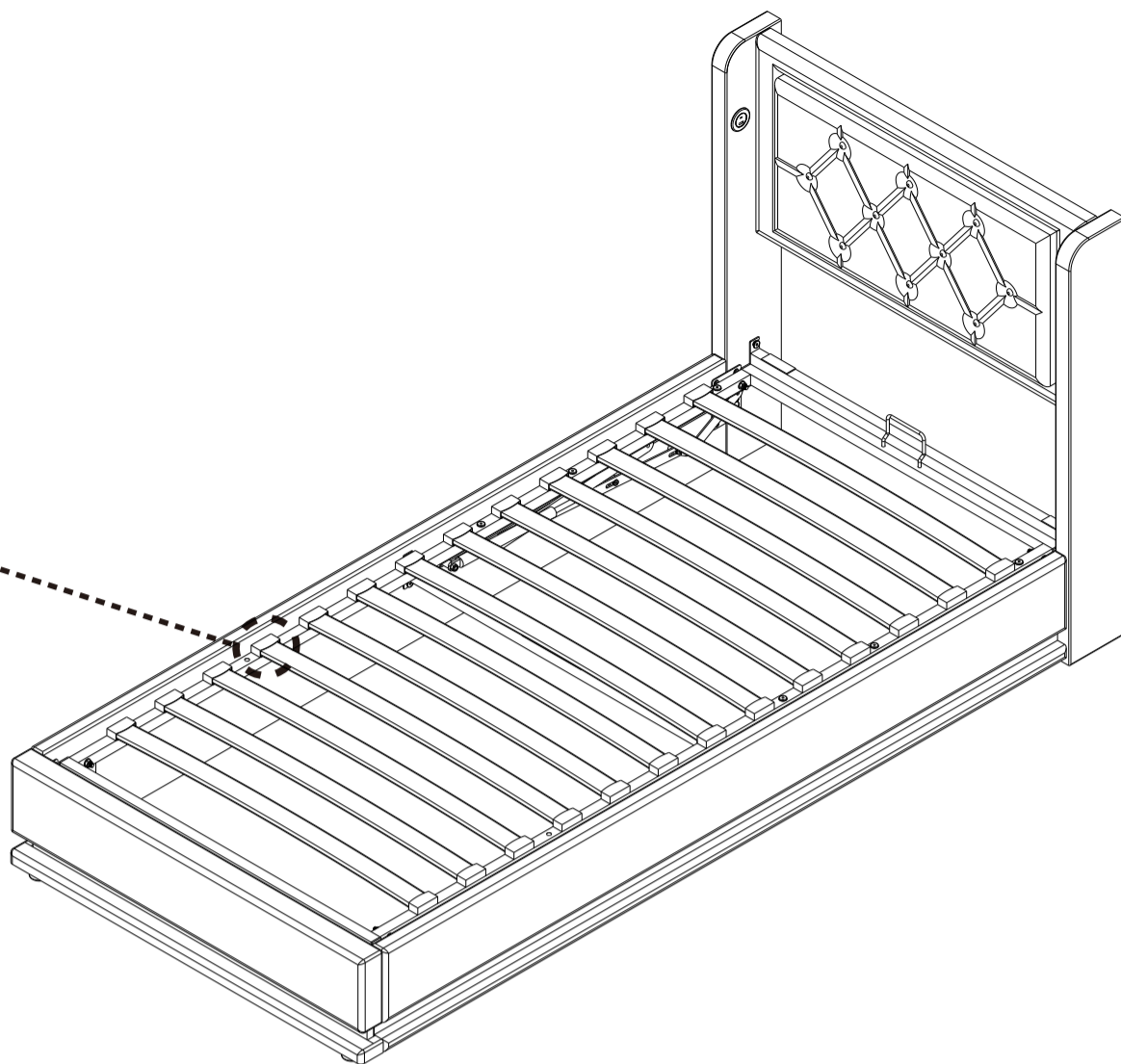
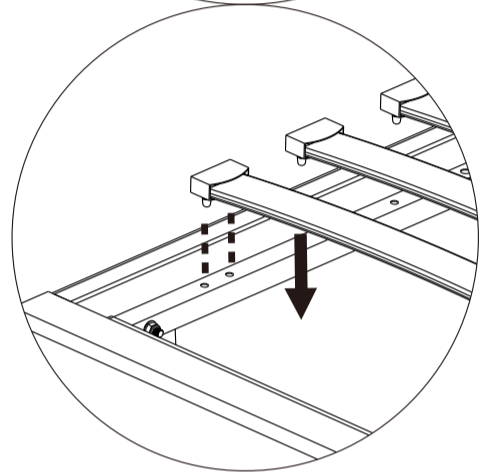
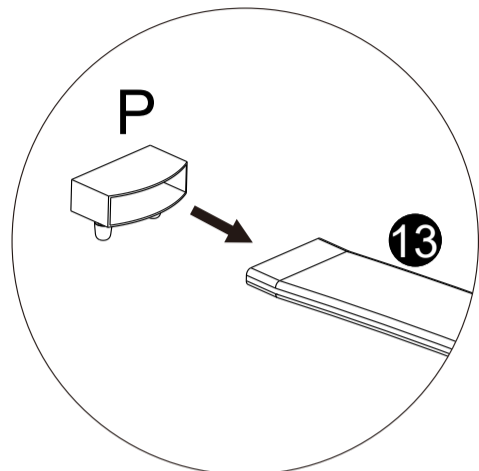
12

S x 1



13

P x 26

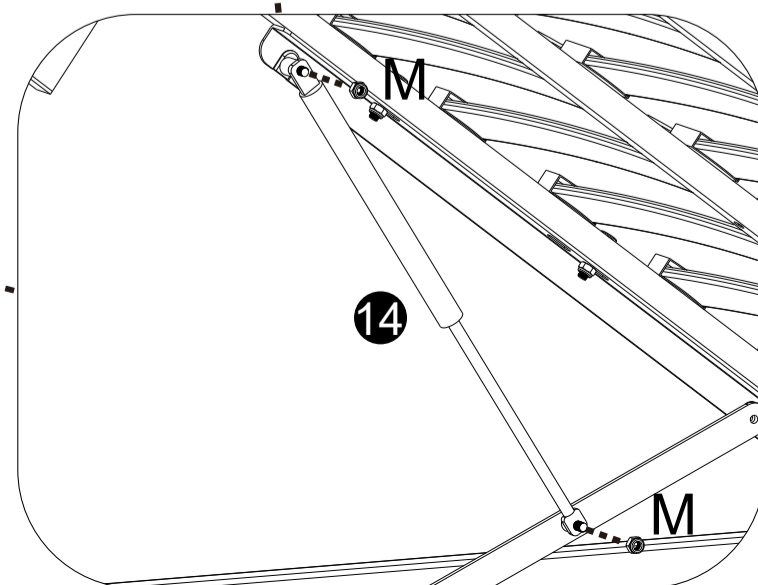
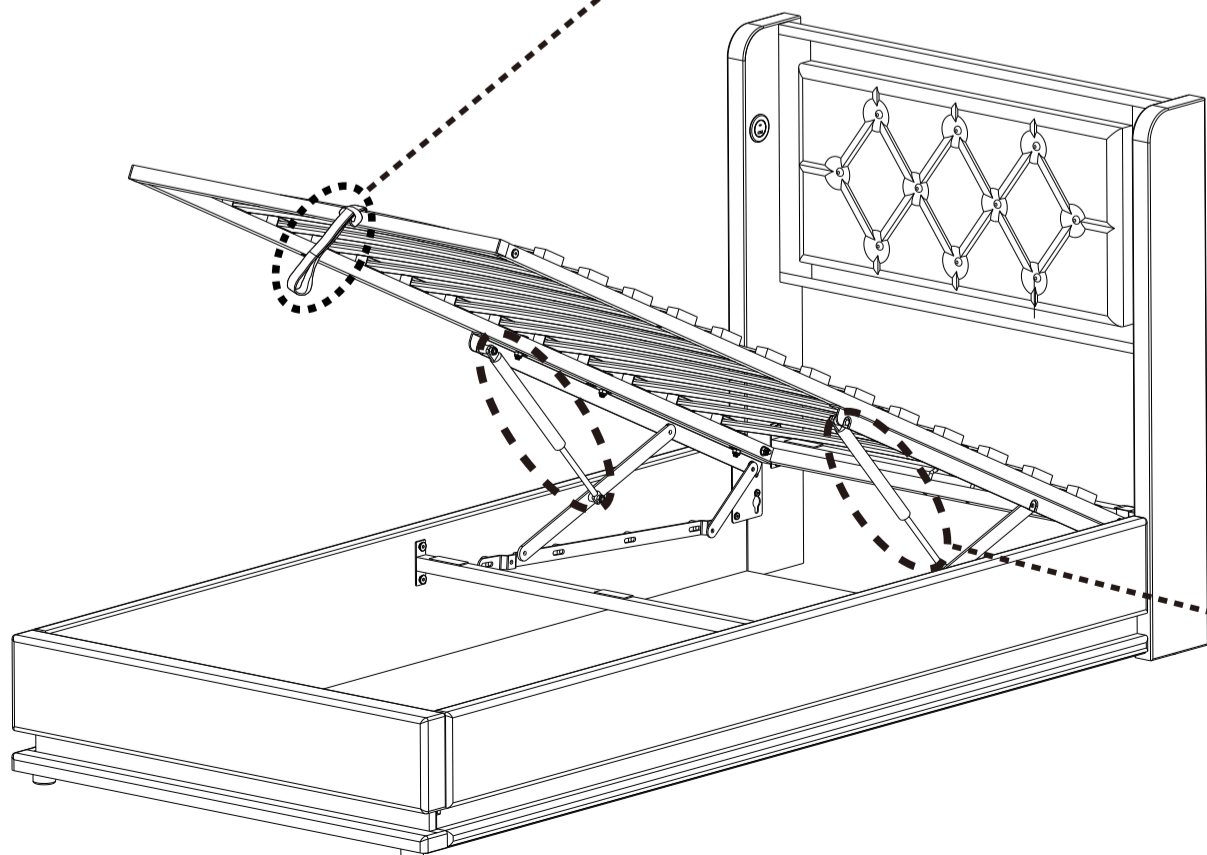
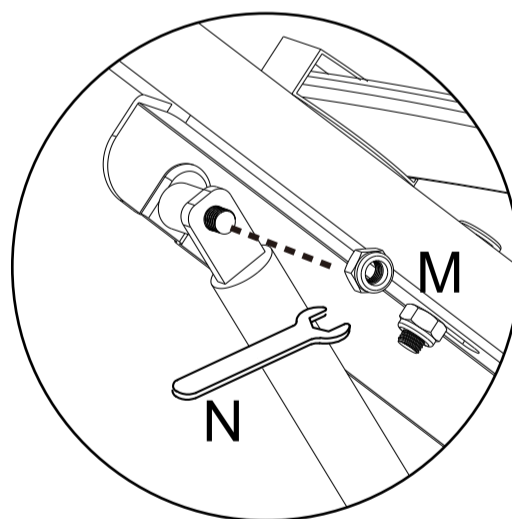
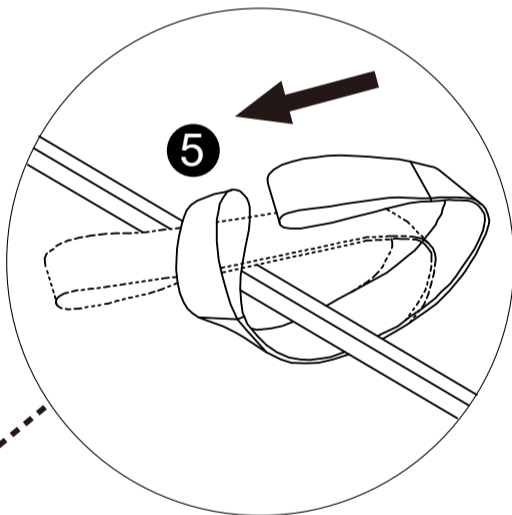


14

M x 4

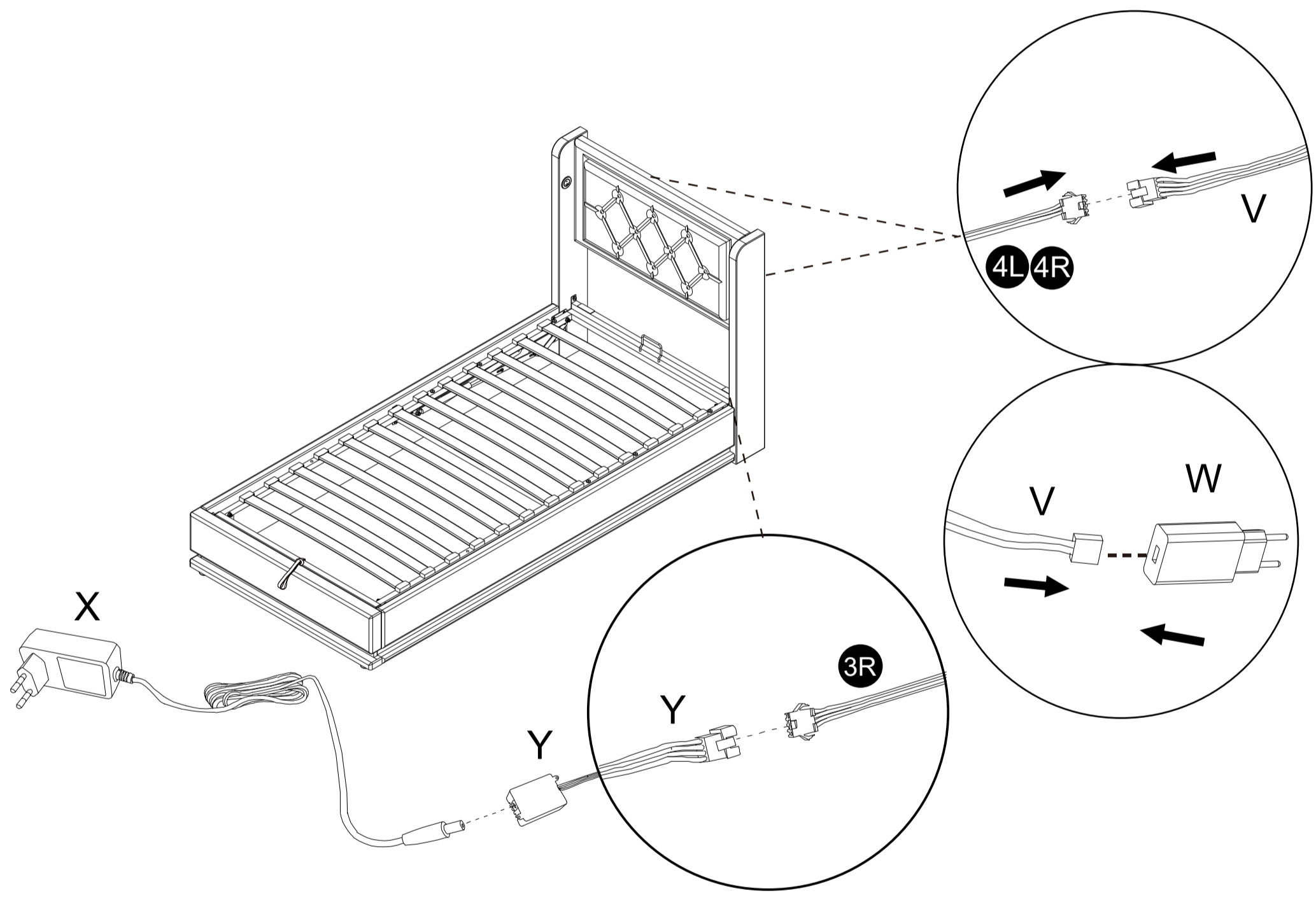


N x 1



15

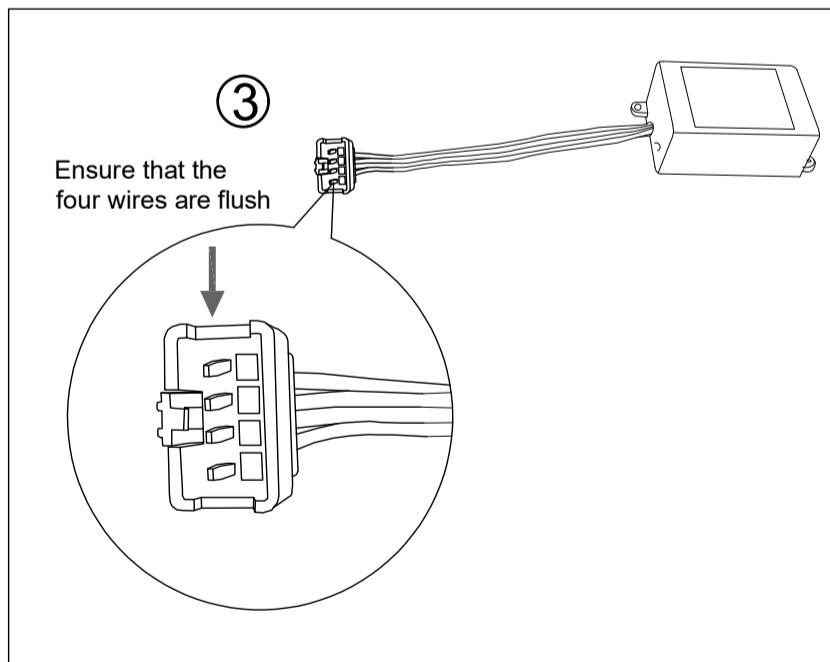
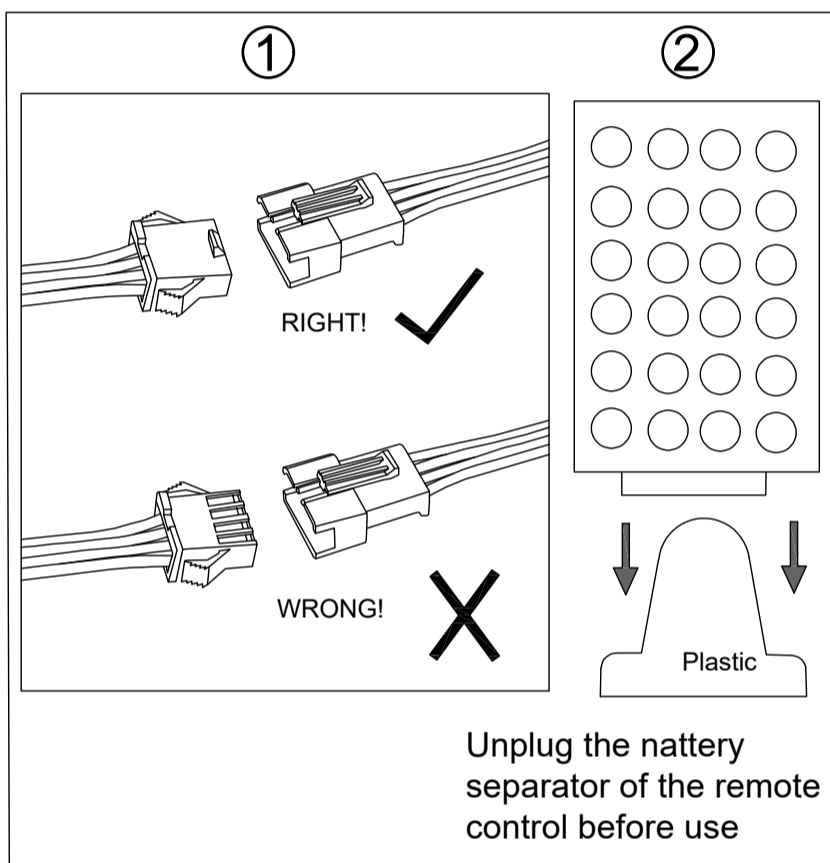
- V x 1
- W x 1
- X x 1
- Y x 1
- Z x 1



LED light

If you can't let the lights work successfully, please check the following:

1. Please check the direction of the connect, try it in the opposite direction, according to the following picture.
2. Please check the remote control, it need you to tear down the plastic septum before use it.
3. If one of the colors is not bright, please check whether the four wires in the plug are skewed, and move the main line to make the four wires flush.



- 1 Please check the direction of the arrow
- 2 Please pull the plastic block out of the remote control
- 3 Please check whether the four wires of the plug are neat

Operation Instructions of Controller

I. Specifications:

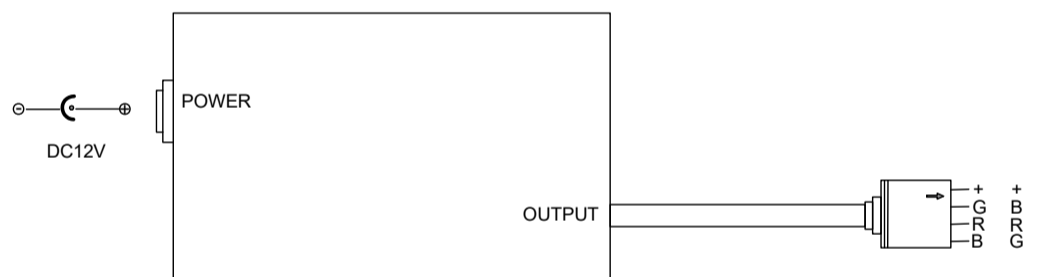
Working temperature: -20-60 °C Supply voltage: DC12V
 Output: Three CMOS drain- open output Connecting Mode: Common anode
 Max load current: 2 A each color

II. Control Method:

Adopt RF remoter to control the led controller, which has 24 buttons, the function of each button as the table below:

Brightness +(Speed up)	Brightness - (Speed down)	Off	On
Static red	Static green	Static blue	Static white
Static orange	Static pea green	Static dark blue	7 color jumpy change
Static dark yellow	Static cyan	Static brown	All fade out&fade in
Static yellow	Static light blue	Static pink	7 color fade change
Static straw yellow	Static sky blue	Static purple	3 base color jumpy

III. Panel specification and connecting drawing as follows:



IV. Warning:

1. Supply voltage of this product is DC12V never connect to DC24V or AC220V.
2. Never connect two wires directly in case of short circuit.
3. Lead wire should be connected correctly according to colors that connecting diagram offers.
4. Warranty of this product is one year, in this period we guarantee replacement or repairing with no charge, but exclude the artificial situation of damaged or overload working.

! WARNING

THIS PRODUCT CONTAINS A BUTTON BATTERY
 If swallowed, a lithium button battery can cause severe or fatal injuries within 2 hours.
 Keep batteries out of reach of children.
 If you think batteries may have been swallowed or placed inside any part of the body, seek immediate medical attention.

V-POWER
Certificate of Conformity

Certificate No. : WTY22030301001E
Report No. : WTY22030301001E

Applicant : Shenzhen Fangxin Technology Co., Ltd
Address : The third floor,Bldg9, A6 Areal, Tongfuyu Industrial Park, Shajing Street, Bao'an District, ShenZhen City, China
Product : SWITCHING ADAPTER
Model No. : FX18E-050300U1, FX18E-050300U3, FX18E-050300U9, FX18E-050300U12

Model No.	Rating input	Rating output	Output Power (W. Max)
FX18E-050300U1	100-240V~, 50/60Hz, 0.5A	5VDC, 3A; 9VDC, 2A; 12VDC, 1.5A.	18.0
FX18E-050300U3		5VDC, 3A	15.0
FX18E-050300U9		9VDC, 2A	18.0
FX18E-050300U12		12VDC, 1.5A	18.0

Test Standard(s) : EN 55032:2015/A11:2020
EN 55035:2017/A11:2020
EN IEC61000-3-2:2019/A1:2021
EN 61000-3-3:2013/A1:2019

This certificate of conformity is based on an evaluation of a sample of the above mentioned product. Technical Report and documentation are at the License Applicant's disposal. This is to certify that the tested sample is in conformity with the Directive 2014/30/EU relating to electromagnetic compatibility.

This certificate does not imply assessment of the series-production of the product. The Applicant of the certificate is authorized to use this certificate in connection with the EC declaration of conformity according to Annex IV of the Directive.



Hero wu
(Manager)
Mar. 18, 2022

Shenzhen Promise Test Technology Co.,Ltd.
103, Building 1, Yibaolai Industrial City, Qiaotou Community, Fuhai Street, Bao'an District, Shenzhen, Guangdong, China.



Certificate of Compliance

Certificate No.: PRMS2205006SC

Holder : Shenzhen Boyaxuan Technology Development Co., Ltd.
3 / F, building 1, No.8, Xingye 1st Road, Fenghuang community, Fuyong Street, 518103 Shenzhen, PEOPLE'S REPUBLIC OF CHINA
Manufacturer : Shenzhen Boyaxuan Technology Development Co., Ltd.
3 / F, building 1, No.8, Xingye 1st Road, Fenghuang community, Fuyong Street, 518103 Shenzhen, PEOPLE'S REPUBLIC OF CHINA
Trade Mark : N/A
Product : AC/DC Adapter
Model(s) : BYX2-XXXXXXYZ
('XXX'=050 to 252, indicates 3 digit numbers which represents output voltage in V after diving by 10; 'YYYY'=0010 to 4000, indicates 4 digit numbers which represents output current in A after diving by 1000; Z= E, C or blank)
Rating : Input: 100-240Vac, 50/60Hz, 0.5A Max.
Output: See report
Test Standard : EN 62368-1:2014+A11:2017

The EUT described above has been tested by us with the listed standards and found in compliance with the council LVD directive 2014/53/EU. It is possible to use CE marking to demonstrate the compliance with this LVD Directive. It is only valid in connection with the test report number: PRMS2205006SR.



This Certificate of Conformity is based on single evaluation of the submitted sample(s) of the above mentioned product. It does not imply an assessment of the whole product and relevant . Directives have to be observed.

Shenzhen Promise Testing Technology Co., Ltd.
103, Building 1, Yibaolai Industrial City, Qiaotou Community, Fuhai Street, Bao'an District, Shenzhen, Guangdong, China



Certificate of Compliance

Certificate NO.: PRMS2205006EC01

Holder : Shenzhen Boyaxuan Technology Development Co., Ltd.
3 / F, building 1, No.8, Xingye 1st Road, Fenghuang community, Fuyong Street, 518103 Shenzhen, PEOPLE'S REPUBLIC OF CHINA
Manufacturer : Same as Hodler
Product : AC/DC Adapter
Model(s) : BYX2-0504000, BYX2-2521100 (See section 2.2 of the report)
Trade Mark : BOYAXUAN
Test Standard : EN 55032:2015/A11:2020
EN 55035:2017/A11:2020
EN IEC 61000-3-2:2019/A1:2021
EN 61000-3-3:2013/A2:2021

The EUT described above has been tested by us with the listed standards and found in compliance with the council EMC Directive 2014/30/EU. It is possible to use CE marking to demonstrate the compliance with this EMC Directive. It is only valid in connection with the test report number: PRMS2205006ER-01.



This Certificate of Conformity is based on single evaluation of the submitted sample(s) of the above mentioned product. It does not imply an assessment of the whole product and relevant . Directives have to be observed.



Certificate of Conformity

Certificate Number: DL-20240403030C

Applicant: Shenzhen Blue The Light Technology co., Ltd.
Floor 4, Building 2, Hongxing Industrial Park, Yuanling Village, Shiyan Town, Baoan District, Shenzhen
Manufacturer: Shenzhen Blue The Light Technology co., Ltd.
Floor 4, Building 2, Hongxing Industrial Park, Yuanling Village, Shiyan Town, Baoan District, Shenzhen
Product: 24 key RF RF controller
Model No.: LG-24-RF-12V
Test Standard: EN 55032:2015+A1:2020
EN IEC 61000-3-2:2019+A1:2021, EN 61000-3-3:2013+A1:2019+A2:2021
EN 55035:2017+A11:2020
EN 61000-4-2:2009, EN IEC 61000-4-3:2020, EN 61000-4-4:2012,
EN 61000-4-5:2014+A1:2017, EN IEC 61000-4-6:2022,
EN 61000-4-8:2010, EN IEC 61000-4-11:2020

The EUT described above has been tested by us with the listed standards and found in compliance with the council EMC directive 2014/30/EU. It is possible to use CE marking to demonstrate the compliance with this EMC Directive. It is only valid in connection with the test report number: DL-20240403030E.



This certificate of conformity is based on a single evaluation of the submitted sample(s) of the above mentioned product. It does not imply an assessment of the whole product and relevant. Without the written approval, It is not permitted to use the test lab's logo.

V-POWER
Certificate of Conformity

Certificate No. : WTY22030301001S
 Report No. : WTY22030301001S

Applicant : Shenzhen Fangxin Technology Co. Ltd.
Address : The third floor,Bldg9, A6 Areal, Tongfuyu Industrial Park, Shajing Street, Bao'an District, ShenZhen City, China
Product : USB Power ADAPTER
Brand Name : Fxin
Model No. : FX18E-050300U1, FX18E-050300U3, FX18E-050300U9, FX18E-050300U12
Ratings : Input: 100-240V~, 50/60Hz, 0.5A, Class II apparatus
 Output: See report for details.
Test Standard(s) : EN 62368-1:2014+A11:2017

This certificate of conformity is based on an evaluation of a sample of the above mentioned product. Technical Report and documentation are at the Licence Applicants disposal. Once compliance with all product relevant mark regulations are verified, including any relevant e.g. risk assessment and production control, the manufacturer may indicate compliance by signing a Declaration of Conformity themselves and applying the mark to products identical to the tested sample(s).



Hero wu
 (Manager)
 Mar. 23, 22

Certificate of Compliance

Certificate Number: DL-2022072129C

Applicant: Eyue Technology Co., Ltd
 2F, XINWANGYUAN HIGH-TECH INDUSTRIAL PARK, ZHANGMUTOU TOWN, DONGGUAN, GUANGDONG, 523627 CHINA
Manufacturer: Eyue Technology Co., Ltd
 2F, XINWANGYUAN HIGH-TECH INDUSTRIAL PARK, ZHANGMUTOU TOWN, DONGGUAN, GUANGDONG, 523627 CHINA
Product: USB Charger
M/N: EY-U222
 EY-U112, EY-U212, EY-U312, EY-U412, EY-U612, EY-U122, EY-U322, EY-U422, EY-U132, EY-U232, EY-U332, EY-U432, EY-U142, EY-U242, EY-U342, EY-U442, EY-U152, EY-U252, EY-U352, EY-U452, EY-UXXX, EY-U512, EY-U712, EY-U812, EY-U522, EY-U622, EY-U722, EY-U822, EY-U532, EY-U632, EY-U732, EY-U832, EY-U542, EY-U642, EY-U742, EY-U842, EY-U552, EY-U652, EY-U752, EY-U852
Test Standard: EN 55015:2013+A1:2015
 EN 61000-3-2:2014, EN 61000-3-3:2013
 EN 61547:2009
 EN 61000-4-2:2009, EN 61000-4-3: 2006+A1:2008+A2:2010
 EN 61000-4-4:2012, EN 61000-4-5:2014, EN 61000-4-6:2014
 EN 61000-4-8:2010, EN 61000-4-11:2004

The EUT described above has been tested by us with the listed standards and found in compliance with the council EMC directive 2014/30/EU. It is possible to use CE marking to demonstrate the compliance with this EMC Directive. It is only valid in connection with the test report number: DL-2022072129E.



CERTIFICATE OF CONFORMITY

No.: AZT24072647C-EV0

Report No. : AZT24072647C-E0
Applicant : ShenZhen BoYaXuan Technology Development CO., LTD
Address : 3/F, 1st Building, Xing Wei (Feng Huang) Third Industrial Area, Fuyong Street, 518103 Shenzhen, PEOPLE'S REPUBLIC OF CHINA
Sample Name : AC/DC Adapter
Trade Mark : BOYAXUAN
Model No. : Please refer to next page(s).

The submitted products have been tested by us with the listed standards and found in compliance with the following European Directives:

RoHS Directive 2011/65/EU Annex II amending Directive (EU)2015/863
The Restriction of The Use of Certain Hazardous Substances In Electrical and Electronic Equipment

The standard(s) used for showing compliance with the essential requirements:

Test method(s)
 IEC 62321-3-1:2013; IEC 62321-5:2013; IEC 62321-4:2013+AMD1:2017 CSV; IEC 62321-6:2015;
 IEC 62321-7-1:2015; IEC 62321-7-2:2017; IEC 62321-8:2017



Date of Issue: August 05, 2024

Jank
 Signed for and on behalf of AZT

According to the applicant's requirements, the materials selected for submitting the samples will be tested. The test results are only responsible for the submitted samples. This certificate is a part of the complete test report and should be used in conjunction with the test report. It is based on the conformity assessment of the submitted samples.



Model No.:
 BYX2-XXXXYYYY, BYX2-XXXXYYYY, BYX3-XXXXYYYY, BYX3-XXXXYYYY, BYX3-XXXXYYYYG,
 BYX4-XXXXYYYY, BYX4-XXXXYYYY, BYX4-XXXXYYYYG, BYX-XXXXYYYY, BYX-XXXXYYYYZ,
 BYX-XXXXYYYY, BYX-XXXXYYYYG, BYX6-XXXXYYYY, BYX6-XXXXYYYYG.
 035-120, stands for output voltage from 3.5V to 12V, YYYY=0010-650 stands for output current from 0.01A to 0.2A.Max.7.5W
 050-252, stands for output voltage from 5V to 25.2V, YYYY=0010-4000 stands for output current from0.01A to 4.0A,Max.24W
 050-252, stands for output voltage from 5V to 25.2V, YYYY=0010-7200 stands for output current from0.01A to 7.2A.Max.60W
 050-480, stands for output voltage from 5V to 48V, YYYY=0010-10000 stands for output current from 0.01Ato 10.0A. Max.75W
 090-480, stands for output voltage from 9V to 48V, YYYY=0010-10000 stands for output current from 0.01Ato 10.0A. Max.151.2W
 Z=B,E ,B,J,CH,M,U,K,G,Z,ZG."U" represents British plug, "E" represent European plug, "A" represent Australian "M" means replaceable plug type, "J" represents japanese plug, "C" represents Chinaplug,"U"represents United States of America plug, "K"represents Korea plug, "zG""G" stands for desktoptriple plug.



Certificate of Conformity

Certificate Number:DL-20240403012C

Applicant: Shenzhen Blue The Light Technology co., Ltd.
Floor 4, Building 2, Hongxing Industrial Park, Yuanling Village, Shiyan Town, Baoan District, Shenzhen

Manufacturer: Shenzhen Blue The Light Technology co., Ltd.
Floor 4, Building 2, Hongxing Industrial Park, Yuanling Village, Shiyan Town, Baoan District, Shenzhen

Product: 24 key RF RF controller

Model No.: LG-24-RF-12V

Test Standard: IEC 62321-3-1:2013; IEC 62321-4:2013+A1:2017;
IEC 62321-5:2013; IEC 62321-6:2015; IEC 62321-7-1:2015;
IEC 62321-7-2:2017; IEC 62321-8:2017

The EUT described above has been consolidated by us and found in compliance with the council RoHS Directive (EU) 2015/863 amending Annex II to Directive 2011/65/EU.

The certificate applies to the tested sample above mentioned only and shall not imply an assessment of the whole production, It is only valid in connection with the test report number:DL-20240403012R.

RoHS



This certificate of conformity is based on a single evaluation of the submitted sample(s) of the above mentioned product. It does not imply an assessment of the whole product and relevant. Without the written approval, It is not permitted to use the test lab's logo.

