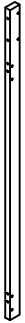

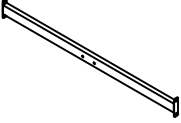
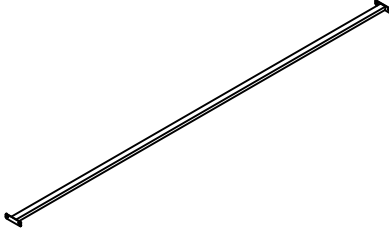
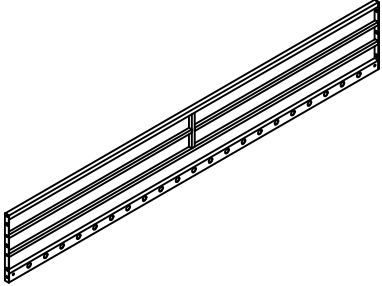
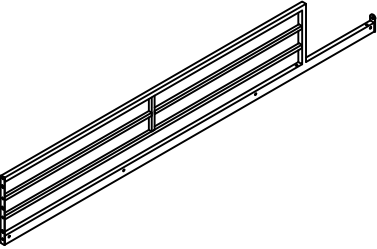
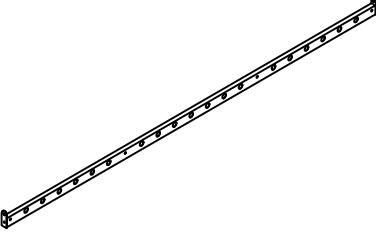
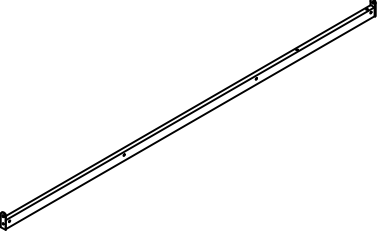












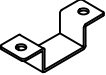



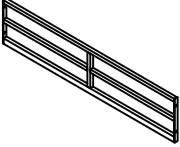
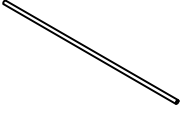
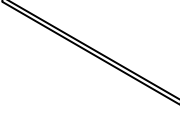
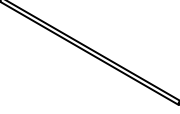
# Parts List

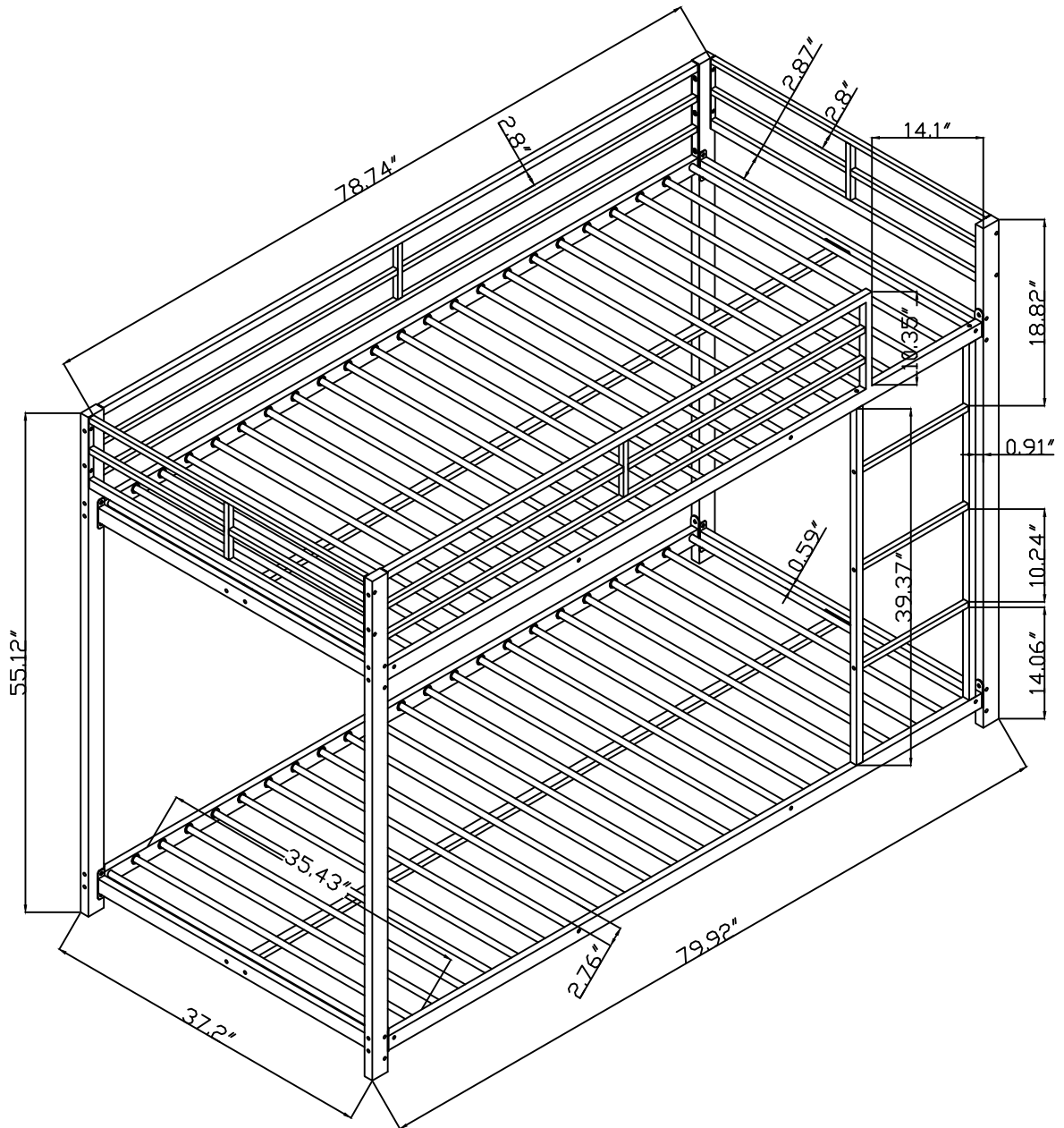
A	B	D	H	I	
					
3PCS	1PC	4PCS	2PCS	1PC	
J		K	L	M	N
					
1PC		1PC	1PC	2PCS	3PCS

# Hardware List

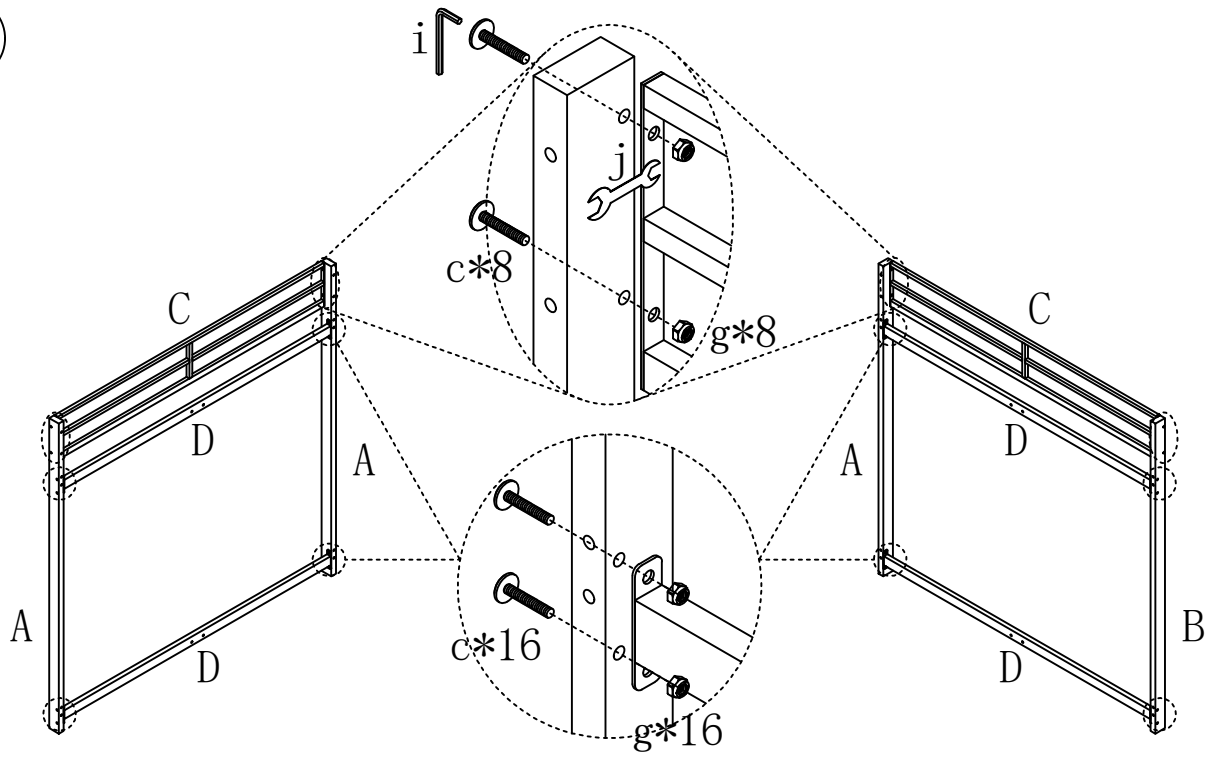
a	b	c	d	e	f	g	h	i	j
									
1/4*62 22PCS	1/4*50 4PCS	1/4*35 24PCS	1/4*32 22PCS	1/4*16 8PCS	22PCS	46PCS	84PCS	2PCS	2PCS
k	l								
									
2PCS	4PCS								

# Parts List

C	E	F	G
			
2PCS	4PCS	4PCS	38PCS



1



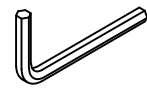
HARDWARE REQUIRED



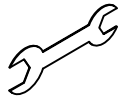
c\*24



g\*24

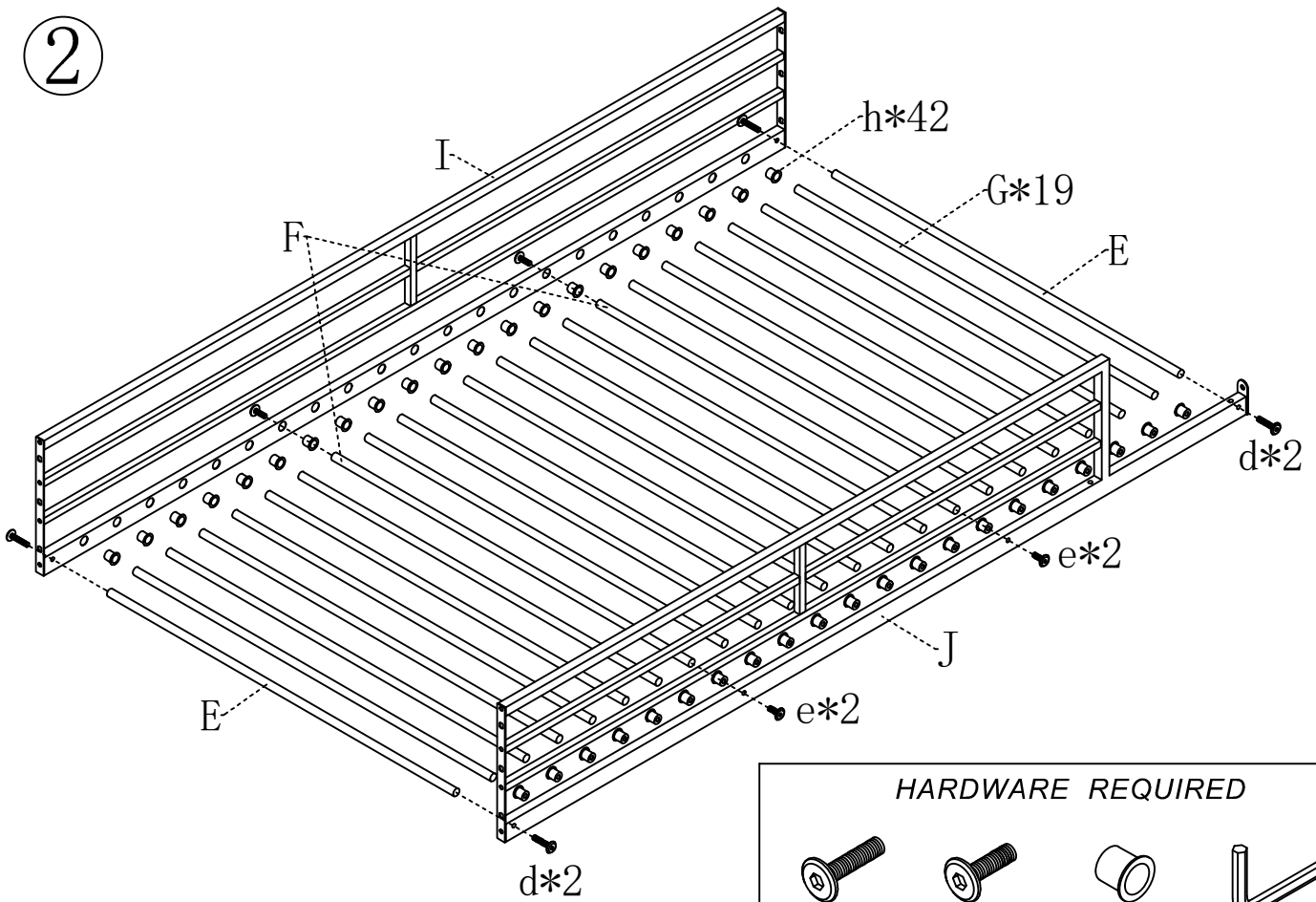


i\*1



j\*1

2



HARDWARE REQUIRED



d\*4



e\*4

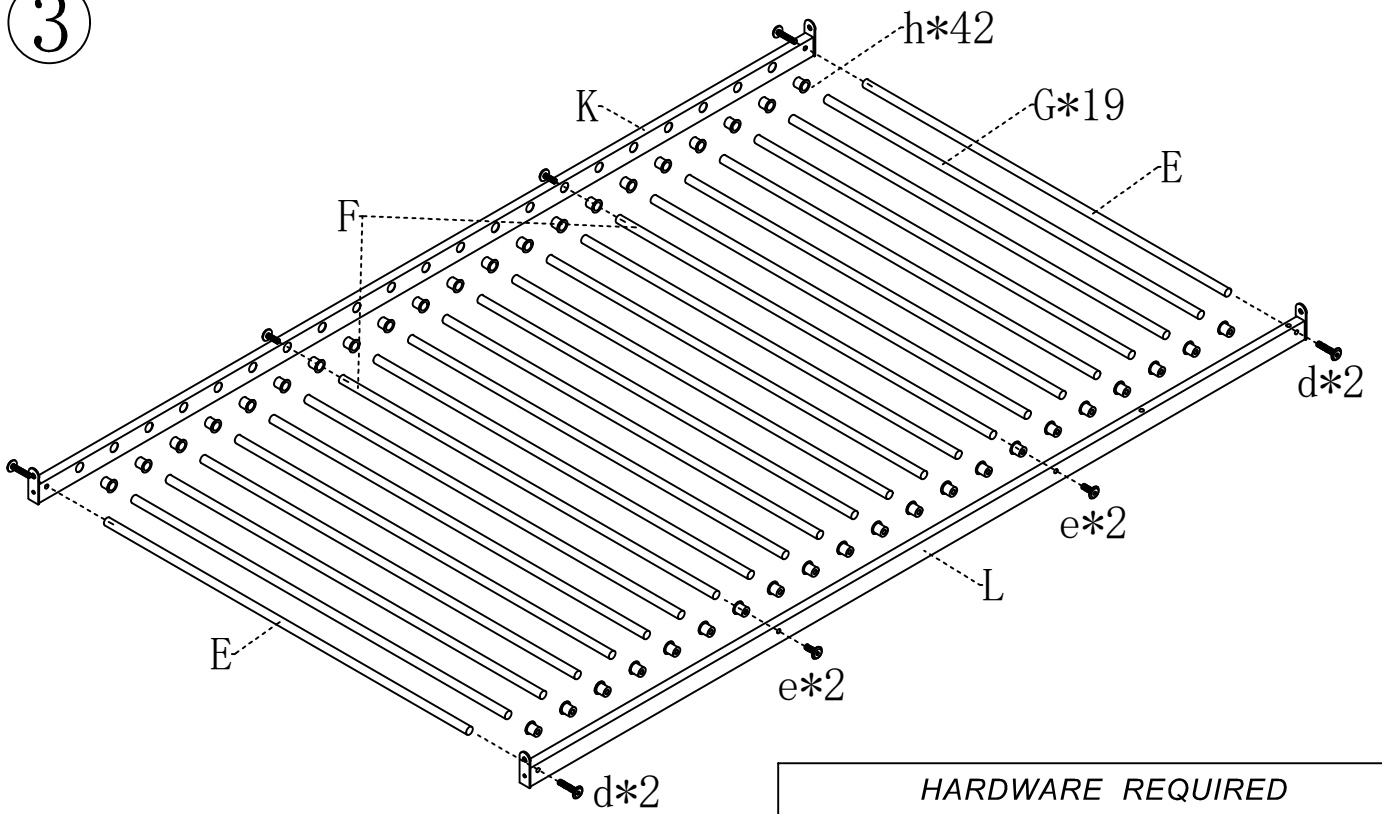


h\*42







i\*1

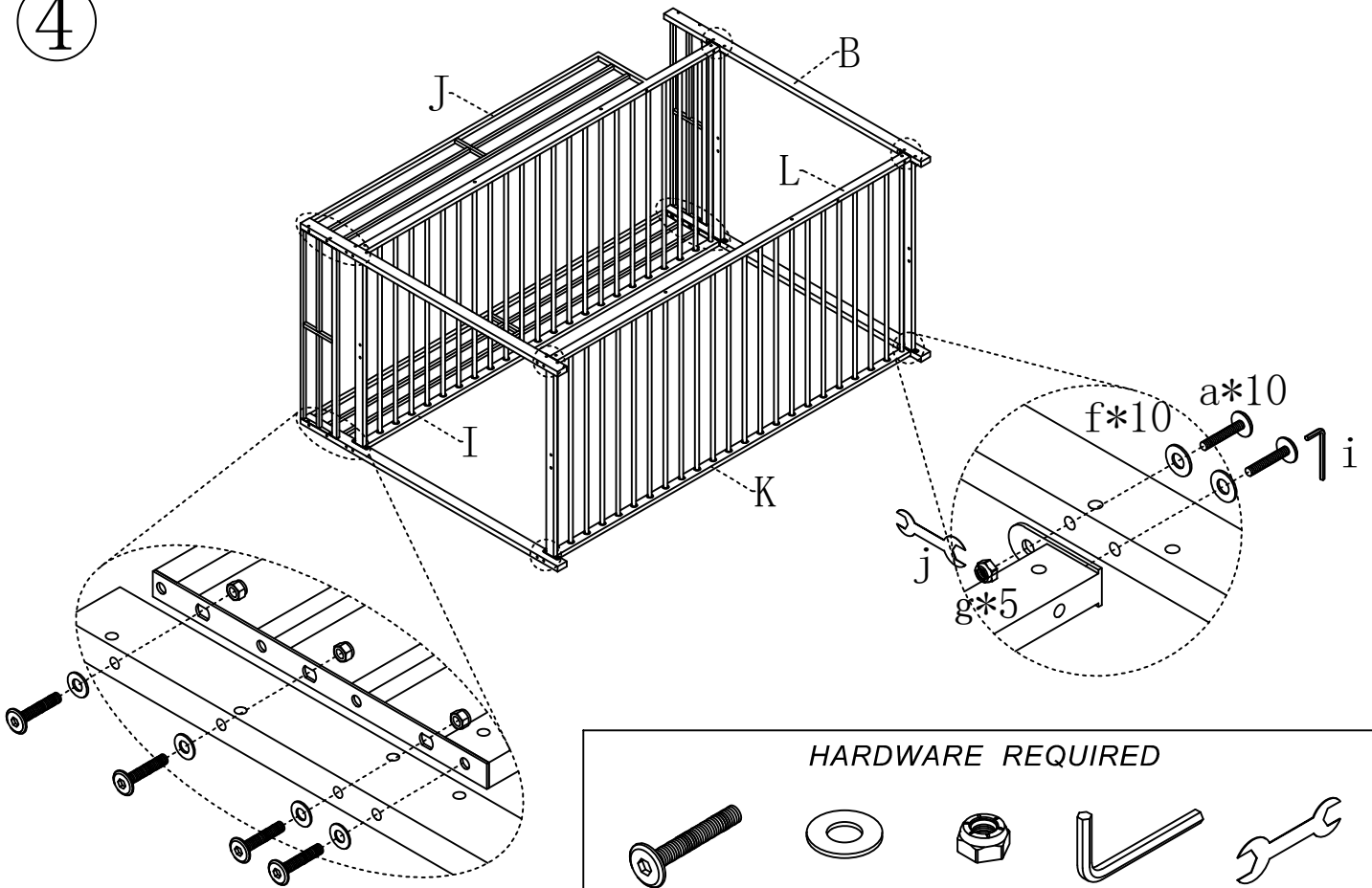
3








**HARDWARE REQUIRED**

			
d*4	e*4	h*42	i*1

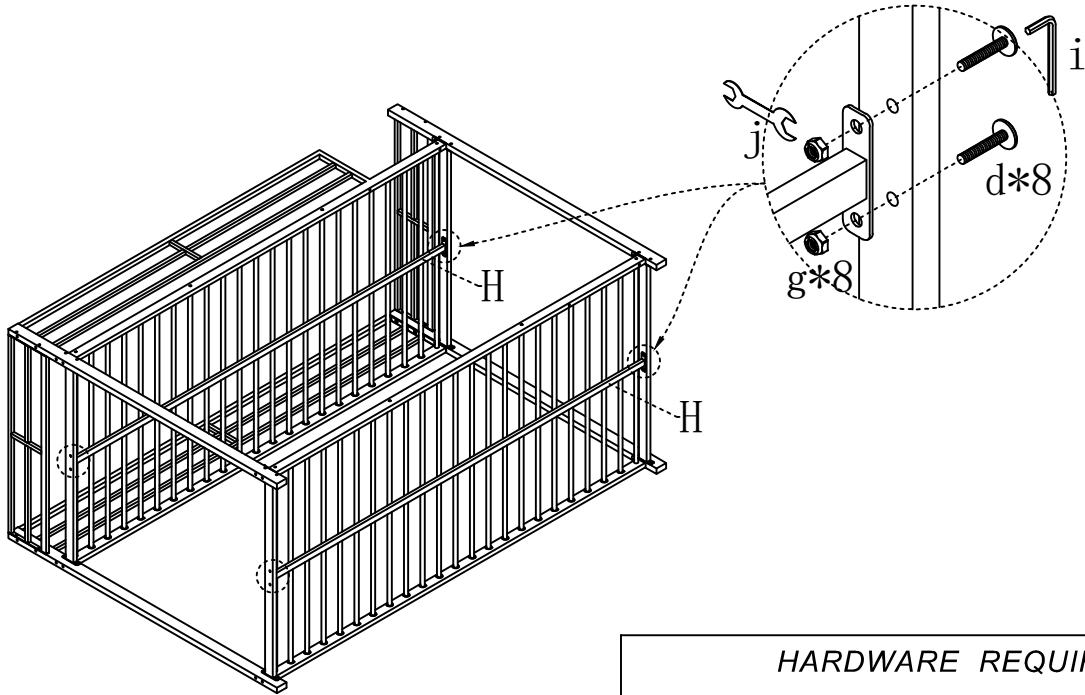
4



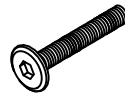
**HARDWARE REQUIRED**

				
a*22	f*22	g*14	i*1	j*1

5



HARDWARE REQUIRED



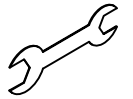
d\*8



g\*8

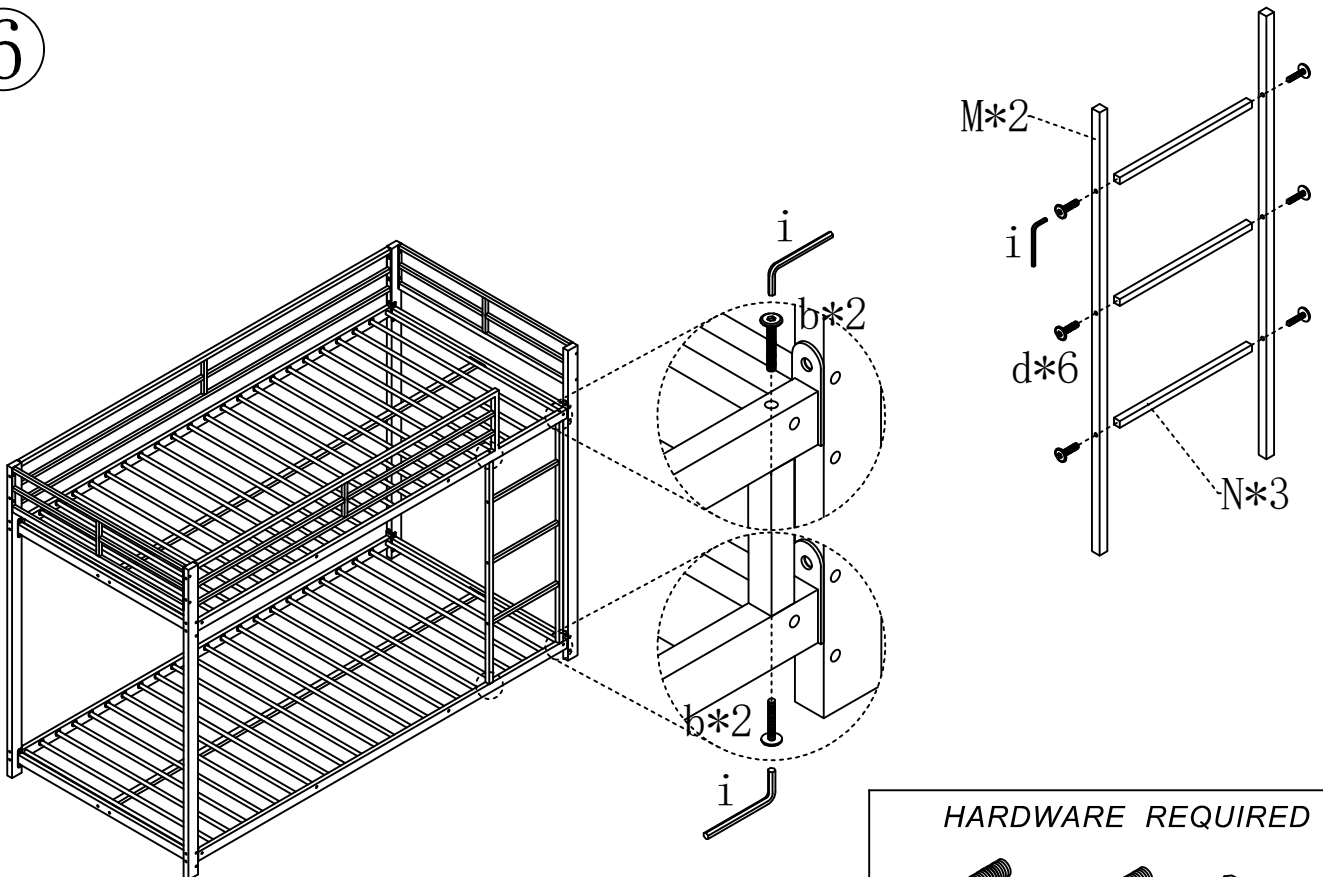


i\*1



j\*1

6



HARDWARE REQUIRED



b\*4



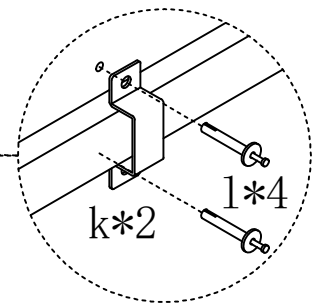
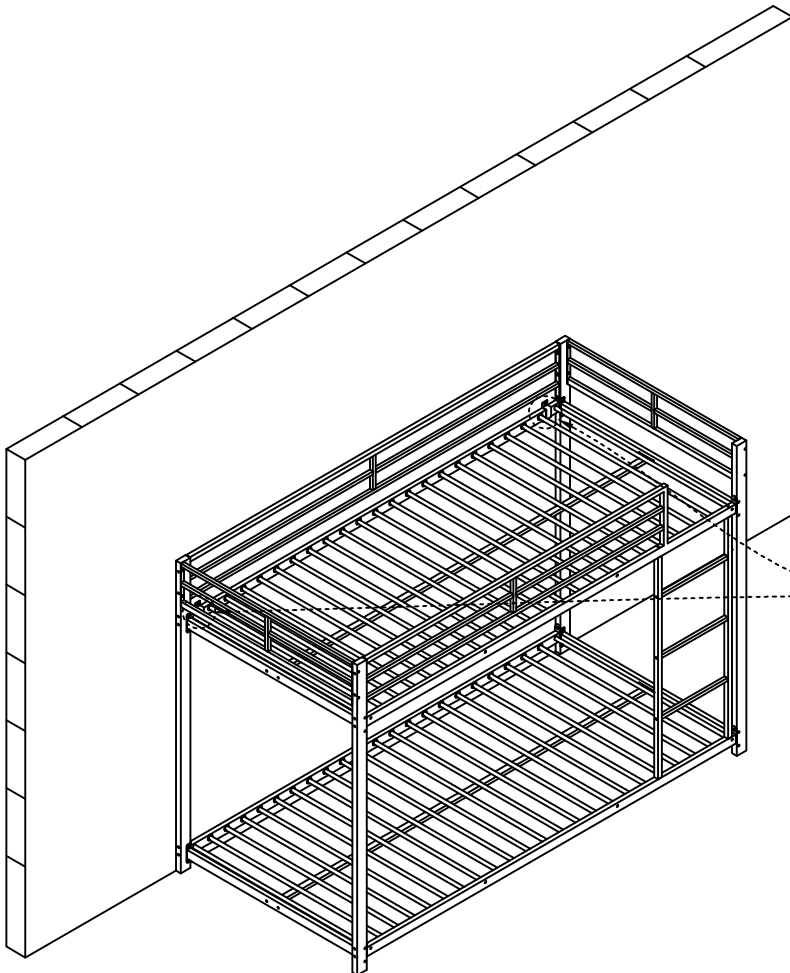
d\*6



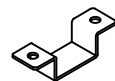
i\*1

7

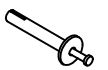
8



*HARDWARE REQUIRED*



k\*2



l\*4