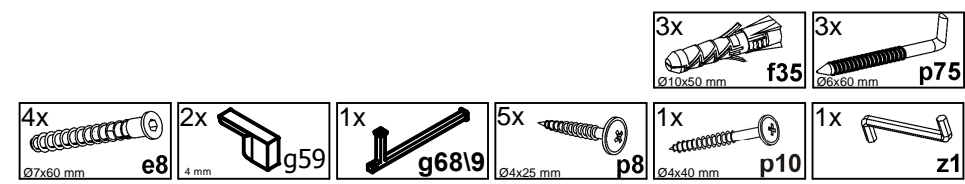
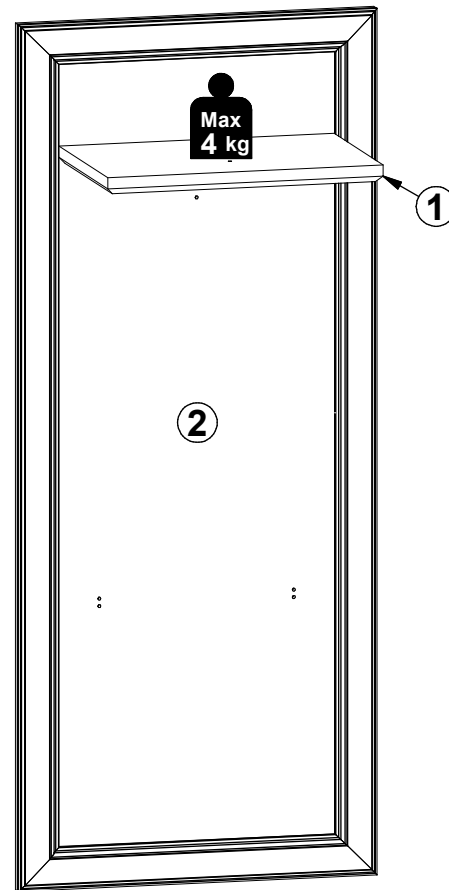
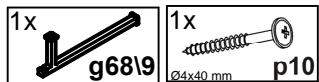
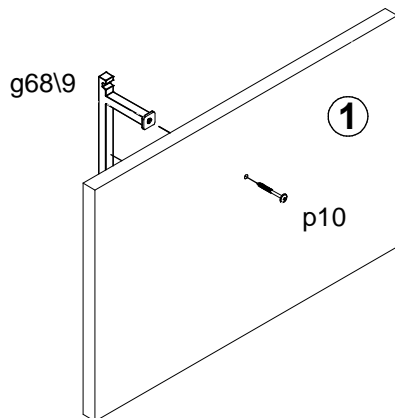
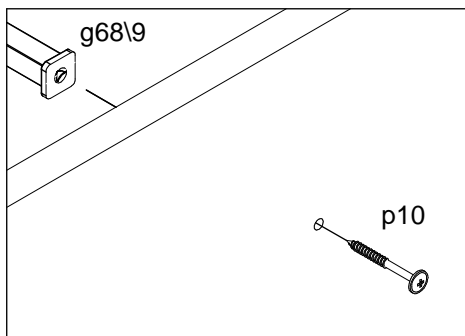


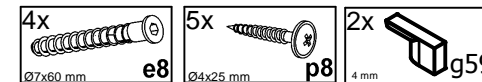
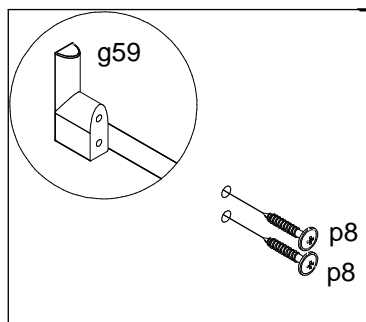
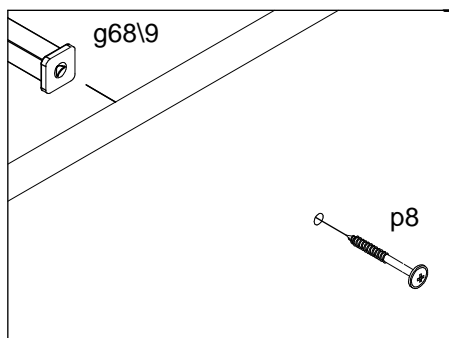
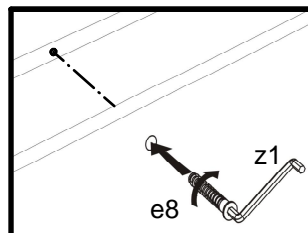
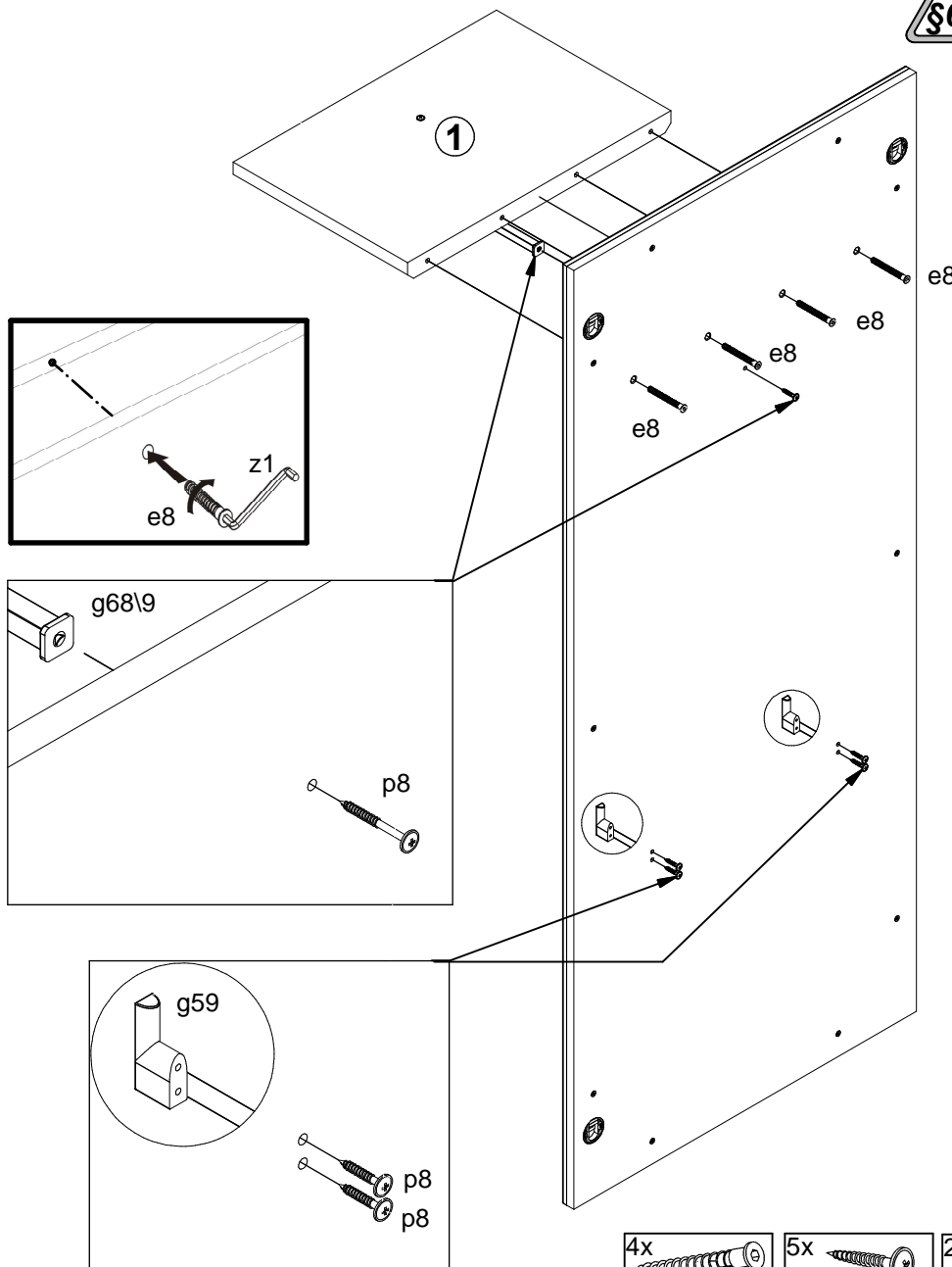
A	B	C1	C2	C3	D
1	M233-3005	453	300	28	1/1
2	M233-4502	1398	590	24,	1/1

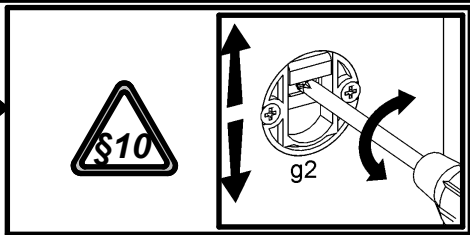
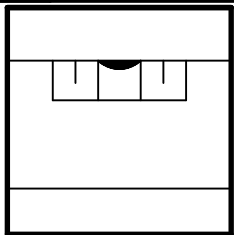


1



2





3

